

# ***GENERAL PURPOSE ENGINE***

GX620  
GX620K1  
GX620  
(PROPANE ENGINE)  
GX620K1  
(PROPANE ENGINE)

**PARTS CATALOGUE**

**7**



GX620



GX620K1

---

FOREWORD INDEX

**1**

---

ENGINE GROUP

**2**

---

PART NUMBER INDEX

**3**

---

PART NAME INDEX

**4**

---



**Instruction for use of parts catalogue**

- **This parts catalogue was prepared based on the latest information available as of March 20, 2005.**
  - See the parts catalogue news for any revision that is made after March 20, 2005.
- **Always specify the part number when ordering a part.**
  - Check the model, type, serial numbers, color, maker, and the size as needed before ordering a part.
  - Note that the illustrations (part drawings) can differ from the actual parts in shape. They are given just to help you to refer to the parts.
- **When modifications or additions to this parts catalogue are made, a revised edition will be issued at an appropriate time, with successively progressing revision numbers on the cover. We recommend obtaining such revisions in order to keep your parts catalogue up-to-date at all times. To check whether a parts catalogue revision has been issued, please contact your Honda distributor.**

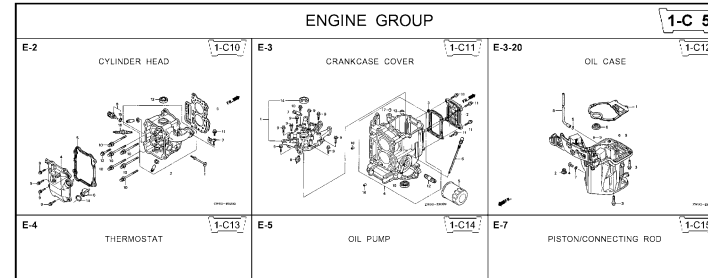
Initial version issue date **March 01, 1993**  
**Honda Motor Co., Ltd.**

**CONTENTS**

	Page	Address No.	
● Instruction for use of parts catalogue .....	1	B 1	<b>1</b>
● How to refer to the part information .....	2	B 2	
● Part catalogue structure .....	3	B 3	
● When the parts were revised .....	4	B 4	
● Abbreviations used in the parts catalogue .....	4	B 4	
● How to check the part block and serial numbers .....	5	B 5	
● Models, parts catalogue codes and applicable serial numbers .....	6	B 6	
● Features of each type .....	14	B14	
● Fuel hose, general purpose hoses and vinyl hose .....	26	C10	
● FLAT RATE SERVICE TIME .....	27	C11	
● Illustrated index .....	32	C16	
● ENGINE GROUP .....	39	E 1	<b>2</b>
● PART NO. INDEX .....	253	2-F 1	<b>3</b>
● PART NAME INDEX .....	259	2-G 1	<b>4</b>

How to refer to the part information

A Reference with "Illustrated index"



B Reference with "Part number index"

PART NO. INDEX

Part Number	Address	Page	Rel.	Part Number	Address	Page
06000				15212-ZW9-000	1-C14	3C
06316-ZW9-000	1-69	88	1	15220-ZW9-003	1-C14	3C
11000				15332-ZW9-000	1-E8	55
11300-ZW9-405	1-C11	27	1	15332-ZW9-A30	1-E11	58
11300-ZW9-406	1-C11	27	1	15400-PFB-004	1-C11	27
11340-ZW9-000	1-C11	27	2	15422-ZW9-000	1-C14	3C
11342-ZW9-000	1-C11	27	3	15473-881-000	1-C14	3C
11381-ZW9-003	1-C12	28	1	15474-ZW9-000	1-C14	3C
				15611-921-000	1-C10	2E
				15655-ZW9-000	1-C11	27
				16000		
12000				16010-ZV4-005	1-D4	3E
12000-ZW9-405ZA	1-C11	27	4	16011-ZV4-005	1-D4	3E
12155-ZV4-A00	1-C13	29	1	16013-ZW9-003	1-D4	3E
12166-ZW9-000	1-C10	26	1	16016-ZW9-003	1-D4	3E
12209-GB4-681	1-C16	32	1	16016-ZW9-721	1-D4	3E
12210-ZW9-405ZA	1-C10	26	2	16023-ZW9-003	1-D4	3E
12216-ZE2-300	1-E8	55	1	16024-ZV4-650	1-D4	3E
	1-E11	58	1	16028-ZV4-650	1-D4	3E

C Reference with "Part name index"

PART NAME INDEX

Part name	Address	Page	Ref.
[ A ]			
ABSORBER , FUEL	1-E15	62	5
ARMATURE COMP.	1-D11	43	7
ARM COMP. , LINK JOINT	1-G6	85	18
ARM COMP. , SHIFT LINK	1-G6	85	14
ARM COMP. , TILT	1-F15	79	20
ARM , FUEL PUMP ROCKER	1-C16	32	4
ARM , REVERSE LOCK	1-F15	79	18
ARM , SHIFT LINK	1-F11	74	7
ARM , STOPPER	1-D1	33	12
ARM , THROTTLE REMOTE	1-F11	74	6
ARM , VALVE ROCKER	1-C16	32	3
[ B ]			
BAG , TOOL , 160MM	1-G5	84	10
BAND	1-G6	86	37
BAND B1 , WIRE	1-F6	69	1
BAND , CORD	1-F3	67	18
BAND , TUBE CLIP , 11MM	1-E15	63	20
BAND , TUBE CLIP , 12.5MM	1-E15	63	19

Address No. 1-C10

E-2 CYLINDER HEAD

Block No.

Service item F.R.T.

- O-RING, 26X2.7 ..... 0.1
- PLUG, SPARK ..... 0.2
- O-RING, 9.5X1.5 ..... 0.2
- SENSOR ASSY., WATER TEMPERATURE COVER COMP., HEAD ..... 0.3
- PACKING, HEAD COVER ..... 1.8
- GASKET, CYLINDER HEAD ..... 2.4
- OIL SEAL, 20X32X6 ..... 2.4
- HEAD COMP., CYLINDER ..... 3.1

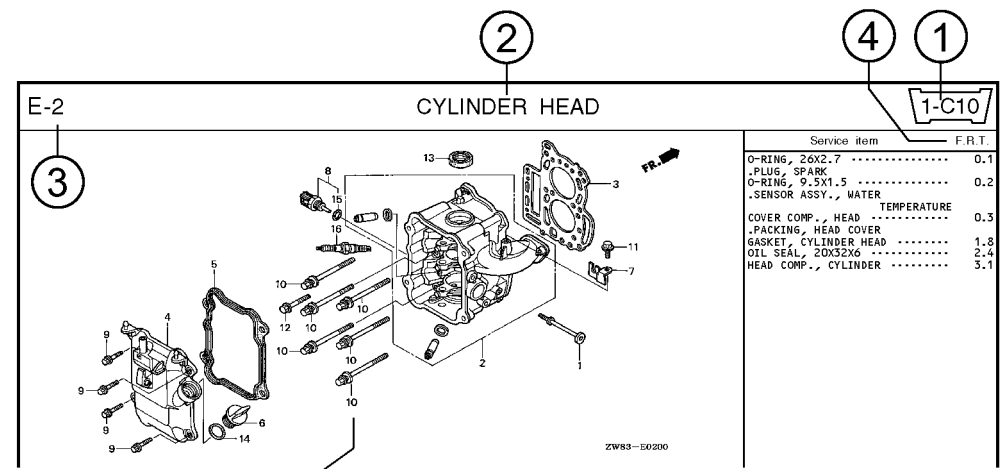
Ref No.

Ref. No.	Part No.	Description	Reqd. QTY						Serial No.	Parts catalogue code
			99D1	99D1	10D1	10D1	10B1	10B1		
1	12166-ZW9-000	STOPPER, ENGINE SIDE	2	2	2	2	2	2		
2	12210-ZW9-000ZA	HEAD COMP., CYLINDER	1	1	1	1	1	1		
3	12251-ZW9-003	GASKET, CYLINDER HEAD	1	1	1	1	1	1		
4	12310-ZW9-000	COVER COMP., HEAD	1	1	1	1	1	1		
5	12312-ZW9-000	PACKING, HEAD COVER	1	1	1	1	1	1		
6	15611-921-000	CAP, OIL (NO GAUGE)	1	1	1	1	1	1		
7	16617-ZW9-000	HOLDER, CABLE	1	1	1	1	1	1	SC,SG	
	16617-ZW9-010		1	1	1	1	1	1	1001800 LHC,LHD	
			1	1	1	1	1	1	1001801 LHC,LHD	
8	35673-ZW5-003	SENSOR ASSY., WATER	1	1	1	1	1	1		
9	90003-ZW9-000	BOLT, FLANGE, 6X22	4	4	4	4	4	4		
10	90007-ZW9-003	BOLT, FLANGE, 8X83	6	6	6	6	6	6		
11	90011-ZW9-000	BOLT, FLANGE, 6X14 (CT200)	1	1	1	1	1	1		
12	90020-ZW9-000	BOLT, FLANGE, 8X40	2	2	2	2	2	2		
13	91202-KJ9-003	OIL SEAL, 20X32X6	1	1	1	1	1	1		
14	91301-805-000	O-RING, 26X2.7	1	1	1	1	1	1		
15	91307-PK2-005	O-RING, 9.5X1.5 (HONDA KIKAKI)	1	1	1	1	1	1		
16	98059-55916	PLUG, SPARK (CR5EH-9)	2	2	2	2	2	2		
	98059-55926	PLUG, SPARK (U16FER9)	2	2	2	2	2	2		

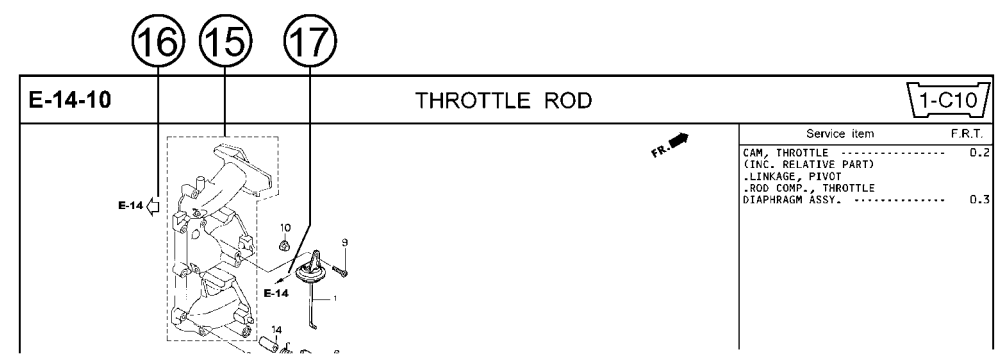
Page No.

2000.09.20 E

**Part catalogue structure**

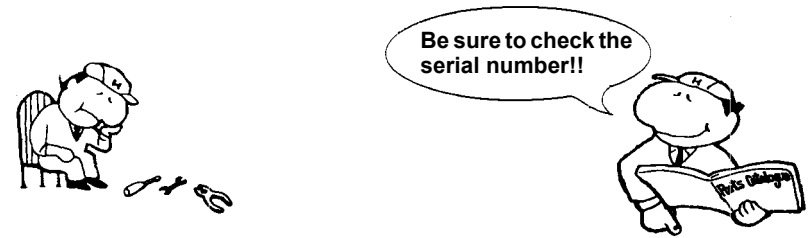


Ref. No.	Part No.	Description	Reqd. QTY						Serial No.	Parts catalogue code
			BF 9/901	BFP 9/901	BF 1001	BFP 1001	BF 1081	BFP 1081		
1	12166-zw9-000	STOPPER, ENGINE SIDE	2	2	2	2	2	2		
2	12210-zw9-000ZA	HEAD COMP., CYLINDER *NH8*	1	1	1	1	1	1		
3	12251-zw9-003	GASKET, CYLINDER HEAD	1	1	1	1	1	1		
4	12310-zw9-000	COVER COMP., HEAD	1	1	1	1	1	1		
5	12312-zw9-000	PACKING, HEAD COVER	1	1	1	1	1	1		
6	15611-921-000	CAP, OIL (NO GAUGE)	1	1	1	1	1	1		
7	16617-zw9-000	HOLDER, CABLE	1	1	1	1	1	1	SC,S6	
	16617-zw9-010		1	1	1	1	1	1	1001800 LHC,LHD	



- ① **Address number**
  - Address No. is provided (in place of the page No.) to help you refer to the part with the part No. or part name.
- ② **Block title** ③ **Block number**
- ④ **Service item/Flat rate time**
- ⑤ **Reference number**
  - Title number marked with the parenthesis or parentheses indicates that it continues from the previous page.
- ⑥ **Part number** ⑦ **Honda color code**
- ⑧ **Description**
- ⑨ **Assemblies**
  - Sections framed with broken lines in the exploded view drawings are available as complete assemblies. (Their individual parts can also be obtained.)
- ⑩ **Color description**
- ⑪ **Note**
  - Notes are shown with the parentheses in the part name column.
- ⑫ **Required quantity**
  - Required QTY shown in the parenthesis or parentheses indicates the optional part.
  - Required QTY marked with "N" Indicates the optional part that should be selected as needed.
  - Required QTY indicates the number of the part used in the block.
- ⑬ **Serial number**
- ⑭ **Type**
  - When the type column is blank, it indicates that the part is applicable to all types.
  - As the type of the actual unit may differ from the "parts catalogue, type" please refer to "Models, types and applicable serial numbers" for confirmation.
- ⑮ **[Dotted box]**
  - Parts enclosed within a dotted line [ ] are covered in a different block.
- ⑯ **[Hollow arrow]**
  - A hollow arrow [ ] indicates the block No. for the parts enclosed within a dotted line [ ] .
- ⑰ **[Solid arrow]**
  - A solid arrow [ ] indicates the block No. the part in question is connected to.

**When the parts were revised**



Ref. No.	Part No.	Description	Reqd. QTY						Serial No.
			BF 99D1	BFP 9.9D1	BF 10D1	BFP 10D1	BF 10B1	BFP 10B1	
1	12166-ZW9-000	STOPPER, ENGINE SIDE .....	2	2	2	2	2	2	
2	12210-ZW9-000ZA	HEAD COMP., CYLINDER *NH8*.....DARK GRAY	1	1	1	1	1	1	
3	12251-ZW9-003	GASKET, CYLINDER HEAD .....	1	1	1	1	1	1	
4	12310-ZW9-000	COVER COMP., HEAD .....	1	1	1	1	1	1	
5	12312-ZW9-000	PACKING, HEAD COVER .....	1	1	1	1	1	1	
6	15611-921-000	CAP, OIL (NO GAUGE) .....	1	1	1	1	1	1	
7	16617-ZW9-000	HOLDER, CABLE (###).....	1	1	1	1	1	1	
	16617-ZW9-010	.....	1	1	1	1	1	1	

The number has been used from the initial model without revision.

When shown at the left side, it is applicable to the models of No.1001801 and the subsequent numbers.

When shown at the right side, it is applicable to the models up to No.1001800.

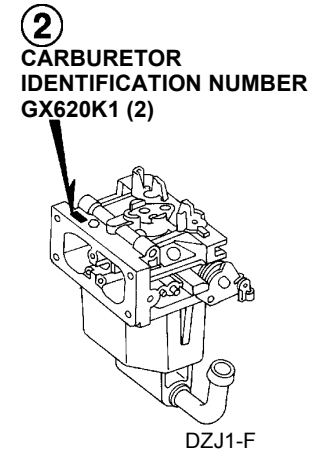
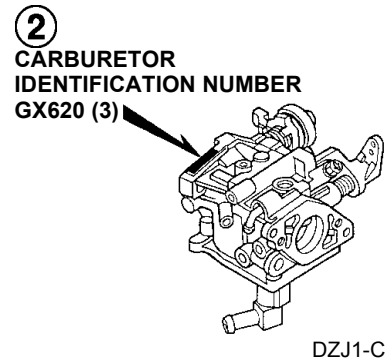
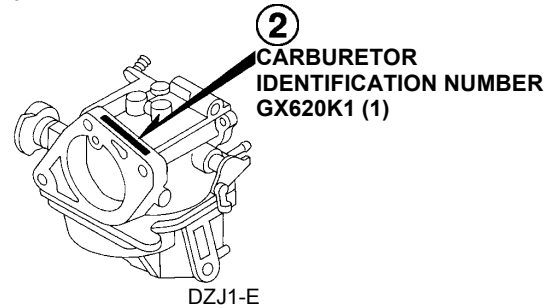
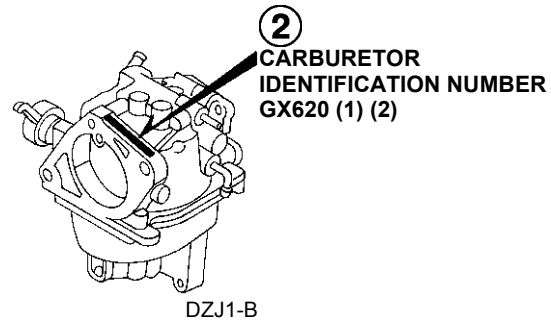
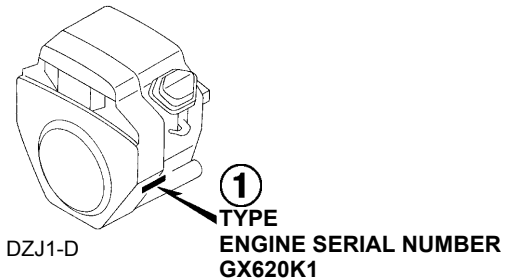
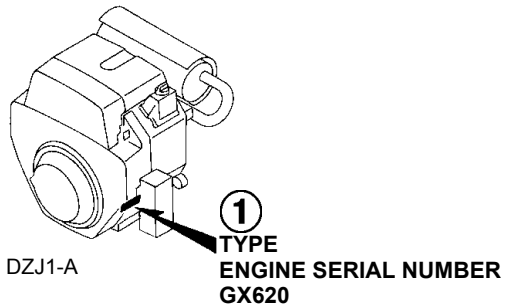
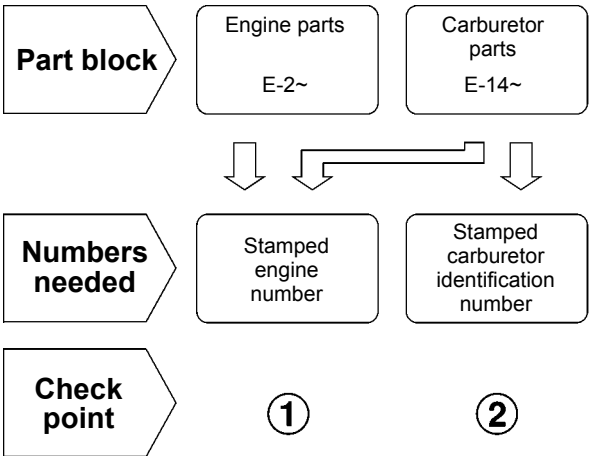
• The parts listed with "###" at the end of the parts name have limited supply period (parts not for sale).

**Abbreviations used in the parts catalogue**

• The following abbreviations are used in the parts name column.

- A ..... Ampere
- A.C. .... Alternating current
- ASSY. .... Assembly
- AT. .... Automatic transmission
- C.D.I. .... Capacitive discharge ignition
- COMP. ... Complete
- D.C. .... Direct current
- EX. .... Exhaust
- G.F.C.I ... Ground fault circuit interruptor
- HEX. .... Hexagonal
- H.S.T. .... Hydrostatic transmission
- FR. ....Front
- IN. ....Inlet
- L (100L) .Link (100 Links)
- L. ....Left
- MM .....Millimeter
- MT. ....Manual Transmission
- P.T.O. ....Power take off
- R. ....Right
- RR. ....Rear
- STD. ....Standard
- T (22T) ...Tooth (22 Teeth)
- V .....Volt
- W .....Watt

How to check the part block and serial numbers





Models, parts catalogue codes and applicable serial numbers

• Models, parts catalogue codes and applicable serial Nos. given in this parts catalogue can be identified as follows.

Model	Type	Parts catalogue type	Applicable engine serial No.	Applicable carburetor identification No.	Model	Type	Parts catalogue type	Applicable engine serial No.	Applicable carburetor identification No.
GX620 (1)	QAB	QAB	GCAD-1000001~1999999	BG22A A / B / C	GX620 (1)	QDF4	QDF4	GCAD-1000001~1999999	BG22A A / B / C
	QAB4	QAB4	GCAD-1000001~1081031			QDF6	QDF6	GCAD-1000001~1999999	
	QAB6	QAB6	GCAD-1000001~1999999			QDW	QDW	GCAD-1000001~1081031	
	QAC6	QAC6	GCAD-1000001~1081031			QXA	QXA	GCAD-1000001~1999999	
	QAF	QAF	GCAD-1000001~1999999			QXA1	QXA1	GCAD-1000001~1101292	
	QAF1	QAF1	GCAD-1000001~1097532			QXA3	QXA3	GCAD-1000001~1097508	
	QAF2	QAF2	GCAD-1000001~1097898			QXA4	QXA4	GCAD-1000001~1999999	
	QAF3	QAF3	GCAD-1000001~1087928			QXA6	QXA6	GCAD-1000001~1999999	
	QAF4	QAF4	GCAD-1000001~1081031			QXB1	QXB1	GCAD-1000001~1097610	
	QAF5	QAF5	GCAD-1000001~1999999			QXC4	QXC4	GCAD-1000001~1999999	
	QAF6	QAF6		QXE1		QXE1			
	QAF7	QAF7		QXE3		QXE3			
	QAF8	QAF8		QXF1		QXF1	GCAD-1000001~1081031		
	QAP2	QAP2	GCAD-1000001~1099686	BG22A C		QXF3	QXF3	GCAD-1000001~1999999	
	QDA1	QDA1	GCAD-1000001~1999999	BG22A A / B / C		QXF6	QXF6		
QDE1	QDE1	QYA		QYA	GCAD-1000001~1081031				
QDF	QDF	QYA4		QYA4					

Model	Type	Parts catalogue type	Applicable engine serial No.	Applicable carburetor identification No.	Model	Type	Parts catalogue type	Applicable engine serial No.	Applicable carburetor identification No.	
GX620 (1)	QYF	QYF	GCAD- 1000001~1999999	BG22A A / B / C	GX620 (1)	VXZ4	VXZ4	GCAD- 1000001~1999999	BG22D B	
	QYF4	QYF4				GCAD- 1000001~1081031	BG22B A / B BG22F A BG22A C BG22A A / B / C		VYA1	VYA1
	QYF6	QYF6	VYA3	VYA3						
	QZX4	QZX4	VZA1	VZA1						
	QZZ	QZZ	VZA3	VZA3						
	SAE1	SAE1	VZD	VZD						
	SAF1	SAF1	VZE1	VZE1						
	TXF2	TXF2	VZE5	VZE5		GCAD- 1000001~1999999	BG22D A / B			
	VAF	VAF	VZE7	VZE7						
	VAF4	VAF4	VZE8	VZE8						
	VAF6	VAF6	VZF1	VZF1						
	VXA1	VXA1	GCAD- 1000001~1099191	BG22A A / B / C		GX620 (2)	Q1	Q1	GCAD- 1000001~1081031	BG22A A / B
	VXA3	VXA3	GCAD- 1000001~1088368				S1	S1		
	VXE1	VXE1	GCAD- 1000001~1999999	BG22A A / B / C			V1	V1		
	VXE2	VXE2		BG22C B		GX620K1 (1)	QAB	QAB	GCAD- 2000001~2159999	BG22G A
	VXE4	VXE4		BG22C A / B				QAB/A	GCAD- 2160001~	
VXE8	VXE8	BG22C B		QAB6	QAB6		GCAD- 2000001~2159999			

1

Model	Type	Parts catalogue type	Applicable engine serial No.	Applicable carburetor identification No.	Model	Type	Parts catalogue type	Applicable engine serial No.	Applicable carburetor identification No.
GX620K1 (1)	QAB6	QAB6/A	GCAD-2160001~	BG22G A	GX620K1 (1)	QAF9	QAF9	GCAD-2000001~2159999	BG22G A
	QAD2	QAD2	GCAD-2000001~2159999	BG22R A			QAF9/A	GCAD-2160001~	
		QAD2/A	GCAD-2160001~			QAX1	QAX1	GCAD-2000001~2159999	
	QAF	QAF	GCAD-2000001~2159999	BG22G A			QAX1/A	GCAD-2160001~	
		QAF/A	GCAD-2160001~			QDF	QDF	GCAD-2000001~2159999	
	QAF1	QAF1	GCAD-2000001~2159999	BG22G A			QDF/A	GCAD-2160001~	
		QAF1/A	GCAD-2160001~			QDF6	QDF6	GCAD-2000001~2159999	
	QAF2	QAF2	GCAD-2000001~2159999	BG22M A			QDF6/A	GCAD-2160001~	
		QAF2/A	GCAD-2160001~			QDP2	QDP2	GCAD-2000001~2159999	
	QAF5	QAF5	GCAD-2000001~2159999	BG22G A			QDP2/A	GCAD-2160001~	
		QAF5/A	GCAD-2160001~			QDW	QDW	GCAD-2000001~2159999	
	QAF6	QAF6	GCAD-2000001~2159999	BG22G A			QDW/A	GCAD-2160001~	
		QAF6/A	GCAD-2160001~			QWA6	QWA6	GCAD-2000001~2159999	
	QAF7	QAF7	GCAD-2000001~2159999	BG22G A			QWA6/A	GCAD-2160001~	
		QAF7/A	GCAD-2160001~			QWF6	QWF6	GCAD-2000001~2159999	
	QAF8	QAF8	GCAD-2000001~2159999	BG22G A			QWF6/A	GCAD-2160001~	
QAF8/A		GCAD-2160001~	QXA		QXA	GCAD-2000001~2159999			

Model	Type	Parts catalogue type	Applicable engine serial No.	Applicable carburetor identification No.	
GX620K1 (1)	QXA	QXA/A	GCAD-2160001~	BG22G A	
	QXA3	QXA3	GCAD-2000001~2159999		
		QXA3/A	GCAD-2160001~		
	QXA6	QXA6	GCAD-2000001~2159999		
		QXA6/A	GCAD-2160001~		
	QXB1	QXB1	GCAD-2000001~2159999		
		QXB1/A	GCAD-2160001~		
	QXC2	QXC2	GCAD-2000001~2159999		
		QXC2/A	GCAD-2160001~		
	QXE1	QXE1	GCAD-2000001~2159999		
		QXE1/A	GCAD-2160001~		
	QXE4	QXE4	GCAD-2000001~2159999		BG22M A
		QXE4/A	GCAD-2160001~		
	QXE5	QXE5	GCAD-2000001~2159999		BG22G A
		QXE5/A	GCAD-2160001~		
QXE7	QXE7	GCAD-2000001~2159999	BG22J A		
	QXE7/A	GCAD-2160001~			

Model	Type	Parts catalogue type	Applicable engine serial No.	Applicable carburetor identification No.	
GX620K1 (1)	QXE8	QXE8	GCAD-2000001~2159999	BG22J A	
		QXE8/A	GCAD-2160001~		
	QXF	QXF	GCAD-2000001~2159999	BG22G A	
		QXF/A	GCAD-2160001~		
	QXF3	QXF3	GCAD-2000001~9999999		
	QXF4	QXF4	GCAD-2000001~2159999		
		QXF4/A	GCAD-2160001~		
	QXF6	QXF6	GCAD-2000001~2159999		
		QXF6/A	GCAD-2160001~		
	QXF8	QXF8	GCAD-2000001~2159999		BG22J A
		QXF8/A	GCAD-2160001~		
	QXW2	QXW2	GCAD-2000001~2159999		
		QXW2/A	GCAD-2160001~		
	QXW4	QXW4	GCAD-2000001~2159999		
		QXW4/A	GCAD-2160001~		
QYA	QYA	GCAD-2000001~2159999	BG22G A		
	QYA/A	GCAD-2160001~			

1

Model	Type	Parts catalogue type	Applicable engine serial No.	Applicable carburetor identification No.	Model	Type	Parts catalogue type	Applicable engine serial No.	Applicable carburetor identification No.
GX620K1 (1)	QYD	QYD	GCAD- 2000001~2159999	BG22G A	GX620K1 (1)	QZF1	QZF1/A	GCAD- 2160001~	BG22G A
		QYD/A	GCAD- 2160001~			QZF2	QZF2	GCAD- 2000001~2159999	
	QYF	QYF	GCAD- 2000001~2159999			QZF2/A	GCAD- 2160001~		
		QYF/A	GCAD- 2160001~			QZF8	QZF8	GCAD- 2000001~2159999	
	QZB	QZB	GCAD- 2000001~2159999				QZF8/A	GCAD- 2160001~	
		QZB/A	GCAD- 2160001~			QZX1	QZX1	GCAD- 2000001~2159999	
	QZB2	QZB2	GCAD- 2000001~2159999				QZX1/A	GCAD- 2160001~	
		QZB2/A	GCAD- 2160001~			QZX4	QZX4	GCAD- 2000001~2159999	
	QZB3	QZB3	GCAD- 2000001~2159999		QZX4/A		GCAD- 2160001~		
		QZB3/A	GCAD- 2160001~		QZX5	QZX5	GCAD- 2000001~2159999		
	QZD	QZD	GCAD- 2000001~2159999			QZX5/A	GCAD- 2160001~		
		QZD/A	GCAD- 2160001~		SAE1	SAE1	GCAD- 2000001~2159999		
	QZE3	QZE3	GCAD- 2000001~2159999			SAE1/A	GCAD- 2160001~		
		QZE3/A	GCAD- 2160001~		SAF1	SAF1	GCAD- 2000001~2159999		
	QZE4	QZE4	GCAD- 2000001~2159999			SAF1/A	GCAD- 2160001~		
		QZE4/A	GCAD- 2160001~		SYA	SYA	GCAD- 2000001~2159999		
QZF1	QZF1	GCAD- 2000001~2159999	SYA/A	GCAD- 2160001~					

Model	Type	Parts catalogue type	Applicable engine serial No.	Applicable carburetor identification No.
GX620K1 (1)	TXF2	TXF2	GCAD-2000001~2159999	BG22M A
		TXF2/A	GCAD-2160001~	
	VAB2	VAB2	GCAD-2000001~2159999	BG22T A
		VAB2/A	GCAD-2160001~	
	VAB3	VAB3	GCAD-2000001~2159999	
		VAB3/A	GCAD-2160001~	
	VAF	VAF	GCAD-2000001~2159999	BG22G A
		VAF/A	GCAD-2160001~	
	VAF6	VAF6	GCAD-2000001~2159999	
		VAF6/A	GCAD-2160001~	
	VDB2	VDB2	GCAD-2000001~2159999	BG22N A
		VDB2/A	GCAD-2160001~	
	VDC2	VDC2	GCAD-2000001~2159999	
		VDC2/A	GCAD-2160001~	
	VEP4	VEP4	GCAD-2000001~2159999	BG22G A
		VEP4/A	GCAD-2160001~	
VXA1	VXA1	GCAD-2000001~2159999		

Model	Type	Parts catalogue type	Applicable engine serial No.	Applicable carburetor identification No.
GX620K1 (1)	VXA1	VXA1/A	GCAD-2160001~	BG22G A
	VXA4	VXA4	GCAD-2000001~2159999	BG22N A
		VXA4/A	GCAD-2160001~	
	VXA5	VXA5	GCAD-2000001~2159999	BG22P A
		VXA5/A	GCAD-2160001~	
	VXA6	VXA6	GCAD-2000001~2159999	
		VXA6/A	GCAD-2160001~	
	VXD4	VXD4	GCAD-2000001~2159999	
		VXD4/A	GCAD-2160001~	
	VXE1	VXE1	GCAD-2000001~2159999	BG22G A
		VXE1/A	GCAD-2160001~	
	VXE2	VXE2	GCAD-2000001~2159999	BG22N A
		VXE2/A	GCAD-2160001~	
	VXE4	VXE4	GCAD-2000001~2159999	BG22G A
		VXE4/A	GCAD-2160001~	
	VXE8	VXE8	GCAD-2000001~2159999	
VXE8/A		GCAD-2160001~		

1

Model	Type	Parts catalogue type	Applicable engine serial No.	Applicable carburetor identification No.
GX620K1 (1)	VXF	VXF	GCAD-2000001~2159999	BG22G A
		VXF/A	GCAD-2160001~	
	VXF4	VXF4	GCAD-2000001~2159999	
		VXF4/A	GCAD-2160001~	
	VXP2	VXP2	GCAD-2000001~2159999	
		VXP2/A	GCAD-2160001~	
	VXZ4	VXZ4	GCAD-2000001~2159999	BG22K A
		VXZ4/A	GCAD-2160001~	
	VYA1	VYA1	GCAD-2000001~9999999	BG22G A
	VYA3	VYA3	GCAD-2000001~2159999	
		VYA3/A	GCAD-2160001~	
	VYE3	VYE3	GCAD-2000001~2159999	
		VYE3/A	GCAD-2160001~	
	VZA1	VZA1	GCAD-2000001~9999999	
VZE7	VZE7	GCAD-2000001~2159999		
	VZE7/A	GCAD-2160001~		

Model	Type	Parts catalogue type	Applicable engine serial No.	Applicable carburetor identification No.
GX620K1 (1)	VZE8	VZE8	GCAD-2000001~2159999	BG22G A
		VZE8/A	GCAD-2160001~	
GX620 (3) (Propane)	QAFP	QAFP	GDAH-1000001~1000913	BGL1A A
	QAFU	QAFU		
	QXAP	QXAP	GDAH-1000001~9999999	
	QXAU	QXAU		
	VABP	VABP		
	VAFP	VAFP		
	VAFU	VAFU	GDAH-1000001~1000913	
	VXAP	VXAP		
VXAU	VXAU			

Model	Type	Parts catalogue type	Applicable engine serial No.	Applicable carburetor identification No.
GX620K1 (2) (Propane)	VXC	VXC	GDABM- 1000001~1009999	BKL0A A
		VXC/A	GDABM- 1010001~	
	VXC1	VXC1	GDABM- 1000001~1009999	
		VXC1/A	GDABM- 1010001~	
	VXC2	VXC2	GDABM- 1000001~1009999	
		VXC2/A	GDABM- 1010001~	

\* Of carburetor identification numbers, only the portions underlined in the example below are used for registration.

GX620 (1) (2) GX620K1 (1) BG22A **A** KC †

GX620 (3) BGL1A **A** KC †

GX620K1 (2) BKL0A **A** KC †



Features of each type

• See the following table for the features of each type.

Model		GX620													
		Standard equipment (1)													
Specifications	Type	QAB	QAB4	QAB6	QAC6	QAF	QAF1	QAF2	QAF3	QAF4	QAF5	QAF6	QAF7	QAF8	QAP2
		Crankshaft	25mm Ø Straight (L=130.5)												
25mm Ø Straight (L=133.5)															
25.4mm Ø Straight (L=139.5)															
25.4mm Ø Straight (L=142.5)	●		●	●	●	●	●	●	●	●	●	●	●	●	●
28.575mm Ø Straight (L=163.5)															
28.575mm Ø Straight (L=166.5)															
M10 Tapered (L=160)															
M10 Tapered (L=163)															
5/16" Tapered (L=160)															
5/16" Tapered (L=163)															
3/8" Tapered (L=105.5)															
7/16" Tapered (L=160)															
Oil alert															
Fuel tank															●
Control box							●		●			●			
Recoil starter															
Starter motor		●	●	●	●	●	●	●	●	●	●	●	●	●	●
Auto throttle															
Battery															
Oil cooler															
Winter kit															

1

Specifications		Model	GX620													
		Type	Standard equipment (1)													
			QDA1	QDE1	QDF	QDF4	QDF6	QDW	QXA	QXA1	QXA3	QXA4	QXA6	QXB1	QXC4	QXE1
Crankshaft	25mm Ø Straight (L=130.5)															
	25mm Ø Straight (L=133.5)															
	25.4mm Ø Straight (L=139.5)															
	25.4mm Ø Straight (L=142.5)	●	●	●	●	●	●	●	●	●	●	●	●	●	●	●
	28.575mm Ø Straight (L=163.5)															
	28.575mm Ø Straight (L=166.5)															
	M10 Tapered (L=160)															
	M10 Tapered (L=163)															
	5/16" Tapered (L=160)															
	5/16" Tapered (L=163)															
	3/8" Tapered (L=105.5)															
7/16" Tapered (L=160)																
Oil alert																
Fuel tank																
Control box		●	●						●	●	●	●	●		●	●
Recoil starter																
Starter motor		●	●	●	●	●	●	●	●	●	●	●	●	●	●	●
Auto throttle																
Battery																
Oil cooler																
Winter kit																

Specifications		Model	GX620															
		Type	Standard equipment (1)															
			QXE3	QXF1	QXF3	QXF6	QYA	QYA4	QYF	QYF4	QYF6	QZX4	QZZ	SAE1	SAF1	TXF2		
Crankshaft	25mm Ø Straight (L=130.5)																	
	25mm Ø Straight (L=133.5)													●	●			
	25.4mm Ø Straight (L=139.5)																	
	25.4mm Ø Straight (L=142.5)	●	●	●	●	●	●	●	●	●	●	●						
	28.575mm Ø Straight (L=163.5)																	
	28.575mm Ø Straight (L=166.5)																●	
	M10 Tapered (L=160)																	
	M10 Tapered (L=163)																	
	5/16" Tapered (L=160)																	
	5/16" Tapered (L=163)																	
	3/8" Tapered (L=105.5)																	
7/16" Tapered (L=160)																		
Oil alert																		
Fuel tank																●		
Control box		●			●	●	●										●	
Recoil starter												●	●					
Starter motor		●	●	●	●	●	●	●	●	●				●	●	●		
Auto throttle																		
Battery																		
Oil cooler																		
Winter kit																		

Specifications		Model	GX620													
		Type	Standard equipment (1)													
		VAF	VAF4	VAF6	VXA1	VXA3	VXE1	VXE2	VXE4	VXE8	VXZ4	VYA1	VYA3	VZA1	VZA3	
Crankshaft	25mm Ø Straight (L=130.5)															
	25mm Ø Straight (L=133.5)															
	25.4mm Ø Straight (L=139.5)															
	25.4mm Ø Straight (L=142.5)															
	28.575mm Ø Straight (L=163.5)															
	28.575mm Ø Straight (L=166.5)															
	M10 Tapered (L=160)															
	M10 Tapered (L=163)															
	5/16" Tapered (L=160)															
	5/16" Tapered (L=163)	●	●	●	●	●	●	●	●	●	●	●	●	●	●	●
	3/8" Tapered (L=105.5)															
7/16" Tapered (L=160)																
Oil alert																
Fuel tank												●	●	●	●	
Control box					●		●	●	●							
Recoil starter									●		●	●	●	●	●	
Starter motor		●	●	●	●	●	●	●	●	●		●	●	●	●	
Auto throttle																
Battery																
Oil cooler																
Winter kit																

1

Specifications		Model	GX620									
		Type	Standard equipment (1)					Selective equipment (2)				
			VZD	VZE1	VZE5	VZE7	VZE8	VZF1	Q1	S1	V1	
Crankshaft	25mm Ø Straight (L=130.5)											
	25mm Ø Straight (L=133.5)										●	
	25.4mm Ø Straight (L=139.5)											
	25.4mm Ø Straight (L=142.5)								●			
	28.575mm Ø Straight (L=163.5)											
	28.575mm Ø Straight (L=166.5)											
	M10 Tapered (L=160)											
	M10 Tapered (L=163)		●	●	●	●						
	5/16" Tapered (L=160)											
	5/16" Tapered (L=163)	●						●				●
	3/8" Tapered (L=105.5)											
7/16" Tapered (L=160)												
Oil alert												
Fuel tank												
Control box		●							(●)	(●)	(●)	
Recoil starter		●	●	●	●	●	●					
Starter motor		●	●	●	●	●	●	●	●	●	●	
Auto throttle												
Battery			●		●	●						
Oil cooler												
Winter kit												

Specifications		Model	GX620K1													
		Type	Standard equipment (1)													
			QAB	QAB6	QAD2	QAF	QAF1	QAF2	QAF5	QAF6	QAF7	QAF8	QAF9	QAX1	QDF	QDF6
Crankshaft	25mm Ø Straight (L=130.5)															
	25mm Ø Straight (L=133.5)															
	25.4mm Ø Straight (L=139.5)		●	●	●	●	●	●	●	●	●	●	●	●	●	●
	25.4mm Ø Straight (L=142.5)															
	28.575mm Ø Straight (L=163.5)															
	28.575mm Ø Straight (L=166.5)															
	M10 Tapered (L=160)															
	M10 Tapered (L=163)															
	5/16" Tapered (L=160)															
	5/16" Tapered (L=163)															
	3/8" Tapered (L=105.5)															
7/16" Tapered (L=160)																
Oil alert																
Fuel tank																
Control box							●			●			●	●		
Recoil starter														●		
Starter motor			●	●	●	●	●	●	●	●	●	●	●	●	●	●
Auto throttle																
Battery																
Oil cooler																
Winter kit																

Specifications		Model	GX620K1														
		Type	Standard equipment (1)														
			QDP2	QDW	QWA6	QWF6	QXA	QXA3	QXA6	QXB1	QXC2	QXE1	QXE4	QXE5	QXE7	QXE8	
Crankshaft	25mm Ø Straight (L=130.5)																
	25mm Ø Straight (L=133.5)																
	25.4mm Ø Straight (L=139.5)	●	●	●	●	●	●	●	●	●	●	●	●	●	●	●	
	25.4mm Ø Straight (L=142.5)																
	28.575mm Ø Straight (L=163.5)																
	28.575mm Ø Straight (L=166.5)																
	M10 Tapered (L=160)																
	M10 Tapered (L=163)																
	5/16" Tapered (L=160)																
	5/16" Tapered (L=163)																
	3/8" Tapered (L=105.5)																
7/16" Tapered (L=160)																	
Oil alert				●	●	●	●	●	●	●	●	●	●	●	●	●	
Fuel tank															●	●	
Control box				●	●	●	●	●		●	●	●	●			●	
Recoil starter																●	
Starter motor		●	●	●	●	●	●	●	●	●	●	●	●	●	●	●	
Auto throttle																	
Battery																	
Oil cooler																	
Winter kit				(●)	(●)												

Specifications		Model	GX620K1													
		Type	Standard equipment (1)													
			QXF	QXF3	QXF4	QXF6	QXF8	QXW2	QXW4	QYA	QYD	QYF	QZB	QZB2	QZB3	QZD
Crankshaft	25mm Ø Straight (L=130.5)															
	25mm Ø Straight (L=133.5)															
	25.4mm Ø Straight (L=139.5)		●	●	●	●	●	●	●	●	●	●	●	●	●	●
	25.4mm Ø Straight (L=142.5)															
	28.575mm Ø Straight (L=163.5)															
	28.575mm Ø Straight (L=166.5)															
	M10 Tapered (L=160)															
	M10 Tapered (L=163)															
	5/16" Tapered (L=160)															
	5/16" Tapered (L=163)															
	3/8" Tapered (L=105.5)															
7/16" Tapered (L=160)																
Oil alert		●	●	●	●	●	●	●	●	●			●	●	●	
Fuel tank						●	●	●								
Control box		●			●	●				●			●	●	●	●
Recoil starter						●							●	●	●	●
Starter motor		●	●	●	●	●	●	●	●	●	●	●	●	●	●	●
Auto throttle																
Battery																
Oil cooler																
Winter kit																



Specifications		Model	GX620K1													
		Type	Standard equipment (1)													
			QZE3	QZE4	QZF1	QZF2	QZF8	QZX1	QZX4	QZX5	SAE1	SAF1	SYA	TXF2	VAB2	VAB3
Crankshaft	25mm Ø Straight (L=130.5)										●	●	●			
	25mm Ø Straight (L=133.5)															
	25.4mm Ø Straight (L=139.5)		●	●	●	●	●	●	●	●						
	25.4mm Ø Straight (L=142.5)															
	28.575mm Ø Straight (L=163.5)													●		
	28.575mm Ø Straight (L=166.5)															
	M10 Tapered (L=160)															
	M10 Tapered (L=163)															
	5/16" Tapered (L=160)															
	5/16" Tapered (L=163)															
	3/8" Tapered (L=105.5)														●	●
7/16" Tapered (L=160)																
Oil alert		●	●	●	●	●		●	●					●		
Fuel tank												●				
Control box		●	●	●	●	●								●		
Recoil starter		●	●	●	●	●	●	●	●							
Starter motor		●	●	●	●	●					●	●	●	●	●	●
Auto throttle																
Battery																
Oil cooler													●			
Winter kit																

Specifications		Model	GX620K1													
		Type	Standard equipment (1)													
		VAF	VAF6	VDB2	VDC2	VEP4	VXA1	VXA4	VXA5	VXA6	VXD4	VXE1	VXE2	VXE4	VXE8	
Crankshaft	25mm Ø Straight (L=130.5)															
	25mm Ø Straight (L=133.5)															
	25.4mm Ø Straight (L=139.5)															
	25.4mm Ø Straight (L=142.5)															
	28.575mm Ø Straight (L=163.5)															
	28.575mm Ø Straight (L=166.5)															
	M10 Tapered (L=160)															
	M10 Tapered (L=163)															
	5/16" Tapered (L=160)	●	●	●		●	●	●	●	●	●	●	●	●	●	●
	5/16" Tapered (L=163)															
	3/8" Tapered (L=105.5)															
7/16" Tapered (L=160)				●												
Oil alert				●		●	●	●	●	●	●	●	●	●	●	
Fuel tank																
Control box						●	●		●			●	●			
Recoil starter						●				●	●			●		
Starter motor		●	●	●	●	●	●	●	●	●	●	●	●	●	●	
Auto throttle				●	●			●	●	●	●		●			
Battery																
Oil cooler																
Winter kit																

Model		GX620K1										GX620				
		Standard equipment (1)										Propane (3)				
Specifications		Type	VXF	VXF4	VXP2	VXZ4	VYA1	VYA3	VYE3	VZA1	VZE7	VZE8	QAFP	QAFU	QXAP	QXAU
Crankshaft	25mm Ø Straight (L=130.5)															
	25mm Ø Straight (L=133.5)															
	25.4mm Ø Straight (L=139.5)															
	25.4mm Ø Straight (L=142.5)												●	●	●	●
	28.575mm Ø Straight (L=163.5)															
	28.575mm Ø Straight (L=166.5)															
	M10 Tapered (L=160)										●	●				
	M10 Tapered (L=163)															
	5/16" Tapered (L=160)	●	●	●	●	●	●	●	●	●						
	5/16" Tapered (L=163)															
	3/8" Tapered (L=105.5)															
7/16" Tapered (L=160)																
Oil alert		●	●	●	●	●	●	●	●	●	●					
Fuel tank						●	●	●	●							
Control box		●												●	●	
Recoil starter					●	●	●	●	●							
Starter motor		●	●	●		●	●	●	●	●	●	●	●	●	●	●
Auto throttle																
Battery										●	●					
Oil cooler																
Winter kit																

Specifications		Model	GX620					GX620K1		
		Type	Propane (3)					Propane (2)		
			VABP	VAFP	VAFU	VXAP	VXAU	VXC	VXC1	VXC2
Crankshaft	25mm Ø Straight (L=130.5)									
	25mm Ø Straight (L=133.5)									
	25.4mm Ø Straight (L=139.5)									
	25.4mm Ø Straight (L=142.5)									
	28.575mm Ø Straight (L=163.5)									
	28.575mm Ø Straight (L=166.5)									
	M10 Tapered (L=160)									
	M10 Tapered (L=163)									
	5/16" Tapered (L=160)						●	●	●	
	5/16" Tapered (L=163)	●	●	●	●	●				
	3/8" Tapered (L=105.5)									
7/16" Tapered (L=160)										
Oil alert							●	●		
Fuel tank										
Control box										
Recoil starter										
Starter motor		●	●	●	●	●	●	●		
Auto throttle										
Battery										
Oil cooler							●	●		
Winter kit										

## Fuel hose, general purpose hoses and vinyl hose

- The standard part fuel hose, general purpose hose and vinyl hose may be substituted by the coiled bulk part.
- When ordering the standard part fuel hose, general purpose hose and vinyl hose use the bulk part number written in the parts catalog in brackets ( ) underneath the part name.
- When exchanging the hose, cut and use at the specified length as mentioned in the part name.  
(For the method of cutting the bulk part, and method of filling out orders etc., please refer to the instructions issued with the bulk part.)

### Bulk part number of fuel hose, general purpose hose and vinyl hose.

Example: 9 5 0 0 1 - 7 5 0 0 1 - 5 0 M

**Bulk part number:**  
Refers to the bulk part.

**Marking code (fuel hose and general purpose hose)**

**Change code (Vinyl hose)**

Indicates number mark or change sequence, however, the code for the bulk part must be strictly 0 (zero).

**Types of code:**

- |             |  |                |  |              |   |
|-------------|--|----------------|--|--------------|---|
| • Fuel hose | 2: Red outside braid<br>(3 mm inside dia. only)        | • General hose | 1: Ash gray<br>2: Ash gray<br>3: Black<br>5: Black | • Vinyl hose | 1: Clear<br>2: Black<br>3: Light red<br>6: Light red<br>7: Pale black |
|             | 5: Black inside braid                                  |                |  |              |   |
|             | 3: Red (3 mm inside dia. only)                         |                |  |              |   |
|             | 4: Ash gray with red stripe<br>(3 mm inside dia. only) |                |  |              |   |
|             | 6: Black   |                |  |              |   |

**Lengths:**

- 001: 1 m (standard)  
003: 3 m  
008: 8 m } Application or specification of some parts is not settled.

**I.D code: (fuel hose and general purpose hose)**

- |            |                    |                    |                             |                             |
|------------|--------------------|--------------------|-----------------------------|-----------------------------|
| 30: 3.0 mm | 50: 5.0 mm         | 70: 7.0 mm         | 11: 11 mm                   | 12: 12 (outside dia. 17) mm |
| 35: 3.5 mm | 55: 5.3 mm, 5.5 mm | 75: 7.3 mm, 7.5 mm | 91: 12 (outside dia. 15) mm | 14: 14 mm                   |
| 45: 4.5 mm | 65: 6.5 mm         | 80: 8.0 mm         | 92: 12 (outside dia. 16) mm | 17: 17 mm                   |

**ID./OD. code: (vinyl hose)**

- |                         |                          |                           |                           |                           |
|-------------------------|--------------------------|---------------------------|---------------------------|---------------------------|
| 01: ID. 2.9, OD. 6.8 mm | 12: ID. 5.0, OD. 7.0 mm  | 21: ID. 8.0, OD. 9.0 mm   | 37: ID. 11.0, OD. 15.0 mm | 50: ID. 16.0, OD. 19.0 mm |
| 03: ID. 3.0, OD. 6.0 mm | 10: ID. 5.0, OD. 8.0 mm  | 23: ID. 8.0, OD. 12.0 mm  | 38: ID. 12.0, OD. 13.0 mm | 55: ID. 17.5, OD. 20.5 mm |
| 05: ID. 3.5, OD. 6.5 mm | 11: ID. 5.0, OD. 9.0 mm  | 25: ID. 9.0, OD. 11.0 mm  | 39: ID. 12.0, OD. 14.0 mm | 60: ID. 22.0, OD. 27.0 mm |
| 07: ID. 4.0, OD. 7.0 mm | 14: ID. 6.0, OD. 9.0 mm  | 27: ID. 9.0, OD. 13.0 mm  | 40: ID. 12.0, OD. 16.0 mm |                           |
| 08: ID. 4.5, OD. 6.5 mm | 17: ID. 7.0, OD. 9.0 mm  | 33: ID. 10.0, OD. 14.0 mm | 43: ID. 13.0, OD. 15.0 mm |                           |
| 09: ID. 4.5, OD. 8.0 mm | 19: ID. 7.0, OD. 11.0 mm | 36: ID. 11.0, OD. 13.0 mm | 45: ID. 14.0, OD. 18.0 mm |                           |

**Hose type:**

- 1: Fuel hose  
3: Vinyl hose  
5: General hose

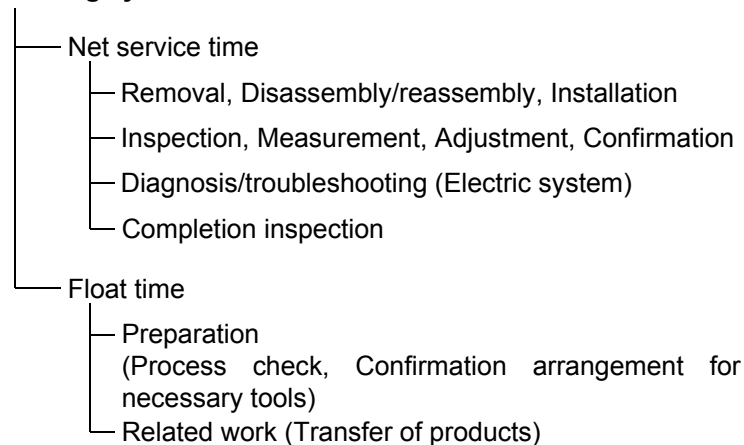
⊙ **CAUTION: It is DANGEROUS to confuse the fuel hose with the general purpose hose or vinyl hose.**

Never use a general purpose hose or vinyl hose in place of a fuel hose or vice versa. Always use the correct bulk part in the parts catalogue, according to the service manual or the instructions issued with the bulk part.

## FLAT RATE SERVICE TIME

Flat rate service time (FRT) means the standard time required to service a product, which is listed in this manual to help the dealers control the actual working process and calculate the service charge by using it as a guide.

### FRT setting system



\* Float time is set by multiplying the net service time by a given coefficient.

### Editorial style

The service items shown in the text are listed with the exchange work time for the repair sales parts as the subject. Other representative service items not using repair parts (removal/installation, adjustment, inspection/measuring, and other work) are listed collectively in the list in the preface, classified according to the work.

### FRT setting standard

- Decimal system (in unit of 0.1) is adopted to set FRT as it is convenient to calculate the wage.  
Example: (0.1) → 6 minutes, (0.2) → 12 minutes  
[Labor cost per hour] x [FRT] = [Wage]
- FRT is set with a hand tool.
- Service items and FRT can be subject to change depending on development of tools and service equipment and improvement in service procedure.

**Work procedure**

- As the work procedure is set with the work time according to the method in the separate Service Manual, refer to this Manual as required.
- Work methods permitting servicing in the shortest time still permitting assurance of safe work and product warranty are used for the setting of service items not listed in the Service Manual.
- Work basically is to be performed by one person, and when two or more people are required, setting is done as the total time for the number of people.
- The set value for the technological level of the workers uses a person with three years of experience in the repair of Honda products as the standard.
- Special tools and service equipment used to set FRT are those specified or recommended in Service Manual.

**Service item whose FRT is not presented**

- Accessories and service parts that are not listed to use in this manual.
  - Locations with little aging deterioration or breakage during normal use.
  - Service work that can be finished by one touch.
  - Service work that is seldom done (i.e. extremely small causes of trouble and service frequency).
  - Products and parts whose location for installation differs according to its status of use and application.
- \* When FRT is not presented, please calculate wages based on appropriate actual work time.

**Operation not included of FRT**

- Oil and coolant water draining, Waiting time for warming up operation and etc..
- Additional operation that involves removal/installation of standard exterior equipment.
- Indirect time spent for service by visiting the customer, trade-in, and delivery.
- Indirect time required for ordering and delivery of parts.
- Cost for grease, adhesive agent, etc. used for service work.

**Explanation of FRT by using an example  
(The example may differ from the actual presented items)**

Ref. No.	L.O.N.	(Relative ref. Number) Description	F.R.T.
①	1111L1	(1, 3, 4, 7) VALVE, INTAKE .....4.1	②
③	1111L1A	• NOTE: OHV type • Includes: Engine removal and installation	⑦
		One head (intake all) add .....1.4	⑤

- ① Reference No. of the illustration of part that shows location of the replacement work.
- ② FRT is an abbreviation of Flat Rate Time indicating the standard service time required for the replacement.
- ③ LON is an abbreviation of Labor Operation Number, and it is a classification of the service items by the work unit code.

The same operation code is used regardless of the models.

Standard operation is indicated with 6 digits code, and additional operation is indicated with 7 digits code.

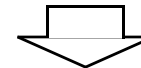
- ④ Indicating the intake valve replacement and FRT4.1.
- ⑤ Indicating FRT1.4 that will be added when additional operation (whole intake side of one cylinder head) is done in association with intake valve replacement.

- ⑥ Indicating work condition or application condition of the service item.
- ⑦ Indicating work contents that are included in the service item.
- ⑧ Indicating a reference No. whose operation and time are the same as FRT4.1 for the intake valve.

(The application range is limited to the service items without an LON setting within a same block.)

**How to refer to the service item by using the sample  
(intake valve replacement)**

Open to the page of the block where the intake valve's spare part illustration is shown.



Look for the intake valve illustration, and refer to the service item and FRT that agree with the reference No.



Indication mark for the listing of service items that continues to the following page

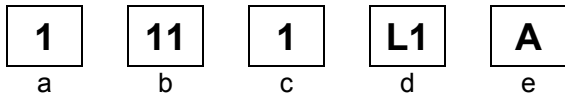
Ref. No.	L.O.N.	(Relative ref. Number) Description	F.R.T.
2	1111L1	VALVE, INTAKE .....	4.1
	.	.	.
	.	.	.

+  
Mark indicated at the last line.

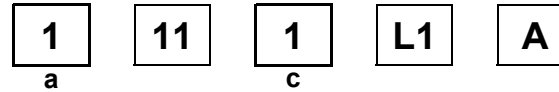
Indication of the block with no setting of FRT

Ref. No.	L.O.N.	(Relative ref. Number) Description	F.R.T.
<b>NO INFORMATION .....</b>			

• LON code system



- a) Category code..... Engine
- b) Location/function code ..... Engine upper
- c) Operation code..... Replace
- d) Operation sequence number (Unit code can be shown with alphabet)  
..... Intake valve  
(No regular rule of code)
- e) Additional code ..... One head (intake all)  
(No regular rule of code)



a) Category codes and classification

Code	Category
1	Engine
2	Power drive
3	Fuel & Exhaust
4	Frame & Body
5	Steering
6	Electrical
7	Axle & Brake
8	Control system
9	-
0	Attachments

c) Operation codes and classification

Code	Operation category
1	Replace, Removal/Installation, Change
2	Overhaul
3	Adjust, Rotation
4	(Paint-related work: Top-coat)
5	Test, Inspect/diagnose, Measurement
6	(Overhaul-related work: Rebore)
7	(Overhaul-related work: Reseal)
8	(Resurface)
9	(Paint-related work: Refinish)
0	Repair, Cleaning, Air bleeding

Major service items without using spare parts

(1) Removal/Installation, (2) Adjustment, (3) Inspection/Measurement, (4) Overhaul, (5) Other work

E: Engine, T: Transmission, D: Drive system, B: Body and related parts

### (1) Removal/Installation

Set with the parts configuration in the status of being removed from the product.

	LON	DESCRIPTION	FRT
E	1111N0	<b>CYLINDER HEAD ASSEMBLY-REMOVAL/INSTALLATION</b> LEFT	1.2
	1111N1	RIGHT	1.2
	1111N2	BOTH	1.6

### (2) Adjustment

	LON	DESCRIPTION	FRT
E	1113A1	<b>VALVE CLEARANCE-ADJUSTMENT</b> NOTE: For 1 product	0.4
	1163A0	<b>CONTROL, THROTTLE/GOVERNOR-ADJUSTMENT</b>	0.3
	3113A2	<b>CARBURETOR IDLE-ADJUSTMENT</b>	0.2

### (3) Inspection, Measurement, Cleaning

	LON	DESCRIPTION	FRT
E	1105A0	<b>ENGINE OIL-INSPECTION</b>	0.1
	1130A0	<b>ENGINE OIL SCREEN-CLEANING</b>	1.1
	3115A2	<b>CARBURETOR FLOAT LEVEL-MEASUREMENT</b>	0.7
	3120A0	<b>AIR CLEANER-CLEANING</b> INCLUDES: Air cleaner-inspection	0.2
	3130A0	<b>SPARK ARRESTER-CLEANING</b>	0.2
	6140A0	<b>SPARK PLUG-ADJUSTMENT/CLEANING</b> NOTE: For 1 product	0.2

### (4) Overhaul

Work condition: The required Measurements, inspections, adjustments, and cleaning/washing of each part are performed, including the main body removal/installation work and the replacement of defective parts.

	LON	DESCRIPTION	FRT
E	3112A0	<b>CARBURETOR-OVERHAUL</b> INCLUDES: All necessary adjustment	0.8

### (5) Other work

	LON	DESCRIPTION	FRT
E	1101E1	<b>ENGINE OIL-CHANGE</b> INCLUDES: Engine oil-inspection	0.1

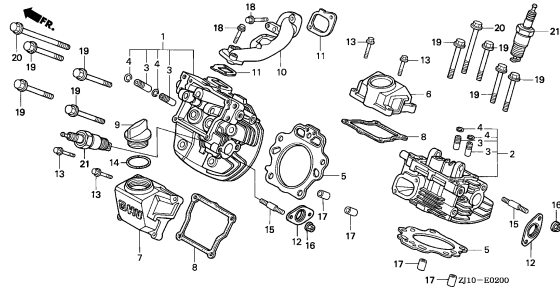
# ENGINE GROUP

**C16**

**E-2**

**CYLINDER HEAD(GX620)**

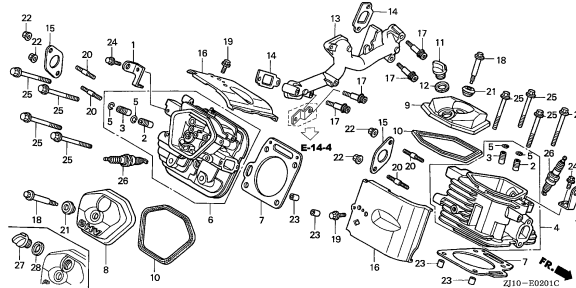
**E 1**



**E-2-1**

**CYLINDER HEAD(GX620K1)**

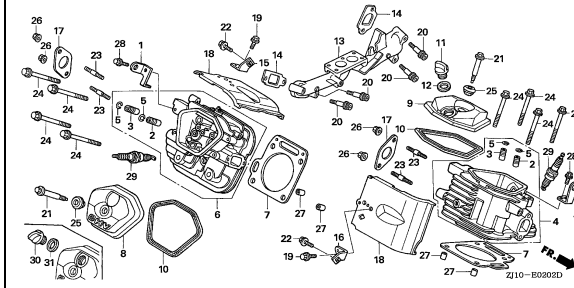
**E 3**



**E-2-2**

**CYLINDER HEAD(GX620K1)(PROPANE)**

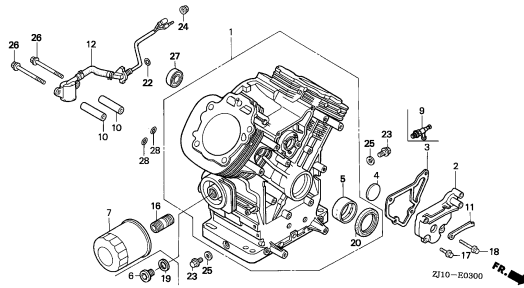
**E10**



**E-3**

**CYLINDER BARREL(GX620)**

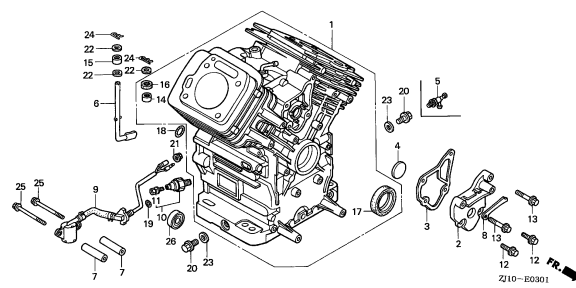
**E12**



**E-3-1**

**CYLINDER BARREL(GX620K1)**

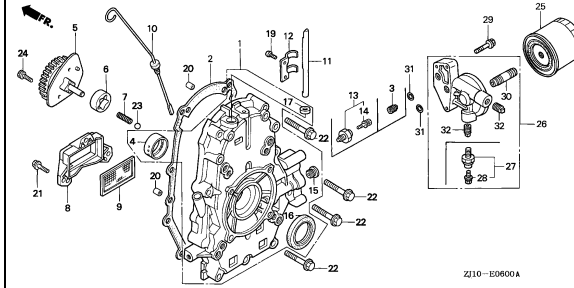
**E14**



**E-6**

**CRANKCASE COVER(GX620)**

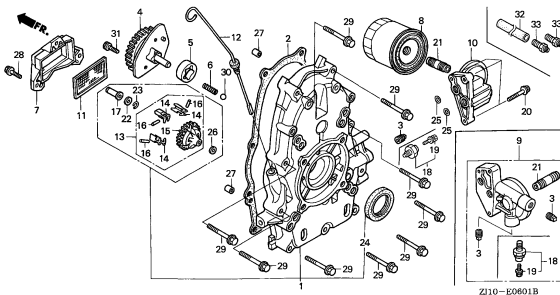
**F 2**



**E-6-1**

**CRANKCASE COVER(GX620K1)**

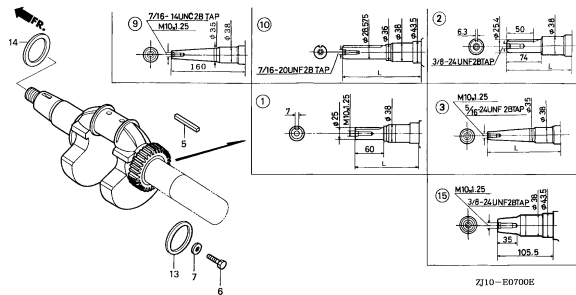
**F 4**



**E-7**

**CRANKSHAFT**

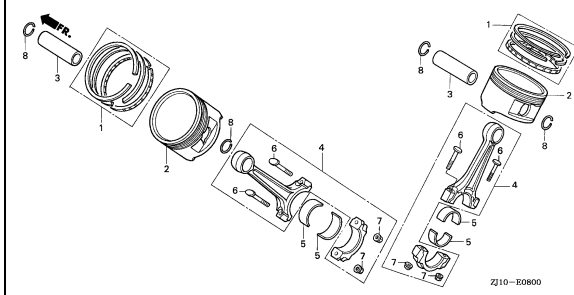
**F 8**



**E-8**

**PISTON(GX620)**

**F10**



**2**

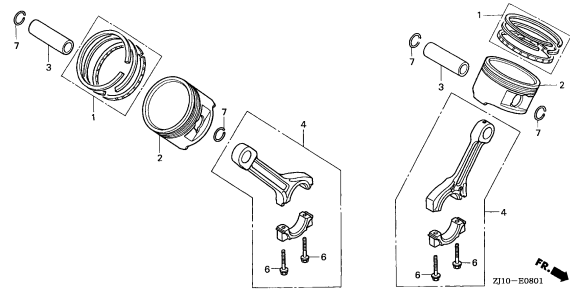
# ENGINE GROUP

**D 1**

**E-8-1**

PISTON(GX620K1)

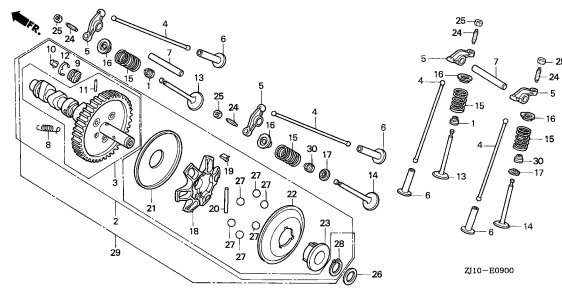
**F12**



**E-9**

CAMSHAFT(GX620)

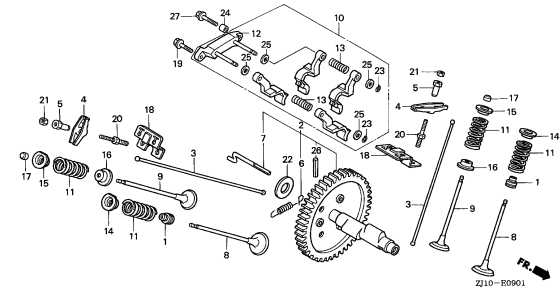
**F15**



**E-9-1**

CAMSHAFT(GX620K1)

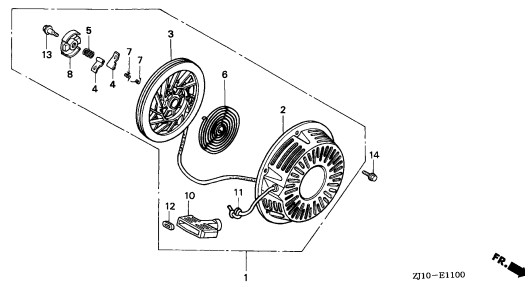
**G 6**



**E-11**

RECOIL STARTER

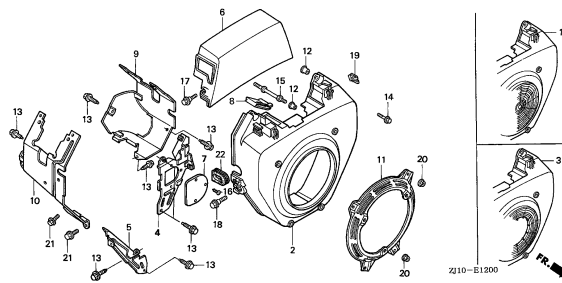
**G12**



**E-12**

FAN COVER(GX620)

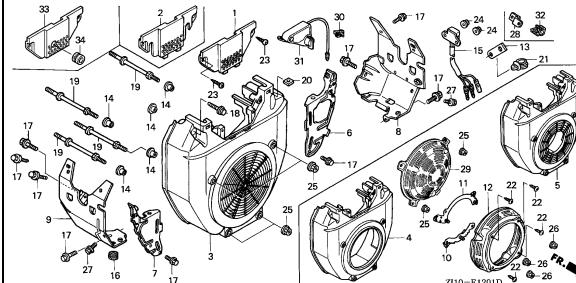
**G15**



**E-12-1**

FAN COVER(GX620K1)

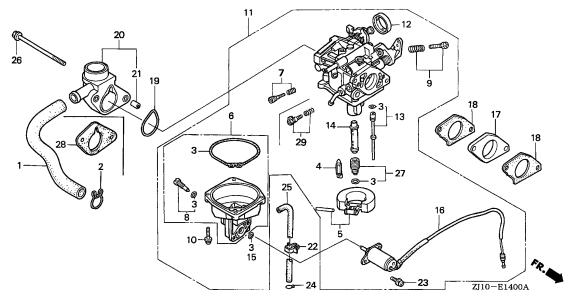
**H 2**



**E-14**

CARBURETOR(1)

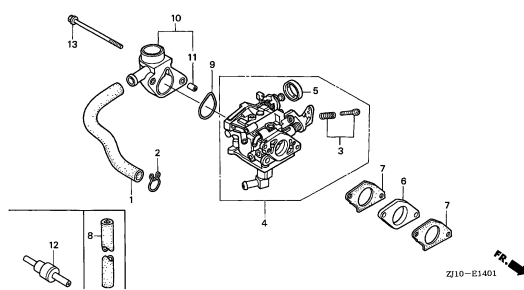
**H12**



**E-14-1**

CARBURETOR(2)

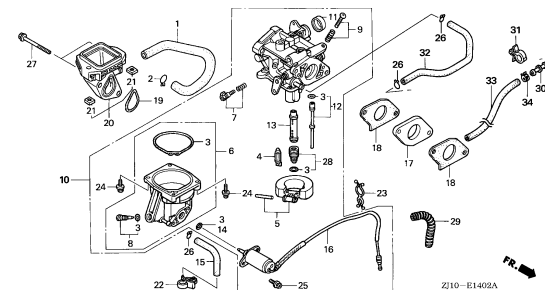
**H16**



**E-14-2**

CARBURETOR(3)

**I 1**



**2**

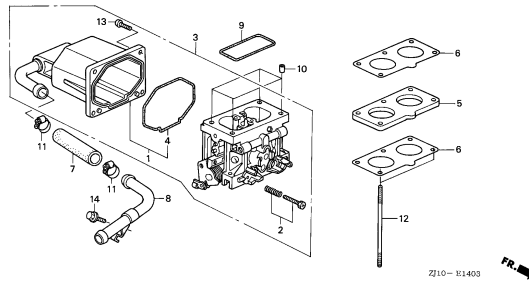
# ENGINE GROUP

**D 2**

**E-14-3**

CARBURETOR(4)

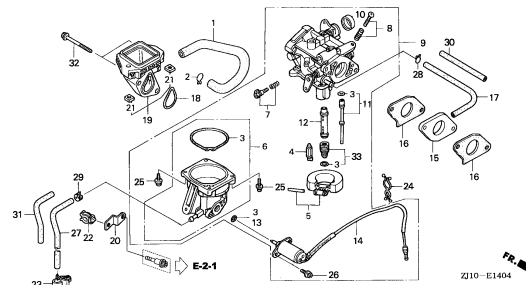
**J 2**



**E-14-4**

CARBURETOR(5)

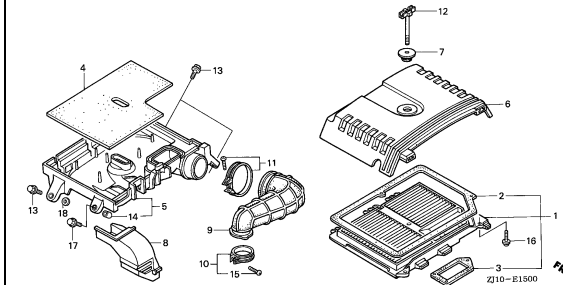
**J 3**



**E-15**

AIR CLEANER(1)

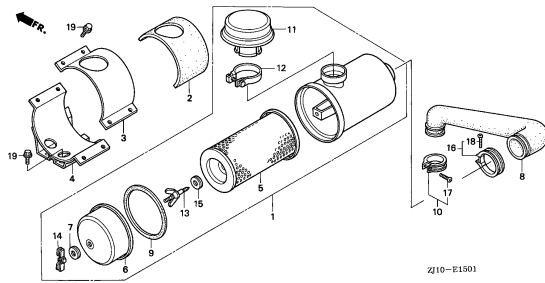
**J 5**



**E-15-1**

AIR CLEANER(2)

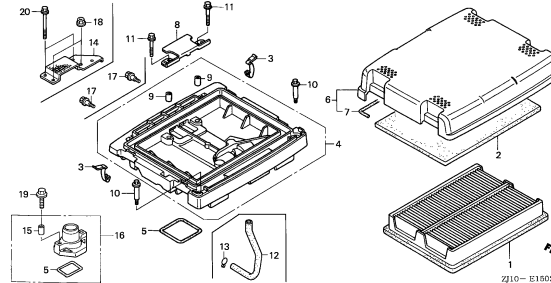
**J 9**



**E-15-2**

AIR CLEANER(3)

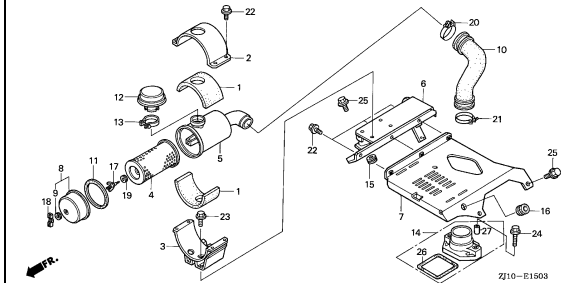
**J11**



**E-15-3**

AIR CLEANER(4)

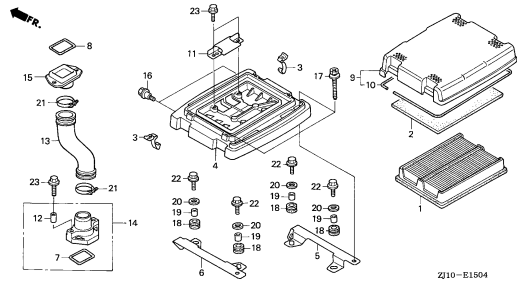
**K 2**



**E-15-4**

AIR CLEANER(5)

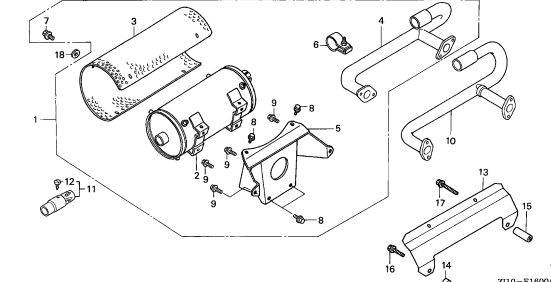
**K 4**



**E-16**

MUFFLER(1)

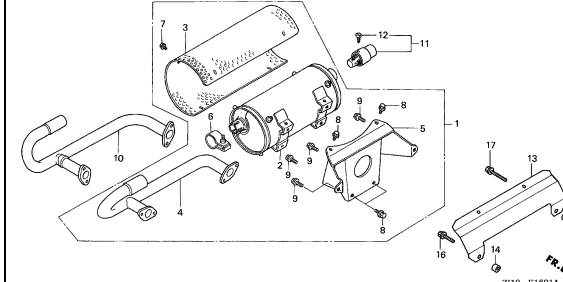
**K 6**



**E-16-1**

MUFFLER(2)

**K12**



**2**

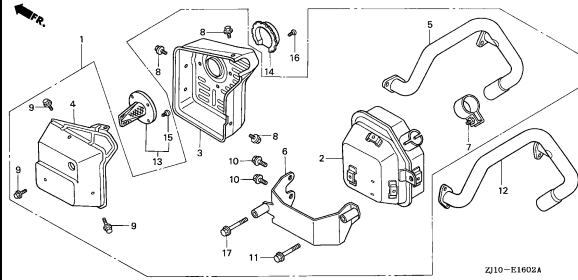
# ENGINE GROUP

D 3

E-16-2

MUFFLER(3)

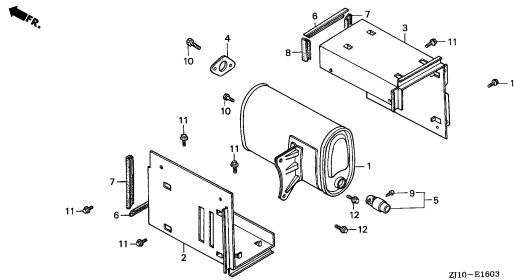
L 2



E-16-3

MUFFLER(4)

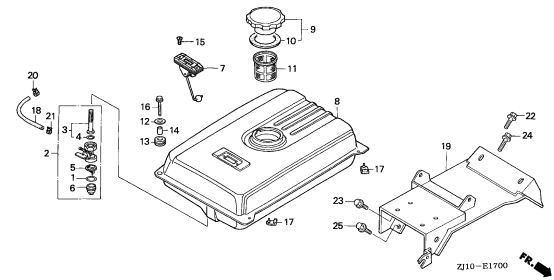
L 5



E-17

FUEL TANK(1)

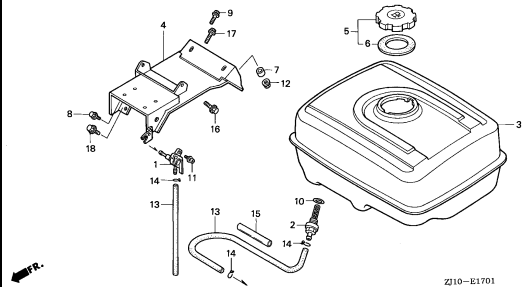
L 6



E-17-1

FUEL TANK(2)

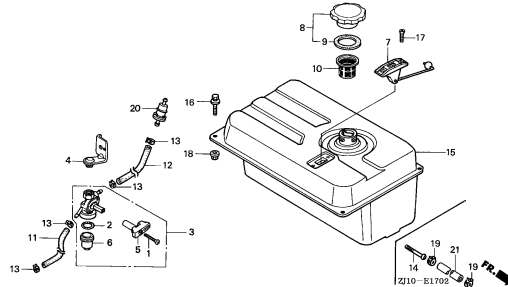
L 8



E-17-2

FUEL TANK(3)

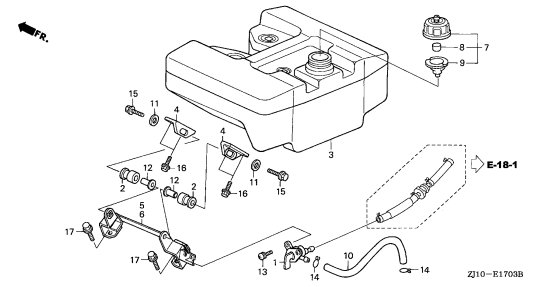
L 9



E-17-3

FUEL TANK(4)

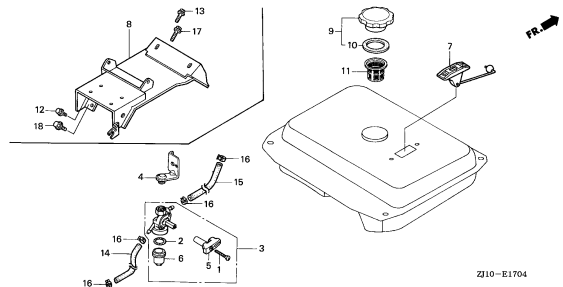
L11



E-17-4

FUEL TANK(5)

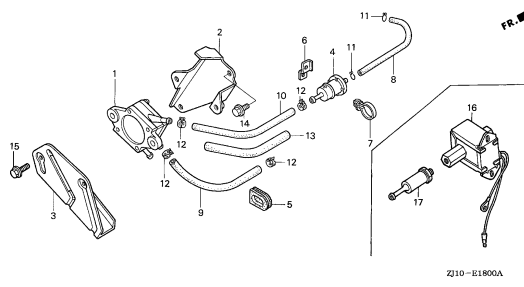
L13



E-18

FUEL PUMP(GX620)

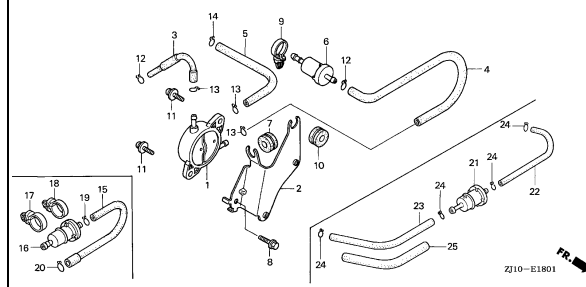
L14



E-18-1

FUEL PUMP(GX620K1)

L16



2

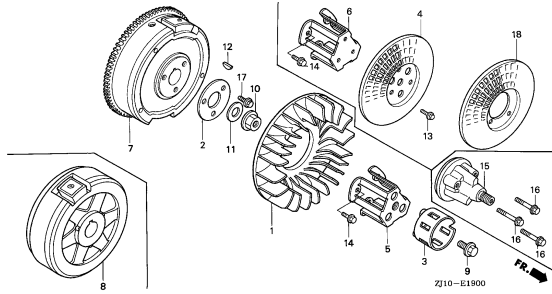
# ENGINE GROUP

**D 4**

**E-19**

FLYWHEEL

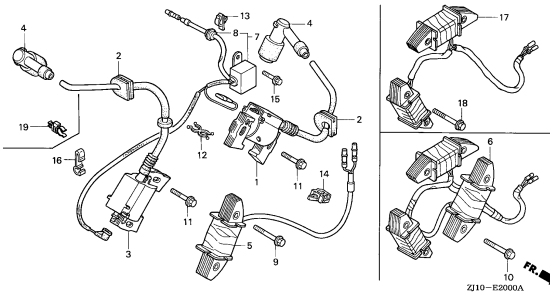
**M 8**



**E-20**

IGNITION COIL

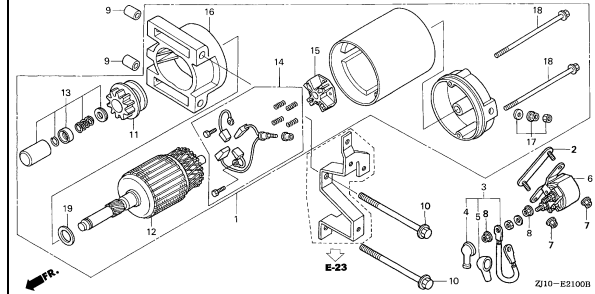
**M13**



**E-21**

STARTER MOTOR(GX620)

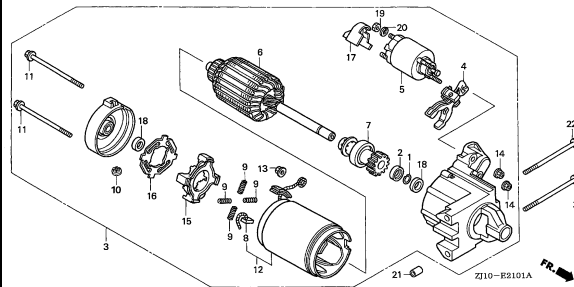
**N 3**



**E-21-1**

STARTER MOTOR(GX620K1)

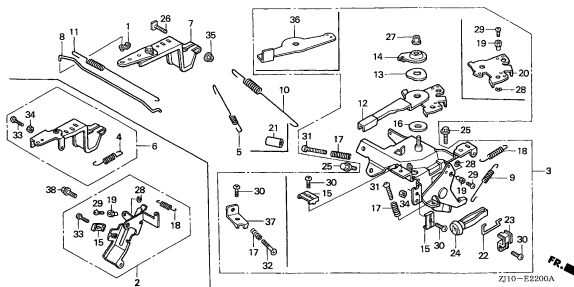
**N 7**



**E-22**

CONTROL(1)

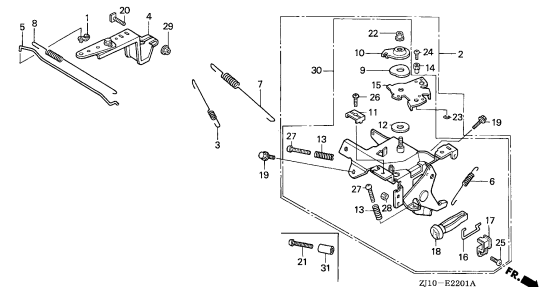
**2-B 3**



**E-22-1**

CONTROL(2)

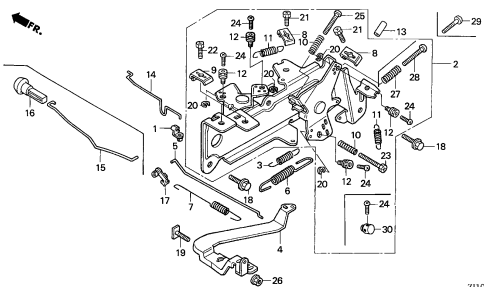
**2-B 8**



**E-22-2**

CONTROL(3)

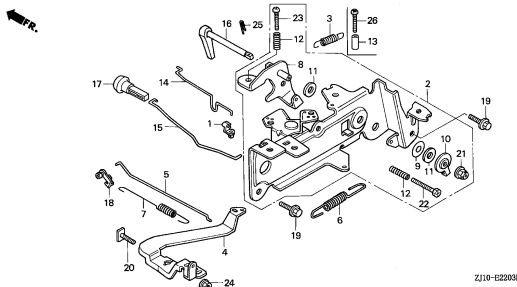
**2-B10**



**E-22-3**

CONTROL(4)

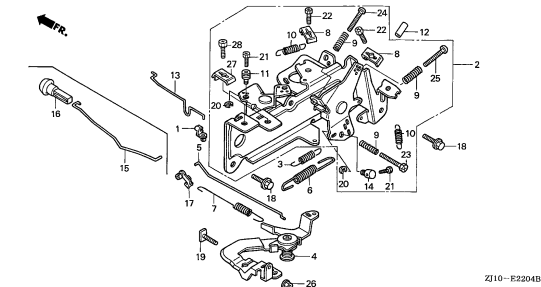
**2-B15**



**E-22-4**

CONTROL(5)

**2-C 6**



**2**

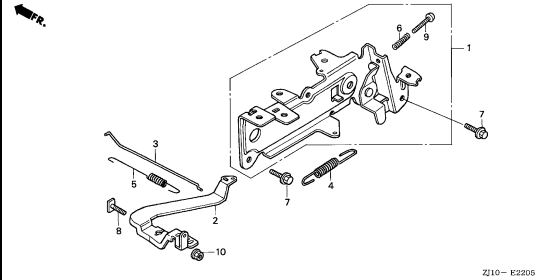
# ENGINE GROUP

**D 5**

**E-22-5**

CONTROL(6)

**2-C 8**

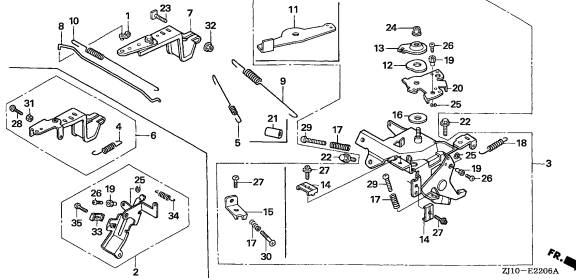


ZJ10-E2205

**E-22-6**

CONTROL(7)

**2-C 9**

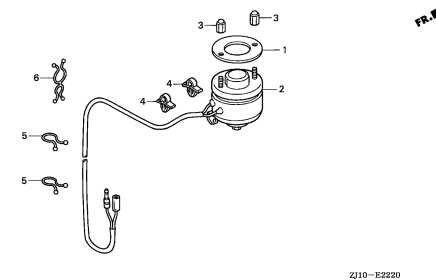


ZJ10-E2206A

**E-22-20**

AUTO THROTTLE

**2-C12**

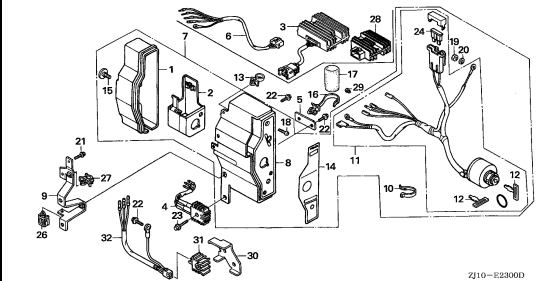


ZJ10-E2220

**E-23**

CONTROL BOX

**2-C13**

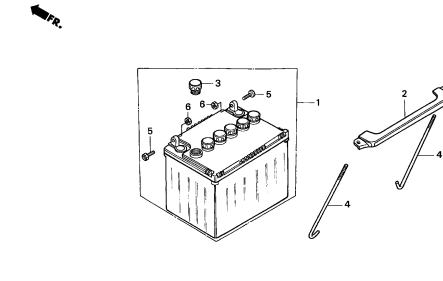


ZJ10-E2300D

**E-23-20**

BATTERY

**2-D 6**

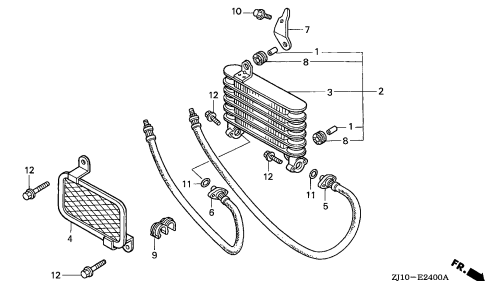


ZJ10-E2320

**E-24**

OIL COOLER

**2-D 7**

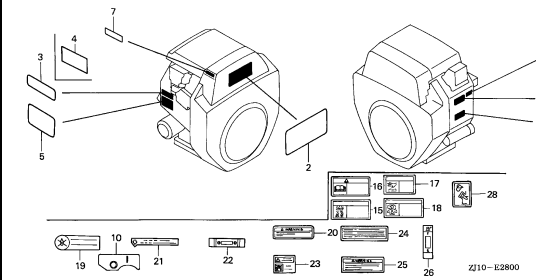


ZJ10-E2400A

**E-28**

LABEL(GX620)

**2-D 8**

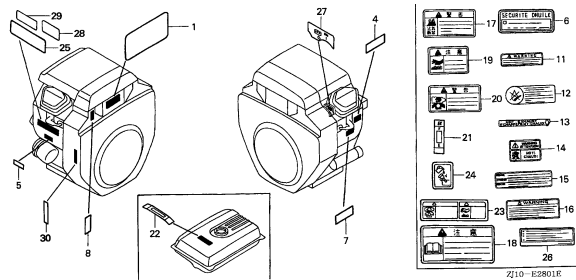


ZJ10-E2800

**E-28-1**

LABEL(GX620K1)

**2-D10**

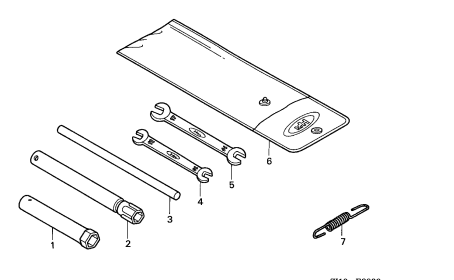


ZJ10-E2801E

**E-29**

TOOL

**2-D14**



ZJ10-E2900

**2**



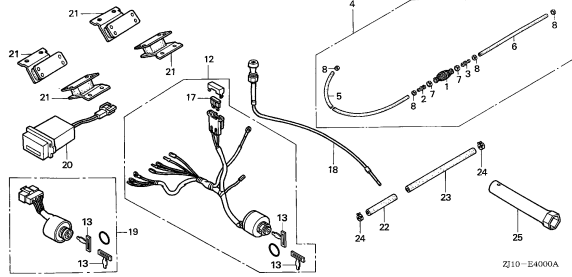
# ENGINE GROUP

**D 6**

**E-40**

COMBINATION SWITCH(1)

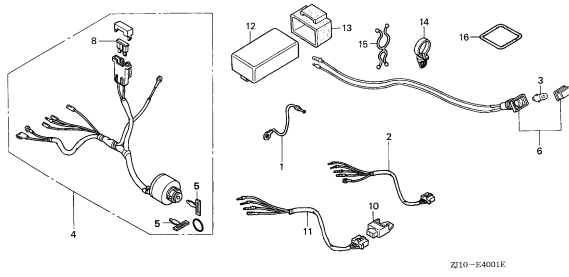
**2-D16**



**E-40-1**

COMBINATION SWITCH(2)

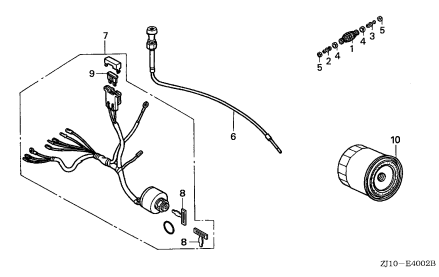
**2-E 1**



**E-40-2**

COMBINATION SWITCH(3)

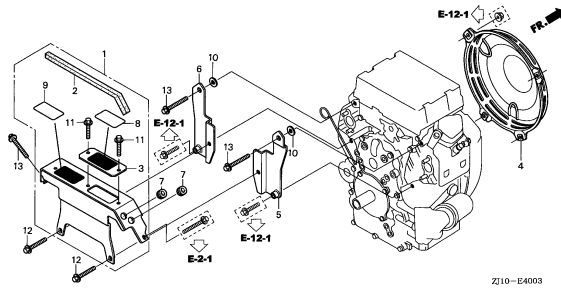
**2-E 2**



**E-40-3**

CONTROL COVER/FAN COVER PROTECTOR

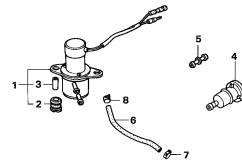
**2-E 3**



**E-40-4**

FUEL PUMP

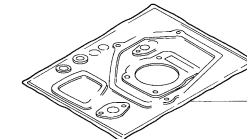
**2-E 4**



**EOP-1**

GASKET KIT

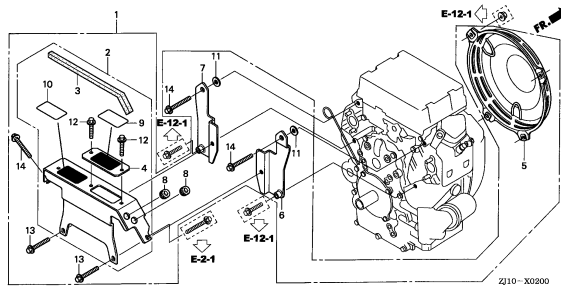
**2-E 5**



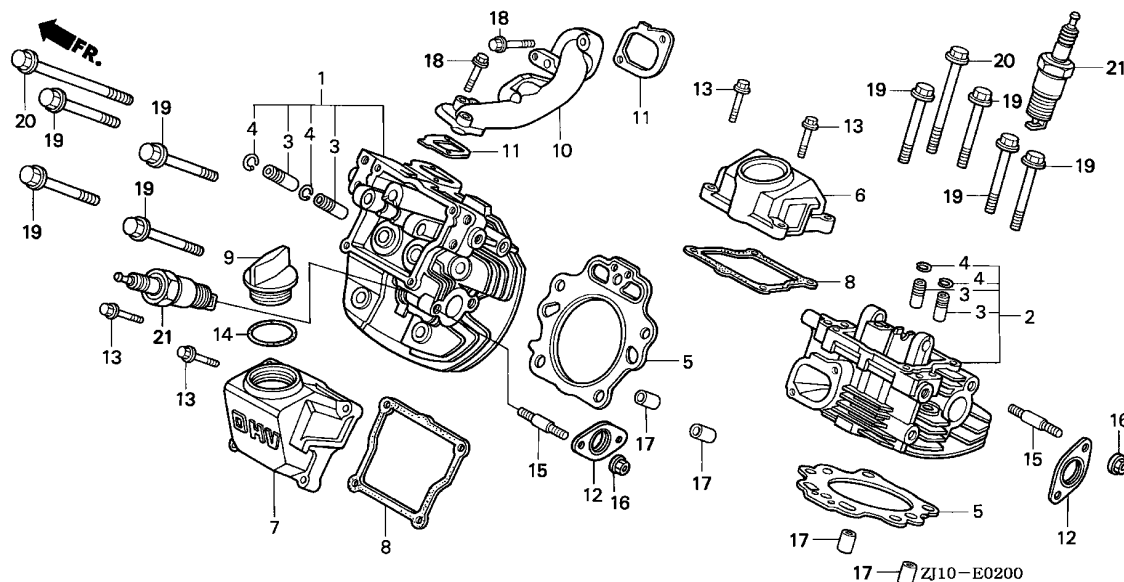
**EOP-2**

WINTER KIT

**2-E 6**



**2**



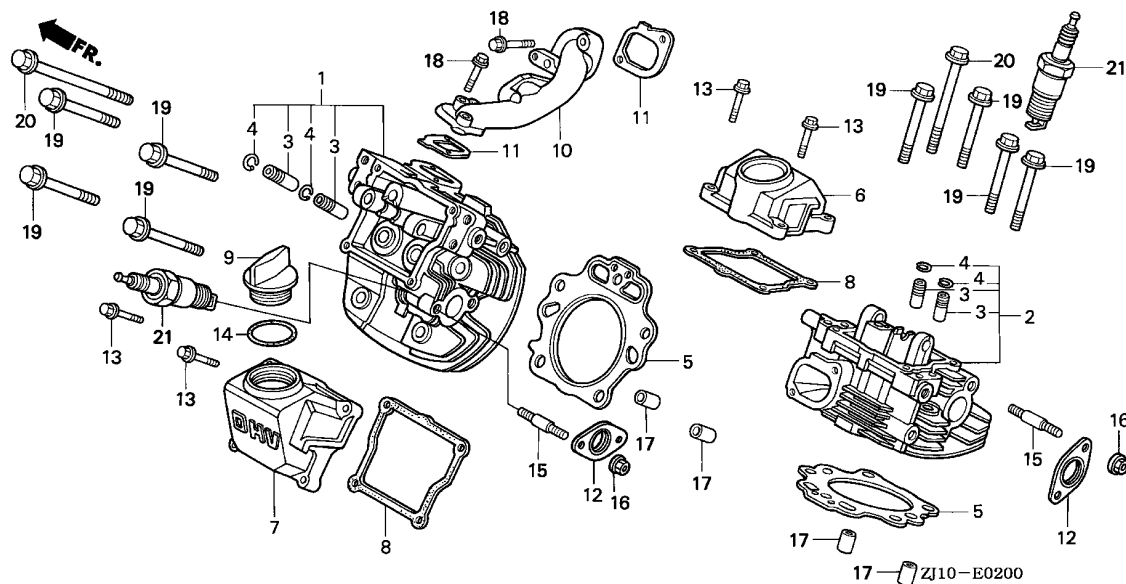
Ref. No.	L.O.N.	(Relative ref. Number) Description	F.R.T.
1	1111F2	HEAD, CYLINDER :LEFT BANK .... .INCLUDES: Valve clearance adjustment and reface	1.6
	1111L4	HEAD, CYLINDER :BOTH BANKS ... .INCLUDES: Valve clearance adjustment and reface	2.4
2	1111F3	HEAD, CYLINDER :RIGHT BANK ... .INCLUDES: Valve clearance adjustment and reface	1.6
	1111L4	HEAD, CYLINDER :BOTH BANKS ... .INCLUDES: Valve clearance adjustment and reface	2.4
5	1111M4	GASKET, CYLINDER HEAD :LEFT ..	1.2
	1111M5	GASKET, CYLINDER HEAD :RIGHT ..	1.2
	1111M6	GASKET, CYLINDER HEAD :BOTH .. (8)	1.6
6	1111D4	COVER, CYLINDER HEAD AND/OR PACKING, HEAD COVER :RIGHT ..	0.2
	1111L5	COVER, CYLINDER HEAD AND/OR PACKING, HEAD COVER :BOTH ... (8)	0.3
7	1111D3	COVER, CYLINDER HEAD AND/OR PACKING, HEAD COVER :LEFT ...	0.2
	1111L5	COVER, CYLINDER HEAD AND/OR PACKING, HEAD COVER :BOTH ...	0.3

Ref. No.	Part No.	Description	Reqd. QTY					Serial No.	Parts catalogue code
			GX 620 (1)	GX 620 (2)	GX 620 K1 (1)	GX 620 (3)	GX 620 K1 (2)		
1	12210-ZJ1-000	HEAD COMP., R. CYLINDER .....	1	1	-	-	-		
	12210-ZJ1-800	HEAD COMP., CYLINDER (#1) ...	-	-	-	1	-		
2	12220-ZJ1-000	HEAD COMP., L. CYLINDER .....	1	-	-	-	-	QAB,QAB4,QAB6,QAC6,QAF,QAF1,QAF2,QAF3,QAF4,QAF5,QAF6,QAF7,QAF8,QAP2,QDA1,QDE1,QDF,QDF4,QDF6,QDW,QXA,QXA1,QXA3,QXA4,QXA6,QXB1,QXC4,QXE1,QXE3,QXF1,QXF3,QXF6,QYA,QYA4,QYF,QYF4,QYF6,QZX4,QZZ,SAE1,SAF1,TXF2,VAF,VAF4,VAF6,VXA1,VXE1,VXE4,VXE8,VXZ4,VYA1,VYA3,VZA1,VZA3,VZF1	
	12220-ZJ1-U80	HEAD COMP., CYLINDER (#2) ...	1	-	-	-	-	VXA3,VXE2,VZD,VZE1,VZE5,VZE7,VZE8	
	12220-ZJ1-800	.....	-	-	-	1	-	QAFP,QAFU,QXAP,QXAU,VABP,VAFP,VAFU	
	12220-ZJ1-U90	.....	-	-	-	1	-	VXAP,VXAU	
3	12205-ZE2-305	GUIDE, EX. VALVE (O.S.) .....	(4)	(4)	-	(4)	-		
4	12216-ZE2-300	CLIP, VALVE GUIDE .....	4	4	-	4	-		
5	12251-ZJ1-003	GASKET, CYLINDER HEAD .....	2	2	-	2	-		
6	12311-ZJ1-000	COVER, HEAD .....	1	1	-	1	-		
7	12314-ZJ1-000	COVER, HEAD FILLER .....	1	1	-	1	-		
8	12391-ZJ1-000	PACKING, HEAD COVER .....	2	2	-	2	-		
9	15611-921-000	CAP, OIL (YELLOW) .....	1	1	-	1	-		
10	17101-ZJ1-000	MANIFOLD, INTAKE .....	1	1	-	1	-		
11	17151-ZJ1-003	GASKET, INTAKE MANIFOLD .....	2	2	-	2	-		
12	18333-ZJ1-000	GASKET, EX. PIPE .....	2	2	-	2	-		
13	90121-ZJ1-000	BOLT, FLANGE, 6X25(CT200) ...	8	8	-	8	-		
14	91301-805-000	O-RING, 26X2.7 .....	1	1	-	1	-		
15	92900-08025-0B	BOLT, STUD, 8X25 .....	4	4	-	4	-		
16	94050-08000	NUT, FLANGE, 8MM .....	4	4	-	4	-		



E-2

CYLINDER HEAD(GX620)



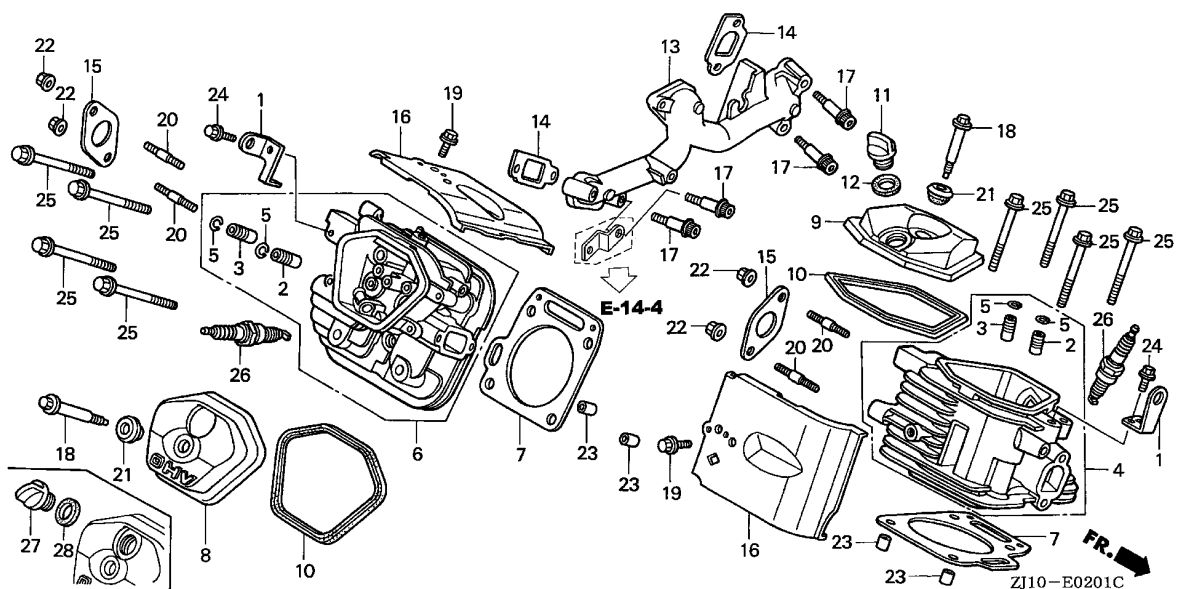
Ref. No.	L.O.N.	(Relative ref. Number) Description	F.R.T.
10	3111C4	MANIFOLD, INTAKE .....	0.4
11	3111B6	GASKET, INTAKE MANIFOLD .....	0.4
.NOTE: Same time for two units			
12	3131J1	GASKET, EXHAUST PIPE :LEFT ...	0.4
	3131J2	GASKET, EXHAUST PIPE :RIGHT ..	0.4
21	6141E6	PLUG, SPARK :LEFT BANK .....	0.1
	6141E7	PLUG, SPARK :RIGHT BANK .....	0.1
	6141E8	PLUG, SPARK :BOTH BANKS .....	0.2

Ref. No.	Part No.	Description	Reqd. QTY					Serial No.	Parts catalogue code
			GX 620	GX 620	GX 620 K1	GX 620 (3)	GX 620 K1 (2)		
17	94301-12200	DOWEL PIN, 12X20 .....	4	4	-	4	-		
18	95701-06032-00	BOLT, FLANGE, 6X32 .....	4	4	-	4	-		
19	95701-10075-00	BOLT, FLANGE, 10X75 .....	8	8	-	8	-		
20	95701-10130-00	BOLT, FLANGE, 10X130 .....	2	2	-	2	-		
21	98079-56846	PLUG, SPARK (BPR6ES) (NGK) ...	2	-	-	-	-	QAB,QAB4,QAB6,QAC6,QAF,QAF1,QAF2,QAF3,QAF4,QAF5,QAF6,QAF7,QAF8,QAP2,QDA1,QDE1,QDF,QDF4,QDF6,QDW,QXA,QXA1,QXA3,QXA4,QXA6,QXB1,QXC4,QXE1,QXF1,QXF3,QXF6,QYA,QYA4,QYF,QYF4,QYF6,QZX4,QZZ,SAE1,SAF1,TXF2,VAF,VAF4,VAF6,VXA1,VXA3,VXE1,VXE2,VXE4,VXE8,VXZ4,VYA1,VYA3,VZA1,VZA3,VZD,VZE1,VZE5,VZE7,VZE8,VZF1	
	98079-55846	PLUG, SPARK (BPR5ES) (NGK) ...	-	2	-	2	-	----- QXE3	

E-2-1

CYLINDER HEAD(GX620K1)

E 3



Ref. No.	L.O.N.	(Relative ref. Number) Description	F.R.T.
4	1111F2	HEAD, CYLINDER :LEFT BANK .... .INCLUDES: Valve clearance adjustment and reface	1.6
	1111L4	HEAD, CYLINDER :BOTH BANKS ... .INCLUDES: Valve clearance adjustment and reface	2.4
6	1111F3	HEAD, CYLINDER :RIGHT BANK ... .INCLUDES: Valve clearance adjustment and reface	1.6
	1111L4	HEAD, CYLINDER :BOTH BANKS ... .INCLUDES: Valve clearance adjustment and reface	2.4
7	1111M4	GASKET, CYLINDER HEAD :LEFT ..	1.2
	1111M5	GASKET, CYLINDER HEAD :RIGHT ..	1.2
	1111M6	GASKET, CYLINDER HEAD :BOTH ..	1.6
8	1111D4	COVER, CYLINDER HEAD AND/OR PACKING, HEAD COVER :RIGHT ..	0.2
	1111L5	COVER, CYLINDER HEAD AND/OR PACKING, HEAD COVER :BOTH ...	0.3
9	1111D3	COVER, CYLINDER HEAD AND/OR PACKING, HEAD COVER :LEFT ...	0.2
	1111L5	COVER, CYLINDER HEAD AND/OR PACKING, HEAD COVER :BOTH ...	0.3

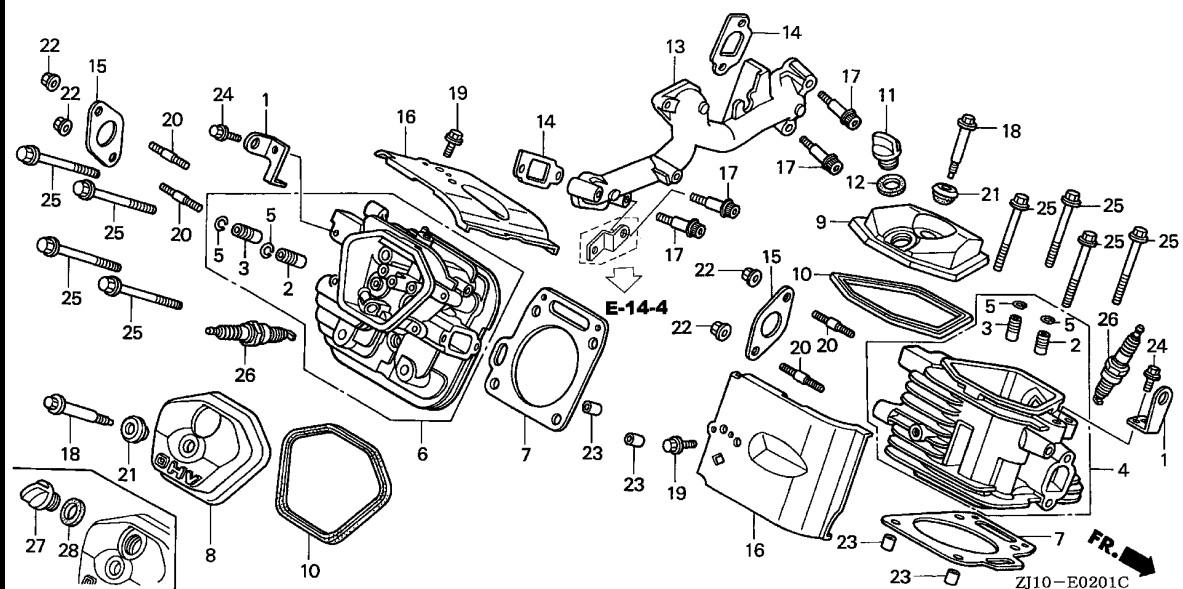
Ref. No.	Part No.	Description	Reqd. QTY					Serial No.	Parts catalogue code
			GX 620	GX 620	GX 620	GX 620	GX 620		
1	11911-ZJ1-840	HANGER, ENGINE .....	-	-	1	-	-	-----	QAF2,QAF2/A,QXE4,QXE4/A,TXF2,TXF2/A QAB,QAB/A,QAB6,QAB6/A,QAD2,QAD2/A,QAF,QAF/A,QAF1,QAF1/A QAF5,QAF5/A,QAF6,QAF6/A,QAF7,QAF7/A,QAF8,QAF8/A,QAF9 QAF9/A,QAX1,QAX1/A,QDF,QDF/A,QDF6,QDF6/A,QDP2,QDP2/A,QDW QDW/A,QWA6,QWA6/A,QWF6,QWF6/A,QXA,QXA/A,QXA3,QXA3/A,QXA6 QXA6/A,QXB1,QXB1/A,QXC2,QXC2/A,QXE1,QXE1/A,QXE5,QXE5/A,QXF QXF/A,QXF3,QXF4,QXF4/A,QXF6,QXF6/A,QYA,QYA/A,QYD,QYD/A,QYF QYF/A,QZB,QZB/A,QZB2,QZB2/A,QZB3,QZB3/A,QZD,QZD/A,QZE3 QZE3/A,QZE4,QZE4/A,QZF1,QZF1/A,QZF2,QZF2/A,QZF8,QZF8/A QZX1,QZX1/A,QZX4,QZX4/A,QZX5,QZX5/A,SAE1,SAE1/A,SAF1 SAF1/A,SYA,SYA/A,VAB2,VAB2/A,VAB3,VAB3/A,VAF,VAF/A,VAF6 VAF6/A,VDB2,VDB2/A,VDC2,VDC2/A,VEP4,VEP4/A,VXA1,VXA1/A VXA4,VXA4/A,VXA5,VXA5/A,VXA6,VXA6/A,VXD4,VXD4/A,VXE1 VXE1/A,VXE2,VXE2/A,VXE4,VXE4/A,VXE8,VXE8/A,VXF,VXF/A,VXF4 VXF4/A,VXP2,VXP2/A,VXZ4,VXZ4/A,VYA3,VYA3/A,VYE3 VYE3/A,VZA1,VZE7,VZE7/A,VZE8,VZE8/A
2	12204-ZE2-306	GUIDE, IN. VALVE (O.S.) .....	-	-	(2)	-	-		
3	12205-ZJ1-405	GUIDE, EX. VALVE (O.S.) .....	-	-	(2)	-	-		
4	12210-ZJ1-406	HEAD COMP., CYLINDER (#1) ...	-	-	1	-	-		
5	12216-ZE2-300	CLIP, VALVE GUIDE .....	-	-	4	-	-		
6	12220-ZJ1-405	HEAD COMP., CYLINDER (#2) ...	-	-	1	-	-		
7	12251-ZJ1-841	GASKET, CYLINDER HEAD .....	-	-	2	-	-		

2

E-2-1

CYLINDER HEAD(GX620K1)

E 4



Ref. No.	L.O.N.	(Relative ref. Number) Description	F.R.T.
13	3111C4	MANIFOLD, INTAKE .....	0.4
14	3111B6	GASKET, INTAKE MANIFOLD .....	0.4
.NOTE: Same time for two units			
15	3131J1	GASKET, EXHAUST PIPE :LEFT ...	0.4
	3131J2	GASKET, EXHAUST PIPE :RIGHT ..	0.4
16	4141J8	SHROUD, CYLINDER HEAD :LEFT ..	0.4
	4141J9	SHROUD, CYLINDER HEAD :RIGHT ..	0.4
26	6141E6	PLUG, SPARK :LEFT BANK .....	0.1
	6141E7	PLUG, SPARK :RIGHT BANK .....	0.1
	6141E8	PLUG, SPARK :BOTH BANKS .....	0.2

2

Ref. No.	Part No.	Description	Reqd. QTY					Serial No.	Parts catalogue code
			GX 620	GX 620	GX 620	GX 620	GX 620		
8	12311-ZJ1-840	COVER, HEAD .....	-	-	1	-	-	-----	QAB,QAB/A,QAB6,QAB6/A,QAD2,QAD2/A,QAF,QAF/A,QAF1,QAF1/A,QAF2,QAF2/A,QAF5,QAF5/A,QAF6,QAF6/A,QAF7,QAF7/A,QAF8,QAF8/A,QAF9,QAF9/A,QAX1,QAX1/A,QDF,QDF/A,QDF6,QDF6/A,QDP2,QDP2/A,QDW,QDW/A,QWA6,QWA6/A,QWF6,QWF6/A,QXA,QXA/A,QXA3,QXA3/A,QXA6,QXA6/A,QXB1,QXB1/A,QXC2,QXC2/A,QXE1,QXE1/A,QXE4,QXE4/A,QXE5,QXE5/A,QXE7,QXE7/A,QXE8,QXE8/A,QXF,QXF/A,QXF3,QXF4,QXF4/A,QXF6,QXF6/A,QXF8,QXF8/A,QXW2,QXW2/A,QXW4,QXW4/A,QYA,QYA/A,QYD,QYD/A,QYF,QYF/A,QZB,QZB/A,QZB2,QZB2/A,QZB3,QZB3/A,QZD,QZD/A,QZE3,QZE3/A,QZE4,QZE4/A,QZF1,QZF1/A,QZF2,QZF2/A,QZF8,QZF8/A,QZX1,QZX1/A,QZX4,QZX4/A,QZX5,QZX5/A,SAE1,SAE1/A,SAF1,SAF1/A,SYA,SYA/A,TFX2,TFX2/A,VAB2,VAB2/A,VAB3,VAB3/A,VAF,VAF/A,VAF6,VAF6/A,VDB2,VDB2/A,VDC2,VDC2/A,VEP4,VEP4/A,VXA1,VXA1/A,VXA4,VXA4/A,VXA5,VXA5/A,VXA6,VXA6/A,VXD4,VXD4/A,VXE1,VXE1/A,VXE2,VXE2/A,VXE4,VXE4/A,VXE8,VXE8/A,VXF,VXF/A,VXF4,VXF4/A,VXP2,VXP2/A,VXZ4,VXZ4/A,VYA1,VYA3,VYA3/A,VYE3,VYE3/A,VZA1,VZE7,VZE7/A,VZE8,VZE8/A
	12314-ZJ1-840	COVER, HEAD FILLER .....	-	-	1	-	-	-----	

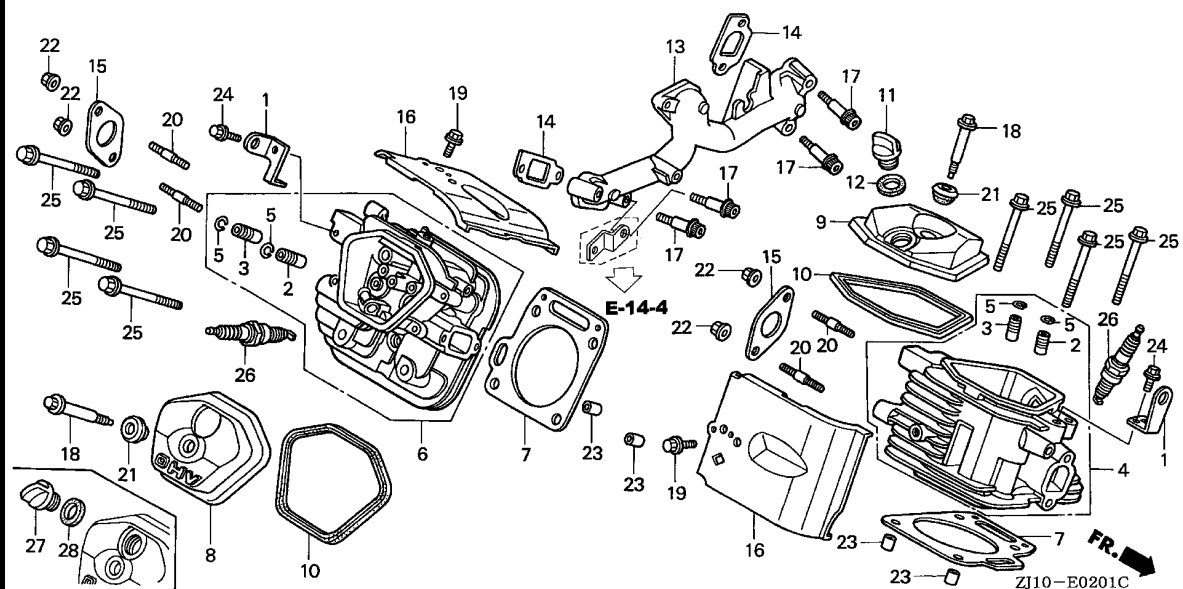
Ref. No.	Part No.	Description	Reqd. QTY					Serial No.	Parts catalogue code
			GX 620	GX 620	GX 620 K1	GX 620	GX 620 K1		
			(1)	(2)	(1)	(3)	(2)		
9	12314-ZJ1-840	COVER, HEAD FILLER .....	-	-	1	-	-	-----	QAB, QAB/A, QAB6, QAB6/A, QAD2, QAD2/A, QAF, QAF/A, QAF1, QAF1/A, QAF2, QAF2/A, QAF5, QAF5/A, QAF6, QAF6/A, QAF7, QAF7/A, QAF8, QAF8/A, QAF9, QAF9/A, QAX1, QAX1/A, QDF, QDF/A, QDF6, QDF6/A, QDP2, QDP2/A, QDW, QDW/A, QWA6, QWA6/A, QWF6, QWF6/A, QXA, QXA/A, QXA3, QXA3/A, QXA6, QXA6/A, QXB1, QXB1/A, QXC2, QXC2/A, QXE1, QXE1/A, QXE4, QXE4/A, QXE5, QXE5/A, QXE7, QXE7/A, QXE8, QXE8/A, QXF, QXF/A, QXF3, QXF4, QXF4/A, QXF6, QXF6/A, QXF8, QXF8/A, QXW2, QXW2/A, QXW4, QXW4/A, QYA, QYA/A, QYD, QYD/A, QYF, QYF/A, QZB, QZB/A, QZB2, QZB2/A, QZB3, QZB3/A, QZD, QZD/A, QZE3, QZE3/A, QZE4, QZE4/A, QZF1, QZF1/A, QZF2, QZF2/A, QZF8, QZF8/A, QZX1, QZX1/A, QZX4, QZX4/A, QZX5, QZX5/A, SAE1, SAE1/A, SAF1, SAF1/A, SYA, SYA/A, TXF2, TXF2/A, VAB2, VAB2/A, VAB3, VAB3/A, VAF, VAF/A, VAF6, VAF6/A, VDB2, VDB2/A, VDC2, VDC2/A, VEP4, VEP4/A, VXA1, VXA1/A, VXA4, VXA4/A, VXA5, VXA5/A, VXA6, VXA6/A, VXD4, VXD4/A, VXE1, VXE1/A, VXE2, VXE2/A, VXE4, VXE4/A, VXE8, VXE8/A, VXF, VXF/A, VXF4, VXF4/A, VXP2, VXP2/A, VXZ4, VXZ4/A, VYA1, VYA3, VYA3/A, VYE3, VYE3/A, VZA1, VZE7, VZE7/A, VZE8, VZE8/A
	12311-ZJ1-840	COVER, HEAD .....	-	-	1	-	-	-----	
10	12391-ZE2-020	PACKING, HEAD COVER .....	-	-	2	-	-	-----	
11	15611-MB0-000	CAP, OIL FILLER .....	-	-	1	-	-	-----	QAB, QAB/A, QAB6, QAB6/A, QAD2, QAD2/A, QAF, QAF/A, QAF1, QAF1/A, QAF2, QAF2/A, QAF5, QAF5/A, QAF6, QAF6/A, QAF7, QAF7/A, QAF8, QAF8/A, QAF9, QAF9/A, QAX1, QAX1/A, QDF, QDF/A, QDF6, QDF6/A, QDP2, QDP2/A, QDW, QDW/A, QWA6, QWA6/A, QWF6, QWF6/A, QXA, QXA/A, QXA3, QXA3/A, QXA6, QXA6/A, QXB1, QXB1/A, QXC2, QXC2/A, QXE1, QXE1/A, QXE4, QXE4/A, QXE5, QXE5/A, QXE7, QXE7/A, QXE8, QXE8/A, QXF, QXF/A, QXF3, QXF4, QXF4/A, QXF6, QXF6/A, QXF8, QXF8/A, QXW2, QXW2/A, QXW4, QXW4/A, QYA, QYA/A, QYD, QYD/A, QYF, QYF/A, QZB, QZB/A, QZB2, QZB2/A, QZB3, QZB3/A, QZD, QZD/A, QZE3, QZE3/A, QZE4, QZE4/A, QZF1, QZF1/A, QZF2, QZF2/A, QZF8, QZF8/A, QZX1, QZX1/A, QZX4, QZX4/A, QZX5, QZX5/A, SAE1, SAE1/A, SAF1, SAF1/A, SYA, SYA/A, TXF2, TXF2/A, VAB2, VAB2/A, VAB3, VAB3/A, VAF, VAF/A, VAF6, VAF6/A, VDB2, VDB2/A, VDC2, VDC2/A, VEP4, VEP4/A, VXA1, VXA1/A, VXA4, VXA4/A, VXA5, VXA5/A, VXA6, VXA6/A, VXD4, VXD4/A, VXE1, VXE1/A, VXE2, VXE2/A, VXE4, VXE4/A, VXE8, VXE8/A, VXF, VXF/A, VXF4, VXF4/A, VXP2, VXP2/A, VXZ4, VXZ4/A, VYA1, VYA3, VYA3/A, VYE3, VYE3/A, VZA1
12	15625-ZJ1-840	PACKING, OIL FILLER CAP .....	-	-	1	-	-	-----	QAB, QAB/A, QAB6, QAB6/A, QAD2, QAD2/A, QAF, QAF/A, QAF1, QAF1/A, QAF2, QAF2/A, QAF5, QAF5/A, QAF6, QAF6/A, QAF7, QAF7/A, QAF8, QAF8/A, QAF9, QAF9/A, QAX1, QAX1/A, QDF, QDF/A, QDF6, QDF6/A, QDP2, QDP2/A, QDW, QDW/A, QWA6, QWA6/A, QWF6, QWF6/A, QXA, QXA/A, QXA3, QXA3/A, QXA6, QXA6/A, QXB1, QXB1/A, QXC2, QXC2/A, QXE1, QXE1/A, QXE4, QXE4/A, QXE5, QXE5/A, QXE7, QXE7/A, QXE8, QXE8/A, QXF, QXF/A, QXF3, QXF4, QXF4/A, QXF6, QXF6/A, QXF8, QXF8/A, QXW2, QXW2/A, QXW4, QXW4/A, QYA, QYA/A, QYD, QYD/A, QYF, QYF/A, QZB, QZB/A, QZB2, QZB2/A, QZB3, QZB3/A, QZD, QZD/A, QZE3, QZE3/A, QZE4, QZE4/A, QZF1, QZF1/A, QZF2, QZF2/A, QZF8, QZF8/A, QZX1, QZX1/A, QZX4, QZX4/A, QZX5, QZX5/A, SAE1, SAE1/A, SAF1, SAF1/A, SYA, SYA/A, TXF2, TXF2/A, VAB2, VAB2/A, VAB3, VAB3/A, VAF, VAF/A, VAF6, VAF6/A, VDB2, VDB2/A, VDC2, VDC2/A, VEP4, VEP4/A, VXA1, VXA1/A, VXA4, VXA4/A, VXA5, VXA5/A, VXA6, VXA6/A, VXD4, VXD4/A, VXE1, VXE1/A, VXE2, VXE2/A, VXE4, VXE4/A, VXE8, VXE8/A, VXF, VXF/A, VXF4, VXF4/A, VXP2, VXP2/A, VXZ4, VXZ4/A, VYA1, VYA3, VYA3/A, VYE3, VYE3/A, VZA1
13	17101-ZJ1-840	MANIFOLD, INTAKE .....	-	-	1	-	-	-----	
14	17151-ZJ1-841	GASKET, INTAKE MANIFOLD .....	-	-	2	-	-	-----	



E-2-1

CYLINDER HEAD(GX620K1)

E 6



Ref. No.	Part No.	Description	Reqd. QTY					Serial No.	Parts catalogue code
			GX 620	GX 620	GX 620	GX 620	GX 620		
15	18333-ZE3-800	GASKET, EX. PIPE .....	-	-	2	-	-	-	QAB,QAB/A,QAB6,QAB6/A,QAD2,QAD2/A,QAF,QAF/A,QAF1,QAF1/A,QAF2,QAF2/A,QAF5,QAF5/A,QAF6,QAF6/A,QAF7,QAF7/A,QAF8,QAF8/A,QAF9,QAF9/A,QAX1,QAX1/A,QDF,QDF/A,QDF6,QDF6/A,QDP2,QDP2/A,QDW,QDW/A,QWA6,QWA6/A,QWF6,QWF6/A,QXA,QXA/A,QXA3,QXA3/A,QXA6,QXA6/A,QXB1,QXB1/A,QXC2,QXC2/A,QXE1,QXE1/A,QXE4,QXE4/A,QXE5,QXE5/A,QXE7,QXE7/A,QXE8,QXE8/A,QXF,QXF/A,QXF3,QXF4,QXF4/A,QXF6,QXF6/A,QXF8,QXF8/A,QXW2,QXW2/A,QXW4,QXW4/A,QYA,QYA/A,QYD,QYD/A,QYF,QYF/A,QZB,QZB/A,QZB2,QZB2/A,QZB3,QZB3/A,QZD,QZD/A,QZE3,QZE3/A,QZE4,QZE4/A,QZF1,QZF1/A,QZF2,QZF2/A,QZF8,QZF8/A,QZX1,QZX1/A,QZX4,QZX4/A,QZX5,QZX5/A,SAE1,SAE1/A,SAF1,SAF1/A,SYA,SYA/A,TFX2,TFX2/A,VAB2,VAB2/A,VAB3,VAB3/A,VAF,VAF/A,VAF6,VAF6/A,VDB2,VDB2/A,VDC2,VDC2/A,VEP4,VEP4/A,VXA1,VXA1/A,VXA4,VXA4/A,VXA5,VXA5/A,VXA6,VXA6/A,VXD4,VXD4/A,VXE1,VXE1/A,VXE2,VXE2/A,VXE4,VXE4/A,VXE8,VXE8/A,VXF,VXF/A,VXF4,VXF4/A,VXP2,VXP2/A,VXZ4,VXZ4/A,VYA1,VYA3,VYA3/A,VYE3,VYE3/A,VZA1
	18333-ZJ1-000	.....	-	-	2	-	-	2034680	VZE7,VZE8
		.....	-	-	2	-	-	2034681	VZE7/A,VZE8/A
		.....	-	-	2	-	-		VZE7,VZE8
16	19682-ZJ1-840	SHROUD, HEAD .....	-	-	2	-	-		
17	90011-ZJ1-841	BOLT, SOCKET, 8X45 .....	-	-	4	-	-		
18	90014-ZE2-000	BOLT, HEAD COVER .....	-	-	2	-	-		
19	90014-952-000	BOLT, FLANGE, 6X14(CT200) .....	-	-	2	-	-		
20	90018-ZJ1-840	BOLT, STUD, 8X22 .....	-	-	4	-	-		
21	90441-ZE2-010	WASHER COMP., HEAD COVER .....	-	-	2	-	-		
22	94050-08000	NUT, FLANGE, 8MM .....	-	-	4	-	-		

Ref. No.	Part No.	Description	Reqd. QTY					Serial No.	Parts catalogue code
			GX 620	GX 620	GX 620 K1	GX 620	GX 620 K1		
			(1)	(2)	(1)	(3)	(2)		
23	94301-12200	DOWEL PIN, 12X20 .....	-	-	4	-	-		
24	95701-08020-00	BOLT, FLANGE, 8X20 .....	-	-	1	-	-	QAF2, QAF2/A, QXE4, QXE4/A, TXF2, TXF2/A	
			-	-	2	-	-	QAB, QAB/A, QAB6, QAB6/A, QAD2, QAD2/A, QAF, QAF/A, QAF1, QAF1/A QAF5, QAF5/A, QAF6, QAF6/A, QAF7, QAF7/A, QAF8, QAF8/A, QAF9 QAF9/A, QAX1, QAX1/A, QDF, QDF/A, QDF6, QDF6/A, QDP2, QDP2/A, QDW QDW/A, QWA6, QWA6/A, QWF6, QWF6/A, QXA, QXA/A, QXA3, QXA3/A, QXA6 QXA6/A, QXB1, QXB1/A, QXC2, QXC2/A, QXE1, QXE1/A, QXE5, QXE5/A, QXF QXF/A, QXF3, QXF4, QXF4/A, QXF6, QXF6/A, QYA, QYA/A, QYD, QYD/A, QYF QYF/A, QZB, QZB/A, QZB2, QZB2/A, QZB3, QZB3/A, QZD, QZD/A, QZE3 QZE3/A, QZE4, QZE4/A, QZF1, QZF1/A, QZF2, QZF2/A, QZF8, QZF8/A QZX1, QZX1/A, QZX4, QZX4/A, QZX5, QZX5/A, SAE1, SAE1/A, SAF1 SAF1/A, SYA, SYA/A, VAB2, VAB2/A, VAB3, VAB3/A, VAF, VAF/A, VAF6 VAF6/A, VDB2, VDB2/A, VDC2, VDC2/A, VEP4, VEP4/A, VXA1, VXA1/A VXA4, VXA4/A, VXA5, VXA5/A, VXA6, VXA6/A, VXD4, VXD4/A, VXE1 VXE1/A, VXE2, VXE2/A, VXE4, VXE4/A, VXE8, VXE8/A, VXF, VXF/A, VXF4 VXF4/A, VXP2, VXP2/A, VXZ4, VXZ4/A, VYA1, VYA3, VYA3/A, VYE3 VYE3/A, VZA1, VZE7, VZE7/A, VZE8, VZE8/A	
25	95701-10080-00	BOLT, FLANGE, 10X80 .....	-	-	8	-	-		
26	98079-52876	PLUG, SPARK (BPR2ES)(NGK) ...	-	-	(2)	-	-	QAB, QAB/A, QAB6, QAB6/A, QAD2, QAD2/A, QAF, QAF/A, QAF1, QAF1/A QAF2, QAF2/A, QAF5, QAF5/A, QAF6, QAF6/A, QAF7, QAF7/A, QAF8 QAF8/A, QAF9, QAF9/A, QAX1, QAX1/A, QDF, QDF/A, QDF6, QDF6/A, QDP2 QDP2/A, QDW, QDW/A, QWA6, QWA6/A, QWF6, QWF6/A, QXA, QXA/A, QXA3 QXA3/A, QXA6, QXA6/A, QXB1, QXB1/A, QXC2, QXC2/A, QXE1, QXE1/A QXE4, QXE4/A, QXE5, QXE5/A, QXE7, QXE7/A, QXE8, QXE8/A, QXF, QXF/A QXF4, QXF4/A, QXF6, QXF6/A, QXF8, QXF8/A, QXW2, QXW2/A, QXW4 QXW4/A, QYA, QYA/A, QYD, QYD/A, QYF, QYF/A, QZB, QZB/A, QZB2, QZB2/A QZB3, QZB3/A, QZD, QZD/A, QZE3, QZE3/A, QZE4, QZE4/A, QZF1, QZF1/A QZF2, QZF2/A, QZF8, QZF8/A, QZX1, QZX1/A, QZX4, QZX4/A, QZX5 QZX5/A, SAE1, SAE1/A, SAF1, SAF1/A, SYA, SYA/A, TXF2, TXF2/A, VAB2 VAB2/A, VAB3, VAB3/A, VAF, VAF/A, VAF6, VAF6/A, VDB2, VDB2/A, VDC2 VDC2/A, VEP4, VEP4/A, VXA1, VXA1/A, VXA4, VXA4/A, VXA5, VXA5/A VXA6, VXA6/A, VXD4, VXD4/A, VXE1, VXE1/A, VXE2, VXE2/A, VXE4 VXE4/A, VXE8, VXE8/A, VXF, VXF/A, VXF4, VXF4/A, VXP2, VXP2/A, VXZ4 VXZ4/A, VYA3, VYA3/A, VYE3, VYE3/A, VZE7, VZE7/A, VZE8, VZE8/A SYA, SYA/A	
98079-5485V	PLUG, SPARK (J14CR-U)(DENSO)		-	-	2	-	-	QAB, QAB/A, QAB6, QAB6/A, QAD2, QAD2/A, QAF, QAF/A, QAF1, QAF1/A QAF2, QAF2/A, QAF5, QAF5/A, QAF6, QAF6/A, QAF7, QAF7/A, QAF8 QAF8/A, QAF9, QAF9/A, QAX1, QAX1/A, QDF, QDF/A, QDF6, QDF6/A, QDP2 QDP2/A, QDW, QDW/A, QWA6, QWA6/A, QWF6, QWF6/A, QXA, QXA/A, QXA3 QXA3/A, QXA6, QXA6/A, QXB1, QXB1/A, QXC2, QXC2/A, QXE1, QXE1/A QXE4, QXE4/A, QXE5, QXE5/A, QXE7, QXE7/A, QXE8, QXE8/A, QXF, QXF/A QXF4, QXF4/A, QXF6, QXF6/A, QXF8, QXF8/A, QXW2, QXW2/A, QXW4 QXW4/A, QYA, QYA/A, QYD, QYD/A, QYF, QYF/A, QZB, QZB/A, QZB2, QZB2/A QZB3, QZB3/A, QZD, QZD/A, QZE3, QZE3/A, QZE4, QZE4/A, QZF1, QZF1/A QZF2, QZF2/A, QZF8, QZF8/A, QZX1, QZX1/A, QZX4, QZX4/A, QZX5 QZX5/A, SAE1, SAE1/A, SAF1, SAF1/A, TXF2, TXF2/A, VAB2, VAB2/A VAB3, VAB3/A, VAF, VAF/A, VAF6, VAF6/A, VDB2, VDB2/A, VDC2, VDC2/A VEP4, VEP4/A, VXA1, VXA1/A, VXA4, VXA4/A, VXA5, VXA5/A, VXA6 VXA6/A, VXD4, VXD4/A, VXE1, VXE1/A, VXE2, VXE2/A, VXE4, VXE4/A VXE8, VXE8/A, VXF, VXF/A, VXF4, VXF4/A, VXP2, VXP2/A, VXZ4, VXZ4/A VYA3, VYA3/A, VYE3, VYE3/A, VZE7, VZE7/A, VZE8, VZE8/A	

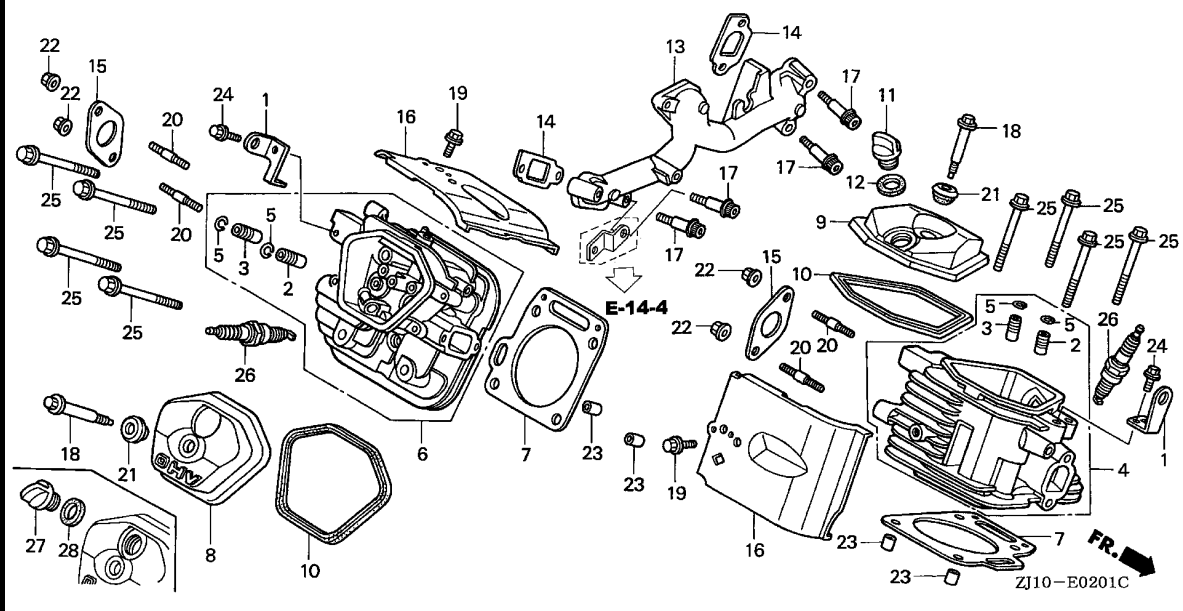




E-2-1

CYLINDER HEAD(GX620K1)

E 8



Ref. No.	Part No.	Description	Reqd. QTY					Serial No.	Parts catalogue code
			GX 620	GX 620	GX 620 K1	GX 620	GX 620		
26)	98079-5487V	PLUG, SPARK (ZGR4A)	-	-	2	-	-	SYA, SYA/A	
			-	-	(2)	-	-	QAB, QAB/A, QAB6, QAB6/A, QAD2, QAD2/A, QAF, QAF/A, QAF1, QAF1/A, QAF2, QAF2/A, QAF5, QAF5/A, QAF6, QAF6/A, QAF7, QAF7/A, QAF8, QAF8/A, QAF9, QAF9/A, QAX1, QAX1/A, QDF, QDF/A, QDF6, QDF6/A, QDP2, QDP2/A, QDW, QDW/A, QWA6, QWA6/A, QWF6, QWF6/A, QXA, QXA/A, QXA3, QXA3/A, QXA6, QXA6/A, QXB1, QXB1/A, QXC2, QXC2/A, QXE1, QXE1/A, QXE4, QXE4/A, QXE5, QXE5/A, QXE7, QXE7/A, QXE8, QXE8/A, QXF, QXF/A, QXF4, QXF4/A, QXF6, QXF6/A, QXF8, QXF8/A, QXW2, QXW2/A, QXW4, QXW4/A, QYA, QYA/A, QYD, QYD/A, QYF, QYF/A, QZB, QZB/A, QZB2, QZB2/A, QZB3, QZB3/A, QZD, QZD/A, QZE3, QZE3/A, QZE4, QZE4/A, QZF1, QZF1/A, QZF2, QZF2/A, QZF8, QZF8/A, QZX1, QZX1/A, QZX4, QZX4/A, QZX5, QZX5/A, SAE1, SAE1/A, SAF1, SAF1/A, TXF2, TXF2/A, VAB2, VAB2/A, VAB3, VAB3/A, VAF, VAF/A, VAF6, VAF6/A, VDB2, VDB2/A, VDC2, VDC2/A, VEP4, VEP4/A, VXA1, VXA1/A, VXA4, VXA4/A, VXA5, VXA5/A, VXA6, VXA6/A, VXD4, VXD4/A, VXE1, VXE1/A, VXE2, VXE2/A, VXE4, VXE4/A, VXE8, VXE8/A, VXF, VXF/A, VXF4, VXF4/A, VXP2, VXP2/A, VXZ4, VXZ4/A, VYA3, VYA3/A, VYE3, VYE3/A, VZE7, VZE7/A, VZE8, VZE8/A	

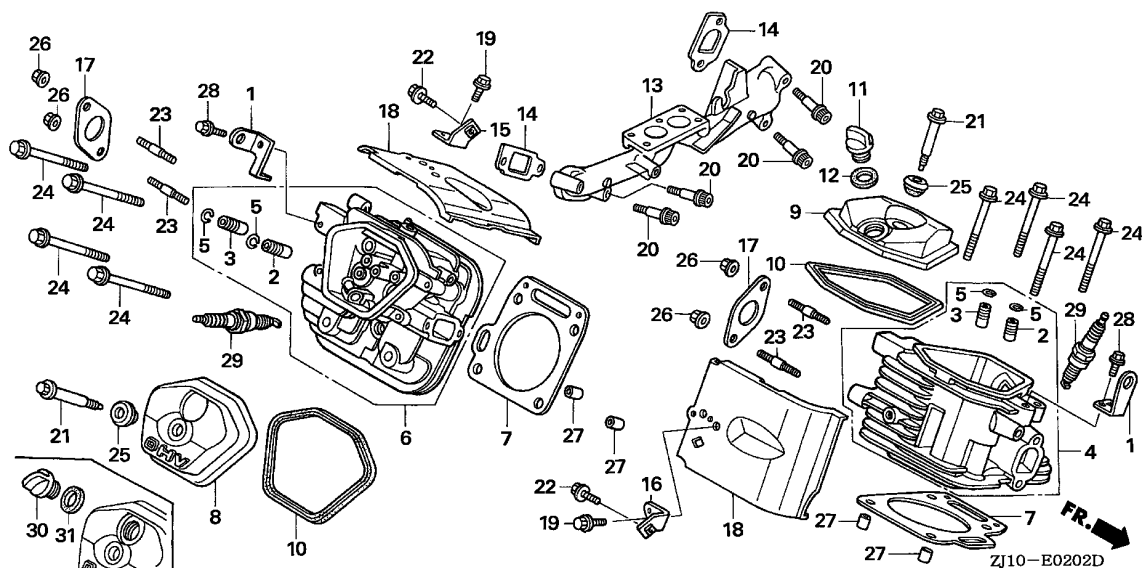
Ref. No.	Part No.	Description	Reqd. QTY					Serial No.	Parts catalogue code
			GX 620	GX 620	GX 620 K1	GX 620	GX 620 K1		
26)	98079-5585V	PLUG, SPARK (J16CR-U)(DENSO)	-	-	2	-	-	-----	QAB, QAB/A, QAB6, QAB6/A, QAD2, QAD2/A, QAF, QAF/A, QAF1, QAF1/A, QAF2, QAF2/A, QAF5, QAF5/A, QAF6, QAF6/A, QAF7, QAF7/A, QAF8, QAF8/A, QAF9, QAF9/A, QAX1, QAX1/A, QDF, QDF/A, QDF6, QDF6/A, QDP2, QDP2/A, QDW, QDW/A, QWA6, QWA6/A, QWF6, QWF6/A, QXA, QXA/A, QXA3, QXA3/A, QXA6, QXA6/A, QXB1, QXB1/A, QXC2, QXC2/A, QXE1, QXE1/A, QXE4, QXE4/A, QXE5, QXE5/A, QXE7, QXE7/A, QXE8, QXE8/A, QXF, QXF/A, QXF3, QXF4, QXF4/A, QXF6, QXF6/A, QXF8, QXF8/A, QXW2, QXW2/A, QXW4, QXW4/A, QYA, QYA/A, QYD, QYD/A, QYF, QYF/A, QZB, QZB/A, QZB2, QZB2/A, QZB3, QZB3/A, QZD, QZD/A, QZE3, QZE3/A, QZE4, QZE4/A, QZF1, QZF1/A, QZF2, QZF2/A, QZF8, QZF8/A, QZX1, QZX1/A, QZX4, QZX4/A, QZX5, QZX5/A, SAE1, SAE1/A, SAF1, SAF1/A, TXF2, TXF2/A, VAB2, VAB2/A, VAB3, VAB3/A, VAF, VAF/A, VAF6, VAF6/A, VDB2, VDB2/A, VDC2, VDC2/A, VEP4, VEP4/A, VXA1, VXA1/A, VXA4, VXA4/A, VXA5, VXA5/A, VXA6, VXA6/A, VXD4, VXD4/A, VXE1, VXE1/A, VXE2, VXE2/A, VXE4, VXE4/A, VXE8, VXE8/A, VXF, VXF/A, VXF4, VXF4/A, VXP2, VXP2/A, VXZ4, VXZ4/A, VYA1, VYA3, VYA3/A, VYE3, VYE3/A, VZA1, VZE7, VZE7/A, VZE8, VZE8/A
	98079-5587V	PLUG, SPARK (ZGR5A) .....	-	-	2	-	-	-----	QAB, QAB/A, QAB6, QAB6/A, QAD2, QAD2/A, QAF, QAF/A, QAF1, QAF1/A, QAF2, QAF2/A, QAF5, QAF5/A, QAF6, QAF6/A, QAF7, QAF7/A, QAF8, QAF8/A, QAF9, QAF9/A, QAX1, QAX1/A, QDF, QDF/A, QDF6, QDF6/A, QDP2, QDP2/A, QDW, QDW/A, QWA6, QWA6/A, QWF6, QWF6/A, QXA, QXA/A, QXA3, QXA3/A, QXA6, QXA6/A, QXB1, QXB1/A, QXC2, QXC2/A, QXE1, QXE1/A, QXE4, QXE4/A, QXE5, QXE5/A, QXE7, QXE7/A, QXE8, QXE8/A, QXF, QXF/A, QXF3, QXF4, QXF4/A, QXF6, QXF6/A, QXF8, QXF8/A, QXW2, QXW2/A, QXW4, QXW4/A, QYA, QYA/A, QYD, QYD/A, QYF, QYF/A, QZB, QZB/A, QZB2, QZB2/A, QZB3, QZB3/A, QZD, QZD/A, QZE3, QZE3/A, QZE4, QZE4/A, QZF1, QZF1/A, QZF2, QZF2/A, QZF8, QZF8/A, QZX1, QZX1/A, QZX4, QZX4/A, QZX5, QZX5/A, SAE1, SAE1/A, SAF1, SAF1/A, TXF2, TXF2/A, VAB2, VAB2/A, VAB3, VAB3/A, VAF, VAF/A, VAF6, VAF6/A, VDB2, VDB2/A, VDC2, VDC2/A, VEP4, VEP4/A, VXA1, VXA1/A, VXA4, VXA4/A, VXA5, VXA5/A, VXA6, VXA6/A, VXD4, VXD4/A, VXE1, VXE1/A, VXE2, VXE2/A, VXE4, VXE4/A, VXE8, VXE8/A, VXF, VXF/A, VXF4, VXF4/A, VXP2, VXP2/A, VXZ4, VXZ4/A, VYA1, VYA3, VYA3/A, VYE3, VYE3/A, VZA1, VZE7, VZE7/A, VZE8, VZE8/A
27	15611-MB0-000	CAP, OIL FILLER .....	-	-	1	-	-	-----	VZE7, VZE7/A, VZE8, VZE8/A
28	15625-ZJ1-840	PACKING, OIL FILLER CAP .....	-	-	1	-	-	-----	VZE7, VZE7/A, VZE8, VZE8/A



E-2-2

CYLINDER HEAD(GX620K1)(PROPANE)

E10



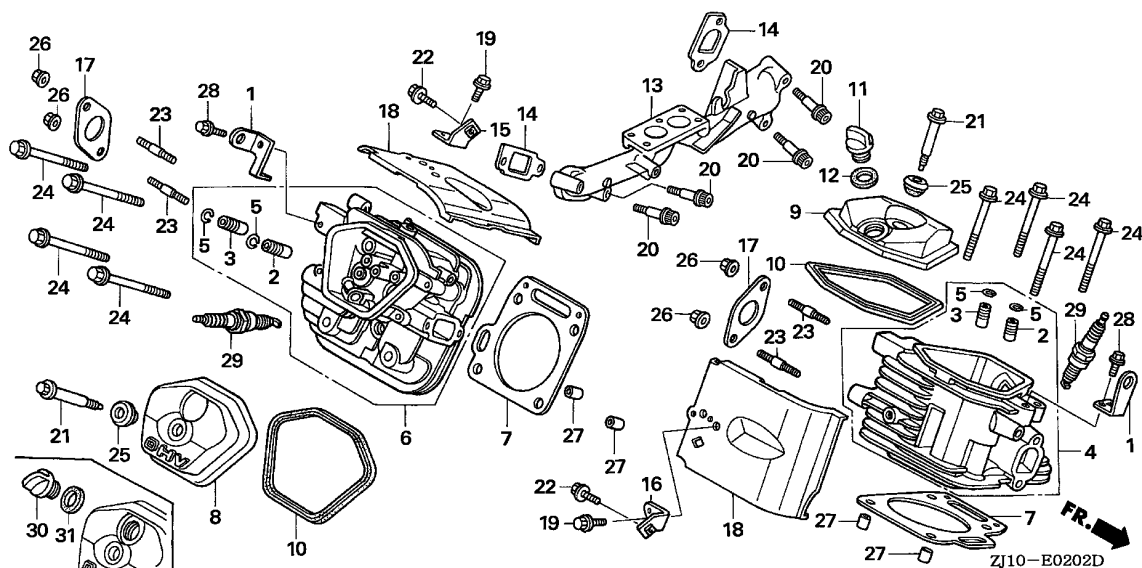
Ref. No.	L.O.N.	(Relative ref. Number) Description	F.R.T.
4	1111F2	HEAD, CYLINDER :LEFT BANK .... .INCLUDES: Valve clearance adjustment and reface	1.6
	1111L4	HEAD, CYLINDER :BOTH BANKS ... .INCLUDES: Valve clearance adjustment and reface	2.4
6	1111F3	HEAD, CYLINDER :RIGHT BANK ... .INCLUDES: Valve clearance adjustment and reface	1.6
	1111L4	HEAD, CYLINDER :BOTH BANKS ... .INCLUDES: Valve clearance adjustment and reface	2.4
7	1111M4	GASKET, CYLINDER HEAD :LEFT ..	1.2
	1111M5	GASKET, CYLINDER HEAD :RIGHT ..	1.2
	1111M6	GASKET, CYLINDER HEAD :BOTH ..	1.6
8	1111D4	COVER, CYLINDER HEAD AND/OR PACKING, HEAD COVER :RIGHT ..	0.2
	1111L5	COVER, CYLINDER HEAD AND/OR PACKING, HEAD COVER :BOTH ...	0.3
9	1111D3	COVER, CYLINDER HEAD AND/OR PACKING, HEAD COVER :LEFT ...	0.2
	1111L5	COVER, CYLINDER HEAD AND/OR PACKING, HEAD COVER :BOTH ...	0.3

Ref. No.	Part No.	Description	Reqd. QTY					Serial No.	Parts catalogue code
			GX 620 (1)	GX 620 (2)	GX 620 K1 (1)	GX 620 (3)	GX 620 K1 (2)		
1	11911-ZJ1-840	HANGER, ENGINE .....	-	-	-	-	2		
2	12204-ZE2-306	GUIDE, IN. VALVE (O.S.) .....	-	-	-	-	(2)		
3	12205-ZJ1-405	GUIDE, EX. VALVE (O.S.) .....	-	-	-	-	(2)		
4	12210-ZJ1-407	HEAD COMP., CYLINDER (#1) ...	-	-	-	-	1		
5	12216-ZE2-300	CLIP, VALVE GUIDE .....	-	-	-	-	4		
6	12220-ZJ1-406	HEAD COMP., CYLINDER (#2) ...	-	-	-	-	1		
7	12251-ZN1-821	GASKET, CYLINDER HEAD .....	-	-	-	-	2		
8	12311-ZJ1-840	COVER, HEAD .....	-	-	-	-	1	VXC1,VXC1/A,VXC2,VXC2/A	
	12314-ZJ1-840	COVER, HEAD FILLER .....	-	-	-	-	1	VXC,VXC/A	
9	12314-ZJ1-840	COVER, HEAD FILLER .....	-	-	-	-	1	VXC1,VXC1/A,VXC2,VXC2/A	
	12311-ZJ1-840	COVER, HEAD .....	-	-	-	-	1	VXC,VXC/A	
10	12391-ZE2-020	PACKING, HEAD COVER .....	-	-	-	-	2		
11	15611-MB0-000	CAP, OIL FILLER .....	-	-	-	-	1	VXC1,VXC1/A,VXC2,VXC2/A	
12	15625-ZJ1-840	PACKING, OIL FILLER CAP .....	-	-	-	-	1	VXC1,VXC1/A,VXC2,VXC2/A	
13	17101-ZN1-000	MANIFOLD, INTAKE .....	-	-	-	-	1		
14	17151-ZJ1-841	GASKET, INTAKE MANIFOLD .....	-	-	-	-	2		
15	17213-ZJ4-830	BRACKET, R. AIR CLEANER .....	-	-	-	-	1		
16	17214-ZJ4-830	BRACKET, L. AIR CLEANER .....	-	-	-	-	1		
17	18333-ZE3-800	GASKET, EX. PIPE .....	-	-	-	-	2		
18	19682-ZJ1-840	SHROUD, HEAD .....	-	-	-	-	2		
19	90002-ZJ1-840	BOLT, FLANGE, 6MM .....	-	-	-	-	2		
20	90011-ZJ1-841	BOLT, SOCKET, 8X45 .....	-	-	-	-	4		
21	90014-ZE2-000	BOLT, HEAD COVER .....	-	-	-	-	2		
22	90014-952-000	BOLT, FLANGE, 6X14(CT200) ...	-	-	-	-	2		

E-2-2

CYLINDER HEAD(GX620K1)(PROPANE)

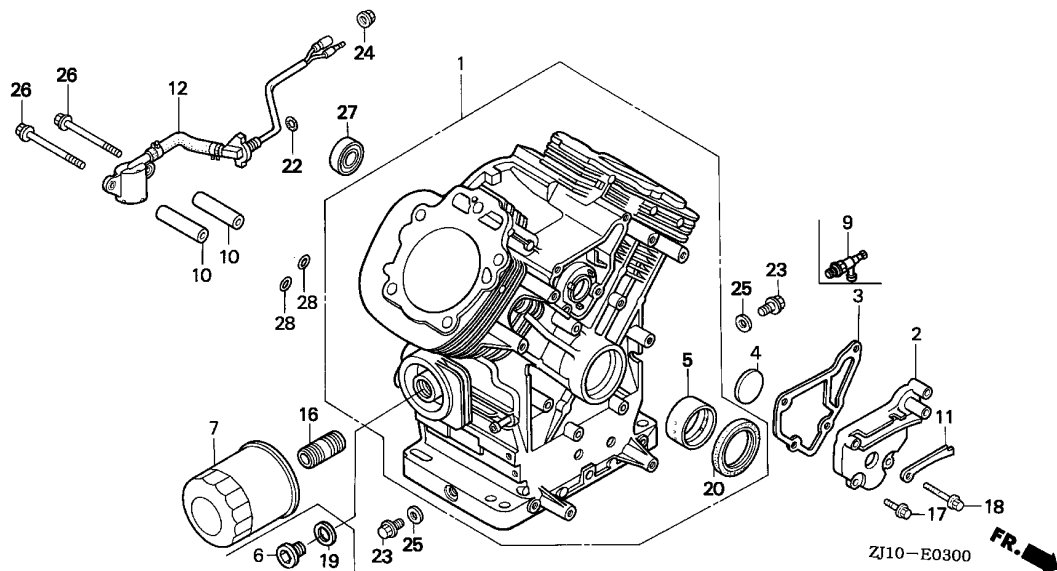
E11



Ref. No.	L.O.N.	(Relative ref. Number) Description	F.R.T.
13	3111C4	MANIFOLD, INTAKE .....	0.5
14	3111B6	GASKET, INTAKE MANIFOLD .....	0.5
.NOTE: Same time for two units			
17	3131J1	GASKET, EXHAUST PIPE :LEFT ..	0.4
	3131J2	GASKET, EXHAUST PIPE :RIGHT ..	0.4
18	4141J8	SHROUD, CYLINDER HEAD :LEFT ..	0.4
	4141J9	SHROUD, CYLINDER HEAD :RIGHT ..	0.4
29	6141E6	PLUG, SPARK :LEFT BANK .....	0.1
	6141E7	PLUG, SPARK :RIGHT BANK .....	0.1
	6141E8	PLUG, SPARK :BOTH BANKS .....	0.2

Ref. No.	Part No.	Description	Reqd. QTY					Serial No.	Parts catalogue code
			GX 620 (1)	GX 620 (2)	GX 620 K1 (1)	GX 620 (3)	GX 620 K1 (2)		
23	90018-ZJ1-840	BOLT, STUD, 8X22 .....	-	-	-	-	4		
24	90081-KK0-000	BOLT, FLANGE, 10X81 .....	-	-	-	-	8		
25	90441-ZE2-010	WASHER COMP., HEAD COVER .....	-	-	-	-	2		
26	94050-08000	NUT, FLANGE, 8MM .....	-	-	-	-	4		
27	94301-12200	DOWEL PIN, 12X20 .....	-	-	-	-	4		
28	95701-08020-00	BOLT, FLANGE, 8X20 .....	-	-	-	-	2		
29	98079-5547V	PLUG, SPARK (ZGR5A-4) .....	-	-	-	-	2		
30	15611-MB0-000	CAP, OIL FILLER .....	-	-	-	-	1	----- VXC,VXC/A	
31	15625-ZJ1-840	PACKING, OIL FILLER CAP .....	-	-	-	-	1	----- VXC,VXC/A	

2



Ref. No.	L.O.N.	(Relative ref. Number) Description	F.R.T.
1	1101A0	BARREL, CYLINDER .....	4.0
2		(3)	
	1111D1	COVER, BREATHER AND/OR PACKING, BREATHER COVER .....	0.9
4	1111K9	VALVE, BREATHER .....	0.9
5	1101A4	BEARING, CRANKSHAFT :FRONT ...	3.6
7	110175	CARTRIDGE, OIL FILTER .....	0.2
9	1171A9	VALVE, OIL SHUT-OFF .....	0.1
12		(22)	
	6151E8	SWITCH, OIL LEVEL .....	1.2
20	1101E4	OIL SEAL, CRANKSHAFT :FRONT ..	3.5
25		(19)	
	1101D5	WASHER, DRAIN PLUG .....	0.1
27	1111A9	BEARING, CAMSHAFT .....	2.0

Ref. No.	Part No.	Description	Reqd. QTY					Serial No.	Parts catalogue code
			GX 620	GX 620	GX 620 K1	GX 620 (3)	GX 620 K1 (2)		
1	12000-ZJ1-000	BARREL ASSY., CYLINDER .....	1	-	-	-	-	QAB,QAB4,QAB6,QAC6,QAF,QAF1,QAF2,QAF3,QAF4,QAF5,QAF6,QAF7,QAF8,QAP2,QDA1,QDE1,QDF,QDF4,QDF6,QDW,QYF,QYF4,QYF6,SAE1SAF1,VAF,VAF4,VAF6,VZF1	
	12000-ZJ1-810	.....	-	(1)	-	-	-	QXA,QXA1,QXA3,QXA4,QXA6,QXC4,QXE1,QXE3,QXF1,QXF3,QXF6,QYA,QYA4,QZX4,TFX2,VXA1,VXA3,VXE1,VXE2,VXE4,VXE8,VXZ4,VYA1,VYA3,VZA1,VZA3,VZD,VZE1,VZE5,VZE7,VZE8	
	12000-ZJ1-820	BARREL ASSY., CYLINDER (W/O-PUMP)	-	-	-	1	-	QAFP,QAFU,VAFP,VAFU	
	12000-ZJ1-900	BARREL ASSY., CYLINDER (LT) -	1	-	-	-	-	QZZ	
	12000-ZJ1-830	BARREL ASSY., CYLINDER (OIL ALERT W/O-PUMP)	1	-	-	1	-	QXAP,QXAU,QXB1,VABP,VXAP,VXAU	
2	12356-ZJ1-000	COVER, BREATHER .....	1	1	-	1	-		
3	12358-ZJ1-000	PACKING, BREATHER COVER .....	1	1	-	1	-		
4	12372-ZE2-300	VALVE, BREATHER .....	1	1	-	1	-		
5	13321-ZJ1-000	BEARING A, MAIN (BLUE) .....	1	1	-	1	-		
	13322-ZJ1-000	BEARING B, MAIN (BLACK) .....	1	1	-	1	-		
	13323-ZJ1-000	BEARING C, MAIN (BROWN) .....	1	1	-	1	-		
6	15233-PK1-000	BOLT, SEALING, 20MM .....	1	-	-	1	-	QAB,QAB4,QAB6,QDA1,QXA,QXAP,QXAU,QXA1,QXA3,QXA4,QXA6,QXB1QYA,QYA4,VXAP,VXAU,VXA1,VXA3,VYA1,VYA3,VZA1,VZA3	
7	15400-PR3-004	CARTRIDGE, OIL FILTER (TOYO ROKI)	-	(1)	-	-	-	QAC6,QAFP,QAFU,QDW,QYF6,VAFU	

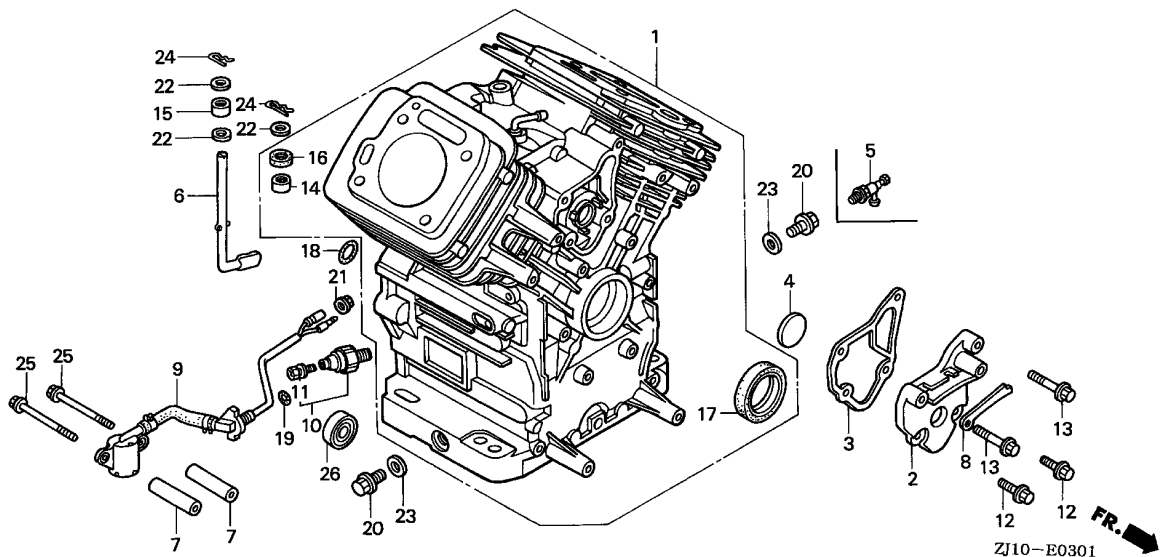
Ref. No.	Part No.	Description	Reqd. QTY					Serial No.	Parts catalogue code
			GX 620	GX 620	GX 620 K1	GX 620	GX 620 K1		
			(1)	(2)	(1)	(3)	(2)		
(7)	15400-ZJ1-004	CARTRIDGE, OIL FILTER (TOYO ROKI)	1	-	-	1	-	-----	QAF, QAF1, QAF2, QAF3, QAF4, QAF5, QAF6, QAF7, QAF8, QAP2, QDE1, QDF, QDF4, QDF6, QXC4, QXE1, QXE3, QXF1, QXF3, QXF6, QYA, QYF, QYF4, QZX4, QZZ, SAE1, SAF1, TXF2, VABP, VAF, VAFP, VAF4, VAF6, VXE1, VXE2, VXE4, VXE8, VXZ4, VZD, VZE1, VZE5, VZE7, VZE8, VZF1
9	15558-ZJ1-003	VALVE, OIL SHUT-OFF .....	(1)	(1)	-	(1)	-	-----	
10	25523-VD6-010	COLLAR, FILTER SETTING .....	2	-	-	2	-	-----	QXA, QXAP, QXAU, QXA1, QXA3, QXA4, QXA6, QXB1, QXC4, QXE1, QXE3, QXF1, QXF3, QXF6, QYA, QYA4, QZX4, TXF2, VABP, VXAP, VXAU, VXA1, VXE1, VXE2, VXE4, VXE8, VXZ4, VYA1, VYA3, VZA1, VZA3, VZD, VZE1, VZE5, VZE7, VZE8, VXA3
			2	-	-	-	-	1010339	-----
			-	(2)	-	-	-		
11	31511-ZJ1-000	CLAMPER, CORD .....	1	1	-	1	-	-----	
12	35480-ZJ1-812	SWITCH ASSY., OIL LEVEL .....	1	-	-	1	-	-----	QXA, QXAP, QXAU, QXA1, QXA3, QXA4, QXA6, QXB1, QXC4, QXE1, QXE3, QXF1, QXF3, QXF6, QYA, QYA4, QZX4, TXF2, VABP, VXAP, VXAU, VXA1, VXE1, VXE2, VXE4, VXE8, VXZ4, VYA1, VYA3, VZA1, VZA3, VZD, VZE1, VZE5, VZE7, VZE8, VXA3
			1	-	-	-	-	1010339	-----
			-	(1)	-	-	-		
16	90018-PN3-000	HOLDER, OIL FILTER .....	1	-	-	1	-	-----	QAC6, QAF, QAFP, QAFU, QAF1, QAF2, QAF3, QAF4, QAF5, QAF6, QAF7, QAF8, QAP2, QDE1, QDF, QDF4, QDF6, QDW, QXC4, QXE1, QXE3, QXF1, QXF3, QXF6, QYF, QYF4, QYF6, QZX4, QZZ, SAE1, SAF1, TXF2, VABP, VAF, VAFP, VAFU, VAF4, VAF6, VXE1, VXE2, VXE4, VXE8, VXZ4, VZD, VZE1, VZE5, VZE7, VZE8, VZF1
17	90029-888-000	BOLT, FLANGE, 6X16(CT200) ...	2	2	-	2	-	-----	
18	90031-ZE1-000	BOLT, FLANGE, 6X32 .....	2	2	-	2	-	-----	
19	90442-ME5-000	WASHER, SEALING, 20MM .....	1	-	-	1	-	-----	QAB, QAB4, QAB6, QDA1, QXA, QXAP, QXAU, QXA1, QXA3, QXA4, QXA6, QXB1, QYA, QYA4, VXAP, VXAU, VXA1, VXA3, VYA1, VYA3, VZA1, VZA3
			-	(1)	-	-	-	-----	
20	91201-ZJ1-003	OIL SEAL, 38X58X11 .....	1	1	-	1	-	-----	
22	91353-671-004	O-RING, 14MM(NOK) .....	1	-	-	1	-	-----	QXA, QXAP, QXAU, QXA1, QXA3, QXA4, QXA6, QXB1, QXC4, QXE1, QXE3, QXF1, QXF3, QXF6, QYA, QYA4, QZX4, TXF2, VABP, VXAP, VXAU, VXA1, VXE1, VXE2, VXE4, VXE8, VXZ4, VYA1, VYA3, VZA1, VZA3, VZD, VZE1, VZE5, VZE7, VZE8, VXA3
			1	-	-	-	-	1010339	-----
			-	(1)	-	-	-		
23	92800-14000	BOLT, DRAIN PLUG, 14MM .....	2	2	-	2	-	-----	
24	94050-10000	NUT, FLANGE, 10MM .....	1	-	-	1	-	-----	QXA, QXAP, QXAU, QXA1, QXA3, QXA4, QXA6, QXB1, QXC4, QXE1, QXE3, QXF1, QXF3, QXF6, QYA, QYA4, QZX4, TXF2, VABP, VXAP, VXAU, VXA1, VXE1, VXE2, VXE4, VXE8, VXZ4, VYA1, VYA3, VZA1, VZA3, VZD, VZE1, VZE5, VZE7, VZE8, VXA3
			1	-	-	-	-	1010339	-----
			-	(1)	-	-	-		
25	94109-14000	WASHER, DRAIN PLUG, 14MM .....	2	2	-	2	-	-----	
26	95701-06075-09	BOLT, FLANGE, 6X75 .....	2	-	-	2	-	-----	QXA, QXAP, QXAU, QXA1, QXA3, QXA4, QXA6, QXB1, QXC4, QXE1, QXE3, QXF1, QXF3, QXF6, QYA, QYA4, QZX4, TXF2, VABP, VXAP, VXAU, VXA1, VXE1, VXE2, VXE4, VXE8, VXZ4, VYA1, VYA3, VZA1, VZA3, VZD, VZE1, VZE5, VZE7, VZE8, VXA3
			2	-	-	-	-	1010339	-----
			-	(2)	-	-	-		
27	96140-60030-10	BEARING, RADIAL BALL, 6003 ..	1	1	-	1	-	-----	
28	91302-MB6-830	O-RING, 13X3.0 .....	2	2	-	2	-	-----	



E-3-1

CYLINDER BARREL(GX620K1)

E14



Ref. No.	L.O.N.	(Relative ref. Number) Description	F.R.T.
1	1101A0	BARREL, CYLINDER .....	4.0
2		(3)	
	1111D1	COVER, BREATHER AND/OR PACKING, BREATHER COVER .....	0.9
4	1111K9	VALVE, BREATHER .....	0.9
5	1171A9	VALVE, OIL SHUT-OFF .....	0.1
6	1161B4	SHAFT, GOVERNOR ARM .....	1.3
9		(19)	
	6151E8	SWITCH, OIL LEVEL .....	1.2
10	6151E4	SWITCH, OIL PRESSURE .....	0.2
14		(15)	
	1101A9	BEARING, GOVERNOR SHAFT .....	1.4
16	1101C4	OIL SEAL, GOVERNOR ARM SHAFT .....	1.3
17	1101E4	OIL SEAL, CRANKSHAFT :FRONT .....	3.5
23	1101D5	WASHER, DRAIN PLUG .....	0.1
26	1111A9	BEARING, CAMSHAFT .....	2.0

2

Ref. No.	Part No.	Description	Reqd. QTY					Serial No.	Parts catalogue code
			GX 620 (1)	GX 620 (2)	GX 620 K1 (1)	GX 620 (3)	GX 620 K1 (2)		
1	12000-ZJ1-840	BARREL ASSY., CYLINDER .....	-	-	1	-	-	2031388	QAB,QAB6,QAF,QAF1,QAF2,QAF5,QAF6,QAF7,QAF8,QDF,QDF6,QDW QYF,QZD,SAE1,SAF1,VAF,VAF6
	12000-ZJ1-850	BARREL ASSY., CYLINDER (OIL ALERT)	-	-	1	-	-	2031986	QXA,QXA3,QXA6,QXE1,QXE4,QXE5,QXF,QXF3,QXF4,QXF6,QYA,QZB QZE3,QZE4,QZF1,QZF2,QZX4,VXE1,VXE4,VXE8,VXF,VXF4,VXZ4,VYA1 VYA3,VZA1,VZE7,VZE8
	12000-ZJ1-860	BARREL ASSY., CYLINDER (OIL ALERT W/O-PUMP)	-	-	1	-	-	2031851	QXE7,QXE8
	12000-ZJ1-405	BARREL ASSY., CYLINDER .....	-	-	1	-	-	2031389	QAB/A,QAB6/A,QAF/A,QAF1/A,QAF2/A,QAF5/A,QAF6/A,QAF7/A QAF8/A,QAF9,QAF9/A,QDF/A,QDF6/A,QDP2,QDP2/A,QDW/A,QYF/A QZD/A,SAE1/A,SAF1/A,SYA,SYA/A,VAB2,VAB2/A,VAB3,VAB3/A VAF/A,VAF6/A,VDC2,VDC2/A
	12000-ZJ1-406	.....	-	-	1	-	-	2031389	QAB,QAB6,QAF,QAF1,QAF2,QAF5,QAF6,QAF7,QAF8,QDF,QDF6,QDW QYF,QZD,SAE1,SAF1,VAF,VAF6
	12000-ZJ1-407	.....	-	-	1	-	1	2031987	QWA6,QWA6/A,QWF6,QWF6/A,QXA/A,QXA3/A,QXA6/A,QXC2,QXC2/A QXE1/A,QXE4/A,QXE5/A,QXF/A,QXF4/A,QXF6/A,QYA/A,QZB/A,QZB2 QZB2/A,QZB3,QZB3/A,QZE3/A,QZE4/A,QZF1/A,QZF2/A,QZF8,QZF8/A QZX4/A,QZX5,QZX5/A,TXF2,TXF2/A,VDB2,VDB2/A,VEP4,VEP4/A VXA1,VXA1/A,VXA4,VXA4/A,VXA5,VXA5/A,VXA6,VXA6/A,VXD4 VXD4/A,VXE1/A,VXE2,VXE2/A,VXE4/A,VXE8/A,VXF/A,VXF4/A,VXP2 VXP2/A,VXZ4/A,VYA3/A,VYE3,VYE3/A,VZE7/A,VZE8/A
	12000-ZJ1-407	.....	-	-	1	-	-	2031852	QXA,QXA3,QXA6,QXE1,QXE4,QXE5,QXF,QXF3,QXF4,QXF6,QYA,QZB QZE3,QZE4,QZF1,QZF2,QZX4,VXE1,VXE4,VXE8,VXF,VXF4,VXZ4,VYA1 VYA3,VZA1,VZE7,VZE8
	12000-ZJ1-407	.....	-	-	1	-	-	2031852	QXB1,QXB1/A,QXE7/A,QXE8/A,QXF8,QXF8/A,QXW2,QXW2/A,QXW4 QXW4/A,VXC1,VXC1/A,VXC2,VXC2/A
	12000-ZJ1-Q00	.....	-	-	1	-	-	2067409	QXE7,QXE8 QAX1,QZX1

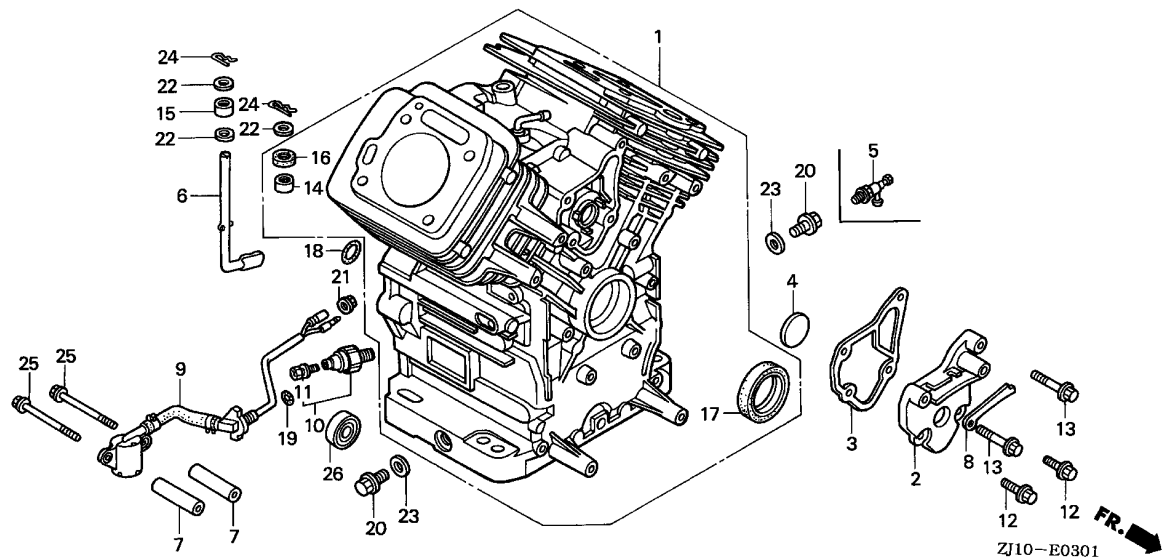
Ref. No.	Part No.	Description	Reqd. QTY					Serial No.	Parts catalogue code
			GX 620 (1)	GX 620 (2)	GX 620 K1 (1)	GX 620 (3)	GX 620 K1 (2)		
(1)	12000-ZJ1-408	BARREL ASSY., CYLINDER .....	-	-	1	-	1	-----	QAD2,QAD2/A,QYD,QYD/A,SYA,SYA/A,VXC/A
	12000-ZJ1-409	.....	-	-	-	-	1	-----	VXC
	12000-ZJ1-Q01	.....	-	-	1	-	-	-----	1001111 VXC
			-	-	1	-	-	-----	QAX1/A,QZX1/A
2	12356-ZJ1-000	COVER, BREATHER .....	-	-	1	-	1	-----	2067410 QAX1,QZX1
3	12358-ZJ1-000	PACKING, BREATHER COVER .....	-	-	1	-	1		
4	12372-ZE2-300	VALVE, BREATHER .....	-	-	1	-	1		
5	15558-ZJ1-003	VALVE, OIL SHUT-OFF .....	-	-	(1)	-	(1)		
6	16541-ZJ1-840	SHAFT, GOVERNOR ARM .....	-	-	1	-	1		
7	25523-VD6-010	COLLAR, FILTER SETTING .....	-	-	2	-	2	-----	QWA6,QWA6/A,QWF6,QWF6/A,QXA,QXA/A,QXA3,QXA3/A,QXA6,QXA6/A QXB1,QXB1/A,QXC2,QXC2/A,QXE1,QXE1/A,QXE4,QXE4/A,QXE5 QXE5/A,QXE7,QXE7/A,QXE8,QXE8/A,QXF,QXF/A,QXF3,QXF4,QXF4/A QXF6,QXF6/A,QXF8,QXF8/A,QXW2,QXW2/A,QXW4,QXW4/A,QYA,QYA/A QZB,QZB/A,QZB2,QZB2/A,QZB3,QZB3/A,QZE3,QZE3/A,QZE4,QZE4/A QZF1,QZF1/A,QZF2,QZF2/A,QZF8,QZF8/A,QZX4,QZX4/A,QZX5 QZX5/A,TXF2,TXF2/A,VDB2,VDB2/A,VEP4,VEP4/A,VXA1,VXA1/A VXA4,VXA4/A,VXA5,VXA5/A,VXA6,VXA6/A,VXC1,VXC1/A,VXC2 VXC2/A,VXD4,VXD4/A,VXE1,VXE1/A,VXE2,VXE2/A,VXE4,VXE4/A VXE8,VXE8/A,VXF,VXF/A,VXF4,VXF4/A,VXP2,VXP2/A,VXZ4,VXZ4/A VYA1,VYA3,VYA3/A,VYE3,VYE3/A,VZA1,VZE7,VZE7/A,VZE8,VZE8/A
8	31511-ZJ1-000	CLAMPER, CORD .....	-	-	1	-	1		
9	35480-ZJ1-841	SWITCH ASSY., OIL LEVEL .....	-	-	1	-	1	-----	QWA6,QWA6/A,QWF6,QWF6/A,QXA,QXA/A,QXA3,QXA3/A,QXA6,QXA6/A QXB1,QXB1/A,QXC2,QXC2/A,QXE1,QXE1/A,QXE4,QXE4/A,QXE5 QXE5/A,QXE7,QXE7/A,QXE8,QXE8/A,QXF,QXF/A,QXF3,QXF4,QXF4/A QXF6,QXF6/A,QXF8,QXF8/A,QXW2,QXW2/A,QXW4,QXW4/A,QYA,QYA/A QZB,QZB/A,QZB2,QZB2/A,QZB3,QZB3/A,QZE3,QZE3/A,QZE4,QZE4/A QZF1,QZF1/A,QZF2,QZF2/A,QZF8,QZF8/A,QZX4,QZX4/A,QZX5 QZX5/A,TXF2,TXF2/A,VDB2,VDB2/A,VEP4,VEP4/A,VXA1,VXA1/A VXA4,VXA4/A,VXA5,VXA5/A,VXA6,VXA6/A,VXC1,VXC1/A,VXC2 VXC2/A,VXD4,VXD4/A,VXE1,VXE1/A,VXE2,VXE2/A,VXE4,VXE4/A VXE8,VXE8/A,VXF,VXF/A,VXF4,VXF4/A,VXP2,VXP2/A,VXZ4,VXZ4/A VYA1,VYA3,VYA3/A,VYE3,VYE3/A,VZA1,VZE7,VZE7/A,VZE8,VZE8/A
10	37240-ZG3-E01	SWITCH, OIL PRESSURE .....	-	-	1	-	1	-----	QAD2,QAD2/A,QAF,QAF/A,QAF1,QAF1/A,QAF2,QAF2/A,QAF5,QAF5/A QAF6,QAF6/A,QAF7,QAF7/A,QAF8,QAF8/A,QAF9,QAF9/A,QDP2 QDP2/A,QYD,QYD/A,QYF,QYF/A,SAE1,SAE1/A,SAF1,SAF1/A,SYA SYA/A,VAB2,VAB2/A,VAF,VAF/A,VAF6,VAF6/A,VXC,VXC/A,VYE3 VYE3/A
11	90002-ZG5-004	SCREW-WASHER, 4X8 .....	-	-	1	-	1	-----	QAD2,QAD2/A,QAF,QAF/A,QAF1,QAF1/A,QAF2,QAF2/A,QAF5,QAF5/A QAF6,QAF6/A,QAF7,QAF7/A,QAF8,QAF8/A,QAF9,QAF9/A,QDP2 QDP2/A,QYD,QYD/A,QYF,QYF/A,SAE1,SAE1/A,SAF1,SAF1/A,SYA SYA/A,VAB2,VAB2/A,VAF,VAF/A,VAF6,VAF6/A,VXC,VXC/A,VYE3 VYE3/A
12	90029-888-000	BOLT, FLANGE, 6X16(CT200) ...	-	-	2	-	2		
13	90031-ZE1-000	BOLT, FLANGE, 6X32 .....	-	-	2	-	2		
14	91001-ZJ1-841	BEARING, NEEDLE, 8X12.7X11.1	-	-	1	-	1		
15	91002-ZJ1-841	BEARING, NEEDLE, 8X12X10 .....	-	-	1	-	1		
16	91201-ZE9-003	OIL SEAL, 8X14X5 .....	-	-	1	-	1		
17	91201-ZJ1-841	OIL SEAL, 38X58X9 .....	-	-	1	-	1		
18	91302-MB6-830	O-RING, 13X3.0 .....	-	-	1	-	1		



E-3-1

CYLINDER BARREL(GX620K1)

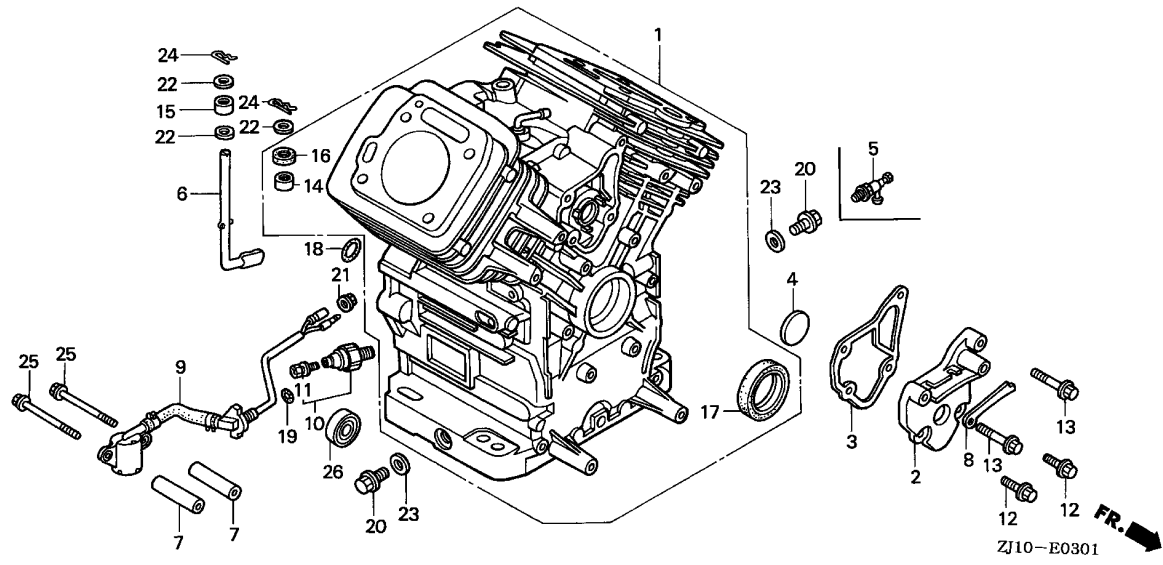
E16



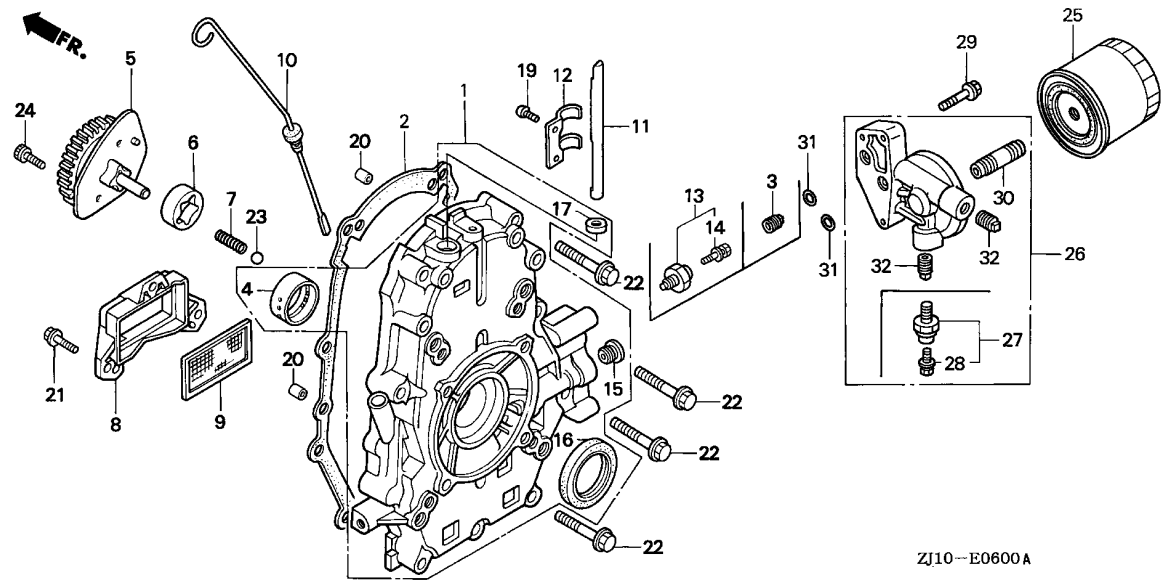
Ref. No.	Part No.	Description	Reqd. QTY					Serial No.	Parts catalogue code
			GX 620 (1)	GX 620 (2)	GX 620 K1 (1)	GX 620 (3)	GX 620 K1 (2)		
19	91353-671-004	O-RING, 14MM(NOK)	-	-	1	-	1	-----	QWA6,QWA6/A,QWF6,QWF6/A,QXA,QXA/A,QXA3,QXA3/A,QXA6,QXA6/A,QXB1,QXB1/A,QXC2,QXC2/A,QXE1,QXE1/A,QXE4,QXE4/A,QXE5,QXE5/A,QXE7,QXE7/A,QXE8,QXE8/A,QXF,QXF/A,QXF3,QXF4,QXF4/A,QXF6,QXF6/A,QXF8,QXF8/A,QXW2,QXW2/A,QXW4,QXW4/A,QYA,QYA/A,QZB,QZB/A,QZB2,QZB2/A,QZB3,QZB3/A,QZE3,QZE3/A,QZE4,QZE4/A,QZF1,QZF1/A,QZF2,QZF2/A,QZF8,QZF8/A,QZX4,QZX4/A,QZX5,QZX5/A,TXF2,TXF2/A,VDB2,VDB2/A,VEP4,VEP4/A,VXA1,VXA1/A,VXA4,VXA4/A,VXA5,VXA5/A,VXA6,VXA6/A,VXC1,VXC1/A,VXC2,VXC2/A,VXD4,VXD4/A,VXE1,VXE1/A,VXE2,VXE2/A,VXE4,VXE4/A,VXE8,VXE8/A,VXF,VXF/A,VXF4,VXF4/A,VXP2,VXP2/A,VXZ4,VXZ4/A,VYA1,VYA3,VYA3/A,VYE3,VYE3/A,VZA1,VZE7,VZE7/A,VZE8,VZE8/A
20	92800-14000	BOLT, DRAIN PLUG, 14MM	-	-	2	-	2		
21	94050-10000	NUT, FLANGE, 10MM	-	-	1	-	1	-----	QWA6,QWA6/A,QWF6,QWF6/A,QXA,QXA/A,QXA3,QXA3/A,QXA6,QXA6/A,QXB1,QXB1/A,QXC2,QXC2/A,QXE1,QXE1/A,QXE4,QXE4/A,QXE5,QXE5/A,QXE7,QXE7/A,QXE8,QXE8/A,QXF,QXF/A,QXF3,QXF4,QXF4/A,QXF6,QXF6/A,QXF8,QXF8/A,QXW2,QXW2/A,QXW4,QXW4/A,QYA,QYA/A,QZB,QZB/A,QZB2,QZB2/A,QZB3,QZB3/A,QZE3,QZE3/A,QZE4,QZE4/A,QZF1,QZF1/A,QZF2,QZF2/A,QZF8,QZF8/A,QZX4,QZX4/A,QZX5,QZX5/A,TXF2,TXF2/A,VDB2,VDB2/A,VEP4,VEP4/A,VXA1,VXA1/A,VXA4,VXA4/A,VXA5,VXA5/A,VXA6,VXA6/A,VXC1,VXC1/A,VXC2,VXC2/A,VXD4,VXD4/A,VXE1,VXE1/A,VXE2,VXE2/A,VXE4,VXE4/A,VXE8,VXE8/A,VXF,VXF/A,VXF4,VXF4/A,VXP2,VXP2/A,VXZ4,VXZ4/A,VYA1,VYA3,VYA3/A,VYE3,VYE3/A,VZA1,VZE7,VZE7/A,VZE8,VZE8/A
22	94102-08800	WASHER, PLAIN, 8MM	-	-	3	-	3		
23	94109-14000	WASHER, DRAIN PLUG, 14MM	-	-	2	-	2		
24	94251-08000	PIN, LOCK, 8MM	-	-	2	-	2		

E-3-1

CYLINDER BARREL(GX620K1)



Ref. No.	Part No.	Description	Reqd. QTY					Serial No.	Parts catalogue code
			GX 620	GX 620	GX 620 K1	GX 620 (3)	GX 620 K1 (2)		
25	95701-06075-09	BOLT, FLANGE, 6X75 .....	-	-	2	-	2	-----	QWA6,QWA6/A,QWF6,QWF6/A,QXA,QXA/A,QXA3,QXA3/A,QXA6,QXA6/A,QXB1,QXB1/A,QXC2,QXC2/A,QXE1,QXE1/A,QXE4,QXE4/A,QXE5,QXE5/A,QXE7,QXE7/A,QXE8,QXE8/A,QXF,QXF/A,QXF3,QXF4,QXF4/A,QXF6,QXF6/A,QXF8,QXF8/A,QXW2,QXW2/A,QXW4,QXW4/A,QYA,QYA/A,QZB,QZB/A,QZB2,QZB2/A,QZB3,QZB3/A,QZE3,QZE3/A,QZE4,QZE4/A,QZF1,QZF1/A,QZF2,QZF2/A,QZF8,QZF8/A,QZX4,QZX4/A,QZX5,QZX5/A,TXF2,TXF2/A,VDB2,VDB2/A,VEP4,VEP4/A,VXA1,VXA1/A,VXA4,VXA4/A,VXA5,VXA5/A,VXA6,VXA6/A,VXC1,VXC1/A,VXC2,VXC2/A,VXD4,VXD4/A,VXE1,VXE1/A,VXE2,VXE2/A,VXE4,VXE4/A,VXE8,VXE8/A,VXF,VXF/A,VXF4,VXF4/A,VXP2,VXP2/A,VXZ4,VXZ4/A,VYA1,VYA3,VYA3/A,VYE3,VYE3/A,VZA1,VZE7,VZE7/A,VZE8,VZE8/A
26	96140-60030-10	BEARING, RADIAL BALL, 6003 ..	-	-	1	-	1		



Ref. No.	L.O.N.	(Relative ref. Number) Description	F.R.T.
1	1101F1	COVER, CRANKCASE .....	1.5
2	1101E9	PACKING, CASE COVER .....	0.9
4	1101A6	BEARING, CRANKSHAFT :REAR ....	1.0
5	1131A2	COVER, OIL PUMP .....	1.0
6		(7,23)	
	1131B3	ROTOR, OIL PUMP OUTER .....	1.0
8	1101B5	COVER, OIL FILTER .....	1.0
9	1101D2	SCREEN, OIL FILTER .....	1.0
11	1161B4	SHAFT, GOVERNOR ARM .....	1.0
13		(27)	
	6151E4	SWITCH, OIL PRESSURE .....	0.2
16	1101E5	OIL SEAL, CRANKSHAFT :REAR ...	1.0
17	1101C4	OIL SEAL, GOVERNOR ARM SHAFT ..	1.0
25	110175	CARTRIDGE, OIL FILTER .....	0.2
26		(31)	
	1101A2	BASE, OIL FILTER .....	0.3

ZJ10-E0600A

Ref. No.	Part No.	Description	Reqd. QTY					Serial No.	Parts catalogue code
			GX 620	GX 620	GX 620	GX 620	GX 620		
			(1)	(2)	(1)	(3)			
1	11300-ZJ1-000 11300-ZJ1-600	COVER ASSY., CRANKCASE .....	1	(1)	-	-	-----	SAE1,SAF1,S1,VZD,VZE1,VZE5,VZE7,VZE8 QAC6,QAF,QAFP,QAFU,QAF1,QAF2,QAF3,QAF4,QAF5,QAF6,QAF7,QAF8 QAP2,QDE1,QDF,QDF4,QDF6,QDW,QXC4,QXE1,QXE3,QXF1,QXF3,QXF6 QYF,QYF4,QYF6,QZX4,QZZ,Q1,TFX2,VABP,VAF,VAFP,VAFU,VAF4 VAF6,VXE1,VXE2,VXE4,VXE8,VXZ4,VZF1,V1	
	11300-ZJ1-830	COVER ASSY., CRANKCASE (MUFFLER)	1	(1)	-	1	-----	QAB,QAB4,QAB6,QDA1,QXA,QXAP,QXAU,QXA1,QXA3,QXA4,QXA6,QXB1 QYA,QYA4,Q1,VXAP,VXAU,VXA1,VXA3,VYA1,VYA3,VZA1,VZA3,V1	
2	11381-ZJ1-000	PACKING, CASE COVER .....	1	1	-	1	-----		
3	12105-ZA0-701	BOLT, SEALING .....	1	-	-	1	-----	QAB4,QAB6,QDE1,QDF,QDF4,QDF6,QXAP,QXAU,QXA1,QXA3,QXA4,QXA6 QXB1,QXC4,QXE1,QXE3,QXF1,QXF3,QXF6,QYA4,QZX4,QZZ,TFX2,VABP VXAP,VXAU,VXA1,VXA3,VXE1,VXE2,VXE4,VXE8,VXZ4,VYA1,VYA3 VZA1,VZA3,VZD,VZE1,VZE5,VZE7,VZE8	
4	13321-ZJ1-000 13322-ZJ1-000 13323-ZJ1-000	BEARING A, MAIN (BLUE) .....	1	1	-	1	-		
		BEARING B, MAIN (BLACK) .....	1	1	-	1	-		
		BEARING C, MAIN (BROWN) .....	1	1	-	1	-		
5	15120-ZJ1-000	COVER ASSY., OIL PUMP .....	1	1	-	1	-		
6	15124-ZJ1-003	ROTOR, OIL PUMP OUTER .....	1	1	-	1	-		
7	15232-ZJ1-000	SPRING, RELIEF VALVE .....	1	1	-	1	-		
8	15348-ZJ1-000	COVER, OIL FILTER .....	1	1	-	1	-		
9	15427-ZJ1-000	SCREEN, OIL FILTER .....	1	1	-	1	-		
10	15655-ZJ1-000	GAUGE COMP., OIL LEVEL .....	1	1	-	1	-		
11	16541-ZJ1-000	SHAFT, GOVERNOR ARM .....	1	1	-	1	-		
12	16542-ZJ1-000	FORK, GOVERNOR .....	1	1	-	1	-		

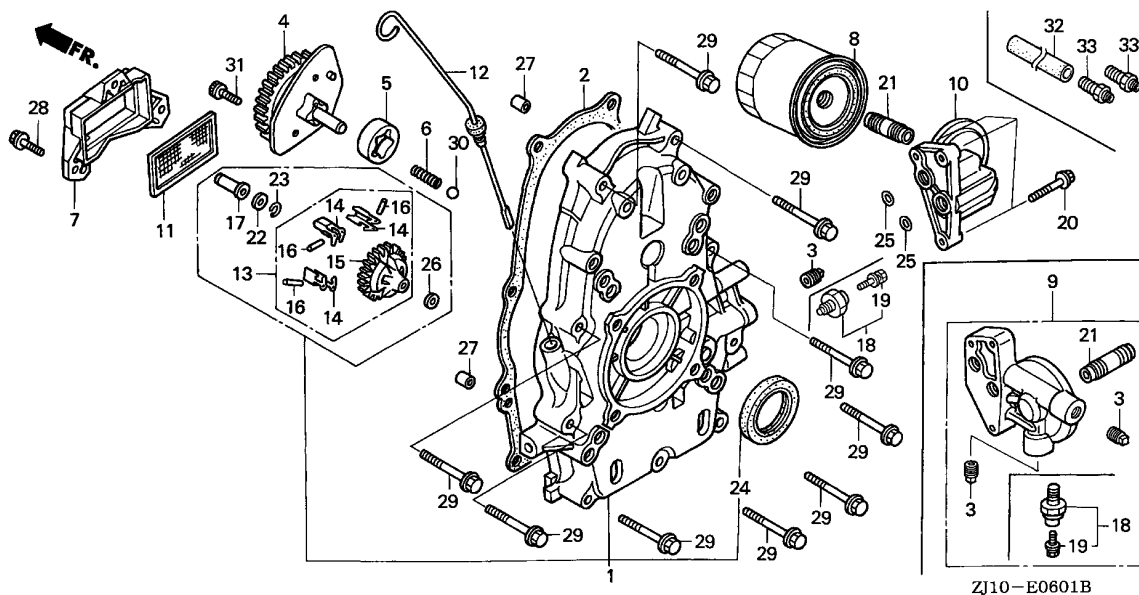
Ref. No.	Part No.	Description	Reqd. QTY					Serial No.	Parts catalogue code
			GX 620 (1)	GX 620 (2)	GX 620 K1 (1)	GX 620 (3)	GX 620 K1 (2)		
13	37240-ZG3-E01	SWITCH, OIL PRESSURE .....	1	-	-	1	-	-----	QAC6,QAF,QAFP,QAFU,QAF1,QAF2,QAF3,QAF4,QAF5,QAF6,QAF7,QAF8 QAP2,QYF,QYF4,QYF6,SAE1,SAF1,VAF,VAFP,VAFU,VAF4,VAF6
14	90002-ZG5-004	SCREW-WASHER, 4X8 .....	1	-	-	1	-	-----	QAC6,QAF,QAFP,QAFU,QAF1,QAF2,QAF3,QAF4,QAF5,QAF6,QAF7,QAF8 QAP2,QYF,QYF4,QYF6,SAE1,SAF1,VAF,VAFP,VAFU,VAF4,VAF6
15	90007-ZG8-300	BOLT, SEALING, 12MM .....	1	-	-	1	-	-----	QAC6,QAF,QAFP,QAFU,QAF1,QAF2,QAF3,QAF4,QAF5,QAF6,QAF7,QAF8 QAP2,QDE1,QDF,QDF4,QDF6,QDW,QXC4,QXE1,QXE3,QXF1,QXF3,QXF6 QYF,QYF4,QYF6,QZX4,QZZ,SAE1,SAF1,TFX2,VABP,VAF,VAFP,VAFU VAF4,VAF6,VXE1,VXE2,VXE4,VXE8,VXZ4,VZD,VZE1,VZE5,VZE7,VZE8 VZF1
			-	(1)	-	-	-		
16	91201-ZJ1-003	OIL SEAL, 38X58X11 .....	1	1	-	1	-		
17	91206-333-003	OIL SEAL, 10X16X4.5 .....	1	1	-	1	-		
19	93500-05010-0A	SCREW, PAN, 5X10 .....	2	2	-	2	-		
20	94301-08140	DOWEL PIN, 8X14 .....	2	2	-	2	-		
21	95701-06020-00	BOLT, FLANGE, 6X20 .....	3	3	-	3	-		
22	95701-08050-00	BOLT, FLANGE, 8X50 .....	9	9	-	9	-		
23	96211-12000	BALL, STEEL, #12 (3/8) .....	1	1	-	1	-		
24	96600-06016-00	BOLT, SOCKET, 6X16 .....	2	2	-	2	-		
25	15400-PR3-004	CARTRIDGE, OIL FILTER (TOYO ROKI)	1	-	-	1	-	-----	QAB,QAB4,QAB6,QDA1,QXA,QXAP,QXAU,QXA1,QXA4,QXA6,QYA,QYA4 VXAP,VXAU,VYA1,VYA3,VZA1,VZA3
	15400-ZJ1-004	.....	1	-	-	-	-	-----	QXA3,QXB1,VXA1,VXA3
26	15410-ZJ1-800	BASE COMP., OIL FILTER (A) ..	1	-	-	1	-	-----	QDA1,QXA,QXAP,QXAU,QXA1,QXA3,QXA4,QXA6,QXB1,QYA,QYA4,VXAP VXAU,VXA1,VXA3,VYA1,VYA3,VZA1,VZA3
	15410-ZJ1-820	BASE COMP., OIL FILTER (C) ..	1	-	-	-	-	-----	QAB,QAB4,QAB6
27	37240-ZG3-E01	SWITCH, OIL PRESSURE .....	1	-	-	-	-	-----	QAB,QAB4,QAB6
28	90002-ZG5-004	SCREW-WASHER, 4X8 .....	1	-	-	-	-	-----	QAB,QAB4,QAB6
29	90014-ZE6-000	BOLT, FLANGE, 6X35 .....	3	-	-	3	-	-----	QAB,QAB4,QAB6,QDA1,QXA,QXAP,QXAU,QXA1,QXA3,QXA4,QXA6,QXB1 QYA,QYA4,VXAP,VXAU,VXA1,VXA3,VYA1,VYA3,VZA1,VZA3
30	90018-PN3-000	HOLDER, OIL FILTER .....	1	-	-	1	-	-----	QAB,QAB4,QAB6,QDA1,QXA,QXAP,QXAU,QXA1,QXA3,QXA4,QXA6,QXB1 QYA,QYA4,VXAP,VXAU,VXA1,VXA3,VYA1,VYA3,VZA1,VZA3
			-	(1)	-	-	-		
31	91302-MB6-830	O-RING, 13X3.0 .....	2	-	-	-	-	-----	QAF1,QAF2,QAP2,QDW,QXA3,QXB1,QXF1,TFX2,VXA1,VXA3,VXE2,VZE1 VZE5
	91302-ZE9-003	O-RING, 11.8X2.4 .....	2	-	-	2	-	-----	QAB,QAB4,QAB6,QDA1,QXA,QXAP,QXAU,QXA1,QXA3,QXA4,QXA6,QXB1 QYA,QYA4,VXAP,VXAU,VXA1,VXA3,VYA1,VYA3,VZA1,VZA3
32	12105-ZA0-701	BOLT, SEALING .....	2	-	-	2	-	-----	QDA1,QXA,QXAP,QXAU,QXA1,QXA3,QXA4,QXA6,QXB1,QYA,QYA4,VXAP VXAU,VXA1,VXA3,VYA1,VYA3,VZA1,VZA3
			-	(2)	-	-	-		



E-6-1

CRANKCASE COVER(GX620K1)

F 4



Ref. No.	L.O.N.	(Relative ref. Number) Description	F.R.T.
1	1101F1	COVER, CRANKCASE .....	1.5
2	1101E9	PACKING, CASE COVER .....	0.9
4	1131A2	COVER, OIL PUMP .....	1.0
5		(6,30)	
	1131B3	ROTOR, OIL PUMP OUTER .....	1.0
7	1101B5	COVER, OIL FILTER .....	1.0
8	110175	CARTRIDGE, OIL FILTER .....	0.2
10		(9,25)	
	1101A2	BASE, OIL FILTER .....	0.3
11	1101D2	SCREEN, OIL FILTER .....	1.0
15		(14)	
	1161A7	HOLDER, GOVERNOR WEIGHT .....	1.2
17	1161B6	SLIDER, GOVERNOR .....	1.1
18	6151E4	SWITCH, OIL PRESSURE .....	0.2
24	1101E5	OIL SEAL, CRANKSHAFT :REAR ...	1.0

Ref. No.	Part No.	Description	Reqd. QTY					Serial No.	Parts catalogue code
			GX 620	GX 620	GX 620	GX 620	GX 620		
1	11300-ZJ1-840	COVER ASSY., CRANKCASE .....	-	-	1	-	-	-----	QXF3,VYA1
			-	-	1	-	-	-----	2046506
									QAB,QAB6,QAF,QAF1,QAF2,QAF5,QAF6,QAF7,QAF8,QDF,QDF6,QDW QXA,QXA3,QXA6,QXB1,QXC2,QXE1,QXE4,QXE5,QXE7,QXE8,QXF,QXF4 QXF6,QXF8,QXW2,QXW4,QYA,QYF,QZB,QZB2,QZB3,QZD,QZE3,QZE4 QZF1,QZF2,QZX4,TFX2,VAF,VAF6,VDB2,VXA1,VXA4,VXA5,VXA6,VXD4 VXE1,VXE2,VXE4,VXE8,VXF,VXF4,VXP2,VXZ4,VYA3,VZA1
	11300-ZJ1-850	.....	-	-	1	-	-	-----	2046506
	11300-ZJ1-841	.....	-	-	1	-	-	-----	SAE1,SAF1,VZE7,VZE8
									QAB/A,QAB6/A,QAD2,QAD2/A,QAF/A,QAF1/A,QAF2/A,QAF5/A,QAF6/A QAF7/A,QAF8/A,QAF9,QAF9/A,QAX1,QAX1/A,QDF/A,QDF6/A,QDP2 QDP2/A,QDW/A,QWA6,QWA6/A,QWF6,QWF6/A,QXA/A,QXA3/A,QXA6/A QXB1/A,QXC2/A,QXE1/A,QXE4/A,QXE5/A,QXE7/A,QXE8/A,QXF/A QXF4/A,QXF6/A,QXF8/A,QXW2/A,QXW4/A,QYA/A,QYD,QYD/A,QYF/A QZB/A,QZB2/A,QZB3/A,QZD/A,QZE3/A,QZE4/A,QZF1/A,QZF2/A,QZF8 QZF8/A,QZX1,QZX1/A,QZX4/A,QZX5,QZX5/A,TFX2/A,VAB2,VAB2/A VAF/A,VAF6/A,VDB2/A,VDC2,VDC2/A,VEP4,VEP4/A,VXA1/A,VXA4/A VXA5/A,VXA6/A,VXD4/A,VXE1/A,VXE2/A,VXE4/A,VXE8/A,VXF/A VXF4/A,VXP2/A,VXZ4/A,VYA3/A,VYE3,VYE3/A
			-	-	1	-	-	-----	2046507
									QAB,QAB6,QAF,QAF1,QAF2,QAF5,QAF6,QAF7,QAF8,QDF,QDF6,QDW QXA,QXA3,QXA6,QXB1,QXC2,QXE1,QXE4,QXE5,QXE7,QXE8,QXF,QXF4 QXF6,QXF8,QXW2,QXW4,QYA,QYF,QZB,QZB2,QZB3,QZD,QZE3,QZE4 QZF1,QZF2,QZX4,TFX2,VAF,VAF6,VDB2,VXA1,VXA4,VXA5,VXA6,VXD4 VXE1,VXE2,VXE4,VXE8,VXF,VXF4,VXP2,VXZ4,VYA3,VZA1
	11300-ZJ1-851	.....	-	-	1	-	-	-----	SAE1/A,SAF1/A,SYA,SYA/A,VAB3,VAB3/A,VZE7/A,VZE8/A
2	11381-ZJ1-840	GASKET, CASE COVER .....	-	-	1	-	1	-----	SAE1,SAF1,VZE7,VZE8

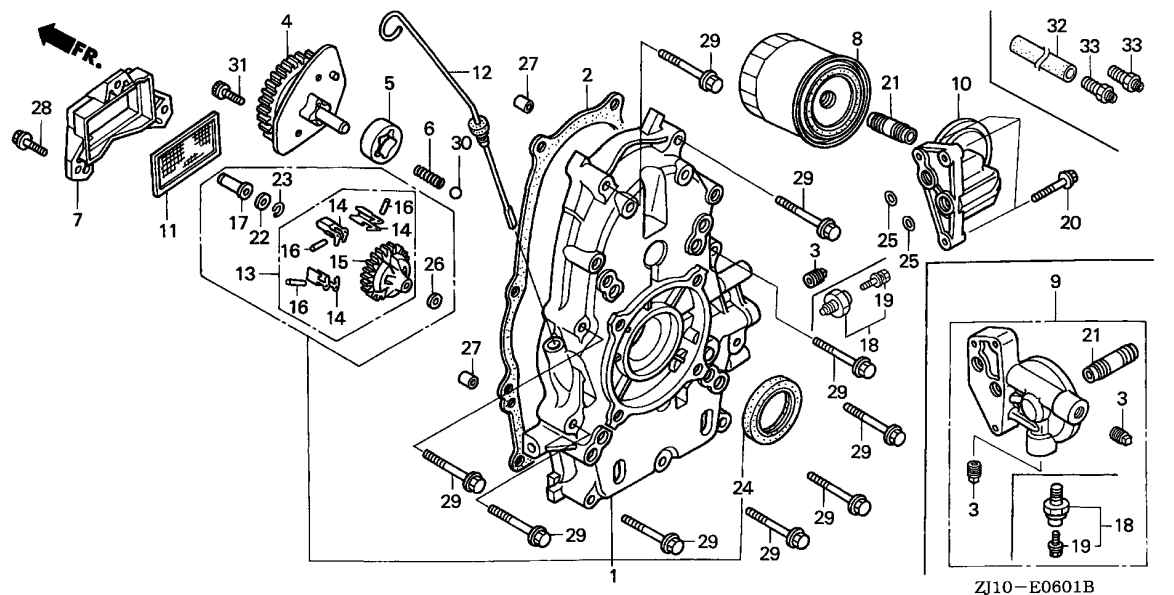
Ref. No.	Part No.	Description	Reqd. QTY					Serial No.	Parts catalogue code
			GX 620	GX 620	GX 620 K1	GX 620	GX 620 K1		
			(1)	(2)	(1)	(3)	(2)		
3	12105-ZA0-701	BOLT, SEALING .....	-	-	1	-	-	-----	QAX1,QAX1/A,QDF,QDF/A,QDF6,QDF6/A,QDW,QDW/A,QWF6,QWF6/A,QXC2,QXC2/A,QXE1,QXE1/A,QXE4,QXE4/A,QXE5,QXE5/A,QXE7,QXE7/A,QXE8,QXE8/A,QXF,QXF/A,QXF3,QXF3/A,QXF4,QXF4/A,QXF6,QXF6/A,QXF8,QXF8/A,QXW2,QXW2/A,QXW4,QXW4/A,QYA,QYA/A,QZB3,QZB3/A,QZD,QZD/A,QZE3,QZE3/A,QZE4,QZE4/A,QZF1,QZF1/A,QZF2,QZF2/A,QZF8,QZF8/A,QZX1,QZX1/A,QZX4,QZX4/A,QZX5,QZX5/A,TXF2,TXF2/A,VDC2,VDC2/A,VEP4,VEP4/A,VXA4,VXA4/A,VXA5,VXA5/A,VXA6,VXA6/A,VXD4,VXD4/A,VXE1,VXE1/A,VXE2,VXE2/A,VXE4,VXE4/A,VXE8,VXE8/A,VXF,VXF/A,VXF4,VXF4/A,VXP2,VXP2/A,VXZ4,VXZ4/A,VYE3,VYE3/A,VZE7,VZE7/A,VZE8,VZE8/A
			-	-	2	-	1	-----	QAB,QAB/A,QAB6,QAB6/A,VAB3,VAB3/A,VXC1,VXC1/A,VXC2,VXC2/A
			-	-	3	-	-	-----	QWA6,QWA6/A,QXA,QXA/A,QXA3,QXA3/A,QXA6,QXA6/A,QXB1,QXB1/A,QZB,QZB/A,QZB2,QZB2/A,VDB2,VDB2/A,VXA1,VXA1/A,VYA1,VYA3,VYA3/A,VZA1
4	15120-ZJ1-000	COVER ASSY., OIL PUMP .....	-	-	1	-	1		
5	15124-ZJ1-003	ROTOR, OIL PUMP OUTER .....	-	-	1	-	1		
6	15232-ZJ1-000	SPRING, RELIEF VALVE .....	-	-	1	-	1		
7	15348-ZJ1-840	COVER, OIL FILTER .....	-	-	1	-	1		
8	15400-ZJ1-004	CARTRIDGE, OIL FILTER (TOYO ROKI)	-	-	1	-	1		
9	15410-ZJ1-800	BASE COMP., OIL FILTER (A) ..	-	-	1	-	-	-----	-----
	15410-ZJ1-820	BASE COMP., OIL FILTER (C) ..	-	-	1	-	-	-----	-----
10	15411-ZJ1-840	BASE, OIL FILTER .....	-	-	1	-	-	-----	-----
			-	-	1	-	-	-----	-----
	15411-ZN1-000	.....	-	-	1	-	-	-----	-----
			-	-	-	-	1		SYA,SYA/A
11	15427-ZJ1-000	SCREEN, OIL FILTER .....	-	-	1	-	1		
12	15655-ZJ1-861	GAUGE COMP., OIL LEVEL .....	-	-	1	-	1		
13	16510-ZJ1-840	GOVERNOR ASSY. ....	-	-	1	-	1		
14	16511-ZJ1-840	WEIGHT, GOVERNOR .....	-	-	3	-	3		
15	16512-ZJ1-840	HOLDER, GOVERNOR WEIGHT .....	-	-	1	-	1		
16	16513-ZE2-000	PIN, GOVERNOR WEIGHT .....	-	-	3	-	3		
17	16531-ZE2-000	SLIDER, GOVERNOR .....	-	-	1	-	-	-----	2046506
			-	-	1	-	-	-----	-----
			-	-	1	-	-	-----	-----



E-6-1

CRANKCASE COVER(GX620K1)

F 6

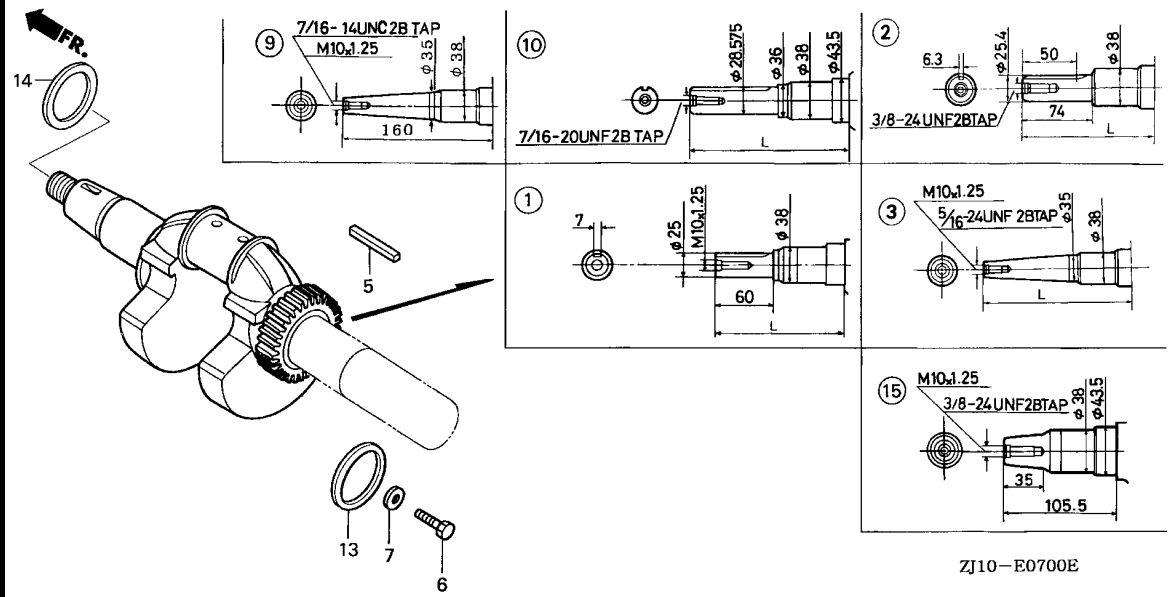


Ref. No.	Part No.	Description	Reqd. QTY					Serial No.	Parts catalogue code
			GX 620	GX 620	GX 620	GX 620	GX 620		
17)	16531-Z0A-000	SLIDER, GOVERNOR .....	-	-	1	-	-	-----	QAB/A,QAB6/A,QAD2,QAD2/A,QAF/A,QAF1/A,QAF2/A,QAF5/A,QAF6/A,QAF7/A,QAF8/A,QAF9,QAF9/A,QAX1,QAX1/A,QDF/A,QDF6/A,QDP2,QDP2/A,QDW/A,QWA6,QWA6/A,QWF6,QWF6/A,QXA/A,QXA3/A,QXA6/A,QXB1/A,QXC2/A,QXE1/A,QXE4/A,QXE5/A,QXE7/A,QXE8/A,QXF/A,QXF3,QXF4/A,QXF6/A,QXF8/A,QXW2/A,QXW4/A,QYA/A,QYD,QYD/A,QYF/A,QZB/A,QZB2/A,QZB3/A,QZD/A,QZE3/A,QZE4/A,QZF1/A,QZF2/A,QZF8,QZF8/A,QZX1,QZX1/A,QZX4/A,QZX5,QZX5/A,SAE1/A,SAF1/A,SYA,SYA/A,TFX2/A,VAB2,VAB2/A,VAB3,VAB3/A,VAF/A,VAF6/A,VDB2/A,VDC2,VDC2/A,VEP4,VEP4/A,VXA1/A,VXA4/A,VXA5/A,VXA6/A,VXD4/A,VXE1/A,VXE2/A,VXE4/A,VXE8/A,VXF/A,VXF4/A,VXP2/A,VXZ4/A,VYA1,VYA3/A,VYE3,VYE3/A,VZE7/A,VZE8/A
			-	-	1	-	2046507	-----	QAB,QAB6,QAF,QAF1,QAF2,QAF5,QAF6,QAF7,QAF8,QDF,QDF6,QDW,QXA,QXA3,QXA6,QXB1,QXC2,QXE1,QXE4,QXE5,QXE7,QXE8,QXF,QXF4,QXF6,QXF8,QXW2,QXW4,QYA,QYF,QZB,QZB2,QZB3,QZD,QZE3,QZE4,QZF1,QZF2,QZX4,SAE1,SAF1,TFX2,VAF,VAF6,VDB2,VXA1,VXA4,VXA5,VXA6,VXD4,VXE1,VXE2,VXE4,VXE8,VXF,VXF4,VXP2,VXZ4,VYA3,VZA1,VZE7,VZE8
18	37240-ZG3-E01	SWITCH, OIL PRESSURE .....	-	-	-	-	1	-----	QAB,QAB/A,QAB6,QAB6/A,VAB3,VAB3/A
19	90002-ZG5-004	SCREW-WASHER, 4X8 .....	-	-	1	-	-	-----	QAB,QAB/A,QAB6,QAB6/A,VAB3,VAB3/A
20	90014-ZE6-000	BOLT, FLANGE, 6X35 .....	-	-	3	-	-	-----	QAB,QAB/A,QAB6,QAB6/A,QWA6,QWA6/A,QXA,QXA/A,QXA3,QXA3/A,QXA6,QXA6/A,QXB1,QXB1/A,QYA,QYA/A,QZB,QZB/A,QZB2,QZB2/A,VAB3,VAB3/A,VDB2,VDB2/A,VXA1,VXA1/A,VYA3,VYA3/A
	90014-ZE8-000	BOLT, HEAD COVER .....	-	-	3	-	-	-----	VYA1,VZA1

Ref. No.	Part No.	Description	Reqd. QTY					Serial No.	Parts catalogue code
			GX 620	GX 620	GX 620 K1	GX 620	GX 620 K1		
			(1)	(2)	(1)	(3)	(2)		
20)	90015-883-000	BOLT, FLANGE, 6X28 .....	-	-	3	-	-	-----	QAD2,QAD2/A,QAF,QAF/A,QAF1,QAF1/A,QAF2,QAF2/A,QAF5,QAF5/A,QAF6,QAF6/A,QAF7,QAF7/A,QAF8,QAF8/A,QAF9,QAF9/A,QAX1,QAX1/A,QDF,QDF/A,QDF6,QDF6/A,QDP2,QDP2/A,QDW,QDW/A,QWF6,QWF6/A,QXC2,QXC2/A,QXE1,QXE1/A,QXE4,QXE4/A,QXE5,QXE5/A,QXE7,QXE7/A,QXE8,QXE8/A,QXF,QXF/A,QXF3,QXF4,QXF4/A,QXF6,QXF6/A,QXF8,QXF8/A,QXW2,QXW2/A,QXW4,QXW4/A,QYD,QYD/A,QYF,QYF/A,QZB3,QZB3/A,QZD,QZD/A,QZE3,QZE3/A,QZE4,QZE4/A,QZF1,QZF1/A,QZF2,QZF2/A,QZF8,QZF8/A,QZX1,QZX1/A,QZX4,QZX4/A,QZX5,QZX5/A,SAE1,SAE1/A,SAF1,SAF1/A,SYA,SYA/A,TFX2,TFX2/A,VAB2,VAB2/A,VAF,VAF/A,VAF6,VAF6/A,VDC2,VDC2/A,VEP4,VEP4/A,VXA4,VXA4/A,VXA5,VXA5/A,VXA6,VXA6/A,VXD4,VXD4/A,VXE1,VXE1/A,VXE2,VXE2/A,VXE4,VXE4/A,VXE8,VXE8/A,VXF,VXF/A,VXF4,VXF4/A,VXP2,VXP2/A,VXZ4,VXZ4/A,VYE3,VYE3/A,VZE7,VZE7/A,VZE8,VZE8/A
			-	-	-	-	3		
21	90018-PN3-000	HOLDER, OIL FILTER .....	-	-	1	-	1		
22	90473-147-000	WASHER, 6X16 .....	-	-	1	-	1		
23	90602-ZE1-000	CLIP, GOVERNOR HOLDER .....	-	-	1	-	1		
24	91202-ZJ1-841	OIL SEAL, 38X58X9 .....	-	-	1	-	1		
25	91302-ZE9-003	O-RING, 11.8X2.4 .....	-	-	2	-	2		
26	94101-06800	WASHER, PLAIN, 6MM .....	-	-	1	-	1		
27	94301-08140	DOWEL PIN, 8X14 .....	-	-	2	-	2		
28	95701-06020-00	BOLT, FLANGE, 6X20 .....	-	-	3	-	3		
29	95701-08050-00	BOLT, FLANGE, 8X50 .....	-	-	9	-	9		
30	96211-12000	BALL, STEEL, #12 (3/8) .....	-	-	1	-	1		
31	96600-06016-00	BOLT, SOCKET, 6X16 .....	-	-	2	-	2		
32	15614-ZN1-820	HOSE, OIL .....	-	-	1	-	1	-----	SYA,SYA/A,VXC,VXC/A
33	15615-ZN1-820	JOINT, OIL HOSE .....	-	-	2	-	2	-----	SYA,SYA/A,VXC,VXC/A







Ref. No.	L.O.N.	(Relative ref. Number) Description	F.R.T.
1		(2,3,9,10,15)	
1101F0		CRANKSHAFT .....	3.4

Ref. No.	Part No.	Description	Reqd. QTY					Serial No.	Parts catalogue code
			GX 620 (1)	GX 620 (2)	GX 620 K1 (1)	GX 620 (3)	GX 620 K1 (2)		
1	13310-ZJ1-000	CRANKSHAFT COMP. (L=133.5)	1	1	-	-	-	SAE1, SAF1, S1	
	13310-ZJ1-870	CRANKSHAFT COMP. (L=130.5)	-	-	1	-	-	SAE1, SAE1/A, SAF1, SAF1/A, SYA, SYA/A	
2	13310-ZJ1-600	CRANKSHAFT COMP. (L=142.5)	1	1	-	1	-	QAB, QAB4, QAB6, QAC6, QAF, QAFP, QAFU, QAF1, QAF2, QAF3, QAF4, QAF5, QAF6, QAF7, QAF8, QAP2, QDA1, QDE1, QDF, QDF4, QDF6, QDW, QXA, QXAP, QXAU, QXA1, QXA3, QXA4, QXA6, QXB1, QXC4, QXE1, QXE3, QXF1, QXF3, QXF6, QYA, QYA4, QYF, QYF4, QYF6, QZX4, QZZ, Q1	
	13310-ZJ1-840	CRANKSHAFT COMP. (L=139.5)	-	-	1	-	-	QAB, QAB/A, QAB6, QAB6/A, QAD2, QAD2/A, QAF, QAF/A, QAF1, QAF1/A, QAF2, QAF2/A, QAF5, QAF5/A, QAF6, QAF6/A, QAF7, QAF7/A, QAF8, QAF8/A, QAF9, QAF9/A, QAX1, QAX1/A, QDF, QDF/A, QDF6, QDF6/A, QDP2, QDP2/A, QDW, QDW/A, QWA6, QWA6/A, QWF6, QWF6/A, QXA, QXA/A, QXA3, QXA3/A, QXA6, QXA6/A, QXB1, QXB1/A, QXC2, QXC2/A, QXE1, QXE1/A, QXE4, QXE4/A, QXE5, QXE5/A, QXE7, QXE7/A, QXE8, QXE8/A, QXF, QXF/A, QXF3, QXF4, QXF4/A, QXF6, QXF6/A, QXF8, QXF8/A, QXW2, QXW2/A, QXW4, QXW4/A, QYA, QYA/A, QYD, QYD/A, QYF, QYF/A, QZB, QZB/A, QZB2, QZB2/A, QZB3, QZB3/A, QZD, QZD/A, QZE3, QZE3/A, QZE4, QZE4/A, QZF1, QZF1/A, QZF2, QZF2/A, QZF8, QZF8/A, QZX1, QZX1/A, QZX4, QZX4/A, QZX5, QZX5/A	
3	13310-ZJ1-670	CRANKSHAFT COMP. (L=163) (5/16-24UNF2BTAP)	1	1	-	1	-	VABP, VAF, VAFP, VAFU, VAF4, VAF6, VXAP, VXAU, VXA1, VXA3, VXE1, VXE2, VXE4, VXE8, VXZ4, VYA1, VYA3, VZA1, VZA3, VZD, VZF1, V1	
	13310-ZJ1-V50	CRANKSHAFT COMP. (L=163) (M10X1.25)	1	-	-	-	-	VZE1, VZE5, VZE7, VZE8	

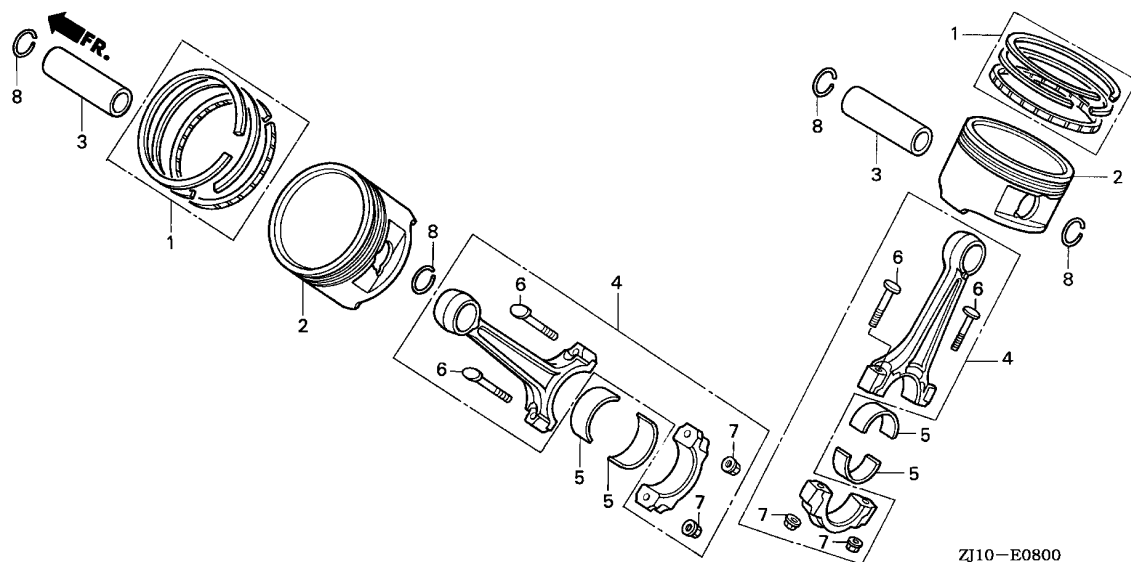
Ref. No.	Part No.	Description	Reqd. QTY					Serial No.	Parts catalogue code
			GX 620	GX 620	GX 620 K1	GX 620	GX 620 K1		
			(1)	(2)	(1)	(3)	(2)		
(3)	13310-ZJ1-860	CRANKSHAFT COMP. (L=160) (5/16-24UNF2BTAP)	-	-	1	-	-	-----	VAF, VAF/A, VAF6, VAF6/A, VDB2, VDB2/A, VEP4, VEP4/A, VXA1, VXA1/A, VXA4, VXA4/A, VXA5, VXA5/A, VXA6, VXA6/A, VXD4, VXD4/A, VXE1, VXE1/A, VXE2, VXE2/A, VXE4, VXE4/A, VXE8, VXE8/A, VXF, VXF/A, VXF4, VXF4/A, VXP2, VXP2/A, VXZ4, VXZ4/A, VYA1, VYA3, VYA3/A, VYE3, VYE3/A, VZA1
5	90745-ZE2-600	KEY, 6.3X6.3X43 .....	1	(1)	1	-	-	-----	QAF3, QAF5, QAF5/A, QAF6, QAF6/A, QAF8, QAF8/A, QDA1, QDE1, QXE3, QXE7, QXE7/A, QXE8, QXE8/A, QXF, QXF/A, QXF1, QXF3, QXF4, QXF4/A, QXF8, QXF8/A, QXW2, QXW2/A, QXW4, QXW4/A, QYD, QYD/A, QZD, QZD/A, QZE3, QZE3/A, QZE4, QZE4/A, Q1
	90745-ZJ1-V10	.....	1	-	1	-	-	-----	QAX1, QAX1/A, QXC4, QZX1, QZX1/A, QZX4, QZX4/A, QZX5, QZX5/A
	90741-805-000	KEY, 7X7X33 .....	1	(1)	-	-	-	-----	SAE1, S1
	90741-889-810	KEY, 7X7X33 (YELLOW) .....	-	(1)	-	-	-	-----	S1
6	90003-ZE3-600	BOLT, HEX., 3/8-24UNF (25MM) .	1	-	1	-	-	-----	QAF5, QAF5/A, QAF6, QAF6/A, QAF8, QAF8/A, QXE3, QXF1, QXF3, QZD, QZD/A, TXF2/A
			-	-	1	-	-	-----	TXF2
7	90471-ZE3-000	WASHER, 10.5X40X4 .....	1	-	1	-	-	-----	QXE3, QXF1, QZD, QZD/A
			1	-	-	-	-	-----	QAF6, QXF3
9	13310-ZJ1-890	CRANKSHAFT COMP. (L=160) (M10X1.25)	-	-	1	-	-	-----	VZE7, VZE7/A, VZE8, VZE8/A
	13310-ZJ1-R30	CRANKSHAFT COMP. (L=160) (7/16-14UNC2BTAP)	-	-	1	-	-	-----	VDC2, VDC2/A
10	13310-ZJ0-U60	CRANKSHAFT COMP. (L=166.5) ..	1	-	-	-	-	-----	TXF2
	13310-ZJ1-810	CRANKSHAFT COMP. (L=163.5) ..	-	-	1	-	-	-----	TXF2, TXF2/A
13	90401-ZJ1-000	WASHER, CRANKSHAFT THRUST (38.5X54.0X1.0)	-	-	1	-	-	-----	QAB, QAB/A, QAB6, QAB6/A, QAD2, QAD2/A, QAF, QAF/A, QAF1, QAF1/A, QAF2, QAF2/A, QAF5, QAF5/A, QAF6, QAF6/A, QAF7, QAF7/A, QAF8, QAF8/A, QAF9, QAF9/A, QAX1, QAX1/A, QDF, QDF/A, QDF6, QDF6/A, QDP2, QDP2/A, QDW, QDW/A, QWA6, QWA6/A, QWF6, QWF6/A, QXA, QXA/A, QXA3, QXA3/A, QXA6, QXA6/A, QXB1, QXB1/A, QXC2, QXC2/A, QXE1, QXE1/A, QXE4, QXE4/A, QXE5, QXE5/A, QXE7, QXE7/A, QXE8, QXE8/A, QXF, QXF/A, QXF4, QXF4/A, QXF6, QXF6/A, QXF8, QXF8/A, QXW2, QXW2/A, QXW4, QXW4/A, QYA, QYA/A, QYD, QYD/A, QYF, QYF/A, QZB, QZB/A, QZB2, QZB2/A, QZB3, QZB3/A, QZD, QZD/A, QZE3, QZE3/A, QZE4, QZE4/A, QZF1, QZF1/A, QZF2, QZF2/A, QZF8, QZF8/A, QZX1, QZX1/A, QZX4, QZX4/A, QZX5, QZX5/A, SAE1, SAE1/A, SAF1, SAF1/A, SYA, SYA/A, TXF2, TXF2/A, VAB2, VAB2/A, VAB3, VAB3/A, VAF, VAF/A, VAF6, VAF6/A, VDB2, VDB2/A, VDC2, VDC2/A, VEP4, VEP4/A, VXA1, VXA1/A, VXA4, VXA4/A, VXA5, VXA5/A, VXA6, VXA6/A, VXD4, VXD4/A, VXE1, VXE1/A, VXE2, VXE2/A, VXE4, VXE4/A, VXE8, VXE8/A, VXF, VXF/A, VXF4, VXF4/A, VXP2, VXP2/A, VXZ4, VXZ4/A, VYA3, VYA3/A, VYE3, VYE3/A, VZE7, VZE7/A, VZE8, VZE8/A
			-	-	-	-	1		
14	90401-ZJ1-000	WASHER, CRANKSHAFT THRUST (38.5X54.0X1.0)	-	-	1	-	-	-----	2067409 QAX1, QZX1
	90401-ZJ1-940	WASHER, CRANKSHAFT THRUST (38.5X58.0X2.0)	-	-	1	-	-	-----	QAX1/A, QZX1/A
			-	-	1	-	-	-----	2067410 QAX1, QZX1
15	13310-ZJ1-880	CRANKSHAFT COMP. (L=105.5) (M10X1.25)	-	-	1	-	-	-----	VAB2, VAB2/A, VAB3, VAB3/A



E-8

PISTON(GX620)

F10



Ref. No.	L.O.N.	(Relative ref. Number) Description	F.R.T.
2		(1,3,4,5)	
1111R2		PISTON AND/OR RING SET AND/OR BEARING AND/OR ROD (1 CYLINDER) :LEFT BANK ..... .INCLUDES: Inspection/ Measurement/Cleaning	3.6
1111R3		PISTON AND/OR RING SET AND/OR BEARING AND/OR ROD (1 CYLINDER) :RIGHT BANK .... .INCLUDES: Inspection/ Measurement/Cleaning	3.6
1111R4		PISTON AND/OR RING SET AND/OR BEARING AND/OR ROD (ALL CYLINDERS) :BOTH BANKS . .INCLUDES: Inspection/ Measurement/Cleaning	4.0

2

Ref. No.	Part No.	Description	Reqd. QTY					Serial No.	Parts catalogue code
			GX 620 (1)	GX 620 (2)	GX 620 K1 (1)	GX 620 (3)	GX 620 K1 (2)		
1	13010-ZE8-601	RING SET, PISTON (STD.) (NIPPON)	2	2	-	2	-		
	13010-ZE8-602	RING SET, PISTON (STD.) (TEIKOKU)	2	2	-	2	-		
	13011-ZE8-601	RING SET, PISTON (0.25) (NIPPON)	(2)	(2)	-	(2)	-		
	13011-ZE8-602	RING SET, PISTON (0.25) (TEIKOKU)	(2)	(2)	-	(2)	-		
	13012-ZE8-601	RING SET, PISTON (0.50) (NIPPON)	(2)	(2)	-	(2)	-		
	13012-ZE8-602	RING SET, PISTON (0.50) (TEIKOKU)	(2)	(2)	-	(2)	-		
	13013-ZE8-601	RING SET, PISTON (0.75) (NIPPON)	(2)	(2)	-	(2)	-		
	13013-ZE8-602	RING SET, PISTON (0.75) (TEIKOKU)	(2)	(2)	-	(2)	-		
2	13101-ZJ1-000	PISTON (STD.) .....	2	-	-	-	-	QAB, QAB4, QAB6, QAC6, QAF, QAF1, QAF2, QAF3, QAF4, QAF5, QAF6, QAF7, QAF8, QAP2, QDA1, QDE1, QDF, QDF4, QDF6, QDW, QXA, QXA1, QXA3, QXA4, QXA6, QXB1, QXC4, QXE1, QXE3, QXF1, QXF3, QXF6, QYA, QYA4, QYF, QYF4, QYF6, QZX4, SAE1, SAF1, TFX2, VAF, VAF4, VAF6, VXA1, VXA3, VXE1, VXE2, VXE4, VXE8, VXZ4, VYA1, VYA3, VZA1, VZA3, VZD, VZE1, VZE5, VZE7, VZE8, VZF1	
	13101-ZJ1-900	PISTON (LONG TAIL) .....	-	2	-	2	-	QZZ	
	13102-ZJ1-000	PISTON (0.25) .....	(2)	(2)	-	(2)	-		
	13103-ZJ1-000	PISTON (0.50) .....	(2)	(2)	-	(2)	-		
	13104-ZJ1-000	PISTON (0.75) .....	(2)	(2)	-	(2)	-		

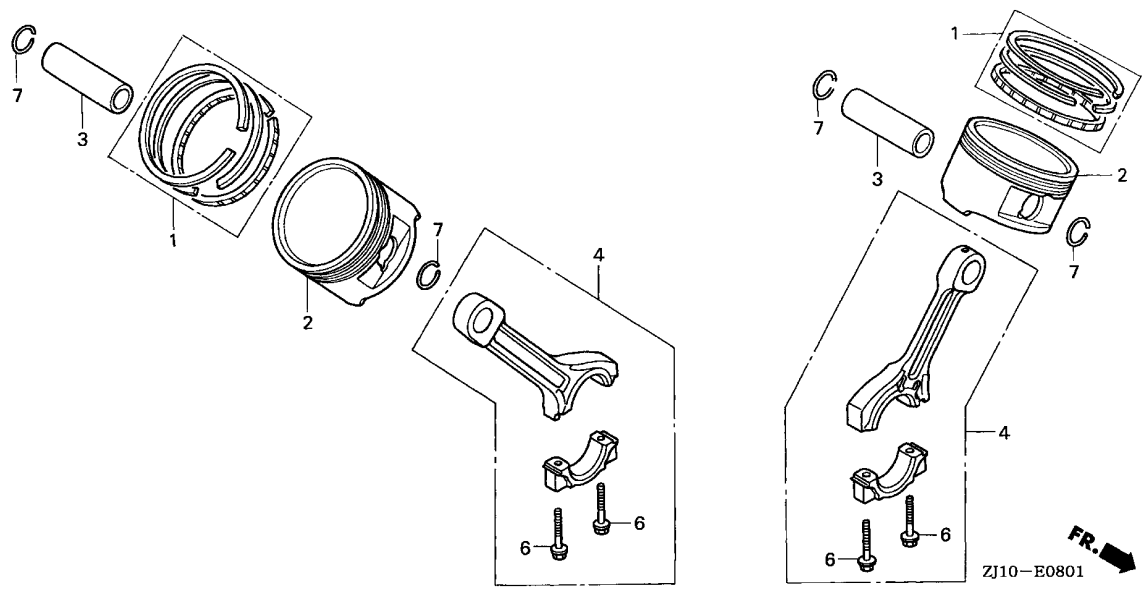
Ref. No.	Part No.	Description	Reqd. QTY					Serial No.	Parts catalogue code
			GX 620	GX 620	GX 620 K1	GX 620	GX 620 K1		
			(1)	(2)	(1)	(3)	(2)		
3	13111-ZJ1-000	PIN, PISTON .....	2	-	-	-	-	----- QAB,QAB4,QAB6,QAC6,QAF,QAF1,QAF2,QAF3,QAF4,QAF5,QAF6,QAF7,QAF8,QAP2,QDA1,QDE1,QDF,QDF4,QDF6,QDW,QXA,QXA1,QXA3,QXA4,QXA6,QXB1,QXC4,QXE1,QXE3,QXF1,QXF3,QXF6,QYA,QYA4,QYF,QYF4,QYF6,QZX4,SAE1,SAF1,TFX2,VAF,VAF4,VAF6,VXA1,VXA3,VXE1,VXE2,VXE4,VXE8,VXZ4,VYA1,VYA3,VZA1,VZA3,VZD,VZE1,VZE5,VZE7,VZE8,VZF1	
	13111-ZE2-000	.....	-	2	-	2	-	----- QZZ	
4	13210-ZJ1-000	ROD SET, CONNECTING .....	2	2	-	2	-		
5	13211-ZJ1-003	BEARING A, CONNECTING ROD (BLUE)	4	4	-	4	-		
	13212-ZJ1-003	BEARING B, CONNECTING ROD (BLACK)	4	4	-	4	-		
	13213-ZJ1-003	BEARING C, CONNECTING ROD (BROWN)	4	4	-	4	-		
	13214-ZJ1-003	BEARING D, CONNECTING ROD (GREEN)	4	4	-	4	-		
	13215-ZJ1-003	BEARING E, CONNECTING ROD (YELLOW)	4	4	-	4	-		
	13216-ZJ1-003	BEARING F, CONNECTING ROD (PINK)	4	4	-	4	-		
	13217-ZJ1-003	BEARING G, CONNECTING ROD (RED)	4	4	-	4	-		
6	13213-MLO-000	BOLT, CONNECTING ROD .....	4	4	-	4	-		
7	13215-KM3-000	NUT, CONNECTING ROD .....	4	4	-	4	-		
8	94601-18000	CLIP, PISTON PIN, 18MM .....	4	-	-	-	-	----- 1025020 QAB,QAB4,QAB6,QAC6,QAF,QAF1,QAF2,QAF3,QAF4,QAF5,QAF6,QAP2,QDA1,QDE1,QDF,QDF4,QDF6,QDW,QXA,QXA1,QXA3,QXA4,QXA6,QXB1,QXC4,QXE1,QXE3,QXF1,QXF3,QXF6,QYA,QYA4,QYF,QYF4,QYF6,QZX4,QZZ,SAF1,TFX2,VAF,VAF4,VAF6,VXA1,VXA3,VXE1,VXE4,VZA1,VZD,VZE1,VZE5,VZE7,VZF1	
	90551-ZE1-000	.....	-	4	-	-	-	----- QAF7,QAF8,SAE1,VXE2,VXE8,VXZ4,VYA1,VYA3,VZA3,VZE8	
			4	-	-	-	-	----- 1025021 QAB,QAB4,QAB6,QAC6,QAF,QAF1,QAF2,QAF3,QAF4,QAF5,QAF6,QAP2,QDA1,QDE1,QDF,QDF4,QDF6,QDW,QXA,QXA1,QXA3,QXA4,QXA6,QXB1,QXC4,QXE1,QXE3,QXF1,QXF3,QXF6,QYA,QYA4,QYF,QYF4,QYF6,QZX4,QZZ,SAF1,TFX2,VAF,VAF4,VAF6,VXA1,VXA3,VXE1,VXE4,VZA1,VZD,VZE1,VZE5,VZE7,VZF1	
			-	-	-	4	-		



E-8-1

PISTON(GX620K1)

F12



Ref. No.	L.O.N.	(Relative ref. Number) Description	F.R.T.
2		(1,3,4)	
1111R2		PISTON AND/OR RING SET AND/OR BEARING AND/OR ROD (1 CYLINDER) :LEFT BANK ..... .INCLUDES: Inspection/ Measurement/Cleaning	3.6
1111R3		PISTON AND/OR RING SET AND/OR BEARING AND/OR ROD (1 CYLINDER) :RIGHT BANK .... .INCLUDES: Inspection/ Measurement/Cleaning	3.6
1111R4		PISTON AND/OR RING SET AND/OR BEARING AND/OR ROD (ALL CYLINDERS) :BOTH BANKS . .INCLUDES: Inspection/ Measurement/Cleaning	4.0

Ref. No.	Part No.	Description	Reqd. QTY					Serial No.	Parts catalogue code
			GX 620 (1)	GX 620 (2)	GX 620 K1 (1)	GX 620 (3)	GX 620 K1 (2)		
1	13010-ZJ1-841	RING SET, PISTON (STD.) (NIPPON)	-	-	2	-	2		
	13011-ZJ1-841	RING SET, PISTON (0.25) (NIPPON)	-	-	(2)	-	(2)		
	13012-ZJ1-841	RING SET, PISTON (0.50) (NIPPON)	-	-	(2)	-	(2)		
	13013-ZJ1-841	RING SET, PISTON (0.75) (NIPPON)	-	-	(2)	-	(2)		
2	13101-ZJ1-840	PISTON (STD.) .....	-	-	2	-	-	QAB, QAB/A, QAB6, QAB6/A, QAD2, QAD2/A, QAF, QAF/A, QAF1, QAF1/A, QAF2, QAF2/A, QAF5, QAF5/A, QAF6, QAF6/A, QAF7, QAF7/A, QAF8, QAF8/A, QAF9, QAF9/A, QDF, QDF/A, QDF6, QDF6/A, QDP2, QDP2/A, QDW, QDW/A, QWA6, QWA6/A, QWF6, QWF6/A, QXA, QXA/A, QXA3, QXA3/A, QXA6, QXA6/A, QXB1, QXB1/A, QXC2, QXC2/A, QXE1, QXE1/A, QXE4, QXE4/A, QXE5, QXE5/A, QXE7, QXE7/A, QXE8, QXE8/A, QXF, QXF/A, QXF3, QXF4, QXF4/A, QXF6, QXF6/A, QXF8, QXF8/A, QXW2, QXW2/A, QXW4, QXW4/A, QYA, QYA/A, QYD, QYD/A, QYF, QYF/A, QZB, QZB/A, QZB2, QZB2/A, QZB3, QZB3/A, QZD, QZD/A, QZE3, QZE3/A, QZE4, QZE4/A, QZF1, QZF1/A, QZF2, QZF2/A, QZF8, QZF8/A, QZX4, QZX4/A, QZX5, QZX5/A, SAE1, SAE1/A, SAF1, SAF1/A, SYA, SYA/A, TXF2, TXF2/A, VAB2, VAB2/A, VAB3, VAB3/A, VAF, VAF/A, VAF6, VAF6/A, VDB2, VDB2/A, VDC2, VDC2/A, VEP4, VEP4/A, VXA1, VXA1/A, VXA4, VXA4/A, VXA5, VXA5/A, VXA6, VXA6/A, VXD4, VXD4/A, VXE1, VXE1/A, VXE2, VXE2/A, VXE4, VXE4/A, VXE8, VXE8/A, VXF, VXF/A, VXF4, VXF4/A, VXP2, VXP2/A, VXZ4, VXZ4/A, VYA1, VYA3, VYA3/A, VYE3, VYE3/A, VZA1, VZE7, VZE7/A, VZE8, VZE8/A	
	13101-ZN1-000	.....	-	-	2	-	-	QAX1, QAX1/A, QZX1, QZX1/A	

2

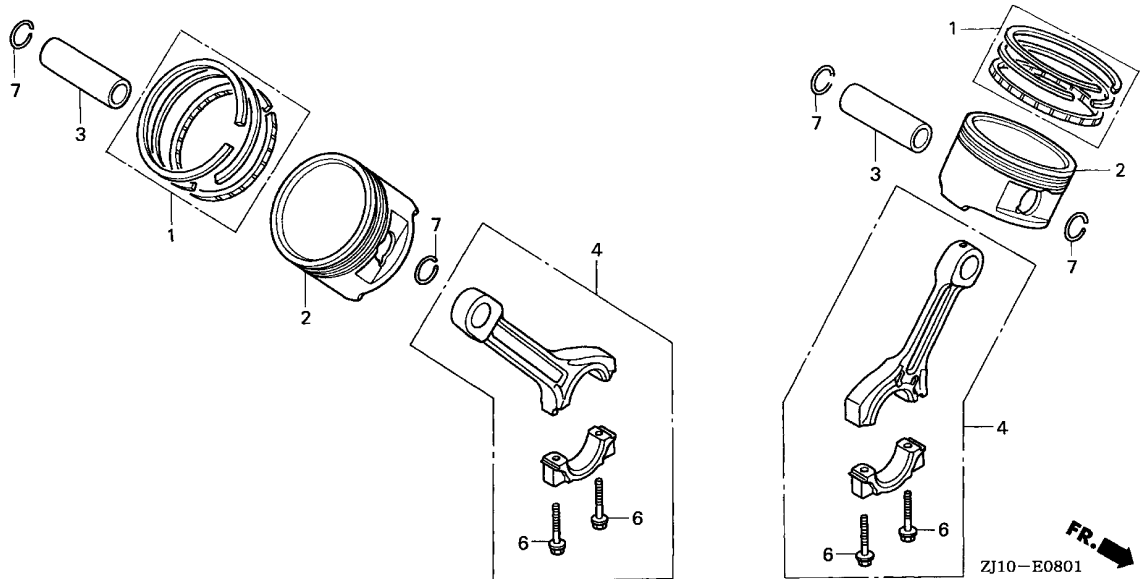
Ref. No.	Part No.	Description	Reqd. QTY					Serial No.	Parts catalogue code
			GX 620	GX 620	GX 620 K1	GX 620	GX 620 K1		
(2)	13102-ZJ1-840	PISTON (0.25)	-	-	(2)	-	-	QAB,QAB/A,QAB6,QAB6/A,QAD2,QAD2/A,QAF,QAF/A,QAF1,QAF1/A,QAF2,QAF2/A,QAF5,QAF5/A,QAF6,QAF6/A,QAF7,QAF7/A,QAF8,QAF8/A,QAF9,QAF9/A,QDF,QDF/A,QDF6,QDF6/A,QDP2,QDP2/A,QDW,QDW/A,QWA6,QWA6/A,QWF6,QWF6/A,QXA,QXA/A,QXA3,QXA3/A,QXA6,QXA6/A,QXB1,QXB1/A,QXC2,QXC2/A,QXE1,QXE1/A,QXE4,QXE4/A,QXE5,QXE5/A,QXE7,QXE7/A,QXE8,QXE8/A,QXF,QXF/A,QXF3,QXF4,QXF4/A,QXF6,QXF6/A,QXF8,QXF8/A,QXW2,QXW2/A,QXW4,QXW4/A,QYA,QYA/A,QYD,QYD/A,QYF,QYF/A,QZB,QZB/A,QZB2,QZB2/A,QZB3,QZB3/A,QZD,QZD/A,QZE3,QZE3/A,QZE4,QZE4/A,QZF1,QZF1/A,QZF2,QZF2/A,QZF8,QZF8/A,QZX4,QZX4/A,QZX5,QZX5/A,SAE1,SAE1/A,SAF1,SAF1/A,SYA,SYA/A,TFX2,TFX2/A,VAB2,VAB2/A,VAB3,VAB3/A,VAF,VAF/A,VAF6,VAF6/A,VDB2,VDB2/A,VDC2,VDC2/A,VEP4,VEP4/A,VXA1,VXA1/A,VXA4,VXA4/A,VXA5,VXA5/A,VXA6,VXA6/A,VXD4,VXD4/A,VXE1,VXE1/A,VXE2,VXE2/A,VXE4,VXE4/A,VXE8,VXE8/A,VXF,VXF/A,VXF4,VXF4/A,VXP2,VXP2/A,VXZ4,VXZ4/A,VYA1,VYA3,VYA3/A,VYE3,VYE3/A,VZA1,VZE7,VZE7/A,VZE8,VZE8/A	
	13102-ZN1-000	.....	-	-	(2)	-	(2)	QAX1,QAX1/A,QZX1,QZX1/A	
	13103-ZJ1-840	PISTON (0.50)	-	-	(2)	-	-	QAB,QAB/A,QAB6,QAB6/A,QAD2,QAD2/A,QAF,QAF/A,QAF1,QAF1/A,QAF2,QAF2/A,QAF5,QAF5/A,QAF6,QAF6/A,QAF7,QAF7/A,QAF8,QAF8/A,QAF9,QAF9/A,QDF,QDF/A,QDF6,QDF6/A,QDP2,QDP2/A,QDW,QDW/A,QWA6,QWA6/A,QWF6,QWF6/A,QXA,QXA/A,QXA3,QXA3/A,QXA6,QXA6/A,QXB1,QXB1/A,QXC2,QXC2/A,QXE1,QXE1/A,QXE4,QXE4/A,QXE5,QXE5/A,QXE7,QXE7/A,QXE8,QXE8/A,QXF,QXF/A,QXF3,QXF4,QXF4/A,QXF6,QXF6/A,QXF8,QXF8/A,QXW2,QXW2/A,QXW4,QXW4/A,QYA,QYA/A,QYD,QYD/A,QYF,QYF/A,QZB,QZB/A,QZB2,QZB2/A,QZB3,QZB3/A,QZD,QZD/A,QZE3,QZE3/A,QZE4,QZE4/A,QZF1,QZF1/A,QZF2,QZF2/A,QZF8,QZF8/A,QZX4,QZX4/A,QZX5,QZX5/A,SAE1,SAE1/A,SAF1,SAF1/A,SYA,SYA/A,TFX2,TFX2/A,VAB2,VAB2/A,VAB3,VAB3/A,VAF,VAF/A,VAF6,VAF6/A,VDB2,VDB2/A,VDC2,VDC2/A,VEP4,VEP4/A,VXA1,VXA1/A,VXA4,VXA4/A,VXA5,VXA5/A,VXA6,VXA6/A,VXD4,VXD4/A,VXE1,VXE1/A,VXE2,VXE2/A,VXE4,VXE4/A,VXE8,VXE8/A,VXF,VXF/A,VXF4,VXF4/A,VXP2,VXP2/A,VXZ4,VXZ4/A,VYA1,VYA3,VYA3/A,VYE3,VYE3/A,VZA1,VZE7,VZE7/A,VZE8,VZE8/A	
	13103-ZN1-000	.....	-	-	(2)	-	(2)	QAX1,QAX1/A,QZX1,QZX1/A	
	13104-ZJ1-840	PISTON (0.75)	-	-	(2)	-	-	QAB,QAB/A,QAB6,QAB6/A,QAD2,QAD2/A,QAF,QAF/A,QAF1,QAF1/A,QAF2,QAF2/A,QAF5,QAF5/A,QAF6,QAF6/A,QAF7,QAF7/A,QAF8,QAF8/A,QAF9,QAF9/A,QDF,QDF/A,QDF6,QDF6/A,QDP2,QDP2/A,QDW,QDW/A,QWA6,QWA6/A,QWF6,QWF6/A,QXA,QXA/A,QXA3,QXA3/A,QXA6,QXA6/A,QXB1,QXB1/A,QXC2,QXC2/A,QXE1,QXE1/A,QXE4,QXE4/A,QXE5,QXE5/A,QXE7,QXE7/A,QXE8,QXE8/A,QXF,QXF/A,QXF3,QXF4,QXF4/A,QXF6,QXF6/A,QXF8,QXF8/A,QXW2,QXW2/A,QXW4,QXW4/A,QYA,QYA/A,QYD,QYD/A,QYF,QYF/A,QZB,QZB/A,QZB2,QZB2/A,QZB3,QZB3/A,QZD,QZD/A,QZE3,QZE3/A,QZE4,QZE4/A,QZF1,QZF1/A,QZF2,QZF2/A,QZF8,QZF8/A,QZX4,QZX4/A,QZX5,QZX5/A,SAE1,SAE1/A,SAF1,SAF1/A,SYA,SYA/A,TFX2,TFX2/A,VAB2,VAB2/A,VAB3,VAB3/A,VAF,VAF/A,VAF6,VAF6/A,VDB2,VDB2/A,VDC2,VDC2/A,VEP4,VEP4/A,VXA1,VXA1/A,VXA4,VXA4/A,VXA5,VXA5/A,VXA6,VXA6/A,VXD4,VXD4/A,VXE1,VXE1/A,VXE2,VXE2/A,VXE4,VXE4/A,VXE8,VXE8/A,VXF,VXF/A,VXF4,VXF4/A,VXP2,VXP2/A,VXZ4,VXZ4/A,VYA1,VYA3,VYA3/A,VYE3,VYE3/A,VZA1,VZE7,VZE7/A,VZE8,VZE8/A	
	13104-ZN1-000	.....	-	-	(2)	-	(2)	QAX1,QAX1/A,QZX1,QZX1/A	
3	13111-ZJ1-840	PIN, PISTON	-	-	2	-	2		
4	13200-ZJ1-841	ROD ASSY., CONNECTING	-	-	2	-	2		
6	90001-ZN1-000	BOLT, CONNECTING ROD, 6X37	-	-	4	-	4		



E-8-1

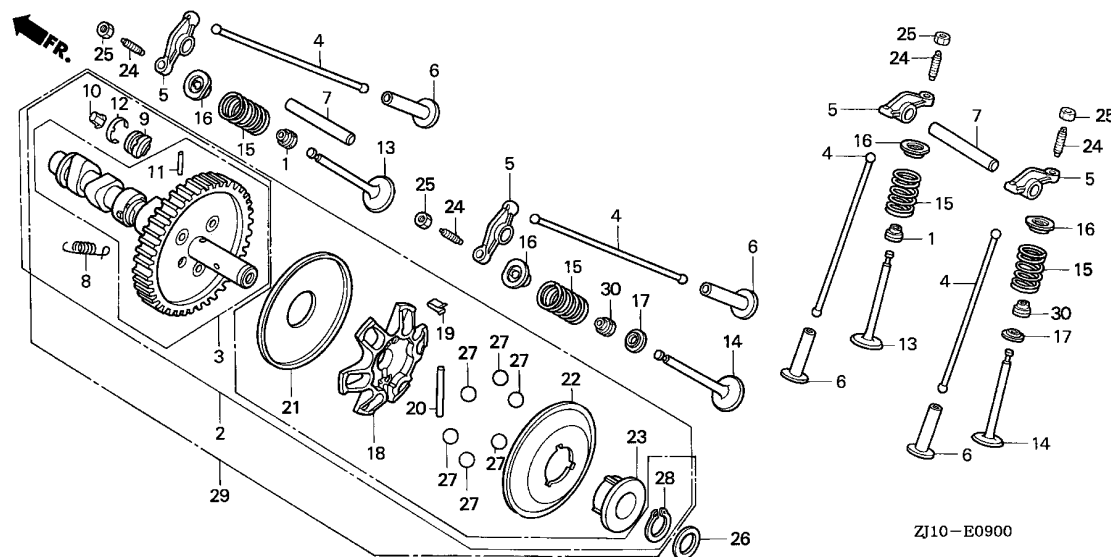
PISTON(GX620K1)

F14



Ref. No.	Part No.	Description	Reqd. QTY					Serial No.	Parts catalogue code
			GX 620 (1)	GX 620 (2)	GX 620 K1 (1)	GX 620 (3)	GX 620 K1 (2)		
7	94601-18000	CLIP, PISTON PIN, 18MM .....	-	-	4	-	4	-----	QAB,QAB6,QAD2,QAF,QAF1,QAF2,QAF5,QAF6,QAF7,QAF8,QAF9,QAX1,QDF,QDF6,QDP2,QDW,QWA6,QWF6,QXA,QXA3,QXA6,QXB1,QXC2,QXE1,QXE4,QXE5,QXE7,QXE8,QXF,QXF3,QXF4,QXF6,QXF8,QXW2,QXW4,QYA,QYD,QYF,QZB,QZB2,QZB3,QZD,QZE3,QZE4,QZF1,QZF2,QZF8,QZX1,QZX4,QZX5,SAE1,SAF1,SYA,TXF2,VAB2,VAB3,VAF,VAF6,VDB2,VDC2,VEP4,VXA1,VXA4,VXA5,VXA6,VXC,VXC1,VXC2,VXD4,VXE1,VXE2,VXE4,VXE8,VXF,VXF4,VXP2,VXZ4,VYA1,VYA3,VYE3,VZA1,VZE7,VZE8
	90551-ZE1-000	.....	-	-	4	-	4	-----	QAB/A,QAB6/A,QAD2/A,QAF/A,QAF1/A,QAF2/A,QAF5/A,QAF6/A,QAF7/A,QAF8/A,QAF9/A,QAX1/A,QDF/A,QDF6/A,QDP2/A,QDW/A,QWA6/A,QWF6/A,QXA/A,QXA3/A,QXA6/A,QXB1/A,QXC2/A,QXE1/A,QXE4/A,QXE5/A,QXE7/A,QXE8/A,QXF/A,QXF4/A,QXF6/A,QXF8/A,QXW2/A,QXW4/A,QYA/A,QYD/A,QYF/A,QZB/A,QZB2/A,QZB3/A,QZD/A,QZE3/A,QZE4/A,QZF1/A,QZF2/A,QZF8/A,QZX1/A,QZX4/A,QZX5/A,SAE1/A,SAF1/A,SYA/A,TXF2/A,VAB2/A,VAB3/A,VAF/A,VAF6/A,VDB2/A,VDC2/A,VEP4/A,VXA1/A,VXA4/A,VXA5/A,VXA6/A,VXC/A,VXC1/A,VXC2/A,VXD4/A,VXE1/A,VXE2/A,VXE4/A,VXE8/A,VXF/A,VXF4/A,VXP2/A,VXZ4/A,VYA3/A,VYE3/A,VZE7/A,VZE8/A

2



Ref. No.	L.O.N.	(Relative ref. Number) Description	F.R.T.
1	1111U9	SEAL, INTAKE VALVE STEM(ONE) :LEFT BANK ..... .INCLUDES: Valve clearance adjustment	1.2
	1111U9B	.Replace one head(intake and exhaust all) add .....	0.1
	1111U9C	.Replace both heads (intake and exhaust all) add .....	0.3
	1111V0	SEAL, INTAKE VALVE STEM(ONE) :RIGHT BANK ..... .INCLUDES: Valve clearance adjustment	1.2
	1111V0B	.Replace one head(intake and exhaust all) add .....	0.1
	1111V0C	.Replace both heads (intake and exhaust all) add .....	0.3
3	1111C2	CAMSHAFT ..... .INCLUDES: Valve clearance adjustment	1.3
4	1111X5	ROD, PUSH(ONE) :LEFT BANK INTAKE ..... .INCLUDES: Valve clearance adjustment	0.3
	1111X5B	.Replace one head(intake and exhaust all) add .....	0.1

Ref. No.	Part No.	Description	Reqd. QTY					Serial No.	Parts catalogue code
			GX 620	GX 620	GX 620 K1	GX 620 (3)	GX 620 K1 (2)		
1	12209-ZE8-003	SEAL, VALVE STEM .....	2	2	-	2	-		
2	14100-ZJ1-801	CAMSHAFT ASSY. ....	1	-	-	-	-	QAB,QAB4,QAB6,QAC6,QAF,QAF1,QAF2,QAF3,QAF4,QAF5,QAF6,QAF7,QAF8,QAP2,QDA1,QDE1,QDF,QDF4,QDF6,QDW,QXA,QXA1,QXA3,QXA4,QXA6,QXB1,QXC4,QXE1,QXE3,QXF1,QXF3,QXF6,QYA,QYA4,QYF,QYF4,QYF6,QZX4,SAE1,SAF1,TFX2,VAF,VAF4,VAF6,VXA1,VXA3,VXE1,VXE2,VXE4,VXE8,VXZ4,VYA1,VYA3,VZA1,VZA3,VZD,VZE1,VZE5,VZE7,VZE8,VZF1	
3	14110-ZJ1-801	CAMSHAFT COMP. ....	-	1	-	1	-		
4	14410-ZJ1-000	ROD, PUSH .....	4	4	-	4	-		
5	14431-ZJ1-000	ARM, VALVE ROCKER .....	4	4	-	4	-		
6	14441-ZE2-000	LIFTER, VALVE .....	4	4	-	4	-		
7	14461-ZJ1-000	SHAFT, ROCKER ARM .....	2	2	-	2	-		
8	14568-ZJ1-800	SPRING, WEIGHT RETURN .....	1	-	-	-	-	QAB,QAB4,QAB6,QAC6,QAF,QAF1,QAF2,QAF3,QAF4,QAF5,QAF6,QAF7,QAF8,QAP2,QDA1,QDE1,QDF,QDF4,QDF6,QDW,QXA,QXA1,QXA3,QXA4,QXA6,QXB1,QXC4,QXE1,QXE3,QXF1,QXF3,QXF6,QYA,QYA4,QYF,QYF4,QYF6,QZX4,SAE1,SAF1,TFX2,VAF,VAF4,VAF6,VXA1,VXA3,VXE1,VXE2,VXE4,VXE8,VXZ4,VYA1,VYA3,VZA1,VZA3,VZD,VZE1,VZE5,VZE7,VZE8,VZF1	
	14568-ZJ1-900	.....	-	1	-	1	-	QZZ	
9	14569-ZJ1-801	HOLDER, DECOMPER PIN .....	2	2	-	2	-		
10	14576-ZJ1-800	PIN A, DECOMPER (7.85) .....	2	-	-	-	-	QAB,QAF,QDF,QXA,QYA,QYF,VAF	
			-	2	-	-	-		

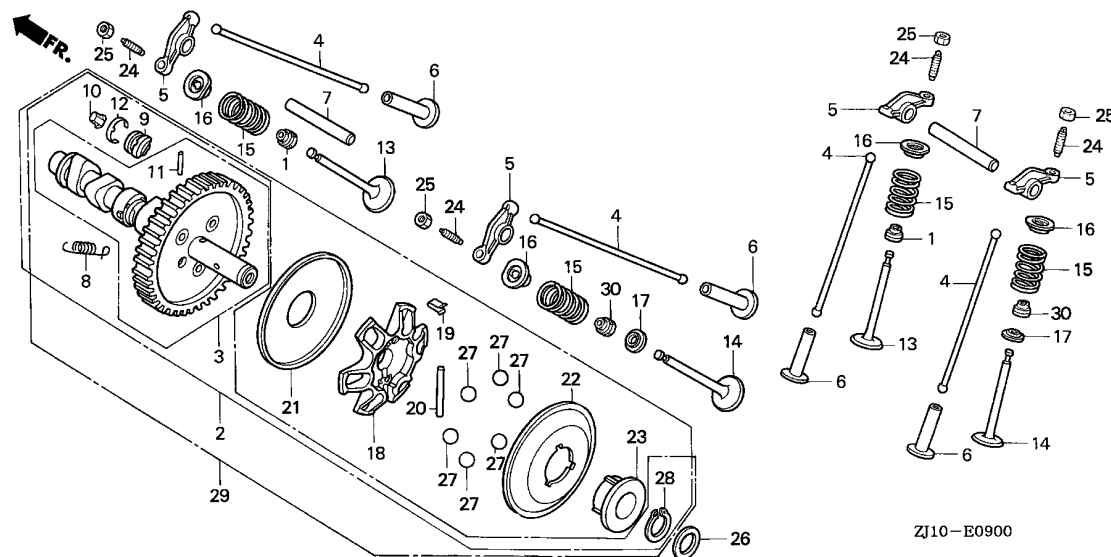




E-9

CAMSHAFT(GX620)

F16



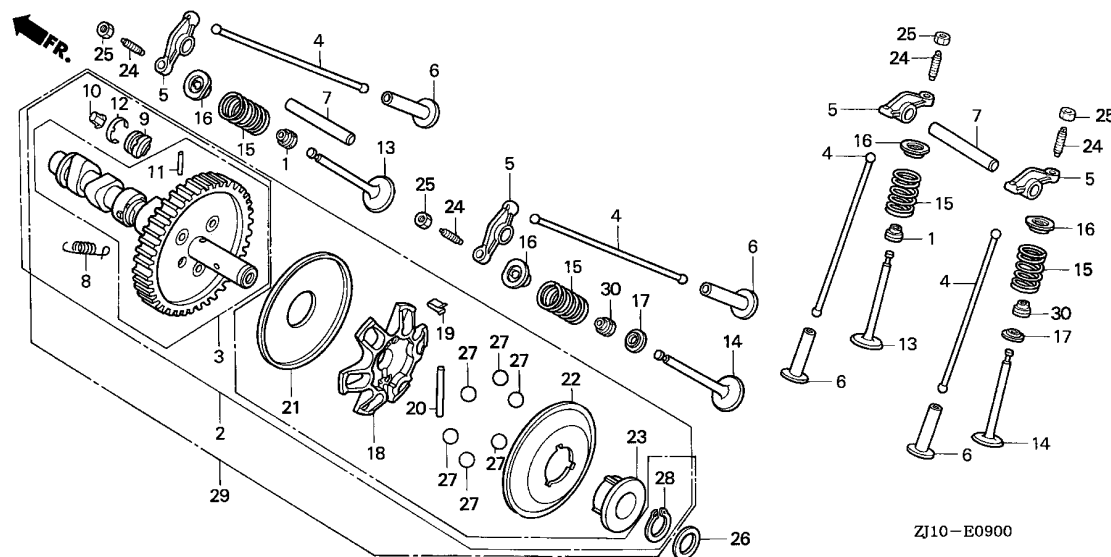
Ref. No.	L.O.N.	(Relative ref. Number) Description	F.R.T.
+ 4	1111X5C	.Replace both heads (intake and exhaust all) add	0.3
	1111X6	ROD, PUSH(ONE) :RIGHT BANK INTAKE ..... .INCLUDES: Valve clearance adjustment	0.3
	1111X6B	.Replace one head(intake and exhaust all) add .....	0.1
	1111X6C	.Replace both heads (intake and exhaust all) add	0.3
	1111X7	ROD, PUSH(ONE) :LEFT BANK EXHAUST ..... .INCLUDES: Valve clearance adjustment	0.3
	1111X7B	.Replace one head(intake and exhaust all) add .....	0.1
	1111X7C	.Replace both heads (intake and exhaust all) add	0.3
	1111X8	ROD, PUSH(ONE) :RIGHT BANK EXHAUST ..... .INCLUDES: Valve clearance adjustment	0.3
+ 1	1111X8B	.Replace one head(intake and exhaust all) add .....	0.1

ZJ10-E0900

Ref. No.	Part No.	Description	Reqd. QTY					Serial No.	Parts catalogue code
			GX 620 (1)	GX 620 (2)	GX 620 K1 (1)	GX 620 K1 (2)	GX 620 (3)		
10)	14576-ZJ1-801	PIN A, DECOMPER (7.85) .....	2	-	-	-	-	QAB4, QAB6, QAC6, QAF1, QAF2, QAF3, QAF4, QAF5, QAF6, QAF7, QAF8 QAP2, QDA1, QDE1, QDF4, QDF6, QDW, QXA1, QXA3, QXA4, QXA6, QXB1, QXC4 QXE1, QXE3, QXF1, QXF3, QXF6, QYA4, QYF4, QYF6, QZX4, QZZ, SAE1, SAF1 TXF2, VAF4, VAF6, VXA1, VXA3, VXE1, VXE2, VXE4, VXE8, VXZ4, VYA1 VYA3, VZA1, VZA3, VZD, VZE1, VZE5, VZE7, VZE8, VZF1	
	14577-ZJ1-800	PIN B, DECOMPER (7.95) .....	2	-	-	2	-	QAB, QAF, QDF, QXA, QYA, QYF, VAF	
	14577-ZJ1-801	.....	2	-	-	-	-	QAB4, QAB6, QAC6, QAF1, QAF2, QAF3, QAF4, QAF5, QAF6, QAF7, QAF8 QAP2, QDA1, QDE1, QDF4, QDF6, QDW, QXA1, QXA3, QXA4, QXA6, QXB1, QXC4 QXE1, QXE3, QXF1, QXF3, QXF6, QYA4, QYF4, QYF6, QZX4, QZZ, SAE1, SAF1 TXF2, VAF4, VAF6, VXA1, VXA3, VXE1, VXE2, VXE4, VXE8, VXZ4, VYA1 VYA3, VZA1, VZA3, VZD, VZE1, VZE5, VZE7, VZE8, VZF1	
	14578-ZJ1-800	PIN C, DECOMPER (8.05) .....	2	-	-	-	-	QAB, QAF, QDF, QXA, QYA, QYF, VAF	
	14578-ZJ1-801	.....	2	-	-	-	-	QAB4, QAB6, QAC6, QAF1, QAF2, QAF3, QAF4, QAF5, QAF6, QAF7, QAF8 QAP2, QDA1, QDE1, QDF4, QDF6, QDW, QXA1, QXA3, QXA4, QXA6, QXB1, QXC4 QXE1, QXE3, QXF1, QXF3, QXF6, QYA4, QYF4, QYF6, QZX4, QZZ, SAE1, SAF1 TXF2, VAF4, VAF6, VXA1, VXA3, VXE1, VXE2, VXE4, VXE8, VXZ4, VYA1 VYA3, VZA1, VZA3, VZD, VZE1, VZE5, VZE7, VZE8, VZF1	
	14579-ZJ1-800	PIN D, DECOMPER (8.15) .....	2	-	-	-	-	QAB, QAF, QDF, QXA, QYA, QYF, VAF	
			-	2	-	-	-		

E-9

CAMSHAFT(GX620)



Ref. No.	L.O.N.	(Relative ref. Number) Description	F.R.T.
+ 4	1111X8C	.Replace both heads (intake and exhaust all) add (7)	0.3
5	1111T1	ARM, ROCKER :LEFT BANK INTAKE .INCLUDES: Valve clearance adjustment	0.3
	1111T1B	.Replace both heads (intake and exhaust all) add	0.3
	1111U3	ARM, ROCKER :LEFT BANK EXHAUST .INCLUDES: Valve clearance adjustment	0.3
	1111U3B	.Replace both heads (intake and exhaust all) add	0.3
	1111T2	ARM, ROCKER :RIGHT BANK INTAKE .INCLUDES: Valve clearance adjustment	0.3
	1111T2B	.Replace both heads (intake and exhaust all) add	0.3
	1111U4	ARM, ROCKER :RIGHT BANK EXHAUST ..... .INCLUDES: Valve clearance adjustment	0.3
	1111U4B	.Replace both heads (intake and exhaust all) add	0.3
+ 6	1111L9	LIFTER, VALVE :INTAKE .....	1.2

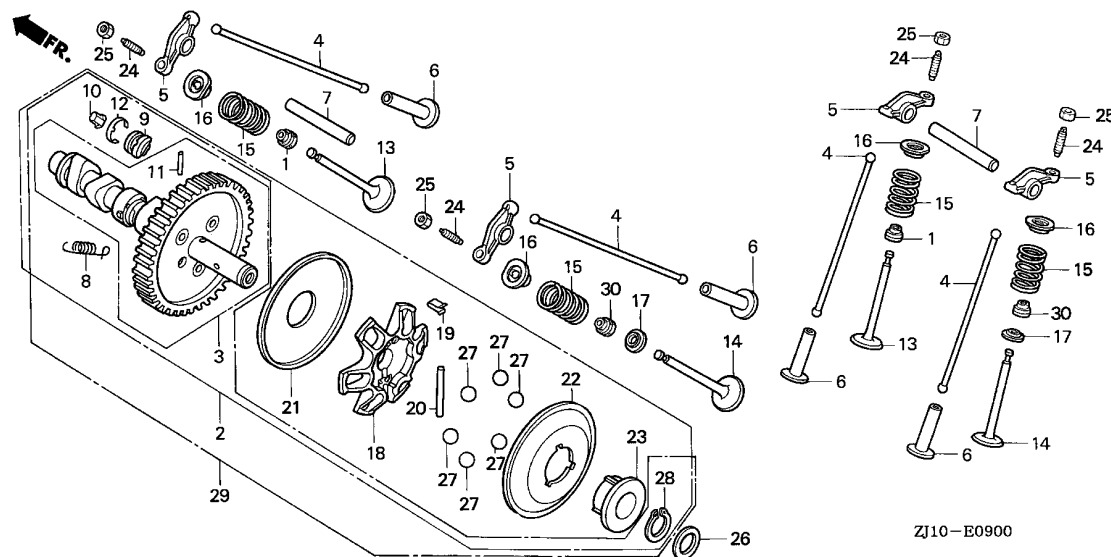
Ref. No.	Part No.	Description	Reqd. QTY					Serial No.	Parts catalogue code
			GX 620 (1)	GX 620 (2)	GX 620 K1 (1)	GX 620 (3)	GX 620 K1 (2)		
10)	14579-ZJ1-801	PIN D, DECOMPER (8.15) .....	2	-	-	-	-	QAB4, QAB6, QAC6, QAF1, QAF2, QAF3, QAF4, QAF5, QAF6, QAF7, QAF8, QAP2, QDA1, QDE1, QDF4, QDF6, QDW, QXA1, QXA3, QXA4, QXA6, QXB1, QXC4, QXE1, QXE3, QXF1, QXF3, QXF6, QYA4, QYF4, QYF6, QZX4, QZZ, SAE1, SAF1, TXF2, VAF4, VAF6, VXA1, VXA3, VXE1, VXE2, VXE4, VXE8, VXZ4, VYA1, VYA3, VZA1, VZA3, VZD, VZE1, VZE5, VZE7, VZE8, VZF1	
	14580-ZJ1-800	PIN E, DECOMPER (8.25) .....	2	-	-	2	-	QAB, QAF, QDF, QXA, QYA, QYF, VAF	
	14580-ZJ1-801	.....	2	-	-	-	-	QAB4, QAB6, QAC6, QAF1, QAF2, QAF3, QAF4, QAF5, QAF6, QAF7, QAF8, QAP2, QDA1, QDE1, QDF4, QDF6, QDW, QXA1, QXA3, QXA4, QXA6, QXB1, QXC4, QXE1, QXE3, QXF1, QXF3, QXF6, QYA4, QYF4, QYF6, QZX4, QZZ, SAE1, SAF1, TXF2, VAF4, VAF6, VXA1, VXA3, VXE1, VXE2, VXE4, VXE8, VXZ4, VYA1, VYA3, VZA1, VZA3, VZD, VZE1, VZE5, VZE7, VZE8, VZF1	
			-	-	-	2	-		
11	14581-ZJ1-801	ROD, DECOMPER .....	1	1	-	1	-		
12	14586-ZJ1-800	SPRING, DECOMPER PIN HOLDER ..	2	2	-	2	-		
13	14711-ZJ1-000	VALVE, IN. ....	2	2	-	-	-		
	14711-ZJ1-800	.....	-	-	-	2	-		
14	14721-ZJ1-000	VALVE, EX. ....	2	2	-	-	-		
	14721-ZJ1-800	VALVE, EX. (STELLITE) .....	-	-	-	2	-		
15	14751-ZE2-003	SPRING, VALVE .....	4	4	-	4	-		
16	14771-ZE2-000	RETAINER, IN. VALVE SPRING ..	4	4	-	4	-		
17	14775-ZE2-010	SEAT, VALVE SPRING .....	2	2	-	2	-		



E-9

CAMSHAFT(GX620)

G 2



Ref. No.	L.O.N.	(Relative ref. Number) Description	F.R.T.
+ 6		.NOTE: Same time for two units	
1111M0		LIFTER, VALVE :EXHAUST .....	1.2
13		.NOTE: Same time for two units	
1111T9		VALVE, INTAKE(ONE) :LEFT BANK	1.3
		.INCLUDES: Valve clearance adjustment and reface	
1111T9B		.Replace one head(intake and exhaust all) add .....	0.1
1111T9C		.Replace both heads (intake and exhaust all) add .....	0.3
1111U1		VALVE, INTAKE(ONE) :RIGHT BANK	1.3
		.INCLUDES: Valve clearance adjustment and reface	
1111U1B		.Replace one head(intake and exhaust all) add .....	0.1
1111U1C		.Replace both heads (intake and exhaust all) add .....	0.3
14		VALVE, EXHAUST(ONE) :LEFT BANK	1.3
		.INCLUDES: Valve clearance adjustment and reface	
1111U0B		.Replace one head(intake and exhaust all) add .....	0.1
1111U0C		.Replace both heads (intake and exhaust all) add .....	0.3

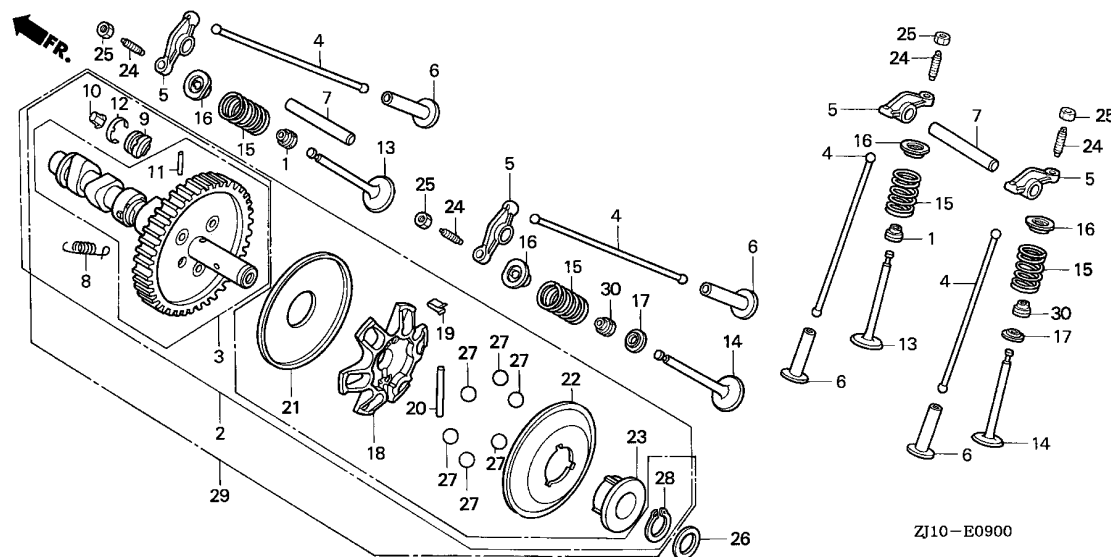
ZJ10-E0900

Ref. No.	Part No.	Description	Reqd. QTY					Serial No.	Parts catalogue code
			GX 620 (1)	GX 620 (2)	GX 620 K1 (1)	GX 620 (3)	GX 620 K1 (2)		
18	16512-ZJ1-000	HOLDER, GOVERNOR WEIGHT .....	1	-	-	-	-	-----	QAB, QAB4, QAB6, QAC6, QAF, QAF1, QAF2, QAF3, QAF4, QAF5, QAF6, QAF7, QAF8, QAP2, QDA1, QDE1, QDF, QDF4, QDF6, QDW, QXA, QXA1, QXA3, QXA4, QXA6, QXB1, QXC4, QXE1, QXE3, QXF1, QXF3, QXF6, QYA, QYA4, QYF, QYF4, QYF6, QZX4, SAE1, SAF1, TXF2, VAF, VAF4, VAF6, VXA1, VXA3, VXE1, VXE2, VXE4, VXE8, VXZ4, VYA1, VYA3, VZA1, VZA3, VZD, VZE1, VZE5, VZE7, VZE8, VZF1
19	16522-ZJ1-000	PLATE, GOVERNOR WEIGHT HOLDER	1	-	-	-	-	-----	QAB, QAB4, QAB6, QAC6, QAF, QAF1, QAF2, QAF3, QAF4, QAF5, QAF6, QAF7, QAF8, QAP2, QDA1, QDE1, QDF, QDF4, QDF6, QDW, QXA, QXA1, QXA3, QXA4, QXA6, QXB1, QXC4, QXE1, QXE3, QXF1, QXF3, QXF6, QYA, QYA4, QYF, QYF4, QYF6, QZX4, SAE1, SAF1, TXF2, VAF, VAF4, VAF6, VXA1, VXA3, VXE1, VXE2, VXE4, VXE8, VXZ4, VYA1, VYA3, VZA1, VZA3, VZD, VZE1, VZE5, VZE7, VZE8, VZF1
20	16523-ZJ1-000	PIN, GOVERNOR WEIGHT HOLDER -	1	-	-	-	-	-----	QAB, QAB4, QAB6, QAC6, QAF, QAF1, QAF2, QAF3, QAF4, QAF5, QAF6, QAF7, QAF8, QAP2, QDA1, QDE1, QDF, QDF4, QDF6, QDW, QXA, QXA1, QXA3, QXA4, QXA6, QXB1, QXC4, QXE1, QXE3, QXF1, QXF3, QXF6, QYA, QYA4, QYF, QYF4, QYF6, QZX4, SAE1, SAF1, TXF2, VAF, VAF4, VAF6, VXA1, VXA3, VXE1, VXE2, VXE4, VXE8, VXZ4, VYA1, VYA3, VZA1, VZA3, VZD, VZE1, VZE5, VZE7, VZE8, VZF1
			-	1	-	1	-		

2

E-9

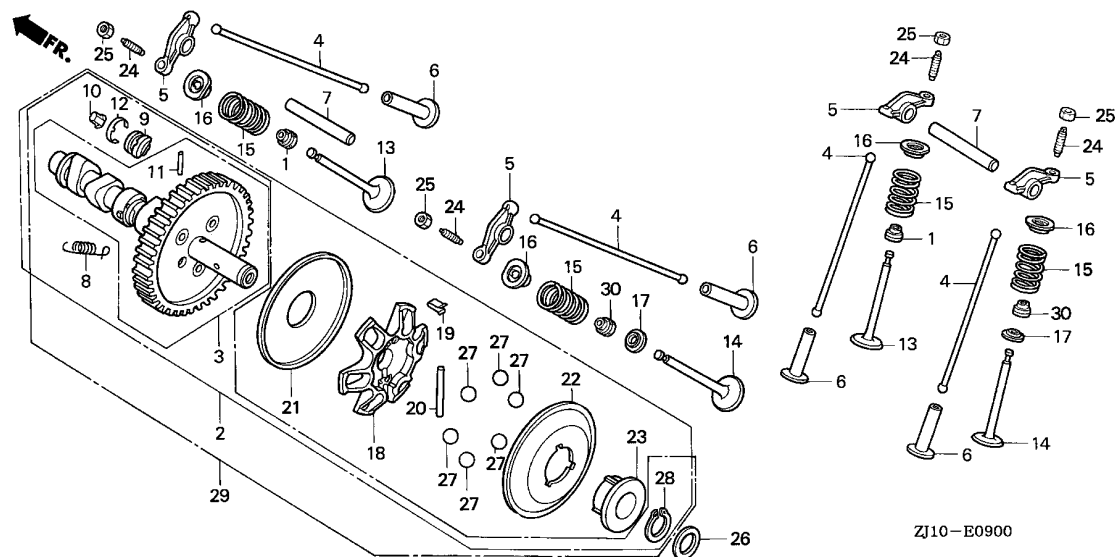
CAMSHAFT(GX620)



Ref. No.	L.O.N.	(Relative ref. Number) Description	F.R.T.
+14	1111U2	VALVE, EXHAUST(ONE) :RIGHT BANK .....	1.3
		.INCLUDES: Valve clearance adjustment and reface	
	1111U2B	.Replace one head(intake and exhaust all) add .....	0.1
	1111U2C	.Replace both heads (intake and exhaust all) add .....	0.3
15	1111V9	SPRING, VALVE(ONE) :INTAKE LEFT BANK .....	1.2
		.INCLUDES: Valve clearance adjustment	
	1111V9A	.Replace one head(intake and exhaust all) add .....	0.1
	1111V9B	.Replace both heads (intake and exhaust all) add .....	0.3
	1111W0	SPRING, VALVE(ONE) :INTAKE RIGHT BANK .....	1.2
		.INCLUDES: Valve clearance adjustment	
	1111W0A	.Replace one head(intake and exhaust all) add .....	0.1
	1111W0B	.Replace both heads (intake and exhaust all) add .....	0.3

Ref. No.	Part No.	Description	Reqd. QTY					Serial No.	Parts catalogue code
			GX 620 (1)	GX 620 (2)	GX 620 K1 (1)	GX 620 (3)	GX 620 K1 (2)		
21	16524-ZJ1-000	PLATE, GOVERNOR BOTTOM .....	1	-	-	-	-	QAB, QAB4, QAB6, QAC6, QAF, QAF1, QAF2, QAF3, QAF4, QAF5, QAF6, QAF7, QAF8, QAP2, QDA1, QDE1, QDF, QDF4, QDF6, QDW, QXA, QXA1, QXA3, QXA4, QXA6, QXB1, QXC4, QXE1, QXE3, QXF1, QXF3, QXF6, QYA, QYA4, QYF, QYF4, QYF6, QZX4, SAE1, SAF1, TXF2, VAF, VAF4, VAF6, VXA1, VXA3, VXE1, VXE2, VXE4, VXE8, VXZ4, VYA1, VYA3, VZA1, VZA3, VZD, VZE1, VZE5, VZE7, VZE8, VZF1	
22	16529-ZJ1-000	PLATE, GOVERNOR SLIDER .....	1	-	-	-	-	QAB, QAB4, QAB6, QAC6, QAF, QAF1, QAF2, QAF3, QAF4, QAF5, QAF6, QAF7, QAF8, QAP2, QDA1, QDE1, QDF, QDF4, QDF6, QDW, QXA, QXA1, QXA3, QXA4, QXA6, QXB1, QXC4, QXE1, QXE3, QXF1, QXF3, QXF6, QYA, QYA4, QYF, QYF4, QYF6, QZX4, SAE1, SAF1, TXF2, VAF, VAF4, VAF6, VXA1, VXA3, VXE1, VXE2, VXE4, VXE8, VXZ4, VYA1, VYA3, VZA1, VZA3, VZD, VZE1, VZE5, VZE7, VZE8, VZF1	
23	16531-ZJ1-003	SLIDER, GOVERNOR .....	1	-	-	-	-	QAB, QAB4, QAB6, QAC6, QAF, QAF1, QAF2, QAF3, QAF4, QAF5, QAF6, QAF7, QAF8, QAP2, QDA1, QDE1, QDF, QDF4, QDF6, QDW, QXA, QXA1, QXA3, QXA4, QXA6, QXB1, QXC4, QXE1, QXE3, QXF1, QXF3, QXF6, QYA, QYA4, QYF, QYF4, QYF6, QZX4, SAE1, SAF1, TXF2, VAF, VAF4, VAF6, VXA1, VXA3, VXE1, VXE2, VXE4, VXE8, VXZ4, VYA1, VYA3, VZA1, VZA3, VZD, VZE1, VZE5, VZE7, VZE8, VZF1	
24	90012-415-000	SCREW, TAPPET ADJUSTING .....	-	1	-	1	-		
25	90206-250-000	NUT, TAPPET ADJUSTING .....	4	4	-	4	-		
26	90446-357-000	WASHER, THRUST, 17.2MM .....	1	1	-	1	-		





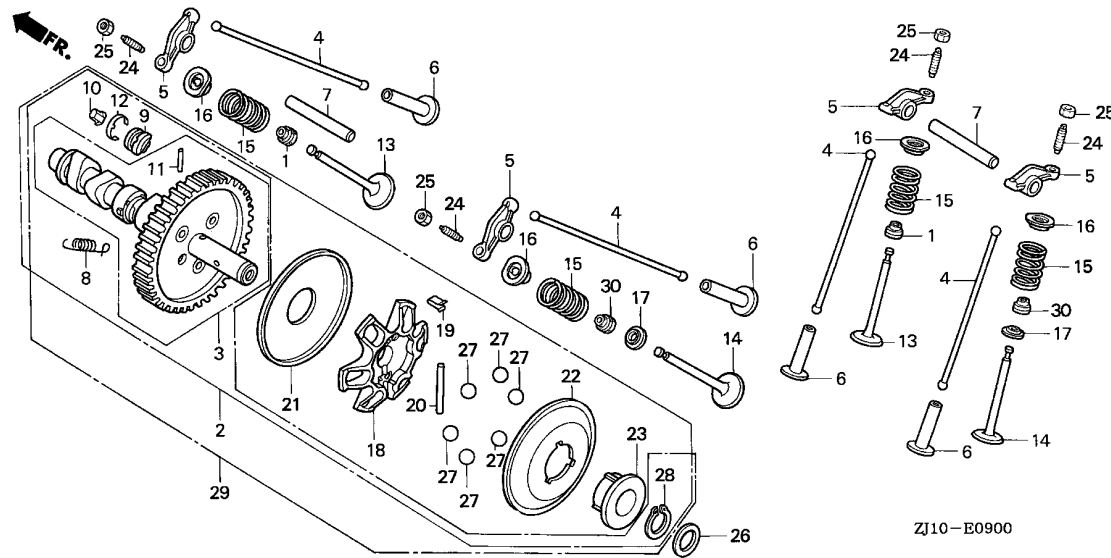
Ref. No.	L.O.N.	(Relative ref. Number) Description	F.R.T.
+15	1111W1	SPRING, VALVE(ONE) :EXHAUST LEFT BANK .....	1.2
		.INCLUDES: Valve clearance adjustment	
	1111W1A	.Replace one head(intake and exhaust all) add .....	0.1
	1111W1B	.Replace both heads (intake and exhaust all) add .....	0.3
	1111W2	SPRING, VALVE(ONE) :EXHAUST RIGHT BANK .....	1.2
		.INCLUDES: Valve clearance adjustment	
	1111W2A	.Replace one head(intake and exhaust all) add .....	0.1
	1111W2B	.Replace both heads (intake and exhaust all) add .....	0.3
	18	(21,22,23,27)	
	1161A7	HOLDER, GOVERNOR WEIGHT .....	1.3
	29	CAMSHAFT ASSEMBLY .....	1.2
	30	1111V1 SEAL, EXHAUST VALVE STEM(ONE) :LEFT BANK .....	1.3
		.INCLUDES: Valve clearance adjustment	
	1111V1B	.Replace one head(intake and exhaust all) add .....	0.1
	+		

Ref. No.	Part No.	Description	Reqd. QTY					Serial No.	Parts catalogue code	
			GX 620	GX 620	GX 620 K1	GX 620 (3)	GX 620 K1 (2)			
27	90901-ZJ1-003	BALL, STEEL, 18 .....	6	-	-	-	-	-----	QAB, QAB4, QAB6, QAC6, QAF, QAF1, QAF2, QAF3, QAF4, QAF5, QAF6, QAF7, QAF8, QAP2, QDA1, QDE1, QDF, QDF4, QDF6, QDW, QXA, QXA1, QXA3, QXA4, QXA6, QXB1, QXC4, QXE1, QXE3, QXF1, QXF3, QXF6, QYA, QYA4, QYF, QYF4, QYF6, QZX4, SAE1, SAF1, TXF2, VAF, VAF4, VAF6, VXA1, VXA3, VXE1, VXE2, VXE4, VXE8, VXZ4, VYA1, VYA3, VZA1, VZA3, VZD, VZE1, VZE5, VZE7, VZE8, VZF1	
28	94510-17000	CIRCLIP, EXTERNAL, 17MM .....	-	6	-	6	-	-----	QZZ	
29	14100-ZJ1-901	CAMSHAFT ASSY. ....	1	-	-	-	-	-----	VXE2	
30	12209-ZE8-003	SEAL, VALVE STEM .....	2	-	-	-	-	-----	VXE2	
								1081534	-----	QAB, QAB6, QAF, QAF1, QAF2, QAF3, QAF5, QAF6, QAF7, QAF8, QAP2, QDA1, QDE1, QDF, QDF4, QDF6, QXA, QXA1, QXA3, QXA4, QXA6, QXB1, QXC4, QXE1, QXF6, QYA, QYF, QYF4, QZX4, QZZ, SAE1, SAF1, TXF2, VAF, VAF4, VAF6, VXA1, VXA3, VXE1, VXE4, VXE8, VXZ4, VYA1, VYA3, VZA1, VZA3, VZE1, VZE5, VZE7, VZF1
								1000914	-----	QXAP, QXAU, VABP, VAFP

E-9

CAMSHAFT(GX620)

G 5

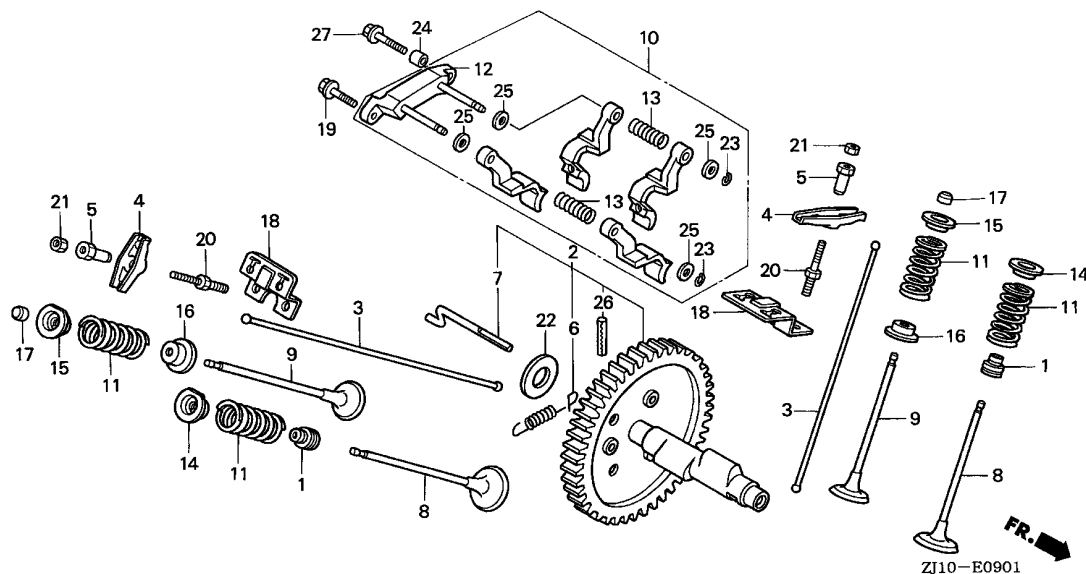


Ref. No.	L.O.N.	(Relative ref. Number) Description	F.R.T.
+30 1111V1C		.Replace both heads (intake and exhaust all) add	0.3
1111V2		SEAL, EXHAUST VALVE STEM(ONE) :RIGHT BANK .....	1.3
		.INCLUDES: Valve clearance adjustment	
1111V2B		.Replace one head(intake and exhaust all) add .....	0.1
1111V2C		.Replace both heads (intake and exhaust all) add	0.3

2

E-9-1

CAMSHAFT(GX620K1)



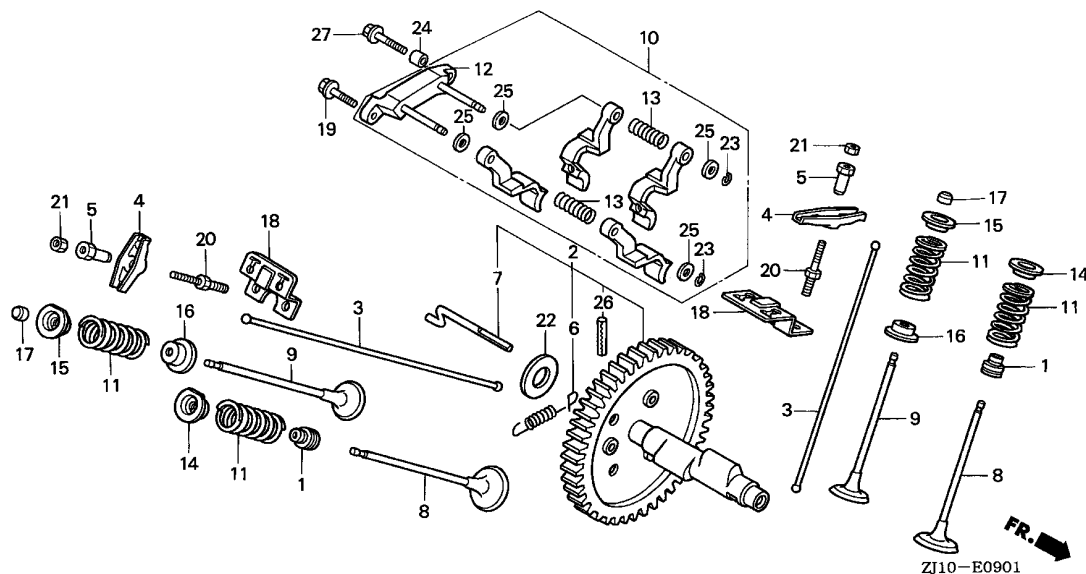
Ref. No.	L.O.N.	(Relative ref. Number) Description	F.R.T.
1	1111U9	SEAL, INTAKE VALVE STEM(ONE) :LEFT BANK .....	1.2
		.INCLUDES: Valve clearance adjustment	
	1111U9C	.Replace both heads (intake and exhaust all) add	0.1
	1111V0	SEAL, INTAKE VALVE STEM(ONE) :RIGHT BANK .....	1.2
		.INCLUDES: Valve clearance adjustment	
	1111V0C	.Replace both heads (intake and exhaust all) add	0.1
2	1111C2	CAMSHAFT .....	1.2
		.INCLUDES: Valve clearance adjustment	
3	1111X5	ROD, PUSH(ONE) :LEFT BANK INTAKE .....	1.3
		.INCLUDES: Valve clearance adjustment	
	1111X5B	.Replace one head(intake and exhaust all) add .....	0.1
	1111X5C	.Replace both heads (intake and exhaust all) add	0.3
	1111X6	ROD, PUSH(ONE) :RIGHT BANK INTAKE .....	1.3

2

Ref. No.	Part No.	Description	Reqd. QTY					Serial No.	Parts catalogue code
			GX 620	GX 620	GX 620	GX 620	GX 620		
1	12209-ZE8-003	SEAL, VALVE STEM .....	-	-	2	-	2		
2	14100-ZJ1-842	CAMSHAFT ASSY. ....	-	-	1	-	1		
3	14410-ZJ1-840	ROD, PUSH .....	-	-	4	-	4		
4	14431-ZE2-010	ARM, VALVE ROCKER .....	-	-	4	-	4		
5	14451-ZE1-013	PIVOT, ROCKER ARM .....	-	-	4	-	4		
6	14568-ZJ1-841	SPRING, WEIGHT RETURN .....	-	-	1	-	1		
7	14576-ZJ1-840	PIN, DECOMPER .....	-	-	1	-	1		
8	14711-ZE3-000	VALVE, IN. ....	-	-	2	-	2		
	14711-ZF6-F00	VALVE, IN. (GAS) .....	-	-	-	-	2		
	14721-ZE3-000	VALVE, EX. ....	-	-	2	-	-	----- QAB, QAB/A, QAB6, QAB6/A, QAD2, QAD2/A, QAF, QAF/A, QAF1, QAF1/A, QAF2, QAF2/A, QAF5, QAF5/A, QAF6, QAF6/A, QAF7, QAF7/A, QAF8, QAF8/A, QAF9, QAF9/A, QAX1, QAX1/A, QDF, QDF/A, QDF6, QDF6/A, QDP2, QDP2/A, QDW, QDW/A, QWA6, QWA6/A, QWF6, QWF6/A, QXA, QXA/A, QXA3, QXA3/A, QXA6, QXA6/A, QXB1, QXB1/A, QXC2, QXC2/A, QXE1, QXE1/A, QXE4, QXE4/A, QXE5, QXE5/A, QXE7, QXE7/A, QXE8, QXE8/A, QXF, QXF/A, QXF3, QXF4, QXF4/A, QXF6, QXF6/A, QXF8, QXF8/A, QXW2, QXW2/A, QXW4, QXW4/A, QYA, QYA/A, QYD, QYD/A, QYF, QYF/A, QZB, QZB/A, QZB2, QZB2/A, QZB3, QZB3/A, QZE3, QZE3/A, QZE4, QZE4/A, QZF1, QZF1/A, QZF2, QZF2/A, QZF8, QZF8/A, QZX1, QZX1/A, QZX4, QZX4/A, QZX5, QZX5/A, SAE1, SAE1/A, SAF1, SAF1/A, SYA, SYA/A, TXF2, TXF2/A, VAB2, VAB2/A, VAB3, VAB3/A, VAF, VAF/A, VAF6, VAF6/A, VDB2, VDB2/A, VDC2, VDC2/A, VEP4, VEP4/A, VXA1, VXA1/A, VXA4, VXA4/A, VXA5, VXA5/A, VXA6, VXA6/A, VXD4, VXD4/A, VXE1, VXE1/A, VXE2, VXE2/A, VXE4, VXE4/A, VXE8, VXE8/A, VXF, VXF/A, VXF4, VXF4/A, VXP2, VXP2/A, VXZ4, VXZ4/A, VYA1, VYA3, VYA3/A, VYE3, VYE3/A, VZA1, VZE7, VZE7/A, VZE8, VZE8/A, QZD, QZD/A	
	14721-ZE3-810	VALVE, EX. (STELITE) .....	-	-	2	-	-	-----	
	14721-ZF6-F00	VALVE, EX. (GAS) .....	-	-	-	-	2	-----	

E-9-1

CAMSHAFT(GX620K1)



Ref. No.	L.O.N.	(Relative ref. Number) Description	F.R.T.
+ 3		.INCLUDES: Valve clearance adjustment	
1111X6B		.Replace one head(intake and exhaust all) add .....	0.1
1111X6C		.Replace both heads (intake and exhaust all) add .....	0.3
1111X7		ROD, PUSH(ONE) :LEFT BANK EXHAUST .....	1.3
		.INCLUDES: Valve clearance adjustment	
1111X7B		.Replace one head(intake and exhaust all) add .....	0.1
1111X7C		.Replace both heads (intake and exhaust all) add .....	0.3
1111X8		ROD, PUSH(ONE) :RIGHT BANK EXHAUST .....	1.3
		.INCLUDES: Valve clearance adjustment	
1111X8B		.Replace one head(intake and exhaust all) add .....	0.1
1111X8C		.Replace both heads (intake and exhaust all) add .....	0.3
4 1111T1		ARM, ROCKER :LEFT BANK INTAKE .INCLUDES: Valve clearance adjustment	0.3

Ref. No.	Part No.	Description	Reqd. QTY					Serial No.	Parts catalogue code
			GX 620	GX 620	GX 620 K1	GX 620 (3)	GX 620 K1 (2)		
10	14730-ZJ1-841	LIFTER ASSY., VALVE .....	-	-	1	-	1		
11	14751-ZE2-003	SPRING, VALVE .....	-	-	4	-	4		
12	14760-ZJ1-840	SHAFT COMP., VALVE LIFTER ...	-	-	1	-	1		
13	14764-ZJ1-840	SPRING, VALVE LIFTER .....	-	-	2	-	2		
14	14771-ZE2-000	RETAINER, IN. VALVE SPRING ..	-	-	2	-	2		
15	14773-ZE2-000	RETAINER, EX. VALVE SPRING ..	-	-	2	-	-		
	14771-ZE2-000	RETAINER, IN. VALVE SPRING .. (EXHAUST SIDE)	-	-	-	-	2		
16	14775-ZE2-010	SEAT, VALVE SPRING .....	-	-	2	-	2		
17	14781-ZE2-000	ROTATOR, VALVE .....	-	-	2	-	-		
			-	-	-	-	2	----- VXC,VXC/A,VXC2,VXC2/A	
18	14791-ZE2-010	PLATE, PUSH ROD GUIDE .....	-	-	2	-	2		
19	90005-896-000	BOLT, FLANGE, 5X16 .....	-	-	1	-	1		
20	90012-ZE0-010	BOLT, PIVOT, 8MM .....	-	-	4	-	4		
21	90206-ZE1-000	NUT, PIVOT ADJUSTING .....	-	-	4	-	4		
22	90446-357-000	WASHER, THRUST, 17.2MM .....	-	-	1	-	1		
23	90602-ZE1-000	CLIP, GOVERNOR HOLDER .....	-	-	2	-	2		
24	90702-GB6-910	DOWEL PIN, 8X12 .....	-	-	1	-	1		
25	94101-06800	WASHER, PLAIN, 6MM .....	-	-	4	-	4		
26	94305-60282	PIN, SPRING, 6X28 .....	-	-	1	-	1		
27	95701-06025-00	BOLT, FLANGE, 6X25 .....	-	-	1	-	1		

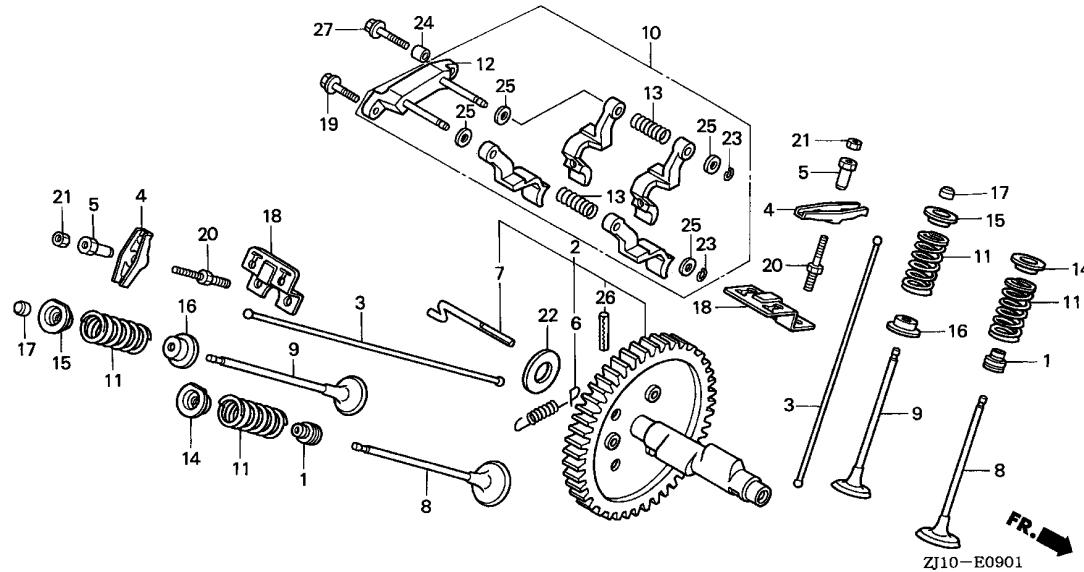




E-9-1

CAMSHAFT(GX620K1)

G 8



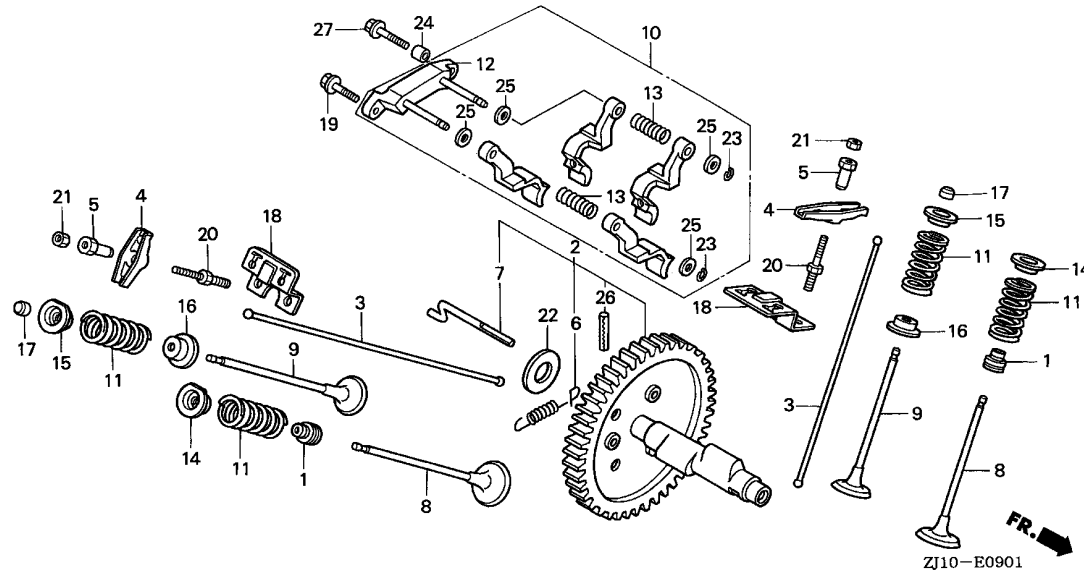
Ref. No.	L.O.N.	(Relative ref. Number) Description	F.R.T.
+ 4	1111T1B	.Replace both heads (intake and exhaust all) add	0.3
	1111U3	ARM, ROCKER :LEFT BANK EXHAUST .INCLUDES: Valve clearance adjustment	0.3
	1111U3B	.Replace both heads (intake and exhaust all) add	0.3
	1111T2	ARM, ROCKER :RIGHT BANK INTAKE .INCLUDES: Valve clearance adjustment	0.3
	1111T2B	.Replace both heads (intake and exhaust all) add	0.3
	1111U4	ARM, ROCKER :RIGHT BANK EXHAUST ..... .INCLUDES: Valve clearance adjustment	0.3
	1111U4B	.Replace both heads (intake and exhaust all) add	0.3
8	1111T9	VALVE, INTAKE(ONE) :LEFT BANK .INCLUDES: Valve clearance adjustment and reface	1.3
	1111T9B	.Replace one head(intake and exhaust all) add .....	0.1
	1111T9C	.Replace both heads (intake and exhaust all) add	0.3

2

E-9-1

CAMSHAFT(GX620K1)

G 9



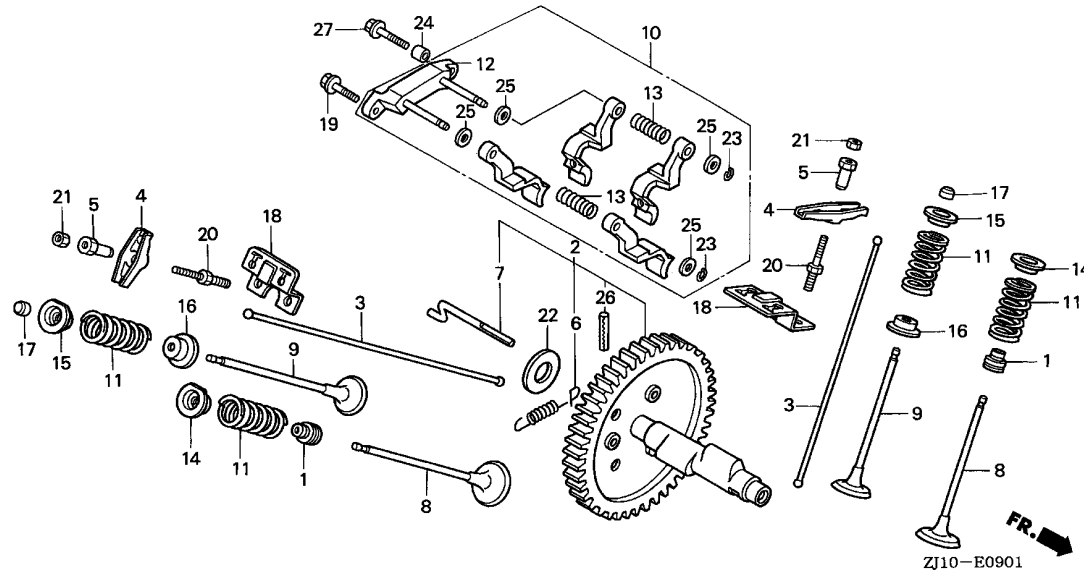
Ref. No.	L.O.N.	(Relative ref. Number) Description	F.R.T.
+ 8	1111U1	VALVE, INTAKE(ONE) :RIGHT BANK .INCLUDES: Valve clearance adjustment and reface	1.3
	1111U1B	.Replace one head(intake and exhaust all) add .....	0.1
	1111U1C	.Replace both heads (intake and exhaust all) add .....	0.3
9	1111U0	VALVE, EXHAUST(ONE) :LEFT BANK .INCLUDES: Valve clearance adjustment and reface	1.3
	1111U0B	.Replace one head(intake and exhaust all) add .....	0.1
	1111U0C	.Replace both heads (intake and exhaust all) add .....	0.3
	1111U2	VALVE, EXHAUST(ONE) :RIGHT BANK .INCLUDES: Valve clearance adjustment and reface	1.3
	1111U2B	.Replace one head(intake and exhaust all) add .....	0.1
	1111U2C	.Replace both heads (intake and exhaust all) add .....	0.3
10	1111F7	LIFTER, VALVE .....	0.4
11	1111V9	SPRING, VALVE(ONE) :INTAKE LEFT BANK .....	1.2

2

E-9-1

CAMSHAFT(GX620K1)

G10

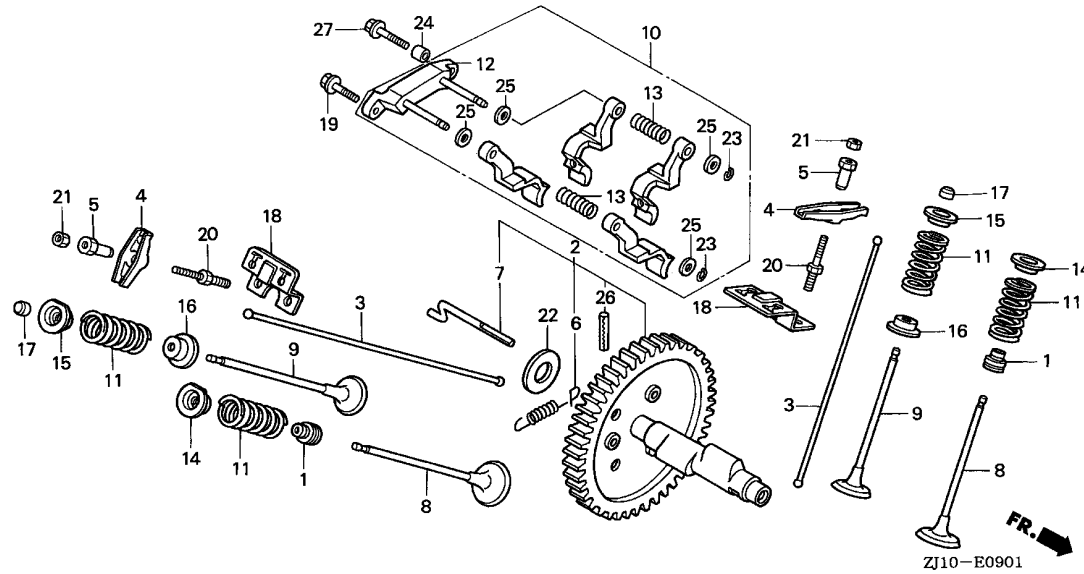


Ref. No.	L.O.N.	(Relative ref. Number) Description	F.R.T.
+11		.INCLUDES: Valve clearance adjustment	
1111V9A		.Replace one head(intake and exhaust all) add .....	0.1
1111V9B		.Replace both heads (intake and exhaust all) add .....	0.3
1111W0		SPRING, VALVE(ONE) :INTAKE RIGHT BANK .....	1.2
		.INCLUDES: Valve clearance adjustment	
1111W0A		.Replace one head(intake and exhaust all) add .....	0.1
1111W0B		.Replace both heads (intake and exhaust all) add .....	0.3
1111W1		SPRING, VALVE(ONE) :EXHAUST LEFT BANK .....	1.2
		.INCLUDES: Valve clearance adjustment	
1111W1A		.Replace one head(intake and exhaust all) add .....	0.1
1111W1B		.Replace both heads (intake and exhaust all) add .....	0.3
1111W2		SPRING, VALVE(ONE) :EXHAUST RIGHT BANK .....	1.2

E-9-1

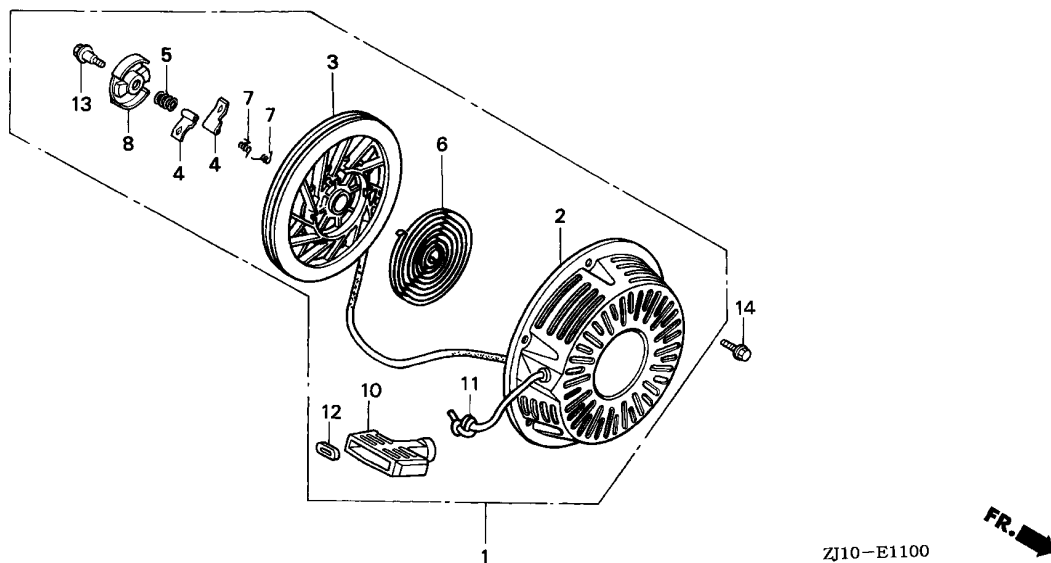
CAMSHAFT(GX620K1)

G11



Ref. No.	L.O.N.	(Relative ref. Number) Description	F.R.T.
+11		.INCLUDES: Valve clearance adjustment	
1111W2A		.Replace one head(intake and exhaust all) add .....	0.1
1111W2B		.Replace both heads (intake and exhaust all) add	0.3
12	1111P2	SHAFT, VALVE LIFTER .....	0.4
17	1111X9	ROTATOR, VALVE :LEFT BANK ....	0.3
	1111Y1	ROTATOR, VALVE :RIGHT BANK ...	0.3

2



Ref. No.	L.O.N.	(Relative ref. Number) Description	F.R.T.
1	1121B9	STARTER, RECOIL .....	0.1
3	1121B1	REEL, RECOIL STARTER .....	0.4
4	1121B0	RATCHET, STARTER AND/OR SPRING, RATCHET .....	0.2
6	1121B7	SPRING, RECOIL STARTER RETURN .....	0.4
10	1121A3	GRIP, RECOIL STARTER .....	0.1
11	1121B3	ROPE, RECOIL STARTER .....	0.4

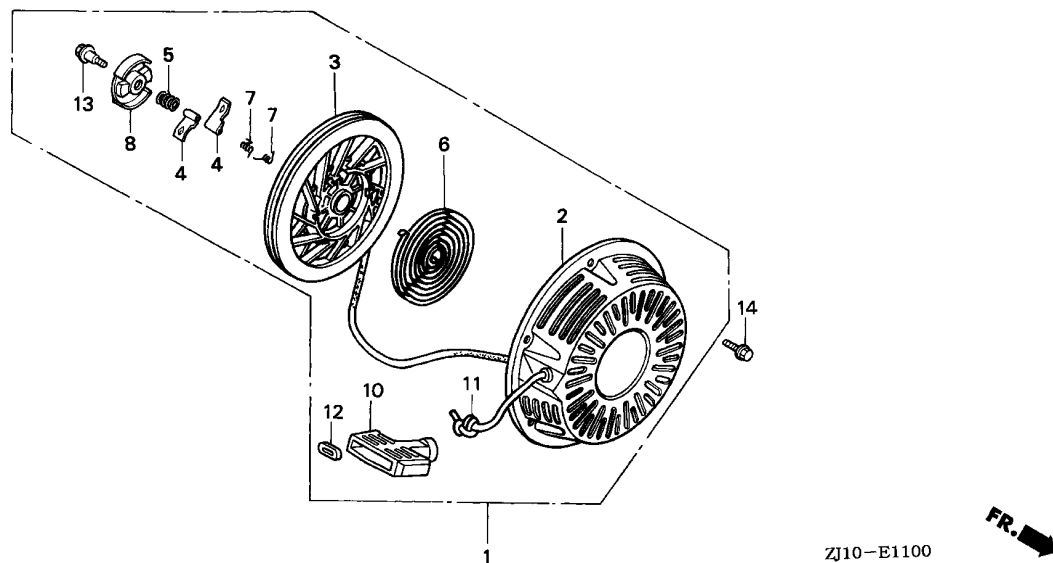
ZJ10-E1100



Ref. No.	Part No.	Description	Reqd. QTY					Serial No.	Parts catalogue code
			GX 620 (1)	GX 620 (2)	GX 620 K1 (1)	GX 620 (3)	GX 620 K1 (2)		
1	28400-ZE3-W01ZA	STARTER ASSY., RECOIL *R8*.....BRIGHT RED	1	-	1	-	-	-----	QXE8,QXF8,QZB,QZB2,QZB3,QZD,QZE3,QZE4,QZF1,QZF2,QZX4,QZX5 QZZ,VXA6,VXD4,VYA1,VZA1,VZA3,VZD,VZE1,VZE5,VZF1 VYA3,VZE7,VZE8
			1	-	-	-	-	-----	VXE4
			-	-	1	-	-	-----	2060129 VYA3
	28400-ZE3-W01ZB	*NH1*.....BLACK	1	-	1	-	-	-----	QZB,QZB/A,QZE3,QZE3/A,QZE4,QZE4/A,QZF1,QZF1/A,QZF2,QZF2/A QZX4/A,VXD4,VXD4/A,VXE4,VXE4/A,VXZ4,VXZ4/A,VYA3/A,VZA3 QZX4,VYA1,VYA3,VZA1
	28400-ZE3-W01ZP	*R280*.....POWER RED	-	-	1	-	-	-----	QAX1,QAX1/A,QXE8/A,QXF8/A,QZB/A,QZB2/A,QZB3/A,QZD/A,QZE3/A QZE4/A,QZF1/A,QZF2/A,QZF8,QZF8/A,QZX1,QZX1/A,QZX4/A,QZX5/A VEP4,VEP4/A,VXA6/A,VXD4/A,VXE4/A,VYA3/A,VYE3,VYE3/A
			-	-	1	-	-	-----	2060130 VYA3
2	28410-ZE3-W01ZA	CASE COMP., RECOIL STARTER *R8*.....BRIGHT RED	1	-	1	-	-	-----	QXE8,QXF8,QZB,QZB2,QZB3,QZD,QZE3,QZE4,QZF1,QZF2,QZX4,QZX5 QZZ,VXA6,VXD4,VYA1,VZA1,VZA3,VZD,VZE1,VZE5,VZF1 VYA3,VZE7,VZE8
			1	-	-	-	-	-----	VXE4
			-	-	1	-	-	-----	2060129 VYA3
	28410-ZE3-W01ZB	*NH1*.....BLACK	1	-	1	-	-	-----	QZB,QZB/A,QZE3,QZE3/A,QZE4,QZE4/A,QZF1,QZF1/A,QZF2,QZF2/A QZX4/A,VXD4,VXD4/A,VXE4,VXE4/A,VXZ4,VXZ4/A,VYA3/A,VZA3 QZX4,VYA1,VYA3,VZA1
	28410-ZE3-W01ZP	*R280*.....POWER RED	-	-	1	-	-	-----	QAX1,QAX1/A,QXE8/A,QXF8/A,QZB/A,QZB2/A,QZB3/A,QZD/A,QZE3/A QZE4/A,QZF1/A,QZF2/A,QZF8,QZF8/A,QZX1,QZX1/A,QZX4/A,QZX5/A VEP4,VEP4/A,VXA6/A,VXD4/A,VXE4/A,VYA3/A,VYE3,VYE3/A
			-	-	1	-	-	-----	2060130 VYA3

Ref. No.	Part No.	Description	Reqd. QTY					Serial No.	Parts catalogue code
			GX 620	GX 620	GX 620 K1	GX 620	GX 620 K1		
			(1)	(2)	(1)	(3)	(2)		
3	28421-ZE3-W01	PULLEY, RECOIL STARTER .....	1	-	1	-	-	QAX1, QAX1/A, QXE8, QXE8/A, QXF8, QXF8/A, QZB, QZB/A, QZB2, QZB2/A, QZB3, QZB3/A, QZD, QZD/A, QZE3, QZE3/A, QZE4, QZE4/A, QZF1, QZF1/A, QZF2, QZF2/A, QZF8, QZF8/A, QZX1, QZX1/A, QZX4, QZX4/A, QZX5, QZX5/A, QZZ, VEP4, VEP4/A, VXA6, VXA6/A, VXD4, VXD4/A, VXE4, VXE4/A, VXZ4, VXZ4/A, VYA1, VYA3, VYA3/A, VYE3, VYE3/A, VZA1, VZA3, VZD, VZE1, VZE5, VZF1, VZE7, VZE8	
4	28422-ZE2-W01	RATCHET, STARTER .....	1	-	-	-	-	QAX1, QAX1/A, QXE8, QXE8/A, QXF8, QXF8/A, QZB, QZB/A, QZB2, QZB2/A, QZB3, QZB3/A, QZD, QZD/A, QZE3, QZE3/A, QZE4, QZE4/A, QZF1, QZF1/A, QZF2, QZF2/A, QZF8, QZF8/A, QZX1, QZX1/A, QZX4, QZX4/A, QZX5, QZX5/A, QZZ, VEP4, VEP4/A, VXA6, VXA6/A, VXD4, VXD4/A, VXE4, VXE4/A, VXZ4, VXZ4/A, VYA1, VYA3, VYA3/A, VYE3, VYE3/A, VZA1, VZA3, VZD, VZE1, VZE5, VZF1, VZE7, VZE8	
5	28441-ZE2-W01	SPRING, FRICTION .....	2	-	-	-	-	QAX1, QAX1/A, QXE8, QXE8/A, QXF8, QXF8/A, QZB, QZB/A, QZB2, QZB2/A, QZB3, QZB3/A, QZD, QZD/A, QZE3, QZE3/A, QZE4, QZE4/A, QZF1, QZF1/A, QZF2, QZF2/A, QZF8, QZF8/A, QZX1, QZX1/A, QZX4, QZX4/A, QZX5, QZX5/A, QZZ, VEP4, VEP4/A, VXA6, VXA6/A, VXD4, VXD4/A, VXE4, VXE4/A, VXZ4, VXZ4/A, VYA1, VYA3, VYA3/A, VYE3, VYE3/A, VZA1, VZA3, VZD, VZE1, VZE5, VZF1, VZE7, VZE8	
6	28442-ZE2-W01	SPRING, STARTER RETURN .....	1	-	-	-	-	QAX1, QAX1/A, QXE8, QXE8/A, QXF8, QXF8/A, QZB, QZB/A, QZB2, QZB2/A, QZB3, QZB3/A, QZD, QZD/A, QZE3, QZE3/A, QZE4, QZE4/A, QZF1, QZF1/A, QZF2, QZF2/A, QZF8, QZF8/A, QZX1, QZX1/A, QZX4, QZX4/A, QZX5, QZX5/A, QZZ, VEP4, VEP4/A, VXA6, VXA6/A, VXD4, VXD4/A, VXE4, VXE4/A, VXZ4, VXZ4/A, VYA1, VYA3, VYA3/A, VYE3, VYE3/A, VZA1, VZA3, VZD, VZE1, VZE5, VZF1, VZE7, VZE8	
7	28443-ZE2-W01	SPRING, RATCHET .....	1	-	-	-	-	QAX1, QAX1/A, QXE8, QXE8/A, QXF8, QXF8/A, QZB, QZB/A, QZB2, QZB2/A, QZB3, QZB3/A, QZD, QZD/A, QZE3, QZE3/A, QZE4, QZE4/A, QZF1, QZF1/A, QZF2, QZF2/A, QZF8, QZF8/A, QZX1, QZX1/A, QZX4, QZX4/A, QZX5, QZX5/A, QZZ, VEP4, VEP4/A, VXA6, VXA6/A, VXD4, VXD4/A, VXE4, VXE4/A, VXZ4, VXZ4/A, VYA1, VYA3, VYA3/A, VYE3, VYE3/A, VZA1, VZA3, VZD, VZE1, VZE5, VZF1, VZE7, VZE8	
8	28444-ZE2-W01	RETAINER, SPRING .....	2	-	-	-	-	QAX1, QAX1/A, QXE8, QXE8/A, QXF8, QXF8/A, QZB, QZB/A, QZB2, QZB2/A, QZB3, QZB3/A, QZD, QZD/A, QZE3, QZE3/A, QZE4, QZE4/A, QZF1, QZF1/A, QZF2, QZF2/A, QZF8, QZF8/A, QZX1, QZX1/A, QZX4, QZX4/A, QZX5, QZX5/A, QZZ, VEP4, VEP4/A, VXA6, VXA6/A, VXD4, VXD4/A, VXE4, VXE4/A, VXZ4, VXZ4/A, VYA1, VYA3, VYA3/A, VYE3, VYE3/A, VZA1, VZA3, VZD, VZE1, VZE5, VZF1, VZE7, VZE8	
10	28461-ZE2-W01	GRIP, STARTER .....	1	-	-	-	-	VYA1, VYA3	
	28461-ZE2-W02	.....	1	-	-	-	-	1052484 QZX4, QZZ, VXE4, VXZ4, VZA1, VZA3, VZD, VZE1, VZE5, VZE7, VZE8, VZF1	
			-	-	1	-	-	1052485 QZX4, QZZ, VXE4, VXZ4, VZA1, VZA3, VZD, VZE1, VZE5, VZE7, VZE8, VZF1	
								QAX1, QAX1/A, QXE8, QXE8/A, QXF8, QXF8/A, QZB, QZB/A, QZB2, QZB2/A, QZB3, QZB3/A, QZD, QZD/A, QZE3, QZE3/A, QZE4, QZE4/A, QZF1, QZF1/A, QZF2, QZF2/A, QZF8, QZF8/A, QZX1, QZX1/A, QZX4, QZX4/A, QZX5, QZX5/A, VEP4, VEP4/A, VXA6, VXA6/A, VXD4, VXD4/A, VXE4, VXE4/A, VXZ4, VXZ4/A, VYA1, VYA3, VYA3/A, VYE3, VYE3/A, VZA1	

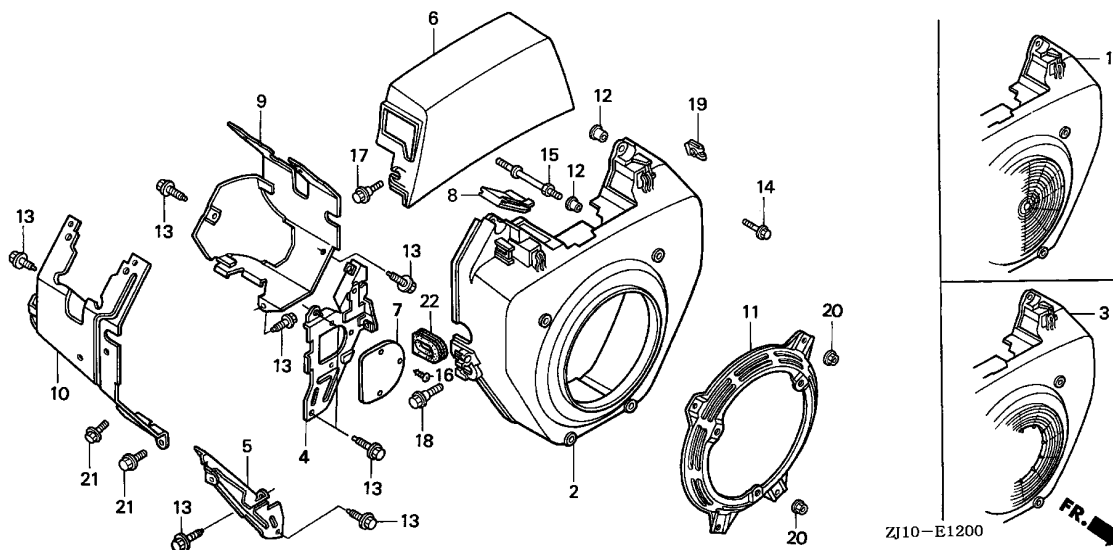




ZJ10-E1100



Ref. No.	Part No.	Description	Reqd. QTY					Serial No.	Parts catalogue code
			GX 620 (1)	GX 620 (2)	GX 620 K1 (1)	GX 620 (3)	GX 620 K1 (2)		
11	28462-ZE3-W01	ROPE, RECOIL STARTER .....	1	-	1	-	-	QAX1, QAX1/A, QXE8, QXE8/A, QXF8, QXF8/A, QZB, QZB/A, QZB2, QZB2/A, QZB3, QZB3/A, QZD, QZD/A, QZE3, QZE3/A, QZE4, QZE4/A, QZF1, QZF1/A, QZF2, QZF2/A, QZF8, QZF8/A, QZX1, QZX1/A, QZX4, QZX4/A, QZX5, QZX5/A, QZZ, VEP4, VEP4/A, VXA6, VXA6/A, VXD4, VXD4/A, VXE4, VXE4/A, VXZ4, VXZ4/A, VYA1, VYA3, VYA3/A, VYE3, VYE3/A, VZA1, VZA3, VZD, VZE1, VZE5, VZF1, VZE7, VZE8	
12	28469-ZE2-W01	GRIP, REINFORCEMENT .....	1	-	-	-	-	1052484 QZX4, QZZ, VXE4, VXZ4, VZA1, VZA3, VZD, VZE1, VZE5, VZE7, VZE8, VZF1	
13	90004-ZE2-W01	SCREW, CENTER .....	1	-	1	-	-	QAX1, QAX1/A, QXE8, QXE8/A, QXF8, QXF8/A, QZB, QZB/A, QZB2, QZB2/A, QZB3, QZB3/A, QZD, QZD/A, QZE3, QZE3/A, QZE4, QZE4/A, QZF1, QZF1/A, QZF2, QZF2/A, QZF8, QZF8/A, QZX1, QZX1/A, QZX4, QZX4/A, QZX5, QZX5/A, QZZ, VEP4, VEP4/A, VXA6, VXA6/A, VXD4, VXD4/A, VXE4, VXE4/A, VXZ4, VXZ4/A, VYA1, VYA3, VYA3/A, VYE3, VYE3/A, VZA1, VZA3, VZD, VZE1, VZE5, VZF1, VZE7, VZE8	
14	95701-06008-00	BOLT, FLANGE, 6X8 .....	1	-	-	-	-	QAX1, QAX1/A, QXE8, QXE8/A, QXF8, QXF8/A, QZB, QZB/A, QZB2, QZB2/A, QZB3, QZB3/A, QZD, QZD/A, QZE3, QZE3/A, QZE4, QZE4/A, QZF1, QZF1/A, QZF2, QZF2/A, QZF8, QZF8/A, QZX1, QZX1/A, QZX4, QZX4/A, QZX5, QZX5/A, QZZ, VEP4, VEP4/A, VXA6, VXA6/A, VXD4, VXD4/A, VXE4, VXE4/A, VXZ4, VXZ4/A, VYA1, VYA3, VYA3/A, VYE3, VYE3/A, VZA1, VZA3, VZD, VZE1, VZE5, VZF1, VZE7, VZE8	

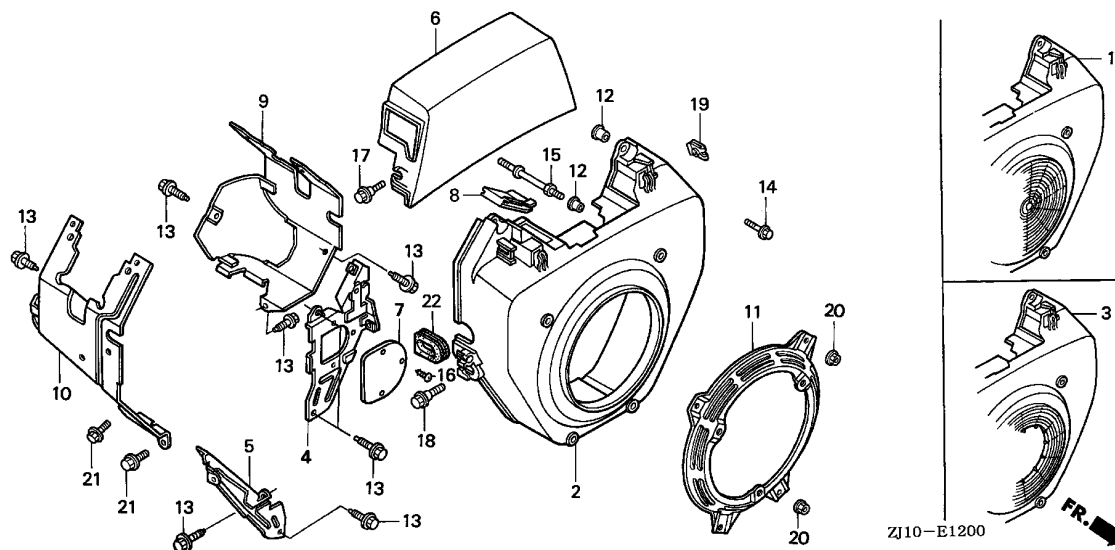


Ref. No.	L.O.N.	(Relative ref. Number) Description	F.R.T.
2		(1,3)	
	1141G8	COVER, ENGINE COOLING FAN	0.4
4	1121A5	PLATE, SIDE :LEFT	0.8
5	1121A6	PLATE, SIDE :RIGHT	0.4
6	4141C6	HOOD, FAN COVER	0.1
9	4141D9	SHROUD, ENGINE :LEFT	0.7
10	4141E1	SHROUD, ENGINE :RIGHT	0.6
11	1121B5	SPACER, RECOIL STARTER MOUNTING	0.1

Ref. No.	Part No.	Description	Reqd. QTY					Serial No.	Parts catalogue code
			GX 620 (1)	GX 620 (2)	GX 620 K1 (1)	GX 620 (3)	GX 620 K1 (2)		
1	19611-ZJ1-000ZA	COVER, FAN *NH246*.....LOOSEY GRAY	1	-	-	-	-	-----	QAB,QDF,QXA,VAF
	19611-ZJ1-000ZB	*R8*.....BRIGHT RED	1	-	-	1	-	-----	QAB,QAB4,QAB6,QAF1,QAF2,QAF3,QAF5,QAF6,QAP2,QDA1,QDE1,QDF4,QDF6,QXA,QXAP,QXA1,QXA3,QXA4,QXA6,QXB1,QXC4,QXE1,QXE3,QXF1,QXF3,QXF6,SAE1,SAF1,TFX2,VAF,VAFP,VAF4,VAF6,VXAP,VXA1,VXA3,VXE1,VXE2
	19611-ZJ1-000ZC	*NH1*.....BLACK	1	(1)	-	-	-	-----	QAB4,QAB6,QAF2,QAP2,QDF4,QDF6,QDW,QXA4,QXA6,QXB1,VABP,VAF4,VAF6,VXE8
	19611-ZJ1-820ZA	*NH1*.....BLACK	-	-	-	1	-	-----	QXAU,VAFU,VXAU
2	19611-ZJ1-800ZA	COVER, FAN (RECOIL STARTER) *NH246*.....LOOSEY GRAY	1	-	-	-	-	-----	QYA,QYF
	19611-ZJ1-800ZB	*R8*.....BRIGHT RED	1	-	-	-	-	-----	QYA,QYA4,QYF,QYF4,QYF6,QZX4,QZZ,VYA1,VYA3,VZA1,VZA3,VZE1,VZE5,VZE7,VZE8,VZF1
	19611-ZJ1-800ZC	*NH1*.....BLACK	1	(1)	-	-	-	-----	QYA4,QYF4,QYF6,VXE4,VXZ4,VZA3
3	19611-ZJ1-810ZA	COVER, FAN (P.T.O.) *NH246*.....LOOSEY GRAY	1	-	-	-	-	-----	QAF
	19611-ZJ1-810ZB	*R8*.....BRIGHT RED	1	-	-	1	-	-----	QAC6,QAF,QAFP,QAF4,QAF7,QAF8
	19611-ZJ1-810ZC	*NH1*.....BLACK	1	(1)	-	-	-	-----	QAC6,QAF4
	19611-ZJ1-830ZA	*NH1*.....BLACK	-	-	-	1	-	-----	QAFU
4	19612-ZJ1-000	PLATE, SIDE	1	1	-	1	-		
5	19614-ZJ1-000	PLATE, SIDE	1	1	-	1	-		







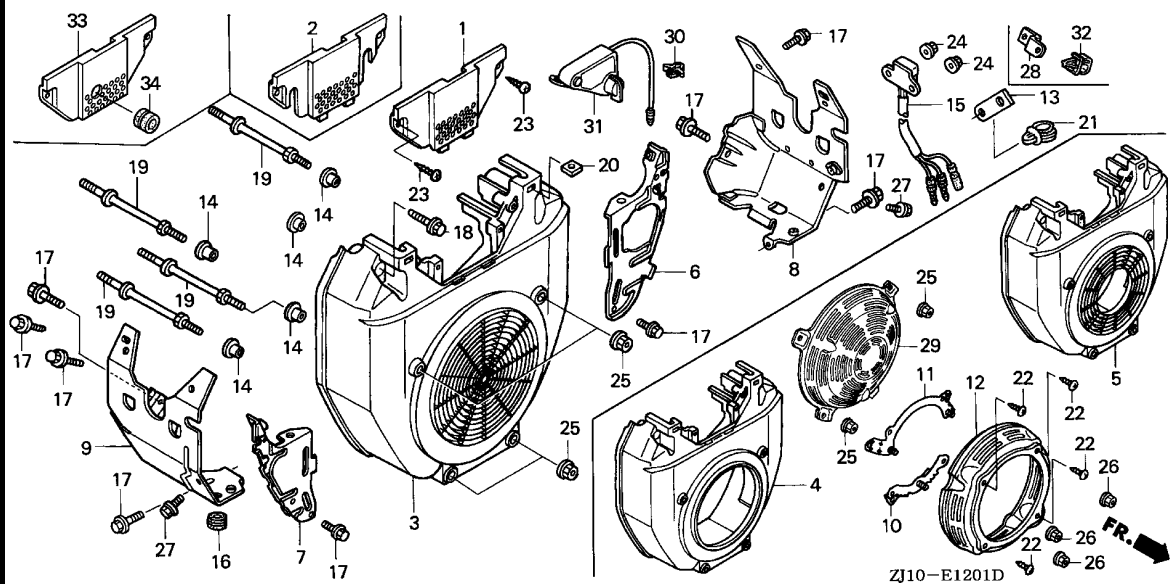
Ref. No.	Part No.	Description	Reqd. QTY					Serial No.	Parts catalogue code
			GX 620 (1)	GX 620 (2)	GX 620 K1 (1)	GX 620 (3)	GX 620 K1 (2)		
6	19615-ZJ1-000	HOOD, FAN COVER	1	-	-	-	-	QAB, QAB4, QAB6, QAC6, QAF, QAF1, QAF3, QAF4, QAF5, QAF6, QAF7, QAF8, QDA1, QDE1, QDF, QDF4, QDF6, QDW, QXA, QXA1, QXA3, QXA4, QXA6, QXB1, QXC4, QXE1, QXE3, QXF3, QXF6, QYA, QYA4, QYF, QYF4, QYF6, QZX4, SAE1, SAF1, VAF, VAF4, VAF6, VXA1, VXA3, VXE1, VXE2, VXE4, VXE8, VXZ4, VYA1, VYA3, VZA1, VZA3, VZD, VZE1, VZE5, VZE7, VZE8, VZF1	
			1	-	-	-	-	1008423 QXF1	
	19615-ZJ1-800		-	1	-	-	-	QAFP, QXAP, VABP, VAFP, VXAP	
	19615-ZJ1-820		-	-	1	-	-	QAFU, QXAU, VAFU, VXAU	
	19615-ZJ0-U60		1	-	-	-	-	QAP2	
			1	-	-	-	-	1013722 TXF2	
	19615-ZJ0-U70		1	-	-	-	1008424	1013722 QXF1	
			1	-	-	-	-	QAF2	
			1	-	-	-	1013723	QXF1, TXF2	
7	19617-ZJ4-000	COVER, R. SIDE PLATE	1	-	-	-	-	QZX4, QZZ, VXZ4	
8	19618-ZJ0-U70	PLUG, FAN COVER HOLE	1	-	-	-	-	QAF2, QAP2, QZZ, TXF2	
			1	-	-	-	1008424	QXF1	
			-	-	-	1	-		
9	19631-ZJ1-000	SHROUD	1	1	-	1	-		
10	19632-ZJ1-000	SHROUD	1	1	-	1	-		
11	28405-ZJ1-801ZA	SPACER, RECOIL STARTER MOUNTING	1	-	-	-	-	QYA4, QYF4, QYF6, VXE4, VXZ4, VZA3	
		*NH1*.....BLACK	1	-	-	-	-		

Ref. No.	Part No.	Description	Reqd. QTY					Serial No.	Parts catalogue code
			GX 620 (1)	GX 620 (2)	GX 620 K1 (1)	GX 620 (3)	GX 620 K1 (2)		
11)	28405-ZJ1-801ZB	SPACER, RECOIL STARTER MOUNTING *R8*.....BRIGHT RED	1	-	-	-	-	-----	QYA,QYA4,QYF,QYF4,QYF6,QZX4,QZZ,VYA1,VYA3,VZA1,VZA3,VZD VZE1,VZE5,VZE7,VZE8,VZF1
12	33713-GC2-000	COLLAR B, TAILLIGHT .....	-	(1)	-	-	-	-----	
13	90013-883-000	BOLT, FLANGE, 6X12(CT200) ...	8	-	-	-	-	-----	QAB,QAB4,QAB6,QAC6,QAF,QAF1,QAF2,QAF3,QAF4,QAF5,QAF6,QAF7 QAF8,QAP2,QDA1,QDE1,QDF,QDF4,QDF6,QDW,QXA,QXA1,QXA3,QXA4 QXA6,QXB1,QXC4,QXE1,QXE3,QXF3,QXF6,QYA,QYA4,QYF,QYF4,QYF6 QZX4,QZZ,SAE1,SAF1,TXF2,VAF,VAF4,VAF6,VXA1,VXA3,VXE1,VXE2 VXE4,VXE8,VXZ4,VYA1,VYA3,VZA1,VZA3,VZD,VZE1,VZE5,VZE7,VZE8 VZF1
	95701-06012-00	BOLT, FLANGE, 6X12 .....	8	-	-	-	-	1008423	QXF1
14	90018-ZE1-000	BOLT, FLANGE, 6X23(CT200) ...	2	2	-	2	-	1008424	QXF1
15	90042-ZJ1-000	BOLT, STUD, 6X75 .....	4	4	-	4	-	-----	
16	90055-ZE1-000	SCREW, TAPPING, 4X6 .....	3	-	-	-	-	-----	QZX4,QZZ,VXZ4
17	90104-GF6-000	BOLT, FLANGE, 6X20 .....	2	-	-	-	-	-----	QAB,QAB4,QAB6,QAC6,QAF,QAF1,QAF2,QAF3,QAF4,QAF5,QAF6,QAF7 QAF8,QAP2,QDA1,QDE1,QDF,QDF4,QDF6,QDW,QXA,QXA1,QXA3,QXA4 QXA6,QXB1,QXC4,QXE1,QXE3,QXF1,QXF3,QXF6,QYA,QYA4,QYF,QYF4 QYF6,QZX4,SAE1,SAF1,TXF2,VAF,VAF4,VAF6,VXA1,VXA3,VXE1,VXE2 VXE4,VXE8,VXZ4,VYA1,VYA3,VZA1,VZA3,VZD,VZE1,VZE5,VZE7,VZE8 VZF1
18	90113-GE4-000	BOLT, FLANGE, 6MM(BLACK) ....	-	2	-	2	-	-----	
19	90320-MM5-000	NUT, SPRING, 6MM .....	2	-	-	-	-	-----	QAB,QAB4,QAB6,QAC6,QAF,QAF1,QAF2,QAF3,QAF4,QAF5,QAF6,QAF7 QAF8,QAP2,QDA1,QDE1,QDF,QDF4,QDF6,QDW,QXA,QXA1,QXA3,QXA4 QXA6,QXB1,QXC4,QXE1,QXE3,QXF1,QXF3,QXF6,QYA,QYA4,QYF,QYF4 QYF6,QZX4,SAE1,SAF1,TXF2,VAF,VAF4,VAF6,VXA1,VXA3,VXE1,VXE2 VXE4,VXE8,VXZ4,VYA1,VYA3,VZA1,VZA3,VZD,VZE1,VZE5,VZE7,VZE8 VZF1
20	94050-06000	NUT, FLANGE, 6MM .....	-	2	-	2	-	-----	
			4	4	-	4	-	-----	
21	95701-06008-00	BOLT, FLANGE, 6X8 .....	2	2	-	2	-	-----	
22	19905-ZA8-701	GROMMET, CORD .....	1	-	-	1	-	-----	QAFP,QAFU,QXAP,QXAU,VAFP,VAFU,VXAP,VXAU,VXE2



E-12-1

FAN COVER(GX620K1)



Ref. No.	L.O.N.	(Relative ref. Number) Description	F.R.T.
1	(2,33)		
3101A4		COVER, FUEL PUMP .....	0.1
3	(5)		
1141G8		COVER, ENGINE COOLING FAN ....	0.3
4		COVER, ENGINE COOLING FAN(A) - .NOTE: Recoil starter	0.4
6	1121A5	PLATE, SIDE :LEFT .....	0.8
7	1121A6	PLATE, SIDE :RIGHT .....	0.8
8	4141D9	SHROUD, ENGINE :LEFT .....	0.7
9	4141E1	SHROUD, ENGINE :RIGHT .....	0.7
10	1121C7	STAY A, RECOIL STARTER .....	0.1
11	1121C8	STAY B, RECOIL STARTER .....	0.1
12	1121C6	COVER, RECOIL STARTER MOUNTING	0.1
15	6151A0	ALERT UNIT, OIL .....	0.2
31	6151D9	SWITCH, ENGINE STOP .....	0.2

Ref. No.	Part No.	Description	Reqd. QTY					Serial No.	Parts catalogue code
			GX 620 (1)	GX 620 (2)	GX 620 K1 (1)	GX 620 (3)	GX 620 K1 (2)		
1	16715-ZJ1-840	COVER, FUEL PUMP .....	-	-	1	-	-	QAB,QAB/A,QAB6,QAB6/A,QAF,QAF/A,QAF5,QAF5/A,QAF8,QAF8/A,QDP2,QDP2/A,QDW,QDW/A,QWA6,QWA6/A,QXA,QXA/A,QXA6,QXA6/A,QXF3,QYA,QYA/A,QYD,QYD/A,QYF,QYF/A,QZE3,QZE3/A,SAE1,SAE1/A,TFX2,TFX2/A,VAB2,VAB2/A,VAB3,VAB3/A,VDC2/A,VXA4,VXA4/A,VXE8,VXE8/A,VXF4,VXF4/A,VZE7,VZE7/A,VZE8,VZE8/A,VDC2	
	16715-ZJ1-930	.....	-	-	-	-	1	2065015	VDC2
2	16715-ZJ1-850	COVER, FUEL PUMP (MANUAL CONTROL)	-	-	1	-	-	QAF1,QAF1/A,QAF2,QAF2/A,QAF6,QAF6/A,QAF7,QAF7/A,QAF9,QAF9/A,QAX1,QAX1/A,QDF,QDF/A,QDF6,QDF6/A,QWF6,QWF6/A,QXA3,QXA3/A,QXB1,QXB1/A,QXC2,QXC2/A,QXE1,QXE1/A,QXE5,QXE5/A,QXE8,QXE8/A,QXF4,QXF4/A,QXF6,QXF6/A,QXF8,QXF8/A,QZB,QZB/A,QZB2,QZB2/A,QZB3,QZB3/A,QZE4,QZE4/A,QZF1,QZF1/A,QZF2,QZF2/A,QZF8,QZF8/A,QZX1,QZX1/A,QZX4,QZX4/A,QZX5,QZX5/A,VAF,VAF/A,VAF6,VAF6/A,VEP4,VEP4/A,VXA1,VXA1/A,VXE1,VXE1/A,VXE4,VXE4/A,VXF,VXF/A,VXP2,VXP2/A,VXZ4,VXZ4/A,VYA1,VYA3,VYA3/A,VYE3,VYE3/A,VZA1	
	16715-ZJ1-860	COVER, FUEL PUMP (MANUAL CHOKE)	-	-	1	-	-	QXE4,QXE4/A,QXE7,QXE7/A,QXF,QXF/A,QXW2,QXW2/A,QXW4,QXW4/A,QZD,QZD/A,SAF1,SAF1/A,VDB2,VDB2/A,VXA5,VXA5/A,VXA6,VXA6/A,VXD4,VXD4/A,VXE2,VXE2/A	

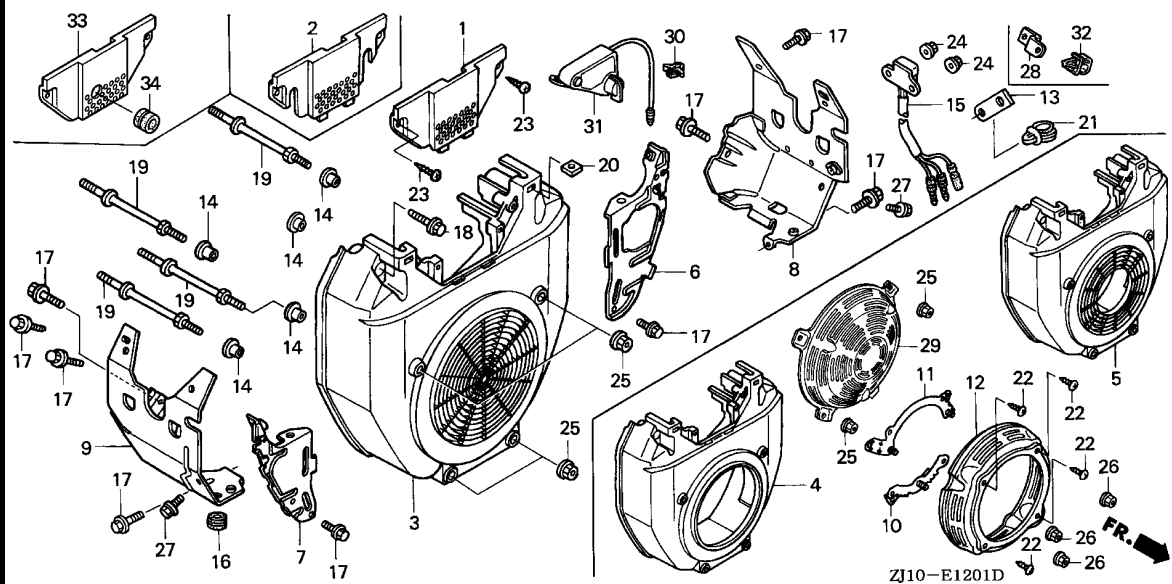
Ref. No.	Part No.	Description	Reqd. QTY					Serial No.	Parts catalogue code
			GX 620	GX 620	GX 620 K1	GX 620	GX 620 K1		
			(1)	(2)	(1)	(3)	(2)		
3	19611-ZJ1-840ZA	COVER, FAN *NH1*.....BLACK	-	-	1	-	-	-----	QAB, QAB/A, QAB6, QAB6/A, QAF1, QAF1/A, QAF2, QAF2/A, QAF5, QAF5/A, QAF6, QAF6/A, QDF, QDF/A, QDF6, QDF6/A, QDW, QDW/A, QWA6, QWA6/A, QWF6, QWF6/A, QXA, QXA/A, QXA3, QXA3/A, QXA6, QXA6/A, QXB1, QXB1/A, QXC2, QXC2/A, QXE1, QXE1/A, QXE5, QXE5/A, QXE7, QXE7/A, QXF, QXF/A, QXF3, QXF4, QXF4/A, QXF6, QXF6/A, SAE1, SAE1/A, TXF2, TXF2/A, VAF, VAF/A, VAF6, VAF6/A, VDB2, VDB2/A, VXA1, VXA1/A, VXE1, VXE1/A, VXE8, VXE8/A, VXF, VXF/A, VXF4, VXF4/A, VXP2, VXP2/A, VZE7, VZE7/A, VZE8, VZE8/A
	19611-ZJ1-840ZB	*R8*.....BRIGHT RED	-	-	1	-	-	-----	QXF3
			-	-	1	-	-	-----	2060129 QAB, QAB6, QAF1, QAF2, QAF5, QAF6, QDF, QDF6, QDW, QXA, QXA3, QXA6, QXB1, QXC2, QXE1, QXE4, QXE5, QXE7, QXF, QXF4, QXF6, QXW2, QXW4, SAE1, SAF1, TXF2, VAF, VAF6, VDB2, VDC2, VXA1, VXA4, VXA5, VXE1, VXE2, VXE8, VXF, VXF4, VXP2
	19611-ZJ1-930	.....	-	-	-	-	1	-----	
	19611-ZJ1-840ZC	*R280*.....POWER RED	-	-	1	-	-	-----	QAB/A, QAB6/A, QAF1/A, QAF2/A, QAF5/A, QAF6/A, QAF9, QAF9/A, QDF/A, QDF6/A, QDP2, QDP2/A, QDW/A, QWA6, QWA6/A, QWF6, QWF6/A, QXA/A, QXA3/A, QXA6/A, QXB1/A, QXC2/A, QXE1/A, QXE4/A, QXE5/A, QXE7/A, QXF/A, QXF4/A, QXF6/A, QXW2/A, QXW4/A, QYD, QYD/A, SAE1/A, SAF1/A, TXF2/A, VAF/A, VAF6/A, VDB2/A, VDC2/A, VXA1/A, VXA4/A, VXA5/A, VXE1/A, VXE2/A, VXE8/A, VXF/A, VXF4/A, VXP2/A
			-	-	1	-	-	-----	2060130 QAB, QAB6, QAF1, QAF2, QAF5, QAF6, QDF, QDF6, QDW, QXA, QXA3, QXA6, QXB1, QXC2, QXE1, QXE4, QXE5, QXE7, QXF, QXF4, QXF6, QXW2, QXW4, SAE1, SAF1, TXF2, VAF, VAF6, VDB2, VDC2, VXA1, VXA4, VXA5, VXE1, VXE2, VXE8, VXF, VXF4, VXP2
4	19611-ZJ1-850ZA	COVER, FAN (RECOIL STARTER) *NH1*.....BLACK	-	-	1	-	-	-----	QYA, QYA/A, QYF, QYF/A, QZB, QZB/A, QZE3, QZE3/A, QZE4, QZE4/A, QZF1, QZF1/A, QZF2, QZF2/A, QZX4, QZX4/A, SYA, SYA/A, VXA6, VXA6/A, VXD4, VXD4/A, VXE4, VXE4/A, VXZ4, VXZ4/A, VYA1, VYA3, VYA3/A, VZA1
	19611-ZJ1-850ZB	*R8*.....BRIGHT RED	-	-	1	-	-	-----	QAD2, QXE8, QXF8, QYA, QYF, QZB, QZB2, QZB3, QZD, QZE3, QZE4, QZF1, QZF2, QZX4, QZX5, VXA6, VXE4, VYA1, VZA1
			-	-	1	-	-	-----	2060776 VYA3
	19611-ZJ1-850ZC	*R280*.....POWER RED	-	-	1	-	-	-----	QAD2/A, QAX1, QAX1/A, QXE8/A, QXF8/A, QYA/A, QYF/A, QZB/A, QZB2/A, QZB3/A, QZD/A, QZE3/A, QZE4/A, QZF1/A, QZF2/A, QZF8, QZF8/A, QZX1, QZX1/A, QZX4/A, QZX5/A, SYA, SYA/A, VAB2, VAB2/A, VAB3, VAB3/A, VEP4, VEP4/A, VXA6/A, VXE4/A, VYA3/A, VYE3, VYE3/A
			-	-	1	-	-	-----	2060777 VYA3
5	19611-ZJ1-860ZB	COVER, FAN (P.T.O.) *R8*.....BRIGHT RED	-	-	1	-	-	-----	2061330 QAF, QAF7, QAF8
	19611-ZJ1-860ZA	*NH1*.....BLACK	-	-	1	-	-	-----	QAF, QAF/A, QAF7, QAF7/A, QAF8, QAF8/A
	19611-ZJ1-860ZC	*R280*.....POWER RED	-	-	1	-	-	-----	QAF/A, QAF7/A, QAF8/A
			-	-	1	-	-	-----	2061331 QAF, QAF7, QAF8
6	19612-ZJ1-840	PLATE, SIDE .....	-	-	1	-	-	-----	QXF3, VYA1
			-	-	1	-	-	-----	2047507 QAB, QAB6, QAF, QAF1, QAF2, QAF5, QAF6, QAF7, QAF8, QDF, QDF6, QDW, QXA, QXA3, QXA6, QXB1, QXC2, QXE1, QXE4, QXE5, QXE7, QXE8, QXF, QXF4, QXF6, QXF8, QXW2, QXW4, QYA, QYF, QZB, QZB2, QZB3, QZD, QZE3, QZE4, QZF1, QZF2, SAE1, SAF1, TXF2, VAF, VAF6, VDB2, VXA1, VXA4, VXA5, VXA6, VXD4, VXE1, VXE2, VXE4, VXE8, VXF, VXF4, VXP2, VYA3, VZA1, VZE7, VZE8
	19612-ZJ1-W30	PLATE, R. SIDE (RECOIL STARTER)	-	-	1	-	-	-----	2048747 QZX4, VXZ4
	19612-ZJ1-W31	PLATE, SIDE (RECOIL STARTER)	-	-	1	-	-	-----	QZX1, QZX1/A, QZX4/A, QZX5, QZX5/A, VXZ4/A
			-	-	1	-	-	-----	2048748 QZX4, VXZ4



E-12-1

FAN COVER(GX620K1)

H 4



Ref. No.	Part No.	Description	Reqd. QTY					Serial No.	Parts catalogue code
			GX 620 (1)	GX 620 (2)	GX 620 K1 (1)	GX 620 (3)	GX 620 K1 (2)		
(6)	19612-ZJ1-841	PLATE, SIDE .....	-	-	1	-	-	-----	QAB/A,QAB6/A,QAD2,QAD2/A,QAF/A,QAF1/A,QAF2/A,QAF5/A,QAF6/A,QAF7/A,QAF8/A,QAF9,QAF9/A,QAX1,QAX1/A,QDF/A,QDF6/A,QDP2,QDP2/A,QDW/A,QWA6,QWA6/A,QWF6,QWF6/A,QXA/A,QXA3/A,QXA6/A,QXB1/A,QXC2/A,QXE1/A,QXE4/A,QXE5/A,QXE7/A,QXE8/A,QXF/A,QXF4/A,QXF6/A,QXF8/A,QXW2/A,QXW4/A,QYA/A,QYD,QYD/A,QYF/A,QZB/A,QZB2/A,QZB3/A,QZD/A,QZE3/A,QZE4/A,QZF1/A,QZF2/A,QZF8,QZF8/A,SAE1/A,SAF1/A,SYA,SYA/A,TXF2/A,VAB2,VAB2/A,VAB3,VAB3/A,VAF/A,VAF6/A,VDB2/A,VDC2,VDC2/A,VEP4,VEP4/A,VXA1/A,VXA4/A,VXA5/A,VXA6/A,VXD4/A,VXE1/A,VXE2/A,VXE4/A,VXE8/A,VXF/A,VXF4/A,VXP2/A,VYA3/A,VYE3,VYE3/A,VZE7/A,VZE8/A
			-	-	1	-	2047508	-----	QAB,QAB6,QAF,QAF1,QAF2,QAF5,QAF6,QAF7,QAF8,QDF,QDF6,QDW,QXA,QXA3,QXA6,QXB1,QXC2,QXE1,QXE4,QXE5,QXE7,QXE8,QXF,QXF4,QXF6,QXF8,QXW2,QXW4,QYA,QYF,QZB,QZB2,QZB3,QZD,QZE3,QZE4,QZF1,QZF2,SAE1,SAF1,TXF2,VAF,VAF6,VDB2,VXA1,VXA4,VXA5,VXA6,VXD4,VXE1,VXE2,VXE4,VXE8,VXF,VXF4,VXP2,VYA3,VZA1,VZE7,VZE8
7	19614-ZJ1-840	PLATE, SIDE .....	-	-	1	-	-	-----	QXF3,VYA1
			-	-	1	-	2047507	-----	QAB,QAB6,QAF,QAF1,QAF2,QAF5,QAF6,QAF7,QAF8,QDF,QDF6,QDW,QXA,QXA3,QXA6,QXB1,QXC2,QXE1,QXE4,QXE5,QXE7,QXE8,QXF,QXF4,QXF6,QXF8,QXW2,QXW4,QYA,QYF,QZB,QZB2,QZB3,QZD,QZE3,QZE4,QZF1,QZF2,QZX4,SAE1,SAF1,TXF2,VAF,VAF6,VDB2,VXA1,VXA4,VXA5,VXA6,VXD4,VXE1,VXE2,VXE4,VXE8,VXF,VXF4,VXP2,VXZ4,VYA3,VZA1,VZE7,VZE8

2

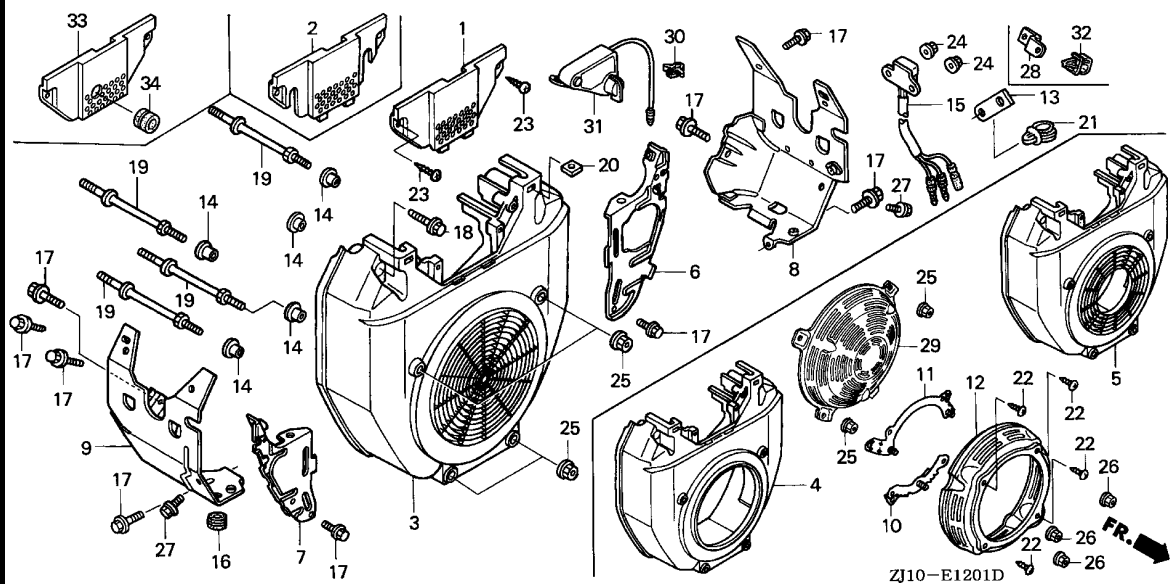
Ref. No.	Part No.	Description	Reqd. QTY					Serial No.	Parts catalogue code
			GX 620	GX 620	GX 620 K1	GX 620	GX 620 K1		
			(1)	(2)	(1)	(3)	(2)		
(7)	19614-ZJ1-841	PLATE, SIDE .....	-	-	1	-	-	-----	QAB/A,QAB6/A,QAD2,QAD2/A,QAF/A,QAF1/A,QAF2/A,QAF5/A,QAF6/A,QAF7/A,QAF8/A,QAF9/A,QAF9/A,QAX1/QAX1/A,QDF/A,QDF6/A,QDP2/QDP2/A,QDW/A,QWA6,QWA6/A,QWF6,QWF6/A,QXA/A,QXA3/A,QXA6/A,QXB1/A,QXC2/A,QXE1/A,QXE4/A,QXE5/A,QXE7/A,QXE8/A,QXF/A,QXF4/A,QXF6/A,QXF8/A,QXW2/A,QXW4/A,QYA/A,QYD,QYD/A,QYF/A,QZB/A,QZB2/A,QZB3/A,QZD/A,QZE3/A,QZE4/A,QZF1/A,QZF2/A,QZF8/QZF8/A,QZX1,QZX1/A,QZX4/A,QZX5,QZX5/A,SAE1/A,SAF1/A,SYA/ SYA/A,TFX2/A,VAB2,VAB2/A,VAB3,VAB3/A,VAF/A,VAF6/A,VDB2/A VDC2,VDC2/A,VEP4,VEP4/A,VXA1/A,VXA4/A,VXA5/A,VXA6/A,VXD4/A VXE1/A,VXE2/A,VXE4/A,VXE8/A,VXF/A,VXF4/A,VXP2/A,VXZ4/A VYA3/A,VYE3,VYE3/A,VZE7/A,VZE8/A
			-	-	1	-	-	2047508 -----	QAB,QAB6,QAF,QAF1,QAF2,QAF5,QAF6,QAF7,QAF8,QDF,QDF6,QDW QXA,QXA3,QXA6,QXB1,QXC2,QXE1,QXE4,QXE5,QXE7,QXE8,QXF,QXF4 QXF6,QXF8,QXW2,QXW4,QYA,QYF,QZB,QZB2,QZB3,QZD,QZE3,QZE4 QZF1,QZF2,QZX4,SAE1,SAF1,TFX2,VAF,VAF6,VDB2,VXA1,VXA4,VXA5 VXA6,VXD4,VXE1,VXE2,VXE4,VXE8,VXF,VXF4,VXP2,VXZ4,VYA3,VZA1 VZE7,VZE8
8	19631-ZJ1-840	SHROUD .....	-	-	1	-	1	-----	QAB,QAB/A,QAB6,QAB6/A,QAD2,QAD2/A,QAF,QAF/A,QAF1/A,QAF1/A QAF2,QAF2/A,QAF5,QAF5/A,QAF6,QAF6/A,QAF7,QAF7/A,QAF8 QAF8/A,QAF9,QAF9/A,QAX1,QAX1/A,QDF,QDF/A,QDF6,QDF6/A,QDP2 QDP2/A,QDW,QDW/A,QYD,QYD/A,QYF,QYF/A,QZD,QZD/A,QZX1,QZX1/A SAE1,SAE1/A,SAF1,SAF1/A,SYA,SYA/A,VAB2,VAB2/A,VAB3,VAB3/A VAF,VAF/A,VAF6,VAF6/A,VDC2,VDC2/A,VXC,VXC/A
	19631-ZJ1-850	SHROUD (OIL ALERT) .....	-	-	1	-	1	-----	QWA6,QWA6/A,QWF6,QWF6/A,QXA,QXA/A,QXA3,QXA3/A,QXA6,QXA6/A QXB1,QXB1/A,QXC2,QXC2/A,QXE1,QXE1/A,QXE4,QXE4/A,QXE5 QXE5/A,QXE7,QXE7/A,QXE8,QXE8/A,QXF,QXF/A,QXF3,QXF4,QXF4/A QXF6,QXF6/A,QXF8,QXF8/A,QXW2,QXW2/A,QXW4,QXW4/A,QYA,QYA/A QZB,QZB/A,QZB2,QZB2/A,QZB3,QZB3/A,QZE3,QZE3/A,QZE4,QZE4/A QZF1,QZF1/A,QZF2,QZF2/A,QZF8,QZF8/A,QZX4,QZX4/A,QZX5 QZX5/A,TFX2,TFX2/A,VDB2,VDB2/A,VEP4,VEP4/A,VXA1,VXA1/A VXA4,VXA4/A,VXA5,VXA5/A,VXA6,VXA6/A,VXC1,VXC1/A,VXC2 VXC2/A,VXD4,VXD4/A,VXE1,VXE1/A,VXE2,VXE2/A,VXE4,VXE4/A VXE8,VXE8/A,VXF,VXF/A,VXF4,VXF4/A,VXP2,VXP2/A,VXZ4,VXZ4/A VYA1,VYA3,VYA3/A,VYE3,VYE3/A,VZA1,VZE7,VZE7/A,VZE8,VZE8/A QXF3,VYA1
9	19632-ZJ1-840	SHROUD .....	-	-	1	-	-	-----	2047507 QAB,QAB6,QAF,QAF1,QAF2,QAF5,QAF6,QAF7,QAF8,QDF,QDF6,QDW QXA,QXA3,QXA6,QXB1,QXC2,QXE1,QXE4,QXE5,QXE7,QXE8,QXF,QXF4 QXF6,QXF8,QXW2,QXW4,QYA,QYF,QZB,QZB2,QZB3,QZD,QZE3,QZE4 QZF1,QZF2,QZX4,SAE1,SAF1,TFX2,VAF,VAF6,VDB2,VXA1,VXA4,VXA5 VXA6,VXD4,VXE1,VXE2,VXE4,VXE8,VXF,VXF4,VXP2,VXZ4,VYA3,VZA1 VZE7,VZE8



E-12-1

FAN COVER(GX620K1)

H 6

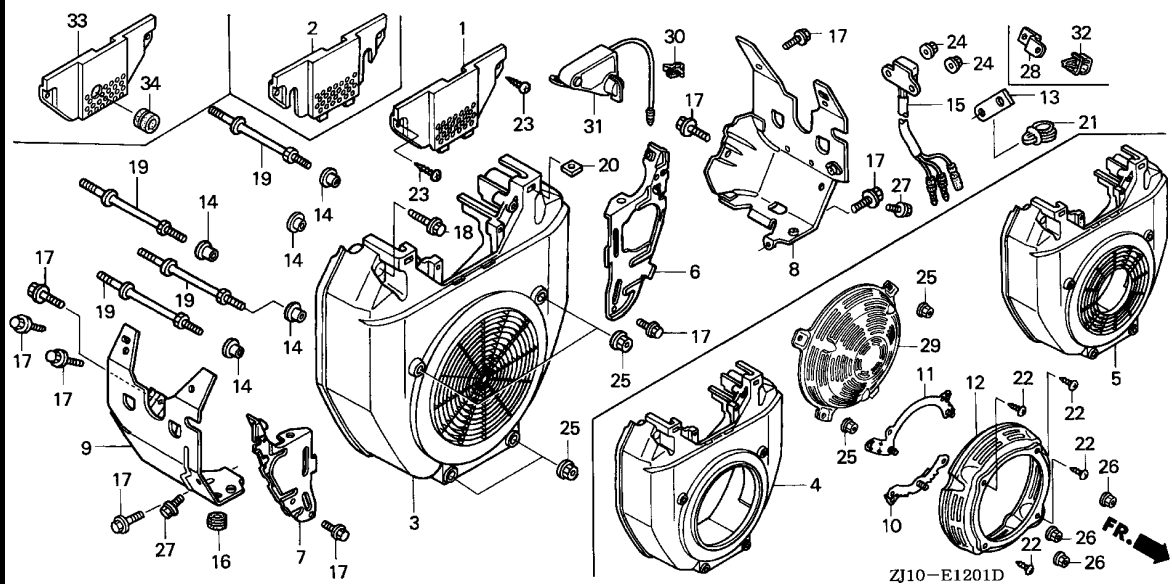


Ref. No.	Part No.	Description	Reqd. QTY					Serial No.	Parts catalogue code
			GX 620 (1)	GX 620 (2)	GX 620 K1 (1)	GX 620 (3)	GX 620 K1 (2)		
(9)	19632-ZJ1-841	SHROUD .....	-	-	1	-	1	-----	QAB/A,QAB6/A,QAD2,QAD2/A,QAF/A,QAF1/A,QAF2/A,QAF5/A,QAF6/A,QAF7/A,QAF8/A,QAF9,QAF9/A,QAX1,QAX1/A,QDF/A,QDF6/A,QDP2,QDP2/A,QDW/A,QWA6,QWA6/A,QWF6,QWF6/A,QXA/A,QXA3/A,QXA6/A,QXB1/A,QXC2/A,QXE1/A,QXE4/A,QXE5/A,QXE7/A,QXE8/A,QXF/A,QXF4/A,QXF6/A,QXF8/A,QXW2/A,QXW4/A,QYA/A,QYD,QYD/A,QYF/A,QZB/A,QZB2/A,QZB3/A,QZD/A,QZE3/A,QZE4/A,QZF1/A,QZF2/A,QZF8,QZF8/A,QZX1,QZX1/A,QZX4/A,QZX5,QZX5/A,SAE1/A,SAF1/A,SYA,SYA/A,TFX2/A,VAB2,VAB2/A,VAB3,VAB3/A,VAF/A,VAF6/A,VDB2/A,VDC2,VDC2/A,VEP4,VEP4/A,VXA1/A,VXA4/A,VXA5/A,VXA6/A,VXC,VXC/A,VXD4/A,VXE1/A,VXE2/A,VXE4/A,VXE8/A,VXF/A,VXF4/A,VXP2/A,VXZ4/A,VYA3/A,VYE3,VYE3/A,VZE7/A,VZE8/A
	19632-ZN1-010	SHROUD, L. ....	-	-	-	-	1	-----	VXC1,VXC1/A,VXC2,VXC2/A
10	28491-ZJ1-840	STAY A, RECOIL STARTER .....	-	-	1	-	-	-----	QAX1,QAX1/A,QXE8,QXE8/A,QXF8,QXF8/A,QYA,QYA/A,QYF,QYF/A,QZB,QZB/A,QZB2,QZB2/A,QZB3,QZB3/A,QZD,QZD/A,QZE3,QZE3/A,QZE4,QZE4/A,QZF1,QZF1/A,QZF2,QZF2/A,QZF8,QZF8/A,QZX1,QZX1/A,QZX4,QZX4/A,QZX5,QZX5/A,VEP4,VEP4/A,VXA6,VXA6/A,VXD4,VXD4/A,VXE4,VXE4/A,VXZ4,VXZ4/A,VYA1,VYA3,VYA3/A,VYE3,VYE3/A,VZA1

Ref. No.	Part No.	Description	Reqd. QTY					Serial No.	Parts catalogue code	
			GX 620	GX 620	GX 620 K1	GX 620	GX 620 K1			
			(1)	(2)	(1)	(3)	(2)			
11	28492-ZJ1-840	STAY B, RECOIL STARTER .....	-	-	1	-	-	-----	QAX1,QAX1/A,QXE8,QXE8/A,QXF8,QXF8/A,QYA,QYA/A,QYF,QYF/A,QZB,QZB/A,QZB2,QZB2/A,QZB3,QZB3/A,QZD,QZD/A,QZE3,QZE3/A,QZE4,QZE4/A,QZF1,QZF1/A,QZF2,QZF2/A,QZF8,QZF8/A,QZX1,QZX1/A,QZX4,QZX4/A,QZX5,QZX5/A,VEP4,VEP4/A,VXA6,VXA6/A,VXD4,VXD4/A,VXE4,VXE4/A,VXZ4,VXZ4/A,VYA1,VYA3,VYA3/A,VYE3,VYE3/A,VZA1	
12	28496-ZJ1-840ZA	COVER, RECOIL STARTER STAY *NH1*.....BLACK	-	-	1	-	-	-----	QYA,QYA/A,QYF,QYF/A,QZB,QZB/A,QZE3,QZE3/A,QZE4,QZE4/A,QZF1,QZF1/A,QZF2,QZF2/A,QZX4,QZX4/A,VXD4,VXD4/A,VXE4,VXE4/A,VXZ4,VXZ4/A,VYA1,VYA3,VYA3/A,VZA1	
	28496-ZJ1-840ZB	*R8*.....BRIGHT RED	-	-	1	-	-	-----	QXE8,QXF8,QYA,QYF,QZB,QZB2,QZB3,QZD,QZE3,QZE4,QZF1,QZF2,QZX4,QZX5,VXA6,VXD4,VXE4,VYA1,VZA1	
	28496-ZJ1-840ZC	*R280*.....POWER RED	-	-	1	-	-	2060776	VYA3	
13	32103-ZG8-000	BRACKET, WIRE HARNESS CLIP ..	-	-	1	-	1	2060777	-----	QAX1,QAX1/A,QXE8/A,QXF8/A,QYA/A,QYF/A,QZB/A,QZB2/A,QZB3/A,QZD/A,QZE3/A,QZE4/A,QZF1/A,QZF2/A,QZF8,QZF8/A,QZX1,QZX1/A,QZX4/A,QZX5/A,VEP4,VEP4/A,VXA6/A,VXD4/A,VXE4/A,VYA3/A,VYE3,VYE3/A
			-	-	1	-	-	-----	VYA3	
			-	-	1	-	-	-----	QXB1,QXB1/A,QXE7,QXE7/A,QXF3,QXF4,QXF4/A,QXW2,QXW2/A,QXW4,QXW4/A,VXA4,VXA4/A,VXA6,VXA6/A,VXC1,VXC1/A,VXC2,VXC2/A,VXD4,VXD4/A,VXE4,VXE4/A,VXE8,VXE8/A,VXF4,VXF4/A,VXP2,VXP2/A,VYA1,VYA3,VYA3/A,VYE3,VYE3/A,VZA1,VZE7,VZE7/A,VZE8,VZE8/A	
14	33713-GC2-000	COLLAR B, TAILLIGHT .....	-	-	1	-	-	2030544	-----	VDB2
15	34150-ZJ1-841	ALERT UNIT, OIL .....	-	-	1	-	-	-----	QXF3,VXC1,VXC2,VYA1,VZA1	
			-	-	1	-	-	2142840	-----	QWA6,QWF6,QXA,QXA3,QXA6,QXB1,QXC2,QXE1,QXE4,QXE5,QXE7,QXE8,QXF,QXF4,QXF6,QXF8,QXW2,QXW4,QYA,QZB,QZB2,QZB3,QZE3,QZE4,QZF1,QZF2,QZF8,QZX4,QZX5,TFX2,VDB2,VEP4,VXA1,VXA4,VXA5,VXA6,VXD4,VXE1,VXE2,VXE4,VXE8,VXF,VXF4,VXP2,VXZ4,VYA3,VYE3,VZE7,VZE8
	34150-ZJ1-842	.....	-	-	1	-	1	-----	QWA6/A,QWF6/A,QXA/A,QXA3/A,QXA6/A,QXB1/A,QXC2/A,QXE1/A,QXE4/A,QXE5/A,QXE7/A,QXE8/A,QXF/A,QXF4/A,QXF6/A,QXF8/A,QXW2/A,QXW4/A,QYA/A,QZB/A,QZB2/A,QZB3/A,QZE3/A,QZE4/A,QZF1/A,QZF2/A,QZF8/A,QZX4/A,QZX5/A,TFX2/A,VDB2/A,VEP4/A,VXA1/A,VXA4/A,VXA5/A,VXA6/A,VXC1/A,VXC2/A,VXD4/A,VXE1/A,VXE2/A,VXE4/A,VXE8/A,VXF/A,VXF4/A,VXP2/A,VXZ4/A,VYA3/A,VYE3/A,VZE7/A,VZE8/A	
			-	-	1	-	-	2142841	-----	QWA6,QWF6,QXA,QXA3,QXA6,QXB1,QXC2,QXE1,QXE4,QXE5,QXE7,QXE8,QXF,QXF4,QXF6,QXF8,QXW2,QXW4,QYA,QZB,QZB2,QZB3,QZE3,QZE4,QZF1,QZF2,QZF8,QZX4,QZX5,TFX2,VDB2,VEP4,VXA1,VXA4,VXA5,VXA6,VXD4,VXE1,VXE2,VXE4,VXE8,VXF,VXF4,VXP2,VXZ4,VYA3,VYE3,VZE7,VZE8
16	80101-310-000	RUBBER, RR. FENDER CUSHION ..	-	-	1	-	1			







Ref. No.	Part No.	Description	Reqd. QTY					Serial No.	Parts catalogue code
			GX 620 (1)	GX 620 (2)	GX 620 K1 (1)	GX 620 (3)	GX 620 K1 (2)		
17	90013-883-000	BOLT, FLANGE, 6X12(CT200) ...	-	-	9	-	9	-----	QZX1,QZX1/A,VXC1,VXC1/A,VXC2,VXC2/A QAB,QAB/A,QAB6,QAB6/A,QAD2,QAD2/A,QAF,QAF/A,QAF1,QAF1/A QAF2,QAF2/A,QAF5,QAF5/A,QAF6,QAF6/A,QAF7,QAF7/A,QAF8 QAF8/A,QAF9,QAF9/A,QAX1,QAX1/A,QDF,QDF/A,QDF6,QDF6/A,QDP2 QDP2/A,QDW,QDW/A,QWA6,QWA6/A,QWF6,QWF6/A,QXA,QXA/A,QXA3 QXA3/A,QXA6,QXA6/A,QXB1,QXB1/A,QXC2,QXC2/A,QXE1,QXE1/A QXE4,QXE4/A,QXE5,QXE5/A,QXE7,QXE7/A,QXE8,QXE8/A,QXF,QXF/A QXF3,QXF4,QXF4/A,QXF6,QXF6/A,QXF8,QXF8/A,QXW2,QXW2/A,QXW4 QXW4/A,QYA,QYA/A,QYD,QYD/A,QYF,QYF/A,QZB,QZB/A,QZB2,QZB2/A QZB3,QZB3/A,QZD,QZD/A,QZE3,QZE3/A,QZE4,QZE4/A,QZF1,QZF1/A QZF2,QZF2/A,QZF8,QZF8/A,QZX4,QZX4/A,QZX5,QZX5/A,SAE1 SAE1/A,SAF1,SAF1/A,SYA,SYA/A,TFX2,TFX2/A,VAB2,VAB2/A,VAB3 VAB3/A,VAF,VAF/A,VAF6,VAF6/A,VDB2,VDB2/A,VDC2,VDC2/A,VEP4 VEP4/A,VXA1,VXA1/A,VXA4,VXA4/A,VXA5,VXA5/A,VXA6,VXA6/A,VXC VXC/A,VXD4,VXD4/A,VXE1,VXE1/A,VXE2,VXE2/A,VXE4,VXE4/A,VXE8 VXE8/A,VXF,VXF/A,VXF4,VXF4/A,VXP2,VXP2/A,VXZ4,VXZ4/A,VYA1 VYA3,VYA3/A,VYE3,VYE3/A,VZA1,VZE7,VZE7/A,VZE8,VZE8/A
18	90018-ZE1-000	BOLT, FLANGE, 6X23(CT200) ...	-	-	2	-	2		
19	90042-ZJ1-840	BOLT, STUD, 6X71 .....	-	-	4	-	4		

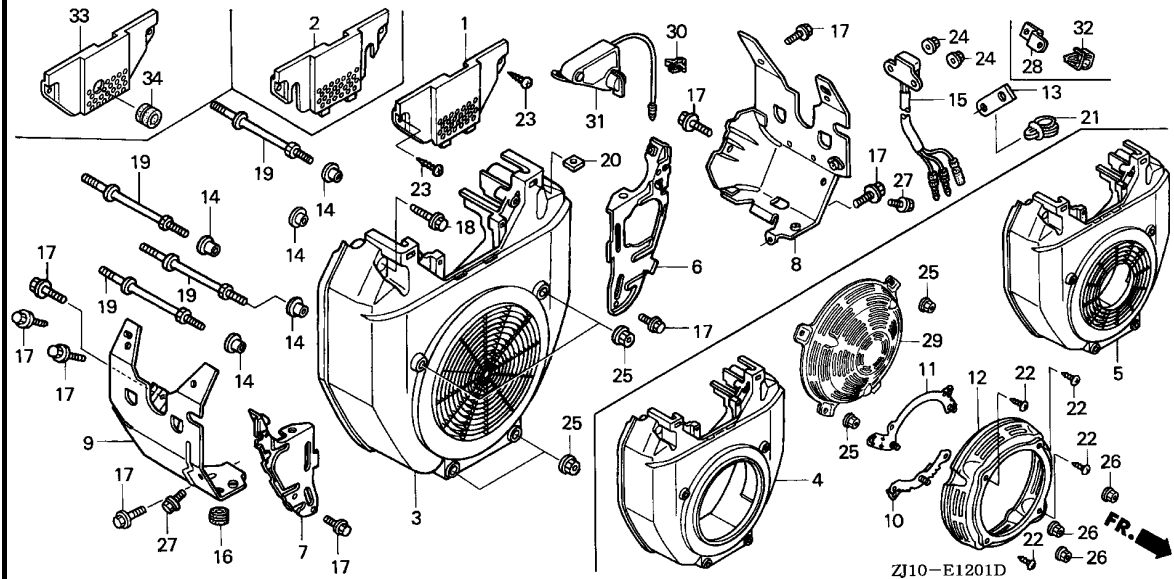
Ref. No.	Part No.	Description	Reqd. QTY					Serial No.	Parts catalogue code
			GX 620	GX 620	GX 620 K1	GX 620	GX 620 K1		
			(1)	(2)	(1)	(3)	(2)		
20	90313-ZJ1-840	NUT, SQUARE, 5MM .....	-	-	2	-	-	-----	QAB, QAB/A, QAB6, QAB6/A, QAD2, QAD2/A, QAF, QAF/A, QAF1, QAF1/A, QAF5, QAF5/A, QAF6, QAF6/A, QAF7, QAF7/A, QAF8, QAF8/A, QAF9, QAF9/A, QAX1, QAX1/A, QDF, QDF/A, QDF6, QDF6/A, QDW, QDW/A, QWA6, QWA6/A, QWF6, QWF6/A, QXA, QXA/A, QXA3, QXA3/A, QXA6, QXA6/A, QXB1, QXB1/A, QXC2, QXC2/A, QXE1, QXE1/A, QXE5, QXE5/A, QXF, QXF/A, QXF3, QXF4, QXF4/A, QXF6, QXF6/A, QYA, QYA/A, QYD, QYD/A, QYF, QYF/A, QZB, QZB/A, QZB2, QZB2/A, QZB3, QZB3/A, QZD, QZD/A, QZE3, QZE3/A, QZE4, QZE4/A, QZF1, QZF1/A, QZF2, QZF2/A, QZF8, QZF8/A, QZX1, QZX1/A, QZX4, QZX4/A, QZX5, QZX5/A, SAE1, SAE1/A, SAF1, SAF1/A, SYA, SYA/A, VAB2, VAB2/A, VAB3, VAB3/A, VAF, VAF/A, VAF6, VAF6/A, VDB2, VDB2/A, VDC2, VDC2/A, VEP4, VEP4/A, VXA1, VXA1/A, VXA4, VXA4/A, VXA5, VXA5/A, VXA6, VXA6/A, VXD4, VXD4/A, VXE1, VXE1/A, VXE2, VXE2/A, VXE4, VXE4/A, VXE8, VXE8/A, VXF, VXF/A, VXF4, VXF4/A, VXP2, VXP2/A, VXZ4, VXZ4/A, VYA1, VYA3, VYA3/A, VYE3, VYE3/A, VZA1, VZE7, VZE7/A, VZE8, VZE8/A
			-	-	-	-	2		
21	91558-SD5-003	CLIP, WIRE HARNESS (BLACK) ..	-	-	1	-	1	-----	QXB1, QXB1/A, QXE7, QXE7/A, QXF3, QXF4, QXF4/A, QXW2, QXW2/A, QXW4, QXW4/A, QZX4, QZX4/A, QZX5, QZX5/A, VDB2, VDB2/A, VXA4, VXA4/A, VXA6, VXA6/A, VXC1, VXC1/A, VXC2, VXC2/A, VXD4, VXD4/A, VXE4, VXE4/A, VXE8, VXE8/A, VXF4, VXF4/A, VXP2, VXP2/A, VXZ4, VXZ4/A, VYA1, VYA3, VYA3/A, VYE3, VYE3/A, VZA1, VZE7, VZE7/A, VZE8, VZE8/A, QAX1, QAX1/A, QXE8, QXE8/A, QXF8, QXF8/A, QYA, QYA/A, QYF, QYF/A, QZB, QZB/A, QZB2, QZB2/A, QZB3, QZB3/A, QZD, QZD/A, QZE3, QZE3/A, QZE4, QZE4/A, QZF1, QZF1/A, QZF2, QZF2/A, QZF8, QZF8/A, QZX1, QZX1/A, QZX4, QZX4/A, QZX5, QZX5/A, VEP4, VEP4/A, VXA6, VXA6/A, VXD4, VXD4/A, VXE4, VXE4/A, VXZ4, VXZ4/A, VYA1, VYA3, VYA3/A, VYE3, VYE3/A, VZA1
22	93903-35380	SCREW, TAPPING, 5X16 .....	-	-	4	-	-	-----	QAB, QAB/A, QAB6, QAB6/A, QAF, QAF/A, QAF1, QAF1/A, QAF2, QAF2/A, QAF5, QAF5/A, QAF6, QAF6/A, QAF7, QAF7/A, QAF8, QAF8/A, QAF9, QAF9/A, QAX1, QAX1/A, QDF, QDF/A, QDF6, QDF6/A, QDP2, QDP2/A, QDW, QDW/A, QWA6, QWA6/A, QWF6, QWF6/A, QXA, QXA/A, QXA3, QXA3/A, QXA6, QXA6/A, QXB1, QXB1/A, QXC2, QXC2/A, QXE1, QXE1/A, QXE4, QXE4/A, QXE5, QXE5/A, QXE7, QXE7/A, QXE8, QXE8/A, QXF, QXF/A, QXF3, QXF4, QXF4/A, QXF6, QXF6/A, QXF8, QXF8/A, QXW2, QXW2/A, QXW4, QXW4/A, QYA, QYA/A, QYD, QYD/A, QYF, QYF/A, QZB, QZB/A, QZB2, QZB2/A, QZB3, QZB3/A, QZD, QZD/A, QZE3, QZE3/A, QZE4, QZE4/A, QZF1, QZF1/A, QZF2, QZF2/A, QZF8, QZF8/A, QZX1, QZX1/A, QZX4, QZX4/A, QZX5, QZX5/A, SAE1, SAE1/A, SAF1, SAF1/A, SYA, SYA/A, TXF2, TXF2/A, VAB2, VAB2/A, VAB3, VAB3/A, VAF, VAF/A, VAF6, VAF6/A, VDB2, VDB2/A, VDC2/A, VEP4, VEP4/A, VXA1, VXA1/A, VXA4, VXA4/A, VXA5, VXA5/A, VXA6, VXA6/A, VXD4, VXD4/A, VXE1, VXE1/A, VXE2, VXE2/A, VXE4, VXE4/A, VXE8, VXE8/A, VXF, VXF/A, VXF4, VXF4/A, VXP2, VXP2/A, VXZ4, VXZ4/A, VYA1, VYA3, VYA3/A, VYE3, VYE3/A, VZA1, VZE7, VZE7/A, VZE8, VZE8/A, VDC2
23	93913-25580	SCREW, TAPPING, 5X20 .....	-	-	2	-	-	-----	2065015
24	94050-05000	NUT, FLANGE, 5MM .....	-	-	2	-	2	-----	QWA6, QWA6/A, QWF6, QWF6/A, QXA, QXA/A, QXA3, QXA3/A, QXA6, QXA6/A, QXB1, QXB1/A, QXC2, QXC2/A, QXE1, QXE1/A, QXE4, QXE4/A, QXE5, QXE5/A, QXE7, QXE7/A, QXE8, QXE8/A, QXF, QXF/A, QXF3, QXF4, QXF4/A, QXF6, QXF6/A, QXF8, QXF8/A, QXW2, QXW2/A, QXW4, QXW4/A, QYA, QYA/A, QZB, QZB/A, QZB2, QZB2/A, QZB3, QZB3/A, QZE3, QZE3/A, QZE4, QZE4/A, QZF1, QZF1/A, QZF2, QZF2/A, QZF8, QZF8/A, QZX4, QZX4/A, QZX5, QZX5/A, QZX5/A, TXF2, TXF2/A, VDB2, VDB2/A, VEP4, VEP4/A, VXA1, VXA1/A, VXA4, VXA4/A, VXA5, VXA5/A, VXA6, VXA6/A, VXC1, VXC1/A, VXC2, VXC2/A, VXD4, VXD4/A, VXE1, VXE1/A, VXE2, VXE2/A, VXE4, VXE4/A, VXE8, VXE8/A, VXF, VXF/A, VXF4, VXF4/A, VXP2, VXP2/A, VXZ4, VXZ4/A, VYA1, VYA3, VYA3/A, VYE3, VYE3/A, VZA1, VZE7, VZE7/A, VZE8, VZE8/A



# E-12-1

# FAN COVER(GX620K1)

**H10**



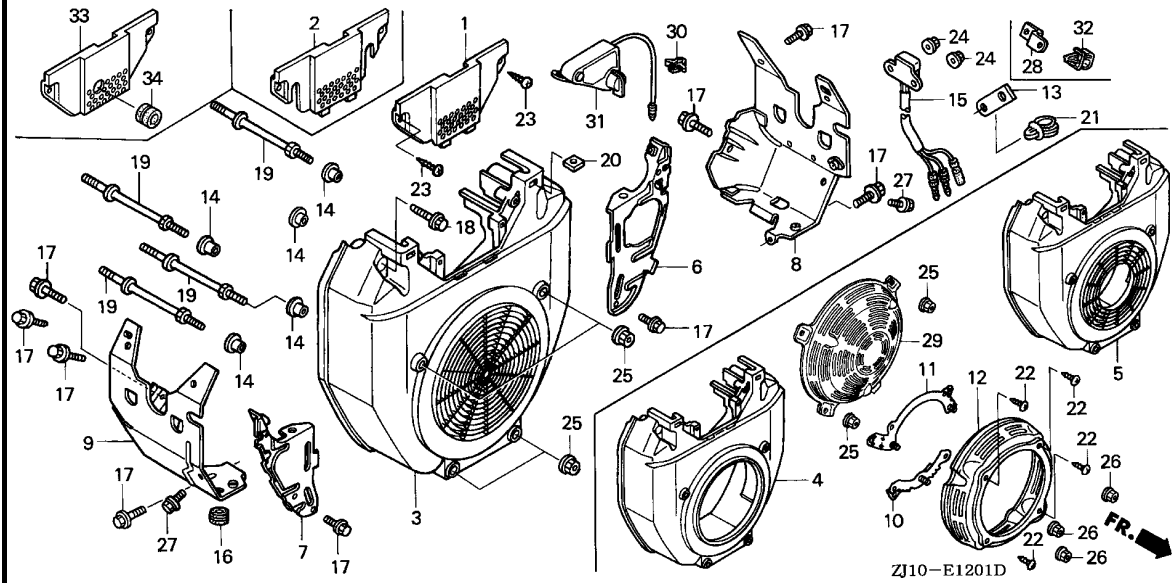
Ref. No.	Part No.	Description	Reqd. QTY					Serial No.	Parts catalogue code
			GX 620 (1)	GX 620 (2)	GX 620 K1 (1)	GX 620 (3)	GX 620 K1 (2)		
25	94050-06000	NUT, FLANGE, 6MM .....	-	-	4	-	-	-----	QAB,QAB/A,QAB6,QAB6/A,QAD2,QAD2/A,QAF,QAF/A,QAF1,QAF1/A,QAF2,QAF2/A,QAF5,QAF5/A,QAF6,QAF6/A,QAF7,QAF7/A,QAF8,QAF8/A,QAF9,QAF9/A,QDF,QDF/A,QDF6,QDF6/A,QDP2,QDP2/A,QDW,QDW/A,QWA6,QWA6/A,QWF6,QWF6/A,QXA,QXA/A,QXA3,QXA3/A,QXA6,QXA6/A,QXB1,QXB1/A,QXC2,QXC2/A,QXE1,QXE1/A,QXE4,QXE4/A,QXE5,QXE5/A,QXE7,QXE7/A,QXF,QXF/A,QXF3,QXF4,QXF4/A,QXF6,QXF6/A,QXW2,QXW2/A,QXW4,QXW4/A,QYD,QYD/A,QZF1,QZF1/A,QZX4,QZX4/A,SAE1,SAE1/A,SAF1,SAF1/A,SYA,SYA/A,TFX2,TFX2/A,VAB2,VAB2/A,VAB3,VAB3/A,VAF,VAF/A,VAF6,VAF6/A,VDB2,VDB2/A,VDC2,VDC2/A,VXA1,VXA1/A,VXA4,VXA4/A,VXA5,VXA5/A,VXE1,VXE1/A,VXE2,VXE2/A,VXE8,VXE8/A,VXF,VXF/A,VXF4,VXF4/A,VXP2,VXP2/A,VZE7,VZE7/A,VZE8,VZE8/A
	94050-06070	.....	-	-	4	-	-	-----	VEP4,VEP4/A
26	94050-06070	NUT, FLANGE, 6MM .....	-	-	3	-	-	-----	QAX1,QAX1/A,QXE8,QXE8/A,QXF8,QXF8/A,QYA,QYA/A,QYF,QYF/A,QZB,QZB/A,QZB2,QZB2/A,QZB3,QZB3/A,QZD,QZD/A,QZE3,QZE3/A,QZE4,QZE4/A,QZF1,QZF1/A,QZF2,QZF2/A,QZF8,QZF8/A,QZX1,QZX1/A,QZX4,QZX4/A,QZX5,QZX5/A,VEP4,VEP4/A,VXA6,VXA6/A,VXD4,VXD4/A,VXE4,VXE4/A,VXZ4,VXZ4/A,VYA1,VYA3,VYA3/A,VYE3,VYE3/A,VZA1
27	95701-06008-00	BOLT, FLANGE, 6X8 .....	-	-	2	-	2	-----	
28	54518-767-B40	BRACKET, CABLE CLIP .....	-	-	1	-	-	-----	QZX4,QZX4/A,QZX5,QZX5/A,VXZ4,VXZ4/A
			-	-	2	-	-	-----	QZX1,QZX1/A
29	19621-ZJ1-801ZB	PROTECTOR, FAN COVER *R8*.....BRIGHT RED	-	-	1	-	-	-----	2060299 QAD2

**2**

# E-12-1

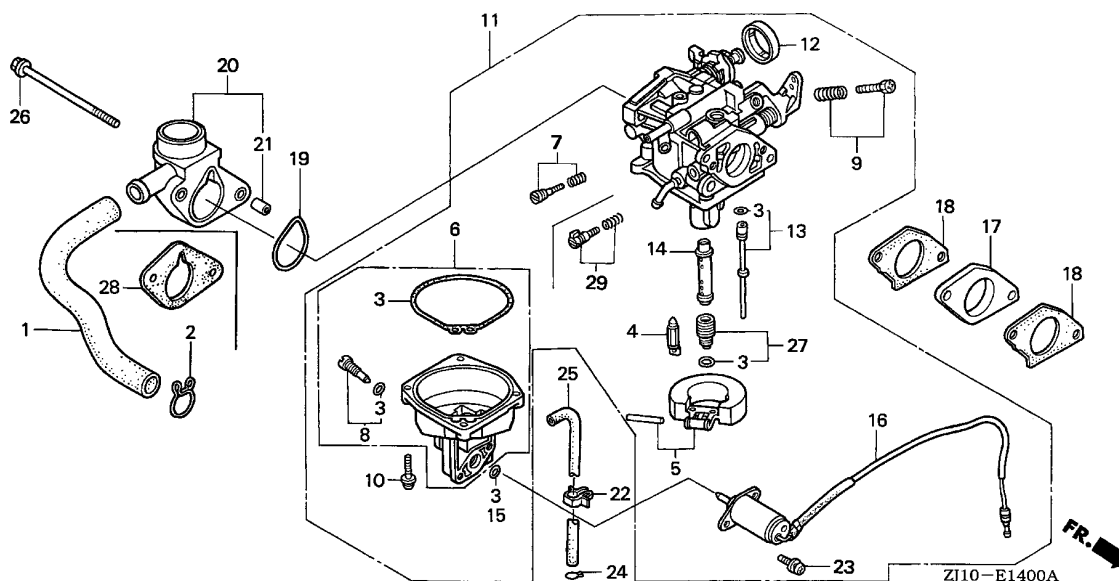
# FAN COVER(GX620K1)

H11



Ref. No.	Part No.	Description	Reqd. QTY					Serial No.	Parts catalogue code
			GX 620 (1)	GX 620 (2)	GX 620 K1 (1)	GX 620 (3)	GX 620 K1 (2)		
29)	19621-ZJ1-801ZC	PROTECTOR, FAN COVER *R280*.....POWER RED	-	-	1	-	-	----- QAD2/A,VAB2,VAB2/A ----- QAD2	
30	32985-KR9-003	CLIP, WIRE CORD .....	-	-	2	-	2060300 ----- QZX1,QZX1/A		
31	35120-ZJ1-941	SWITCH ASSY., ENGINE STOP ...	-	-	1	-	----- QZX1,QZX1/A		
32	90650-SB2-003	CLIP, WIRE HARNESS, 10MM ....	-	-	1	-	----- QZX1,QZX1/A		
33	16715-ZJ1-R50	COVER, FUEL PUMP .....	-	-	1	-	----- SYA,SYA/A		
34	33606-GBZ-000	RUBBER, WINKER BOLT MOUNTING	-	-	1	-	----- SYA,SYA/A		

2

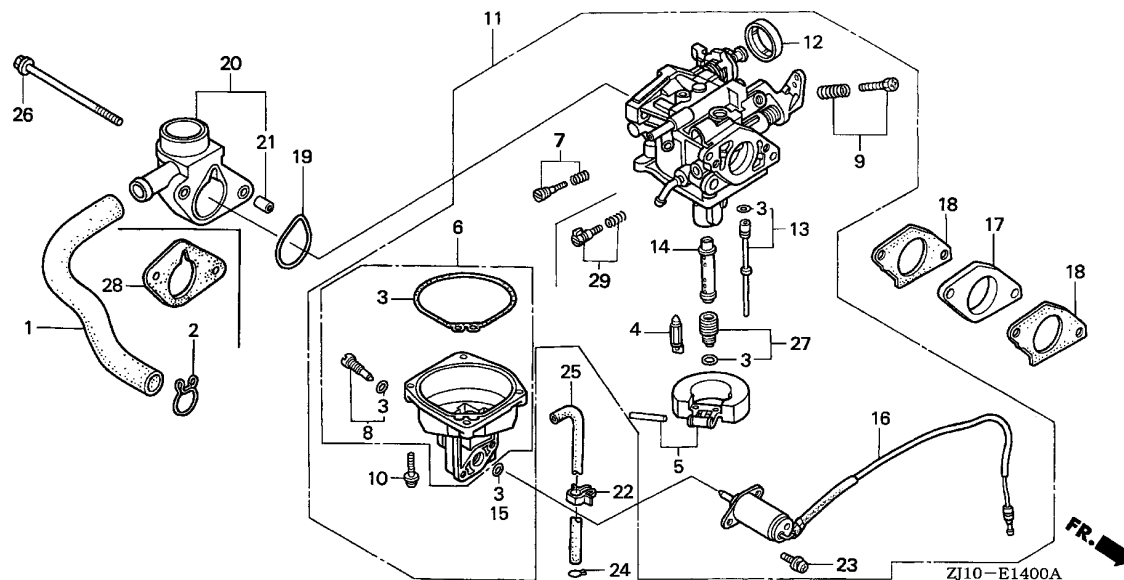


Ref. No.	L.O.N.	(Relative ref. Number) Description	F.R.T.
1	1111K5	TUBE, BREATHER .....	0.2
3	3111B1	GASKET SET, CARBURETOR .....	0.8
4	3111E1	VALVE SET, FLOAT AND/OR FLOAT SET .....	0.7
6	3111A3	CHAMBER SET, FLOAT AND/OR GASKET, FLOAT CHAMBER .....	0.7
7	3111D7	SCREW SET, PILOT .....	0.2
11	3111F3	CARBURETOR .....	0.6
16	6211C0	VALVE, CARBURETOR SOLENOID ...	0.5
17	3111C0	INSULATOR, CARBURETOR AND/OR PACKING, INSULATOR .....	0.4
18	3111C8	PACKING, CARBURETOR .....	0.4
20	3121B4	ELBOW, AIR CLEANER .....	0.2
27	3111C3	JET, MAIN .....	0.7

Ref. No.	Part No.	Description	Reqd. QTY					Serial No.	Parts catalogue code
			GX 620	GX 620	GX 620 K1	GX 620 (1)	GX 620 (2)		
1	12357-ZJ1-000	TUBE, BREATHER .....	1	1	-	-	-	-	-
2	15772-551-000	CLIP, BREATHER TUBE .....	1	1	-	-	-	-	-
3	16010-ZG8-000	GASKET SET .....	1	-	-	-	-	-	QAB, QAB4, QAB6, QAC6, QAF, QAF1, QAF2, QAF3, QAF4, QAF5, QAF6, QAF7, QAF8, QAP2, QDA1, QDE1, QDF, QDF4, QDF6, QDW, QXA, QXA1, QXA3, QXA4, QXA6, QXB1, QXC4, QXE1, QXE3, QXF1, QXF3, QXF6, QYA, QYA4, QYF, QYF4, QYF6, SAE1, SAF1, TXF2, VAF, VAF4, VAF6, VXA1, VXA3, VXE1, VXE2, VXE4, VXE8, VYA1, VYA3, VZA1, VZA3, VZD, VZE1, VZE5, VZE7, VZE8
	16010-ZJ4-800	.....	-	1	-	-	-	-	QZX4, QZZ, VXZ4, VZF1
4	16011-GK0-891	VALVE SET, FLOAT .....	1	1	-	-	-	-	-
5	16013-ZV4-005	FLOAT SET .....	1	1	-	-	-	-	-
6	16015-ZJ1-000	CHAMBER SET, FLOAT .....	1	-	-	-	-	-	QAB, QAB4, QAB6, QAC6, QAF, QAF1, QAF2, QAF3, QAF4, QAF5, QAF6, QAF7, QAF8, QAP2, QDA1, QDE1, QDF, QDF4, QDF6, QDW, QXA, QXA1, QXA3, QXA4, QXA6, QXB1, QXC4, QXE1, QXE3, QXF1, QXF3, QXF6, QYA, QYA4, QYF, QYF4, QYF6, SAE1, SAF1, TXF2, VAF, VAF4, VAF6, VXA1, VXA3, VXE1, VXE2, VXE4, VXE8, VYA1, VYA3, VZA1, VZA3, VZD, VZE1, VZE5, VZE7, VZE8
	16015-ZJ4-800	.....	-	1	-	-	-	-	QZX4, QZZ, VXZ4, VZF1
7	16016-ZG8-000	SCREW SET .....	1	-	-	-	-	-	QZZ
	16016-ZJ1-000	(CARBURETOR NO.) .....	1	-	-	-	-	-	BG22A A QAB, QAF, QDF, QXA, QYA, QYF, VAF
			-	1	-	-	-	-	BG22A A
8	16024-124-760	SCREW SET, DRAIN .....	1	1	-	-	-	-	-
9	16028-ZJ1-000	SCREW SET .....	1	-	-	-	-	-	BG22A A QAB, QAF, QDF, QXA, QYA, QYF, VAF
		(CARBURETOR NO.) .....	1	-	-	-	-	-	-

Ref. No.	Part No.	Description	Reqd. QTY					Serial No.	Parts catalogue code
			GX 620	GX 620	GX 620 K1	GX 620	GX 620 K1		
			(1)	(2)	(1)	(3)	(2)		
(9)	16028-ZG8-000	SCREW SET .....	1	-	-	-	-	QAB4, QAB6, QAC6, QAF1, QAF2, QAF3, QAF4, QAF5, QAF6, QAF7, QAF8, QAP2, QDA1, QDE1, QDF4, QDF6, QDW, QXA1, QXA3, QXA4, QXA6, QXB1, QXC4, QXE1, QXE3, QXF1, QXF3, QXF6, QYA4, QYF4, QYF6, QZX4, QZZ, SAE1, SAF1, TXF2, VAF4, VAF6, VXA1, VXA3, VXE1, VXE2, VXE4, VXE8, VXZ4, VYA1, VYA3, VZA1, VZA3, VZD, VZE1, VZE5, VZE7, VZE8, VZF1	
		(CARBURETOR NO.)	1	-	-	-	-	BG22A B QAB, QAF, QDF, QXA, QYA, QYF, VAF	
10	16081-ZV4-650	SCREW-WASHER .....	4	4	-	-	-		
11	16100-ZJ1-V10	CARBURETOR ASSY. (BG22B A) ..	1	-	-	-	-	1014667 QZX4	
	16100-ZJ1-010	CARBURETOR ASSY. (BG22A A/B)	1	-	-	-	-	1014667 QAF5, QAF6, QXE3, QXF1, QXF3, SAF1	
			1	-	-	-	-	1017435 QAB, QAB4, QAB6, QAC6, QAF, QAF1, QAF2, QAF3, QAF4, QDA1, QDE1, QDF, QDF4, QDF6, QDW, QXA, QXA1, QXA3, QXA4, QXA6, QXB1, QXC4, QXE1, QXF6, QYA, QYA4, QYF, QYF4, QYF6, TXF2, VXE1	
	16100-ZJ1-V11	CARBURETOR ASSY. (BG22B B) ..	1	-	-	-	-	1014668 QZX4	
	16100-ZJ1-023	CARBURETOR ASSY. (BG22A C) ..	1	-	-	-	-	QAF7, QAF8, QAP2, SAE1	
			1	-	-	-	-	1014668 QAF5, QAF6, QXE3, QXF1, QXF3, SAF1	
			1	-	-	-	-	1017436 QAB, QAB4, QAB6, QAC6, QAF, QAF1, QAF2, QAF3, QAF4, QDA1, QDE1, QDF, QDF4, QDF6, QDW, QXA, QXA1, QXA3, QXA4, QXA6, QXB1, QXC4, QXE1, QXF6, QYA, QYA4, QYF, QYF4, QYF6, TXF2, VXE1	
	16100-ZJ1-881	CARBURETOR ASSY. (BG22D A) ..	1	-	-	-	-	1017435 VZF1	
	16100-ZJ1-891	CARBURETOR ASSY. (BG22C A) ..	1	-	-	-	-	1017435 VAF, VAF4, VAF6, VXA1, VXA3, VXE4	
	16100-ZJ1-882	CARBURETOR ASSY. (BG22D B) ..	1	-	-	-	-	VXZ4	
			1	-	-	-	-	1017436 VZF1	
	16100-ZJ1-892	CARBURETOR ASSY. (BG22C B) ..	1	-	-	-	-	VXE2, VXE8, VYA1, VYA3, VZA1, VZA3, VZD, VZE1, VZE5, VZE7, VZE8	
			1	-	-	-	-	1017436 VAF, VAF4, VAF6, VXA1, VXA3, VXE4	
	16100-ZJ1-901	CARBURETOR ASSY. (BG22F A) ..	1	-	-	-	-	QZZ	
12	16148-141-881	CAP, CHOKE DUST .....	1	1	-	-	-		
13	16150-ZJ1-010	JET SET, #45 .....	1	-	-	-	-	QAB, QAB4, QAB6, QAC6, QAF, QAF1, QAF2, QAF3, QAF4, QAF5, QAF6, QAF7, QAF8, QAP2, QDA1, QDE1, QDF, QDF4, QDF6, QDW, QXA, QXA1, QXA3, QXA4, QXA6, QXB1, QXC4, QXE1, QXE3, QXF1, QXF3, QXF6, QYA, QYA4, QYF, QYF4, QYF6, QZX4, QZZ, SAE1, SAF1, TXF2, VXE1	
		(CARBURETOR NO.)	1	-	-	-	-	BG22C A VAF, VAF4, VAF6, VXA1, VXA3, VZF1	
			-	1	-	-	-		
	16151-ZJ0-020	JET SET, #60 .....	1	-	-	-	-	BG22C A VXE4	
		(CARBURETOR NO.)	1	-	-	-	-	VXE2, VXE8, VXZ4, VYA1, VYA3, VZA1, VZA3, VZD, VZE1, VZE5, VZE7, VZE8	
	16151-ZJ1-891	JET SET, #55 .....	1	-	-	-	-	BG22C B VAF, VAF4, VAF6, VXA1, VXA3, VXE4, VZF1	
		(CARBURETOR NO.)	1	-	-	-	-		
14	16166-ZJ1-010	NOZZLE, MAIN .....	1	1	-	-	-		
15	16178-548-004	O-RING, 5.8X1.9 .....	1	-	-	-	-	QAB, QAB4, QAB6, QAC6, QAF, QAF1, QAF2, QAF3, QAF4, QAF5, QAF6, QAF7, QAF8, QAP2, QDA1, QDE1, QDF, QDF4, QDF6, QDW, QXA, QXA1, QXA3, QXA4, QXA6, QXB1, QXC4, QXE1, QXE3, QXF1, QXF3, QXF6, QYA, QYA4, QYF, QYF4, QYF6, SAE1, SAF1, TXF2, VAF, VAF4, VAF6, VXA1, VXA3, VXE1, VXE2, VXE4, VXE8, VYA1, VYA3, VZA1, VZA3, VZD, VZE1, VZE5, VZE7, VZE8	
			-	1	-	-	-		
16	16200-ZJ1-003	VALVE ASSY., SOLENOID .....	1	-	-	-	-	QAB, QAB4, QAB6, QAC6, QAF, QAF1, QAF2, QAF3, QAF4, QAF5, QAF6, QAF7, QAF8, QAP2, QDA1, QDE1, QDF, QDF4, QDF6, QDW, QXA, QXA1, QXA3, QXA4, QXA6, QXB1, QXC4, QXE1, QXE3, QXF1, QXF3, QXF6, QYA, QYA4, QYF, QYF4, QYF6, SAE1, SAF1, TXF2, VAF, VAF4, VAF6, VXA1, VXA3, VXE1, VXE2, VXE4, VXE8, VYA1, VYA3, VZA1, VZA3, VZD, VZE1, VZE5, VZE7, VZE8	
17	16211-ZJ1-000	INSULATOR, CARBURETOR .....	1	1	-	-	-		
18	16221-ZG8-000	PACKING, CARBURETOR .....	2	2	-	-	-		





Ref. No.	Part No.	Description	Reqd. QTY					Serial No.	Parts catalogue code
			GX 620 (1)	GX 620 (2)	GX 620 K1 (1)	GX 620 (3)	GX 620 K1 (2)		
19	17228-ZG8-003	PACKING, AIR CLEANER .....	1	-	-	-	-	-----	QAB, QAB4, QAB6, QAC6, QAF, QAF1, QAF2, QAF3, QAF4, QAF5, QAF6, QAF7, QAF8, QAP2, QDA1, QDE1, QDF, QDF4, QDF6, QDW, QXA, QXA1, QXA3, QXA4, QXA6, QXB1, QXC4, QXE1, QXE3, QXF1, QXF3, QXF6, QYA, QYA4, QYF, QYF4, QYF6, QZX4, SAE1, SAF1, TXF2, VAF, VAF4, VAF6, VXA1, VXA3, VXE1, VXE2, VXE4, VXE8, VXZ4, VYA1, VYA3, VZA1, VZA3, VZD, VZE1, VZE5, VZE7, VZE8, VZF1
20	17410-ZJ1-000	ELBOW COMP., AIR CLEANER .....	1	1	-	-	-	-----	QAB, QAB4, QAB6, QAC6, QAF, QAF1, QAF2, QAF3, QAF4, QAF5, QAF6, QAF7, QAF8, QAP2, QDA1, QDE1, QDF, QDF4, QDF6, QDW, QXA, QXA1, QXA3, QXA4, QXA6, QXB1, QXC4, QXE1, QXE3, QXF1, QXF3, QXF6, QYA, QYA4, QYF, QYF4, QYF6, QZX4, SAE1, SAF1, TXF2, VAF, VAF4, VAF6, VXA1, VXA3, VXE1, VXE2, VXE4, VXE8, VXZ4, VYA1, VYA3, VZA1, VZA3, VZD, VZE1, VZE5, VZE7, VZE8, VZF1
21	19024-ZA0-000	COLLAR, DISTANCE .....	2	-	-	-	-	-----	QAB, QAB4, QAB6, QAC6, QAF, QAF1, QAF2, QAF3, QAF4, QAF5, QAF6, QAF7, QAF8, QAP2, QDA1, QDE1, QDF, QDF4, QDF6, QDW, QXA, QXA1, QXA3, QXA4, QXA6, QXB1, QXC4, QXE1, QXE3, QXF1, QXF3, QXF6, QYA, QYA4, QYF, QYF4, QYF6, QZX4, SAE1, SAF1, TXF2, VAF, VAF4, VAF6, VXA1, VXA3, VXE1, VXE2, VXE4, VXE8, VXZ4, VYA1, VYA3, VZA1, VZA3, VZD, VZE1, VZE5, VZE7, VZE8, VZF1
22	90682-959-661	CLIP B, CABLE .....	1	2	-	-	-	-----	

Ref. No.	Part No.	Description	Reqd. QTY					Serial No.	Parts catalogue code
			GX 620	GX 620	GX 620 K1	GX 620	GX 620 K1		
			(1)	(2)	(1)	(3)	(2)		
23	93892-05012-18	SCREW-WASHER, 5X12 .....	2	-	-	-	-	-----	QAB, QAB4, QAB6, QAC6, QAF, QAF1, QAF2, QAF3, QAF4, QAF5, QAF6, QAF7, QAF8, QAP2, QDA1, QDE1, QDF, QDF4, QDF6, QDW, QXA, QXA1, QXA3, QXA4, QXA6, QXB1, QXC4, QXE1, QXE3, QXF1, QXF3, QXF6, QYA, QYA4, QYF, QYF4, QYF6, SAE1, SAF1, TXF2, VAF, VAF4, VAF6, VXA1, VXA3, VXE1, VXE2, VXE4, VXE8, VYA1, VYA3, VZA1, VZA3, VZD, VZE1, VZE5, VZE7, VZE8
			-	2	-	-	-		
24	95002-02080	CLIP, TUBE (B8) .....	1	1	-	-	-		
25	95005-45460-20	TUBE, 4.5X460(95005-45001-20M)	1	1	-	-	-		
26	95801-06105-08	BOLT, FLANGE, 6X105 .....	2	-	-	-	-	-----	QAB, QAB4, QAB6, QAC6, QAF, QAF1, QAF2, QAF3, QAF4, QAF5, QAF6, QAF7, QAF8, QAP2, QDA1, QDE1, QDF, QDF4, QDF6, QDW, QXA, QXA1, QXA3, QXA4, QXA6, QXB1, QXC4, QXE1, QXE3, QXF1, QXF3, QXF6, QYA, QYA4, QYF, QYF4, QYF6, QZX4, SAE1, SAF1, TXF2, VAF, VAF4, VAF6, VXA1, VXA3, VXE1, VXE2, VXE4, VXE8, VXZ4, VYA1, VYA3, VZA1, VZA3, VZD, VZE1, VZE5, VZE7, VZE8, VZF1
			-	2	-	-	-		
27	95801-06090-08	BOLT, FLANGE, 6X90 .....	2	-	-	-	-	-----	QZZ
	99101-ZJ4-0900	JET, MAIN, #90 .....	(1)	-	-	-	-	-----	QZX4, VXZ4, VZF1
	99101-ZJ4-0920	JET SET, #92 .....	(1)	-	-	-	-	-----	QZX4, VXZ4, VZF1
	99101-ZJ4-0950	JET SET, #95 .....	1	-	-	-	-	-----	QZX4, VXZ4, VZF1
	99201-ZG8-0820	JET SET, MAIN, #82 .....	(1)	-	-	-	-	-----	VZA1, VZD
	99201-ZG8-0850	JET SET, MAIN, #85 .....	(1)	-	-	-	-	-----	VZA1
	99201-ZG8-0900	JET SET, MAIN, #90 .....	(1)	-	-	-	-	-----	QAB, QAB4, QAB6, QAC6, QAF, QAF1, QAF2, QAF3, QAF4, QAF5, QAF6, QAF7, QAF8, QAP2, QDA1, QDE1, QDF, QDF4, QDF6, QDW, QXA, QXA1, QXA3, QXA4, QXA6, QXB1, QXC4, QXE1, QXE3, QXF1, QXF3, QXF6, QYA, QYA4, QYF, QYF4, QYF6, SAE1, SAF1, TXF2, VAF, VAF4, VAF6, VXA1, VXA3, VXE1, VXE2, VXE4, VXE8, VYA1, VYA3, VZA1, VZA3, VZD, VZE1, VZE5, VZE7, VZE8
			-	(1)	-	-	-		
	99201-ZG8-0920	JET SET, MAIN, #92 .....	(1)	-	-	-	-	-----	QAB, QAB4, QAB6, QAC6, QAF, QAF1, QAF2, QAF3, QAF4, QAF5, QAF6, QAF7, QAF8, QAP2, QDA1, QDE1, QDF, QDF4, QDF6, QDW, QXA, QXA1, QXA3, QXA4, QXA6, QXB1, QXC4, QXE1, QXE3, QXF1, QXF3, QXF6, QYA, QYA4, QYF, QYF4, QYF6, SAE1, SAF1, TXF2, VAF, VAF4, VAF6, VXA1, VXA3, VXE1, VXE2, VXE4, VXE8, VYA1, VYA3, VZA1, VZA3, VZD, VZE1, VZE5, VZE7, VZE8
			-	(1)	-	-	-		
	99201-ZG8-0950	JET SET, MAIN, #95 .....	1	-	-	-	-	-----	QAB, QAB4, QAB6, QAC6, QAF, QAF1, QAF2, QAF3, QAF4, QAF5, QAF6, QAF7, QAF8, QAP2, QDA1, QDE1, QDF, QDF4, QDF6, QDW, QXA, QXA1, QXA3, QXA4, QXA6, QXB1, QXC4, QXE1, QXE3, QXF1, QXF3, QXF6, QYA, QYA4, QYF, QYF4, QYF6, SAE1, SAF1, TXF2, VAF, VAF4, VAF6, VXA1, VXA3, VXE1, VXE2, VXE4, VXE8, VYA1, VYA3, VZA1, VZA3, VZD, VZE1, VZE5, VZE7, VZE8
			(1)	-	-	-	-	-----	QZZ
			-	1	-	-	-		
	99201-ZG8-0980	JET SET, MAIN, #98 .....	(1)	-	-	-	-	-----	QZZ
	99201-ZG8-1000	JET SET, MAIN, #100 .....	1	-	-	-	-	-----	QZZ
28	16221-ZJ1-900	PACKING, CARBURETOR .....	1	-	-	-	-	-----	QZZ
29	16016-ZJ1-010	SCREW SET .....	1	-	-	-	-	-----	QAB4, QAB6, QAC6, QAF1, QAF2, QAF3, QAF4, QAF5, QAF6, QAF7, QAF8, QAP2, QDA1, QDE1, QDF4, QDF6, QDW, QXA1, QXA3, QXA4, QXA6, QXB1, QXC4, QXE1, QXE3, QXF1, QXF3, QXF6, QYA4, QYF4, QYF6, QZX4, SAE1, SAF1, TXF2, VAF4, VAF6, VXA1, VXA3, VXE1, VXE2, VXE4, VXE8, VXZ4, VYA1, VYA3, VZA1, VZA3, VZD, VZE1, VZE5, VZE7, VZE8, VZF1
	(CARBURETOR NO.)		1	-	-	-	-	-----	QAB, QAF, QDF, QXA, QYA, QYF, VAF
	“		-	1	-	-	-	-----	BG22A B
	“							-----	BG22A B

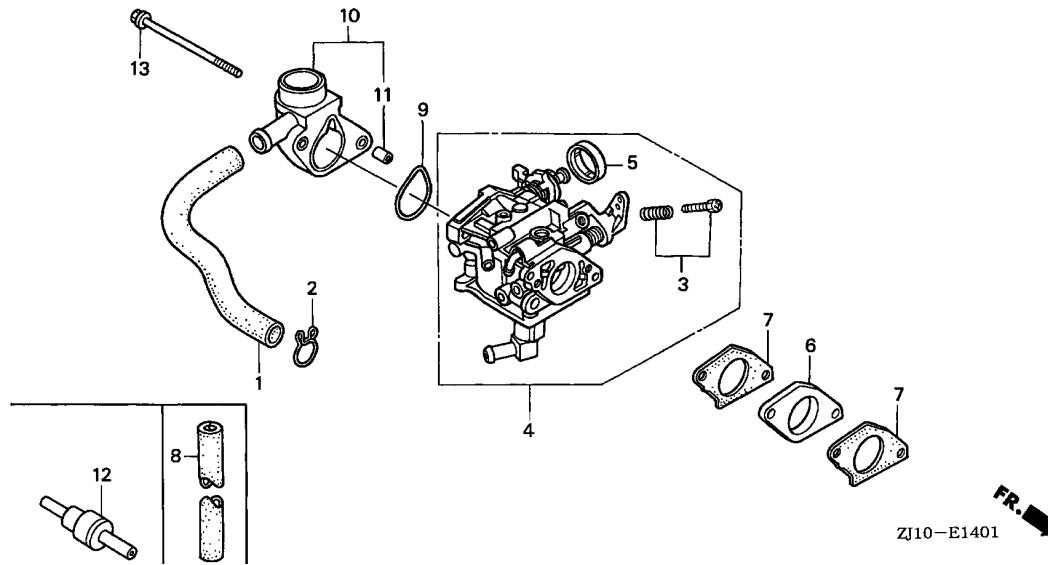




# E-14-1

# CARBURETOR(2)

H16



Ref. No.	L.O.N.	(Relative ref. Number) Description	F.R.T.
1	1111K5	TUBE, BREATHER .....	0.2
4	3111F3	CARBURETOR .....	0.6
6	3111C0	INSULATOR, CARBURETOR AND/OR PACKING, INSULATOR .....	0.4
7	3111C8	PACKING, CARBURETOR .....	0.4
10		.NOTE: Same time for two units (9)	
	3121B4	ELBOW, AIR CLEANER .....	0.2
12	311175	VALVE, DASHPOT CHECK .....	0.1

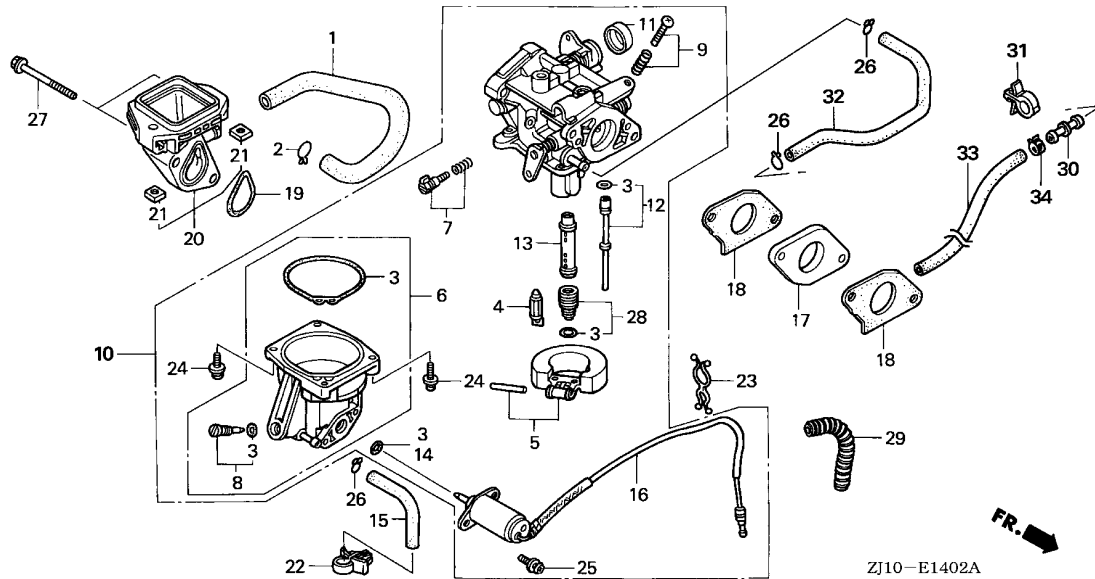
2

Ref. No.	Part No.	Description	Reqd. QTY					Serial No.	Parts catalogue code
			GX 620 (1)	GX 620 (2)	GX 620 K1 (1)	GX 620 (3)	GX 620 K1 (2)		
1	12357-ZJ1-000	TUBE, BREATHER .....	-	-	-	1	-		
2	15772-551-000	CLIP, BREATHER TUBE .....	-	-	-	1	-		
3	16028-ZG8-000	SCREW SET .....	-	-	-	1	-		
4	16100-ZJ1-801	CARBURETOR ASSY. (BGL1A A) ..	-	-	-	1	-		
5	16148-141-881	CAP, CHOKE DUST .....	-	-	-	1	-		
6	16211-ZJ1-000	INSULATOR, CARBURETOR .....	-	-	-	1	-		
7	16221-ZG8-000	PACKING, CARBURETOR .....	-	-	-	2	-		
8	16854-ZJ1-800	RUBBER, SUPPORTER .....	-	-	-	1	-		
9	17228-ZG8-003	PACKING, AIR CLEANER .....	-	-	-	1	-		
10	17410-ZJ1-000	ELBOW COMP., AIR CLEANER .....	-	-	-	1	-	----- QAFP,QXAP,VABP,VAFP,VXAP	
	17410-ZJ1-820	.....	-	-	-	1	-	----- QAFU,QXAU,VAFU,VXAU	
11	19024-ZA0-000	COLLAR, DISTANCE .....	-	-	-	2	-		
12	36135-PH3-004	VALVE, DASHPOT CHECK .....	-	-	-	(1)	-		
13	95801-06105-08	BOLT, FLANGE, 6X105 .....	-	-	-	2	-		

E-14-2

CARBURETOR(3)

11

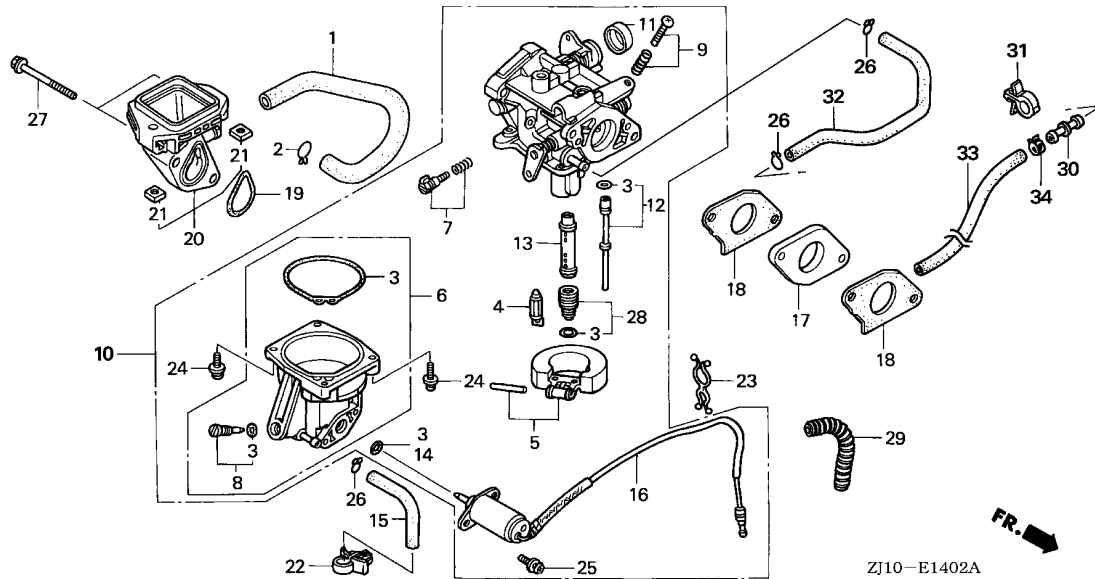


Ref. No.	L.O.N.	(Relative ref. Number) Description	F.R.T.
1	1111K5	TUBE, BREATHER .....	0.2
3	3111B1	GASKET SET, CARBURETOR .....	0.8
4	3111E1	VALVE SET, FLOAT AND/OR FLOAT SET .....	0.7
6	3111A3	CHAMBER SET, FLOAT AND/OR GASKET, FLOAT CHAMBER .....	0.7
7	3111D7	SCREW SET, PILOT .....	0.2
10	3111F3	CARBURETOR .....	0.6
16	6211C0	VALVE, CARBURETOR SOLENOID ...	0.5
17	3111C0	INSULATOR, CARBURETOR AND/OR PACKING, INSULATOR .....	0.4
18	3111C8	PACKING, CARBURETOR .....	0.4
20	3121B4	ELBOW, AIR CLEANER .....	0.2
28	3111C2	JET SET, MAIN .....	0.7

ZJ10-E1402A

Ref. No.	Part No.	Description	Reqd. QTY					Serial No.	Parts catalogue code
			GX 620	GX 620	GX 620	GX 620	GX 620		
1	12357-ZJ1-840	TUBE, BREATHER .....	-	-	1	-	-	-----	QAB,QAB/A,QAB6,QAB6/A,QAD2,QAD2/A,QAF,QAF/A,QAF1,QAF1/A,QAF2,QAF2/A,QAF5,QAF5/A,QAF6,QAF6/A,QAF7,QAF7/A,QAF8,QAF8/A,QAF9,QAF9/A,QAX1,QAX1/A,QDF,QDF/A,QDF6,QDF6/A,QDP2,QDP2/A,QDW,QDW/A,QWA6,QWA6/A,QWF6,QWF6/A,QXA,QXA/A,QXA3,QXA3/A,QXA6,QXA6/A,QXB1,QXB1/A,QXC2,QXC2/A,QXE1,QXE1/A,QXE4,QXE4/A,QXE5,QXE5/A,QXE7,QXE7/A,QXE8,QXE8/A,QXF,QXF/A,QXF3,QXF4,QXF4/A,QXF6,QXF6/A,QXF8,QXF8/A,QXW2,QXW2/A,QXW4,QXW4/A,QYA,QYA/A,QYD,QYD/A,QYF,QYF/A,QZB,QZB/A,QZB2,QZB2/A,QZB3,QZB3/A,QZD,QZD/A,QZE3,QZE3/A,QZE4,QZE4/A,QZF1,QZF1/A,QZF2,QZF2/A,QZF8,QZF8/A,QZX1,QZX1/A,QZX4,QZX4/A,QZX5,QZX5/A,SAE1,SAE1/A,SAF1,SAF1/A,TFX2,TFX2/A,VAB2,VAB2/A,VAB3,VAB3/A,VAF,VAF/A,VAF6,VAF6/A,VDB2,VDB2/A,VDC2,VDC2/A,VEP4,VEP4/A,VXA1,VXA1/A,VXA4,VXA4/A,VXA5,VXA5/A,VXA6,VXA6/A,VXD4,VXD4/A,VXE1,VXE1/A,VXE2,VXE2/A,VXE4,VXE4/A,VXE8,VXE8/A,VXF,VXF/A,VXF4,VXF4/A,VXP2,VXP2/A,VXZ4,VXZ4/A,VYA1,VYA3,VYA3/A,VYE3,VYE3/A,VZA1,VZE7,VZE7/A,VZE8,VZE8/A

2

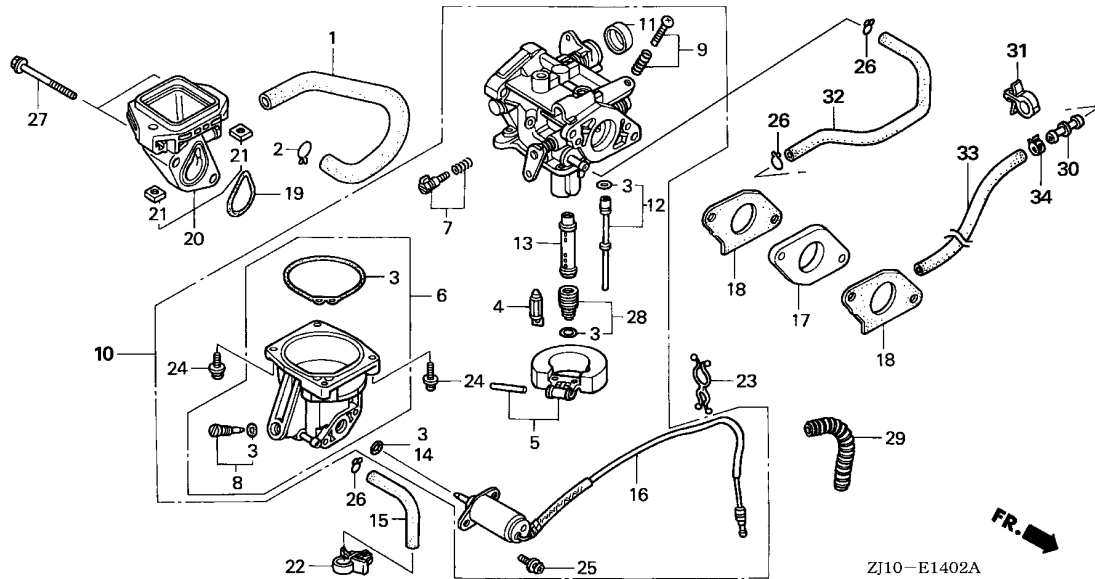


2

Ref. No.	Part No.	Description	Reqd. QTY					Serial No.	Parts catalogue code
			GX 620	GX 620	GX 620	GX 620	GX 620		
2	15772-551-000	CLIP, BREATHER TUBE .....	-	-	1	-	-	-----	QAB,QAB/A,QAB6,QAB6/A,QAD2,QAD2/A,QAF,QAF/A,QAF1,QAF1/A,QAF2,QAF2/A,QAF5,QAF5/A,QAF6,QAF6/A,QAF7,QAF7/A,QAF8,QAF8/A,QAF9,QAF9/A,QAX1,QAX1/A,QDF,QDF/A,QDF6,QDF6/A,QDP2,QDP2/A,QDW,QDW/A,QWA6,QWA6/A,QWF6,QWF6/A,QXA,QXA/A,QXA3,QXA3/A,QXA6,QXA6/A,QXB1,QXB1/A,QXC2,QXC2/A,QXE1,QXE1/A,QXE4,QXE4/A,QXE5,QXE5/A,QXE7,QXE7/A,QXE8,QXE8/A,QXF,QXF/A,QXF3,QXF4,QXF4/A,QXF6,QXF6/A,QXF8,QXF8/A,QXW2,QXW2/A,QXW4,QXW4/A,QYA,QYA/A,QYD,QYD/A,QYF,QYF/A,QZB,QZB/A,QZB2,QZB2/A,QZB3,QZB3/A,QZD,QZD/A,QZE3,QZE3/A,QZE4,QZE4/A,QZF1,QZF1/A,QZF2,QZF2/A,QZF8,QZF8/A,QZX1,QZX1/A,QZX4,QZX4/A,QZX5,QZX5/A,SAE1,SAE1/A,SAF1,SAF1/A,TFX2,TFX2/A,VAB2,VAB2/A,VAB3,VAB3/A,VAF,VAF/A,VAF6,VAF6/A,VDB2,VDB2/A,VDC2,VDC2/A,VEP4,VEP4/A,VXA1,VXA1/A,VXA4,VXA4/A,VXA5,VXA5/A,VXA6,VXA6/A,VXD4,VXD4/A,VXE1,VXE1/A,VXE2,VXE2/A,VXE4,VXE4/A,VXE8,VXE8/A,VXF,VXF/A,VXF4,VXF4/A,VXP2,VXP2/A,VXZ4,VXZ4/A,VYA1,VYA3,VYA3/A,VYE3,VYE3/A,VZA1,VZE7,VZE7/A,VZE8,VZE8/A

Ref. No.	Part No.	Description	Reqd. QTY					Serial No.	Parts catalogue code
			GX 620	GX 620	GX 620 K1	GX 620	GX 620 K1		
			(1)	(2)	(1)	(3)	(2)		
3	16010-ZG8-000	GASKET SET .....	-	-	1	-	-	-----	QAB, QAB/A, QAB6, QAB6/A, QAD2, QAD2/A, QAF, QAF/A, QAF1, QAF1/A, QAF2, QAF2/A, QAF5, QAF5/A, QAF6, QAF6/A, QAF7, QAF7/A, QAF8, QAF8/A, QAF9, QAF9/A, QDF, QDF/A, QDF6, QDF6/A, QDP2, QDP2/A, QDW, QDW/A, QWA6, QWA6/A, QWF6, QWF6/A, QXA, QXA/A, QXA3, QXA3/A, QXA6, QXA6/A, QXB1, QXB1/A, QXC2, QXC2/A, QXE1, QXE1/A, QXE4, QXE4/A, QXE5, QXE5/A, QXE7, QXE7/A, QXE8, QXE8/A, QXF, QXF/A, QXF3, QXF4, QXF4/A, QXF6, QXF6/A, QXF8, QXF8/A, QXW2, QXW2/A, QXW4, QXW4/A, QYA, QYA/A, QYD, QYD/A, QYF, QYF/A, QZB, QZB/A, QZB2, QZB2/A, QZB3, QZB3/A, QZD, QZD/A, QZE3, QZE3/A, QZE4, QZE4/A, QZF1, QZF1/A, QZF2, QZF2/A, QZF8, QZF8/A, SAE1, SAE1/A, SAF1, SAF1/A, TXF2, TXF2/A, VAB2, VAB2/A, VAB3, VAB3/A, VAF, VAF/A, VAF6, VAF6/A, VDB2, VDB2/A, VDC2, VDC2/A, VEP4, VEP4/A, VXA1, VXA1/A, VXA4, VXA4/A, VXA5, VXA5/A, VXA6, VXA6/A, VXD4, VXD4/A, VXE1, VXE1/A, VXE2, VXE2/A, VXE4, VXE4/A, VXE8, VXE8/A, VXF, VXF/A, VXF4, VXF4/A, VXP2, VXP2/A, VYA1, VYA3, VYA3/A, VYE3, VYE3/A, VZA1, VZE7, VZE7/A, VZE8, VZE8/A, QZX5, QZX5/A
	16010-ZJ0-911	.....	-	-	1	-	-	-----	QAX1, QAX1/A, QZX1, QZX1/A, QZX4, QZX4/A, VXZ4, VXZ4/A
	16010-ZJ4-800	.....	-	-	1	-	-	-----	QAB, QAB/A, QAB6, QAB6/A, QAD2, QAD2/A, QAF, QAF/A, QAF1, QAF1/A, QAF2, QAF2/A, QAF5, QAF5/A, QAF6, QAF6/A, QAF7, QAF7/A, QAF8, QAF8/A, QAF9, QAF9/A, QAX1, QAX1/A, QDF, QDF/A, QDF6, QDF6/A, QDP2, QDP2/A, QDW, QDW/A, QWA6, QWA6/A, QWF6, QWF6/A, QXA, QXA/A, QXA3, QXA3/A, QXA6, QXA6/A, QXB1, QXB1/A, QXC2, QXC2/A, QXE1, QXE1/A, QXE4, QXE4/A, QXE5, QXE5/A, QXE7, QXE7/A, QXE8, QXE8/A, QXF, QXF/A, QXF3, QXF4, QXF4/A, QXF6, QXF6/A, QXF8, QXF8/A, QXW2, QXW2/A, QXW4, QXW4/A, QYA, QYA/A, QYD, QYD/A, QYF, QYF/A, QZB, QZB/A, QZB2, QZB2/A, QZB3, QZB3/A, QZD, QZD/A, QZE3, QZE3/A, QZE4, QZE4/A, QZF1, QZF1/A, QZF2, QZF2/A, QZF8, QZF8/A, QZX1, QZX1/A, QZX4, QZX4/A, QZX5, QZX5/A, SAE1, SAE1/A, SAF1, SAF1/A, TXF2, TXF2/A, VAB2, VAB2/A, VAB3, VAB3/A, VAF, VAF/A, VAF6, VAF6/A, VDB2, VDB2/A, VDC2, VDC2/A, VEP4, VEP4/A, VXA1, VXA1/A, VXA4, VXA4/A, VXA5, VXA5/A, VXA6, VXA6/A, VXD4, VXD4/A, VXE1, VXE1/A, VXE2, VXE2/A, VXE4, VXE4/A, VXE8, VXE8/A, VXF, VXF/A, VXF4, VXF4/A, VXP2, VXP2/A, VXZ4, VXZ4/A, VYA1, VYA3, VYA3/A, VYE3, VYE3/A, VZA1, VZE7, VZE7/A, VZE8, VZE8/A
4	16011-KCK-910	VALVE SET, FLOAT .....	-	-	1	-	-	-----	QAB, QAB/A, QAB6, QAB6/A, QAD2, QAD2/A, QAF, QAF/A, QAF1, QAF1/A, QAF2, QAF2/A, QAF5, QAF5/A, QAF6, QAF6/A, QAF7, QAF7/A, QAF8, QAF8/A, QAF9, QAF9/A, QAX1, QAX1/A, QDF, QDF/A, QDF6, QDF6/A, QDP2, QDP2/A, QDW, QDW/A, QWA6, QWA6/A, QWF6, QWF6/A, QXA, QXA/A, QXA3, QXA3/A, QXA6, QXA6/A, QXB1, QXB1/A, QXC2, QXC2/A, QXE1, QXE1/A, QXE4, QXE4/A, QXE5, QXE5/A, QXE7, QXE7/A, QXE8, QXE8/A, QXF, QXF/A, QXF3, QXF4, QXF4/A, QXF6, QXF6/A, QXF8, QXF8/A, QXW2, QXW2/A, QXW4, QXW4/A, QYA, QYA/A, QYD, QYD/A, QYF, QYF/A, QZB, QZB/A, QZB2, QZB2/A, QZB3, QZB3/A, QZD, QZD/A, QZE3, QZE3/A, QZE4, QZE4/A, QZF1, QZF1/A, QZF2, QZF2/A, QZF8, QZF8/A, QZX1, QZX1/A, QZX4, QZX4/A, QZX5, QZX5/A, SAE1, SAE1/A, SAF1, SAF1/A, TXF2, TXF2/A, VAB2, VAB2/A, VAB3, VAB3/A, VAF, VAF/A, VAF6, VAF6/A, VDB2, VDB2/A, VDC2, VDC2/A, VEP4, VEP4/A, VXA1, VXA1/A, VXA4, VXA4/A, VXA5, VXA5/A, VXA6, VXA6/A, VXD4, VXD4/A, VXE1, VXE1/A, VXE2, VXE2/A, VXE4, VXE4/A, VXE8, VXE8/A, VXF, VXF/A, VXF4, VXF4/A, VXP2, VXP2/A, VXZ4, VXZ4/A, VYA1, VYA3, VYA3/A, VYE3, VYE3/A, VZA1, VZE7, VZE7/A, VZE8, VZE8/A
5	16013-ZV4-005	FLOAT SET .....	-	-	1	-	-	-----	QAB, QAB/A, QAB6, QAB6/A, QAD2, QAD2/A, QAF, QAF/A, QAF1, QAF1/A, QAF2, QAF2/A, QAF5, QAF5/A, QAF6, QAF6/A, QAF7, QAF7/A, QAF8, QAF8/A, QAF9, QAF9/A, QAX1, QAX1/A, QDF, QDF/A, QDF6, QDF6/A, QDP2, QDP2/A, QDW, QDW/A, QWA6, QWA6/A, QWF6, QWF6/A, QXA, QXA/A, QXA3, QXA3/A, QXA6, QXA6/A, QXB1, QXB1/A, QXC2, QXC2/A, QXE1, QXE1/A, QXE4, QXE4/A, QXE5, QXE5/A, QXE7, QXE7/A, QXE8, QXE8/A, QXF, QXF/A, QXF3, QXF4, QXF4/A, QXF6, QXF6/A, QXF8, QXF8/A, QXW2, QXW2/A, QXW4, QXW4/A, QYA, QYA/A, QYD, QYD/A, QYF, QYF/A, QZB, QZB/A, QZB2, QZB2/A, QZB3, QZB3/A, QZD, QZD/A, QZE3, QZE3/A, QZE4, QZE4/A, QZF1, QZF1/A, QZF2, QZF2/A, QZF8, QZF8/A, QZX1, QZX1/A, QZX4, QZX4/A, QZX5, QZX5/A, SAE1, SAE1/A, SAF1, SAF1/A, TXF2, TXF2/A, VAB2, VAB2/A, VAB3, VAB3/A, VAF, VAF/A, VAF6, VAF6/A, VDB2, VDB2/A, VDC2, VDC2/A, VEP4, VEP4/A, VXA1, VXA1/A, VXA4, VXA4/A, VXA5, VXA5/A, VXA6, VXA6/A, VXD4, VXD4/A, VXE1, VXE1/A, VXE2, VXE2/A, VXE4, VXE4/A, VXE8, VXE8/A, VXF, VXF/A, VXF4, VXF4/A, VXP2, VXP2/A, VXZ4, VXZ4/A, VYA1, VYA3, VYA3/A, VYE3, VYE3/A, VZA1, VZE7, VZE7/A, VZE8, VZE8/A



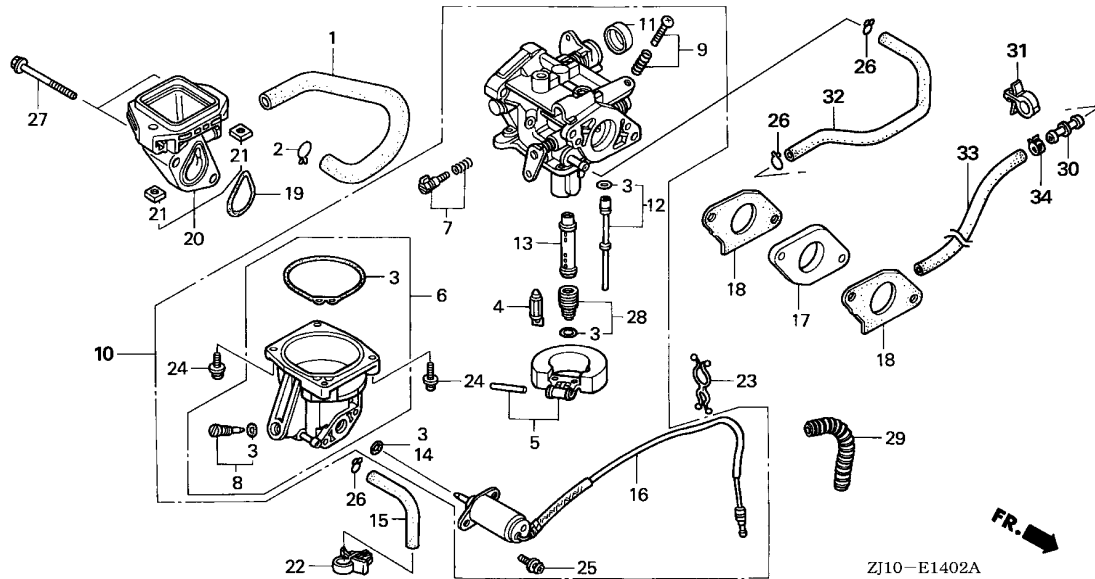


2

Ref. No.	Part No.	Description	Reqd. QTY					Serial No.	Parts catalogue code
			GX 620	GX 620	GX 620	GX 620	GX 620		
6	16015-ZJ1-841	CHAMBER SET, FLOAT .....	-	-	1	-	-	-----	QAB,QAB/A,QAB6,QAB6/A,QAD2,QAD2/A,QAF,QAF/A,QAF1,QAF1/A,QAF2,QAF2/A,QAF5,QAF5/A,QAF6,QAF6/A,QAF7,QAF7/A,QAF8,QAF8/A,QAF9,QAF9/A,QDF,QDF/A,QDF6,QDF6/A,QDP2,QDP2/A,QDW,QDW/A,QWA6,QWA6/A,QWF6,QWF6/A,QXA,QXA/A,QXA3,QXA3/A,QXA6,QXA6/A,QXB1,QXB1/A,QXC2,QXC2/A,QXE1,QXE1/A,QXE4,QXE4/A,QXE5,QXE5/A,QXE7,QXE7/A,QXE8,QXE8/A,QXF,QXF/A,QXF3,QXF4,QXF4/A,QXF6,QXF6/A,QXF8,QXF8/A,QXW2,QXW2/A,QXW4,QXW4/A,QYA,QYA/A,QYD,QYD/A,QYF,QYF/A,QZB,QZB/A,QZB2,QZB2/A,QZB3,QZB3/A,QZD,QZD/A,QZE3,QZE3/A,QZE4,QZE4/A,QZF1,QZF1/A,QZF2,QZF2/A,QZF8,QZF8/A,SAE1,SAE1/A,SAF1,SAF1/A,TXF2,TXF2/A,VAB2,VAB2/A,VAB3,VAB3/A,VAF,VAF/A,VAF6,VAF6/A,VDB2,VDB2/A,VDC2,VDC2/A,VEP4,VEP4/A,VXA1,VXA1/A,VXA4,VXA4/A,VXA5,VXA5/A,VXA6,VXA6/A,VXD4,VXD4/A,VXE1,VXE1/A,VXE2,VXE2/A,VXE4,VXE4/A,VXE8,VXE8/A,VXF,VXF/A,VXF4,VXF4/A,VXP2,VXP2/A,VYA1,VYA3,VYA3/A,VYE3,VYE3/A,VZA1,VZE7,VZE7/A,VZE8,VZE8/A,QZX5,QZX5/A
	16015-ZJ1-W01	.....	-	-	1	-	-	-----	QAX1,QAX1/A,QZX1,QZX1/A,QZX4,QZX4/A,VXZ4,VXZ4/A
	16015-ZJ4-841	.....	-	-	1	-	-	-----	

Ref. No.	Part No.	Description	Reqd. QTY					Serial No.	Parts catalogue code
			GX 620	GX 620	GX 620 K1	GX 620	GX 620 K1		
			(1)	(2)	(1)	(3)	(2)		
7	16016-ZJ1-010	SCREW SET .....	-	-	1	-	-	-----	QAB,QAB/A,QAB6,QAB6/A,QAD2,QAD2/A,QAF,QAF/A,QAF1,QAF1/A,QAF2,QAF2/A,QAF5,QAF5/A,QAF6,QAF6/A,QAF7,QAF7/A,QAF8,QAF8/A,QAF9,QAF9/A,QAX1,QAX1/A,QDF,QDF/A,QDF6,QDF6/A,QDP2,QDP2/A,QDW,QDW/A,QWA6,QWA6/A,QWF6,QWF6/A,QXA,QXA/A,QXA3,QXA3/A,QXA6,QXA6/A,QXB1,QXB1/A,QXC2,QXC2/A,QXE1,QXE1/A,QXE4,QXE4/A,QXE5,QXE5/A,QXE7,QXE7/A,QXE8,QXE8/A,QXF,QXF/A,QXF3,QXF4,QXF4/A,QXF6,QXF6/A,QXF8,QXF8/A,QXW2,QXW2/A,QXW4,QXW4/A,QYA,QYA/A,QYD,QYD/A,QYF,QYF/A,QZB,QZB/A,QZB2,QZB2/A,QZB3,QZB3/A,QZD,QZD/A,QZE3,QZE3/A,QZE4,QZE4/A,QZF1,QZF1/A,QZF2,QZF2/A,QZF8,QZF8/A,QZX1,QZX1/A,QZX4,QZX4/A,QZX5,QZX5/A,SAE1,SAE1/A,SAF1,SAF1/A,TFX2,TFX2/A,VAB2,VAB2/A,VAB3,VAB3/A,VAF,VAF/A,VAF6,VAF6/A,VDB2,VDB2/A,VDC2,VDC2/A,VEP4,VEP4/A,VXA1,VXA1/A,VXA4,VXA4/A,VXA5,VXA5/A,VXA6,VXA6/A,VXD4,VXD4/A,VXE1,VXE1/A,VXE2,VXE2/A,VXE4,VXE4/A,VXE8,VXE8/A,VXF,VXF/A,VXF4,VXF4/A,VXP2,VXP2/A,VXZ4,VXZ4/A,VYA1,VYA3,VYA3/A,VYE3,VYE3/A,VZA1,VZE7,VZE7/A,VZE8,VZE8/A
8	16024-124-760	SCREW SET, DRAIN .....	-	-	1	-	-	-----	QAB,QAB/A,QAB6,QAB6/A,QAD2,QAD2/A,QAF,QAF/A,QAF1,QAF1/A,QAF2,QAF2/A,QAF5,QAF5/A,QAF6,QAF6/A,QAF7,QAF7/A,QAF8,QAF8/A,QAF9,QAF9/A,QAX1,QAX1/A,QDF,QDF/A,QDF6,QDF6/A,QDP2,QDP2/A,QDW,QDW/A,QWA6,QWA6/A,QWF6,QWF6/A,QXA,QXA/A,QXA3,QXA3/A,QXA6,QXA6/A,QXB1,QXB1/A,QXC2,QXC2/A,QXE1,QXE1/A,QXE4,QXE4/A,QXE5,QXE5/A,QXE7,QXE7/A,QXE8,QXE8/A,QXF,QXF/A,QXF3,QXF4,QXF4/A,QXF6,QXF6/A,QXF8,QXF8/A,QXW2,QXW2/A,QXW4,QXW4/A,QYA,QYA/A,QYD,QYD/A,QYF,QYF/A,QZB,QZB/A,QZB2,QZB2/A,QZB3,QZB3/A,QZD,QZD/A,QZE3,QZE3/A,QZE4,QZE4/A,QZF1,QZF1/A,QZF2,QZF2/A,QZF8,QZF8/A,QZX1,QZX1/A,QZX4,QZX4/A,QZX5,QZX5/A,SAE1,SAE1/A,SAF1,SAF1/A,TFX2,TFX2/A,VAB2,VAB2/A,VAB3,VAB3/A,VAF,VAF/A,VAF6,VAF6/A,VDB2,VDB2/A,VDC2,VDC2/A,VEP4,VEP4/A,VXA1,VXA1/A,VXA4,VXA4/A,VXA5,VXA5/A,VXA6,VXA6/A,VXD4,VXD4/A,VXE1,VXE1/A,VXE2,VXE2/A,VXE4,VXE4/A,VXE8,VXE8/A,VXF,VXF/A,VXF4,VXF4/A,VXP2,VXP2/A,VXZ4,VXZ4/A,VYA1,VYA3,VYA3/A,VYE3,VYE3/A,VZA1,VZE7,VZE7/A,VZE8,VZE8/A
9	16028-ZG8-000	SCREW SET .....	-	-	1	-	-	-----	QAB,QAB/A,QAB6,QAB6/A,QAD2,QAD2/A,QAF,QAF/A,QAF1,QAF1/A,QAF2,QAF2/A,QAF5,QAF5/A,QAF6,QAF6/A,QAF7,QAF7/A,QAF8,QAF8/A,QAF9,QAF9/A,QAX1,QAX1/A,QDF,QDF/A,QDF6,QDF6/A,QDP2,QDP2/A,QDW,QDW/A,QWA6,QWA6/A,QWF6,QWF6/A,QXA,QXA/A,QXA3,QXA3/A,QXA6,QXA6/A,QXB1,QXB1/A,QXC2,QXC2/A,QXE1,QXE1/A,QXE4,QXE4/A,QXE5,QXE5/A,QXE7,QXE7/A,QXE8,QXE8/A,QXF,QXF/A,QXF3,QXF4,QXF4/A,QXF6,QXF6/A,QXF8,QXF8/A,QXW2,QXW2/A,QXW4,QXW4/A,QYA,QYA/A,QYD,QYD/A,QYF,QYF/A,QZB,QZB/A,QZB2,QZB2/A,QZB3,QZB3/A,QZD,QZD/A,QZE3,QZE3/A,QZE4,QZE4/A,QZF1,QZF1/A,QZF2,QZF2/A,QZF8,QZF8/A,QZX1,QZX1/A,QZX4,QZX4/A,QZX5,QZX5/A,SAE1,SAE1/A,SAF1,SAF1/A,TFX2,TFX2/A,VAB2,VAB2/A,VAB3,VAB3/A,VAF,VAF/A,VAF6,VAF6/A,VDB2,VDB2/A,VDC2,VDC2/A,VEP4,VEP4/A,VXA1,VXA1/A,VXA4,VXA4/A,VXA5,VXA5/A,VXA6,VXA6/A,VXD4,VXD4/A,VXE1,VXE1/A,VXE2,VXE2/A,VXE4,VXE4/A,VXE8,VXE8/A,VXF,VXF/A,VXF4,VXF4/A,VXP2,VXP2/A,VXZ4,VXZ4/A,VYA1,VYA3,VYA3/A,VYE3,VYE3/A,VZA1,VZE7,VZE7/A,VZE8,VZE8/A





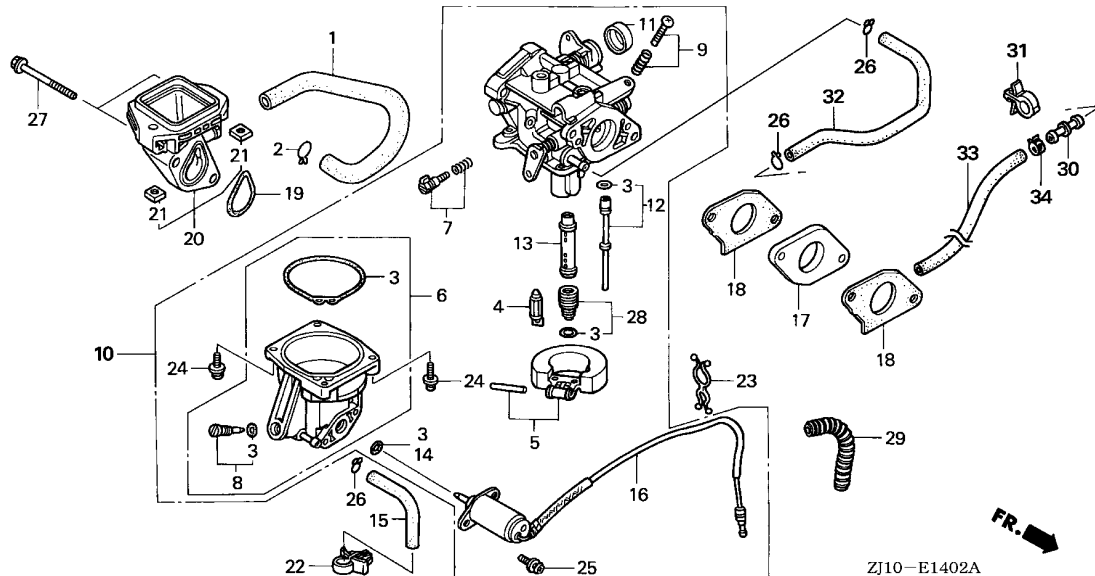
2

Ref. No.	Part No.	Description	Reqd. QTY					Serial No.	Parts catalogue code
			GX 620	GX 620	GX 620	GX 620	GX 620		
10	16100-ZJ1-841	CARBURETOR ASSY. (BG22G A)	--	--	1	--	--	-----	QAB,QAB/A,QAB6,QAB6/A,QAF,QAF/A,QAF1,QAF1/A,QAF5,QAF5/A,QAF6,QAF6/A,QAF7,QAF7/A,QAF8,QAF8/A,QAF9,QAF9/A,QDF,QDF/A,QDF6,QDF6/A,QDW,QDW/A,QWA6,QWA6/A,QWF6,QWF6/A,QXA,QXA/A,QXA3,QXA3/A,QXA6,QXA6/A,QXB1,QXB1/A,QXC2,QXC2/A,QXE1,QXE1/A,QXE5,QXE5/A,QXF,QXF/A,QXF3,QXF4,QXF4/A,QXF6,QXF6/A,QYA,QYA/A,QYD,QYD/A,QYF,QYF/A,QZB,QZB/A,QZB2,QZB2/A,QZB3,QZB3/A,QZD,QZD/A,QZE3,QZE3/A,QZE4,QZE4/A,QZF1,QZF1/A,QZF2,QZF2/A,QZF8,QZF8/A,SAE1,SAE1/A,SAF1,SAF1/A,VAF,VAF/A,VAF6,VAF6/A,VEP4,VEP4/A,VXA1,VXA1/A,VXE1,VXE1/A,VXE4,VXE4/A,VXE8,VXE8/A,VXF,VXF/A,VXF4,VXF4/A,VXP2,VXP2/A,VYA1,VYA3,VYA3/A,VYE3,VYE3/A,VZA1,VZE7,VZE7/A,VZE8,VZE8/A
	16100-ZJ1-W31	CARBURETOR ASSY. (BG22K A)	--	--	1	--	--	-----	QAX1,QAX1/A,QZX1,QZX1/A,QZX4,QZX4/A,VXZ4,VXZ4/A
	16100-ZJ1-871	CARBURETOR ASSY. (BG22M A)	--	--	1	--	--	-----	QAF2,QAF2/A,QDP2,QDP2/A,QXE4,QXE4/A,TFX2,TFX2/A
	16100-ZJ1-861	CARBURETOR ASSY. (BG22J A)	--	--	1	--	--	-----	QXE7,QXE7/A,QXE8,QXE8/A,QXF8,QXF8/A,QXW2,QXW2/A,QXW4,QXW4/A
	16100-ZJ1-W11	CARBURETOR ASSY. (BG22N A)	--	--	1	--	--	-----	VDB2,VDB2/A,VDC2,VDC2/A,VXA4,VXA4/A,VXE2,VXE2/A
	16100-ZJ1-W21	CARBURETOR ASSY. (BG22P A)	--	--	1	--	--	-----	VXA5,VXA5/A,VXA6,VXA6/A,VXD4,VXD4/A
	16100-ZJ1-911	CARBURETOR ASSY. (BG22Q A)	--	--	1	--	--	-----	QZX5,QZX5/A
	16100-ZJ1-P01	CARBURETOR ASSY. (BG22R A)	--	--	1	--	--	-----	QAD2,QAD2/A
	16100-ZJ1-R61	CARBURETOR ASSY. (BG22T A)	--	--	1	--	--	-----	VAB2,VAB2/A,VAB3,VAB3/A

Ref. No.	Part No.	Description	Reqd. QTY					Serial No.	Parts catalogue code
			GX 620	GX 620	GX 620 K1	GX 620	GX 620 K1		
			(1)	(2)	(1)	(3)	(2)		
11	16148-141-881	CAP, CHOKE DUST .....	-	-	1	-	-	QAB, QAB/A, QAB6, QAB6/A, QAD2, QAD2/A, QAF, QAF/A, QAF1, QAF1/A, QAF2, QAF2/A, QAF5, QAF5/A, QAF6, QAF6/A, QAF7, QAF7/A, QAF8, QAF8/A, QAF9, QAF9/A, QAX1, QAX1/A, QDF, QDF/A, QDF6, QDF6/A, QDP2, QDP2/A, QDW, QDW/A, QWA6, QWA6/A, QWF6, QWF6/A, QXA, QXA/A, QXA3, QXA3/A, QXA6, QXA6/A, QXB1, QXB1/A, QXC2, QXC2/A, QXE1, QXE1/A, QXE4, QXE4/A, QXE5, QXE5/A, QXE7, QXE7/A, QXE8, QXE8/A, QXF, QXF/A, QXF3, QXF4, QXF4/A, QXF6, QXF6/A, QXF8, QXF8/A, QXW2, QXW2/A, QXW4, QXW4/A, QYA, QYA/A, QYD, QYD/A, QYF, QYF/A, QZB, QZB/A, QZB2, QZB2/A, QZB3, QZB3/A, QZD, QZD/A, QZE3, QZE3/A, QZE4, QZE4/A, QZF1, QZF1/A, QZF2, QZF2/A, QZF8, QZF8/A, QZX1, QZX1/A, QZX4, QZX4/A, QZX5, QZX5/A, SAE1, SAE1/A, SAF1, SAF1/A, TXF2, TXF2/A, VAB2, VAB2/A, VAB3, VAB3/A, VAF, VAF/A, VAF6, VAF6/A, VDB2, VDB2/A, VDC2, VDC2/A, VEP4, VEP4/A, VXA1, VXA1/A, VXA4, VXA4/A, VXA5, VXA5/A, VXA6, VXA6/A, VXD4, VXD4/A, VXE1, VXE1/A, VXE2, VXE2/A, VXE4, VXE4/A, VXE8, VXE8/A, VXF, VXF/A, VXF4, VXF4/A, VXP2, VXP2/A, VXZ4, VXZ4/A, VYA1, VYA3, VYA3/A, VYE3, VYE3/A, VZA1, VZE7, VZE7/A, VZE8, VZE8/A, QAB, QAB/A, QAB6, QAB6/A, QAD2, QAD2/A, QAF, QAF/A, QAF1, QAF1/A, QAF2, QAF2/A, QAF5, QAF5/A, QAF6, QAF6/A, QAF7, QAF7/A, QAF8, QAF8/A, QAF9, QAF9/A, QAX1, QAX1/A, QDF, QDF/A, QDF6, QDF6/A, QDP2, QDP2/A, QDW, QDW/A, QWA6, QWA6/A, QWF6, QWF6/A, QXA, QXA/A, QXA3, QXA3/A, QXA6, QXA6/A, QXB1, QXB1/A, QXC2, QXC2/A, QXE1, QXE1/A, QXE4, QXE4/A, QXE5, QXE5/A, QXE7, QXE7/A, QXE8, QXE8/A, QXF, QXF/A, QXF3, QXF4, QXF4/A, QXF6, QXF6/A, QXF8, QXF8/A, QXW2, QXW2/A, QXW4, QXW4/A, QYA, QYA/A, QYD, QYD/A, QYF, QYF/A, QZB, QZB/A, QZB2, QZB2/A, QZB3, QZB3/A, QZD, QZD/A, QZE3, QZE3/A, QZE4, QZE4/A, QZF1, QZF1/A, QZF2, QZF2/A, QZF8, QZF8/A, QZX1, QZX1/A, QZX4, QZX4/A, QZX5, QZX5/A, SAE1, SAE1/A, SAF1, SAF1/A, TXF2, TXF2/A, VAB2, VAB2/A, VAB3, VAB3/A, VAF, VAF/A, VAF6, VAF6/A, VDB2, VDB2/A, VDC2, VDC2/A, VEP4, VEP4/A, VXA1, VXA1/A, VXA4, VXA4/A, VXA5, VXA5/A, VXA6, VXA6/A, VXD4, VXD4/A, VXE1, VXE1/A, VXE2, VXE2/A, VXE4, VXE4/A, VXE8, VXE8/A, VXF, VXF/A, VXF4, VXF4/A, VXP2, VXP2/A, VXZ4, VXZ4/A, VYA1, VYA3, VYA3/A, VYE3, VYE3/A, VZA1, VZE7, VZE7/A, VZE8, VZE8/A	
12	16150-ZJ1-841	JET SET, #52 .....	-	-	1	-	-	QAB, QAB/A, QAB6, QAB6/A, QAD2, QAD2/A, QAF, QAF/A, QAF1, QAF1/A, QAF2, QAF2/A, QAF5, QAF5/A, QAF6, QAF6/A, QAF7, QAF7/A, QAF8, QAF8/A, QAF9, QAF9/A, QAX1, QAX1/A, QDF, QDF/A, QDF6, QDF6/A, QDP2, QDP2/A, QDW, QDW/A, QWA6, QWA6/A, QWF6, QWF6/A, QXA, QXA/A, QXA3, QXA3/A, QXA6, QXA6/A, QXB1, QXB1/A, QXC2, QXC2/A, QXE1, QXE1/A, QXE4, QXE4/A, QXE5, QXE5/A, QXE7, QXE7/A, QXE8, QXE8/A, QXF, QXF/A, QXF3, QXF4, QXF4/A, QXF6, QXF6/A, QXF8, QXF8/A, QXW2, QXW2/A, QXW4, QXW4/A, QYA, QYA/A, QYD, QYD/A, QYF, QYF/A, QZB, QZB/A, QZB2, QZB2/A, QZB3, QZB3/A, QZD, QZD/A, QZE3, QZE3/A, QZE4, QZE4/A, QZF1, QZF1/A, QZF2, QZF2/A, QZF8, QZF8/A, QZX1, QZX1/A, QZX4, QZX4/A, QZX5, QZX5/A, SAE1, SAE1/A, SAF1, SAF1/A, TXF2, TXF2/A, VAB2, VAB2/A, VAB3, VAB3/A, VAF, VAF/A, VAF6, VAF6/A, VDB2, VDB2/A, VDC2, VDC2/A, VEP4, VEP4/A, VXA1, VXA1/A, VXA4, VXA4/A, VXA5, VXA5/A, VXA6, VXA6/A, VXD4, VXD4/A, VXE1, VXE1/A, VXE2, VXE2/A, VXE4, VXE4/A, VXE8, VXE8/A, VXF, VXF/A, VXF4, VXF4/A, VXP2, VXP2/A, VXZ4, VXZ4/A, VYA1, VYA3, VYA3/A, VYE3, VYE3/A, VZA1, VZE7, VZE7/A, VZE8, VZE8/A	
13	16166-ZJ0-000	NOZZLE, MAIN .....	-	-	1	-	-	QAB, QAB/A, QAB6, QAB6/A, QAD2, QAD2/A, QAF, QAF/A, QAF1, QAF1/A, QAF5, QAF5/A, QAF6, QAF6/A, QAF7, QAF7/A, QAF8, QAF8/A, QAF9, QAF9/A, QAX1, QAX1/A, QDF, QDF/A, QDF6, QDF6/A, QDW, QDW/A, QWA6, QWA6/A, QWF6, QWF6/A, QXA, QXA/A, QXA3, QXA3/A, QXA6, QXA6/A, QXB1, QXB1/A, QXC2, QXC2/A, QXE1, QXE1/A, QXE5, QXE5/A, QXF, QXF/A, QXF3, QXF4, QXF4/A, QXF6, QXF6/A, QYA, QYA/A, QYD, QYD/A, QYF, QYF/A, QZB, QZB/A, QZB2, QZB2/A, QZB3, QZB3/A, QZD, QZD/A, QZE3, QZE3/A, QZE4, QZE4/A, QZF1, QZF1/A, QZF2, QZF2/A, QZF8, QZF8/A, QZX1, QZX1/A, QZX4, QZX4/A, QZX5, QZX5/A, SAE1, SAE1/A, SAF1, SAF1/A, VAB2, VAB2/A, VAB3, VAB3/A, VAF, VAF/A, VAF6, VAF6/A, VDB2, VDB2/A, VDC2, VDC2/A, VEP4, VEP4/A, VXA1, VXA1/A, VXA4, VXA4/A, VXA5, VXA5/A, VXA6, VXA6/A, VXD4, VXD4/A, VXE1, VXE1/A, VXE2, VXE2/A, VXE4, VXE4/A, VXE8, VXE8/A, VXF, VXF/A, VXF4, VXF4/A, VXP2, VXP2/A, VXZ4, VXZ4/A, VYA1, VYA3, VYA3/A, VYE3, VYE3/A, VZA1, VZE7, VZE7/A, VZE8, VZE8/A	
	16166-ZJ1-861	.....	-	-	1	-	-	QXE7, QXE7/A, QXE8, QXE8/A, QXF8, QXF8/A, QXW2, QXW2/A, QXW4, QXW4/A	
	16166-ZJ1-871	.....	-	-	1	-	-	QAF2, QAF2/A, QDP2, QDP2/A, QXE4, QXE4/A, TXF2, TXF2/A	





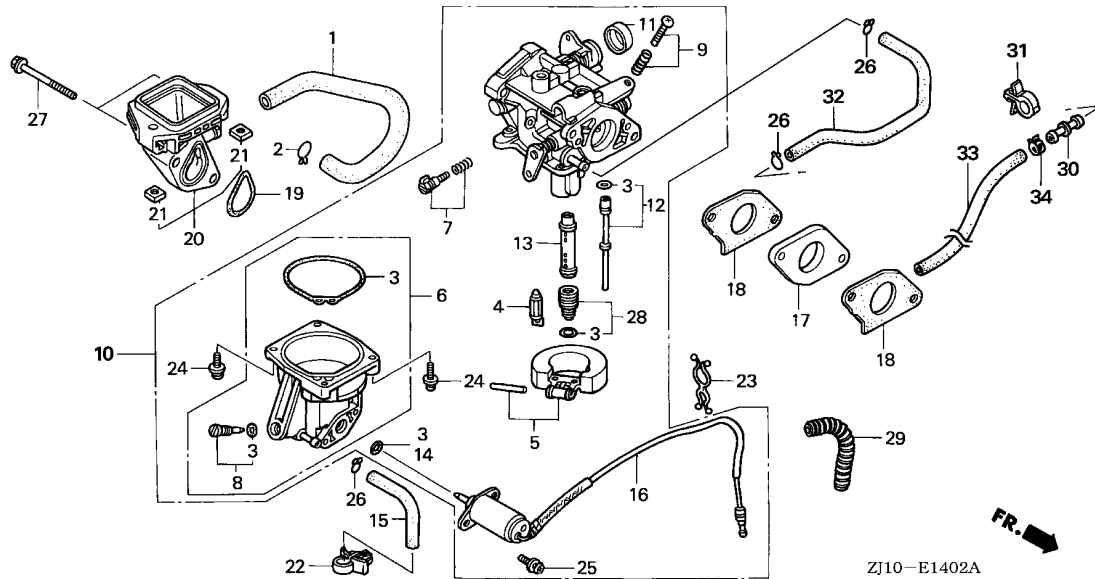


2

Ref. No.	Part No.	Description	Reqd. QTY					Serial No.	Parts catalogue code
			GX 620	GX 620	GX 620	GX 620	GX 620		
14	16178-548-004	O-RING, 5.8X1.9 .....	-	-	1	-	-	-----	QAB,QAB/A,QAB6,QAB6/A,QAD2,QAD2/A,QAF,QAF/A,QAF1,QAF1/A,QAF2,QAF2/A,QAF5,QAF5/A,QAF6,QAF6/A,QAF7,QAF7/A,QAF8,QAF8/A,QAF9,QAF9/A,QDF,QDF/A,QDF6,QDF6/A,QDP2,QDP2/A,QDW,QDW/A,QWA6,QWA6/A,QWF6,QWF6/A,QXA,QXA/A,QXA3,QXA3/A,QXA6,QXA6/A,QXB1,QXB1/A,QXC2,QXC2/A,QXE1,QXE1/A,QXE4,QXE4/A,QXE5,QXE5/A,QXE7,QXE7/A,QXE8,QXE8/A,QXF,QXF/A,QXF3,QXF4,QXF4/A,QXF6,QXF6/A,QXF8,QXF8/A,QXW2,QXW2/A,QXW4,QXW4/A,QYA,QYA/A,QYD,QYD/A,QYF,QYF/A,QZB,QZB/A,QZB2,QZB2/A,QZB3,QZB3/A,QZD,QZD/A,QZE3,QZE3/A,QZE4,QZE4/A,QZF1,QZF1/A,QZF2,QZF2/A,QZF8,QZF8/A,SAE1,SAE1/A,SAF1,SAF1/A,TXF2,TXF2/A,VAB2,VAB2/A,VAB3,VAB3/A,VAF,VAF/A,VAF6,VAF6/A,VDB2,VDB2/A,VDC2,VDC2/A,VEP4,VEP4/A,VXA1,VXA1/A,VXA4,VXA4/A,VXA5,VXA5/A,VXA6,VXA6/A,VXD4,VXD4/A,VXE1,VXE1/A,VXE2,VXE2/A,VXE4,VXE4/A,VXE8,VXE8/A,VXF,VXF/A,VXF4,VXF4/A,VXP2,VXP2/A,VYA1,VYA3,VYA3/A,VYE3,VYE3/A,VZA1,VZE7,VZE7/A,VZE8,VZE8/A,QZX5,QZX5/A
	16178-ZJ0-911	O-RING .....	-	-	1	-	-	-----	

Ref. No.	Part No.	Description	Reqd. QTY					Serial No.	Parts catalogue code
			GX 620	GX 620	GX 620 K1	GX 620	GX 620 K1		
			(1)	(2)	(1)	(3)	(2)		
15	16198-ZJ1-840	TUBE, DRAIN .....	-	-	1	-	-	-----	QAB, QAB/A, QAB6, QAB6/A, QAD2, QAD2/A, QAF, QAF/A, QAF1, QAF1/A, QAF2, QAF2/A, QAF5, QAF5/A, QAF6, QAF6/A, QAF7, QAF7/A, QAF8, QAF8/A, QAF9, QAF9/A, QAX1, QAX1/A, QDF, QDF/A, QDF6, QDF6/A, QDP2, QDP2/A, QDW, QDW/A, QWA6, QWA6/A, QWF6, QWF6/A, QXA, QXA/A, QXA3, QXA3/A, QXA6, QXA6/A, QXB1, QXB1/A, QXC2, QXC2/A, QXE1, QXE1/A, QXE4, QXE4/A, QXE5, QXE5/A, QXE7, QXE7/A, QXE8, QXE8/A, QXF, QXF/A, QXF3, QXF4, QXF4/A, QXF6, QXF6/A, QXF8, QXF8/A, QXW2, QXW2/A, QXW4, QXW4/A, QYA, QYA/A, QYD, QYD/A, QYF, QYF/A, QZB, QZB/A, QZB2, QZB2/A, QZB3, QZB3/A, QZD, QZD/A, QZE3, QZE3/A, QZE4, QZE4/A, QZF1, QZF1/A, QZF2, QZF2/A, QZF8, QZF8/A, QZX1, QZX1/A, QZX4, QZX4/A, QZX5, QZX5/A, SAE1, SAE1/A, SAF1, SAF1/A, TXF2, TXF2/A, VAB2, VAB2/A, VAB3, VAB3/A, VAF, VAF/A, VAF6, VAF6/A, VDB2, VDB2/A, VDC2, VDC2/A, VEP4, VEP4/A, VXA1, VXA1/A, VXA4, VXA4/A, VXA5, VXA5/A, VXA6, VXA6/A, VXD4, VXD4/A, VXE1, VXE1/A, VXE2, VXE2/A, VXE4, VXE4/A, VXE8, VXE8/A, VXF, VXF/A, VXF4, VXF4/A, VXP2, VXP2/A, VXZ4, VXZ4/A, VYA1, VYA3, VYA3/A, VYE3, VYE3/A, VZA1, VZE7, VZE7/A, VZE8, VZE8/A
16	16200-ZJ0-841 16200-ZJ1-841	VALVE ASSY., SOLENOID .....	-	-	1	-	-	-----	QZX5, QZX5/A QAB, QAB/A, QAB6, QAB6/A, QAD2, QAD2/A, QAF, QAF/A, QAF1, QAF1/A, QAF2, QAF2/A, QAF5, QAF5/A, QAF6, QAF6/A, QAF7, QAF7/A, QAF8, QAF8/A, QAF9, QAF9/A, QDF, QDF/A, QDF6, QDF6/A, QDP2, QDP2/A, QDW, QDW/A, QWA6, QWA6/A, QWF6, QWF6/A, QXA, QXA/A, QXA3, QXA3/A, QXA6, QXA6/A, QXB1, QXB1/A, QXC2, QXC2/A, QXE1, QXE1/A, QXE4, QXE4/A, QXE5, QXE5/A, QXE7, QXE7/A, QXE8, QXE8/A, QXF, QXF/A, QXF3, QXF4, QXF4/A, QXF6, QXF6/A, QXF8, QXF8/A, QXW2, QXW2/A, QXW4, QXW4/A, QYA, QYA/A, QYD, QYD/A, QYF, QYF/A, QZB, QZB/A, QZB2, QZB2/A, QZB3, QZB3/A, QZD, QZD/A, QZE3, QZE3/A, QZE4, QZE4/A, QZF1, QZF1/A, QZF2, QZF2/A, QZF8, QZF8/A, SAE1, SAE1/A, SAF1, SAF1/A, TXF2, TXF2/A, VAB2, VAB2/A, VAB3, VAB3/A, VAF, VAF/A, VAF6, VAF6/A, VDB2, VDB2/A, VDC2, VDC2/A, VEP4, VEP4/A, VXA1, VXA1/A, VXA4, VXA4/A, VXA5, VXA5/A, VXA6, VXA6/A, VXD4, VXD4/A, VXE1, VXE1/A, VXE2, VXE2/A, VXE4, VXE4/A, VXE8, VXE8/A, VXF, VXF/A, VXF4, VXF4/A, VXP2, VXP2/A, VYA1, VYA3, VYA3/A, VYE3, VYE3/A, VZA1, VZE7, VZE7/A, VZE8, VZE8/A
17	16211-ZJ0-830	INSULATOR, CARBURETOR .....	-	-	1	-	-	-----	QAB, QAB/A, QAB6, QAB6/A, QAD2, QAD2/A, QAF, QAF/A, QAF1, QAF1/A, QAF2, QAF2/A, QAF5, QAF5/A, QAF6, QAF6/A, QAF7, QAF7/A, QAF8, QAF8/A, QAF9, QAF9/A, QAX1, QAX1/A, QDF, QDF/A, QDF6, QDF6/A, QDW, QDW/A, QWA6, QWA6/A, QWF6, QWF6/A, QXA, QXA/A, QXA3, QXA3/A, QXA6, QXA6/A, QXB1, QXB1/A, QXC2, QXC2/A, QXE1, QXE1/A, QXE4, QXE4/A, QXE5, QXE5/A, QXE7, QXE7/A, QXE8, QXE8/A, QXF, QXF/A, QXF3, QXF4, QXF4/A, QXF6, QXF6/A, QXF8, QXF8/A, QXW2, QXW2/A, QXW4, QXW4/A, QYA, QYA/A, QYD, QYD/A, QYF, QYF/A, QZB, QZB/A, QZB2, QZB2/A, QZB3, QZB3/A, QZD, QZD/A, QZE3, QZE3/A, QZE4, QZE4/A, QZF1, QZF1/A, QZF2, QZF2/A, QZF8, QZF8/A, QZX1, QZX1/A, QZX4, QZX4/A, QZX5, QZX5/A, SAE1, SAE1/A, SAF1, SAF1/A, TXF2, TXF2/A, VAB2, VAB2/A, VAF, VAF/A, VAF6, VAF6/A, VDB2, VDB2/A, VDC2, VDC2/A, VEP4, VEP4/A, VXA1, VXA1/A, VXA4, VXA4/A, VXA5, VXA5/A, VXA6, VXA6/A, VXD4, VXD4/A, VXE1, VXE1/A, VXE2, VXE2/A, VXE4, VXE4/A, VXE8, VXE8/A, VXF, VXF/A, VXF4, VXF4/A, VXP2, VXP2/A, VYA1, VYA3, VYA3/A, VYE3, VYE3/A, VZA1, VZE7, VZE7/A, VZE8, VZE8/A
	16211-ZJ0-841	.....	-	-	1	-	-	-----	VAB3, VAB3/A
	16211-ZJ1-000	.....	-	-	1	-	-	-----	QDP2, QDP2/A



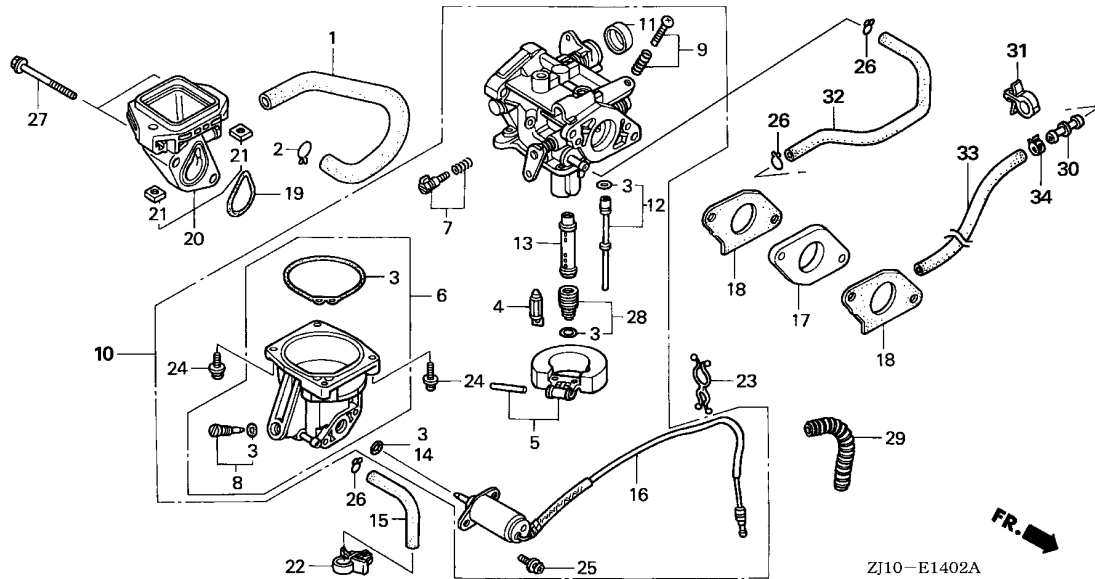


2

Ref. No.	Part No.	Description	Reqd. QTY					Serial No.	Parts catalogue code
			GX 620	GX 620	GX 620	GX 620	GX 620		
18	16221-ZJ1-840	PACKING, CARBURETOR .....	-	-	2	-	-	-----	QAB,QAB/A,QAB6,QAB6/A,QAD2,QAD2/A,QAF,QAF/A,QAF1,QAF1/A,QAF2,QAF2/A,QAF5,QAF5/A,QAF6,QAF6/A,QAF7,QAF7/A,QAF8,QAF8/A,QAF9,QAF9/A,QAX1,QAX1/A,QDF,QDF/A,QDF6,QDF6/A,QDW,QDW/A,QWA6,QWA6/A,QWF6,QWF6/A,QXA,QXA/A,QXA3,QXA3/A,QXA6,QXA6/A,QXB1,QXB1/A,QXC2,QXC2/A,QXE1,QXE1/A,QXE4,QXE4/A,QXE5,QXE5/A,QXE7,QXE7/A,QXE8,QXE8/A,QXF,QXF/A,QXF3,QXF4,QXF4/A,QXF6,QXF6/A,QXF8,QXF8/A,QXW2,QXW2/A,QXW4,QXW4/A,QYA,QYA/A,QYD,QYD/A,QYF,QYF/A,QZB,QZB/A,QZB2,QZB2/A,QZB3,QZB3/A,QZD,QZD/A,QZE3,QZE3/A,QZE4,QZE4/A,QZF1,QZF1/A,QZF2,QZF2/A,QZF8,QZF8/A,QZX1,QZX1/A,QZX4,QZX4/A,QZX5,QZX5/A,SAE1,SAE1/A,SAF1,SAF1/A,TFX2,TFX2/A,VAB2,VAB2/A,VAB3,VAB3/A,VAF,VAF/A,VAF6,VAF6/A,VDB2,VDB2/A,VDC2,VDC2/A,VEP4,VEP4/A,VXA1,VXA1/A,VXA4,VXA4/A,VXA5,VXA5/A,VXA6,VXA6/A,VXD4,VXD4/A,VXE1,VXE1/A,VXE2,VXE2/A,VXE4,VXE4/A,VXE8,VXE8/A,VXF,VXF/A,VXF4,VXF4/A,VXP2,VXP2/A,VXZ4,VXZ4/A,VYA1,VYA3,VYA3/A,VYE3,VYE3/A,VZA1,VZE7,VZE7/A,VZE8,VZE8/A,QDP2,QDP2/A
	16221-ZG8-000	.....	-	-	2	-	-	-----	

Ref. No.	Part No.	Description	Reqd. QTY					Serial No.	Parts catalogue code
			GX 620	GX 620	GX 620 K1	GX 620	GX 620 K1		
			(1)	(2)	(1)	(3)	(2)		
19	17228-ZG8-003	PACKING, AIR CLEANER .....	-	-	1	-	-	-----	QAB, QAB/A, QAB6, QAB6/A, QAD2, QAD2/A, QAF, QAF/A, QAF1, QAF1/A, QAF2, QAF2/A, QAF5, QAF5/A, QAF6, QAF6/A, QAF7, QAF7/A, QAF8, QAF8/A, QAF9, QAF9/A, QAX1, QAX1/A, QDF, QDF/A, QDF6, QDF6/A, QDP2, QDP2/A, QDW, QDW/A, QWA6, QWA6/A, QWF6, QWF6/A, QXA, QXA/A, QXA3, QXA3/A, QXA6, QXA6/A, QXB1, QXB1/A, QXC2, QXC2/A, QXE1, QXE1/A, QXE4, QXE4/A, QXE5, QXE5/A, QXE7, QXE7/A, QXE8, QXE8/A, QXF, QXF/A, QXF3, QXF4, QXF4/A, QXF6, QXF6/A, QXF8, QXF8/A, QXW2, QXW2/A, QXW4, QXW4/A, QYA, QYA/A, QYD, QYD/A, QYF, QYF/A, QZB, QZB/A, QZB2, QZB2/A, QZB3, QZB3/A, QZD, QZD/A, QZE3, QZE3/A, QZE4, QZE4/A, QZF1, QZF1/A, QZF2, QZF2/A, QZF8, QZF8/A, QZX1, QZX1/A, QZX4, QZX4/A, QZX5, QZX5/A, SAE1, SAE1/A, SAF1, SAF1/A, TXF2, TXF2/A, VAB2, VAB2/A, VAB3, VAB3/A, VAF, VAF/A, VAF6, VAF6/A, VDB2, VDB2/A, VDC2, VDC2/A, VEP4, VEP4/A, VXA1, VXA1/A, VXA4, VXA4/A, VXA5, VXA5/A, VXA6, VXA6/A, VXD4, VXD4/A, VXE1, VXE1/A, VXE2, VXE2/A, VXE4, VXE4/A, VXE8, VXE8/A, VXF, VXF/A, VXF4, VXF4/A, VXP2, VXP2/A, VXZ4, VXZ4/A, VYA1, VYA3, VYA3/A, VYE3, VYE3/A, VZA1, VZE7, VZE7/A, VZE8, VZE8/A
20	17410-ZJ1-840	ELBOW COMP., AIR CLEANER .....	-	-	1	-	-	-----	QAB, QAB/A, QAB6, QAB6/A, QAD2, QAD2/A, QAF, QAF/A, QAF1, QAF1/A, QAF2, QAF2/A, QAF5, QAF5/A, QAF6, QAF6/A, QAF7, QAF7/A, QAF8, QAF8/A, QAF9, QAF9/A, QAX1, QAX1/A, QDF, QDF/A, QDF6, QDF6/A, QDP2, QDP2/A, QDW, QDW/A, QWA6, QWA6/A, QWF6, QWF6/A, QXA, QXA/A, QXA3, QXA3/A, QXA6, QXA6/A, QXB1, QXB1/A, QXC2, QXC2/A, QXE1, QXE1/A, QXE4, QXE4/A, QXE5, QXE5/A, QXE7, QXE7/A, QXE8, QXE8/A, QXF, QXF/A, QXF3, QXF4, QXF4/A, QXF6, QXF6/A, QXF8, QXF8/A, QXW2, QXW2/A, QXW4, QXW4/A, QYA, QYA/A, QYD, QYD/A, QYF, QYF/A, QZB, QZB/A, QZB2, QZB2/A, QZB3, QZB3/A, QZD, QZD/A, QZE3, QZE3/A, QZE4, QZE4/A, QZF1, QZF1/A, QZF2, QZF2/A, QZF8, QZF8/A, QZX1, QZX1/A, QZX4, QZX4/A, QZX5, QZX5/A, SAE1, SAE1/A, SAF1, SAF1/A, TXF2, TXF2/A, VAB2, VAB2/A, VAB3, VAB3/A, VAF, VAF/A, VAF6, VAF6/A, VDB2, VDB2/A, VDC2, VDC2/A, VEP4, VEP4/A, VXA1, VXA1/A, VXA4, VXA4/A, VXA5, VXA5/A, VXA6, VXA6/A, VXD4, VXD4/A, VXE1, VXE1/A, VXE2, VXE2/A, VXE4, VXE4/A, VXE8, VXE8/A, VXF, VXF/A, VXF4, VXF4/A, VXP2, VXP2/A, VXZ4, VXZ4/A, VYA1, VYA3, VYA3/A, VYE3, VYE3/A, VZA1, VZE7, VZE7/A, VZE8, VZE8/A
21	90314-ZJ1-840	NUT, INSERT, 6MM .....	-	-	2	-	-	-----	QAB, QAB/A, QAB6, QAB6/A, QAD2, QAD2/A, QAF, QAF/A, QAF1, QAF1/A, QAF2, QAF2/A, QAF5, QAF5/A, QAF6, QAF6/A, QAF7, QAF7/A, QAF8, QAF8/A, QAF9, QAF9/A, QAX1, QAX1/A, QDF, QDF/A, QDF6, QDF6/A, QDP2, QDP2/A, QDW, QDW/A, QWA6, QWA6/A, QWF6, QWF6/A, QXA, QXA/A, QXA3, QXA3/A, QXA6, QXA6/A, QXB1, QXB1/A, QXC2, QXC2/A, QXE1, QXE1/A, QXE4, QXE4/A, QXE5, QXE5/A, QXE7, QXE7/A, QXE8, QXE8/A, QXF, QXF/A, QXF3, QXF4, QXF4/A, QXF6, QXF6/A, QXF8, QXF8/A, QXW2, QXW2/A, QXW4, QXW4/A, QYA, QYA/A, QYD, QYD/A, QYF, QYF/A, QZB, QZB/A, QZB2, QZB2/A, QZB3, QZB3/A, QZD, QZD/A, QZE3, QZE3/A, QZE4, QZE4/A, QZF1, QZF1/A, QZF2, QZF2/A, QZF8, QZF8/A, QZX1, QZX1/A, QZX4, QZX4/A, QZX5, QZX5/A, SAE1, SAE1/A, SAF1, SAF1/A, TXF2, TXF2/A, VAB2, VAB2/A, VAB3, VAB3/A, VAF, VAF/A, VAF6, VAF6/A, VDB2, VDB2/A, VDC2, VDC2/A, VEP4, VEP4/A, VXA1, VXA1/A, VXA4, VXA4/A, VXA5, VXA5/A, VXA6, VXA6/A, VXD4, VXD4/A, VXE1, VXE1/A, VXE2, VXE2/A, VXE4, VXE4/A, VXE8, VXE8/A, VXF, VXF/A, VXF4, VXF4/A, VXP2, VXP2/A, VXZ4, VXZ4/A, VYA1, VYA3, VYA3/A, VYE3, VYE3/A, VZA1, VZE7, VZE7/A, VZE8, VZE8/A



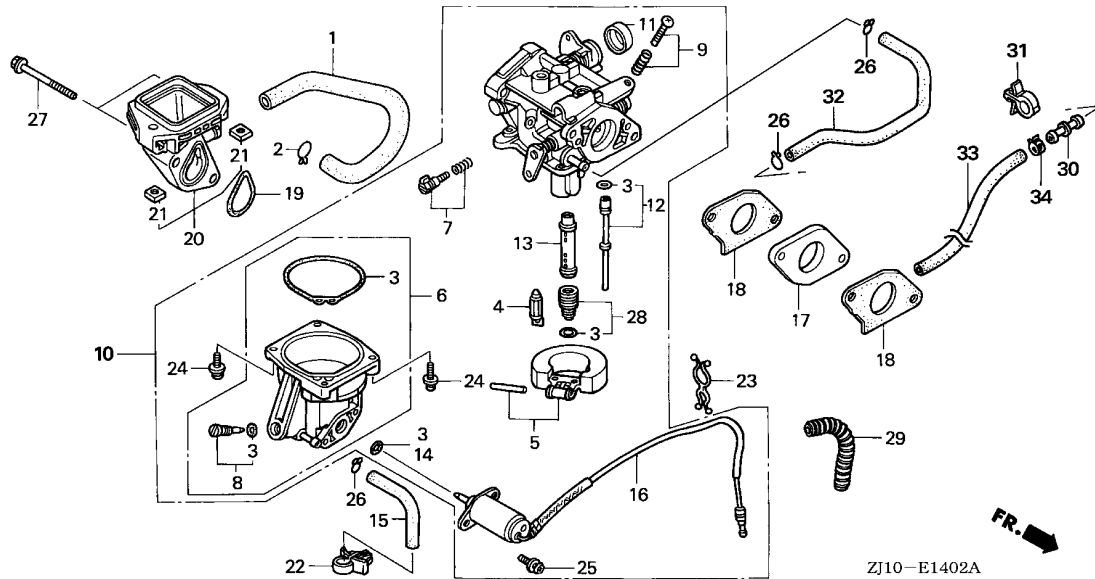


2

Ref. No.	Part No.	Description	Reqd. QTY					Serial No.	Parts catalogue code
			GX 620	GX 620	GX 620	GX 620	GX 620		
22	90682-959-661	CLIP B, CABLE .....	(1)	(2)	(1)	(3)	(2)	-----	QAB,QAB/A,QAB6,QAB6/A,QAD2,QAD2/A,QAF,QAF/A,QAF1,QAF1/A,QAF2,QAF2/A,QAF5,QAF5/A,QAF6,QAF6/A,QAF7,QAF7/A,QAF8,QAF8/A,QAF9,QAF9/A,QAX1,QAX1/A,QDF,QDF/A,QDF6,QDF6/A,QDP2,QDP2/A,QDW,QDW/A,QWA6,QWA6/A,QWF6,QWF6/A,QXA,QXA/A,QXA3,QXA3/A,QXA6,QXA6/A,QXB1,QXB1/A,QXC2,QXC2/A,QXE1,QXE1/A,QXE4,QXE4/A,QXE5,QXE5/A,QXE7,QXE7/A,QXE8,QXE8/A,QXF,QXF/A,QXF3,QXF4,QXF4/A,QXF6,QXF6/A,QXF8,QXF8/A,QXW2,QXW2/A,QXW4,QXW4/A,QYA,QYA/A,QYD,QYD/A,QYF,QYF/A,QZB,QZB/A,QZB2,QZB2/A,QZB3,QZB3/A,QZD,QZD/A,QZE3,QZE3/A,QZE4,QZE4/A,QZF1,QZF1/A,QZF2,QZF2/A,QZF8,QZF8/A,QZX1,QZX1/A,QZX4,QZX4/A,QZX5,QZX5/A,SAE1,SAE1/A,SAF1,SAF1/A,TFX2,TFX2/A,VAB2,VAB2/A,VAB3,VAB3/A,VAF,VAF/A,VAF6,VAF6/A,VDB2,VDB2/A,VDC2,VDC2/A,VEP4,VEP4/A,VXA1,VXA1/A,VXA4,VXA4/A,VXA5,VXA5/A,VXA6,VXA6/A,VXD4,VXD4/A,VXE1,VXE1/A,VXE2,VXE2/A,VXE4,VXE4/A,VXE8,VXE8/A,VXF,VXF/A,VXF4,VXF4/A,VXP2,VXP2/A,VXZ4,VXZ4/A,VYA1,VYA3,VYA3/A,VYE3,VYE3/A,VZA1,VZE7,VZE7/A,VZE8,VZE8/A

Ref. No.	Part No.	Description	Reqd. QTY					Serial No.	Parts catalogue code
			GX 620	GX 620	GX 620 K1	GX 620	GX 620 K1		
23	91402-ZJ1-841	CLIP, PURSE LOCK .....	(1)	(2)	(1)	(3)	(2)	-----	QAB,QAB/A,QAB6,QAB6/A,QAD2,QAD2/A,QAF,QAF/A,QAF1,QAF1/A,QAF2,QAF2/A,QAF5,QAF5/A,QAF6,QAF6/A,QAF7,QAF7/A,QAF8,QAF8/A,QAF9,QAF9/A,QDF,QDF/A,QDF6,QDF6/A,QDP2,QDP2/A,QDW,QDW/A,QWA6,QWA6/A,QWF6,QWF6/A,QXA,QXA/A,QXA3,QXA3/A,QXA6,QXA6/A,QXB1,QXB1/A,QXC2,QXC2/A,QXE1,QXE1/A,QXE4,QXE4/A,QXE5,QXE5/A,QXE7,QXE7/A,QXE8,QXE8/A,QXF,QXF/A,QXF3,QXF4,QXF4/A,QXF6,QXF6/A,QXF8,QXF8/A,QXW2,QXW2/A,QXW4,QXW4/A,QYA,QYA/A,QYD,QYD/A,QYF,QYF/A,QZB,QZB/A,QZB2,QZB2/A,QZB3,QZB3/A,QZD,QZD/A,QZE3,QZE3/A,QZE4,QZE4/A,QZF1,QZF1/A,QZF2,QZF2/A,QZF8,QZF8/A,QZX5,QZX5/A,SAE1,SAE1/A,SAF1,SAF1/A,TXF2,TXF2/A,VAB2,VAB2/A,VAB3,VAB3/A,VAF,VAF/A,VAF6,VAF6/A,VDB2,VDB2/A,VDC2,VDC2/A,VEP4,VEP4/A,VXA1,VXA1/A,VXA4,VXA4/A,VXA5,VXA5/A,VXA6,VXA6/A,VXD4,VXD4/A,VXE1,VXE1/A,VXE2,VXE2/A,VXE4,VXE4/A,VXE8,VXE8/A,VXF,VXF/A,VXF4,VXF4/A,VXP2,VXP2/A,VYA1,VYA3,VYA3/A,VYE3,VYE3/A,VZA1,VZE7,VZE7/A,VZE8,VZE8/A
24	93892-04014-18	SCREW-WASHER, 4X14 .....	-	-	4	-	-	-----	QAB,QAB/A,QAB6,QAB6/A,QAD2,QAD2/A,QAF,QAF/A,QAF1,QAF1/A,QAF2,QAF2/A,QAF5,QAF5/A,QAF6,QAF6/A,QAF7,QAF7/A,QAF8,QAF8/A,QAF9,QAF9/A,QAX1,QAX1/A,QDF,QDF/A,QDF6,QDF6/A,QDP2,QDP2/A,QDW,QDW/A,QWA6,QWA6/A,QWF6,QWF6/A,QXA,QXA/A,QXA3,QXA3/A,QXA6,QXA6/A,QXB1,QXB1/A,QXC2,QXC2/A,QXE1,QXE1/A,QXE4,QXE4/A,QXE5,QXE5/A,QXE7,QXE7/A,QXE8,QXE8/A,QXF,QXF/A,QXF3,QXF4,QXF4/A,QXF6,QXF6/A,QXF8,QXF8/A,QXW2,QXW2/A,QXW4,QXW4/A,QYA,QYA/A,QYD,QYD/A,QYF,QYF/A,QZB,QZB/A,QZB2,QZB2/A,QZB3,QZB3/A,QZD,QZD/A,QZE3,QZE3/A,QZE4,QZE4/A,QZF1,QZF1/A,QZF2,QZF2/A,QZF8,QZF8/A,QZX1,QZX1/A,QZX4,QZX4/A,QZX5,QZX5/A,SAE1,SAE1/A,SAF1,SAF1/A,TXF2,TXF2/A,VAB2,VAB2/A,VAB3,VAB3/A,VAF,VAF/A,VAF6,VAF6/A,VDB2,VDB2/A,VDC2,VDC2/A,VEP4,VEP4/A,VXA1,VXA1/A,VXA4,VXA4/A,VXA5,VXA5/A,VXA6,VXA6/A,VXD4,VXD4/A,VXE1,VXE1/A,VXE2,VXE2/A,VXE4,VXE4/A,VXE8,VXE8/A,VXF,VXF/A,VXF4,VXF4/A,VXP2,VXP2/A,VXZ4,VXZ4/A,VYA1,VYA3,VYA3/A,VYE3,VYE3/A,VZA1,VZE7,VZE7/A,VZE8,VZE8/A
25	93892-05012-18	SCREW-WASHER, 5X12 .....	-	-	2	-	-	-----	QAB,QAB/A,QAB6,QAB6/A,QAD2,QAD2/A,QAF,QAF/A,QAF1,QAF1/A,QAF2,QAF2/A,QAF5,QAF5/A,QAF6,QAF6/A,QAF7,QAF7/A,QAF8,QAF8/A,QAF9,QAF9/A,QDF,QDF/A,QDF6,QDF6/A,QDP2,QDP2/A,QDW,QDW/A,QWA6,QWA6/A,QWF6,QWF6/A,QXA,QXA/A,QXA3,QXA3/A,QXA6,QXA6/A,QXB1,QXB1/A,QXC2,QXC2/A,QXE1,QXE1/A,QXE4,QXE4/A,QXE5,QXE5/A,QXE7,QXE7/A,QXE8,QXE8/A,QXF,QXF/A,QXF3,QXF4,QXF4/A,QXF6,QXF6/A,QXF8,QXF8/A,QXW2,QXW2/A,QXW4,QXW4/A,QYA,QYA/A,QYD,QYD/A,QYF,QYF/A,QZB,QZB/A,QZB2,QZB2/A,QZB3,QZB3/A,QZD,QZD/A,QZE3,QZE3/A,QZE4,QZE4/A,QZF1,QZF1/A,QZF2,QZF2/A,QZF8,QZF8/A,QZX5,QZX5/A,SAE1,SAE1/A,SAF1,SAF1/A,TXF2,TXF2/A,VAB2,VAB2/A,VAB3,VAB3/A,VAF,VAF/A,VAF6,VAF6/A,VDB2,VDB2/A,VDC2,VDC2/A,VEP4,VEP4/A,VXA1,VXA1/A,VXA4,VXA4/A,VXA5,VXA5/A,VXA6,VXA6/A,VXD4,VXD4/A,VXE1,VXE1/A,VXE2,VXE2/A,VXE4,VXE4/A,VXE8,VXE8/A,VXF,VXF/A,VXF4,VXF4/A,VXP2,VXP2/A,VXZ4,VXZ4/A,VYA1,VYA3,VYA3/A,VYE3,VYE3/A,VZA1,VZE7,VZE7/A,VZE8,VZE8/A





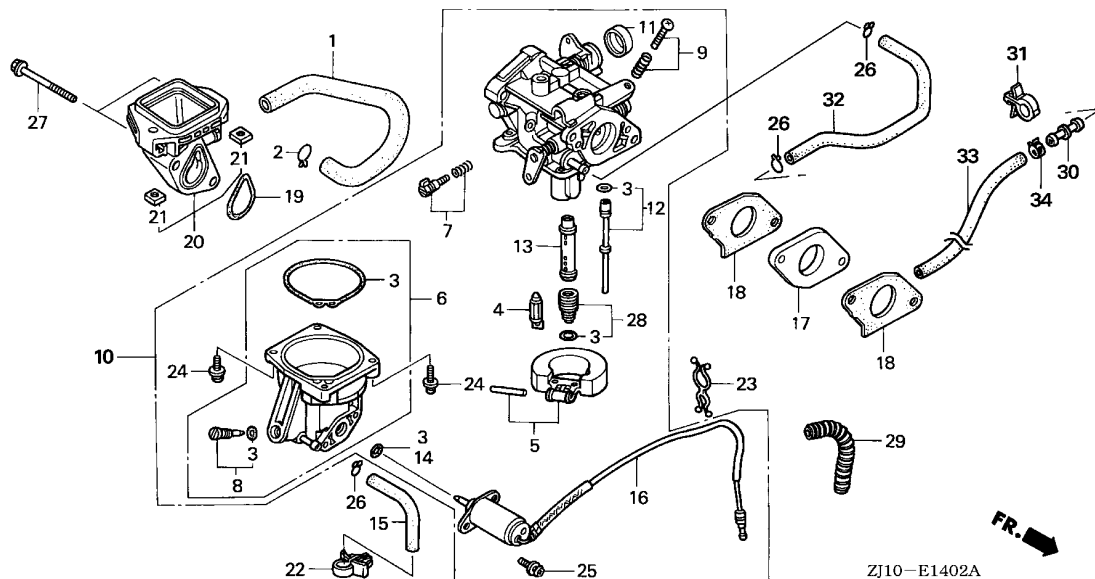
2

Ref. No.	Part No.	Description	Reqd. QTY					Serial No.	Parts catalogue code
			GX 620	GX 620	GX 620	GX 620	GX 620		
26	95002-02080	CLIP, TUBE (B8)	(1)	(2)	(1)	(3)	(2)	-----	QAB,QAB/A,QAB6,QAB6/A,QAD2,QAD2/A,QAF,QAF/A,QAF1,QAF1/A,QAF2,QAF2/A,QAF5,QAF5/A,QAF6,QAF6/A,QAF7,QAF7/A,QAF8,QAF8/A,QAF9,QAF9/A,QAX1,QAX1/A,QDF,QDF/A,QDF6,QDF6/A,QDP2,QDP2/A,QDW,QDW/A,QWA6,QWA6/A,QWF6,QWF6/A,QXA,QXA/A,QXA3,QXA3/A,QXA6,QXA6/A,QXB1,QXB1/A,QXC2,QXC2/A,QXE1,QXE1/A,QXE4,QXE4/A,QXE5,QXE5/A,QXE7,QXE7/A,QXE8,QXE8/A,QXF,QXF/A,QXF3,QXF4,QXF4/A,QXF6,QXF6/A,QXF8,QXF8/A,QXW2,QXW2/A,QXW4,QXW4/A,QYA,QYA/A,QYF,QYF/A,QZB,QZB/A,QZB2,QZB2/A,QZB3,QZB3/A,QZD,QZD/A,QZE3,QZE3/A,QZE4,QZE4/A,QZF1,QZF1/A,QZF2,QZF2/A,QZF8,QZF8/A,QZX1,QZX1/A,QZX4,QZX4/A,QZX5,QZX5/A,SAE1,SAE1/A,SAF1,SAF1/A,TFX2,TFX2/A,VAB2,VAB2/A,VAB3,VAB3/A,VAF,VAF/A,VAF6,VAF6/A,VDB2,VDB2/A,VDC2,VDC2/A,VEP4,VEP4/A,VXA1,VXA1/A,VXA4,VXA4/A,VXA5,VXA5/A,VXA6,VXA6/A,VXD4,VXD4/A,VXE1,VXE1/A,VXE2,VXE2/A,VXE4,VXE4/A,VXE8,VXE8/A,VXF,VXF/A,VXF4,VXF4/A,VXP2,VXP2/A,VXZ4,VXZ4/A,VYA1,VYA3,VYA3/A,VYE3,VYE3/A,VZA1,VZE7,VZE7/A,VZE8,VZE8/A,QYD,QYD/A
				3				-----	

Ref. No.	Part No.	Description	Reqd. QTY					Serial No.	Parts catalogue code	
			GX 620	GX 620	GX 620 K1	GX 620	GX 620 K1			
27	95801-06120-00	BOLT, FLANGE, 6X120 .....	(1)	(2)	(1)	(3)	(2)		QAB, QAB/A, QAB6, QAB6/A, QAD2, QAD2/A, QAF, QAF/A, QAF1, QAF1/A, QAF2, QAF2/A, QAF5, QAF5/A, QAF6, QAF6/A, QAF7, QAF7/A, QAF8, QAF8/A, QAF9, QAF9/A, QAX1, QAX1/A, QDF, QDF/A, QDF6, QDF6/A, QDP2, QDP2/A, QDW, QDW/A, QWA6, QWA6/A, QWF6, QWF6/A, QXA, QXA/A, QXA3, QXA3/A, QXA6, QXA6/A, QXB1, QXB1/A, QXC2, QXC2/A, QXE1, QXE1/A, QXE4, QXE4/A, QXE5, QXE5/A, QXE7, QXE7/A, QXE8, QXE8/A, QXF, QXF/A, QXF3, QXF4, QXF4/A, QXF6, QXF6/A, QXF8, QXF8/A, QXW2, QXW2/A, QXW4, QXW4/A, QYA, QYA/A, QYD, QYD/A, QYF, QYF/A, QZB, QZB/A, QZB2, QZB2/A, QZB3, QZB3/A, QZD, QZD/A, QZE3, QZE3/A, QZE4, QZE4/A, QZF1, QZF1/A, QZF2, QZF2/A, QZF8, QZF8/A, QZX1, QZX1/A, QZX4, QZX4/A, QZX5, QZX5/A, SAE1, SAE1/A, SAF1, SAF1/A, TXF2, TXF2/A, VAB2, VAB2/A, VAB3, VAB3/A, VAF, VAF/A, VAF6, VAF6/A, VDB2, VDB2/A, VDC2, VDC2/A, VEP4, VEP4/A, VXA1, VXA1/A, VXA4, VXA4/A, VXA5, VXA5/A, VXA6, VXA6/A, VXD4, VXD4/A, VXE1, VXE1/A, VXE2, VXE2/A, VXE4, VXE4/A, VXE8, VXE8/A, VXF, VXF/A, VXF4, VXF4/A, VXP2, VXP2/A, VXZ4, VXZ4/A, VYA1, VYA3, VYA3/A, VYE3, VYE3/A, VZA1, VZE7, VZE7/A, VZE8, VZE8/A	
28	99201-ZG8-1000	JET SET, MAIN, #100 .....	-	-	(1)	-	-	QAB, QAB/A, QAB6, QAB6/A, QAF, QAF/A, QAF1, QAF1/A, QAF2, QAF2/A, QAF5, QAF5/A, QAF6, QAF6/A, QAF7, QAF7/A, QAF8, QAF8/A, QAF9, QAF9/A, QDF, QDF/A, QDF6, QDF6/A, QDP2, QDP2/A, QDW, QDW/A, QWA6, QWA6/A, QWF6, QWF6/A, QXA, QXA/A, QXA3, QXA3/A, QXA6, QXA6/A, QXB1, QXB1/A, QXC2, QXC2/A, QXE1, QXE1/A, QXE4, QXE4/A, QXE5, QXE5/A, QXE7, QXE7/A, QXE8, QXE8/A, QXF, QXF/A, QXF3, QXF4, QXF4/A, QXF6, QXF6/A, QXF8, QXF8/A, QXW2, QXW2/A, QXW4, QXW4/A, QYA, QYA/A, QYD, QYD/A, QYF, QYF/A, QZB, QZB/A, QZB2, QZB2/A, QZB3, QZB3/A, QZD, QZD/A, QZE3, QZE3/A, QZE4, QZE4/A, QZF1, QZF1/A, QZF2, QZF2/A, QZF8, QZF8/A, QZX5, QZX5/A, SAE1, SAE1/A, SAF1, SAF1/A, TXF2, TXF2/A, VAF, VAF/A, VAF6, VAF6/A, VDB2, VDB2/A, VDC2, VDC2/A, VEP4, VEP4/A, VXA1, VXA1/A, VXA4, VXA4/A, VXA5, VXA5/A, VXA6, VXA6/A, VXD4, VXD4/A, VXE1, VXE1/A, VXE2, VXE2/A, VXE4, VXE4/A, VXE8, VXE8/A, VXF, VXF/A, VXF4, VXF4/A, VXP2, VXP2/A, VYA1, VYA3, VYA3/A, VYE3, VYE3/A, VZA1, VZE7, VZE7/A, VZE8, VZE8/A		
	99201-ZG8-1020	JET SET, MAIN, #102 .....	-	-	(1)	-	-	QAB, QAB/A, QAB6, QAB6/A, QAF, QAF/A, QAF1, QAF1/A, QAF2, QAF2/A, QAF5, QAF5/A, QAF6, QAF6/A, QAF7, QAF7/A, QAF8, QAF8/A, QAF9, QAF9/A, QDF, QDF/A, QDF6, QDF6/A, QDP2, QDP2/A, QDW, QDW/A, QWA6, QWA6/A, QWF6, QWF6/A, QXA, QXA/A, QXA3, QXA3/A, QXA6, QXA6/A, QXB1, QXB1/A, QXC2, QXC2/A, QXE1, QXE1/A, QXE4, QXE4/A, QXE5, QXE5/A, QXE7, QXE7/A, QXE8, QXE8/A, QXF, QXF/A, QXF3, QXF4, QXF4/A, QXF6, QXF6/A, QXF8, QXF8/A, QXW2, QXW2/A, QXW4, QXW4/A, QYA, QYA/A, QYD, QYD/A, QYF, QYF/A, QZB, QZB/A, QZB2, QZB2/A, QZB3, QZB3/A, QZD, QZD/A, QZE3, QZE3/A, QZE4, QZE4/A, QZF1, QZF1/A, QZF2, QZF2/A, QZF8, QZF8/A, QZX5, QZX5/A, SAE1, SAE1/A, SAF1, SAF1/A, TXF2, TXF2/A, VAB2, VAB2/A, VAB3, VAB3/A, VAF, VAF/A, VAF6, VAF6/A, VDB2, VDB2/A, VDC2, VDC2/A, VEP4, VEP4/A, VXA1, VXA1/A, VXA4, VXA4/A, VXA5, VXA5/A, VXA6, VXA6/A, VXD4, VXD4/A, VXE1, VXE1/A, VXE2, VXE2/A, VXE4, VXE4/A, VXE8, VXE8/A, VXF, VXF/A, VXF4, VXF4/A, VXP2, VXP2/A, VYA1, VYA3, VYA3/A, VYE3, VYE3/A, VZA1, VZE7, VZE7/A, VZE8, VZE8/A		



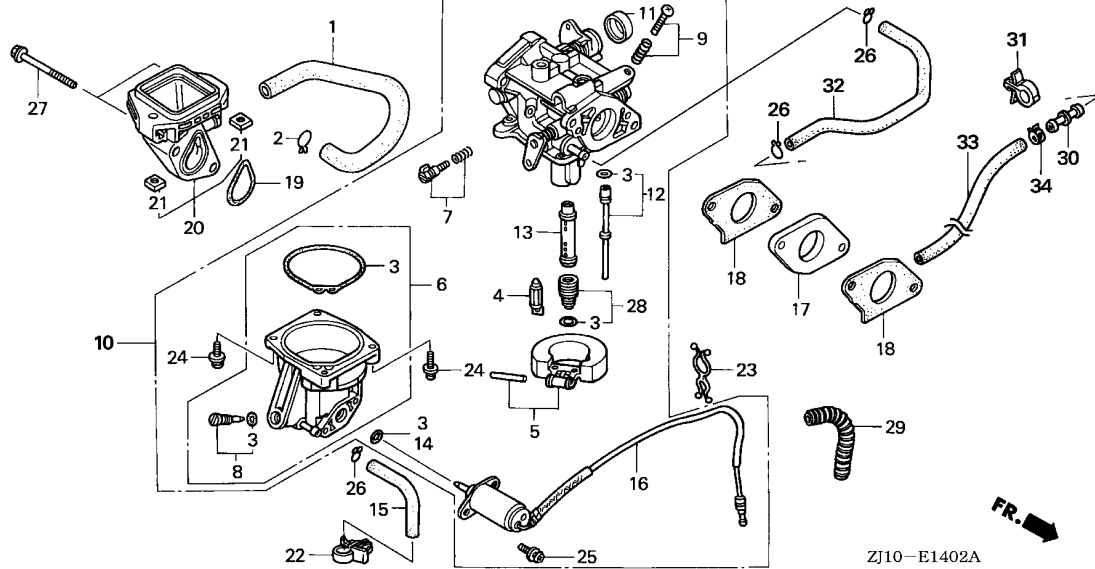




ZJ10-E1402A

FR. →

Ref. No.	Part No.	Description	Reqd. QTY					Serial No.	Parts catalogue code
			GX 620	GX 620	GX 620	GX 620	GX 620		
28)	99201-ZG8-1050	JET SET, MAIN, #105	-	-	1	-	-	-----	QAB,QAB/A,QAB6,QAB6/A,QAF,QAF/A,QAF1,QAF1/A,QAF2,QAF2/A,QAF5,QAF5/A,QAF6,QAF6/A,QAF7,QAF7/A,QAF8,QAF8/A,QAF9,QAF9/A,QDF,QDF/A,QDF6,QDF6/A,QDP2,QDP2/A,QDW,QDW/A,QWA6,QWA6/A,QWF6,QWF6/A,QXA,QXA/A,QXA3,QXA3/A,QXA6,QXA6/A,QXB1,QXB1/A,QXC2,QXC2/A,QXE1,QXE1/A,QXE4,QXE4/A,QXE5,QXE5/A,QXE7,QXE7/A,QXE8,QXE8/A,QXF,QXF/A,QXF3,QXF4,QXF4/A,QXF6,QXF6/A,QXF8,QXF8/A,QXW2,QXW2/A,QXW4,QXW4/A,QYA,QYA/A,QYD,QYD/A,QYF,QYF/A,QZB,QZB/A,QZB2,QZB2/A,QZB3,QZB3/A,QZD,QZD/A,QZE3,QZE3/A,QZE4,QZE4/A,QZF1,QZF1/A,QZF2,QZF2/A,QZF8,QZF8/A,QZX5,QZX5/A,SAE1,SAE1/A,SAF1,SAF1/A,TFX2,TFX2/A,VAF,VAF/A,VAF6,VAF6/A,VDB2,VDB2/A,VDC2,VDC2/A,VEP4,VEP4/A,VXA1,VXA1/A,VXA4,VXA4/A,VXA5,VXA5/A,VXA6,VXA6/A,VXD4,VXD4/A,VXE1,VXE1/A,VXE2,VXE2/A,VXE4,VXE4/A,VXE8,VXE8/A,VXF,VXF/A,VXF4,VXF4/A,VXP2,VXP2/A,VYA1,VYA3,VYA3/A,VYE3,VYE3/A,VZA1,VZE7,VZE7/A,VZE8,VZE8/A
	99201-ZG8-1080	JET SET, MAIN, #108	-	-	(1)	-	-	-----	QAD2,QAD2/A,VAB2,VAB2/A,VAB3,VAB3/A
	99201-ZG8-1100	JET SET, MAIN, #110	-	-	(1)	-	-	-----	VAB2,VAB2/A,VAB3,VAB3/A
	99101-ZJ4-1000	JET, MAIN, #100	-	-	(1)	-	-	-----	QAD2,QAD2/A
	99101-ZJ4-1020	JET, MAIN, #102	-	-	(1)	-	-	-----	QAD2,QAD2/A
	99101-ZJ4-1050	JET, MAIN, #105	-	-	(1)	-	-	-----	QAX1,QAX1/A,QZX1,QZX1/A,QZX4,QZX4/A,VXZ4,VXZ4/A
29	30519-ZJ1-840	TUBE, CORRUGATE	-	-	1	-	-	-----	QAX1,QAX1/A,QZX1,QZX1/A,QZX4,QZX4/A,VXZ4,VXZ4/A
30	16958-GJ6-000	JOINT, FUEL TUBE	-	-	1	-	-	-----	QXE7,QXE7/A,QXE8,QXE8/A,QXF8,QXF8/A,QXW2,QXW2/A,QXW4,QXW4/A
31	30701-887-790	CLIP, HIGH TENSION CORD	-	-	1	-	-	-----	QYD,QYD/A



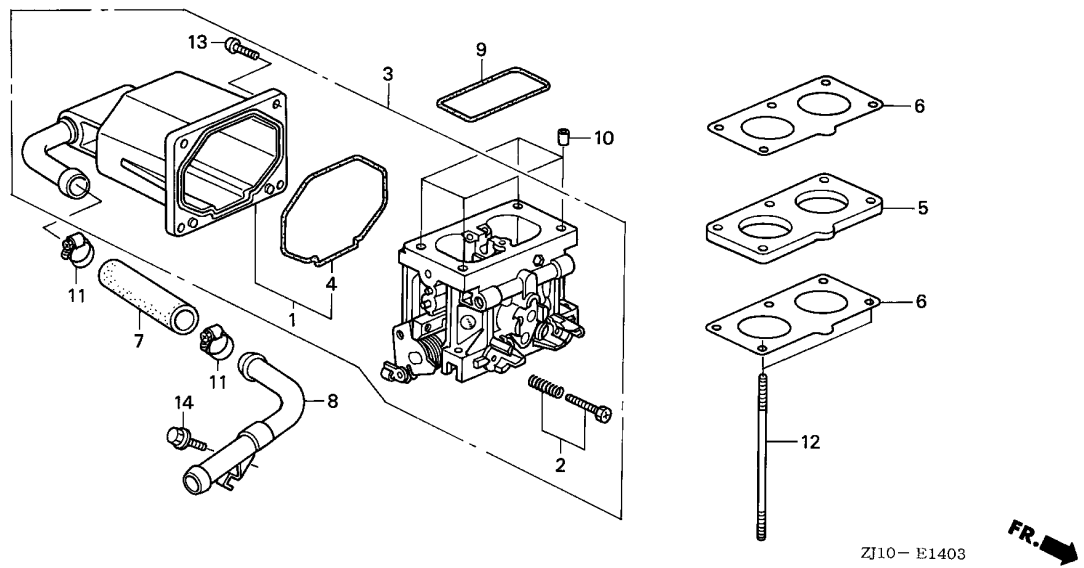
Ref. No.	Part No.	Description	Reqd. QTY					Serial No.	Parts catalogue code
			GX 620	GX 620	GX 620 K1	GX 620 (3)	GX 620 K1 (2)		
32	95001-45140-40	TUBE, FUEL, 4.5X140 (95001-45001-60M)	-	-	1	-	-	----- QXB1,QXB1/A,QYD,QYD/A	
33	95001-45670-50	HOSE, FUEL, 4.5X670 (95001-45001-50M)	-	-	1	-	-	----- QYD,QYD/A	
34	95002-40850-08	CLAMP, TUBE (D8.5) .....	-	-	1	-	-	----- QYD,QYD/A	



E-14-3

CARBURETOR(4)

J 2



Ref. No.	L.O.N.	(Relative ref. Number) Description	F.R.T.
1	3111A3	(4) CHAMBER SET, FLOAT AND/OR GASKET, FLOAT CHAMBER .....	0.5
3	3111F3	CARBURETOR .....	0.4
5	3111C0	INSULATOR, CARBURETOR AND/OR PACKING, INSULATOR .....	0.4
6	3111C8	PACKING, CARBURETOR .....	0.4
7	3101B1	HOSE, FUEL .....	0.4
9	3121D9	PACKING, AIR CLEANER .....	0.3

ZJ10- E1403



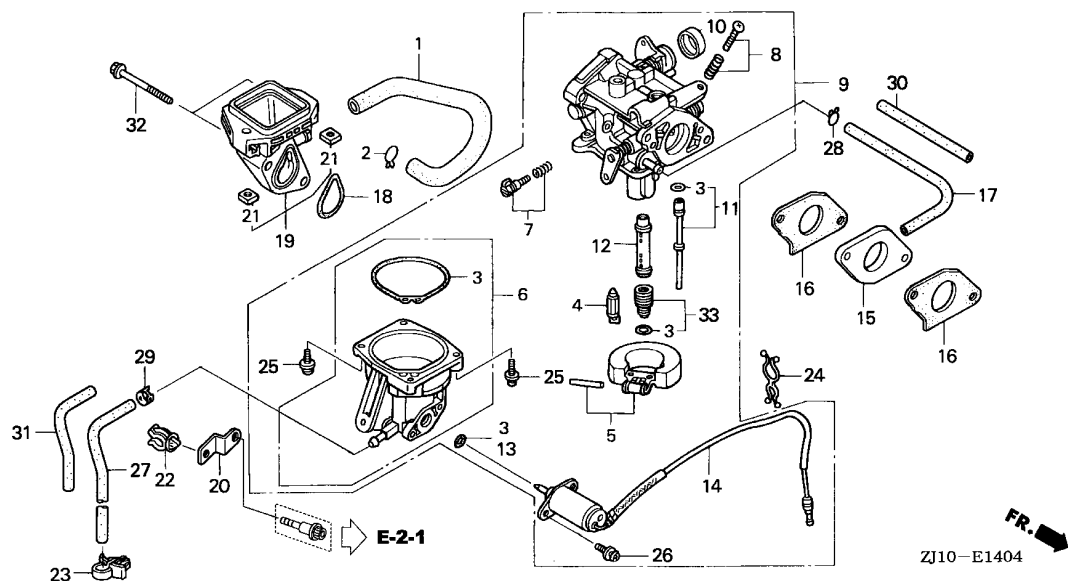
Ref. No.	Part No.	Description	Reqd. QTY					Serial No.	Parts catalogue code
			GX 620 (1)	GX 620 (2)	GX 620 K1 (1)	GX 620 (3)	GX 620 K1 (2)		
1	16015-ZN1-831	CHAMBER SET, FLOAT .....	-	-	-	-	1		
2	16028-ZN1-801	SCREW SET (TH.STOP) .....	-	-	-	-	1		
3	16100-ZJ1-931	CARBURETOR ASSY. (BKLOA A) ..	-	-	-	-	1		
4	16163-ZN1-831	GASKET, FLOAT CHAMBER .....	-	-	-	-	1		
5	16211-ZN1-000	INSULATOR, CARBURETOR .....	-	-	-	-	1		
6	16221-ZN1-000	PACKING, CARBURETOR .....	-	-	-	-	2		
7	16347-ZN1-820	HOSE, FUEL .....	-	-	-	-	1		
8	16920-ZN1-820	JOINT COMP., FUEL .....	-	-	-	-	1		
9	17228-ZN1-000	PACKING, AIR CLEANER .....	-	-	-	-	1		
10	17238-ZJ4-830	COLLAR A, AIR CLEANER .....	-	-	-	-	4		
11	19506-KA4-000	CLAMP, WATER HOSE .....	-	-	-	-	2		
12	90041-147-000	BOLT, STUD, 6X108 .....	-	-	-	-	2		
13	93500-04014-1H	SCREW, PAN, 4X14 .....	-	-	-	-	1		
14	95701-08020-00	BOLT, FLANGE, 8X20 .....	-	-	-	-	1		

2

E-14-4

CARBURETOR(5)

J 3



Ref. No.	L.O.N.	(Relative ref. Number) Description	F.R.T.
1	1111K5	TUBE, BREATHER .....	0.2
3	3111B1	GASKET SET, CARBURETOR .....	0.8
4	3111E1	VALVE SET, FLOAT AND/OR FLOAT SET .....	0.7
6	3111A3	CHAMBER SET, FLOAT AND/OR GASKET, FLOAT CHAMBER .....	0.7
7	3111D7	SCREW SET, PILOT .....	0.2
9	3111F3	CARBURETOR (13) .....	0.6
14	6211C0	VALVE, CARBURETOR SOLENOID ...	0.5
15	3111C0	INSULATOR, CARBURETOR AND/OR PACKING, INSULATOR .....	0.4
16	3111C8	PACKING, CARBURETOR .....	0.4
19	3121B4	ELBOW, AIR CLEANER .....	0.2
33	3111C2	JET SET, MAIN .....	0.7

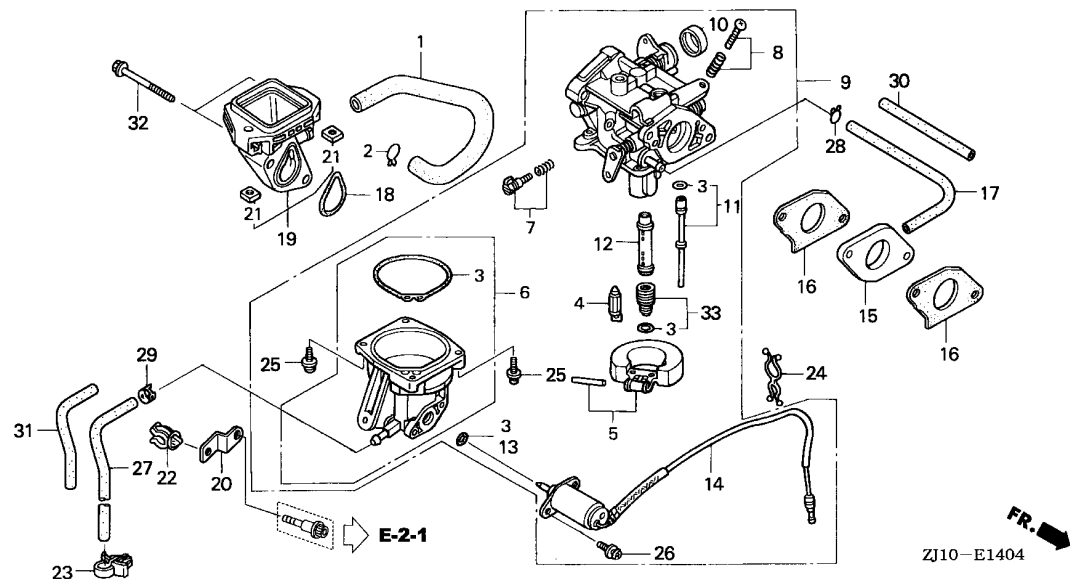
Ref. No.	Part No.	Description	Reqd. QTY					Serial No.	Parts catalogue code
			GX 620 (1)	GX 620 (2)	GX 620 K1 (1)	GX 620 (3)	GX 620 K1 (2)		
1	12357-ZJ1-840	TUBE, BREATHER .....	-	-	1	-	-	SYA,SYA/A	
2	15772-551-000	CLIP, BREATHER TUBE .....	-	-	1	-	-	SYA,SYA/A	
3	16010-ZJ1-851	GASKET SET .....	-	-	1	-	-	SYA,SYA/A	
4	16011-KCK-910	VALVE SET, FLOAT .....	-	-	1	-	-	SYA,SYA/A	
5	16013-ZV4-005	FLOAT SET .....	-	-	1	-	-	SYA,SYA/A	
6	16015-ZJ1-852	CHAMBER SET, FLOAT .....	-	-	1	-	-	SYA,SYA/A	
7	16016-ZJ1-010	SCREW SET .....	-	-	1	-	-	SYA,SYA/A	
8	16028-ZG8-000	SCREW SET .....	-	-	1	-	-	SYA,SYA/A	
9	16100-ZJ1-R51	CARBURETOR ASSY. (BG22S A) ..	-	-	1	-	-	SYA,SYA/A	
10	16148-141-881	CAP, CHOKE DUST .....	-	-	1	-	-	SYA,SYA/A	
11	16150-ZJ1-R51	JET SET, #52 .....	-	-	1	-	-	SYA,SYA/A	
12	16166-ZJ1-R51	NOZZLE, MAIN .....	-	-	1	-	-	SYA,SYA/A	
13	16178-548-004	O-RING, 5.8X1.9 .....	-	-	1	-	-	SYA,SYA/A	
14	16200-ZJ1-841	VALVE ASSY., SOLENOID .....	-	-	1	-	-	SYA,SYA/A	
15	16211-ZJ0-830	INSULATOR, CARBURETOR .....	-	-	1	-	-	SYA,SYA/A	
16	16221-ZJ1-840	PACKING, CARBURETOR .....	-	-	2	-	-	SYA,SYA/A	
17	16852-ZJ1-R50	TUBE, FUEL .....	-	-	1	-	-	SYA,SYA/A	
18	17228-ZG8-003	PACKING, AIR CLEANER .....	-	-	1	-	-	SYA,SYA/A	
19	17410-ZJ1-840	ELBOW COMP., AIR CLEANER .....	-	-	1	-	-	SYA,SYA/A	
20	32112-735-A10	BRACKET, HARNESS CLIP (A) ...	-	-	1	-	-	SYA,SYA/A	
21	90314-ZJ1-840	NUT, INSERT, 6MM .....	-	-	2	-	-	SYA,SYA/A	
22	90601-ZJ1-851	CLIP, TUBE .....	-	-	1	-	-	SYA,SYA/A	
23	90682-959-661	CLIP B, CABLE .....	-	-	1	-	-	SYA	
24	91402-ZJ1-841	CLIP, PURSE LOCK .....	-	-	1	-	-	SYA,SYA/A	



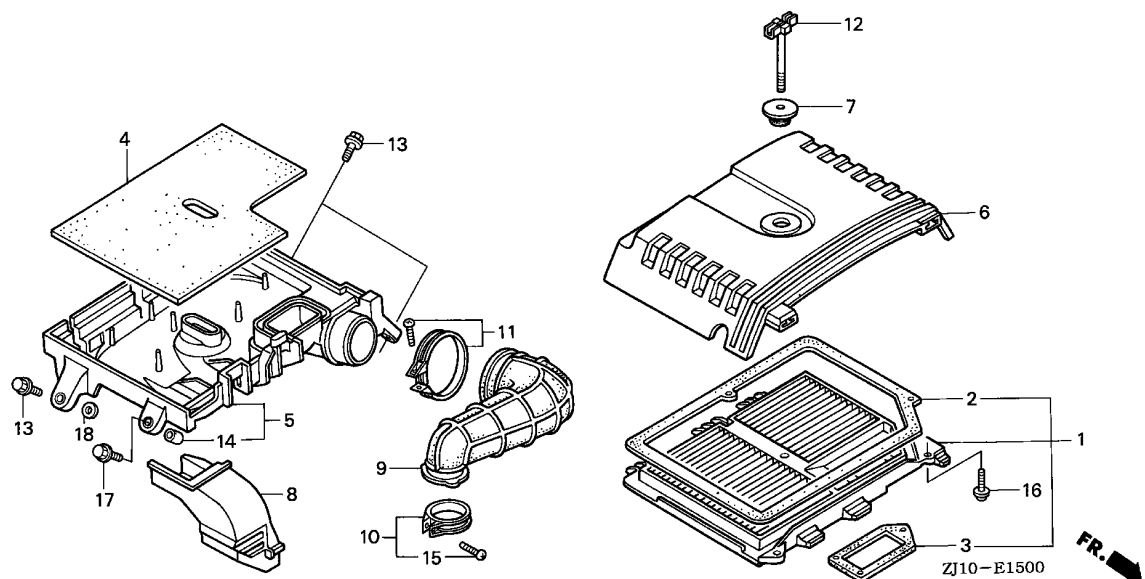
E-14-4

CARBURETOR(5)

J 4



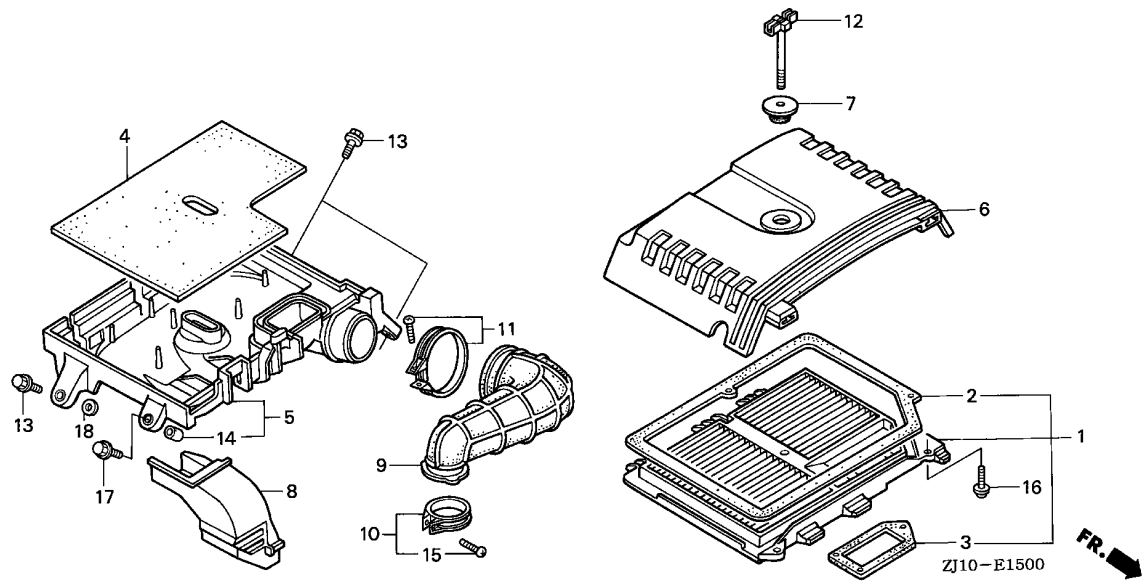
Ref. No.	Part No.	Description	Reqd. QTY					Serial No.	Parts catalogue code
			GX 620 (1)	GX 620 (2)	GX 620 K1 (1)	GX 620 (3)	GX 620 K1 (2)		
25	93892-04014-18	SCREW-WASHER, 4X14	-	-	4	-	-	SYA,SYA/A	
26	93892-05012-18	SCREW-WASHER, 5X12	-	-	2	-	-	SYA,SYA/A	
27	95001-45380-50	HOSE, FUEL, 4.5X380	-	-	-	-	-	-	
	(95001-45001-50M)		-	-	1	-	-	2078625 SYA	
	95001-45280-50	HOSE, FUEL, 4.5X280	-	-	-	-	-	-	
	(95001-45001-50M)		-	-	1	-	-	SYA/A	
			-	-	1	-	-	2078626 SYA	
28	95002-02080	CLIP, TUBE (B8)	-	-	1	-	-	SYA,SYA/A	
29	95002-40850-08	CLAMP, TUBE (D8.5)	-	-	1	-	-	SYA,SYA/A	
30	95003-25007-20	TUBE, VINYL, 9X11X70	-	-	-	-	-	-	
	(95003-25001-10M)		-	-	1	-	-	SYA,SYA/A	
31	95003-36010-20	TUBE, VINYL, 11X13X100	-	-	-	-	-	-	
	(95003-36001-10M)		-	-	1	-	-	SYA,SYA/A	
32	95801-06120-00	BOLT, FLANGE, 6X120	-	-	2	-	-	SYA,SYA/A	
33	99201-ZJ0-1050	JET SET, MAIN, #105	-	-	1	-	-	SYA,SYA/A	



Ref. No.	L.O.N.	(Relative ref. Number) Description	F.R.T.
1	3121B8	ELEMENT, AIR CLEANER .....	0.2
2	3121D7	PACKING A, ELEMENT .....	0.2
3	3121D8	PACKING B, ELEMENT .....	0.2
4	3121C1	FILTER, OUTER .....	0.1
5	3121A5	CASE, AIR CLEANER .....	0.2
6	3121B1	COVER, AIR CLEANER .....	0.1
8	3121D1	HOSE, AIR CLEANER .....	0.3
9	3121F7	TUBE, AIR CLEANER .....	0.2

Ref. No.	Part No.	Description	Reqd. QTY					Serial No.	Parts catalogue code
			GX 620	GX 620	GX 620	GX 620	GX 620		
1	17010-ZJ1-000	ELEMENT SET, AIR CLEANER .....	1	-	-	1	-	-----	QAB, QAB4, QAB6, QAC6, QAF, QAFP, QAF1, QAF3, QAF4, QAF5, QAF6, QAF7, QAF8, QDA1, QDE1, QDF, QDF4, QDF6, QDW, QXA, QXAP, QXA1, QXA3, QXA4, QXA6, QXB1, QXC4, QXE1, QXE3, QXF3, QXF6, QYA, QYA4, QYF, QYF4, QYF6, QZX4, SAE1, SAF1, VABP, VAF, VAFP, VAF4, VAF6, VXAP, VXA1, VXA3, VXE1, VXE2, VXE4, VXE8, VXZ4, VYA1, VYA3, VZA1, VZA3, VZD, VZE1, VZE5, VZE7, VZE8, VZF1
			1	-	-	-	-	-----	1008423 QXF1
	17010-ZJ1-820	.....	-	1	-	-	-	-----	QAFU, QXAU, VAFU, VXAU
2	17216-ZJ1-000	PACKING A, ELEMENT .....	1	-	-	-	-	-----	QAB, QAB4, QAB6, QAC6, QAF, QAF1, QAF3, QAF4, QAF5, QAF6, QAF7, QAF8, QDA1, QDE1, QDF, QDF4, QDF6, QDW, QXA, QXA1, QXA3, QXA4, QXA6, QXB1, QXC4, QXE1, QXE3, QXF3, QXF6, QYA, QYA4, QYF, QYF4, QYF6, QZX4, SAE1, SAF1, VAF, VAF4, VAF6, VXA1, VXA3, VXE1, VXE2, VXE4, VXE8, VXZ4, VYA1, VYA3, VZA1, VZA3, VZD, VZE1, VZE5, VZE7, VZE8, VZF1
			1	-	-	-	-	-----	1008423 QXF1
3	17217-ZJ1-000	PACKING B, ELEMENT .....	1	-	-	-	-	-----	QAB, QAB4, QAB6, QAC6, QAF, QAF1, QAF3, QAF4, QAF5, QAF6, QAF7, QAF8, QDA1, QDE1, QDF, QDF4, QDF6, QDW, QXA, QXA1, QXA3, QXA4, QXA6, QXB1, QXC4, QXE1, QXE3, QXF3, QXF6, QYA, QYA4, QYF, QYF4, QYF6, QZX4, SAE1, SAF1, VAF, VAF4, VAF6, VXA1, VXA3, VXE1, VXE2, VXE4, VXE8, VXZ4, VYA1, VYA3, VZA1, VZA3, VZD, VZE1, VZE5, VZE7, VZE8, VZF1
			1	-	-	-	-	-----	1008423 QXF1
			-	1	-	1	-	-----	



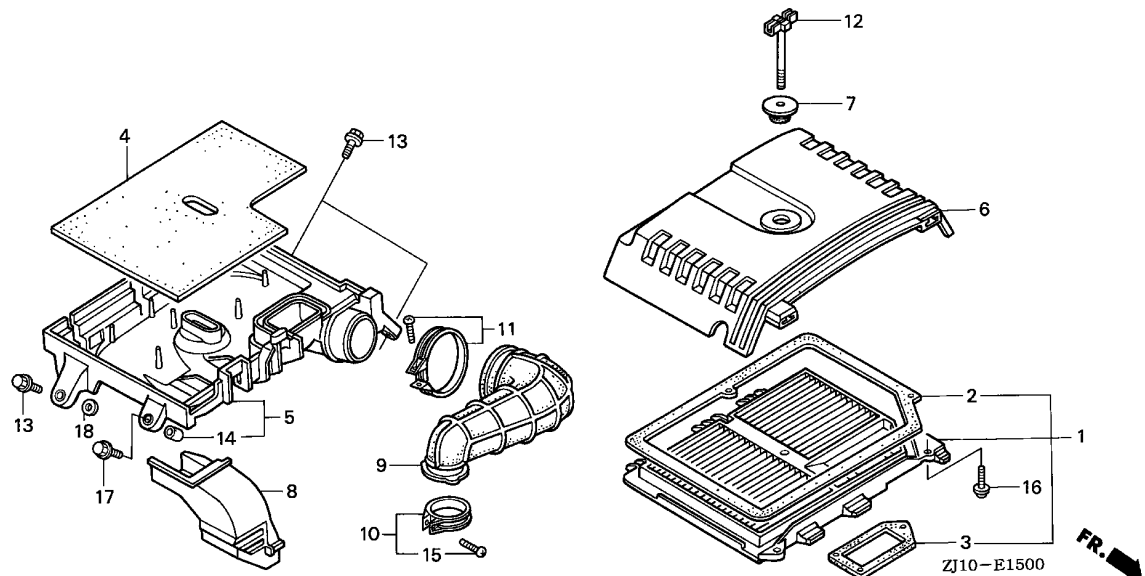


Ref. No.	Part No.	Description	Reqd. QTY					Serial No.	Parts catalogue code
			GX 620 (1)	GX 620 (2)	GX 620 K1 (1)	GX 620 (3)	GX 620 K1 (2)		
4	17218-ZJ1-000	FILTER, OUTER .....	1	-	-	-	-	QAB, QAB4, QAB6, QAC6, QAF, QAF1, QAF3, QAF4, QAF5, QAF6, QAF7, QAF8, QDA1, QDE1, QDF, QDF4, QDF6, QDW, QXA, QXA1, QXA3, QXA4, QXA6, QXB1, QXC4, QXE1, QXE3, QXF3, QXF6, QYA, QYA4, QYF, QYF4, QYF6, QZX4, SAE1, SAF1, VAF, VAF4, VAF6, VXA1, VXA3, VXE1, VXE2, VXE4, VXE8, VXZ4, VYA3, VZA1, VZA3, VZD, VZE1, VZE5, VZE7, VZE8, VZF1	
								1008423 QXF1	
5	17220-ZJ1-000	CASE COMP., AIR CLEANER .....	1	-	-	1	-	QAB, QAB4, QAB6, QAC6, QAF, QAFP, QAF1, QAF3, QAF4, QAF5, QAF6, QAF7, QAF8, QDA1, QDE1, QDF, QDF4, QDF6, QDW, QXA, QXAP, QXA1, QXA3, QXA4, QXA6, QXB1, QXC4, QXE1, QXE3, QXF3, QXF6, QYA, QYA4, QYF, QYF4, QYF6, QZX4, SAE1, SAF1, VABP, VAF, VAFP, VAF4, VAF6, VXAP, VXA1, VXA3, VXE1, VXE2, VXE4, VXE8, VXZ4, VYA1, VYA3, VZA1, VZA3, VZD, VZE1, VZE5, VZE7, VZE8, VZF1	
			1	-	-	-	-	1008423 QXF1	
	17220-ZJ1-820	.....	-	1	-	-	-	QAFU, QXAU, VAFU, VXAU	
6	17231-ZJ1-000	COVER, AIR CLEANER .....	1	-	-	1	-	QAB, QAB4, QAB6, QAC6, QAF, QAFP, QAF1, QAF3, QAF4, QAF5, QAF6, QAF7, QAF8, QDA1, QDE1, QDF, QDF4, QDF6, QDW, QXA, QXAP, QXA1, QXA3, QXA4, QXA6, QXB1, QXC4, QXE1, QXE3, QXF3, QXF6, QYA, QYA4, QYF, QYF4, QYF6, QZX4, SAE1, SAF1, VABP, VAF, VAFP, VAF4, VAF6, VXAP, VXA1, VXA3, VXE1, VXE2, VXE4, VXE8, VXZ4, VYA1, VYA3, VZA1, VZA3, VZD, VZE1, VZE5, VZE7, VZE8, VZF1	
			1	-	-	-	-	1008423 QXF1	
	17231-ZJ1-820	.....	-	-	-	1	-	QAFU, QXAU, VAFU, VXAU	

Ref. No.	Part No.	Description	Reqd. QTY					Serial No.	Parts catalogue code
			GX 620 (1)	GX 620 (2)	GX 620 K1 (1)	GX 620 (3)	GX 620 K1 (2)		
7	17232-ZJ1-000	GROMMET, AIR CLEANER .....	1	-	-	-	-	QAB, QAB4, QAB6, QAC6, QAF, QAF1, QAF3, QAF4, QAF5, QAF6, QAF7, QAF8 QDA1, QDE1, QDF, QDF4, QDF6, QDW, QXA, QXA1, QXA3, QXA4, QXA6, QXB1 QXC4, QXE1, QXE3, QXF3, QXF6, QYA, QYA4, QYF, QYF4, QYF6, QZX4, SAE1 SAF1, VAF, VAF4, VAF6, VXA1, VXA3, VXE1, VXE2, VXE4, VXE8, VXZ4, VYA1 VYA3, VZA1, VZA3, VZD, VZE1, VZE5, VZE7, VZE8, VZF1	
			1	-	-	-	-	1008423 QXF1	
8	17237-ZJ1-000	HOSE, AIR CLEANER .....	1	-	-	-	-	QAB, QAB4, QAB6, QAC6, QAF, QAF1, QAF3, QAF4, QAF5, QAF6, QAF7, QAF8 QDA1, QDE1, QDF, QDF4, QDF6, QDW, QXA, QXA1, QXA3, QXA4, QXA6, QXB1 QXC4, QXE1, QXE3, QXF3, QXF6, QYA, QYA4, QYF, QYF4, QYF6, QZX4, SAE1 SAF1, VAF, VAF4, VAF6, VXA1, VXA3, VXE1, VXE2, VXE4, VXE8, VXZ4, VYA1 VYA3, VZA1, VZA3, VZD, VZE1, VZE5, VZE7, VZE8, VZF1	
			1	-	-	-	-	1008423 QXF1	
9	17251-ZJ1-000	TUBE, AIR CLEANER CONNECTING	1	-	-	-	-	QAB, QAB4, QAB6, QAC6, QAF, QAF1, QAF3, QAF4, QAF5, QAF6, QAF7, QAF8 QDA1, QDE1, QDF, QDF4, QDF6, QDW, QXA, QXA1, QXA3, QXA4, QXA6, QXB1 QXC4, QXE1, QXE3, QXF3, QXF6, QYA, QYA4, QYF, QYF4, QYF6, QZX4, SAE1 SAF1, VAF, VAF4, VAF6, VXA1, VXA3, VXE1, VXE2, VXE4, VXE8, VXZ4, VYA1 VYA3, VZA1, VZA3, VZD, VZE1, VZE5, VZE7, VZE8, VZF1	
			1	-	-	-	-	1008423 QXF1	
10	17255-758-000	BAND, AIR CLEANER CONNECTING TUBE	1	-	-	-	-	QAB, QAB4, QAB6, QAC6, QAF, QAF1, QAF3, QAF4, QAF5, QAF6, QAF7, QAF8 QDA1, QDE1, QDF, QDF4, QDF6, QDW, QXA, QXA1, QXA3, QXA4, QXA6, QXB1 QXC4, QXE1, QXE3, QXF3, QXF6, QYA, QYA4, QYF, QYF4, QYF6, QZX4, SAE1 SAF1, VAF, VAF4, VAF6, VXA1, VXA3, VXE1, VXE2, VXE4, VXE8, VXZ4, VYA1 VYA3, VZA1, VZA3, VZD, VZE1, VZE5, VZE7, VZE8, VZF1	
			1	-	-	-	-	1008423 QXF1	
11	95018-50250	BAND, AIR CLEANER CONNECTING TUBE (50)	1	-	-	-	-	QAB, QAB4, QAB6, QAC6, QAF, QAF1, QAF3, QAF4, QAF5, QAF6, QAF7, QAF8 QDA1, QDE1, QDF, QDF4, QDF6, QDW, QXA, QXA1, QXA3, QXA4, QXA6, QXB1 QXC4, QXE1, QXE3, QXF3, QXF6, QYA, QYA4, QYF, QYF4, QYF6, QZX4, SAE1 SAF1, VAF, VAF4, VAF6, VXA1, VXA3, VXE1, VXE2, VXE4, VXE8, VXZ4, VYA1 VYA3, VZA1, VZA3, VZD, VZE1, VZE5, VZE7, VZE8, VZF1	
			1	-	-	-	-	1008423 QXF1	
12	90017-ZJ1-000	BOLT, AIR CLEANER .....	1	-	-	-	-	QAB, QAB4, QAB6, QAC6, QAF, QAF1, QAF3, QAF4, QAF5, QAF6, QAF7, QAF8 QDA1, QDE1, QDF, QDF4, QDF6, QDW, QXA, QXA1, QXA3, QXA4, QXA6, QXB1 QXC4, QXE1, QXE3, QXF3, QXF6, QYA, QYA4, QYF, QYF4, QYF6, QZX4, SAE1 SAF1, VAF, VAF4, VAF6, VXA1, VXA3, VXE1, VXE2, VXE4, VXE8, VXZ4, VYA1 VYA3, VZA1, VZA3, VZD, VZE1, VZE5, VZE7, VZE8, VZF1	
			1	-	-	-	-	1008423 QXF1	
13	90018-ZE1-000	BOLT, FLANGE, 6X23(CT200) ...	3	-	-	-	-	QAB, QAB4, QAB6, QAC6, QAF, QAF1, QAF3, QAF4, QAF5, QAF6, QAF7, QAF8 QDA1, QDE1, QDF, QDF4, QDF6, QDW, QXA, QXA1, QXA3, QXA4, QXA6, QXB1 QXC4, QXE1, QXE3, QXF3, QXF6, QYA, QYA4, QYF, QYF4, QYF6, QZX4, SAE1 SAF1, VAF, VAF4, VAF6, VXA1, VXA3, VXE1, VXE2, VXE4, VXE8, VXZ4, VYA1 VYA3, VZA1, VZA3, VZD, VZE1, VZE5, VZE7, VZE8, VZF1	
			3	-	-	-	-	1008423 QXF1	
			-	3	-	3	-		





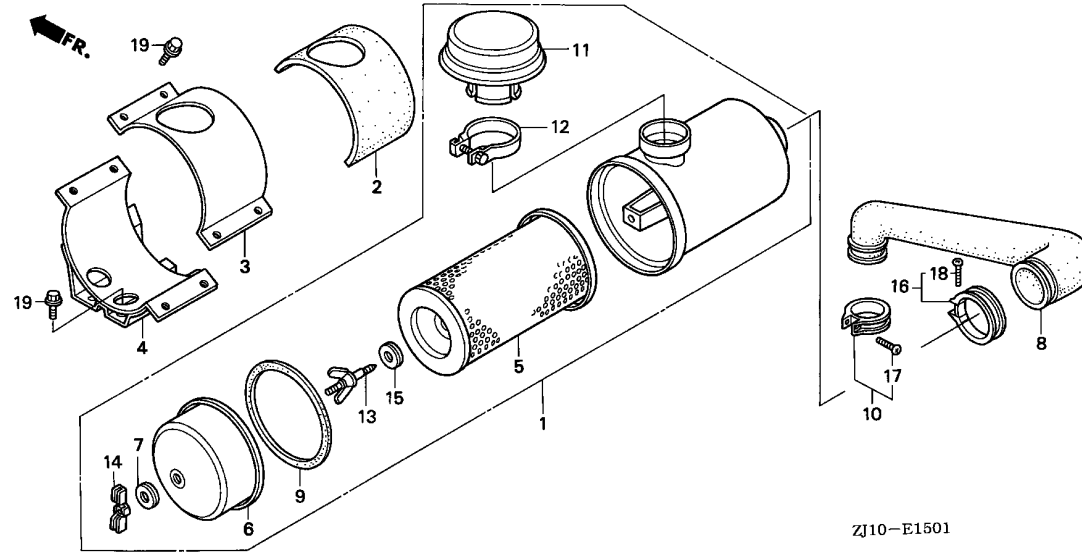


Ref. No.	Part No.	Description	Reqd. QTY					Serial No.	Parts catalogue code
			GX 620 (1)	GX 620 (2)	GX 620 K1 (1)	GX 620 (3)	GX 620 K1 (2)		
14	90120-102-000	COLLAR, AIR CLEANER CASE	4	-	-	-	-	QAB, QAB4, QAB6, QAC6, QAF, QAF1, QAF3, QAF4, QAF5, QAF6, QAF7, QAF8, QDA1, QDE1, QDF, QDF4, QDF6, QDW, QXA, QXA1, QXA3, QXA4, QXA6, QXB1, QXC4, QXE1, QXE3, QXF3, QXF6, QYA, QYA4, QYF, QYF4, QYF6, QZX4, SAE1, SAF1, VAF, VAF4, VAF6, VXA1, VXA3, VXE1, VXE2, VXE4, VXE8, VXZ4, VYA1, VYA3, VZA1, VZA3, VZD, VZE1, VZE5, VZE7, VZE8, VZF1	
			4	-	-	-	-	1008423 QXF1	
15	93500-04020-0A	SCREW, PAN, 4X20	1	-	-	-	-	QAB, QAB4, QAB6, QAC6, QAF, QAF1, QAF3, QAF4, QAF5, QAF6, QAF7, QAF8, QDA1, QDE1, QDF, QDF4, QDF6, QDW, QXA, QXA1, QXA3, QXA4, QXA6, QXB1, QXC4, QXE1, QXE3, QXF3, QXF6, QYA, QYA4, QYF, QYF4, QYF6, QZX4, SAE1, SAF1, VAF, VAF4, VAF6, VXA1, VXA3, VXE1, VXE2, VXE4, VXE8, VXZ4, VYA1, VYA3, VZA1, VZA3, VZD, VZE1, VZE5, VZE7, VZE8, VZF1	
			1	-	-	-	-	1008423 QXF1	
16	93891-05016-08	SCREW-WASHER, 5X16	2	-	-	-	-	QAB, QAB4, QAB6, QAC6, QAF, QAF1, QAF3, QAF4, QAF5, QAF6, QAF7, QAF8, QDA1, QDE1, QDF, QDF4, QDF6, QDW, QXA, QXA1, QXA3, QXA4, QXA6, QXB1, QXC4, QXE1, QXE3, QXF3, QXF6, QYA, QYA4, QYF, QYF4, QYF6, QZX4, SAE1, SAF1, VAF, VAF4, VAF6, VXA1, VXA3, VXE1, VXE2, VXE4, VXE8, VXZ4, VYA1, VYA3, VZA1, VZA3, VZD, VZE1, VZE5, VZE7, VZE8, VZF1	
			2	-	-	-	-	1008423 QXF1	
17	95701-06018-00	BOLT, FLANGE, 6X18	1	-	-	-	-	QAB, QAB4, QAB6, QAC6, QAF, QAF1, QAF3, QAF4, QAF5, QAF6, QAF7, QAF8, QDA1, QDE1, QDF, QDF4, QDF6, QDW, QXA, QXA1, QXA3, QXA4, QXA6, QXB1, QXC4, QXE1, QXE3, QXF3, QXF6, QYA, QYA4, QYF, QYF4, QYF6, QZX4, SAE1, SAF1, VAF, VAF4, VAF6, VXA1, VXA3, VXE1, VXE2, VXE4, VXE8, VXZ4, VYA1, VYA3, VZA1, VZA3, VZD, VZE1, VZE5, VZE7, VZE8, VZF1	
			1	-	-	-	-	1008423 QXF1	
18	18293-MN5-650	PACKING, PROTECTOR	2	-	-	-	-	QAB, QAF, QDF, QXA, QYA, QYF, VAF	

E-15-1

AIR CLEANER(2)

J 9

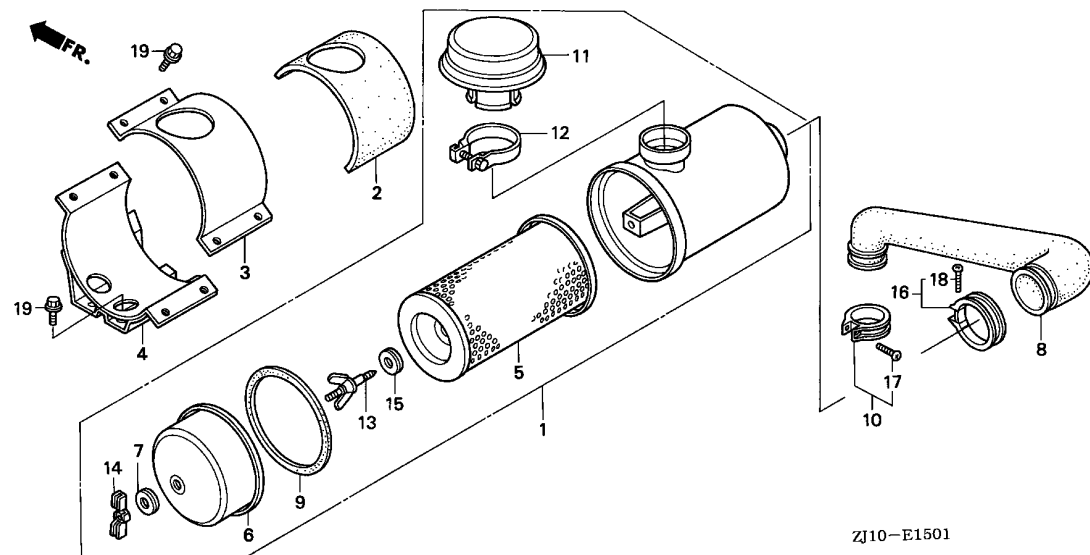


ZJ10-E1501

Ref. No.	L.O.N.	(Relative ref. Number) Description	F.R.T.
1	3121B0	CLEANER, AIR .....	0.2
2	3121E7	RUBBER, AIR CLEANER HOLDER :UPPER .....	0.2
4	3121D0	HOLDER, AIR CLEANER :LOWER ...	0.2
5	3121H4	ELEMENT, AIR CLEANER(A) .....	0.1
8	3121F7	TUBE, AIR CLEANER .....	0.2
11	3121L2	CAP, AIR INTAKE .....	0.1

Ref. No.	Part No.	Description	Reqd. QTY					Serial No.	Parts catalogue code
			GX 620 (1)	GX 620 (2)	GX 620 K1 (1)	GX 620 (3)	GX 620 K1 (2)		
1	17200-ZJ0-U70	CLEANER ASSY., AIR .....	1	-	-	-	-	QAF2,QAP2,TFX2	
2	17207-ZJ0-U70	RUBBER, AIR CLEANER UPPER HOLDER	2	-	-	-	-	QAF2,QAP2,TFX2	
			2	-	-	-	1008424	QXF1	
3	17208-ZJ0-U70	HOLDER COMP., AIR CLEANER UPPER	1	-	-	-	-	QAF2,QAP2,TFX2	
			1	-	-	-	1008424	QXF1	
4	17209-ZJ0-U70	HOLDER COMP., AIR CLEANER LOWER	1	-	-	-	-	QAF2,QAP2,TFX2	
			1	-	-	-	1008424	QXF1	
5	17210-759-013	ELEMENT COMP., AIR CLEANER ..	1	-	-	-	-	QAF2,QAP2,TFX2	
6	17230-759-003	COVER COMP., AIR CLEANER ....	1	-	-	-	-	QAF2,QAP2,TFX2	
7	17232-891-000	GROMMET, AIR CLEANER .....	1	-	-	-	-	QAF2,QAP2,TFX2	
8	17251-ZJ0-U70	TUBE, AIR CLEANER CONNECTING	1	-	-	-	-	QAF2,QAP2,TFX2	
			1	-	-	-	1008424	QXF1	
9	17253-759-003	SEAL, AIR CLEANER .....	1	-	-	-	-	QAF2,QAP2,TFX2	
10	17255-758-000	BAND, AIR CLEANER CONNECTING TUBE	1	-	-	-	-	QAF2,QAP2,TFX2	
			1	-	-	-	1008424	QXF1	
11	17320-ZG5-801	CAP COMP., IN. ....	1	-	-	-	-	QAF2,QAP2,TFX2	
12	17330-ZG5-801	CLAMP ASSY. ....	1	-	-	-	-	QAF2,QAP2,TFX2	
13	90113-759-003	BOLT, AIR CLEANER .....	1	-	-	-	-	QAF2,QAP2,TFX2	
14	90203-ZA0-800	NUT, WING, 6MM(BLACK) .....	1	-	-	-	-	QAF2,QAP2,TFX2	
15	90502-759-003	WASHER, AIR CLEANER .....	1	-	-	-	-	QAF2,QAP2,TFX2	

2



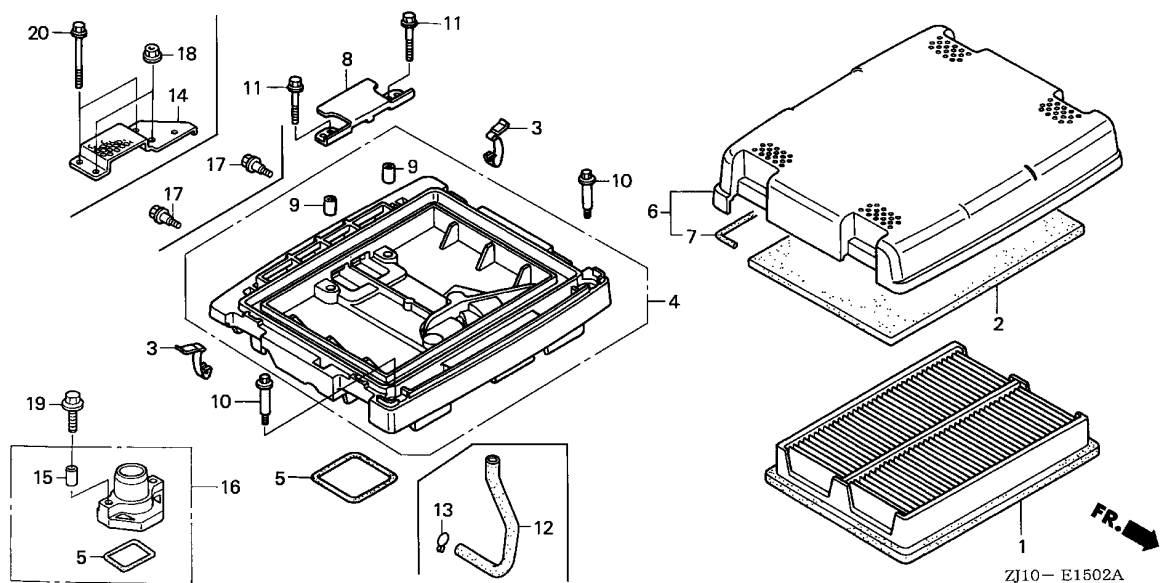
ZJ10-E1501

Ref. No.	Part No.	Description	Reqd. QTY					Serial No.	Parts catalogue code
			GX 620 (1)	GX 620 (2)	GX 620 K1 (1)	GX 620 (3)	GX 620 K1 (2)		
16	90652-GHB-680	BAND, AIR CLEANER CONNECTING TUBE	1	-	-	-	-	----- QAF2,QAP2,TF2	
17	93500-04020-0A	SCREW, PAN, 4X20	1	-	-	-	1008424	----- QXF1	
18	93500-04025-0G	SCREW, PAN, 4X25	1	-	-	-	1008424	----- QAF2,QAP2,TF2	
19	95701-06012-00	BOLT, FLANGE, 6X12	8	-	-	-	1008424	----- QXF1	

E-15-2

AIR CLEANER(3)

J11



Ref. No.	L.O.N.	(Relative ref. Number) Description	F.R.T.
1	3121B8	ELEMENT, AIR CLEANER .....	0.1
2	3121C1	FILTER, OUTER .....	0.1
4	3121A5	CASE, AIR CLEANER .....	0.2
5	3121E8	SEAL, AIR CLEANER CASE .....	0.2
6	3121B1	COVER, AIR CLEANER .....	0.1
7	3121E9	SEAL, AIR CLEANER COVER .....	0.1
8	3121K3	PLATE, AIR CLEANER SETTING ...	0.2
16	3121D5	JOINT, CONNECTING TUBE .....	0.3

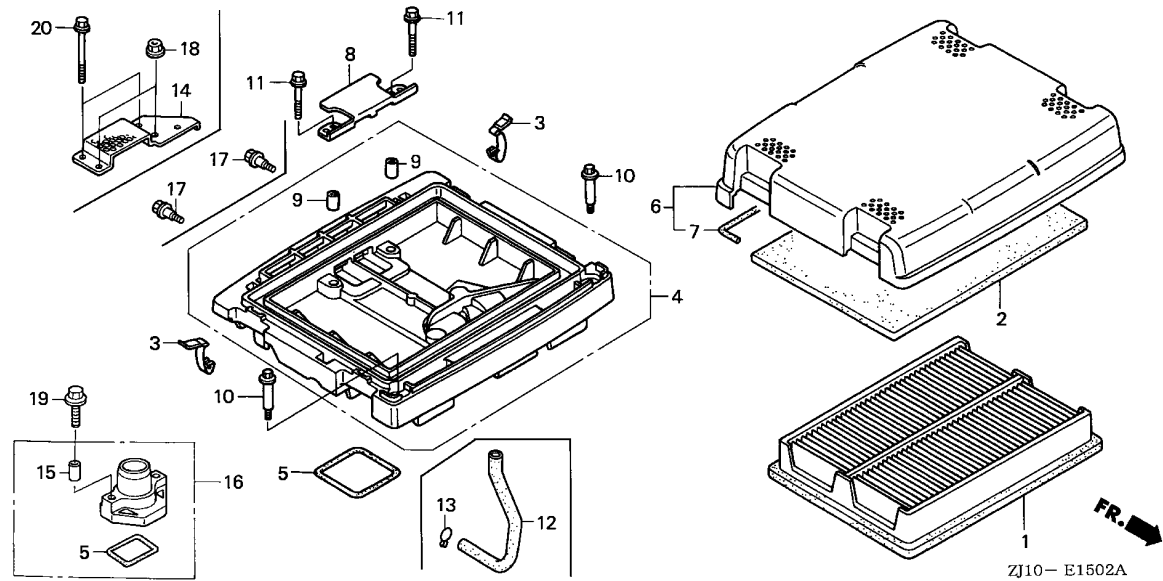
Ref. No.	Part No.	Description	Reqd. QTY					Serial No.	Parts catalogue code	
			GX 620	GX 620	GX 620 K1	GX 620 (3)	GX 620 K1 (2)			
1	17210-ZJ1-841	ELEMENT COMP., AIR CLEANER ..	-	-	1	-	-	-----	QXF3,VYA1	
			-	-	1	-	-	2050189	QAB,QAB6,QAF,QAF1,QAF5,QAF6,QAF7,QAF8,QDF,QDF6,QDW,QXA QXA3,QXA6,QXB1,QXC2,QXE1,QXE5,QXF,QXF4,QXF6,QYA,QYF,QZB QZB2,QZB3,QZD,QZE3,QZE4,QZF1,QZF2,QZX4,QZX5,SAE1,SAF1,VAF VAF6,VDB2,VXA1,VXA4,VXA5,VXA6,VXD4,VXE1,VXE2,VXE4,VXE8,VXF VXF4,VXP2,VXZ4,VYA3,VZA1,VZE7,VZE8	
	17210-ZN1-821	ELEMENT ASSY., AIR CLEANER ..	-	-	-	-	1			
	17210-ZJ1-842	ELEMENT COMP., AIR CLEANER ..	-	-	1	-	-	-----	QAB/A,QAB6/A,QAF/A,QAF1/A,QAF5/A,QAF6/A,QAF7/A,QAF8/A,QAF9 QAF9/A,QDF/A,QDF6/A,QDW/A,QWA6,QWA6/A,QWF6,QWF6/A,QXA/A QXA3/A,QXA6/A,QXB1/A,QXC2/A,QXE1/A,QXE5/A,QXF/A,QXF4/A QXF6/A,QYA/A,QYD,QYD/A,QYF/A,QZB/A,QZB2/A,QZB3/A,QZD/A QZE3/A,QZE4/A,QZF1/A,QZF2/A,QZF8,QZF8/A,QZX4/A,QZX5/A SAE1/A,SAF1/A,SYA,SYA/A,VAF/A,VAF6/A,VDB2/A,VDC2,VDC2/A VEP4,VEP4/A,VXA1/A,VXA4/A,VXA5/A,VXA6/A,VXD4/A,VXE1/A VXE2/A,VXE4/A,VXE8/A,VXF/A,VXF4/A,VXP2/A,VXZ4/A,VYA3/A VYE3,VYE3/A,VZE7/A,VZE8/A	
			-	-	1	-	-	2050190	-----	QAB,QAB6,QAF,QAF1,QAF5,QAF6,QAF7,QAF8,QDF,QDF6,QDW,QXA QXA3,QXA6,QXB1,QXC2,QXE1,QXE5,QXF,QXF4,QXF6,QYA,QYF,QZB QZB2,QZB3,QZD,QZE3,QZE4,QZF1,QZF2,QZX4,QZX5,SAE1,SAF1,VAF VAF6,VDB2,VXA1,VXA4,VXA5,VXA6,VXD4,VXE1,VXE2,VXE4,VXE8,VXF VXF4,VXP2,VXZ4,VYA3,VZA1,VZE7,VZE8



E-15-2

AIR CLEANER(3)

J12



Ref. No.	Part No.	Description	Reqd. QTY					Serial No.	Parts catalogue code
			GX 620	GX 620	GX 620 K1	GX 620 (3)	GX 620 K1 (2)		
2	17218-ZJ1-840	FILTER, OUTER .....	-	-	1	-	-	-----	QAB,QAB/A,QAB6,QAB6/A,QAF,QAF/A,QAF1,QAF1/A,QAF5,QAF5/A,QAF6,QAF6/A,QAF7,QAF7/A,QAF8,QAF8/A,QAF9,QAF9/A,QDF,QDF/A,QDF6,QDF6/A,QDW,QDW/A,QWA6,QWA6/A,QWF6,QWF6/A,QXA,QXA/A,QXA3,QXA3/A,QXA6,QXA6/A,QXB1,QXB1/A,QXC2,QXC2/A,QXE1,QXE1/A,QXE5,QXE5/A,QXF,QXF/A,QXF3,QXF4,QXF4/A,QXF6,QXF6/A,QYA,QYA/A,QYD,QYD/A,QYF,QYF/A,QZB,QZB/A,QZB2,QZB2/A,QZB3,QZB3/A,QZD,QZD/A,QZE3,QZE3/A,QZE4,QZE4/A,QZF1,QZF1/A,QZF2,QZF2/A,QZF8,QZF8/A,QZX4,QZX4/A,QZX5,QZX5/A,SAE1,SAE1/A,SAF1,SAF1/A,SYA,SYA/A,VAF,VAF/A,VAF6,VAF6/A,VDB2,VDB2/A,VDC2,VDC2/A,VEP4,VEP4/A,VXA1,VXA1/A,VXA4,VXA4/A,VXA5,VXA5/A,VXA6,VXA6/A,VXD4,VXD4/A,VXE1,VXE1/A,VXE2,VXE2/A,VXE4,VXE4/A,VXE8,VXE8/A,VXF,VXF/A,VXF4,VXF4/A,VXP2,VXP2/A,VXZ4,VXZ4/A,VYA1,VYA3,VYA3/A,VYE3,VYE3/A,VZA1,VZE7,VZE7/A,VZE8,VZE8/A
			-	-	1	-	-		

2

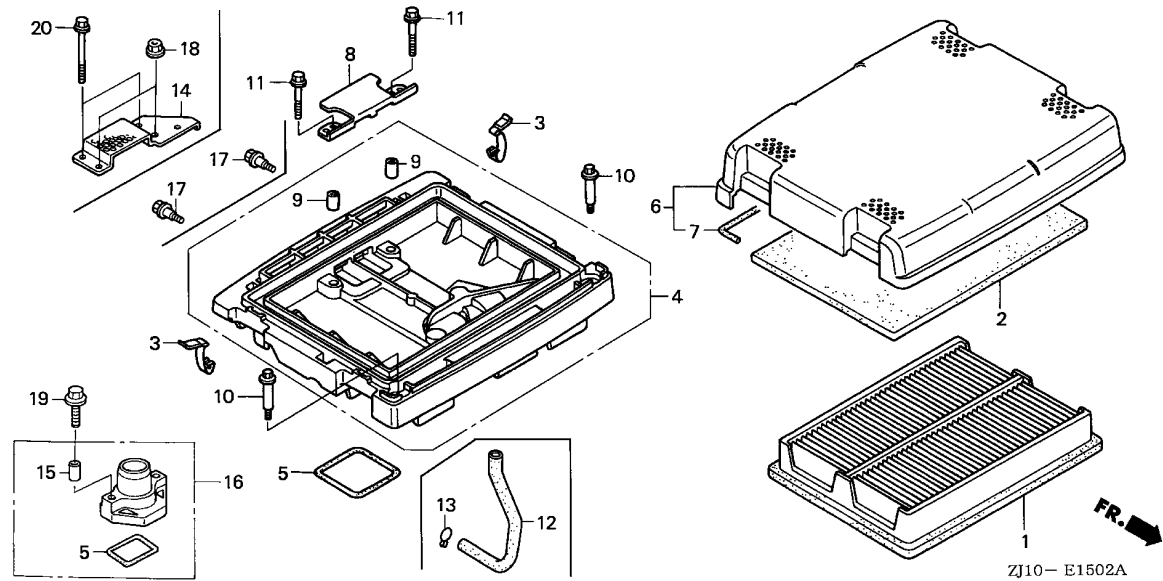
Ref. No.	Part No.	Description	Reqd. QTY					Serial No.	Parts catalogue code
			GX 620	GX 620	GX 620 K1	GX 620	GX 620 K1		
			(1)	(2)	(1)	(3)	(2)		
3	17219-ZJ1-840	CLIP, AIR CLEANER .....	-	-	4	-	-	-----	QAB, QAB/A, QAB6, QAB6/A, QAF, QAF/A, QAF1, QAF1/A, QAF5, QAF5/A, QAF6, QAF6/A, QAF7, QAF7/A, QAF8, QAF8/A, QAF9, QAF9/A, QAX1, QAX1/A, QDF, QDF/A, QDF6, QDF6/A, QDW, QDW/A, QWA6, QWA6/A, QWF6, QWF6/A, QXA, QXA/A, QXA3, QXA3/A, QXA6, QXA6/A, QXB1, QXB1/A, QXC2, QXC2/A, QXE1, QXE1/A, QXE5, QXE5/A, QXF, QXF/A, QXF3, QXF4, QXF4/A, QXF6, QXF6/A, QYA, QYA/A, QYD, QYD/A, QYF, QYF/A, QZB, QZB/A, QZB2, QZB2/A, QZB3, QZB3/A, QZD, QZD/A, QZE3, QZE3/A, QZE4, QZE4/A, QZF1, QZF1/A, QZF2, QZF2/A, QZF8, QZF8/A, QZX1, QZX1/A, QZX4, QZX4/A, QZX5, QZX5/A, SAE1, SAE1/A, SAF1, SAF1/A, SYA, SYA/A, VAF, VAF/A, VAF6, VAF6/A, VDB2, VDB2/A, VDC2, VDC2/A, VEP4, VEP4/A, VXA1, VXA1/A, VXA4, VXA4/A, VXA5, VXA5/A, VXA6, VXA6/A, VXD4, VXD4/A, VXE1, VXE1/A, VXE2, VXE2/A, VXE4, VXE4/A, VXE8, VXE8/A, VXF, VXF/A, VXF4, VXF4/A, VXP2, VXP2/A, VXZ4, VXZ4/A, VYA1, VYA3, VYA3/A, VYE3, VYE3/A, VZA1, VZE7, VZE7/A, VZE8, VZE8/A
4	17220-ZJ1-840	CASE COMP., AIR CLEANER .....	-	-	1	-	4	-----	QAB, QAB/A, QAB6, QAB6/A, QAF, QAF/A, QAF1, QAF1/A, QAF5, QAF5/A, QAF6, QAF6/A, QAF7, QAF7/A, QAF8, QAF8/A, QAF9, QAF9/A, QAX1, QAX1/A, QDF, QDF/A, QDF6, QDF6/A, QDW, QDW/A, QWA6, QWA6/A, QWF6, QWF6/A, QXA, QXA/A, QXA3, QXA3/A, QXA6, QXA6/A, QXB1, QXB1/A, QXC2, QXC2/A, QXE1, QXE1/A, QXE5, QXE5/A, QXF, QXF/A, QXF3, QXF4, QXF4/A, QXF6, QXF6/A, QYA, QYA/A, QYD, QYD/A, QYF, QYF/A, QZB, QZB/A, QZB2, QZB2/A, QZB3, QZB3/A, QZD, QZD/A, QZE3, QZE3/A, QZE4, QZE4/A, QZF1, QZF1/A, QZF2, QZF2/A, QZF8, QZF8/A, QZX1, QZX1/A, QZX4, QZX4/A, QZX5, QZX5/A, SAE1, SAE1/A, SAF1, SAF1/A, SYA, SYA/A, VAF, VAF/A, VAF6, VAF6/A, VDB2, VDB2/A, VDC2, VDC2/A, VEP4, VEP4/A, VXA1, VXA1/A, VXA4, VXA4/A, VXA5, VXA5/A, VXA6, VXA6/A, VXD4, VXD4/A, VXE1, VXE1/A, VXE2, VXE2/A, VXE4, VXE4/A, VXE8, VXE8/A, VXF, VXF/A, VXF4, VXF4/A, VXP2, VXP2/A, VXZ4, VXZ4/A, VYA1, VYA3, VYA3/A, VYE3, VYE3/A, VZA1, VZE7, VZE7/A, VZE8, VZE8/A
	17220-ZN1-820	.....	-	-	-	-	1		
5	17229-ZJ1-840	SEAL, AIR CLEANER CASE .....	-	-	1	-	-	-----	QAB, QAB/A, QAB6, QAB6/A, QAD2, QAD2/A, QAF, QAF/A, QAF1, QAF1/A, QAF5, QAF5/A, QAF6, QAF6/A, QAF7, QAF7/A, QAF8, QAF8/A, QAF9, QAF9/A, QAX1, QAX1/A, QDF, QDF/A, QDF6, QDF6/A, QDW, QDW/A, QWA6, QWA6/A, QWF6, QWF6/A, QXA, QXA/A, QXA3, QXA3/A, QXA6, QXA6/A, QXB1, QXB1/A, QXC2, QXC2/A, QXE1, QXE1/A, QXE5, QXE5/A, QXF, QXF/A, QXF3, QXF4, QXF4/A, QXF6, QXF6/A, QYA, QYA/A, QYD, QYD/A, QYF, QYF/A, QZB, QZB/A, QZB2, QZB2/A, QZB3, QZB3/A, QZD, QZD/A, QZE3, QZE3/A, QZE4, QZE4/A, QZF1, QZF1/A, QZF2, QZF2/A, QZF8, QZF8/A, QZX1, QZX1/A, QZX4, QZX4/A, QZX5, QZX5/A, SAE1, SAE1/A, SAF1, SAF1/A, SYA, SYA/A, VAF, VAF/A, VAF6, VAF6/A, VDB2, VDB2/A, VDC2, VDC2/A, VEP4, VEP4/A, VXA1, VXA1/A, VXA4, VXA4/A, VXA5, VXA5/A, VXA6, VXA6/A, VXD4, VXD4/A, VXE1, VXE1/A, VXE2, VXE2/A, VXE4, VXE4/A, VXE8, VXE8/A, VXF, VXF/A, VXF4, VXF4/A, VXP2, VXP2/A, VXZ4, VXZ4/A, VYA1, VYA3, VYA3/A, VYE3, VYE3/A, VZA1, VZE7, VZE7/A, VZE8, VZE8/A



# E-15-2

# AIR CLEANER(3)

J14



ZJ10-E1502A

Ref. No.	Part No.	Description	Reqd. QTY					Serial No.	Parts catalogue code
			GX 620	GX 620	GX 620 K1	GX 620 (3)	GX 620 (2)		
6	17230-ZJ1-840	COVER ASSY., AIR CLEANER .....	-	-	1	-	-	-----	QAB,QAB/A,QAB6,QAB6/A,QAF,QAF/A,QAF1,QAF1/A,QAF5,QAF5/A,QAF6,QAF6/A,QAF7,QAF7/A,QAF8,QAF8/A,QAF9,QAF9/A,QAX1,QAX1/A,QDF,QDF/A,QDF6,QDF6/A,QDW,QDW/A,QWA6,QWA6/A,QWF6,QWF6/A,QXA,QXA/A,QXA3,QXA3/A,QXA6,QXA6/A,QXB1,QXB1/A,QXC2,QXC2/A,QXE1,QXE1/A,QXE5,QXE5/A,QXF,QXF/A,QXF3,QXF4,QXF4/A,QXF6,QXF6/A,QYA,QYA/A,QYD,QYD/A,QYF,QYF/A,QZB,QZB/A,QZB2,QZB2/A,QZB3,QZB3/A,QZD,QZD/A,QZE3,QZE3/A,QZE4,QZE4/A,QZF1,QZF1/A,QZF2,QZF2/A,QZF8,QZF8/A,QZX1,QZX1/A,QZX4,QZX4/A,QZX5,QZX5/A,SAE1,SAE1/A,SAF1,SAF1/A,SYA,SYA/A,VAF,VAF/A, VAF6,VAF6/A,VDB2,VDB2/A,VDC2,VDC2/A,VEP4,VEP4/A,VXA1,VXA1/A,VXA4,VXA4/A,VXA5,VXA5/A,VXA6,VXA6/A,VXD4,VXD4/A,VXE1,VXE1/A,VXE2,VXE2/A,VXE4,VXE4/A,VXE8,VXE8/A,VXF,VXF/A,VXF4,VXF4/A,VXP2,VXP2/A,VXZ4,VXZ4/A,VYA1,VYA3,VYA3/A,VYE3,VYE3/A,VZA1,VZE7,VZE7/A,VZE8,VZE8/A
	17230-ZN1-820	.....	-	-	-	-	1		

2

Ref. No.	Part No.	Description	Reqd. QTY					Serial No.	Parts catalogue code
			GX 620	GX 620	GX 620 K1	GX 620	GX 620 K1		
			(1)	(2)	(1)	(3)	(2)		
7	17233-ZJ1-840	SEAL, AIR CLEANER COVER .....	-	-	1	-	-	-----	QAB, QAB/A, QAB6, QAB6/A, QAF, QAF/A, QAF1, QAF1/A, QAF5, QAF5/A, QAF6, QAF6/A, QAF7, QAF7/A, QAF8, QAF8/A, QAF9, QAF9/A, QAX1, QAX1/A, QDF, QDF/A, QDF6, QDF6/A, QDW, QDW/A, QWA6, QWA6/A, QWF6, QWF6/A, QXA, QXA/A, QXA3, QXA3/A, QXA6, QXA6/A, QXB1, QXB1/A, QXC2, QXC2/A, QXE1, QXE1/A, QXE5, QXE5/A, QXF, QXF/A, QXF3, QXF4, QXF4/A, QXF6, QXF6/A, QYA, QYA/A, QYD, QYD/A, QYF, QYF/A, QZB, QZB/A, QZB2, QZB2/A, QZB3, QZB3/A, QZD, QZD/A, QZE3, QZE3/A, QZE4, QZE4/A, QZF1, QZF1/A, QZF2, QZF2/A, QZF8, QZF8/A, QZX1, QZX1/A, QZX4, QZX4/A, QZX5, QZX5/A, SAE1, SAE1/A, SAF1, SAF1/A, SYA, SYA/A, VAF, VAF/A, VAF6, VAF6/A, VDB2, VDB2/A, VDC2, VDC2/A, VEP4, VEP4/A, VXA1, VXA1/A, VXA4, VXA4/A, VXA5, VXA5/A, VXA6, VXA6/A, VXD4, VXD4/A, VXE1, VXE1/A, VXE2, VXE2/A, VXE4, VXE4/A, VXE8, VXE8/A, VXF, VXF/A, VXF4, VXF4/A, VXP2, VXP2/A, VXZ4, VXZ4/A, VYA1, VYA3, VYA3/A, VYE3, VYE3/A, VZA1, VZE7, VZE7/A, VZE8, VZE8/A
8	17234-ZJ1-840	PLATE, AIR CLEANER SETTING ..	-	-	1	-	-	-----	QAB, QAB/A, QAB6, QAB6/A, QAF, QAF/A, QAF1, QAF1/A, QAF5, QAF5/A, QAF6, QAF6/A, QAF7, QAF7/A, QAF8, QAF8/A, QAF9, QAF9/A, QAX1, QAX1/A, QDF, QDF/A, QDF6, QDF6/A, QDW, QDW/A, QWA6, QWA6/A, QWF6, QWF6/A, QXA, QXA/A, QXA3, QXA3/A, QXA6, QXA6/A, QXB1, QXB1/A, QXC2, QXC2/A, QXE1, QXE1/A, QXE5, QXE5/A, QXF, QXF/A, QXF3, QXF4, QXF4/A, QXF6, QXF6/A, QYA, QYA/A, QYD, QYD/A, QYF, QYF/A, QZB, QZB/A, QZB2, QZB2/A, QZB3, QZB3/A, QZD, QZD/A, QZE3, QZE3/A, QZE4, QZE4/A, QZF1, QZF1/A, QZF2, QZF2/A, QZF8, QZF8/A, QZX1, QZX1/A, QZX4, QZX4/A, QZX5, QZX5/A, SAE1, SAE1/A, SAF1, SAF1/A, SYA, SYA/A, VAF, VAF/A, VAF6, VAF6/A, VDB2, VDB2/A, VDC2, VDC2/A, VEP4, VEP4/A, VXA1, VXA1/A, VXA4, VXA4/A, VXA5, VXA5/A, VXA6, VXA6/A, VXD4, VXD4/A, VXE1, VXE1/A, VXE2, VXE2/A, VXE4, VXE4/A, VXE8, VXE8/A, VXF, VXF/A, VXF4, VXF4/A, VXP2, VXP2/A, VXZ4, VXZ4/A, VYA1, VYA3, VYA3/A, VYE3, VYE3/A, VZA1, VZE7, VZE7/A, VZE8, VZE8/A
9	17238-ZJ4-830	COLLAR A, AIR CLEANER .....	-	-	2	-	-	-----	QAB, QAB/A, QAB6, QAB6/A, QAF, QAF/A, QAF1, QAF1/A, QAF5, QAF5/A, QAF6, QAF6/A, QAF7, QAF7/A, QAF8, QAF8/A, QAF9, QAF9/A, QAX1, QAX1/A, QDF, QDF/A, QDF6, QDF6/A, QDW, QDW/A, QWA6, QWA6/A, QWF6, QWF6/A, QXA, QXA/A, QXA3, QXA3/A, QXA6, QXA6/A, QXB1, QXB1/A, QXC2, QXC2/A, QXE1, QXE1/A, QXE5, QXE5/A, QXF, QXF/A, QXF3, QXF4, QXF4/A, QXF6, QXF6/A, QYA, QYA/A, QYD, QYD/A, QYF, QYF/A, QZB, QZB/A, QZB2, QZB2/A, QZB3, QZB3/A, QZD, QZD/A, QZE3, QZE3/A, QZE4, QZE4/A, QZF1, QZF1/A, QZF2, QZF2/A, QZF8, QZF8/A, QZX1, QZX1/A, QZX4, QZX4/A, QZX5, QZX5/A, SAE1, SAE1/A, SAF1, SAF1/A, SYA, SYA/A, VAF, VAF/A, VAF6, VAF6/A, VDB2, VDB2/A, VDC2, VDC2/A, VEP4, VEP4/A, VXA1, VXA1/A, VXA4, VXA4/A, VXA5, VXA5/A, VXA6, VXA6/A, VXD4, VXD4/A, VXE1, VXE1/A, VXE2, VXE2/A, VXE4, VXE4/A, VXE8, VXE8/A, VXF, VXF/A, VXF4, VXF4/A, VXP2, VXP2/A, VXZ4, VXZ4/A, VYA1, VYA3, VYA3/A, VYE3, VYE3/A, VZA1, VZE7, VZE7/A, VZE8, VZE8/A
			-	-	-	-	4		

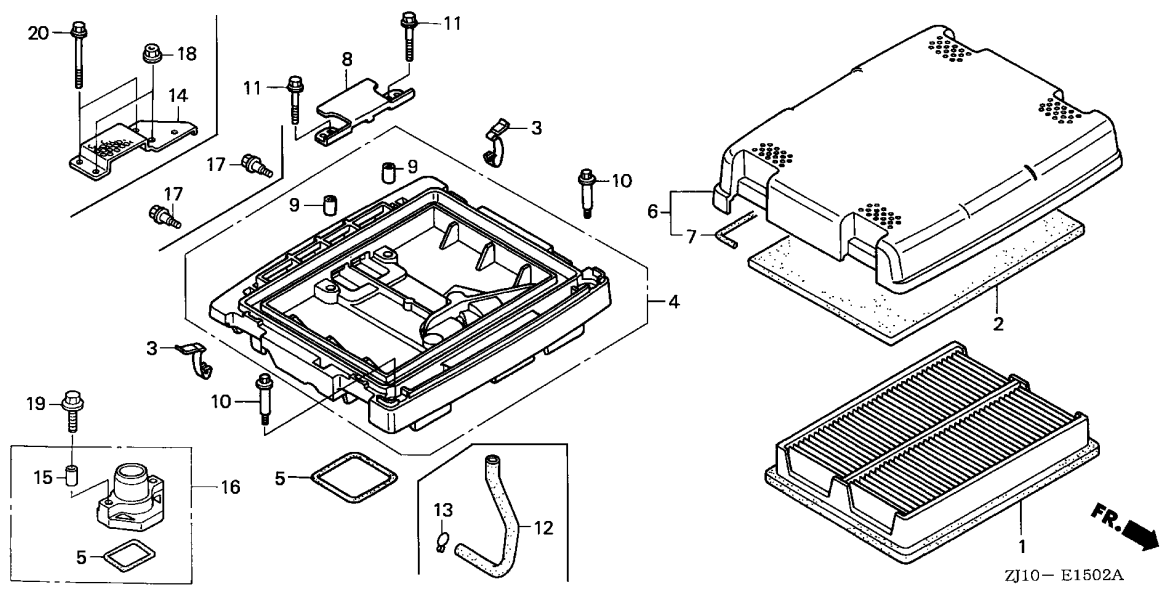




E-15-2

AIR CLEANER(3)

J16



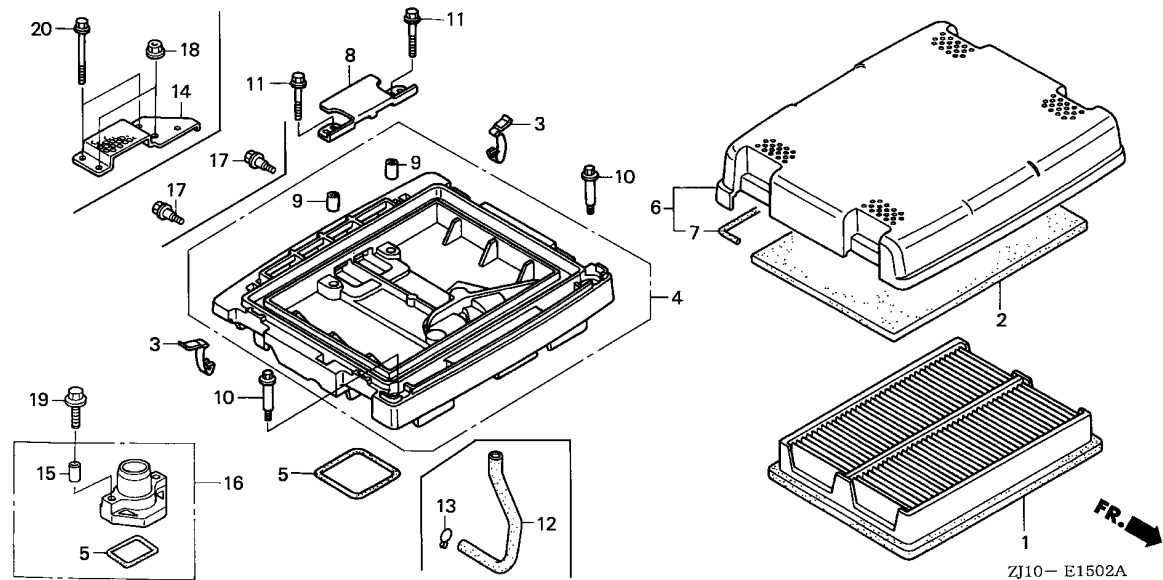
2

Ref. No.	Part No.	Description	Reqd. QTY					Serial No.	Parts catalogue code
			GX 620	GX 620	GX 620 K1	GX 620 (3)	GX 620 (2)		
10	90003-ZJ1-840	BOLT, SPECIAL, 5MM .....	-	-	2	-	-	-----	QAB,QAB/A,QAB6,QAB6/A,QAF,QAF/A,QAF1,QAF1/A,QAF5,QAF5/A,QAF6,QAF6/A,QAF7,QAF7/A,QAF8,QAF8/A,QAF9,QAF9/A,QAX1,QAX1/A,QDF,QDF/A,QDF6,QDF6/A,QDW,QDW/A,QWA6,QWA6/A,QWF6,QWF6/A,QXA,QXA/A,QXA3,QXA3/A,QXA6,QXA6/A,QXB1,QXB1/A,QXC2,QXC2/A,QXE1,QXE1/A,QXE5,QXE5/A,QXF,QXF/A,QXF3,QXF4,QXF4/A,QXF6,QXF6/A,QYA,QYA/A,QYD,QYD/A,QYF,QYF/A,QZB,QZB/A,QZB2,QZB2/A,QZB3,QZB3/A,QZD,QZD/A,QZE3,QZE3/A,QZE4,QZE4/A,QZF1,QZF1/A,QZF2,QZF2/A,QZF8,QZF8/A,QZX1,QZX1/A,QZX4,QZX4/A,QZX5,QZX5/A,SAE1,SAE1/A,SAF1,SAF1/A,SYA,SYA/A,VAF,VAF/A, VAF6,VAF6/A,VDB2,VDB2/A,VDC2,VDC2/A,VEP4,VEP4/A,VXA1,VXA1/A,VXA4,VXA4/A,VXA5,VXA5/A,VXA6,VXA6/A,VXD4,VXD4/A,VXE1,VXE1/A,VXE2,VXE2/A,VXE4,VXE4/A,VXE8,VXE8/A,VXF,VXF/A,VXF4,VXF4/A,VXP2,VXP2/A,VXZ4,VXZ4/A,VYA1,VYA3,VYA3/A,VYE3,VYE3/A,VZA1,VZE7,VZE7/A,VZE8,VZE8/A
			-	-	2	-	-		

# E-15-2

# AIR CLEANER(3)

K 1



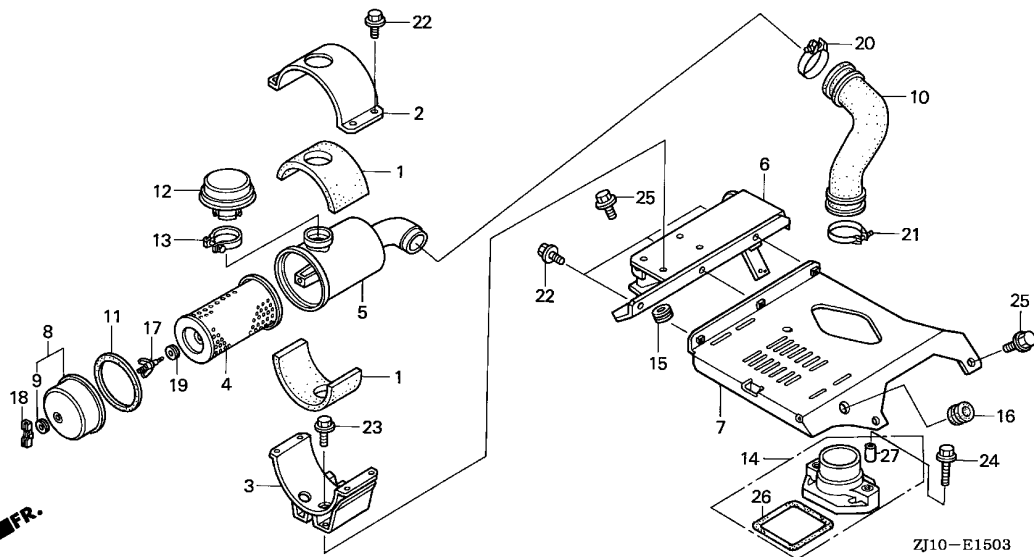
Ref. No.	Part No.	Description	Reqd. QTY					Serial No.	Parts catalogue code
			GX 620	GX 620	GX 620	GX 620	GX 620		
11	95701-06028-00	BOLT, FLANGE, 6X28	-	-	2	-	-	-----	QAB,QAB/A,QAB6,QAB6/A,QAF,QAF/A,QAF1,QAF1/A,QAF5,QAF5/A,QAF6,QAF6/A,QAF7,QAF7/A,QAF8,QAF8/A,QAF9,QAF9/A,QAX1,QAX1/A,QDF,QDF/A,QDF6,QDF6/A,QDW,QDW/A,QWA6,QWA6/A,QWF6,QWF6/A,QXA,QXA/A,QXA3,QXA3/A,QXA6,QXA6/A,QXB1,QXB1/A,QXC2,QXC2/A,QXE1,QXE1/A,QXE5,QXE5/A,QXF,QXF/A,QXF3,QXF4,QXF4/A,QXF6,QXF6/A,QYA,QYA/A,QYD,QYD/A,QYF,QYF/A,QZB,QZB/A,QZB2,QZB2/A,QZB3,QZB3/A,QZD,QZD/A,QZE3,QZE3/A,QZE4,QZE4/A,QZF1,QZF1/A,QZF2,QZF2/A,QZF8,QZF8/A,QZX1,QZX1/A,QZX4,QZX4/A,QZX5,QZX5/A,SAE1,SAE1/A,SAF1,SAF1/A,SYA,SYA/A,VAF,VAF/A,VAF6,VAF6/A,VDB2,VDB2/A,VDC2,VDC2/A,VEP4,VEP4/A,VXA1,VXA1/A,VXA4,VXA4/A,VXA5,VXA5/A,VXA6,VXA6/A,VXD4,VXD4/A,VXE1,VXE1/A,VXE2,VXE2/A,VXE4,VXE4/A,VXE8,VXE8/A,VXF,VXF/A,VXF4,VXF4/A,VXP2,VXP2/A,VXZ4,VXZ4/A,VYA1,VYA3,VYA3/A,VYE3,VYE3/A,VZA1,VZE7,VZE7/A,VZE8,VZE8/A
12	12357-ZJ4-830	TUBE, BREATHER	-	-	-	-	1	-----	
13	15772-551-000	CLIP, BREATHER TUBE	-	-	-	-	1	-----	
14	17223-ZN2-000	CAP, AIR CLEANER	-	-	-	-	1	-----	
15	17238-ZJ4-830	COLLAR A, AIR CLEANER	-	-	2	-	-	-----	QAD2,QAD2/A
16	17415-ZJ1-840	JOINT ASSY., CONNECTING TUBE (B)	-	-	1	-	-	-----	QAD2,QAD2/A
17	90002-ZJ1-840	BOLT, FLANGE, 6MM	-	-	-	-	2	-----	
18	94050-06000	NUT, FLANGE, 6MM	-	-	-	-	2	-----	
19	95701-06028-00	BOLT, FLANGE, 6X28	-	-	2	-	-	-----	QAD2,QAD2/A
20	95701-06095-00	BOLT, FLANGE, 6X95	-	-	-	-	2	-----	

2

E-15-3

AIR CLEANER(4)

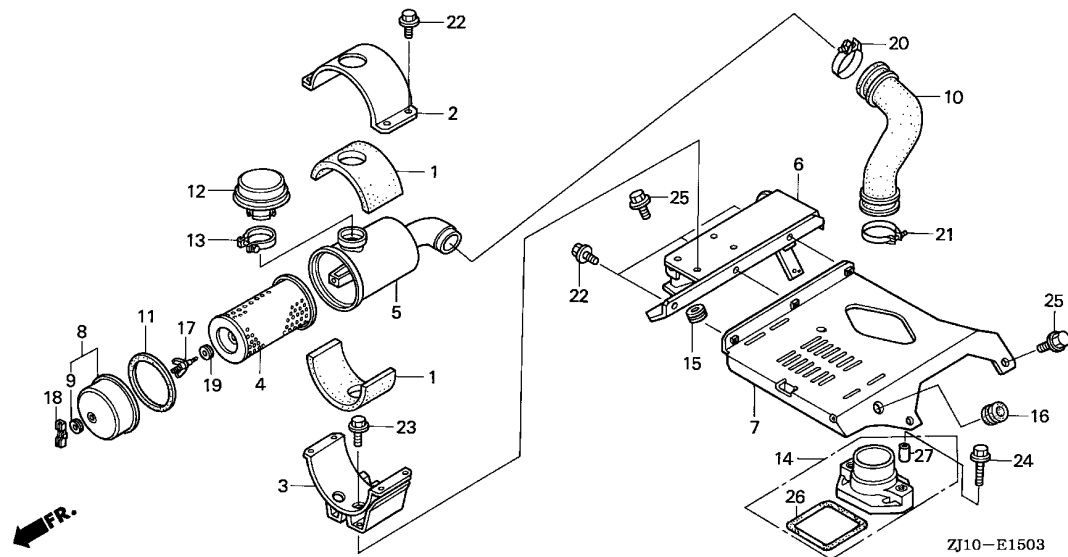
K 2



Ref. No.	L.O.N.	(Relative ref. Number) Description	F.R.T.
1	3121E7	RUBBER, AIR CLEANER HOLDER :UPPER .....	0.2
4	3121B8	ELEMENT, AIR CLEANER .....	0.1
5	3121A5	CASE, AIR CLEANER .....	0.2
6	3121H5	STAY A, AIR CLEANER .....	0.3
7	3121H6	STAY B, AIR CLEANER .....	0.3
10	3121F7	TUBE, AIR CLEANER .....	0.2
12	3121L2	CAP, AIR INTAKE .....	0.1
14	3121D5	JOINT, CONNECTING TUBE .....	0.3
26	3121E8	SEAL, AIR CLEANER CASE .....	0.2

2

Ref. No.	Part No.	Description	Reqd. QTY					Serial No.	Parts catalogue code
			GX 620 (1)	GX 620 (2)	GX 620 K1 (1)	GX 620 (3)	GX 620 K1 (2)		
1	17207-ZJ1-840	RUBBER, AIR CLEANER HOLDER UPPER	-	-	2	-	-	QAF2,QAF2/A,QXE4,QXE4/A,TXF2,TXF2/A	
2	17208-ZJ1-840	HOLDER COMP., AIR CLEANER UPPER	-	-	1	-	-	QAF2,QAF2/A,QXE4,QXE4/A,TXF2,TXF2/A	
3	17209-ZJ1-840	HOLDER COMP., AIR CLEANER LOWER	-	-	1	-	-	QAF2,QAF2/A,QXE4,QXE4/A,TXF2,TXF2/A	
4	17210-759-013	ELEMENT COMP., AIR CLEANER ..	-	-	1	-	-	QAF2,QAF2/A,QXE4,QXE4/A,TXF2,TXF2/A	
5	17220-ZJ1-850	CASE COMP., AIR CLEANER (SNORKEL)	-	-	1	-	-	QAF2,QAF2/A,QXE4,QXE4/A,TXF2,TXF2/A	
6	17222-ZJ1-850	STAY COMP. A, AIR CLEANER (SNORKEL)	-	-	1	-	-	QAF2,QAF2/A,QXE4,QXE4/A,TXF2,TXF2/A	
7	17224-ZJ1-850	STAY COMP. B, AIR CLEANER (SNORKEL)	-	-	1	-	-	QAF2,QAF2/A,QXE4,QXE4/A,TXF2,TXF2/A	
8	17230-759-003	COVER COMP., AIR CLEANER .....	-	-	1	-	-	QAF2,QAF2/A,QXE4,QXE4/A,TXF2,TXF2/A	
9	17232-891-000	GROMMET, AIR CLEANER .....	-	-	1	-	-	QAF2,QAF2/A,QXE4,QXE4/A,TXF2,TXF2/A	
10	17251-ZJ1-850	TUBE, AIR CLEANER CONNECTING	-	-	1	-	-	QAF2,QAF2/A,QXE4,QXE4/A,TXF2,TXF2/A	
11	17253-759-003	SEAL, AIR CLEANER .....	-	-	1	-	-	QAF2,QAF2/A,QXE4,QXE4/A,TXF2,TXF2/A	
12	17320-ZG5-801	CAP COMP., IN. ....	-	-	1	-	-	QAF2,QAF2/A,QXE4,QXE4/A,TXF2,TXF2/A	
13	17330-ZG5-801	CLAMP ASSY. ....	-	-	1	-	-	QAF2,QAF2/A,QXE4,QXE4/A,TXF2,TXF2/A	
14	17415-ZJ1-840	JOINT ASSY., CONNECTING TUBE (B)	-	-	1	-	-	QAF2,QAF2/A,QXE4,QXE4/A,TXF2,TXF2/A	
15	19111-MF5-000	GROMMET, RESERVE TANK .....	-	-	1	-	-	QAF2,QAF2/A,QXE4,QXE4/A,TXF2,TXF2/A	
16	83551-MB9-000	GROMMET .....	-	-	1	-	-	QAF2,QAF2/A,QXE4,QXE4/A,TXF2,TXF2/A	
17	90113-759-003	BOLT, AIR CLEANER .....	-	-	1	-	-	QAF2,QAF2/A,QXE4,QXE4/A,TXF2,TXF2/A	
18	90203-ZA0-800	NUT, WING, 6MM(BLACK) .....	-	-	1	-	-	QAF2,QAF2/A,QXE4,QXE4/A,TXF2,TXF2/A	



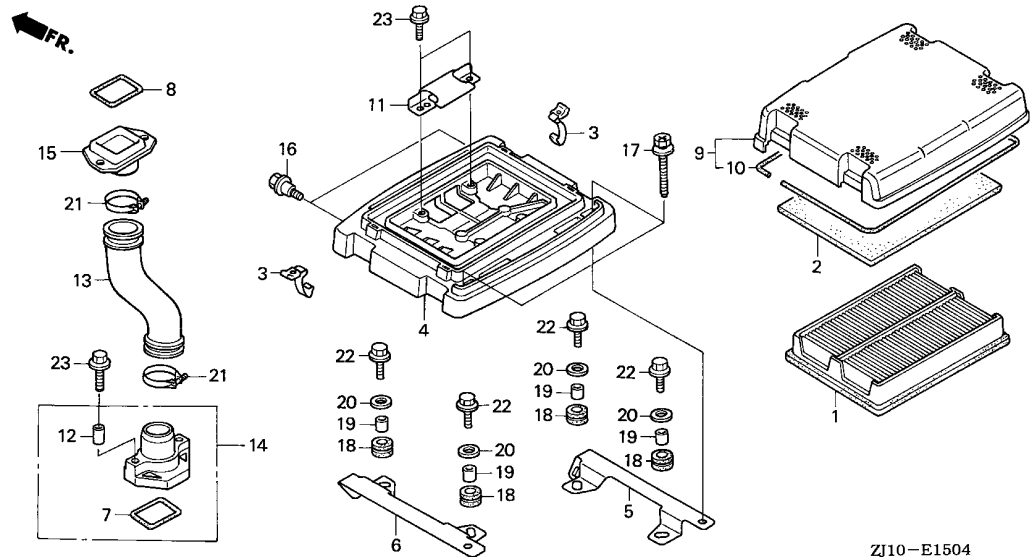
Ref. No.	Part No.	Description	Reqd. QTY					Serial No.	Parts catalogue code
			GX 620 (1)	GX 620 (2)	GX 620 K1 (1)	GX 620 (3)	GX 620 K1 (2)		
19	90502-759-003	WASHER, AIR CLEANER .....	-	-	1	-	-	QAF2,QAF2/A,QXE4,QXE4/A,TXF2,TXF2/A	
20	95018-50250	BAND, AIR CLEANER CONNECTING TUBE (50)	-	-	1	-	2068378	QAF2,QXE4,TXF2	
	95018-52250	BAND, AIR CLEANER CONNECTING TUBE (52)	-	-	1	-	2068379	QAF2/A,QXE4/A,TXF2/A	
			-	-	1	-		QAF2,QXE4,TXF2	
21	95018-58250	BAND, AIR CLEANER CONNECTING TUBE (58)	-	-	1	-	-	QAF2,QAF2/A,QXE4,QXE4/A,TXF2,TXF2/A	
22	95701-06012-00	BOLT, FLANGE, 6X12 .....	-	-	7	-	-	QAF2,QAF2/A,QXE4,QXE4/A,TXF2,TXF2/A	
23	95701-06016-00	BOLT, FLANGE, 6X16 .....	-	-	4	-	-	QAF2,QAF2/A,QXE4,QXE4/A,TXF2,TXF2/A	
24	95701-06028-00	BOLT, FLANGE, 6X28 .....	-	-	2	-	-	QAF2,QAF2/A,QXE4,QXE4/A,TXF2,TXF2/A	
25	95701-08020-00	BOLT, FLANGE, 8X20 .....	-	-	4	-	-	QAF2,QAF2/A,QXE4,QXE4/A,TXF2,TXF2/A	
26	17229-ZJ1-840	SEAL, AIR CLEANER CASE .....	-	-	1	-	-	QAF2,QAF2/A,QXE4,QXE4/A,TXF2,TXF2/A	
27	17238-ZJ4-830	COLLAR A, AIR CLEANER .....	-	-	2	-	-	QAF2,QAF2/A,QXE4,QXE4/A,TXF2,TXF2/A	



# E-15-4

# AIR CLEANER(5)

**K 4**



Ref. No.	L.O.N.	(Relative ref. Number) Description	F.R.T.
1	3121B8	ELEMENT, AIR CLEANER .....	0.1
2	3121C1	FILTER, OUTER .....	0.1
4	3121A5	CASE, AIR CLEANER .....	0.2
8	3121E8	SEAL, AIR CLEANER CASE .....	0.2
9	3121B1	COVER, AIR CLEANER .....	0.1
10	3121E9	SEAL, AIR CLEANER COVER .....	0.1
11	3121K3	PLATE, AIR CLEANER SETTING ...	0.2
13	3121F7	TUBE, AIR CLEANER .....	0.2
14	3121D5	JOINT, CONNECTING TUBE .....	0.3

ZJ10-E1504

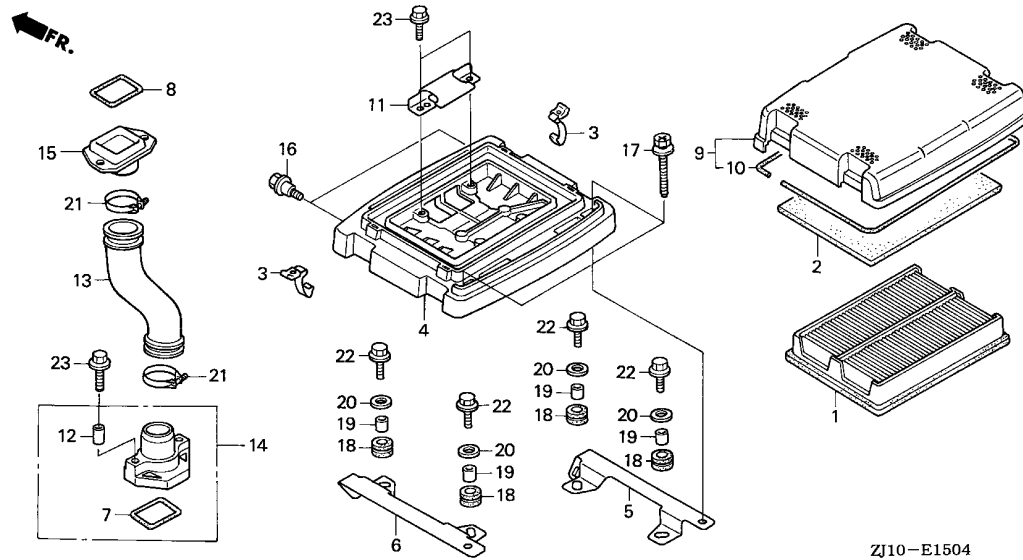
Ref. No.	Part No.	Description	Reqd. QTY					Serial No.	Parts catalogue code
			GX 620	GX 620	GX 620 K1	GX 620 (3)	GX 620 K1 (2)		
1	17210-ZJ1-841	ELEMENT COMP., AIR CLEANER ..	-	-	1	-	-	2050927	QXE7,QXE8,QXF8,QXW2,QXW4
	17210-ZJ1-842	.....	-	-	1	-	-	-----	QXE7/A,QXE8/A,QXF8/A,QXW2/A,QXW4/A
2	17218-ZJ1-840	FILTER, OUTER .....	-	-	1	-	-	2050928	QXE7,QXE8,QXF8,QXW2,QXW4
			-	-	1	-	-	-----	QXE7,QXE7/A,QXE8,QXE8/A,QXF8,QXF8/A,QXW2,QXW2/A,QXW4/QXW4/A
3	17219-ZJ1-840	CLIP, AIR CLEANER .....	-	-	4	-	-	-----	QXE7,QXE7/A,QXE8,QXE8/A,QXF8,QXF8/A,QXW2,QXW2/A,QXW4/QXW4/A
4	17220-ZN1-800	CASE COMP., AIR CLEANER .....	-	-	1	-	-	-----	QXE7,QXE7/A,QXE8,QXE8/A,QXF8,QXF8/A,QXW2,QXW2/A,QXW4/QXW4/A
5	17222-ZJ1-840	STAY, R. AIR CLEANER CASE ...	-	-	1	-	-	-----	QXE7,QXE7/A,QXE8,QXE8/A,QXF8,QXF8/A,QXW2,QXW2/A,QXW4/QXW4/A
6	17224-ZJ1-840	STAY, L. AIR CLEANER CASE ...	-	-	1	-	-	-----	QXE7,QXE7/A,QXE8,QXE8/A,QXF8,QXF8/A,QXW2,QXW2/A,QXW4/QXW4/A
7	17229-ZJ1-840	SEAL, AIR CLEANER CASE .....	-	-	1	-	-	-----	QXE7,QXE7/A,QXE8,QXE8/A,QXF8,QXF8/A,QXW2,QXW2/A,QXW4/QXW4/A
8	17229-ZN1-000	SEAL, AIR CLEANER CASE .....	-	-	1	-	-	-----	QXE7,QXE7/A,QXE8,QXE8/A,QXF8,QXF8/A,QXW2,QXW2/A,QXW4/QXW4/A
9	17230-ZJ1-840	COVER ASSY., AIR CLEANER .....	-	-	1	-	-	-----	QXE7,QXE7/A,QXE8,QXE8/A,QXF8,QXF8/A,QXW2,QXW2/A,QXW4/QXW4/A
10	17233-ZJ1-840	SEAL, AIR CLEANER COVER .....	-	-	1	-	-	-----	QXE7,QXE7/A,QXE8,QXE8/A,QXF8,QXF8/A,QXW2,QXW2/A,QXW4/QXW4/A
11	17234-ZJ1-840	PLATE, AIR CLEANER SETTING ..	-	-	1	-	-	-----	QXE7,QXE7/A,QXE8,QXE8/A,QXF8,QXF8/A,QXW2,QXW2/A,QXW4/QXW4/A
12	17238-ZJ4-830	COLLAR A, AIR CLEANER .....	-	-	2	-	-	-----	QXE7,QXE7/A,QXE8,QXE8/A,QXF8,QXF8/A,QXW2,QXW2/A,QXW4/QXW4/A

**2**

E-15-4

AIR CLEANER(5)

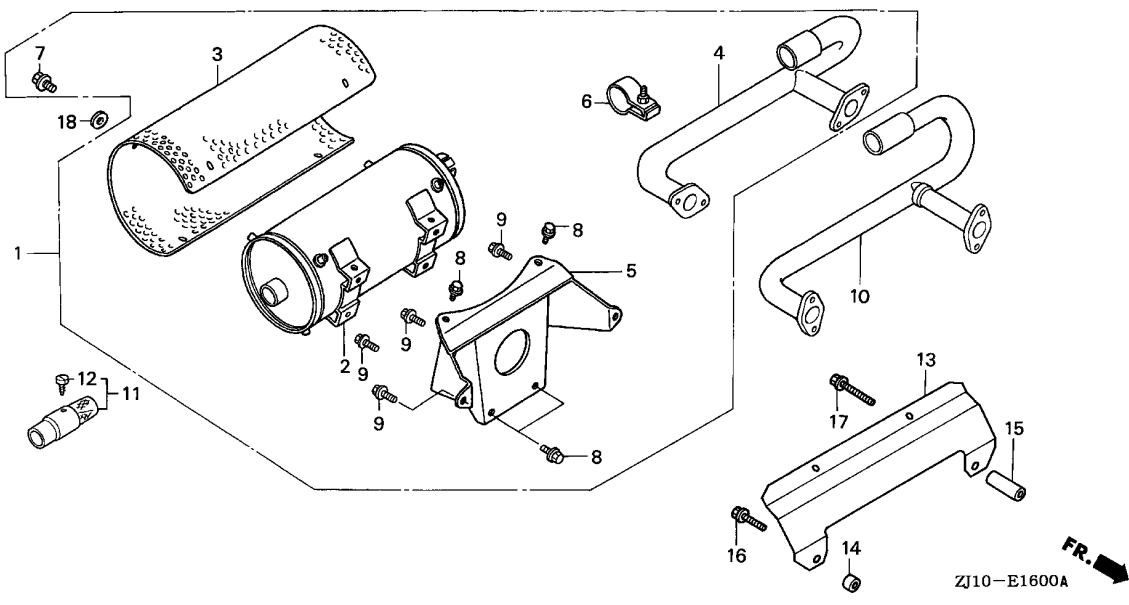
K 5



ZJ10-E1504

Ref. No.	Part No.	Description	Reqd. QTY					Serial No.	Parts catalogue code
			GX 620 (1)	GX 620 (2)	GX 620 K1 (1)	GX 620 (3)	GX 620 K1 (2)		
13	17251-ZJ1-840	TUBE, AIR CLEANER CONNECTING	-	-	1	-	-	-----	QXE7,QXE7/A,QXE8,QXE8/A,QXF8,QXF8/A,QXW2,QXW2/A,QXW4,QXW4/A
14	17415-ZJ1-840	JOINT ASSY., CONNECTING TUBE (B)	-	-	1	-	-	-----	QXE7,QXE7/A,QXE8,QXE8/A,QXF8,QXF8/A,QXW2,QXW2/A,QXW4,QXW4/A
15	17416-ZN1-000	JOINT A, CONNECTING TUBE	-	-	1	-	-	-----	QXE7,QXE7/A,QXE8,QXE8/A,QXF8,QXF8/A,QXW2,QXW2/A,QXW4,QXW4/A
16	90002-ZJ1-840	BOLT, FLANGE, 6MM	-	-	2	-	-	-----	QXE7,QXE7/A,QXE8,QXE8/A,QXF8,QXF8/A,QXW2,QXW2/A,QXW4,QXW4/A
17	90133-SG0-003	BOLT-WASHER, 5X30	-	-	2	-	-	-----	QXE7,QXE7/A,QXE8,QXE8/A,QXF8,QXF8/A,QXW2,QXW2/A,QXW4,QXW4/A
18	90852-898-000	RUBBER, CONTROL BOX	-	-	4	-	-	-----	QXE7,QXE7/A,QXE8,QXE8/A,QXF8,QXF8/A,QXW2,QXW2/A,QXW4,QXW4/A
19	91552-898-000	COLLAR, CONTROL BOX	-	-	4	-	-	-----	QXE7,QXE7/A,QXE8,QXE8/A,QXF8,QXF8/A,QXW2,QXW2/A,QXW4,QXW4/A
20	94103-06800	WASHER, PLAIN, 6MM	-	-	4	-	-	-----	QXE7,QXE7/A,QXE8,QXE8/A,QXF8,QXF8/A,QXW2,QXW2/A,QXW4,QXW4/A
21	95018-58250	BAND, AIR CLEANER CONNECTING TUBE (58)	-	-	2	-	-	-----	QXE7,QXE7/A,QXE8,QXE8/A,QXF8,QXF8/A,QXW2,QXW2/A,QXW4,QXW4/A
22	95701-06020-00	BOLT, FLANGE, 6X20	-	-	4	-	-	-----	QXE7,QXE7/A,QXE8,QXE8/A,QXF8,QXF8/A,QXW2,QXW2/A,QXW4,QXW4/A
23	95701-06028-00	BOLT, FLANGE, 6X28	-	-	4	-	-	-----	QXE7,QXE7/A,QXE8,QXE8/A,QXF8,QXF8/A,QXW2,QXW2/A,QXW4,QXW4/A

2



Ref. No.	L.O.N.	(Relative ref. Number) Description	F.R.T.
1	3131C4	MUFFLER KIT .....	0.3
2	3131C5	MUFFLER, EXHAUST .....	0.3
3	3131D6	PROTECTOR, EXHAUST MUFFLER (10) ...	0.1
4	3131C9	PIPE, EXHAUST (13) .....	0.4
5	3131E1	STAY, MUFFLER .....	0.4
11	3131A1	ARRESTER, SPARK .....	0.1

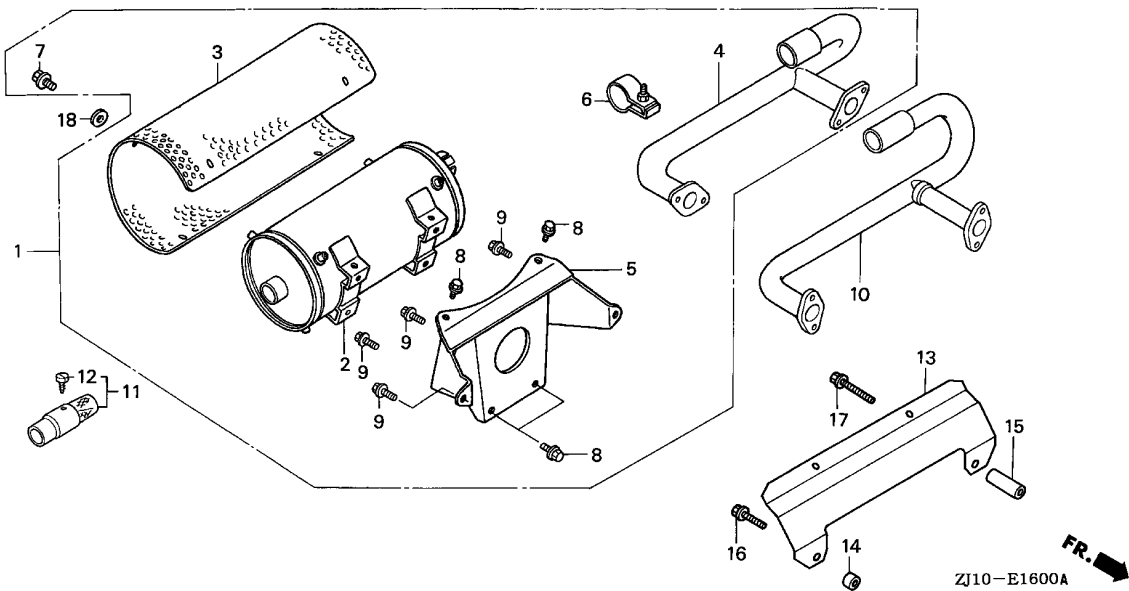
2

Ref. No.	Part No.	Description	Reqd. QTY					Serial No.	Parts catalogue code
			GX 620	GX 620	GX 620	GX 620	GX 620		
1	06183-ZJ1-810	MUFFLER KIT (HIGH-A) .....	(1)	-	-	-	-	-	-
2	18310-ZJ1-003	MUFFLER COMP. (HIGH) .....	(1)	-	-	(1)	-	-----	VABP
	18310-ZJ1-013	.....	-	-	1	-	-	-----	VABP
			-	-	(1)	-	-	-----	QAF8, QAF8/A, QXE1, QXE1/A, QZF1, QZF1/A, VXE1, VXE1/A
			-	-	(1)	-	-	-----	QAB, QAB/A, QAB6, QAB6/A, QAD2, QAD2/A, QAF, QAF/A, QAF1, QAF1/A
			-	-	-	-	-	-----	QAF2, QAF2/A, QAF5, QAF5/A, QAF6, QAF6/A, QAF7, QAF7/A, QAX1
			-	-	-	-	-	-----	QAX1/A, QDF, QDF/A, QDF6, QDF6/A, QDP2, QDP2/A, QDW, QDW/A, QWA6
			-	-	-	-	-	-----	QWA6/A, QWF6, QWF6/A, QXA, QXA/A, QXA3, QXA3/A, QXA6, QXA6/A, QXB1
			-	-	-	-	-	-----	QXB1/A, QXC2, QXC2/A, QXE4, QXE4/A, QXE5, QXE5/A, QXE7, QXE7/A
			-	-	-	-	-	-----	QXE8, QXE8/A, QXF, QXF/A, QXF3, QXF4, QXF4/A, QXF6, QXF6/A, QXF8
			-	-	-	-	-	-----	QXF8/A, QXW2, QXW2/A, QXW4, QXW4/A, QYA, QYA/A, QYF, QYF/A, QZB
			-	-	-	-	-	-----	QZB/A, QZB2, QZB2/A, QZB3, QZB3/A, QZD, QZD/A, QZE3, QZE3/A, QZE4
			-	-	-	-	-	-----	QZE4/A, QZF2, QZF2/A, QZX1, QZX1/A, QZX4, QZX4/A, QZX5, QZX5/A
			-	-	-	-	-	-----	SAE1, SAE1/A, SAF1, SAF1/A, SYA, SYA/A, TXF2, TXF2/A, VAB2, VAB2/A
			-	-	-	-	-	-----	VAB3, VAB3/A, VAF, VAF/A, VAF6, VAF6/A, VDB2, VDB2/A, VDC2, VDC2/A
			-	-	-	-	-	-----	VEP4, VEP4/A, VXA1, VXA1/A, VXA4, VXA4/A, VXA5, VXA5/A, VXA6
			-	-	-	-	-	-----	VXA6/A, VXD4, VXD4/A, VXE2, VXE2/A, VXE4, VXE4/A, VXE8, VXE8/A, VXF
			-	-	-	-	-	-----	VXF/A, VXF4, VXF4/A, VXP2, VXP2/A, VXZ4, VXZ4/A, VYA1, VYA3, VYA3/A
			-	-	-	-	-	-----	VZA1
			-	-	-	(1)	-	-----	

Ref. No.	Part No.	Description	Reqd. QTY					Serial No.	Parts catalogue code
			GX 620	GX 620	GX 620 K1	GX 620	GX 620 K1		
			(1)	(2)	(1)	(3)	(2)		
3	18321-ZJ1-003	PROTECTOR, MUFFLER (HIGH) ...	(1)	-	-	-	(1)	QAF8, QAF8/A, QXE1, QXE1/A, QZF1, QZF1/A, VXE1, VXE1/A QAB, QAB/A, QAB6, QAB6/A, QAD2, QAD2/A, QAF, QAF/A, QAF1, QAF1/A QAF2, QAF2/A, QAF5, QAF5/A, QAF6, QAF6/A, QAF7, QAF7/A, QAX1 QAX1/A, QDF, QDF/A, QDF6, QDF6/A, QDP2, QDP2/A, QDW, QDW/A, QWA6 QWA6/A, QWF6, QWF6/A, QXA, QXA/A, QXA3, QXA3/A, QXA6, QXA6/A, QXB1 QXB1/A, QXC2, QXC2/A, QXE4, QXE4/A, QXE5, QXE5/A, QXE7, QXE7/A QXE8, QXE8/A, QXF, QXF/A, QXF3, QXF4, QXF4/A, QXF6, QXF6/A, QXF8 QXF8/A, QXW2, QXW2/A, QXW4, QXW4/A, QYA, QYA/A, QYF, QYF/A, QZB QZB/A, QZB2, QZB2/A, QZB3, QZB3/A, QZD, QZD/A, QZE3, QZE3/A, QZE4 QZE4/A, QZF2, QZF2/A, QZX1, QZX1/A, QZX4, QZX4/A, QZX5, QZX5/A SAE1, SAE1/A, SAF1, SAF1/A, SYA, SYA/A, TXF2, TXF2/A, VABP, VAB2 VAB2/A, VAB3, VAB3/A, VAF, VAF/A, VAF6, VAF6/A, VDB2, VDB2/A, VDC2 VDC2/A, VEP4, VEP4/A, VXA1, VXA1/A, VXA4, VXA4/A, VXA5, VXA5/A VXA6, VXA6/A, VXD4, VXD4/A, VXE2, VXE2/A, VXE4, VXE4/A, VXE8 VXE8/A, VXF, VXF/A, VXF4, VXF4/A, VXP2, VXP2/A, VXZ4, VXZ4/A, VYA1 VYA3, VYA3/A, VZA1	
4	18330-ZJ1-003	PIPE COMP., EX. (HIGH-R) ....	(1)	-	-	-	-	VABP	
5	18338-ZJ1-003	STAY, MUFFLER (HIGH) .....	(1)	-	-	-	-	VABP	
	18338-ZJ1-841	.....	-	-	1	-	-	QAF8, QAF8/A, QXE1, QXE1/A, QZF1, QZF1/A, VXE1, VXE1/A QAB, QAB/A, QAB6, QAB6/A, QAD2, QAD2/A, QAF, QAF/A, QAF1, QAF1/A QAF2, QAF2/A, QAF5, QAF5/A, QAF6, QAF6/A, QAF7, QAF7/A, QAX1 QAX1/A, QDF, QDF/A, QDF6, QDF6/A, QDP2, QDP2/A, QDW, QDW/A, QWA6 QWA6/A, QWF6, QWF6/A, QXA, QXA/A, QXA3, QXA3/A, QXA6, QXA6/A, QXB1 QXB1/A, QXC2, QXC2/A, QXE4, QXE4/A, QXE5, QXE5/A, QXE7, QXE7/A QXE8, QXE8/A, QXF, QXF/A, QXF3, QXF4, QXF4/A, QXF6, QXF6/A, QXF8 QXF8/A, QXW2, QXW2/A, QXW4, QXW4/A, QYA, QYA/A, QYF, QYF/A, QZB QZB/A, QZB2, QZB2/A, QZB3, QZB3/A, QZD, QZD/A, QZE3, QZE3/A, QZE4 QZE4/A, QZF2, QZF2/A, QZX1, QZX1/A, QZX4, QZX4/A, QZX5, QZX5/A SAE1, SAE1/A, SAF1, SAF1/A, SYA, SYA/A, TXF2, TXF2/A, VAB2, VAB2/A VAB3, VAB3/A, VAF, VAF/A, VAF6, VAF6/A, VDB2, VDB2/A, VDC2, VDC2/A VEP4, VEP4/A, VXA1, VXA1/A, VXA4, VXA4/A, VXA5, VXA5/A, VXA6 VXA6/A, VXD4, VXD4/A, VXE2, VXE2/A, VXE4, VXE4/A, VXE8, VXE8/A, VXF VXF/A, VXF4, VXF4/A, VXP2, VXP2/A, VXZ4, VXZ4/A, VYA1, VYA3, VYA3/A VZA1	
			-	-	-	-	(1)		
6	18396-ZJ1-003	BAND ASSY. ....	(1)	-	-	-	(1)	QAF8, QAF8/A, QXE1, QXE1/A, QZF1, QZF1/A, VXE1, VXE1/A QAB, QAB/A, QAB6, QAB6/A, QAD2, QAD2/A, QAF, QAF/A, QAF1, QAF1/A QAF2, QAF2/A, QAF5, QAF5/A, QAF6, QAF6/A, QAF7, QAF7/A, QAX1 QAX1/A, QDF, QDF/A, QDF6, QDF6/A, QDP2, QDP2/A, QDW, QDW/A, QWA6 QWA6/A, QWF6, QWF6/A, QXA, QXA/A, QXA3, QXA3/A, QXA6, QXA6/A, QXB1 QXB1/A, QXC2, QXC2/A, QXE4, QXE4/A, QXE5, QXE5/A, QXE7, QXE7/A QXE8, QXE8/A, QXF, QXF/A, QXF3, QXF4, QXF4/A, QXF6, QXF6/A, QXF8 QXF8/A, QXW2, QXW2/A, QXW4, QXW4/A, QYA, QYA/A, QYF, QYF/A, QZB QZB/A, QZB2, QZB2/A, QZB3, QZB3/A, QZD, QZD/A, QZE3, QZE3/A, QZE4 QZE4/A, QZF2, QZF2/A, QZX1, QZX1/A, QZX4, QZX4/A, QZX5, QZX5/A SAE1, SAE1/A, SAF1, SAF1/A, SYA, SYA/A, TXF2, TXF2/A, VABP, VAB2 VAB2/A, VAB3, VAB3/A, VAF, VAF/A, VAF6, VAF6/A, VDB2, VDB2/A, VDC2 VDC2/A, VEP4, VEP4/A, VXA1, VXA1/A, VXA4, VXA4/A, VXA5, VXA5/A VXA6, VXA6/A, VXD4, VXD4/A, VXE2, VXE2/A, VXE4, VXE4/A, VXE8 VXE8/A, VXF, VXF/A, VXF4, VXF4/A, VXP2, VXP2/A, VXZ4, VXZ4/A, VYA1 VYA3, VYA3/A, VZA1	
			-	-	1	-	-		



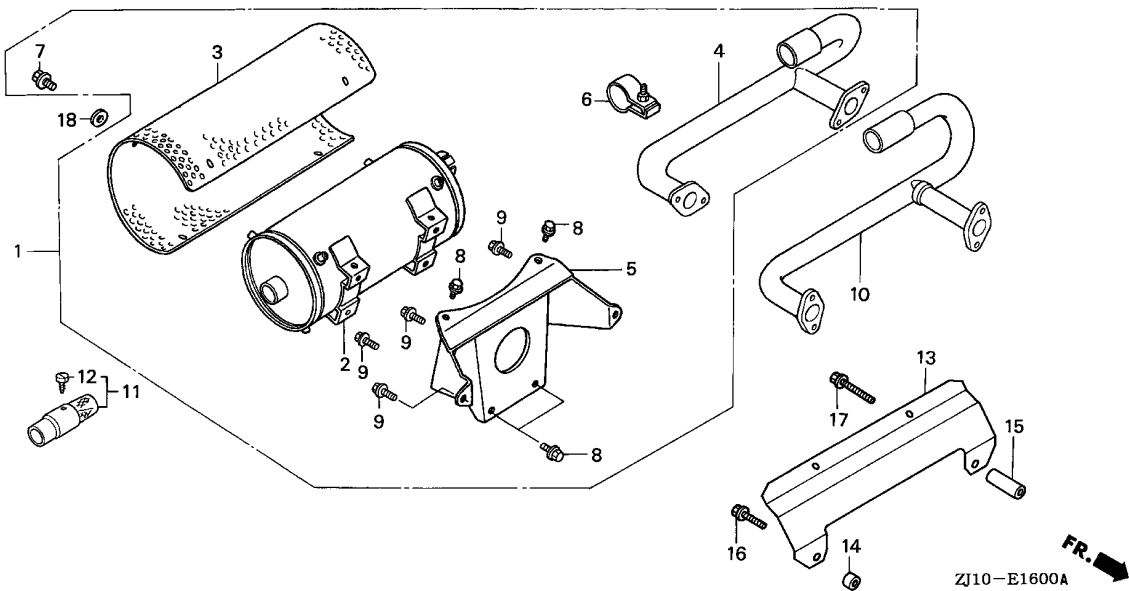




Ref. No.	Part No.	Description	Reqd. QTY					Serial No.	Parts catalogue code
			GX 620	GX 620	GX 620	GX 620	GX 620		
7	95701-06008-00	BOLT, FLANGE, 6X8	(6)	-	-	-	(6)		
			-	-	6	-	-	-----	QAF8, QAF8/A, QXE1, QXE1/A, QZF1, QZF1/A, VXE1, VXE1/A
			-	-	(6)	(6)	-	-----	QAB, QAB/A, QAB6, QAB6/A, QAD2, QAD2/A, QAF, QAF/A, QAF1, QAF1/A, QAF2, QAF2/A, QAF5, QAF5/A, QAF6, QAF6/A, QAF7, QAF7/A, QAX1, QAX1/A, QDF, QDF/A, QDF6, QDF6/A, QDP2, QDP2/A, QDW, QDW/A, QWA6, QWA6/A, QWF6, QWF6/A, QXA, QXA/A, QXA3, QXA3/A, QXA6, QXA6/A, QXB1, QXB1/A, QXC2, QXC2/A, QXE4, QXE4/A, QXE5, QXE5/A, QXE7, QXE7/A, QXE8, QXE8/A, QXF, QXF/A, QXF3, QXF4, QXF4/A, QXF6, QXF6/A, QXF8, QXF8/A, QXW2, QXW2/A, QXW4, QXW4/A, QYA, QYA/A, QYF, QYF/A, QZB, QZB/A, QZB2, QZB2/A, QZB3, QZB3/A, QZD, QZD/A, QZE3, QZE3/A, QZE4, QZE4/A, QZF2, QZF2/A, QZX1, QZX1/A, QZX4, QZX4/A, QZX5, QZX5/A, SAE1, SAE1/A, SAF1, SAF1/A, SYA, SYA/A, TXF2, TXF2/A, VABP, VAB2, VAB2/A, VAB3, VAB3/A, VAF, VAF/A, VAF6, VAF6/A, VDB2, VDB2/A, VDC2, VDC2/A, VEP4, VEP4/A, VXA1, VXA1/A, VXA4, VXA4/A, VXA5, VXA5/A, VXA6, VXA6/A, VXD4, VXD4/A, VXE2, VXE2/A, VXE4, VXE4/A, VXE8, VXE8/A, VXF, VXF/A, VXF4, VXF4/A, VXP2, VXP2/A, VXZ4, VXZ4/A, VYA1, VYA3, VYA3/A, VZA1

Ref. No.	Part No.	Description	Reqd. QTY					Serial No.	Parts catalogue code
			GX 620	GX 620	GX 620 K1	GX 620	GX 620 K1		
			(1)	(2)	(1)	(3)	(2)		
8	95701-08014-00	BOLT, FLANGE, 8X14 .....	(4)	-	-	-	(4)	QAF8,QAF8/A,QXE1,QXE1/A,QZF1,QZF1/A,VXE1,VXE1/A QAB,QAB/A,QAB6,QAB6/A,QAD2,QAD2/A,QAF,QAF/A,QAF1,QAF1/A QAF2,QAF2/A,QAF5,QAF5/A,QAF6,QAF6/A,QAF7,QAF7/A,QAX1 QAX1/A,QDF,QDF/A,QDF6,QDF6/A,QDP2,QDP2/A,QDW,QDW/A,QWA6 QWA6/A,QWF6,QWF6/A,QXA,QXA/A,QXA3,QXA3/A,QXA6,QXA6/A,QXB1 QXB1/A,QXC2,QXC2/A,QXE4,QXE4/A,QXE5,QXE5/A,QXE7,QXE7/A QXE8,QXE8/A,QXF,QXF/A,QXF3,QXF4,QXF4/A,QXF6,QXF6/A,QXF8 QXF8/A,QXW2,QXW2/A,QXW4,QXW4/A,QYA,QYA/A,QYF,QYF/A,QZB QZB/A,QZB2,QZB2/A,QZB3,QZB3/A,QZD,QZD/A,QZE3,QZE3/A,QZE4 QZE4/A,QZF2,QZF2/A,QZX1,QZX1/A,QZX4,QZX4/A,QZX5,QZX5/A SAE1,SAE1/A,SAF1,SAF1/A,SYA,SYA/A,TFX2,TFX2/A,VABP,VAB2 VAB2/A,VAB3,VAB3/A,VAF,VAF/A,VAF6,VAF6/A,VDB2,VDB2/A,VDC2 VDC2/A,VEP4,VEP4/A,VXA1,VXA1/A,VXA4,VXA4/A,VXA5,VXA5/A VXA6,VXA6/A,VXD4,VXD4/A,VXE2,VXE2/A,VXE4,VXE4/A,VXE8 VXE8/A,VXF,VXF/A,VXF4,VXF4/A,VXP2,VXP2/A,VXZ4,VXZ4/A,VYA1 VYA3,VYA3/A,VZA1	
9	95701-08020-00	BOLT, FLANGE, 8X20 .....	(4)	-	-	-	(4)	QAF8,QAF8/A,QXE1,QXE1/A,QZF1,QZF1/A,VXE1,VXE1/A QAB,QAB/A,QAB6,QAB6/A,QAD2,QAD2/A,QAF,QAF/A,QAF1,QAF1/A QAF2,QAF2/A,QAF5,QAF5/A,QAF6,QAF6/A,QAF7,QAF7/A,QAX1 QAX1/A,QDF,QDF/A,QDF6,QDF6/A,QDP2,QDP2/A,QDW,QDW/A,QWA6 QWA6/A,QWF6,QWF6/A,QXA,QXA/A,QXA3,QXA3/A,QXA6,QXA6/A,QXB1 QXB1/A,QXC2,QXC2/A,QXE4,QXE4/A,QXE5,QXE5/A,QXE7,QXE7/A QXE8,QXE8/A,QXF,QXF/A,QXF3,QXF4,QXF4/A,QXF6,QXF6/A,QXF8 QXF8/A,QXW2,QXW2/A,QXW4,QXW4/A,QYA,QYA/A,QYF,QYF/A,QZB QZB/A,QZB2,QZB2/A,QZB3,QZB3/A,QZD,QZD/A,QZE3,QZE3/A,QZE4 QZE4/A,QZF2,QZF2/A,QZX1,QZX1/A,QZX4,QZX4/A,QZX5,QZX5/A SAE1,SAE1/A,SAF1,SAF1/A,SYA,SYA/A,TFX2,TFX2/A,VABP,VAB2 VAB2/A,VAB3,VAB3/A,VAF,VAF/A,VAF6,VAF6/A,VDB2,VDB2/A,VDC2 VDC2/A,VEP4,VEP4/A,VXA1,VXA1/A,VXA4,VXA4/A,VXA5,VXA5/A VXA6,VXA6/A,VXD4,VXD4/A,VXE2,VXE2/A,VXE4,VXE4/A,VXE8 VXE8/A,VXF,VXF/A,VXF4,VXF4/A,VXP2,VXP2/A,VXZ4,VXZ4/A,VYA1 VYA3,VYA3/A,VZA1	
10	18330-ZJ1-841	PIPE COMP., EX. (HIGH-R) ....	-	-	1	-	-	QAF8,QAF8/A,QXE1,QXE1/A,QZF1,QZF1/A,VXE1,VXE1/A QAB,QAB/A,QAB6,QAB6/A,QAD2,QAD2/A,QAF,QAF/A,QAF1,QAF1/A QAF2,QAF2/A,QAF5,QAF5/A,QAF6,QAF6/A,QAF7,QAF7/A,QAX1 QAX1/A,QDF,QDF/A,QDF6,QDF6/A,QDP2,QDP2/A,QDW,QDW/A,QWA6 QWA6/A,QWF6,QWF6/A,QXA,QXA/A,QXA3,QXA3/A,QXA6,QXA6/A,QXB1 QXB1/A,QXC2,QXC2/A,QXE4,QXE4/A,QXE5,QXE5/A,QXE7,QXE7/A QXE8,QXE8/A,QXF,QXF/A,QXF3,QXF4,QXF4/A,QXF6,QXF6/A,QXF8 QXF8/A,QXW2,QXW2/A,QXW4,QXW4/A,QYA,QYA/A,QYF,QYF/A,QZB QZB/A,QZB2,QZB2/A,QZB3,QZB3/A,QZD,QZD/A,QZE3,QZE3/A,QZE4 QZE4/A,QZF2,QZF2/A,QZX1,QZX1/A,QZX4,QZX4/A,QZX5,QZX5/A SAE1,SAE1/A,SAF1,SAF1/A,SYA,SYA/A,TFX2,TFX2/A,VAB2,VAB2/A VAB3,VAB3/A,VAF,VAF/A,VAF6,VAF6/A,VDB2,VDB2/A,VDC2,VDC2/A VEP4,VEP4/A,VXA1,VXA1/A,VXA4,VXA4/A,VXA5,VXA5/A,VXA6 VXA6/A,VXD4,VXD4/A,VXE2,VXE2/A,VXE4,VXE4/A,VXE8,VXE8/A,VXF VXF/A,VXF4,VXF4/A,VXP2,VXP2/A,VXZ4,VXZ4/A,VYA1,VYA3,VYA3/A VZA1	
			-	-	-	-	(1)		





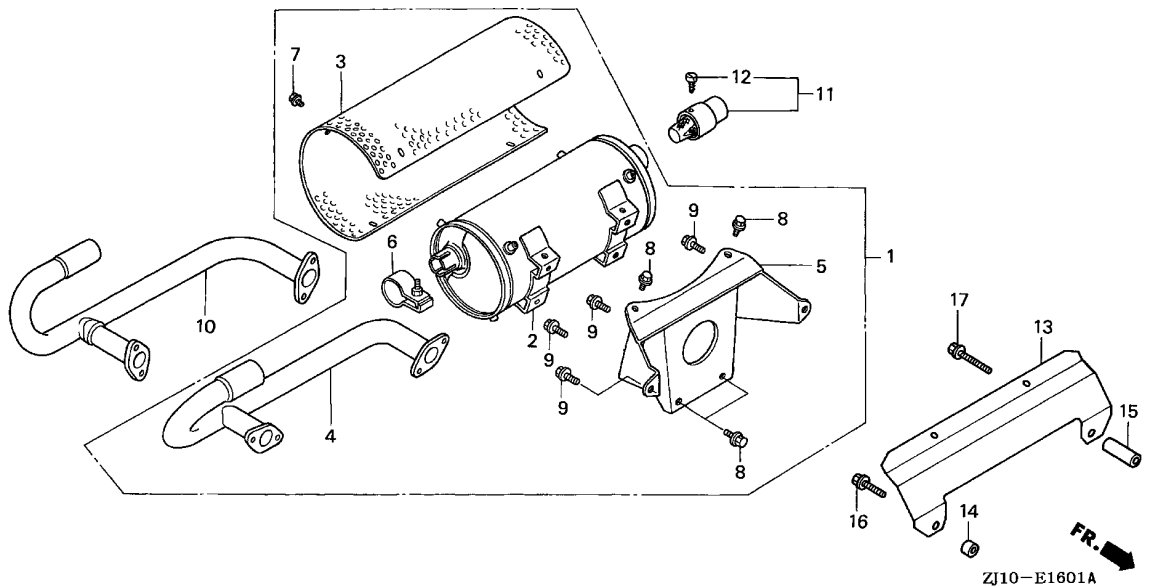
ZJ10-E1600A



Ref. No.	Part No.	Description	Reqd. QTY					Serial No.	Parts catalogue code
			GX 620	GX 620	GX 620	GX 620	GX 620		
11	18355-ZJ1-003	ARRESTER, SPARK	(1)	-	(1)	(1)	-	-----	QAB,QAB/A,QAB6/A,QAD2,QAD2/A,QAF,QAF/A,QAFP,QAFU,QAF1/A,QAF2,QAF2/A,QAF5,QAF5/A,QAF6,QAF6/A,QAF7/A,QAF8/A,QAP2,QAX1,QAX1/A,QDF,QDF/A,QDF6/A,QDP2,QDP2/A,QDW/A,QWA6,QWA6/A,QWF6,QWF6/A,QXA,QXA/A,QXAP,QXAU,QXA3/A,QXA6/A,QXB1,QXB1/A,QXC2,QXC2/A,QXE1/A,QXE3,QXE4,QXE4/A,QXE5,QXE5/A,QXE7,QXE7/A,QXE8,QXE8/A,QXF,QXF/A,QXF1,QXF3,QXF4,QXF4/A,QXF6/A,QXF8,QXF8/A,QXW2,QXW2/A,QXW4,QXW4/A,QYA,QYA/A,QYF,QYF/A,QZB,QZB/A,QZB2,QZB2/A,QZB3,QZB3/A,QZD,QZD/A,QZE3,QZE3/A,QZE4,QZE4/A,QZF1,QZF1/A,QZF2,QZF2/A,QZX1,QZX1/A,QZX4/A,QZX5,QZX5/A,SAE1,SAE1/A,SAF1,SAF1/A,SYA,SYA/A,TFX2/A,VAB2,VAB2/A,VAB3,VAB3/A,VAF,VAF/A,VAFP,VAFU,VAF6/A,VDB2,VDB2/A,VDC2,VDC2/A,VEP4,VEP4/A,VXAP,VXAU,VXA1/A,VXA4,VXA4/A,VXA5,VXA5/A,VXA6,VXA6/A,VXD4,VXD4/A,VXE1/A,VXE2,VXE2/A,VXE4/A,VXE8,VXE8/A,VXF,VXF/A,VXF4,VXF4/A,VXP2,VXP2/A,VXZ4/A,VYA1,VYA3,VYA3/A,VZE1,VZE5
			(1)	-	-	-	-	-----	VZE7,VZE8
			-	-	(1)	-	-	-----	QAB6,QAF1,QAF7,QAF8,QDF6,QDW,QXA3,QXA6,QXE1,QXF6,QZX4,TFX2
			-	-	-	-	(1)	-----	VAF6,VXA1,VXE1,VXE4,VXZ4,VZA1

Ref. No.	Part No.	Description	Reqd. QTY					Serial No.	Parts catalogue code
			GX 620	GX 620	GX 620 K1	GX 620 (3)	GX 620 K1 (2)		
12	90009-ZJ1-801	SCREW, (NELSON) .....	(1)	-	(1)	(1)	-	-----	QAB, QAB/A, QAB6/A, QAD2, QAD2/A, QAF, QAF/A, QAFP, QAFU, QAF1/A, QAF2, QAF2/A, QAF5, QAF5/A, QAF6, QAF6/A, QAF7/A, QAF8/A, QAF2 QAX1, QAX1/A, QDF, QDF/A, QDF6/A, QDP2, QDP2/A, QDW/A, QWA6, QWA6/A, QWF6, QWF6/A, QXA, QXA/A, QXAP, QXAU, QXA3/A, QXA6/A, QXB1, QXB1/A, QXC2, QXC2/A, QXE1/A, QXE3, QXE4, QXE4/A, QXE5, QXE5/A, QXE7 QXE7/A, QXE8, QXE8/A, QXF, QXF/A, QXF1, QXF3, QXF4, QXF4/A, QXF6/A, QXF8, QXF8/A, QXW2, QXW2/A, QXW4, QXW4/A, QYA, QYA/A, QYF, QYF/A, QZB, QZB/A, QZB2, QZB2/A, QZB3, QZB3/A, QZD, QZD/A, QZE3, QZE3/A, QZE4, QZE4/A, QZF1, QZF1/A, QZF2, QZF2/A, QZX1, QZX1/A, QZX4/A, QZX5, QZX5/A, SAE1, SAE1/A, SAF1, SAF1/A, SYA, SYA/A, TXF2/A, VAB2 VAB2/A, VAB3, VAB3/A, VAF, VAF/A, VAFP, VAFU, VAF6/A, VDB2, VDB2/A, VDC2, VDC2/A, VEP4, VEP4/A, VXAP, VXAU, VXA1/A, VXA4, VXA4/A, VXA5 VXA5/A, VXA6, VXA6/A, VXD4, VXD4/A, VXE1/A, VXE2, VXE2/A, VXE4/A, VXE8, VXE8/A, VXF, VXF/A, VXF4, VXF4/A, VXP2, VXP2/A, VXZ4/A, VYA1 VYA3, VYA3/A, VZE1, VZE5
			(1)	-	-	-	-----	VZE7, VZE8	
			-	-	(1)	-	-----	QAB6, QAF1, QAF7, QAF8, QDF6, QDW, QXA3, QXA6, QXE1, QXF6, QZX4, TXF2 VAF6, VXA1, VXE1, VXE4, VXZ4, VZA1	
13	18343-ZJ1-840	GUARD, HEAT .....	-	-	-	(1)	-----	QXF8, QXF8/A	
14	90501-GK8-870	COLLAR, MUFFLER MOUNTING .....	-	-	(1)	-	-----	QXE7, QXE7/A, QXE8, QXE8/A, QXW2, QXW2/A, QXW4, QXW4/A	
15	90503-MAH-000	COLLAR, ENGINE MOUNTING .....	-	-	(1)	-	-----	QXF8, QXF8/A	
16	95701-08028-00	BOLT, FLANGE, 8X28 .....	-	-	(1)	-	-----	QXF8, QXF8/A	
17	95701-08045-00	BOLT, FLANGE, 8X45 .....	-	-	(1)	-	-----	QXF8, QXF8/A	
18	94111-06800	WASHER, SPRING, 6MM .....	6	-	-	-	-----	QXE7, QXE7/A, QXE8, QXE8/A, QXW2, QXW2/A, QXW4, QXW4/A QXF1, QXF3, SAE1	





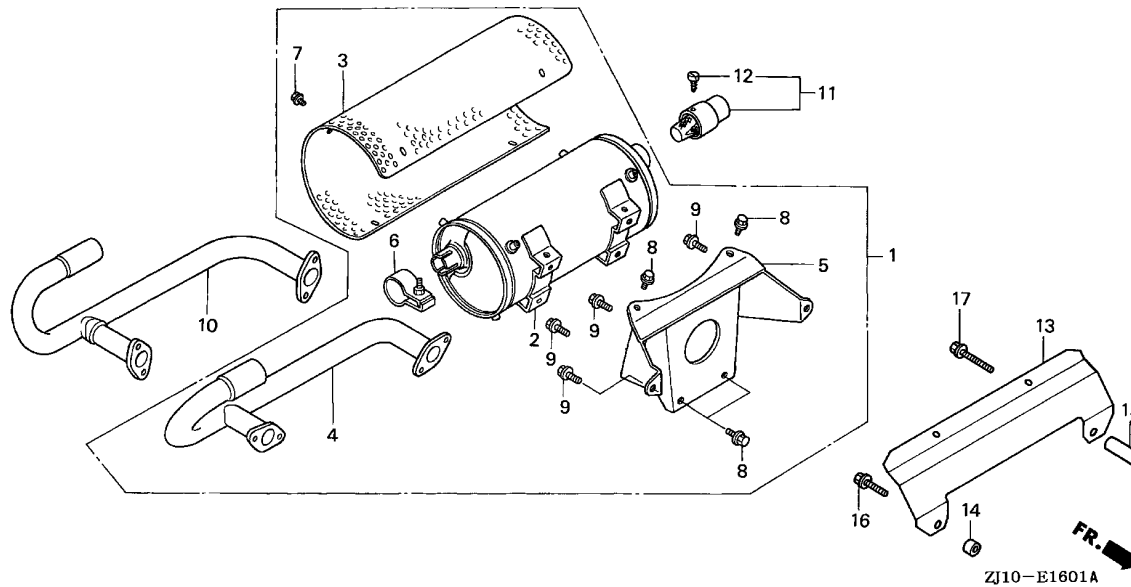
Ref. No.	L.O.N.	(Relative ref. Number) Description	F.R.T.
1	3131C4	MUFFLER KIT .....	0.3
2	3131F7	MUFFLER, EXHAUST(A) .....	0.4
3	3131D6	PROTECTOR, EXHAUST MUFFLER (10) ...	0.1
4	3131C9	PIPE, EXHAUST .....	0.4
5	3131E1	STAY, MUFFLER .....	0.4
11	3131A1	ARRESTER, SPARK .....	0.1

2

Ref. No.	Part No.	Description	Reqd. QTY					Serial No.	Parts catalogue code
			GX 620	GX 620	GX 620	GX 620	GX 620		
1	06183-ZJ1-820	MUFFLER KIT (HIGH-B) .....	(1)	-	-	-	-	-	-
2	18310-ZJ1-003	MUFFLER COMP. (HIGH) .....	(1)	-	-	(1)	-	-----	VABP
	18310-ZJ1-013	.....	-	-	1	-	-	-----	VABP
			-	-	(1)	-	-	-----	QAF5, QAF5/A, QAF6, QAF6/A, QAF9, QAF9/A, QXF3, QXF8, QXF8/A, QZF2, QZF2/A, SAE1, SAE1/A, SAF1, SAF1/A, VYE3, VYE3/A
			-	-	(1)	-	-	-----	QAB, QAB/A, QAB6, QAB6/A, QAD2, QAD2/A, QAF, QAF/A, QAF1, QAF1/A, QAF2, QAF2/A, QAF7, QAF7/A, QAF8, QAF8/A, QAX1, QAX1/A, QDF, QDF/A, QDF6, QDF6/A, QDP2, QDP2/A, QDW, QDW/A, QWA6, QWA6/A, QWF6, QWF6/A, QXA, QXA/A, QXA3, QXA3/A, QXA6, QXA6/A, QXB1, QXB1/A, QXC2, QXC2/A, QXE1, QXE1/A, QXE4, QXE4/A, QXE5, QXE5/A, QXE7, QXE7/A, QXE8, QXE8/A, QXF, QXF/A, QXF4, QXF4/A, QXF6, QXF6/A, QXW2, QXW2/A, QXW4, QXW4/A, QYA, QYA/A, QYF, QYF/A, QZB, QZB/A, QZB2, QZB2/A, QZB3, QZB3/A, QZD, QZD/A, QZE3, QZE3/A, QZE4, QZE4/A, QZF1, QZF1/A, QZX1, QZX1/A, QZX4, QZX4/A, QZX5, QZX5/A, TXF2, TXF2/A, VAB2, VAB2/A, VAB3, VAB3/A, VAF, VAF/A, VAF6, VAF6/A, VDB2, VDB2/A, VDC2, VDC2/A, VEP4, VEP4/A, VXA1, VXA1/A, VXA4, VXA4/A, VXA5, VXA5/A, VXA6, VXA6/A, VXD4, VXD4/A, VXE1, VXE1/A, VXE2, VXE2/A, VXE4, VXE4/A, VXE8, VXE8/A, VXF, VXF/A, VXF4, VXF4/A, VXP2, VXP2/A, VXZ4, VXZ4/A, VYA1, VYA3, VYA3/A, VZA1
			-	-	-	(1)	-	-	-

Ref. No.	Part No.	Description	Reqd. QTY					Serial No.	Parts catalogue code
			GX 620	GX 620	GX 620 K1	GX 620	GX 620 K1		
			(1)	(2)	(1)	(3)	(2)		
3	18321-ZJ1-003	PROTECTOR, MUFFLER (HIGH) ...	(1)	-	-	-	(1)	QAF5, QAF5/A, QAF6, QAF6/A, QAF9, QAF9/A, QXF3, QXF8, QXF8/A, QZF2 QZF2/A, SAE1, SAE1/A, SAF1, SAF1/A, VYE3, VYE3/A QAF2, QAF2/A, QAF7, QAF7/A, QAF8, QAF8/A, QAX1, QAX1/A, QDF, QDF/A QDF6, QDF6/A, QDP2, QDP2/A, QDW, QDW/A, QWA6, QWA6/A, QWF6, QWF6/A QXA, QXA/A, QXA3, QXA3/A, QXA6, QXA6/A, QXB1, QXB1/A, QXC2, QXC2/A QXE1, QXE1/A, QXE4, QXE4/A, QXE5, QXE5/A, QXE7, QXE7/A, QXE8 QXE8/A, QXF, QXF/A, QXF4, QXF4/A, QXF6, QXF6/A, QXW2, QXW2/A, QXW4 QXW4/A, QYA, QYA/A, QYF, QYF/A, QZB, QZB/A, QZB2, QZB2/A, QZB3 QZB3/A, QZD, QZD/A, QZE3, QZE3/A, QZE4, QZE4/A, QZF1, QZF1/A, QZX1 QZX1/A, QZX4, QZX4/A, QZX5, QZX5/A, TXF2, TXF2/A, VABP, VAB2 VAB2/A, VAB3, VAB3/A, VAF, VAF/A, VAF6, VAF6/A, VDB2, VDB2/A, VDC2 VDC2/A, VEP4, VEP4/A, VXA1, VXA1/A, VXA4, VXA4/A, VXA5, VXA5/A VXA6, VXA6/A, VXD4, VXD4/A, VXE1, VXE1/A, VXE2, VXE2/A, VXE4 VXE4/A, VXE8, VXE8/A, VXF, VXF/A, VXF4, VXF4/A, VXP2, VXP2/A, VXZ4 VXZ4/A, VYA1, VYA3, VYA3/A, VZA1	
4	18330-ZJ1-601	PIPE COMP., EX. (HIGH-L) ....	(1)	-	-	-	-	VABP	
5	18338-ZJ1-003	STAY, MUFFLER (HIGH) .....	(1)	-	-	-	-	VABP	
	18338-ZJ1-841	.....	-	-	1	-	-	QAF5, QAF5/A, QAF6, QAF6/A, QAF9, QAF9/A, QXF3, QXF8, QXF8/A, QZF2 QZF2/A, SAE1, SAE1/A, SAF1, SAF1/A, VYE3, VYE3/A QAB, QAB/A, QAB6, QAB6/A, QAD2, QAD2/A, QAF, QAF/A, QAF1, QAF1/A QAF2, QAF2/A, QAF7, QAF7/A, QAF8, QAF8/A, QAX1, QAX1/A, QDF, QDF/A QDF6, QDF6/A, QDP2, QDP2/A, QDW, QDW/A, QWA6, QWA6/A, QWF6, QWF6/A QXA, QXA/A, QXA3, QXA3/A, QXA6, QXA6/A, QXB1, QXB1/A, QXC2, QXC2/A QXE1, QXE1/A, QXE4, QXE4/A, QXE5, QXE5/A, QXE7, QXE7/A, QXE8 QXE8/A, QXF, QXF/A, QXF4, QXF4/A, QXF6, QXF6/A, QXW2, QXW2/A, QXW4 QXW4/A, QYA, QYA/A, QYF, QYF/A, QZB, QZB/A, QZB2, QZB2/A, QZB3 QZB3/A, QZD, QZD/A, QZE3, QZE3/A, QZE4, QZE4/A, QZF1, QZF1/A, QZX1 QZX1/A, QZX4, QZX4/A, QZX5, QZX5/A, TXF2, TXF2/A, VAB2, VAB2/A VAB3, VAB3/A, VAF, VAF/A, VAF6, VAF6/A, VDB2, VDB2/A, VDC2, VDC2/A VEP4, VEP4/A, VXA1, VXA1/A, VXA4, VXA4/A, VXA5, VXA5/A, VXA6 VXA6/A, VXD4, VXD4/A, VXE1, VXE1/A, VXE2, VXE2/A, VXE4, VXE4/A VXE8, VXE8/A, VXF, VXF/A, VXF4, VXF4/A, VXP2, VXP2/A, VXZ4, VXZ4/A VYA1, VYA3, VYA3/A, VZA1	
			-	-	-	-	(1)		
6	18396-ZJ1-003	BAND ASSY. ....	(1)	-	-	-	(1)	QAF5, QAF5/A, QAF6, QAF6/A, QAF9, QAF9/A, QXF3, QXF8, QXF8/A, QZF2 QZF2/A, SAE1, SAE1/A, SAF1, SAF1/A, VYE3, VYE3/A QAB, QAB/A, QAB6, QAB6/A, QAD2, QAD2/A, QAF, QAF/A, QAF1, QAF1/A QAF2, QAF2/A, QAF7, QAF7/A, QAF8, QAF8/A, QAX1, QAX1/A, QDF, QDF/A QDF6, QDF6/A, QDP2, QDP2/A, QDW, QDW/A, QWA6, QWA6/A, QWF6, QWF6/A QXA, QXA/A, QXA3, QXA3/A, QXA6, QXA6/A, QXB1, QXB1/A, QXC2, QXC2/A QXE1, QXE1/A, QXE4, QXE4/A, QXE5, QXE5/A, QXE7, QXE7/A, QXE8 QXE8/A, QXF, QXF/A, QXF4, QXF4/A, QXF6, QXF6/A, QXW2, QXW2/A, QXW4 QXW4/A, QYA, QYA/A, QYF, QYF/A, QZB, QZB/A, QZB2, QZB2/A, QZB3 QZB3/A, QZD, QZD/A, QZE3, QZE3/A, QZE4, QZE4/A, QZF1, QZF1/A, QZX1 QZX1/A, QZX4, QZX4/A, QZX5, QZX5/A, TXF2, TXF2/A, VABP, VAB2 VAB2/A, VAB3, VAB3/A, VAF, VAF/A, VAF6, VAF6/A, VDB2, VDB2/A, VDC2 VDC2/A, VEP4, VEP4/A, VXA1, VXA1/A, VXA4, VXA4/A, VXA5, VXA5/A VXA6, VXA6/A, VXD4, VXD4/A, VXE1, VXE1/A, VXE2, VXE2/A, VXE4 VXE4/A, VXE8, VXE8/A, VXF, VXF/A, VXF4, VXF4/A, VXP2, VXP2/A, VXZ4 VXZ4/A, VYA1, VYA3, VYA3/A, VZA1	
			-	-	-	-	(1)		





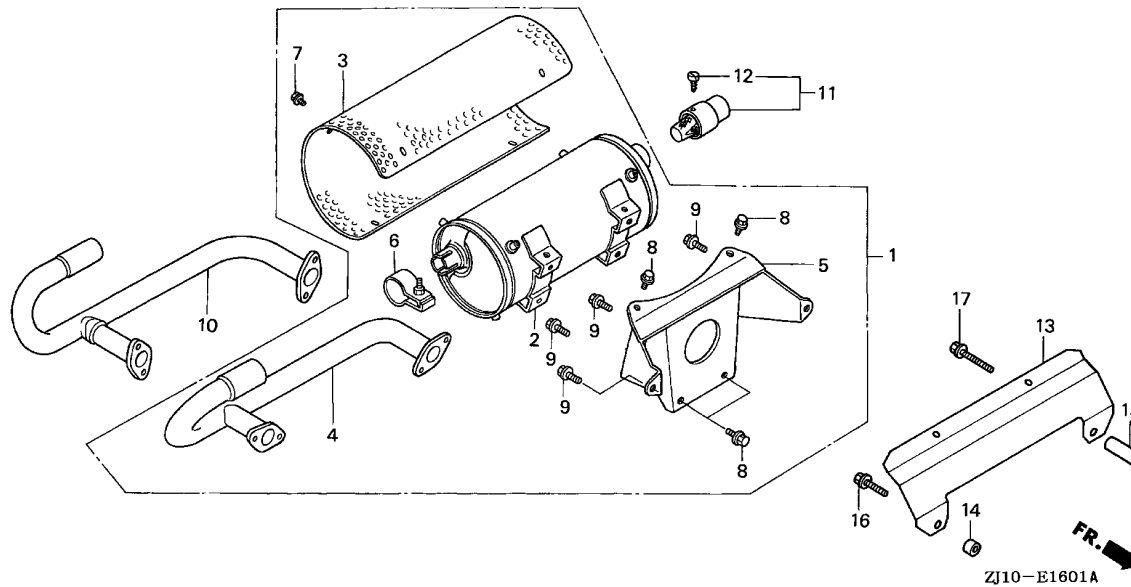
ZJ10-E1601A

Ref. No.	Part No.	Description	Reqd. QTY					Serial No.	Parts catalogue code
			GX 620	GX 620	GX 620 K1	GX 620 (3)	GX 620 K1 (2)		
7	95701-06008-00	BOLT, FLANGE, 6X8 .....	(6)	-	-	-	(6)		QAF5,QAF5/A,QAF6,QAF6/A,QAF9,QAF9/A,QXF3,QXF8,QXF8/A,QZF2,QZF2/A,SAE1,SAE1/A,SAF1,SAF1/A,VYE3,VYE3/A,QAB,QAB/A,QAB6,QAB6/A,QAD2,QAD2/A,QAF,QAF/A,QAF1,QAF1/A,QAF2,QAF2/A,QAF7,QAF7/A,QAF8,QAF8/A,QAX1,QAX1/A,QDF,QDF/A,QDF6,QDF6/A,QDP2,QDP2/A,QDW,QDW/A,QWA6,QWA6/A,QWF6,QWF6/A,QXA,QXA/A,QXA3,QXA3/A,QXA6,QXA6/A,QXB1,QXB1/A,QXC2,QXC2/A,QXE1,QXE1/A,QXE4,QXE4/A,QXE5,QXE5/A,QXE7,QXE7/A,QXE8,QXE8/A,QXF,QXF/A,QXF4,QXF4/A,QXF6,QXF6/A,QXW2,QXW2/A,QXW4,QXW4/A,QYA,QYA/A,QYF,QYF/A,QZB,QZB/A,QZB2,QZB2/A,QZB3,QZB3/A,QZD,QZD/A,QZE3,QZE3/A,QZE4,QZE4/A,QZF1,QZF1/A,QZX1,QZX1/A,QZX4,QZX4/A,QZX5,QZX5/A,TFX2,TFX2/A,VABP,VAB2,VAB2/A,VAB3,VAB3/A,VAF,VAF/A,VAF6,VAF6/A,VDB2,VDB2/A,VDC2,VDC2/A,VEP4,VEP4/A,VXA1,VXA1/A,VXA4,VXA4/A,VXA5,VXA5/A,VXA6,VXA6/A,VXD4,VXD4/A,VXE1,VXE1/A,VXE2,VXE2/A,VXE4,VXE4/A,VXE8,VXE8/A,VXF,VXF/A,VXF4,VXF4/A,VXP2,VXP2/A,VXZ4,VXZ4/A,VYA1,VYA3,VYA3/A,VZA1

Ref. No.	Part No.	Description	Reqd. QTY					Serial No.	Parts catalogue code
			GX 620	GX 620	GX 620 K1	GX 620	GX 620 K1		
			(1)	(2)	(1)	(3)	(2)		
8	95701-08014-00	BOLT, FLANGE, 8X14 .....	(4)	-	-	-	(4)	-----	QAF5,QAF5/A,QAF6,QAF6/A,QAF9,QAF9/A,QXF3,QXF8,QXF8/A,QZF2 QZF2/A,SAE1,SAE1/A,SAF1,SAF1/A,VYE3,VYE3/A ----- QAB,QAB/A,QAB6,QAB6/A,QAD2,QAD2/A,QAF,QAF/A,QAF1,QAF1/A QAF2,QAF2/A,QAF7,QAF7/A,QAF8,QAF8/A,QAX1,QAX1/A,QDF,QDF/A QDF6,QDF6/A,QDP2,QDP2/A,QDW,QDW/A,QWA6,QWA6/A,QWF6,QWF6/A QXA,QXA/A,QXA3,QXA3/A,QXA6,QXA6/A,QXB1,QXB1/A,QXC2,QXC2/A QXE1,QXE1/A,QXE4,QXE4/A,QXE5,QXE5/A,QXE7,QXE7/A,QXE8 QXE8/A,QXF,QXF/A,QXF4,QXF4/A,QXF6,QXF6/A,QXW2,QXW2/A,QXW4 QXW4/A,QYA,QYA/A,QYF,QYF/A,QZB,QZB/A,QZB2,QZB2/A,QZB3 QZB3/A,QZD,QZD/A,QZE3,QZE3/A,QZE4,QZE4/A,QZF1,QZF1/A,QZX1 QZX1/A,QZX4,QZX4/A,QZX5,QZX5/A,TFX2,TFX2/A,VABP,VAB2 VAB2/A,VAB3,VAB3/A,VAF,VAF/A,VAF6,VAF6/A,VDB2,VDB2/A,VDC2 VDC2/A,VEP4,VEP4/A,VXA1,VXA1/A,VXA4,VXA4/A,VXA5,VXA5/A VXA6,VXA6/A,VXD4,VXD4/A,VXE1,VXE1/A,VXE2,VXE2/A,VXE4 VXE4/A,VXE8,VXE8/A,VXF,VXF/A,VXF4,VXF4/A,VXP2,VXP2/A,VXZ4 VXZ4/A,VYA1,VYA3,VYA3/A,VZA1
9	95701-08020-00	BOLT, FLANGE, 8X20 .....	(4)	-	-	-	(4)	-----	QAF5,QAF5/A,QAF6,QAF6/A,QAF9,QAF9/A,QXF3,QXF8,QXF8/A,QZF2 QZF2/A,SAE1,SAE1/A,SAF1,SAF1/A,VYE3,VYE3/A ----- QAB,QAB/A,QAB6,QAB6/A,QAD2,QAD2/A,QAF,QAF/A,QAF1,QAF1/A QAF2,QAF2/A,QAF7,QAF7/A,QAF8,QAF8/A,QAX1,QAX1/A,QDF,QDF/A QDF6,QDF6/A,QDP2,QDP2/A,QDW,QDW/A,QWA6,QWA6/A,QWF6,QWF6/A QXA,QXA/A,QXA3,QXA3/A,QXA6,QXA6/A,QXB1,QXB1/A,QXC2,QXC2/A QXE1,QXE1/A,QXE4,QXE4/A,QXE5,QXE5/A,QXE7,QXE7/A,QXE8 QXE8/A,QXF,QXF/A,QXF4,QXF4/A,QXF6,QXF6/A,QXW2,QXW2/A,QXW4 QXW4/A,QYA,QYA/A,QYF,QYF/A,QZB,QZB/A,QZB2,QZB2/A,QZB3 QZB3/A,QZD,QZD/A,QZE3,QZE3/A,QZE4,QZE4/A,QZF1,QZF1/A,QZX1 QZX1/A,QZX4,QZX4/A,QZX5,QZX5/A,TFX2,TFX2/A,VABP,VAB2 VAB2/A,VAB3,VAB3/A,VAF,VAF/A,VAF6,VAF6/A,VDB2,VDB2/A,VDC2 VDC2/A,VEP4,VEP4/A,VXA1,VXA1/A,VXA4,VXA4/A,VXA5,VXA5/A VXA6,VXA6/A,VXD4,VXD4/A,VXE1,VXE1/A,VXE2,VXE2/A,VXE4 VXE4/A,VXE8,VXE8/A,VXF,VXF/A,VXF4,VXF4/A,VXP2,VXP2/A,VXZ4 VXZ4/A,VYA1,VYA3,VYA3/A,VZA1
10	18330-ZJ1-851	PIPE COMP., EX. (HIGH-L) ....	-	-	1	-	-	-----	QAF5,QAF5/A,QAF6,QAF6/A,QAF9,QAF9/A,QXF3,QXF8,QXF8/A,QZF2 QZF2/A,SAE1,SAE1/A,SAF1,SAF1/A,VYE3,VYE3/A ----- QAB,QAB/A,QAB6,QAB6/A,QAD2,QAD2/A,QAF,QAF/A,QAF1,QAF1/A QAF2,QAF2/A,QAF7,QAF7/A,QAF8,QAF8/A,QAX1,QAX1/A,QDF,QDF/A QDF6,QDF6/A,QDP2,QDP2/A,QDW,QDW/A,QWA6,QWA6/A,QWF6,QWF6/A QXA,QXA/A,QXA3,QXA3/A,QXA6,QXA6/A,QXB1,QXB1/A,QXC2,QXC2/A QXE1,QXE1/A,QXE4,QXE4/A,QXE5,QXE5/A,QXE7,QXE7/A,QXE8 QXE8/A,QXF,QXF/A,QXF4,QXF4/A,QXF6,QXF6/A,QXW2,QXW2/A,QXW4 QXW4/A,QYA,QYA/A,QYF,QYF/A,QZB,QZB/A,QZB2,QZB2/A,QZB3 QZB3/A,QZD,QZD/A,QZE3,QZE3/A,QZE4,QZE4/A,QZF1,QZF1/A,QZX1 QZX1/A,QZX4,QZX4/A,QZX5,QZX5/A,TFX2,TFX2/A,VAB2,VAB2/A VAB3,VAB3/A,VAF,VAF/A,VAF6,VAF6/A,VDB2,VDB2/A,VDC2,VDC2/A VEP4,VEP4/A,VXA1,VXA1/A,VXA4,VXA4/A,VXA5,VXA5/A,VXA6 VXA6/A,VXD4,VXD4/A,VXE1,VXE1/A,VXE2,VXE2/A,VXE4,VXE4/A VXE8,VXE8/A,VXF,VXF/A,VXF4,VXF4/A,VXP2,VXP2/A,VXZ4,VXZ4/A VYA1,VYA3,VYA3/A,VZA1
			-	-	-	-	(1)		







Ref. No.	Part No.	Description	Reqd. QTY					Serial No.	Parts catalogue code
			GX 620	GX 620	GX 620 K1	GX 620 (3)	GX 620 K1 (2)		
11	18355-ZJ1-003	ARRESTER, SPARK .....	(1)	-	(1)	-	-	VXE2, VXE8	
			(1)	-	-	-	-	VZE7, VZE8	
			-	-	1	-	-	VYE3, VYE3/A	
			-	-	(1)	(1)	-	QAB, QAB/A, QAB6, QAB6/A, QAD2, QAD2/A, QAF, QAF/A, QAFP, QAFU, QAF1	
								QAF1/A, QAF2, QAF2/A, QAF5, QAF5/A, QAF6, QAF6/A, QAF7, QAF7/A	
								QAF8, QAF8/A, QAF9, QAF9/A, QAX1, QAX1/A, QDF, QDF/A, QDF6, QDF6/A	
								QDP2, QDP2/A, QDW, QDW/A, QWA6, QWA6/A, QWF6, QWF6/A, QXA, QXA/A	
								QXAP, QXAU, QXA3, QXA3/A, QXA6, QXA6/A, QXB1, QXB1/A, QXC2, QXC2/A	
								QXE1, QXE1/A, QXE4, QXE4/A, QXE5, QXE5/A, QXE7, QXE7/A, QXE8	
								QXE8/A, QXF, QXF/A, QXF3, QXF4, QXF4/A, QXF6, QXF6/A, QXF8, QXF8/A	
								QXW2, QXW2/A, QXW4, QXW4/A, QYA, QYA/A, QYF, QYF/A, QZB, QZB/A, QZB2	
								QZB2/A, QZB3, QZB3/A, QZD, QZD/A, QZE3, QZE3/A, QZE4, QZE4/A, QZF1	
								QZF1/A, QZF2, QZF2/A, QZX1, QZX1/A, QZX4, QZX4/A, QZX5, QZX5/A	
								SAE1, SAE1/A, SAF1, SAF1/A, TXF2, TXF2/A, VAB2, VAB2/A, VAB3	
								VAB3/A, VAF, VAF/A, VAFP, VAFU, VAF6, VAF6/A, VDB2, VDB2/A, VDC2	
								VDC2/A, VEP4, VEP4/A, VXAP, VXAU, VXA1, VXA1/A, VXA4, VXA4/A, VXA5	
								VXA5/A, VXA6, VXA6/A, VXD4, VXD4/A, VXE1, VXE1/A, VXE2/A, VXE4	
								VXE4/A, VXE8/A, VXF, VXF/A, VXF4, VXF4/A, VXP2, VXP2/A, VXZ4	
								VXZ4/A, VYA1, VYA3, VYA3/A, VZA1	
			-	-	-	-	(1)		

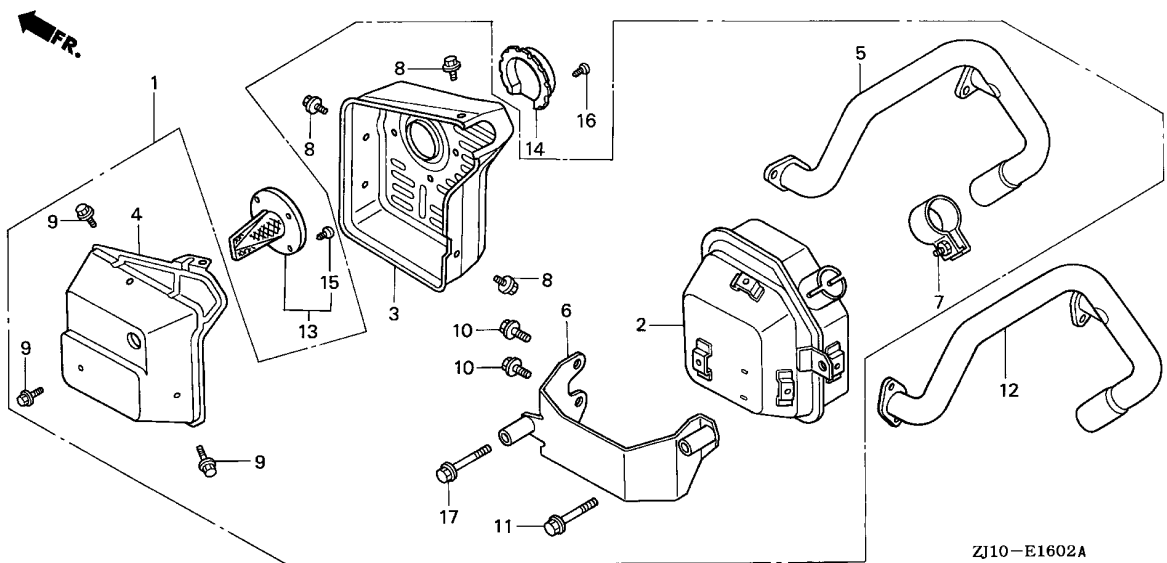
Ref. No.	Part No.	Description	Reqd. QTY					Serial No.	Parts catalogue code
			GX 620	GX 620	GX 620 K1	GX 620	GX 620 K1		
			(1)	(2)	(1)	(3)	(2)		
12	90009-ZJ1-801	SCREW, (NELSON) .....	(1)	-	(1)	-	-	VXE2,VXE8 VZE7,VZE8 VYE3,VYE3/A QAB,QAB/A,QAB6,QAB6/A,QAD2,QAD2/A,QAF,QAF/A,QAFP,QAFU,QAF1 QAF1/A,QAF2,QAF2/A,QAF5,QAF5/A,QAF6,QAF6/A,QAF7,QAF7/A QAF8,QAF8/A,QAF9,QAF9/A,QAX1,QAX1/A,QDF,QDF/A,QDF6,QDF6/A QDP2,QDP2/A,QDW,QDW/A,QWA6,QWA6/A,QWF6,QWF6/A,QXA,QXA/A QXAP,QXAU,QXA3,QXA3/A,QXA6,QXA6/A,QXB1,QXB1/A,QXC2,QXC2/A QXE1,QXE1/A,QXE4,QXE4/A,QXE5,QXE5/A,QXE7,QXE7/A,QXE8 QXE8/A,QXF,QXF/A,QXF3,QXF4,QXF4/A,QXF6,QXF6/A,QXF8,QXF8/A QXW2,QXW2/A,QXW4,QXW4/A,QYA,QYA/A,QYF,QYF/A,QZB,QZB/A,QZB2 QZB2/A,QZB3,QZB3/A,QZD,QZD/A,QZE3,QZE3/A,QZE4,QZE4/A,QZF1 QZF1/A,QZF2,QZF2/A,QZX1,QZX1/A,QZX4,QZX4/A,QZX5,QZX5/A SAE1,SAE1/A,SAF1,SAF1/A,TFX2,TFX2/A,VAB2,VAB2/A,VAB3 VAB3/A,VAF,VAF/A,VAFP,VAFU,VAF6,VAF6/A,VDB2,VDB2/A,VDC2 VDC2/A,VEP4,VEP4/A,VXAP,VXAU,VXA1,VXA1/A,VXA4,VXA4/A,VXA5 VXA5/A,VXA6,VXA6/A,VXD4,VXD4/A,VXE1,VXE1/A,VXE2/A,VXE4 VXE4/A,VXE8/A,VXF,VXF/A,VXF4,VXF4/A,VXP2,VXP2/A,VXZ4 VXZ4/A,VYA1,VYA3,VYA3/A,VZA1	
			-	-	-	-	(1)		
13	18343-ZJ1-840	GUARD, HEAT .....	-	-	1	-	-	QXF8,QXF8/A	
			-	-	(1)	-	-	QXE7,QXE7/A,QXE8,QXE8/A,QXW2,QXW2/A,QXW4,QXW4/A	
14	90501-GK8-870	COLLAR, MUFFLER MOUNTING .....	-	-	1	-	-	QXF8,QXF8/A	
			-	-	(1)	-	-	QXE7,QXE7/A,QXE8,QXE8/A,QXW2,QXW2/A,QXW4,QXW4/A	
15	90503-MAH-000	COLLAR, ENGINE MOUNTING .....	-	-	1	-	-	QXF8,QXF8/A	
			-	-	(1)	-	-	QXE7,QXE7/A,QXE8,QXE8/A,QXW2,QXW2/A,QXW4,QXW4/A	
16	95701-08028-00	BOLT, FLANGE, 8X28 .....	-	-	1	-	-	QXF8,QXF8/A	
			-	-	(1)	-	-	QXE7,QXE7/A,QXE8,QXE8/A,QXW2,QXW2/A,QXW4,QXW4/A	
17	95701-08045-00	BOLT, FLANGE, 8X45 .....	-	-	1	-	-	QXF8,QXF8/A	
			-	-	(1)	-	-	QXE7,QXE7/A,QXE8,QXE8/A,QXW2,QXW2/A,QXW4,QXW4/A	



E-16-2

MUFFLER(3)

L 2



Ref. No.	L.O.N.	(Relative ref. Number) Description	F.R.T.
1	3131H8	MUFFLER KIT(A) .....	0.2
2	3131C5	MUFFLER, EXHAUST .....	0.3
3	3131D6	PROTECTOR, EXHAUST MUFFLER ...	0.1
4	3131D3	PROTECTOR, EXHAUST MUFFLER :REAR .....	0.3
5		(12)	
	3131G1	PIPE, EXHAUST(A) .....	0.3
6	3131G3	STAY, MUFFLER(A) .....	0.3
13	3131F9	ARRESTER, SPARK(A) .....	0.2

2

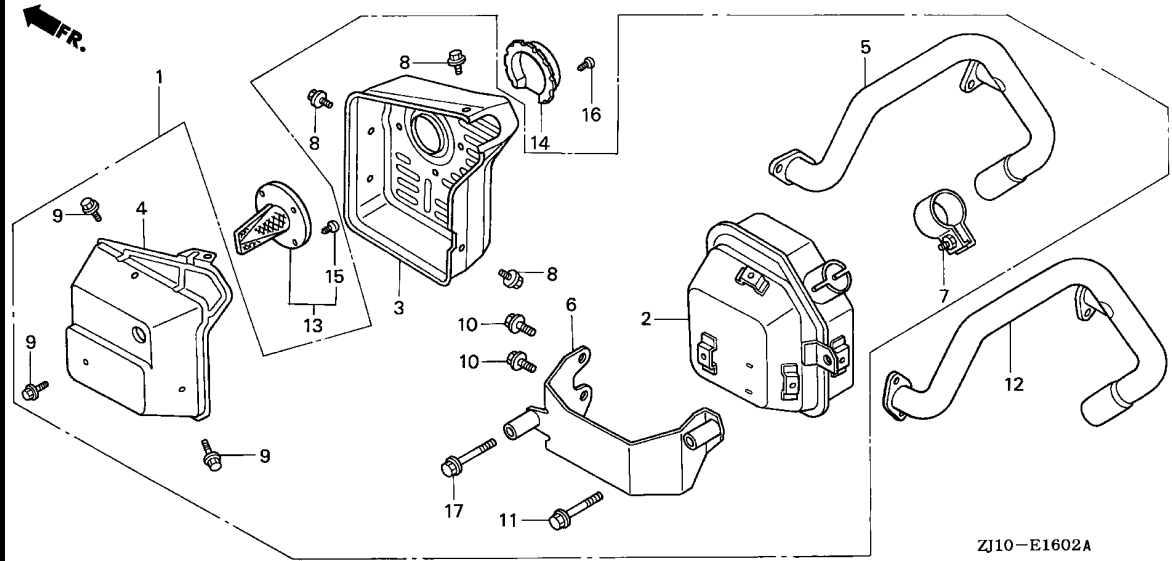
Ref. No.	Part No.	Description	Reqd. QTY					Serial No.	Parts catalogue code
			GX 620	GX 620	GX 620	GX 620	GX 620		
1	06183-ZJ1-830	MUFFLER KIT (SIDE-L) .....	(1)	-	-	-	-		
2	18310-ZJ1-801	MUFFLER COMP. (SIDE-L) .....	(1)	-	-	(1)	-	VABP	
			-	-	1	-	-	QZB, QZB/A, VYA1, VYA3, VYA3/A, VZA1	
			-	-	(1)	(1)	-	QAB, QAB/A, QAB6, QAB6/A, QWA6, QWA6/A, QXA, QXA/A, QXA3, QXA3/A, QXA6, QXA6/A, QXB1, QXB1/A, QYA, QYA/A, VABP, VAB3, VAB3/A, VXA1, VXA1/A	
3	18321-ZJ1-801	PROTECTOR, MUFFLER (SIDE-L) .....	(1)	-	-	-	-	VABP	
	18321-ZJ1-841	.....	-	-	1	-	-	QZB, QZB/A, VYA1, VYA3, VYA3/A, VZA1	
			-	-	(1)	-	-	QAB, QAB/A, QAB6, QAB6/A, QWA6, QWA6/A, QXA, QXA/A, QXA3, QXA3/A, QXA6, QXA6/A, QXB1, QXB1/A, QYA, QYA/A, VAB3, VAB3/A, VXA1, VXA1/A	
4	18325-ZJ1-801	PROTECTOR, RR. MUFFLER (SIDE-L) .....	(1)	-	-	-	-	VABP	
			-	-	1	-	-	QZB, QZB/A, VYA1, VYA3, VYA3/A, VZA1	
			-	-	(1)	(1)	-	QAB, QAB/A, QAB6, QAB6/A, QWA6, QWA6/A, QXA, QXA/A, QXA3, QXA3/A, QXA6, QXA6/A, QXB1, QXB1/A, QYA, QYA/A, VABP, VAB3, VAB3/A, VXA1, VXA1/A	
5	18330-ZJ1-801	PIPE COMP., EX. (SIDE-L) .....	(1)	-	-	-	-	VABP	
			-	-	-	(1)	-	VABP	
6	18338-ZJ1-801	STAY, MUFFLER (SIDE-L) .....	(1)	-	-	-	-	VABP	
	18338-ZJ1-851	.....	-	-	1	-	-	QZB, QZB/A, VYA1, VYA3, VYA3/A, VZA1	
			-	-	(1)	-	-	QAB, QAB/A, QAB6, QAB6/A, QWA6, QWA6/A, QXA, QXA/A, QXA3, QXA3/A, QXA6, QXA6/A, QXB1, QXB1/A, QYA, QYA/A, VAB3, VAB3/A, VXA1, VXA1/A	

Ref. No.	Part No.	Description	Reqd. QTY					Serial No.	Parts catalogue code
			GX 620 (1)	GX 620 (2)	GX 620 K1 (1)	GX 620 (3)	GX 620 K1 (2)		
7	18396-ZJ1-003	BAND ASSY. ....	(1)	-	-	-	-	QZB,QZB/A,VYA1,VYA3,VYA3/A,VZA1 QAB,QAB/A,QAB6,QAB6/A,QWA6,QWA6/A,QXA,QXA/A,QXA3,QXA3/A QXA6,QXA6/A,QXB1,QXB1/A,QYA,QYA/A,VABP,VAB3,VAB3/A,VXA1 VXA1/A	
8	93500-06008-0A	SCREW, PAN, 6X8 .....	(4)	-	-	-	-	VABP	
	95701-06008-00	BOLT, FLANGE, 6X8 .....	-	-	4	-	-	QZB,QZB/A,VYA1,VYA3,VYA3/A,VZA1 QAB,QAB/A,QAB6,QAB6/A,QWA6,QWA6/A,QXA,QXA/A,QXA3,QXA3/A QXA6,QXA6/A,QXB1,QXB1/A,QYA,QYA/A,VAB3,VAB3/A,VXA1,VXA1/A	
9	95701-06008-00	BOLT, FLANGE, 6X8 .....	(3)	-	-	-	-	QZB,QZB/A,VYA1,VYA3,VYA3/A,VZA1 QAB,QAB/A,QAB6,QAB6/A,QWA6,QWA6/A,QXA,QXA/A,QXA3,QXA3/A QXA6,QXA6/A,QXB1,QXB1/A,QYA,QYA/A,VABP,VAB3,VAB3/A,VXA1 VXA1/A	
10	95701-08014-00	BOLT, FLANGE, 8X14 .....	(2)	-	-	-	-	QZB,QZB/A,VYA1,VYA3,VYA3/A,VZA1 QAB,QAB/A,QAB6,QAB6/A,QWA6,QWA6/A,QXA,QXA/A,QXA3,QXA3/A QXA6,QXA6/A,QXB1,QXB1/A,QYA,QYA/A,VABP,VAB3,VAB3/A,VXA1 VXA1/A	
11	95701-08055-00	BOLT, FLANGE, 8X55 .....	(1)	-	-	-	-	VABP	
	95701-06050-00	BOLT, FLANGE, 6X50 .....	-	-	1	-	-	QZB,QZB/A,VYA1,VYA3,VYA3/A,VZA1 QAB,QAB/A,QAB6,QAB6/A,QWA6,QWA6/A,QXA,QXA/A,QXA3,QXA3/A QXA6,QXA6/A,QXB1,QXB1/A,QYA,QYA/A,VAB3,VAB3/A,VXA1,VXA1/A	
12	18330-ZJ1-861	PIPE COMP., EX. (SIDE-L) ....	-	-	1	-	-	QZB,QZB/A,VYA1,VYA3,VYA3/A,VZA1 QAB,QAB/A,QAB6,QAB6/A,QWA6,QWA6/A,QXA,QXA/A,QXA3,QXA3/A QXA6,QXA6/A,QXB1,QXB1/A,QYA,QYA/A,VAB3,VAB3/A,VXA1,VXA1/A	
13	18355-ZJ1-801	ARRESTER, SPARK .....	(1)	-	(1)	(1)	-	QZB,QZB/A,VYA1,VYA3,VYA3/A,VZA1 QAB,QAB/A,QAB6,QAB6/A,QWA6,QWA6/A,QXA,QXA/A,QXA3,QXA3/A QXA6,QXA6/A,QXB1,QXB1/A,QYA,QYA/A,VAB3,VAB3/A,VXA1,VXA1/A QZB2,QZB2/A,QZB3,QZB3/A,VAB3,VAB3/A,VAFP,VAFU,VXAP,VXAU VXA1/A,VYA1,VYA3,VYA3/A	
			(1)	-	-	-	-	QAF,QAF5,QAF6,QDF,QXF3,QYF,SAE1,SAF1,VAF,VXE2,VXE8,VZE8 QAB6,QXA3,QXA6,QXB1,VXA1,VZA1	
14	18431-ZJ1-801	DEFLECTOR, MUFFLER .....	(1)	-	(1)	(1)	-	QAB,QAB/A,QAB6/A,QAFP,QAFU,QAP2,QWA6,QWA6/A,QXA,QXA/A,QXAP QXAU,QXA3/A,QXA6/A,QXB1,QXB1/A,QXE3,QXF1,QYA,QYA/A,QZB QZB/A,QZB2,QZB2/A,QZB3,QZB3/A,VAB3,VAB3/A,VAFP,VAFU,VXAP VXAU,VXA1/A,VYA1,VYA3,VYA3/A,VZE1,VZE5	
			(1)	-	-	-	-	QAF,QAF2,QAF5,QAF6,QDF,QXF3,QYF,SAE1,SAF1,VAF,VXE2,VXE8 VZE8	
15	90009-ZJ1-801	SCREW, (NELSON) .....	(4)	-	(4)	(4)	-	QAB6,QXA3,QXA6,VXA1,VZA1 QAB,QAB/A,QAB6/A,QAFP,QAFU,QAP2,QWA6,QWA6/A,QXA,QXA/A,QXAP QXAU,QXA3/A,QXA6/A,QXB1,QXB1/A,QXE3,QXF1,QYA,QYA/A,QZB QZB/A,QZB2,QZB2/A,QZB3,QZB3/A,VAB3,VAB3/A,VAFP,VAFU,VXAP VXAU,VXA1/A,VYA1,VYA3,VYA3/A,VZE1,VZE5	
			(4)	-	-	-	-	QAF,QAF2,QAF5,QAF6,QDF,QXF3,QYF,SAE1,SAF1,VAF,VXE2,VXE8 VZE8	
			-	-	(4)	-	-	QAB6,QXA3,QXA6,QXB1,VXA1,VZA1	
16	93903-34110	SCREW, TAPPING, 4X8 .....	(4)	-	(4)	(4)	-	QAB,QAB/A,QAB6/A,QAFP,QAFU,QWA6,QWA6/A,QXA,QXA/A,QXAP,QXAU QXA3/A,QXA6/A,QXB1/A,QXE3,QXF1,QYA,QYA/A,QZB,QZB/A,QZB2 QZB2/A,QZB3,QZB3/A,VAB3,VAB3/A,VAFP,VAFU,VXAP,VXAU,VXA1/A VYA1,VYA3,VYA3/A	
			(4)	-	-	-	-	QAF,QAF5,QAF6,QDF,QXF3,QYF,SAE1,SAF1,VAF,VXE8,VZE8	
			-	-	(4)	-	-	QAB6,QXA3,QXA6,QXB1,VXA1,VZA1	

E-16-2

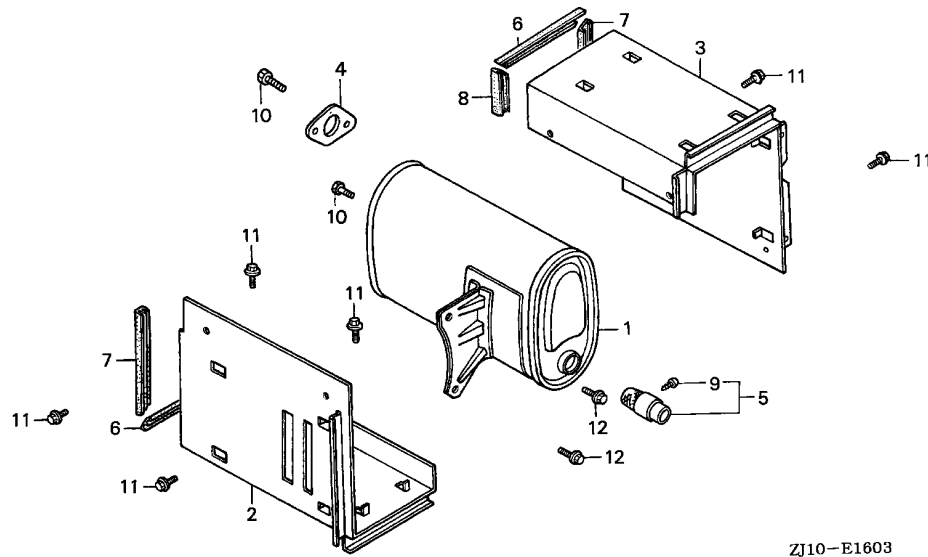
MUFFLER(3)

L 4



ZJ10-E1602A

Ref. No.	Part No.	Description	Reqd. QTY					Serial No.	Parts catalogue code
			GX 620	GX 620	GX 620 K1	GX 620 (3)	GX 620 K1 (2)		
17	95701-08055-00	BOLT, FLANGE, 8X55	(1)	-	-	-	-		
	95701-08050-00	BOLT, FLANGE, 8X50	(1)	-	-	(1)	-	VABP	
			-	-	1	-	-	VXE8, VZE8	
			-	-	(1)	-	-	QZB, QZB/A, VYA1, VYA3, VYA3/A, VZA1	
			-	-	-	-	-	QAB, QAB/A, QAB6, QAB6/A, QWA6, QWA6/A, QXA, QXA/A, QXA3, QXA3/A	
			-	-	-	-	-	QXA6, QXA6/A, QXB1, QXB1/A, QYA, QYA/A, VAB3, VAB3/A, VXA1, VXA1/A	

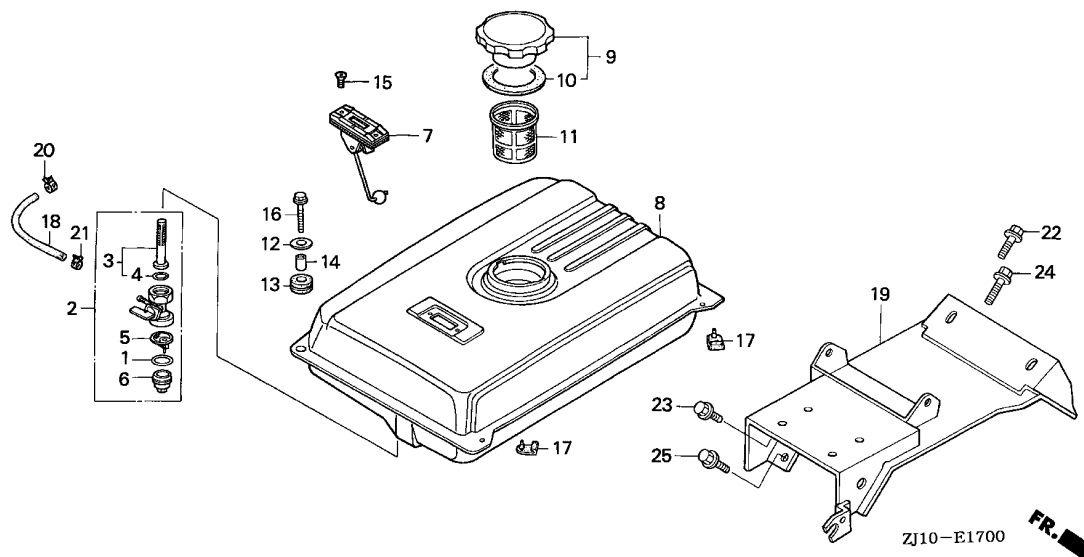


Ref. No.	L.O.N.	(Relative ref. Number)	Description	F.R.T.
----------	--------	------------------------	-------------	--------

NO INFORMATION .....

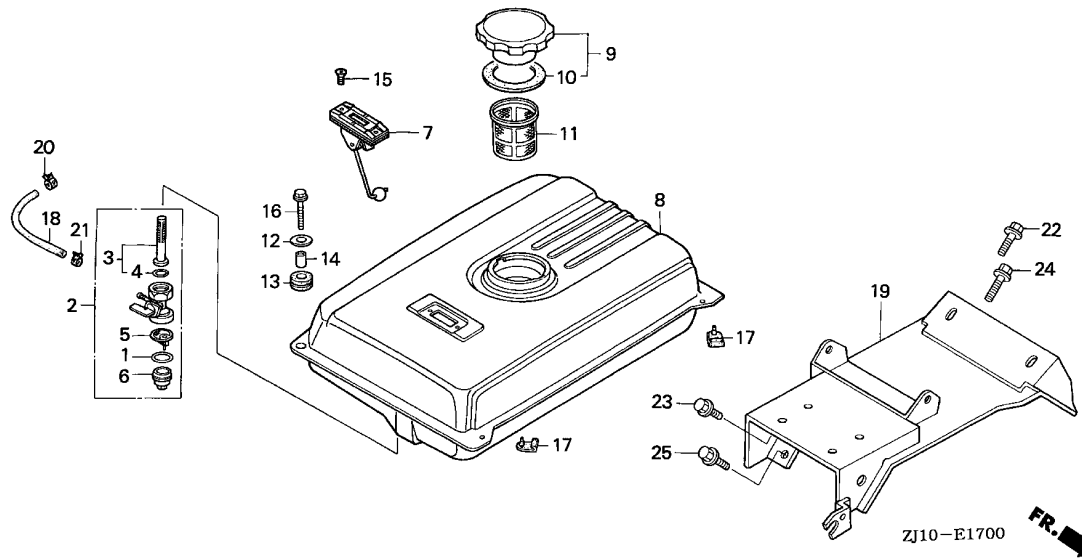
Ref. No.	Part No.	Description	Reqd. QTY					Serial No.	Parts catalogue code
			GX 620 (1)	GX 620 (2)	GX 620 K1 (1)	GX 620 (3)	GX 620 K1 (2)		
1	18310-ZB8-631	MUFFLER COMP. ....	1	-	-	-	-	VZD	
2	18321-ZB7-000	DUCT, LOWER MUFFLER .....	1	-	-	-	-	VZD	
3	18325-ZB7-000	DUCT, UPPER MUFFLER .....	1	-	-	-	-	VZD	
4	18333-ZB7-800	GASKET, EX. PIPE .....	1	-	-	-	-	VZD	
5	18355-ZJ1-003	ARRESTER, SPARK .....	(1)	-	-	-	-	VZD	
6	18412-ZB7-000	SEAL, MUFFLER DUCT (A) .....	2	-	-	-	-	VZD	
7	18413-ZB7-000	SEAL, MUFFLER DUCT (B) .....	2	-	-	-	-	VZD	
8	18414-ZB7-000	SEAL, MUFFLER DUCT (C) .....	2	-	-	-	-	VZD	
9	90009-ZJ1-801	SCREW, (NELSON) .....	(1)	-	-	-	-	VZD	
10	92101-08028-0A	BOLT, HEX., 8X28 .....	2	-	-	-	-	VZD	
11	95701-06008-00	BOLT, FLANGE, 6X8 .....	8	-	-	-	-	VZD	
12	95701-08014-00	BOLT, FLANGE, 8X14 .....	2	-	-	-	-	VZD	





Ref. No.	L.O.N.	(Relative ref. Number) Description	F.R.T.
2	3101A3	COCK, FUEL	0.2
3		(4)	
5	3101D5	SCREEN, FUEL STRAINER	0.2
		(1)	
	3101A7	FILTER, CUP	0.2
7	6171A1	METER UNIT, FUEL	0.1
8	3101H7	TANK, FUEL	0.2
11	3101A6	FILTER, FUEL	0.1
18	3101F1	TUBE, FUEL TANK	0.2
19	3101E0	STAY, FUEL TANK	0.2

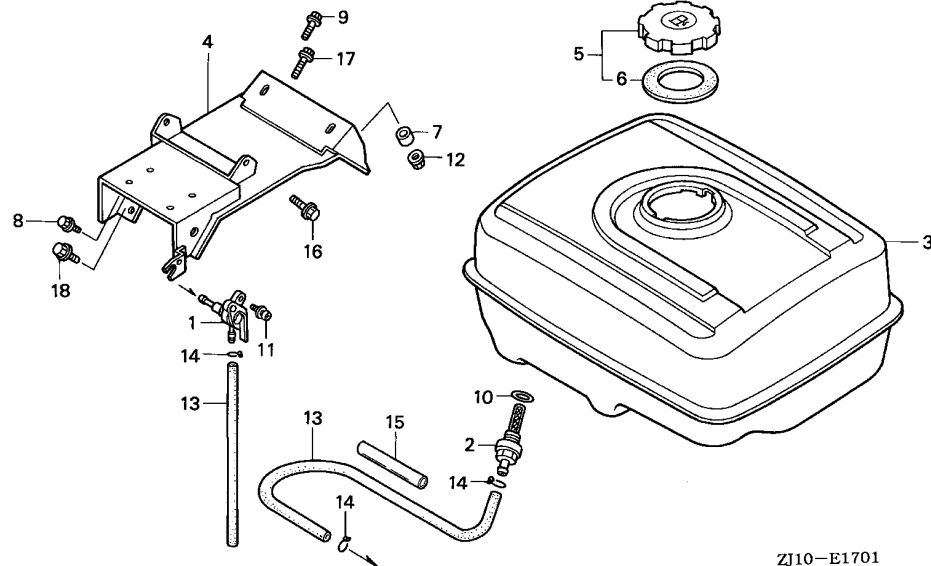
Ref. No.	Part No.	Description	Reqd. QTY					Serial No.	Parts catalogue code
			GX 620	GX 620	GX 620	GX 620	GX 620		
			(1)	(2)	(1)	(3)	(2)		
1	16173-001-004	PACKING, FUEL STRAINER CUP ..	1	-	1	-	-	SAF1,SAF1/A,VYA1,VZA1,VZD	
2	16950-ZB4-015	COCK ASSY., FUEL .....	1	-	1	-	-	SAF1,SAF1/A,VYA1,VZA1,VZD	
3	16952-ZB4-005	SCREEN, FUEL STRAINER .....	1	-	1	-	-	SAF1,SAF1/A,VYA1,VZA1,VZD	
4	16958-397-771	O-RING .....	1	-	1	-	-	SAF1,SAF1/A,VYA1,VZA1,VZD	
5	16959-471-831	FILTER, CUP .....	1	-	1	-	-	SAF1,SAF1/A,VYA1,VZA1,VZD	
6	16967-GA6-671	CUP, FUEL STRAINER .....	1	-	1	-	-	SAF1,SAF1/A,VYA1,VZA1,VZD	
7	17505-ZB2-003	METER ASSY., FUEL .....	1	-	1	-	-	SAF1,SAF1/A,VYA1,VZA1	
8	17510-ZC2-000ZC	TANK COMP., FUEL							
		*R8*.....BRIGHT RED	1	-	1	-	-	VYA1,VZA1	
	17510-ZB4-000ZG	*T73*.....EXEN GRAY	1	-	1	-	-	SAF1,SAF1/A	
	17510-ZC2-000ZB	*NH1*.....BLACK						VYA1,VZA1	
9	17620-899-013	CAP COMP., FUEL FILLER .....	1	-	1	-	-	SAF1,SAF1/A,VYA1,VZA1	
10	17631-899-000	PACKING, FUEL FILLER CAP ....	1	-	1	-	-	SAF1,SAF1/A,VYA1,VZA1	
11	17670-899-000	FILTER COMP., FUEL .....	1	-	1	-	-	SAF1,SAF1/A,VYA1,VZA1	
12	90503-898-000	WASHER, TANK CUSHION .....	2	-	2	-	-	SAF1,SAF1/A,VYA1,VZA1	
13	90851-898-000	RUBBER, TANK CUSHION .....	2	-	2	-	-	SAF1,SAF1/A,VYA1,VZA1	
14	91551-898-000	COLLAR, TANK CUSHION .....	2	-	2	-	-	SAF1,SAF1/A,VYA1,VZA1	
15	93600-05010-0A	SCREW, FLAT, 5X10 .....	2	-	2	-	-	SAF1,SAF1/A,VYA1,VZA1	
16	95701-06035-00	BOLT, FLANGE, 6X35 .....	2	-	2	-	-	SAF1,SAF1/A,VYA1,VZA1	
17	50319-ZB2-000	RUBBER, TANK MOUNTING .....	2	-	2	-	-	SAF1,SAF1/A,VYA1,VZA1	
18	17701-ZJ1-S00	TUBE, FUEL (EXEN) .....	1	-	1	-	-	SAF1,SAF1/A	
19	17560-ZJ0-U70	STAY COMP., FUEL TANK .....	1	-	-	-	1008424	QXF1	
20	95002-40850-08	CLAMP, TUBE (D8.5) .....	1	-	1	-	-	SAF1,SAF1/A	
21	95002-41050-08	CLAMP, TUBE (D10.5) .....	1	-	1	-	-	SAF1,SAF1/A	



Ref. No.	Part No.	Description	Reqd. QTY					Serial No.	Parts catalogue code
			GX 620 (1)	GX 620 (2)	GX 620 K1 (1)	GX 620 (3)	GX 620 K1 (2)		
22	95701-06020-00	BOLT, FLANGE, 6X20	1	-	-	-	-	1008424 ----- QXF1	
23	95701-06025-00	BOLT, FLANGE, 6X25	1	-	-	-	-	1008424 ----- QXF1	
24	95701-08025-00	BOLT, FLANGE, 8X25	1	-	-	-	-	1008424 ----- QXF1	
25	95701-08030-00	BOLT, FLANGE, 8X30	2	-	-	-	-	1008424 ----- QXF1	



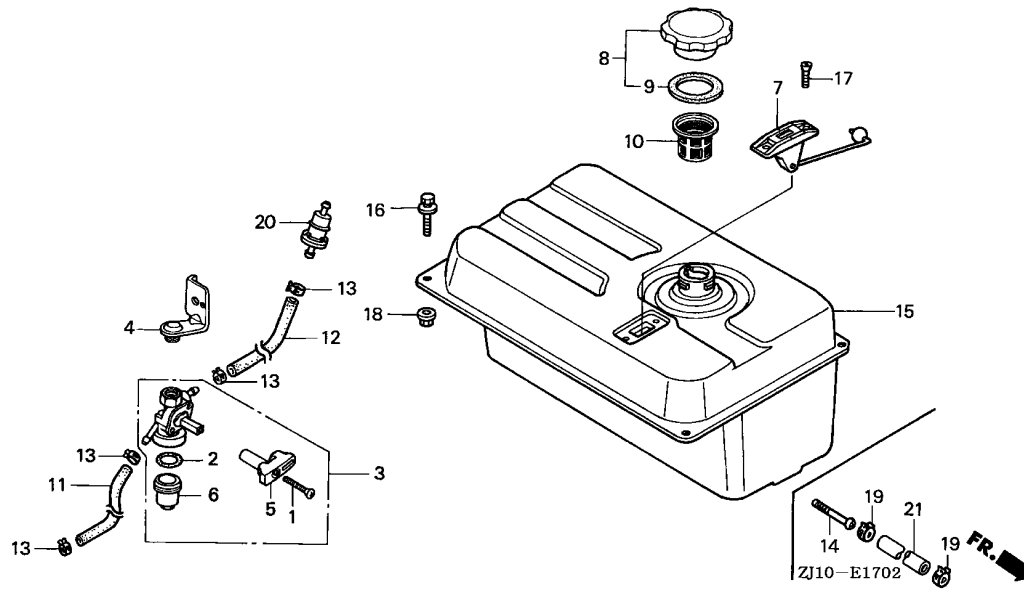




ZJ10-E1701

Ref. No.	L.O.N.	(Relative ref. Number) Description	F.R.T.
1	3101J1	COCK, FUEL(A) .....	0.1
2		(10) .....	
	3101H6	JOINT, FUEL STRAINER .....	0.2
3	3101H7	TANK, FUEL .....	0.2
4	3101E0	STAY, FUEL TANK .....	0.2
13	3101F2	TUBE, FUEL COCK .....	0.2
	3101F1	TUBE, FUEL TANK .....	0.2

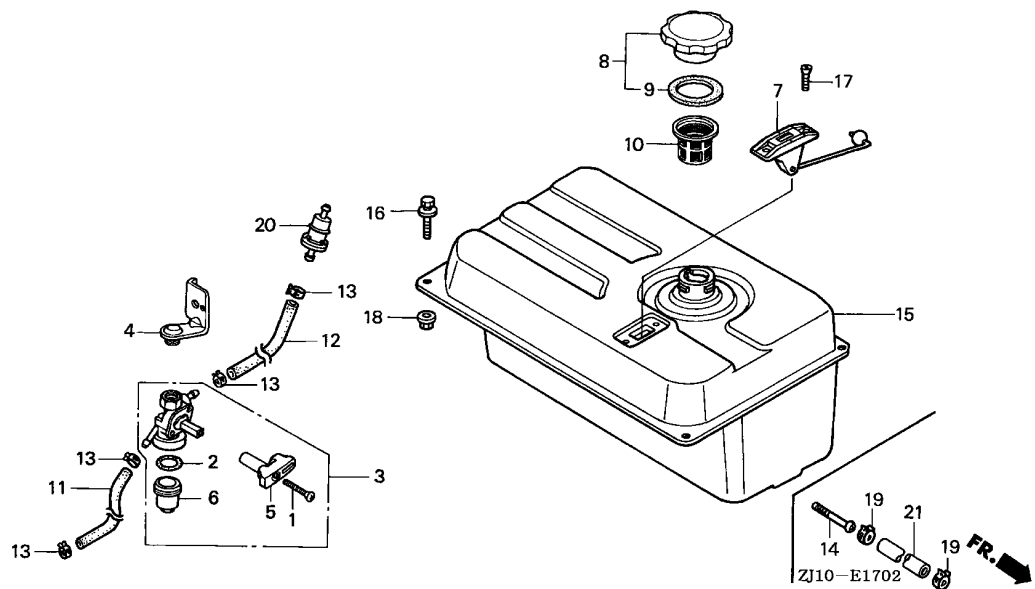
Ref. No.	Part No.	Description	Reqd. QTY					Serial No.	Parts catalogue code
			GX 620	GX 620	GX 620	GX 620	GX 620		
1	16950-YA0-802	COCK ASSY., FUEL .....	1	-	-	-	-	QAP2	
2	16955-ZE1-000	JOINT, FUEL TANK .....	1	-	-	-	-	QAP2	
3	17510-ZE3-010ZB	TANK COMP., FUEL							
		*NH1*.....BLACK	1	-	-	-	-	QAP2	
	17510-ZE3-010ZC	*R8*.....BRIGHT RED	1	-	-	-	-	QAP2	
4	17560-ZJ0-U70	STAY COMP., FUEL TANK .....	1	-	-	-	-	QAP2	
5	17620-ZH7-023	CAP COMP., FUEL FILLER (BLACK)	1	-	-	-	-	QAP2	
6	17631-ZH7-003	PACKING, FUEL FILLER CAP (39X58X3)	1	-	-	-	-	QAP2	
7	50203-MS8-000	COLLAR, FR. ENGINE HANGER (A)	2	-	-	-	-	QAP2	
8	90018-ZE1-000	BOLT, FLANGE, 6X23(CT200) ...	1	-	-	-	-	QAP2	
9	90022-888-010	BOLT, FLANGE, 6X20(CT200) ...	1	-	-	-	-	QAP2	
10	91353-671-004	O-RING, 14MM(NOK) .....	1	-	-	-	-	QAP2	
11	93891-05014-00	SCREW-WASHER, 5X14 .....	1	-	-	-	-	QAP2	
12	94050-08000	NUT, FLANGE, 8MM .....	2	-	-	-	-	QAP2	
13	95001-45260-40	TUBE, FUEL, 4.5X260							
		(95001-45001-60M)	2	-	-	-	-	QAP2	
14	95002-02080	CLIP, TUBE (B8) .....	3	-	-	-	-	QAP2	
15	95003-25018-20	TUBE, VINYL, 9X11X180							
		(95003-25001-10M)	1	-	-	-	-	QAP2	
16	95701-08016-00	BOLT, FLANGE, 8X16 .....	2	-	-	-	-	QAP2	
17	95701-08025-00	BOLT, FLANGE, 8X25 .....	2	-	-	-	-	QAP2	
18	95701-08030-00	BOLT, FLANGE, 8X30 .....	2	-	-	-	-	QAP2	



Ref. No.	L.O.N.	(Relative ref. Number) Description	F.R.T.
2	3101L6	PACKING, FUEL STRAINER CUP ...	0.1
3	3101A3	COCK, FUEL .....	0.2
5	3101E6	LEVER, FUEL COCK .....	0.1
7	6171A1	METER UNIT, FUEL .....	0.1
10	3101A6	FILTER, FUEL .....	0.1
11	3101F6	TUBE, FUEL .....	0.2
12	3101B1	HOSE, FUEL .....	0.2
15	3101H7	TANK, FUEL .....	0.2
20	(14)		
	3101H8	STRAINER, FUEL .....	0.2

Ref. No.	Part No.	Description	Reqd. QTY					Serial No.	Parts catalogue code
			GX 620 (1)	GX 620 (2)	GX 620 K1 (1)	GX 620 (3)	GX 620 K1 (2)		
1	16080-191-005	SCREW, OVAL, 4X32 .....	1	-	1	-	-	-----	VYA3,VYA3/A,VYE3,VYE3/A,VZA3,VZE7,VZE7/A,VZE8,VZE8/A
2	16173-001-004	PACKING, FUEL STRAINER CUP ..	1	-	1	-	-	-----	VYA3,VYA3/A,VYE3,VYE3/A,VZA3,VZE7,VZE7/A,VZE8,VZE8/A
3	16950-ZA0-013	COCK ASSY., FUEL .....	1	-	1	-	-	-----	VYA3,VYA3/A,VYE3,VYE3/A,VZA3,VZE7,VZE7/A,VZE8,VZE8/A
4	16956-ZA0-010	STAY COMP., FUEL COCK .....	1	-	1	-	-	-----	VYA3,VYA3/A,VYE3,VYE3/A,VZA3,VZE7,VZE7/A,VZE8,VZE8/A
5	16963-191-005	LEVER, FUEL COCK .....	1	-	1	-	-	-----	VYA3,VYA3/A,VYE3,VYE3/A,VZA3,VZE7,VZE7/A,VZE8,VZE8/A
6	16967-MA2-771	CUP, FUEL STRAINER .....	1	-	1	-	-	-----	VYA3,VYA3/A,VYE3,VYE3/A,VZA3,VZE7,VZE7/A,VZE8,VZE8/A
7	17505-ZC8-003	METER ASSY., FUEL .....	1	-	1	-	-	-----	VYA3,VYA3/A,VYE3,VYE3/A,VZA3,VZE7,VZE7/A,VZE8,VZE8/A
8	17620-899-013	CAP COMP., FUEL FILLER .....	1	-	1	-	-	-----	VYA3,VYA3/A,VYE3,VYE3/A,VZA3,VZE7,VZE7/A,VZE8,VZE8/A
9	17631-899-000	PACKING, FUEL FILLER CAP ....	1	-	1	-	-	-----	VYA3,VYA3/A,VYE3,VYE3/A,VZA3,VZE7,VZE7/A,VZE8,VZE8/A
10	17672-899-000	FILTER, FUEL .....	1	-	1	-	-	-----	VZA3,VZE7,VZE7/A,VZE8,VZE8/A
	17670-899-000	FILTER COMP., FUEL .....	1	-	1	-	-	-----	VYA3,VYA3/A,VYE3,VYE3/A
11	95001-45140-50	HOSE, FUEL, 4.5X140 (95001-45001-50M)	1	-	1	-	-	-----	VZE7,VZE7/A,VZE8,VZE8/A
12	95001-55990-50	HOSE, FUEL, 5.5X990 (95001-55001-50M)	1	-	-	-	-	-----	VZE7,VZE8
	16851-ZJ1-S60	HOSE, FUEL .....	-	-	1	-	-	2034680	VZE7,VZE8
	16851-ZJ1-S80	TUBE, FUEL .....	-	-	1	-	-	-----	VZE7/A,VZE8/A
			-	-	1	-	-	2034681	VZE7,VZE8
13	95002-40850-08	CLAMP, TUBE (D8.5) .....	4	-	4	-	-	-----	VZE7,VZE7/A,VZE8,VZE8/A
14	16952-890-690	STRAINER, FUEL .....	1	-	1	-	-	-----	VYA3,VYA3/A,VYE3,VYE3/A,VZA3
15	17510-ZJ1-R01ZA	TANK COMP., FUEL *NH1*.....BLACK	1	-	1	-	-	-----	VYA3,VYA3/A,VYE3,VYE3/A,VZA3
16	93404-06016-00	BOLT-WASHER, 6X16 .....	4	-	4	-	-	-----	VYA3,VYA3/A,VYE3,VYE3/A,VZA3
17	93600-05010-0A	SCREW, FLAT, 5X10 .....	2	-	2	-	-	-----	VYA3,VYA3/A,VYE3,VYE3/A,VZA3
18	94071-06080	NUT-WASHER, 6MM .....	4	-	4	-	-	-----	VYA3,VYA3/A,VYE3,VYE3/A,VZA3





Ref. No.	Part No.	Description	Reqd. QTY					Serial No.	Parts catalogue code
			GX 620	GX 620	GX 620 K1	GX 620 (3)	GX 620 K1 (2)		
19	95002-41050-08	CLAMP, TUBE (D10.5)	2	-	2	-	-	VYA3,VYA3/A,VYE3,VYE3/A,VZA3,VZE7/A,VZE8/A	
20	16910-ZE8-015	STRAINER COMP., FUEL	-	-	2	-	-	VZE7,VZE8	
21	95001-45100-50	HOSE, FUEL, 4.5X100 (95001-45001-50M)	-	-	1	-	-	VZE7,VZE7/A,VZE8,VZE8/A	

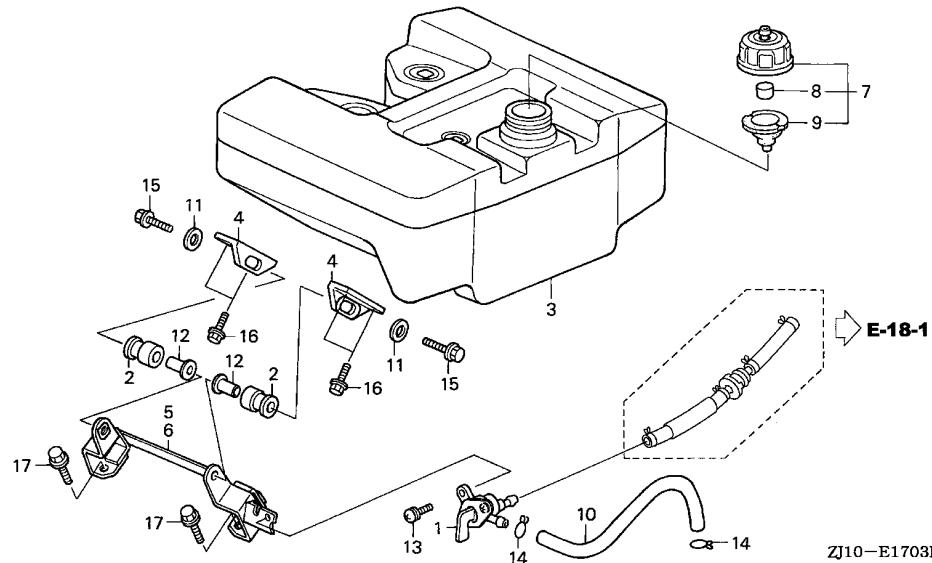


# E-17-3

# FUEL TANK(4)

L11

FR.



Ref. No.	L.O.N.	(Relative ref. Number) Description	F.R.T.
1	3101J1	COCK, FUEL(A) .....	0.1
2	3101D1	RUBBER, TANK MOUNTING .....	0.2
3	3101H7	TANK, FUEL .....	0.2
5	3101D9	STAY, FUEL TANK :RIGHT .....	0.2
6	3101D8	STAY, FUEL TANK :LEFT .....	0.2
10	3101F6	TUBE, FUEL .....	0.2

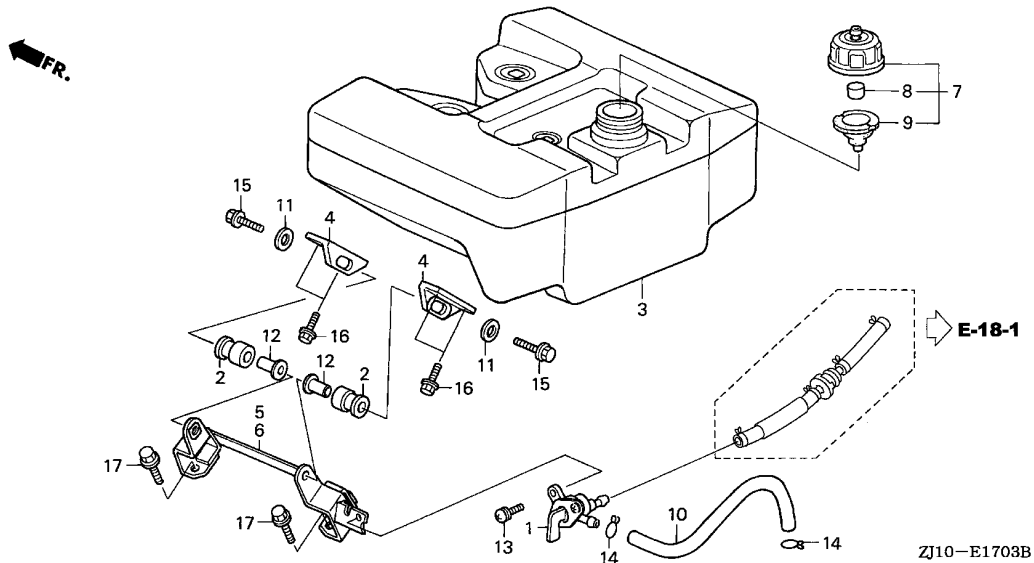
Ref. No.	Part No.	Description	Reqd. QTY					Serial No.	Parts catalogue code
			GX 620 (1)	GX 620 (2)	GX 620 K1 (1)	GX 620 (3)	GX 620 K1 (2)		
1	16950-YA0-802	COCK ASSY., FUEL .....	-	-	1	-	-	-----	QXE7,QXE7/A,QXE8,QXE8/A,QXF8,QXF8/A,QXW2,QXW2/A,QXW4,QXW4/A
2	17508-GBF-830	RUBBER, TANK MOUNTING .....	-	-	4	-	-	-----	QXE7,QXE7/A,QXE8,QXE8/A,QXF8,QXF8/A,QXW2,QXW2/A,QXW4,QXW4/A
3	17510-ZJ1-840	TANK COMP., FUEL .....	-	-	1	-	-	-----	QXE7,QXE7/A,QXE8,QXE8/A,QXF8,QXF8/A,QXW2,QXW2/A,QXW4,QXW4/A
4	17544-ZJ1-840	BRACKET, FUEL TANK .....	-	-	4	-	-	-----	QXE7,QXE7/A,QXE8,QXE8/A,QXF8,QXF8/A,QXW2,QXW2/A,QXW4,QXW4/A
5	17561-ZJ1-840	STAY, R. FUEL TANK .....	-	-	1	-	-	-----	QXE7,QXE7/A,QXE8,QXE8/A,QXF8,QXF8/A,QXW2,QXW2/A,QXW4,QXW4/A
6	17566-ZJ1-840	STAY, L. FUEL TANK .....	-	-	1	-	-	-----	QXE7,QXE7/A,QXE8,QXE8/A,QXF8,QXF8/A,QXW2,QXW2/A,QXW4,QXW4/A
7	17620-ZJ1-840	CAP ASSY., FUEL TANK .....	-	-	1	-	-	-----	QXE7,QXE7/A,QXE8,QXE8/A,QXF8,QXF8/A,QXW2,QXW2/A,QXW4,QXW4/A
8	17622-888-010	SPONGE, FUEL CAP BREATHER ...	-	-	1	-	-	-----	QXE7,QXE7/A,QXE8,QXE8/A,QXF8,QXF8/A,QXW2,QXW2/A,QXW4,QXW4/A
9	17624-ZJ1-840	PACKING, FUEL CAP .....	-	-	1	-	-	-----	QXE7,QXE7/A,QXE8,QXE8/A,QXF8,QXF8/A,QXW2,QXW2/A,QXW4,QXW4/A
10	17701-ZJ1-840	TUBE, FUEL .....	-	-	1	-	-	-----	QXE7,QXE7/A,QXE8,QXE8/A,QXF8,QXF8/A,QXW2,QXW2/A,QXW4,QXW4/A
11	90404-GE2-760	WASHER, PLAIN, 6MM .....	-	-	4	-	-	-----	QXE7,QXE7/A,QXE8,QXE8/A,QXF8,QXF8/A,QXW2,QXW2/A,QXW4,QXW4/A
12	91501-ZJ1-840	COLLAR, TANK SETTING .....	-	-	4	-	-	-----	QXE7,QXE7/A,QXE8,QXE8/A,QXF8,QXF8/A,QXW2,QXW2/A,QXW4,QXW4/A
13	93891-05014-00	SCREW-WASHER, 5X14 .....	-	-	1	-	-	-----	QXE7,QXE7/A,QXE8,QXE8/A,QXF8,QXF8/A,QXW2,QXW2/A,QXW4,QXW4/A

2

E-17-3

FUEL TANK(4)

L12

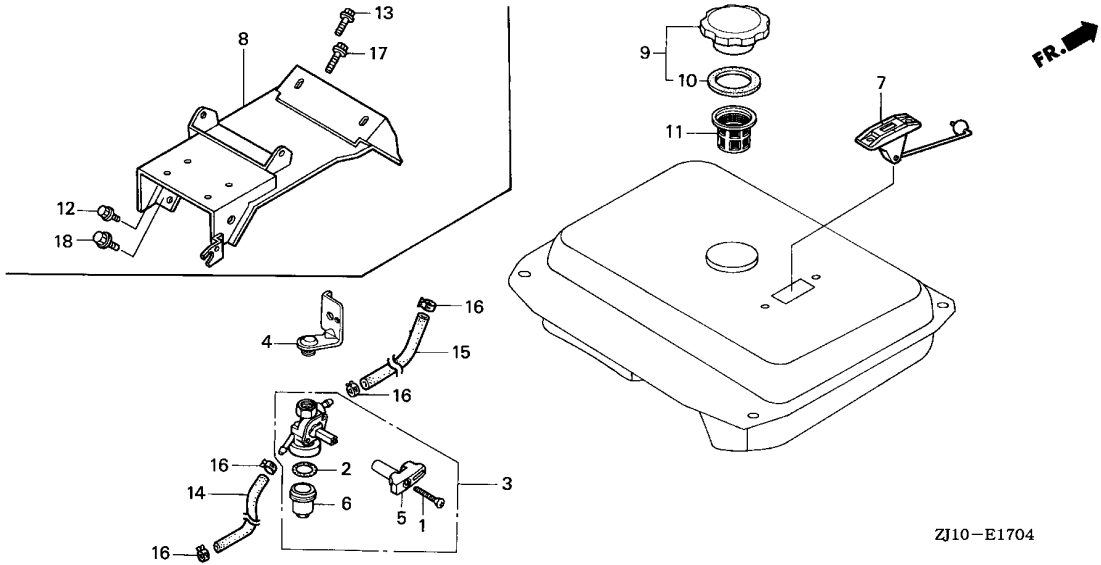


Ref. No.	Part No.	Description	Reqd. QTY					Serial No.	Parts catalogue code
			GX 620 (1)	GX 620 (2)	GX 620 K1 (1)	GX 620 (3)	GX 620 K1 (2)		
14	95002-02100	CLIP, TUBE (B10)	-	-	2	-	-	QXE7,QXE7/A,QXE8,QXE8/A,QXF8,QXF8/A,QXW2,QXW2/A,QXW4 QXW4/A	
15	95701-06045-07	BOLT, FLANGE, 6X45	-	-	4	-	-	QXE7,QXE7/A,QXE8,QXE8/A,QXF8,QXF8/A,QXW2,QXW2/A,QXW4 QXW4/A	
16	96001-06016-00	BOLT, FLANGE, 6X16	-	-	8	-	-	QXE7,QXE7/A,QXE8,QXE8/A,QXF8,QXF8/A,QXW2,QXW2/A,QXW4 QXW4/A	
17	95701-08020-00	BOLT, FLANGE, 8X20	-	-	4	-	-	QXE7,QXE7/A,QXE8,QXE8/A,QXF8,QXF8/A,QXW2,QXW2/A,QXW4 QXW4/A	

E-17-4

FUEL TANK(5)

L13

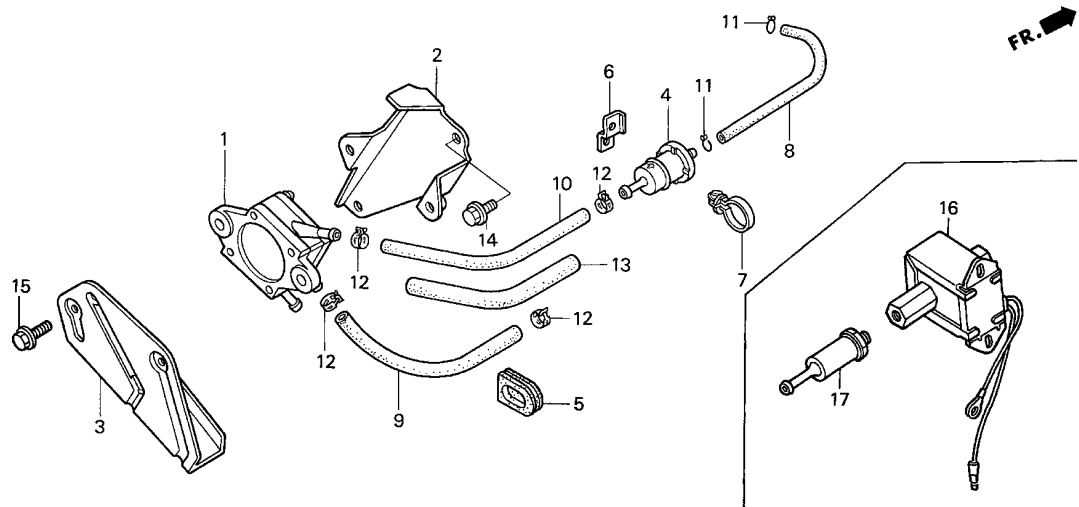


ZJ10-E1704

Ref. No.	L.O.N.	(Relative ref. Number) Description	F.R.T.
2	3101L6	PACKING, FUEL STRAINER CUP ...	0.1
3	3101A3	COCK, FUEL .....	0.2
5	3101E6	LEVER, FUEL COCK .....	0.1
7	6171A1	METER UNIT, FUEL .....	0.1
8	3101E0	STAY, FUEL TANK .....	0.2
11	3101A6	FILTER, FUEL .....	0.1
14	3101F2	TUBE, FUEL COCK .....	0.2
15	3101B7	HOSE, FUEL TANK .....	0.2

Ref. No.	Part No.	Description	Reqd. QTY					Serial No.	Parts catalogue code
			GX 620	GX 620	GX 620	GX 620	GX 620		
			(1)	(2)	(1)	(3)	(2)		
1	16080-191-005	SCREW, OVAL, 4X32 .....	1	-	-	-	-	VZE1	
2	16173-001-004	PACKING, FUEL STRAINER CUP ..	1	-	-	-	-	VZE1	
3	16950-ZA0-013	COCK ASSY., FUEL .....	1	-	-	-	-	VZE1	
4	16956-ZA0-010	STAY COMP., FUEL COCK .....	1	-	-	-	-	VZE1	
5	16963-191-005	LEVER, FUEL COCK .....	1	-	-	-	-	VZE1	
6	16967-MA2-771	CUP, FUEL STRAINER .....	1	-	-	-	-	VZE1	
7	17505-ZC8-003	METER ASSY., FUEL .....	1	-	-	-	-	VZE1	
8	17560-ZJ0-U70	STAY COMP., FUEL TANK .....	1	-	-	-	-	QAF2	
9	17620-899-013	CAP COMP., FUEL FILLER .....	1	-	-	-	-	VZE1	
10	17631-899-000	PACKING, FUEL FILLER CAP ....	1	-	-	-	-	VZE1	
11	17672-899-000	FILTER, FUEL .....	1	-	-	-	-	VZE1	
12	90018-ZE1-000	BOLT, FLANGE, 6X23(CT200) ...	1	-	-	-	-	QAF2	
13	90022-888-010	BOLT, FLANGE, 6X20(CT200) ...	1	-	-	-	-	QAF2	
14	95001-45140-50	HOSE, FUEL, 4.5X140	1	-	-	-	-	VZE1	
		(95001-45001-50M)	1	-	-	-	-	VZE1	
15	95001-55990-50	HOSE, FUEL, 5.5X990	1	-	-	-	-	VZE1	
		(95001-55001-50M)	1	-	-	-	-	VZE1	
16	95002-40850-08	CLAMP, TUBE (D8.5) .....	4	-	-	-	-	VZE1	
17	95701-08025-00	BOLT, FLANGE, 8X25 .....	2	-	-	-	-	QAF2	
18	95701-08030-00	BOLT, FLANGE, 8X30 .....	2	-	-	-	-	QAF2	





ZJ10-E1800A

Ref. No.	L.O.N.	(Relative ref. Number) Description	F.R.T.
1		(16)	
1	3101H9	PUMP, FUEL .....	0.2
3	3101A4	COVER, FUEL PUMP .....	0.1
4	3101H8	STRAINER, FUEL .....	0.2
8	3101F6	TUBE, FUEL .....	0.2
9	3101K7	TUBE, FUEL PUMP .....	0.4
10	3101K8	TUBE, FUEL PUMP(A) .....	0.2
17	3101J6	FILTER, FUEL LINE .....	0.1

Ref. No.	Part No.	Description	Reqd. QTY					Serial No.	Parts catalogue code
			GX 620 (1)	GX 620 (2)	GX 620 K1 (1)	GX 620 (3)	GX 620 K1 (2)		
1	16700-ZJ1-003	PUMP ASSY., FUEL .....	1	-	-	-	-	QAB, QAB4, QAB6, QAC6, QAF, QAF1, QAF2, QAF3, QAF4, QAF5, QAF6, QAF7, QAF8, QAP2, QDA1, QDE1, QDF, QDF4, QDF6, QDW, QXA, QXA1, QXA3, QXA4, QXA6, QXC4, QXE1, QXE3, QXF1, QXF3, QXF6, QYA, QYA4, QYF, QYF4, QYF6, QZX4, QZZ, SAE1, SAF1, TXF2, VAF, VAF4, VAF6, VXA1, VXA3, VXE1, VXE2, VXE4, VXE8, VXZ4, VYA1, VYA3, VZA1, VZA3, VZD, VZE1, VZE5, VZE7, VZE8, VZF1	
2	16711-ZJ1-800	STAY, FUEL PUMP .....	-	(1)	-	-	-		
3	16715-ZJ1-820	COVER, FUEL PUMP .....	1	-	-	-	-	QAB, QAB4, QAB6, QDA1, QXA, QXA1, QXA3, QXA4, QXA6, QXC4, QYA, QYA4, VXA1, VXA3, VYA1, VYA3, VZA1, VZA3	
4	16910-ZE8-005	STRAINER COMP., FUEL .....	1	-	-	-	-	1001433 QAB, QAF, QDF, QXA, QYA, QYF, VAF	
	16910-ZE8-015	.....	1	-	-	-	-	1001433 QAB4, QAB6, QAC6, QAF1, QAF2, QAF3, QAF4, QAF5, QAF6, QAF7, QAF8, QAP2, QDA1, QDE1, QDF4, QDF6, QDW, QXA1, QXA3, QXA4, QXA6, QXB1, QXC4, QXE1, QXE3, QXF1, QXF3, QXF6, QYA4, QYF4, QYF6, QZX4, QZZ, SAE1, SAF1, TXF2, VAF4, VAF6, VXA1, VXA3, VXE1, VXE2, VXE4, VXE8, VXZ4, VYA1, VYA3, VZA1, VZA3, VZD, VZE1, VZE5, VZE7, VZE8, VZF1	
			1	-	-	-	-	1001434 QAB, QAF, QDF, QXA, QYA, QYF, VAF	
5	19905-ZA8-701	GROMMET, CORD .....	1	-	-	-	-	1001434 QAB, QAB4, QAB6, QAC6, QAF, QAF1, QAF2, QAF3, QAF4, QAF5, QAF6, QAF7, QAF8, QAP2, QDA1, QDE1, QDF, QDF4, QDF6, QDW, QXA, QXA1, QXA3, QXA4, QXA6, QXB1, QXC4, QXE1, QXE3, QXF1, QXF3, QXF6, QYA, QYA4, QYF, QYF4, QYF6, QZX4, QZZ, SAE1, SAF1, TXF2, VAF, VAF4, VAF6, VXA1, VXA3, VXE1, VXE4, VXE8, VXZ4, VYA1, VYA3, VZA1, VZA3, VZD, VZE1, VZE5, VZE7, VZE8, VZF1	
			-	(1)	-	-	-		

E-18

FUEL PUMP(GX620)

L15

Ref. No.	Part No.	Description	Reqd. QTY					Serial No.	Parts catalogue code
			GX 620	GX 620	GX 620 K1	GX 620	GX 620 K1		
			(1)	(2)	(1)	(3)	(2)		
6	35806-752-630	BASE, CLIP .....	1	1	-	-	-		
7	90617-SAO-003	CLIP, WIRE HARNESS .....	1	1	-	-	-		
8	95001-45110-40	TUBE, FUEL, 4.5X110 (95001-45001-60M)	1	1	-	-	-		
9	95001-55195-40	TUBE, FUEL, 5.3X195 (95001-55001-60M)	1	-	-	-	-	----- QAB, QAB4, QAB6, QAC6, QAF, QAF1, QAF2, QAF3, QAF4, QAF5, QAF6, QAF7 QAF8, QAP2, QDA1, QDE1, QDF, QDF4, QDF6, QDW, QXA, QXA1, QXA3, QXA4 QXA6, QXC4, QXE1, QXE3, QXF1, QXF3, QXF6, QYA, QYA4, QYF, QYF4, QYF6 QZX4, QZZ, SAE1, SAF1, TXF2, VAF, VAF4, VAF6, VXA1, VXA3, VXE1, VXE2 VXE4, VXE8, VXZ4, VYA1, VYA3, VZA1, VZA3, VZD, VZE1, VZE5, VZE7, VZE8 VZF1	
			-	(1)	-	-	-		
10	95001-55215-40	TUBE, FUEL, 5.5X215 (95001-55001-60M)	1	1	-	-	-		
11	95002-02080	CLIP, TUBE (B8) .....	2	2	-	-	-		
12	95002-41050-08	CLAMP, TUBE (D10.5) .....	2	-	-	-	-	----- QXB1	
			4	-	-	-	-	----- QAB, QAB4, QAB6, QAC6, QAF, QAF1, QAF2, QAF3, QAF4, QAF5, QAF6, QAF7 QAF8, QAP2, QDA1, QDE1, QDF, QDF4, QDF6, QDW, QXA, QXA1, QXA3, QXA4 QXA6, QXC4, QXE1, QXE3, QXF1, QXF3, QXF6, QYA, QYA4, QYF, QYF4, QYF6 QZX4, QZZ, SAF1, TXF2, VAF, VAF4, VAF6, VXA1, VXA3, VXE1, VXE2, VXE4 VXE8, VXZ4, VYA1, VYA3, VZA1, VZA3, VZD, VZE1, VZE5, VZE7, VZE8, VZF1	
			-	2	-	-	-		
			4	-	-	-	-	----- SAE1	
			-	(2)	-	-	-		
13	95003-36016-20	TUBE, VINYL, 11X13X160 (95003-36001-10M)	1	1	-	-	-		
14	95701-06008-00	BOLT, FLANGE, 6X8 .....	2	(2)	-	-	-		
15	95701-06014-00	BOLT, FLANGE, 6X14 .....	2	-	-	-	-	----- QAB, QAB4, QAB6, QAC6, QAF, QAF1, QAF2, QAF3, QAF4, QAF5, QAF6, QAF7 QAF8, QAP2, QDA1, QDE1, QDF, QDF4, QDF6, QDW, QXA, QXA1, QXA3, QXA4 QXA6, QXC4, QXE1, QXE3, QXF1, QXF3, QXF6, QYA, QYA4, QYF, QYF4, QYF6 QZX4, QZZ, SAE1, SAF1, TXF2, VAF, VAF4, VAF6, VXA1, VXA3, VXE1, VXE2 VXE4, VXE8, VXZ4, VYA1, VYA3, VZA1, VZA3, VZD, VZE1, VZE5, VZE7, VZE8 VZF1	
			-	(2)	-	-	-		
16	16700-ZB5-003	PUMP ASSY., FUEL .....	1	-	-	-	-	----- QXB1	
17	16954-890-670	FILTER, FUEL LINE .....	1	-	-	-	-	----- 1025020 QXB1	

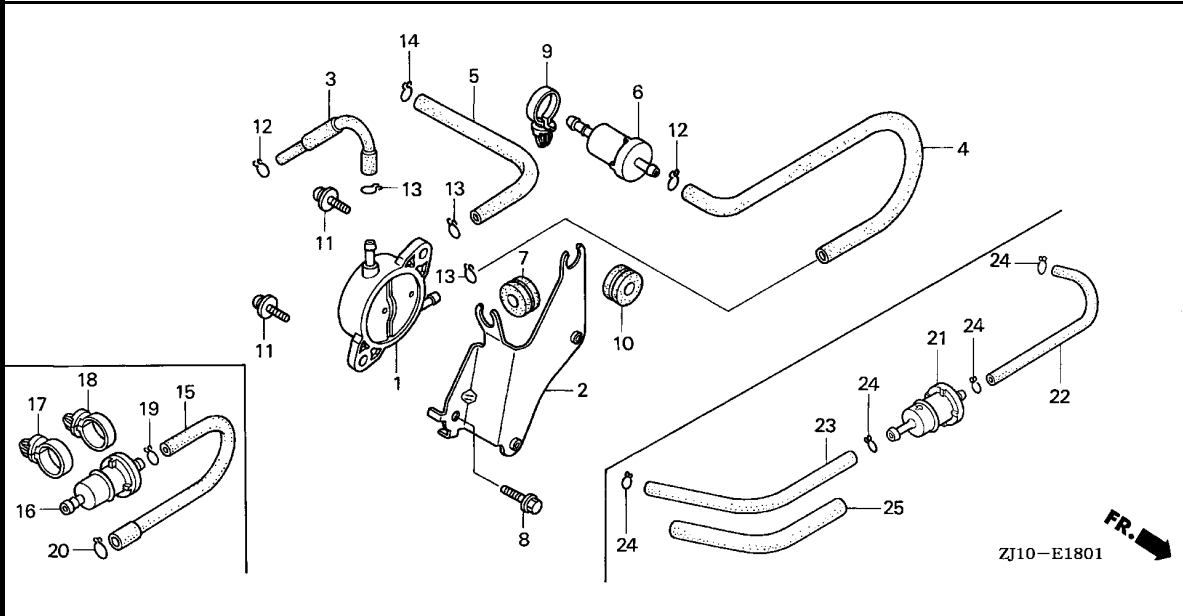
2



E-18-1

FUEL PUMP(GX620K1)

L16



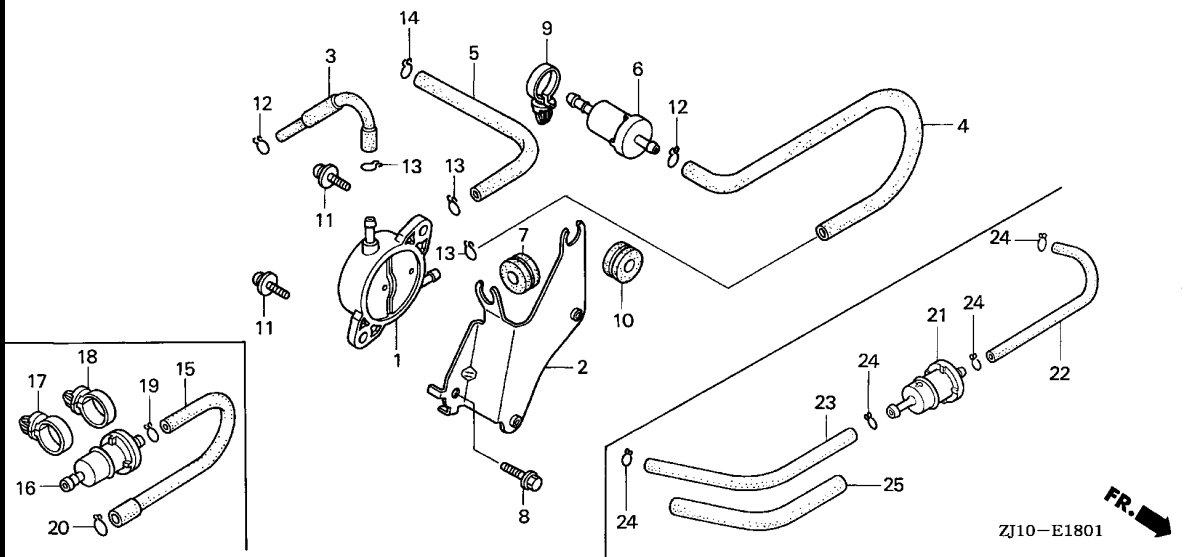
Ref. No.	L.O.N.	(Relative ref. Number) Description	F.R.T.
1	3101H9	PUMP, FUEL .....	0.3
2	3101J7	STAY, FUEL PUMP .....	0.3
3	3101K9	TUBE, FUEL PUMP(B) .....	0.3
4		(15)	
	3101F6	TUBE, FUEL .....	0.2
5	3101E5	TUBE, DIAPHRAGM .....	0.5
6		(16,21)	
	3101H8	STRAINER, FUEL .....	0.2
22	3101F8	TUBE, FUEL (B) .....	0.2
23	3101F5	TUBE, FUEL (A) .....	0.2

Ref. No.	Part No.	Description	Reqd. QTY					Serial No.	Parts catalogue code
			GX 620 (1)	GX 620 (2)	GX 620 K1 (1)	GX 620 (3)	GX 620 K1 (2)		
1	16700-ZL8-003	PUMP ASSY., FUEL .....	-	-	1	-	-	-----	QXF3,VYA1,VZA1
			-	-	1	-	-	-----	2062921 QAB,QAB6,QAF,QAF1,QAF2,QAF5,QAF6,QAF7,QAF8,QDF,QDF6,QDW QXA,QXA3,QXA6,QXC2,QXE1,QXE4,QXE5,QXF,QXF4,QXF6,QYA,QYF QZB,QZB2,QZB3,QZD,QZE3,QZE4,QZF1,QZF2,QZX4,QZX5,SAE1,SAF1 TXF2,VAF,VAF6,VDB2,VDC2,VXA1,VXA4,VXA5,VXA6,VXD4,VXE1,VXE2 VXE4,VXE8,VXF,VXF4,VXP2,VXZ4,VYA3,VZE7,VZE8
	16700-ZL8-013	.....	-	-	1	-	-	-----	QAB/A,QAB6/A,QAF/A,QAF1/A,QAF2/A,QAF5/A,QAF6/A,QAF7/A QAF8/A,QAF9,QAF9/A,QAX1,QAX1/A,QDF/A,QDF6/A,QDP2,QDP2/A QDW/A,QWA6,QWA6/A,QWF6,QWF6/A,QXA/A,QXA3/A,QXA6/A,QXC2/A QXE1/A,QXE4/A,QXE5/A,QXF/A,QXF4/A,QXF6/A,QYA/A,QYF/A,QZB/A QZB2/A,QZB3/A,QZD/A,QZE3/A,QZE4/A,QZF1/A,QZF2/A,QZF8 QZF8/A,QZX1,QZX1/A,QZX4/A,QZX5/A,SAE1/A,SAF1/A,TXF2/A,VAB2 VAB2/A,VAB3,VAB3/A,VAF/A,VAF6/A,VDB2/A,VDC2/A,VEP4,VEP4/A VXA1/A,VXA4/A,VXA5/A,VXA6/A,VXD4/A,VXE1/A,VXE2/A,VXE4/A VXE8/A,VXF/A,VXF4/A,VXP2/A,VXZ4/A,VYA3/A,VYE3,VYE3/A VZE7/A,VZE8/A
			-	-	1	-	-	-----	2062922 QAB,QAB6,QAF,QAF1,QAF2,QAF5,QAF6,QAF7,QAF8,QDF,QDF6,QDW QXA,QXA3,QXA6,QXC2,QXE1,QXE4,QXE5,QXF,QXF4,QXF6,QYA,QYF QZB,QZB2,QZB3,QZD,QZE3,QZE4,QZF1,QZF2,QZX4,QZX5,SAE1,SAF1 TXF2,VAF,VAF6,VDB2,VDC2,VXA1,VXA4,VXA5,VXA6,VXD4,VXE1,VXE2 VXE4,VXE8,VXF,VXF4,VXP2,VXZ4,VYA3,VZE7,VZE8

2

Ref. No.	Part No.	Description	Reqd. QTY					Serial No.	Parts catalogue code
			GX 620	GX 620	GX 620 K1	GX 620	GX 620 K1		
			(1)	(2)	(1)	(3)	(2)		
2	16711-ZJ1-840	STAY, FUEL PUMP .....	-	-	1	-	-	-----	QAB, QAB/A, QAB6, QAB6/A, QAF, QAF/A, QAF1, QAF1/A, QAF2, QAF2/A, QAF5, QAF5/A, QAF6, QAF6/A, QAF7, QAF7/A, QAF8, QAF8/A, QAF9, QAF9/A, QAX1, QAX1/A, QDF, QDF/A, QDF6, QDF6/A, QDP2, QDP2/A, QDW, QDW/A, QWA6, QWA6/A, QWF6, QWF6/A, QXA, QXA/A, QXA3, QXA3/A, QXA6, QXA6/A, QXC2, QXC2/A, QXE1, QXE1/A, QXE4, QXE4/A, QXE5, QXE5/A, QXF, QXF/A, QXF3, QXF4, QXF4/A, QXF6, QXF6/A, QYA, QYA/A, QYF, QYF/A, QZB, QZB/A, QZB2, QZB2/A, QZB3, QZB3/A, QZD, QZD/A, QZE3, QZE3/A, QZE4, QZE4/A, QZF1, QZF1/A, QZF2, QZF2/A, QZF8, QZF8/A, QZX1, QZX1/A, QZX4, QZX4/A, QZX5, QZX5/A, SAE1, SAE1/A, SAF1, SAF1/A, TXF2, TXF2/A, VAB2, VAB2/A, VAB3, VAB3/A, VAF, VAF/A, VAF6, VAF6/A, VDB2, VDB2/A, VDC2, VDC2/A, VEP4, VEP4/A, VXA1, VXA1/A, VXA4, VXA4/A, VXA5, VXA5/A, VXA6, VXA6/A, VXD4, VXD4/A, VXE1, VXE1/A, VXE2, VXE2/A, VXE4, VXE4/A, VXE8, VXE8/A, VXF, VXF/A, VXF4, VXF4/A, VXP2, VXP2/A, VXZ4, VXZ4/A, VYA1, VYA3, VYA3/A, VYE3, VYE3/A, VZA1, VZE7, VZE7/A, VZE8, VZE8/A
3	16850-ZJ1-840	TUBE COMP., FUEL (A) .....	-	-	1	-	-	-----	QAB, QAB/A, QAB6, QAB6/A, QAF, QAF/A, QAF1, QAF1/A, QAF2, QAF2/A, QAF5, QAF5/A, QAF6, QAF6/A, QAF7, QAF7/A, QAF8, QAF8/A, QAF9, QAF9/A, QAX1, QAX1/A, QDF, QDF/A, QDF6, QDF6/A, QDP2, QDP2/A, QDW, QDW/A, QWA6, QWA6/A, QWF6, QWF6/A, QXA, QXA/A, QXA3, QXA3/A, QXA6, QXA6/A, QXC2, QXC2/A, QXE1, QXE1/A, QXE4, QXE4/A, QXE5, QXE5/A, QXF, QXF/A, QXF3, QXF4, QXF4/A, QXF6, QXF6/A, QYA, QYA/A, QYF, QYF/A, QZB, QZB/A, QZB2, QZB2/A, QZB3, QZB3/A, QZD, QZD/A, QZE3, QZE3/A, QZE4, QZE4/A, QZF1, QZF1/A, QZF2, QZF2/A, QZF8, QZF8/A, QZX1, QZX1/A, QZX4, QZX4/A, QZX5, QZX5/A, SAE1, SAE1/A, SAF1, SAF1/A, TXF2, TXF2/A, VAB2, VAB2/A, VAB3, VAB3/A, VAF, VAF/A, VAF6, VAF6/A, VDB2, VDB2/A, VDC2, VDC2/A, VEP4, VEP4/A, VXA1, VXA1/A, VXA4, VXA4/A, VXA5, VXA5/A, VXA6, VXA6/A, VXD4, VXD4/A, VXE1, VXE1/A, VXE2, VXE2/A, VXE4, VXE4/A, VXE8, VXE8/A, VXF, VXF/A, VXF4, VXF4/A, VXP2, VXP2/A, VXZ4, VXZ4/A, VYA1, VYA3, VYA3/A, VYE3, VYE3/A, VZA1, VZE7, VZE7/A, VZE8, VZE8/A
4	16852-ZJ1-840	TUBE B, FUEL .....	-	-	1	-	-	-----	QAB, QAB/A, QAB6, QAB6/A, QAF, QAF/A, QAF1, QAF1/A, QAF5, QAF5/A, QAF6, QAF6/A, QAF7, QAF7/A, QAF8, QAF8/A, QAF9, QAF9/A, QAX1, QAX1/A, QDF, QDF/A, QDF6, QDF6/A, QDW, QDW/A, QWA6, QWA6/A, QWF6, QWF6/A, QXA, QXA/A, QXA3, QXA3/A, QXA6, QXA6/A, QXC2, QXC2/A, QXE1, QXE1/A, QXE5, QXE5/A, QXF, QXF/A, QXF3, QXF4, QXF4/A, QXF6, QXF6/A, QYA, QYA/A, QYF, QYF/A, QZB, QZB/A, QZB2, QZB2/A, QZB3, QZB3/A, QZD, QZD/A, QZE3, QZE3/A, QZE4, QZE4/A, QZF1, QZF1/A, QZF2, QZF2/A, QZF8, QZF8/A, QZX1, QZX1/A, QZX4, QZX4/A, QZX5, QZX5/A, SAE1, SAE1/A, SAF1, SAF1/A, VAB2, VAB2/A, VAB3, VAB3/A, VAF, VAF/A, VAF6, VAF6/A, VDB2, VDB2/A, VDC2, VDC2/A, VEP4, VEP4/A, VXA1, VXA1/A, VXA4, VXA4/A, VXA5, VXA5/A, VXA6, VXA6/A, VXD4, VXD4/A, VXE1, VXE1/A, VXE2, VXE2/A, VXE4, VXE4/A, VXE8, VXE8/A, VXF, VXF/A, VXF4, VXF4/A, VXP2, VXP2/A, VXZ4, VXZ4/A, VYA1, VYA3, VYA3/A, VYE3, VYE3/A, VZA1, VZE7, VZE7/A, VZE8, VZE8/A

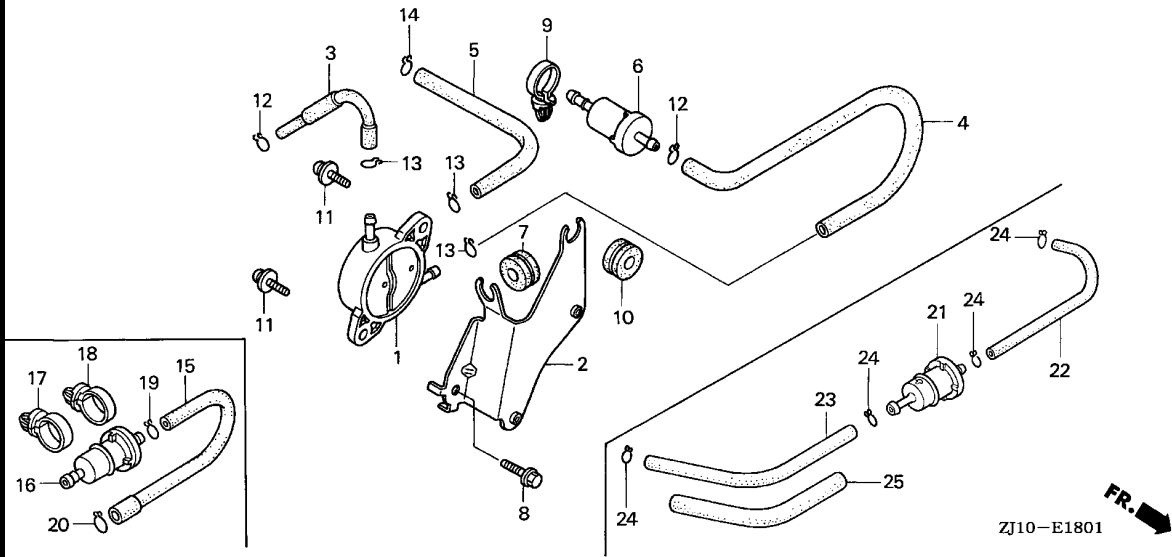




Ref. No.	Part No.	Description	Reqd. QTY					Serial No.	Parts catalogue code
			GX 620	GX 620	GX 620 K1	GX 620	GX 620 K1		
5	16882-ZJ1-840	TUBE, DIAPHRAGM .....	-	-	1	-	-	-----	QAB,QAB/A,QAB6,QAB6/A,QAF,QAF/A,QAF1,QAF1/A,QAF2,QAF2/A,QAF5,QAF5/A,QAF6,QAF6/A,QAF7,QAF7/A,QAF8,QAF8/A,QAF9,QAF9/A,QAX1,QAX1/A,QDF,QDF/A,QDF6,QDF6/A,QDP2,QDP2/A,QDW,QDW/A,QWA6,QWA6/A,QWF6,QWF6/A,QXA,QXA/A,QXA3,QXA3/A,QXA6,QXA6/A,QXC2,QXC2/A,QXE1,QXE1/A,QXE4,QXE4/A,QXE5,QXE5/A,QXF,QXF/A,QXF3,QXF4,QXF4/A,QXF6,QXF6/A,QYA,QYA/A,QYF,QYF/A,QZB,QZB/A,QZB2,QZB2/A,QZB3,QZB3/A,QZD,QZD/A,QZE3,QZE3/A,QZE4,QZE4/A,QZF1,QZF1/A,QZF2,QZF2/A,QZF8,QZF8/A,QZX1,QZX1/A,QZX4,QZX4/A,QZX5,QZX5/A,SAE1,SAE1/A,SAF1,SAF1/A,TXF2,TXF2/A,VAB2,VAB2/A,VAB3,VAB3/A,VAF,VAF/A,VAF6,VAF6/A,VDB2,VDB2/A,VDC2,VDC2/A,VEP4,VEP4/A,VXA1,VXA1/A,VXA4,VXA4/A,VXA5,VXA5/A,VXA6,VXA6/A,VXD4,VXD4/A,VXE1,VXE1/A,VXE2,VXE2/A,VXE4,VXE4/A,VXE8,VXE8/A,VXF,VXF/A,VXF4,VXF4/A,VXP2,VXP2/A,VXZ4,VXZ4/A,VYA1,VYA3,VYA3/A,VYE3,VYE3/A,VZA1,VZE7,VZE7/A,VZE8,VZE8/A

Ref. No.	Part No.	Description	Reqd. QTY					Serial No.	Parts catalogue code
			GX 620 (1)	GX 620 (2)	GX 620 K1 (1)	GX 620 (3)	GX 620 K1 (2)		
6	16910-ZE8-015	STRAINER COMP., FUEL .....	-	-	1	-	-	-----	QAB,QAB/A,QAB6,QAB6/A,QAF,QAF/A,QAF1,QAF1/A,QAF5,QAF5/A,QAF6,QAF6/A,QAF7,QAF7/A,QAF8,QAF8/A,QAF9,QAF9/A,QAX1,QAX1/A,QDF,QDF/A,QDF6,QDF6/A,QDW,QDW/A,QWA6,QWA6/A,QWF6,QWF6/A,QXA,QXA/A,QXA3,QXA3/A,QXA6,QXA6/A,QXB1,QXB1/A,QXC2,QXC2/A,QXE1,QXE1/A,QXE5,QXE5/A,QXF,QXF/A,QXF3,QXF3/A,QXF4,QXF4/A,QXF6,QXF6/A,QYA,QYA/A,QYF,QYF/A,QZB,QZB/A,QZB2,QZB2/A,QZB3,QZB3/A,QZD,QZD/A,QZE3,QZE3/A,QZE4,QZE4/A,QZF1,QZF1/A,QZF2,QZF2/A,QZF8,QZF8/A,QZX1,QZX1/A,QZX4,QZX4/A,QZX5,QZX5/A,SAE1,SAE1/A,SAF1,SAF1/A,VAB2,VAB2/A,VAB3,VAB3/A,VAF,VAF/A,VAF6,VAF6/A,VDB2,VDB2/A,VDC2,VDC2/A,VEP4,VEP4/A,VXA1,VXA1/A,VXA4,VXA4/A,VXA5,VXA5/A,VXA6,VXA6/A,VXD4,VXD4/A,VXE1,VXE1/A,VXE2,VXE2/A,VXE4,VXE4/A,VXE8,VXE8/A,VXF,VXF/A,VXF4,VXF4/A,VXP2,VXP2/A,VXZ4,VXZ4/A,VYA1,VYA3,VYA3/A,VYE3,VYE3/A,VZA1,VZE7,VZE7/A,VZE8,VZE8/A
7	19111-MF5-000	GROMMET, RESERVE TANK .....	-	-	1	-	-	-----	QAB,QAB/A,QAB6,QAB6/A,QAF,QAF/A,QAF1,QAF1/A,QAF2,QAF2/A,QAF5,QAF5/A,QAF6,QAF6/A,QAF7,QAF7/A,QAF8,QAF8/A,QAF9,QAF9/A,QAX1,QAX1/A,QDF,QDF/A,QDF6,QDF6/A,QDP2,QDP2/A,QDW,QDW/A,QWA6,QWA6/A,QWF6,QWF6/A,QXA,QXA/A,QXA3,QXA3/A,QXA6,QXA6/A,QXC2,QXC2/A,QXE1,QXE1/A,QXE4,QXE4/A,QXE5,QXE5/A,QXF,QXF/A,QXF3,QXF3/A,QXF4,QXF4/A,QXF6,QXF6/A,QYA,QYA/A,QYF,QYF/A,QZB,QZB/A,QZB2,QZB2/A,QZB3,QZB3/A,QZD,QZD/A,QZE3,QZE3/A,QZE4,QZE4/A,QZF1,QZF1/A,QZF2,QZF2/A,QZF8,QZF8/A,QZX1,QZX1/A,QZX4,QZX4/A,QZX5,QZX5/A,SAE1,SAE1/A,SAF1,SAF1/A,TFX2,TFX2/A,VAB2,VAB2/A,VAB3,VAB3/A,VAF,VAF/A,VAF6,VAF6/A,VDB2,VDB2/A,VDC2,VDC2/A,VEP4,VEP4/A,VXA1,VXA1/A,VXA4,VXA4/A,VXA5,VXA5/A,VXA6,VXA6/A,VXD4,VXD4/A,VXE1,VXE1/A,VXE2,VXE2/A,VXE4,VXE4/A,VXE8,VXE8/A,VXF,VXF/A,VXF4,VXF4/A,VXP2,VXP2/A,VXZ4,VXZ4/A,VYA1,VYA3,VYA3/A,VYE3,VYE3/A,VZA1,VZE7,VZE7/A,VZE8,VZE8/A
8	90014-952-000	BOLT, FLANGE, 6X14(CT200) ...	-	-	1	-	-	-----	QAB,QAB/A,QAB6,QAB6/A,QAF,QAF/A,QAF1,QAF1/A,QAF2,QAF2/A,QAF5,QAF5/A,QAF6,QAF6/A,QAF7,QAF7/A,QAF8,QAF8/A,QAF9,QAF9/A,QAX1,QAX1/A,QDF,QDF/A,QDF6,QDF6/A,QDP2,QDP2/A,QDW,QDW/A,QWA6,QWA6/A,QWF6,QWF6/A,QXA,QXA/A,QXA3,QXA3/A,QXA6,QXA6/A,QXC2,QXC2/A,QXE1,QXE1/A,QXE4,QXE4/A,QXE5,QXE5/A,QXF,QXF/A,QXF3,QXF3/A,QXF4,QXF4/A,QXF6,QXF6/A,QYA,QYA/A,QYF,QYF/A,QZB,QZB/A,QZB2,QZB2/A,QZB3,QZB3/A,QZD,QZD/A,QZE3,QZE3/A,QZE4,QZE4/A,QZF1,QZF1/A,QZF2,QZF2/A,QZF8,QZF8/A,QZX1,QZX1/A,QZX4,QZX4/A,QZX5,QZX5/A,SAE1,SAE1/A,SAF1,SAF1/A,TFX2,TFX2/A,VAB2,VAB2/A,VAB3,VAB3/A,VAF,VAF/A,VAF6,VAF6/A,VDB2,VDB2/A,VDC2,VDC2/A,VEP4,VEP4/A,VXA1,VXA1/A,VXA4,VXA4/A,VXA5,VXA5/A,VXA6,VXA6/A,VXD4,VXD4/A,VXE1,VXE1/A,VXE2,VXE2/A,VXE4,VXE4/A,VXE8,VXE8/A,VXF,VXF/A,VXF4,VXF4/A,VXP2,VXP2/A,VXZ4,VXZ4/A,VYA1,VYA3,VYA3/A,VYE3,VYE3/A,VZA1,VZE7,VZE7/A,VZE8,VZE8/A

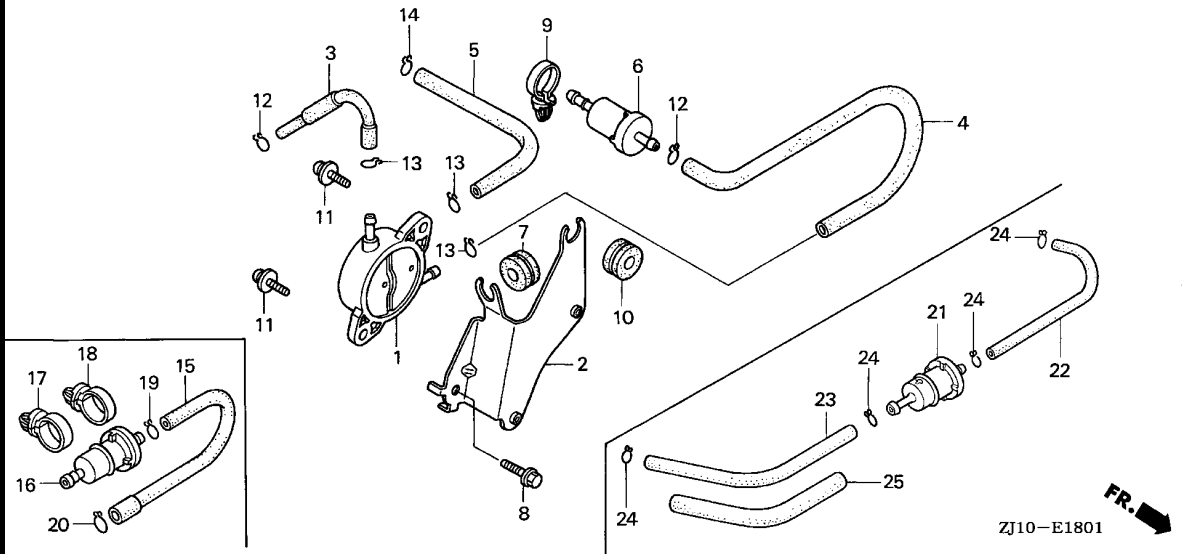




Ref. No.	Part No.	Description	Reqd. QTY					Serial No.	Parts catalogue code
			GX 620	GX 620	GX 620 K1	GX 620 (3)	GX 620 (2)		
9	90617-SA0-003	CLIP, WIRE HARNESS .....	-	-	1	-	-	-----	QAB,QAB/A,QAB6,QAB6/A,QAF,QAF/A,QAF1,QAF1/A,QAF5,QAF5/A,QAF6,QAF6/A,QAF7,QAF7/A,QAF8,QAF8/A,QAF9,QAF9/A,QAX1,QAX1/A,QDF,QDF/A,QDF6,QDF6/A,QDW,QDW/A,QWA6,QWA6/A,QWF6,QWF6/A,QXA,QXA/A,QXA3,QXA3/A,QXA6,QXA6/A,QXB1,QXB1/A,QXC2,QXC2/A,QXE1,QXE1/A,QXE5,QXE5/A,QXF,QXF/A,QXF3,QXF4,QXF4/A,QXF6,QXF6/A,QYA,QYA/A,QYF,QYF/A,QZB,QZB/A,QZB2,QZB2/A,QZB3,QZB3/A,QZD,QZD/A,QZE3,QZE3/A,QZE4,QZE4/A,QZF1,QZF1/A,QZF2,QZF2/A,QZF8,QZF8/A,QZX1,QZX1/A,QZX4,QZX4/A,QZX5,QZX5/A,SAE1,SAE1/A,SAF1,SAF1/A,VAB2,VAB2/A,VAB3,VAB3/A,VAF,VAF/A,VAF6,VAF6/A,VDB2,VDB2/A,VDC2,VDC2/A,VEP4,VEP4/A,VXA1,VXA1/A,VXA4,VXA4/A,VXA5,VXA5/A,VXA6,VXA6/A,VXD4,VXD4/A,VXE1,VXE1/A,VXE2,VXE2/A,VXE4,VXE4/A,VXE8,VXE8/A,VXF,VXF/A,VXF4,VXF4/A,VXP2,VXP2/A,VXZ4,VXZ4/A,VYA1,VYA3,VYA3/A,VYE3,VYE3/A,VZA1,VZE7,VZE7/A,VZE8,VZE8/A

Ref. No.	Part No.	Description	Reqd. QTY					Serial No.	Parts catalogue code
			GX 620	GX 620	GX 620 K1	GX 620	GX 620 K1		
			(1)	(2)	(1)	(3)	(2)		
10	91601-ZJ1-840	GROMMET, PUMP STAY .....	-	-	1	-	-	-----	QAB,QAB/A,QAB6,QAB6/A,QAF,QAF/A,QAF1,QAF1/A,QAF2,QAF2/A,QAF5,QAF5/A,QAF6,QAF6/A,QAF7,QAF7/A,QAF8,QAF8/A,QAF9,QAF9/A,QAX1,QAX1/A,QDF,QDF/A,QDF6,QDF6/A,QDP2,QDP2/A,QDW,QDW/A,QWA6,QWA6/A,QWF6,QWF6/A,QXA,QXA/A,QXA3,QXA3/A,QXA6,QXA6/A,QXC2,QXC2/A,QXE1,QXE1/A,QXE4,QXE4/A,QXE5,QXE5/A,QXF,QXF/A,QXF3,QXF4,QXF4/A,QXF6,QXF6/A,QYA,QYA/A,QYF,QYF/A,QZB,QZB/A,QZB2,QZB2/A,QZB3,QZB3/A,QZD,QZD/A,QZE3,QZE3/A,QZE4,QZE4/A,QZF1,QZF1/A,QZF2,QZF2/A,QZF8,QZF8/A,QZX1,QZX1/A,QZX4,QZX4/A,QZX5,QZX5/A,SAE1,SAE1/A,SAF1,SAF1/A,TFX2,TFX2/A,VAB2,VAB2/A,VAB3,VAB3/A,VAF,VAF/A,VAF6,VAF6/A,VDB2,VDB2/A,VDC2,VDC2/A,VEP4,VEP4/A,VXA1,VXA1/A,VXA4,VXA4/A,VXA5,VXA5/A,VXA6,VXA6/A,VXD4,VXD4/A,VXE1,VXE1/A,VXE2,VXE2/A,VXE4,VXE4/A,VXE8,VXE8/A,VXF,VXF/A,VXF4,VXF4/A,VXP2,VXP2/A,VXZ4,VXZ4/A,VYA1,VYA3,VYA3/A,VYE3,VYE3/A,VZA1,VZE7,VZE7/A,VZE8,VZE8/A
11	93894-06016-00	SCREW-WASHER, 6X16 .....	-	-	2	-	-	-----	QAB,QAB/A,QAB6,QAB6/A,QAF,QAF/A,QAF1,QAF1/A,QAF2,QAF2/A,QAF5,QAF5/A,QAF6,QAF6/A,QAF7,QAF7/A,QAF8,QAF8/A,QAF9,QAF9/A,QAX1,QAX1/A,QDF,QDF/A,QDF6,QDF6/A,QDP2,QDP2/A,QDW,QDW/A,QWA6,QWA6/A,QWF6,QWF6/A,QXA,QXA/A,QXA3,QXA3/A,QXA6,QXA6/A,QXC2,QXC2/A,QXE1,QXE1/A,QXE4,QXE4/A,QXE5,QXE5/A,QXF,QXF/A,QXF3,QXF4,QXF4/A,QXF6,QXF6/A,QYA,QYA/A,QYF,QYF/A,QZB,QZB/A,QZB2,QZB2/A,QZB3,QZB3/A,QZD,QZD/A,QZE3,QZE3/A,QZE4,QZE4/A,QZF1,QZF1/A,QZF2,QZF2/A,QZF8,QZF8/A,QZX1,QZX1/A,QZX4,QZX4/A,QZX5,QZX5/A,SAE1,SAE1/A,SAF1,SAF1/A,TFX2,TFX2/A,VAB2,VAB2/A,VAB3,VAB3/A,VAF,VAF/A,VAF6,VAF6/A,VDB2,VDB2/A,VDC2,VDC2/A,VEP4,VEP4/A,VXA1,VXA1/A,VXA4,VXA4/A,VXA5,VXA5/A,VXA6,VXA6/A,VXD4,VXD4/A,VXE1,VXE1/A,VXE2,VXE2/A,VXE4,VXE4/A,VXE8,VXE8/A,VXF,VXF/A,VXF4,VXF4/A,VXP2,VXP2/A,VXZ4,VXZ4/A,VYA1,VYA3,VYA3/A,VYE3,VYE3/A,VZA1,VZE7,VZE7/A,VZE8,VZE8/A
12	95002-02080	CLIP, TUBE (B8) .....	-	-	1	-	-	-----	QAF2,QAF2/A,QDP2,QDP2/A,QXE4,QXE4/A,TFX2,TFX2/A
			-	-	2	-	-	-----	QAB,QAB/A,QAB6,QAB6/A,QAF,QAF/A,QAF1,QAF1/A,QAF5,QAF5/A,QAF6,QAF6/A,QAF7,QAF7/A,QAF8,QAF8/A,QAF9,QAF9/A,QAX1,QAX1/A,QDF,QDF/A,QDF6,QDF6/A,QDW,QDW/A,QWA6,QWA6/A,QWF6,QWF6/A,QXA,QXA/A,QXA3,QXA3/A,QXA6,QXA6/A,QXC2,QXC2/A,QXE1,QXE1/A,QXE5,QXE5/A,QXF,QXF/A,QXF3,QXF4,QXF4/A,QXF6,QXF6/A,QYA,QYA/A,QYF,QYF/A,QZB,QZB/A,QZB2,QZB2/A,QZB3,QZB3/A,QZD,QZD/A,QZE3,QZE3/A,QZE4,QZE4/A,QZF1,QZF1/A,QZF2,QZF2/A,QZF8,QZF8/A,QZX1,QZX1/A,QZX4,QZX4/A,QZX5,QZX5/A,SAE1,SAE1/A,SAF1,SAF1/A,VAB2,VAB2/A,VAB3,VAB3/A,VAF,VAF/A,VAF6,VAF6/A,VDB2,VDB2/A,VDC2,VDC2/A,VEP4,VEP4/A,VXA1,VXA1/A,VXA4,VXA4/A,VXA5,VXA5/A,VXA6,VXA6/A,VXD4,VXD4/A,VXE1,VXE1/A,VXE2,VXE2/A,VXE4,VXE4/A,VXE8,VXE8/A,VXF,VXF/A,VXF4,VXF4/A,VXP2,VXP2/A,VXZ4,VXZ4/A,VYA1,VYA3,VYA3/A,VYE3,VYE3/A,VZA1,VZE7,VZE7/A,VZE8,VZE8/A



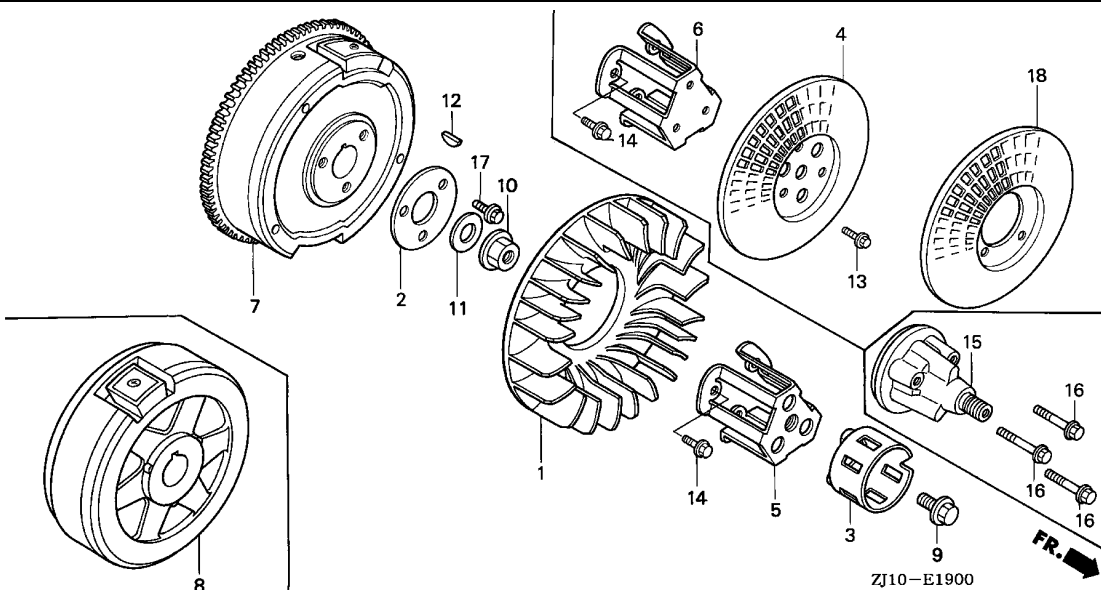


Ref. No.	Part No.	Description	Reqd. QTY					Serial No.	Parts catalogue code
			GX 620	GX 620	GX 620 K1	GX 620	GX 620 K1		
13	95002-02100	CLIP, TUBE (B10)	-	-	2	-	-	QAF2,QAF2/A,QDP2,QDP2/A,QXE4,QXE4/A,TFX2,TFX2/A	
			-	-	3	-	-	QAB,QAB/A,QAB6,QAB6/A,QAF,QAF/A,QAF1,QAF1/A,QAF5,QAF5/A	
								QAF6,QAF6/A,QAF7,QAF7/A,QAF8,QAF8/A,QAF9,QAF9/A,QAX1	
								QAX1/A,QDF,QDF/A,QDF6,QDF6/A,QDW,QDW/A,QWA6,QWA6/A,QWF6	
								QWF6/A,QXA,QXA/A,QXA3,QXA3/A,QXA6,QXA6/A,QXC2,QXC2/A,QXE1	
								QXE1/A,QXE5,QXE5/A,QXF,QXF/A,QXF3,QXF4,QXF4/A,QXF6,QXF6/A	
								QYA,QYA/A,QYF,QYF/A,QZB,QZB/A,QZB2,QZB2/A,QZB3,QZB3/A,QZD	
								QZD/A,QZE3,QZE3/A,QZE4,QZE4/A,QZF1,QZF1/A,QZF2,QZF2/A,QZF8	
								QZF8/A,QZX1,QZX1/A,QZX4,QZX4/A,QZX5,QZX5/A,SAE1,SAE1/A	
								SAF1,SAF1/A,VAB2,VAB2/A,VAB3,VAB3/A,VAF,VAF/A,VAF6,VAF6/A	
								VDB2,VDB2/A,VDC2,VDC2/A,VEP4,VEP4/A,VXA1,VXA1/A,VXA4	
								VXA4/A,VXA5,VXA5/A,VXA6,VXA6/A,VXD4,VXD4/A,VXE1,VXE1/A	
								VXE2,VXE2/A,VXE4,VXE4/A,VXE8,VXE8/A,VXF,VXF/A,VXF4,VXF4/A	
								VXP2,VXP2/A,VXZ4,VXZ4/A,VYA1,VYA3,VYA3/A,VYE3,VYE3/A,VZA1	
								VZE7,VZE7/A,VZE8,VZE8/A	

Ref. No.	Part No.	Description	Reqd. QTY					Serial No.	Parts catalogue code
			GX 620	GX 620	GX 620 K1	GX 620	GX 620 K1		
			(1)	(2)	(1)	(3)	(2)		
14	95002-50000	CLIP, TUBE (C9) .....	-	-	1	-	-	-----	QAB,QAB/A,QAB6,QAB6/A,QAF,QAF/A,QAF1,QAF1/A,QAF2,QAF2/A QAF5,QAF5/A,QAF6,QAF6/A,QAF7,QAF7/A,QAF8,QAF8/A,QAF9 QAF9/A,QAX1,QAX1/A,QDF,QDF/A,QDF6,QDF6/A,QDP2,QDP2/A,QDW QDW/A,QWA6,QWA6/A,QWF6,QWF6/A,QXA,QXA/A,QXA3,QXA3/A,QXA6 QXA6/A,QXC2,QXC2/A,QXE1,QXE1/A,QXE4,QXE4/A,QXE5,QXE5/A,QXF QXF/A,QXF3,QXF4,QXF4/A,QXF6,QXF6/A,QYA,QYA/A,QYF,QYF/A,QZB QZB/A,QZB2,QZB2/A,QZB3,QZB3/A,QZD,QZD/A,QZE3,QZE3/A,QZE4 QZE4/A,QZF1,QZF1/A,QZF2,QZF2/A,QZF8,QZF8/A,QZX1,QZX1/A QZX4,QZX4/A,QZX5,QZX5/A,SAE1,SAE1/A,SAF1,SAF1/A,TFX2 TFX2/A,VAB2,VAB2/A,VAB3,VAB3/A,VAF,VAF/A,VAF6,VAF6/A,VDB2 VDB2/A,VDC2,VDC2/A,VEP4,VEP4/A,VXA1,VXA1/A,VXA4,VXA4/A VXA5,VXA5/A,VXA6,VXA6/A,VXD4,VXD4/A,VXE1,VXE1/A,VXE2 VXE2/A,VXE4,VXE4/A,VXE8,VXE8/A,VXF,VXF/A,VXF4,VXF4/A,VXP2 VXP2/A,VXZ4,VXZ4/A,VYA1,VYA3,VYA3/A,VYE3,VYE3/A,VZA1,VZE7 VZE7/A,VZE8,VZE8/A
15	16852-ZJ1-850 16852-ZJ1-P00	TUBE B, FUEL .....	-	-	1	-	-	-----	QAF2,QAF2/A,QDP2,QDP2/A,QXE4,QXE4/A,TFX2,TFX2/A QAD2,QAD2/A
16	16910-ZE8-015	STRAINER COMP., FUEL .....	-	-	1	-	-	-----	QAD2,QAD2/A,QAF2,QAF2/A,QDP2,QDP2/A,QXE4,QXE4/A,TFX2 TFX2/A
17	90617-SAO-003	CLIP, WIRE HARNESS .....	-	-	1	-	-	-----	QAF2,QAF2/A,QDP2,QDP2/A,QXE4,QXE4/A,TFX2,TFX2/A
18	90617-SAO-003	CLIP, WIRE HARNESS .....	-	-	1	-	-	-----	QAF2,QAF2/A,QDP2,QDP2/A,QXE4,QXE4/A,TFX2,TFX2/A
19	95002-02080	CLIP, TUBE (B8) .....	-	-	1	-	-	-----	QAF2,QAF2/A,QDP2,QDP2/A,QXE4,QXE4/A,TFX2,TFX2/A
20	95002-02100 95002-02080	CLIP, TUBE (B10) .....	-	-	1	-	-	-----	QAF2,QAF2/A,QDP2,QDP2/A,QXE4,QXE4/A,TFX2,TFX2/A QAD2,QAD2/A
21	16910-ZE8-015	STRAINER COMP., FUEL .....	-	-	1	-	-	-----	QXE7,QXE7/A,QXE8,QXE8/A,QXF8,QXF8/A,QXW2,QXW2/A,QXW4 QXW4/A
22	95001-45055-40 (95001-45001-60M)	TUBE, FUEL, 4.5X55 .....	-	-	1	-	-	-----	QXE7,QXE7/A,QXE8,QXE8/A,QXF8,QXF8/A,QXW2,QXW2/A,QXW4 QXW4/A
23	95001-55030-40 (95001-55001-60M)	TUBE, FUEL, 5.3X30 .....	-	-	1	-	-	-----	QXE7,QXE7/A,QXE8,QXE8/A,QXF8,QXF8/A,QXW2,QXW2/A,QXW4 QXW4/A
24	95002-02080	CLIP, TUBE (B8) .....	-	-	4	-	-	-----	QXE7,QXE7/A,QXE8,QXE8/A,QXF8,QXF8/A,QXW2,QXW2/A,QXW4 QXW4/A
25	95003-25003-20 (95003-25001-10M)	TUBE, VINYL, 9X11X30 .....	-	-	1	-	-	-----	QXE7,QXE7/A,QXE8,QXE8/A,QXF8,QXF8/A,QXW2,QXW2/A,QXW4 QXW4/A







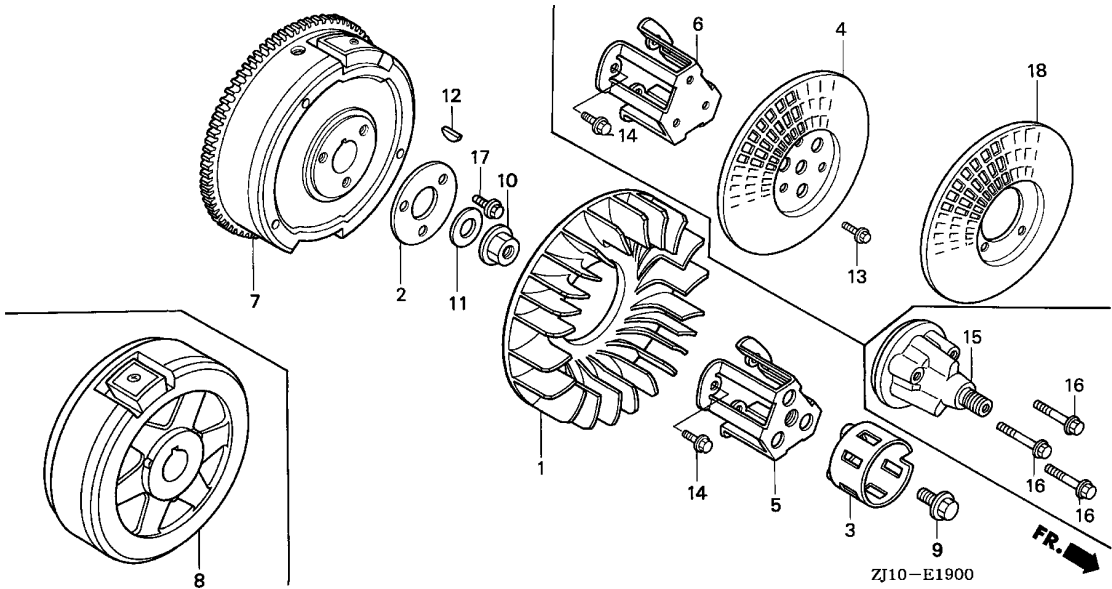
Ref. No.	L.O.N.	(Relative ref. Number) Description	F.R.T.
1	1141G7	FAN, ENGINE COOLING .....	0.5
3	1121A9	PULLEY, RECOIL STARTER .....	0.4
4	6201A5	GRID, SCREEN .....	0.4
5	1121B6	SPACER, STARTER PULLEY MOUNTING .....	0.5
6	6201A6	HOLDER, SCREEN GRID .....	0.5
7	2161B5	FLYWHEEL .....	0.7
15	2141H3	SHAFT, POWER TAKE OFF :FRONT ..	0.5

ZJ10-E1900

Ref. No.	Part No.	Description	Reqd. QTY					Serial No.	Parts catalogue code
			GX 620	GX 620	GX 620	GX 620	GX 620		
1	19511-ZJ1-000	FAN, COOLING .....	1	1	1	1	1		
2	19513-ZJ1-000	PLATE, COOLING FAN SETTING ..	1	-	1	-	-	QAB, QAB/A, QAB4, QAB6, QAB6/A, QAC6, QAF, QAF/A, QAF1, QAF1/A, QAF2, QAF2/A, QAF3, QAF4, QAF5, QAF5/A, QAF6, QAF6/A, QAF7, QAF7/A, QAF9, QAF9/A, QAP2, QDA1, QDE1, QDF, QDF/A, QDF4, QDF6, QDF6/A, QDP2, QDP2/A, QDW, QDW/A, QWA6, QWA6/A, QWF6, QWF6/A, QXA, QXA/A, QXA1, QXA3, QXA3/A, QXA4, QXA6, QXA6/A, QXB1, QXB1/A, QXC2, QXC2/A, QXC4, QXE1, QXE1/A, QXE3, QXE4, QXE4/A, QXE5, QXE5/A, QXE7, QXE7/A, QXF, QXF/A, QXF1, QXF3, QXF4, QXF4/A, QXF6, QXF6/A, QXW2, QXW2/A, QXW4, QXW4/A, QYA, QYA/A, QYA4, QYD, QYD/A, QYF, QYF/A, QYF4, QYF6, SAE1, SAE1/A, SAF1, SAF1/A, SYA, SYA/A, TXF2, TXF2/A, VAF, VAF/A, VAF4, VAF6, VAF6/A, VDB2, VDB2/A, VDC2, VDC2/A, VXA1, VXA1/A, VXA3, VXA4, VXA4/A, VXA5, VXA5/A, VXE1, VXE1/A, VXE2, VXE2/A, VXE8, VXE8/A, VXF, VXF/A, VXF4, VXF4/A, VXP2, VXP2/A, VZE7/A, VZE8/A	
3	28451-ZJ1-801	PULLEY, STARTER .....	-	(1)	-	1	1	VZE7, VZE8	
			1	-	1	-	-	QAX1, QAX1/A, QXE8, QXE8/A, QXF8, QXF8/A, QZB, QZB/A, QZB2, QZB2/A, QZB3, QZB3/A, QZD, QZD/A, QZE3, QZE3/A, QZE4, QZE4/A, QZF1, QZF1/A, QZF2, QZF2/A, QZF8, QZF8/A, QZX1, QZX1/A, QZX4, QZX4/A, QZX5, QZX5/A, QZZ, VEP4, VEP4/A, VXA6, VXA6/A, VXD4, VXD4/A, VXE4, VXE4/A, VXZ4, VXZ4/A, VYA1, VYA3, VYA3/A, VYE3, VYE3/A, VZA1, VZA3, VZD, VZE1, VZE5, VZF1, VZE7, VZE8	
			1	-	-	-	-	VZE1, VZE5, VZF1	
			-	(1)	-	-	-	VZE7, VZE8	

Ref. No.	Part No.	Description	Reqd. QTY					Serial No.	Parts catalogue code
			GX 620	GX 620	GX 620 K1	GX 620	GX 620 K1		
			(1)	(2)	(1)	(3)	(2)		
4	28452-ZJ1-811	GRID, SCREEN (P.T.O.)	1	-	1	-	-	-----	QAD2,QAD2/A,QYA,QYA/A,QYF,QYF/A,VAB2,VAB2/A QAB,QAB/A,QAB6/A,QAF,QAF/A,QAF1/A,QAF2/A,QAF5/A,QAF6/A QAF7/A,QAF8/A,QAF9,QAF9/A,QDA1,QDE1,QDF/A,QDF6/A,QDP2 QDP2/A,QDW/A,QWA6,QWA6/A,QWF6,QWF6/A,QXA,QXA/A,QXA3/A QXA6/A,QXB1/A,QXC2,QXC2/A,QXE1/A,QXE4,QXE4/A,QXE5,QXE5/A QXE7,QXE7/A,QXE8,QXE8/A,QXF,QXF/A,QXF4,QXF4/A,QXF6/A,QXF8 QXF8/A,QYA,QYA/A,QYA4,QYF,QYF/A,QYF4,QZB,QZB/A,QZB2,QZB2/A,QZB3,QZB3/A,QZD QZD/A,QZE3,QZE3/A,QZE4,QZE4/A,QZF1,QZF1/A,QZF2,QZF2/A,QZF8 QZF8/A,QZX4/A,QZX5,QZX5/A,SAE1/A,SAF1/A,SYA,SYA/A,TFX2/A VAB3,VAB3/A,VAF,VAF/A,VAF6/A,VDB2,VDB2/A,VDC2,VDC2/A,VEP4 VEP4/A,VXA1/A,VXA4,VXA4/A,VXA5,VXA5/A,VXA6,VXA6/A,VXD4 VXD4/A,VXE1/A,VXE2/A,VXE4/A,VXE8/A,VXF,VXF/A,VXF4,VXF4/A VXP2,VXP2/A,VXZ4/A,VYA3/A,VYE3,VYE3/A QAB4,QAB6,QAC6,QAF1,QAF2,QAF3,QAF4,QAF5,QAF6,QAF7,QAF8 QAP2,QDF,QDF4,QDF6,QDW,QXA1,QXA3,QXA4,QXA6,QXB1,QXC4,QXE1 QXE3,QXF1,QXF3,QXF6,QYF6,QZX4,QZZ,SAE1,SAF1,TFX2,VAF4,VAF6 VXA1,VXA3,VXE1,VXE2,VXE4,VXE8,VXZ4,VYA1,VYA3,VZA1,VZA3,VZD VZE1,VZE5,VZF1 VZE7,VZE8
			(1)	-	(1)	-	-	-----	
			(1)	-	-	-	-	-----	
			-	(1)	-	(1)	-	-----	
5	28453-ZJ1-801	SPACER, STARTER PULLEY MOUNTING	1	-	1	-	-	-----	QAX1,QAX1/A,QXE8,QXE8/A,QXF8,QXF8/A,QZB,QZB/A,QZB2,QZB2/A QZB3,QZB3/A,QZD,QZD/A,QZE3,QZE3/A,QZE4,QZE4/A,QZF1,QZF1/A QZF2,QZF2/A,QZF8,QZF8/A,QZX1,QZX1/A,QZX4,QZX4/A,QZX5 QZX5/A,QZZ,VEP4,VEP4/A,VXA6,VXA6/A,VXD4,VXD4/A,VXE4,VXE4/A VXZ4,VXZ4/A,VYA1,VYA3,VYA3/A,VYE3,VYE3/A,VZA1,VZA3,VZD VZE1,VZE5,VZF1 VZE7,VZE8
			1	-	-	-	-	-----	
			-	(1)	-	-	-	-----	
6	28454-ZJ1-801	HOLDER, SCREEN GRID	1	-	(1)	-	-	-----	QAB,QAB/A,QAB6/A,QAF,QAF/A,QAF1/A,QAF2/A,QAF5/A,QAF6/A QAF7/A,QAF8/A,QAF9,QAF9/A,QDA1,QDE1,QDF/A,QDF6/A,QDP2 QDP2/A,QDW/A,QWA6,QWA6/A,QWF6,QWF6/A,QXA,QXA/A,QXA3/A QXA6/A,QXB1/A,QXC2,QXC2/A,QXE1/A,QXE4,QXE4/A,QXE5,QXE5/A QXE7,QXE7/A,QXE8,QXE8/A,QXF,QXF/A,QXF4,QXF4/A,QXF6/A,QXF8 QXF8/A,QYA,QYA/A,QYA4,QYF,QYF/A,QYF4,QZB,QZB/A,QZB2,QZB2/A QZB3,QZB3/A,QZD,QZD/A,QZE3,QZE3/A,QZE4,QZE4/A,QZF1,QZF1/A QZF2,QZF2/A,QZF8,QZF8/A,QZX4/A,QZX5,QZX5/A,SAE1/A,SAF1/A SYA,SYA/A,TFX2/A,VAF,VAF/A,VAF6/A,VDB2,VDB2/A,VDC2,VDC2/A VEP4,VEP4/A,VXA1/A,VXA4,VXA4/A,VXA5,VXA5/A,VXA6,VXA6/A VXD4,VXD4/A,VXE1/A,VXE2/A,VXE4/A,VXE8/A,VXF,VXF/A,VXF4 VXF4/A,VXP2,VXP2/A,VXZ4/A,VYA3/A,VYE3,VYE3/A QAB4,QAB6,QAC6,QAF1,QAF2,QAF3,QAF4,QAF5,QAF6,QAF7,QAF8 QAP2,QDF,QDF4,QDF6,QDW,QXA1,QXA3,QXA4,QXA6,QXB1,QXC4,QXE1 QXE3,QXF1,QXF3,QXF6,QYF6,QZX4,QZZ,SAE1,SAF1,TFX2,VAF4,VAF6 VXA1,VXA3,VXE1,VXE2,VXE4,VXE8,VXZ4,VYA1,VYA3,VZA1,VZA3,VZD VZE1,VZE5,VZF1 VZE7,VZE8
			(1)	-	(1)	-	-	-----	
			(1)	-	-	-	-	-----	
			-	(1)	-	(1)	-	-----	
7	31110-ZJ1-800	FLYWHEEL COMP.	1	-	-	-	-	-----	QAD2,QAD2/A,VAB2,VAB2/A,VAB3,VAB3/A QAB,QAB4,QAB6,QAC6,QAF,QAF1,QAF2,QAF3,QAF4,QAF5,QAF6,QDF QDF4,QDF6,QDW,QXF1,QXF3,QXF6,QYF,QYF4,QYF6,SAF1,TFX2,VAF VAF4,VAF6,VZF1
			-	(1)	-	-	-	-----	1016223
			-	-	-	1	-	-----	1000003 QAFP,QAFU,VAFP,VAFU

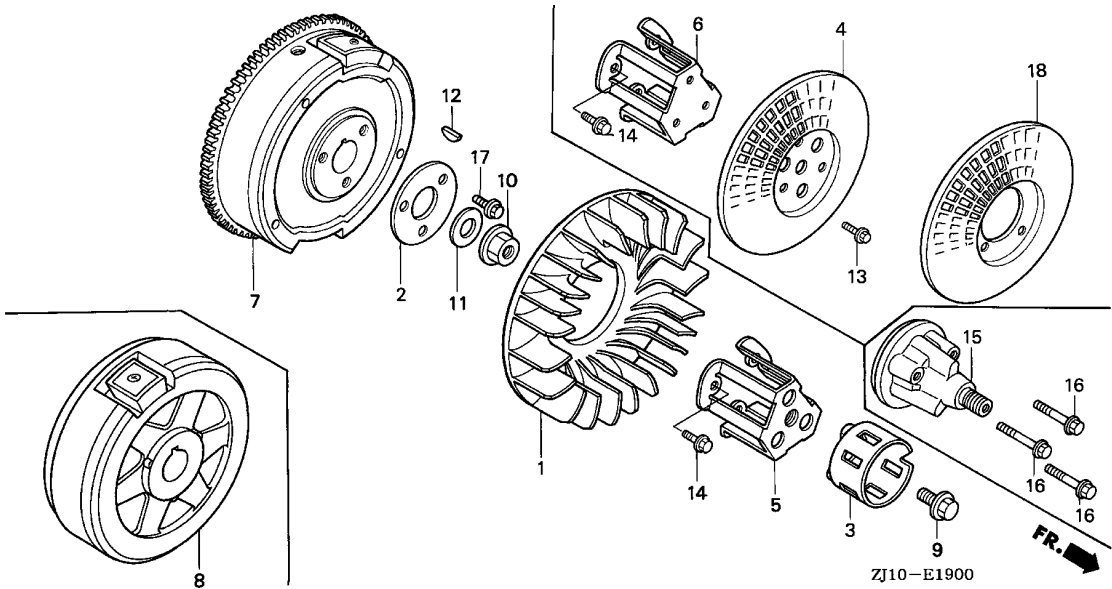




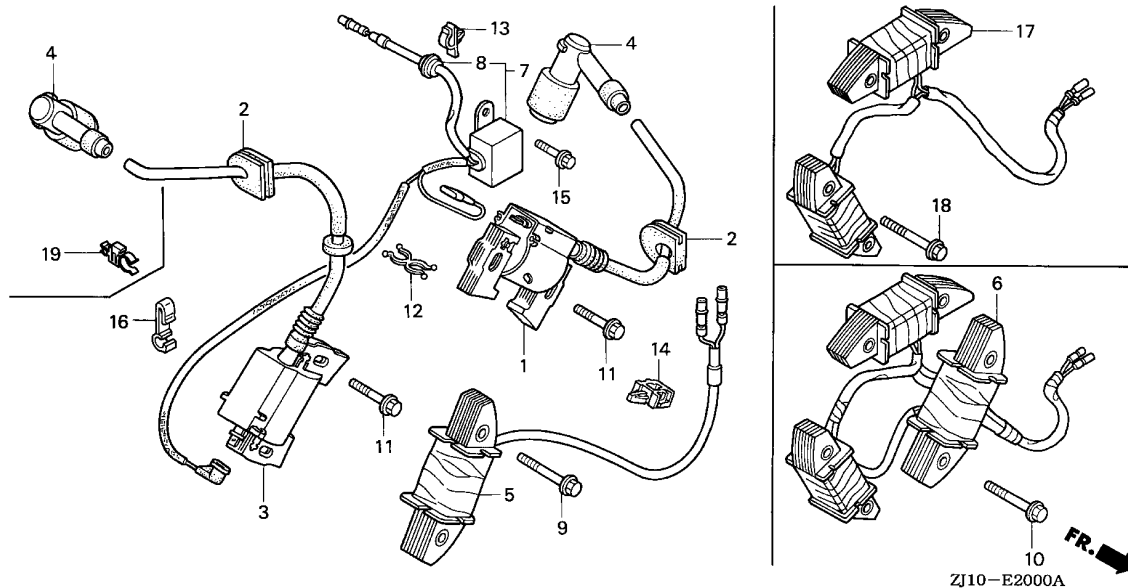
Ref. No.	Part No.	Description	Reqd. QTY					Serial No.	Parts catalogue code
			GX 620 (1)	GX 620 (2)	GX 620 K1 (1)	GX 620 (3)	GX 620 K1 (2)		
(7)	31110-ZJ1-810	FLYWHEEL COMP. ....	1	-	-	-	-	1016673 QDA1,QDE1,QXA,QXA1,QXA3,QXA4,QXA6,QXC4,QXE1,QXE3,QYA,QYA4,VXA1,VXA3,VXE1,VXE4,VZE1	
			-	(1)	-	-	-	1000003 QXAP,QXAU,VXAP,VXAU	
	31110-ZJ1-801	.....	1	-	-	1	-	1016224 QAF7,QAF8,QAP2,QXB1	
			1	-	-	-	-	1016224 QAB,QAB4,QAB6,QAC6,QAF,QAF1,QAF2,QAF3,QAF4,QAF5,QAF6,QDF,QDF4,QDF6,QDW,QXF1,QXF3,QXF6,QYF,QYF4,QYF6,SAF1,TFX2,VAF,VAF4,VAF6,VZF1	
			-	-	-	1	-	1000004 QAFP,QAFU,VAFP,VAFU	
	31110-ZJ1-811	.....	1	-	-	1	-	1016674 SAE1,VABP,VXE2,VXE8,VYA1,VYA3,VZA1,VZA3,VZD,VZE5,VZE7,VZE8	
			1	-	-	-	-	1016674 QDA1,QDE1,QXA,QXA1,QXA3,QXA4,QXA6,QXC4,QXE1,QXE3,QYA,QYA4,VXA1,VXA3,VXE1,VXE4,VZE1	
	31110-ZJ1-840	.....	-	-	1	-	-	1000004 QXAP,QXAU,VXAP,VXAU	
			-	-	-	-	-	1000004 QAB,QAB/A,QAB6,QAB6/A,QAD2,QAD2/A,QAF,QAF/A,QAF1,QAF1/A,QAF2,QAF2/A,QAF5,QAF5/A,QAF6,QAF6/A,QAF7,QAF7/A,QAF8,QAF8/A,QAF9,QAF9/A,QDF,QDF/A,QDF6,QDF6/A,QDP2,QDP2/A,QDW,QDW/A,QWF6,QWF6/A,QXB1,QXB1/A,QXE4,QXE4/A,QXE7,QXE7/A,QXF,QXF/A,QXF3,QXF4,QXF4/A,QXF6,QXF6/A,QXF8,QXF8/A,QXW2,QXW2/A,QXW4,QXW4/A,QYD,QYD/A,QYF,QYF/A,QZB,QZB/A,QZB2,QZB2/A,QZB3,QZB3/A,QZF1,QZF1/A,QZF2,QZF2/A,QZF8,QZF8/A,SAF1,SAF1/A,SYA,SYA/A,TFX2,TFX2/A,VAB2,VAB2/A,VAB3,VAB3/A,VAF,VAF/A,VAF6,VAF6/A,VDC2,VDC2/A,VXF,VXF/A,VXF4,VXF4/A	

Ref. No.	Part No.	Description	Reqd. QTY					Serial No.	Parts catalogue code
			GX 620	GX 620	GX 620 K1	GX 620	GX 620 K1		
			(1)	(2)	(1)	(3)	(2)		
(7)	31110-ZJ1-850	FLYWHEEL COMP. ....	-	-	1	-	-	QAX1, QAX1/A, QWA6, QWA6/A, QXA, QXA/A, QXA3, QXA3/A, QXA6, QXA6/A, QXC2, QXC2/A, QXE1, QXE1/A, QXE5, QXE5/A, QXE8, QXE8/A, QYA, QYA/A, QZD, QZD/A, QZE3, QZE3/A, QZE4, QZE4/A, QZX4, QZX4/A, SAE1, SAE1/A, VDB2, VDB2/A, VEP4, VEP4/A, VXA1, VXA1/A, VXA4, VXA4/A, VXA5, VXA5/A, VXA6, VXA6/A, VXD4, VXD4/A, VXE1, VXE1/A, VXE2, VXE2/A, VXE4, VXE4/A, VXE8, VXE8/A, VXP2, VXP2/A, VXZ4, VXZ4/A, VYA1, VYA3, VYA3/A, VYE3, VYE3/A, VZA1, VZE7, VZE7/A, VZE8, VZE8/A	
8	31110-ZJ4-000	FLYWHEEL COMP. ....	1	-	-	-	1	1018262 QZX4	
	31110-ZJ4-010	.....	1	-	-	-	-	QZZ, VXZ4	
	31110-ZJ1-860	.....	1	-	-	-	-	1018263 QZX4	
9	90013-ZJ1-800	BOLT, UBS, 12X28 .....	1	-	1	-	-	QZX1, QZX1/A, QZX5, QZX5/A	
								QAX1, QAX1/A, QXE8, QXE8/A, QXF8, QXF8/A, QZB, QZB/A, QZB2, QZB2/A, QZB3, QZB3/A, QZD, QZD/A, QZE3, QZE3/A, QZE4, QZE4/A, QZF1, QZF1/A, QZF2, QZF2/A, QZF8, QZF8/A, QZX1, QZX1/A, QZX4, QZX4/A, QZX5, QZX5/A, QZZ, VEP4, VEP4/A, VXA6, VXA6/A, VXD4, VXD4/A, VXE4, VXE4/A, VXZ4, VXZ4/A, VYA1, VYA3, VYA3/A, VYE3, VYE3/A, VZA1, VZA3, VZD, VZE1, VZE5, VZF1	
			1	-	-	-	-	VZE7, VZE8	
10	90201-ZG3-000	NUT, FLANGE, 20MM .....	1	(1)	-	-	-		
			1	1	1	1	1		
11	90401-ZG3-000	WASHER, 20MM .....	1	1	1	1	1		
12	90741-ZE2-000	KEY, SPECIAL WOODRUFF, 25X18	1	1	1	1	1		
13	95701-06012-00	BOLT, FLANGE, 6X12 .....	3	-	3	-	-	QYA, QYF	
			3	-	-	(3)	-	QAB, QAF, QDA1, QDE1, QDF, QXA, QXAP, QXAU, QYA4, QYF4, VAF	
			(3)	-	3	-	-	QAB4, QAC6, QAD2, QAD2/A, QAF3, QAF4, QDF4, QXA1, QXA4, QXC4, QYA/A, QYF/A, QYF6, VAB2, VAB2/A, VAB3, VAB3/A, VAF4, VZD, VZF1	
			(3)	-	-	-	-	QAB6, QAF5, QAF6, QDF6, QXA6, QXE1, QXF6, QZX4, VAF6, VXE1, VXE4, VZE7, VZE8	
14	95701-08016-00	BOLT, FLANGE, 8X16 .....	3	(3)	-	-	-	QAB4, QAC6, QAD2, QAD2/A, QAF3, QAF4, QAP2, QAX1, QAX1/A, QDA1, QDE1, QDF4, QXA1, QXA4, QXC4, QXE3, QXE8, QXE8/A, QXF1, QXF3, QXF8, QXF8/A, QYA4, QYF4, QYF6, QZB, QZB/A, QZB2, QZB2/A, QZB3, QZB3/A, QZD, QZD/A, QZE3, QZE3/A, QZE4, QZE4/A, QZF1, QZF1/A, QZF2, QZF2/A, QZF8, QZF8/A, QZX1, QZX1/A, QZX4, QZX4/A, QZX5, QZX5/A, QZZ, VAB2, VAB2/A, VAB3, VAB3/A, VAF/A, VAF4, VEP4, VEP4/A, VXA3, VXA6, VXA6/A, VXD4, VXD4/A, VXE4, VXE4/A, VXZ4, VXZ4/A, VYA1, VYA3, VYA3/A, VYE3, VYE3/A, VZA1, VZA3, VZD, VZE1, VZE5, VZF1	
			3	-	-	-	-	QAB, QAB6, QAF, QAF1, QAF2, QAF5, QAF6, QAF7, QAF8, QDF, QDF6, QDW, QXA, QXA3, QXA6, QXB1, QXE1, QXF6, QYA, QYF, SAE1, SAF1, TXF2, VAF6, VXA1, VXE1, VXE2, VXE8, VZE7, VZE8	
15	23311-ZJ1-H10	SHAFT, FR. P.T.O. ....	1	-	3	-	-	VAF	
			1	-	1	-	-	QAF8, QAF8/A	
16	90111-KT0-670	BOLT, FLANGE, 8X50 .....	3	-	3	-	-	QAF8, QAF8/A	





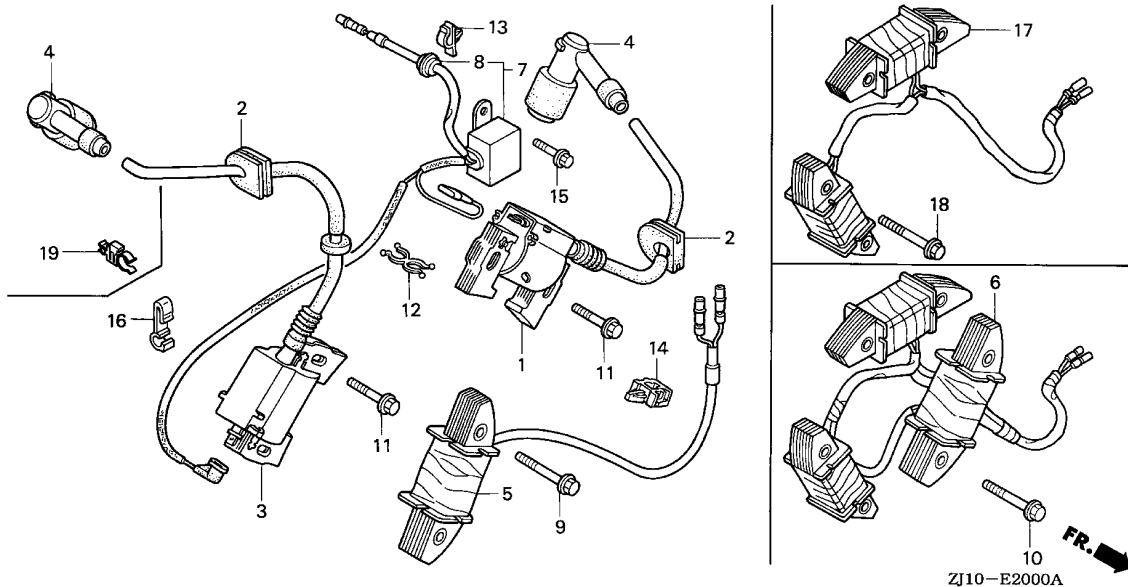
Ref. No.	Part No.	Description	Reqd. QTY					Serial No.	Parts catalogue code
			GX 620	GX 620	GX 620 K1	GX 620 (3)	GX 620 (2)		
17	95701-08016-00	BOLT, FLANGE, 8X16 .....	-	-	3	-	-	-----	QAB,QAB/A,QAB6,QAB6/A,QAF,QAF/A,QAF1,QAF1/A,QAF2,QAF2/A,QAF5,QAF5/A,QAF6,QAF6/A,QAF7,QAF7/A,QAF9,QAF9/A,QDF,QDF/A,QDF6,QDF6/A,QDP2,QDP2/A,QDW,QDW/A,QWA6,QWA6/A,QWF6,QWF6/A,QXA,QXA/A,QXA3,QXA3/A,QXA6,QXA6/A,QXB1,QXB1/A,QXC2,QXC2/A,QXE1,QXE1/A,QXE4,QXE4/A,QXE5,QXE5/A,QXE7,QXE7/A,QXF,QXF/A,QXF4,QXF4/A,QXF6,QXF6/A,QXW2,QXW2/A,QXW4,QXW4/A,QYA,QYA/A,QYD,QYD/A,QYF,QYF/A,SAE1,SAE1/A,SAF1,SAF1/A,SYA,SYA/A,TXF2,TXF2/A,VAF,VAF/A,VAF6,VAF6/A,VDB2,VDB2/A,VDC2,VDC2/A,VXA1,VXA1/A,VXA4,VXA4/A,VXA5,VXA5/A,VXE1,VXE1/A,VXE2,VXE2/A,VXE8,VXE8/A,VXF,VXF/A,VXF4,VXF4/A,VXP2,VXP2/A,VZE7,VZE7/A,VZE8,VZE8/A
18	28452-ZJ1-801	GRID, SCREEN .....	1	-	-	-	3	-----	QAB,QAF,QDA1,QDE1,QXA,QYA,QYA4,QYF,QYF4,VAF,QAF3,QXA1,VAB3,VAB3/A
			(1)	-	1	-	-	-----	QDF
			(1)	-	-	-	-	-----	
			-	(1)	-	-	-	-----	



Ref. No.	L.O.N.	(Relative ref. Number) Description	F.R.T.
1	6141A3	COIL, IGNITION :LEFT .....	0.5
3	6141A4	COIL, IGNITION :RIGHT .....	0.5
4	6141C3	TERMINAL, HIGH TENSION :LEFT ..	0.1
	6141C4	TERMINAL, HIGH TENSION :RIGHT ..	0.1
5		(6,17)	
	6131C3	COIL, CHARGE .....	0.8
7	614106	DIODE, ENGINE STOP .....	0.6

Ref. No.	Part No.	Description	Reqd. QTY					Serial No.	Parts catalogue code
			GX 620	GX 620	GX 620 K1	GX 620 (3)	GX 620 K1 (2)		
1	30500-ZJ1-003	COIL ASSY., IGNITION .....	1	-	-	-	-	1005099	QAB,QAF,QDA1,QDE1,QDF,QDW,QXA,QYA,QYF, VAF
	30500-ZJ1-013	.....	-	1	-	-	-	1005099	QAB4,QAB6,QAC6,QAF1,QAF2,QAF3,QAF4,QAF5,QAF6,QAF7,QAF8 QAP2,QDF4,QDF6,QXA1,QXA3,QXA4,QXA6,QXB1,QXC4,QXE1,QXE3 QXF1,QXF3,QXF6,QYA4,QYF4,QYF6,QZX4,QZZ,SAE1,SAF1,TFX2,VAF4 VAF6,VXA1,VXA3,VXE1,VXE2,VXE4,VXE8,VXZ4,VYA1,VYA3,VZA1 VZA3,VZD,VZE1,VZE5,VZE7,VZE8,VZF1
			1	-	-	-	-	1005100	QAB,QAF,QDA1,QDE1,QDF,QDW,QXA,QYA,QYF, VAF
			-	1	-	-	-	1005100	
	30500-ZJ1-841	.....	-	-	1	-	-	2051024	QAB,QAB6,QAF,QAF1,QAF2,QAF5,QAF6,QAF7,QAF8,QDF,QDF6,QDW QXA,QXA3,QXA6,QXB1,QXC2,QXE1,QXE4,QXE5,QXE7,QXE8,QXF,QXF3 QXF4,QXF6,QXF8,QXW2,QXW4,QYA,QYF,QZB,QZB2,QZB3,QZD,QZE3 QZE4,QZF1,QZF2,QZX4,SAE1,SAF1,TFX2,VAF,VAF6,VDB2,VXA1,VXA4 VXA5,VXA6,VXD4,VXE1,VXE2,VXE4,VXE8,VXF,VXF4,VXP2,VXZ4,VYA1 VYA3,VZA1,VZE7,VZE8
	30500-ZJ1-842	.....	-	-	1	-	-	2133228	QAD2,QAF9,QAX1,QDP2,QWA6,QWF6,QZF8,QZX1,QZX5,SYA,VAB2,VAB3 VDC2,VEP4,VYE3
			-	-	1	-	-	2051025	2133228 QAB,QAB6,QAF,QAF1,QAF2,QAF5,QAF6,QAF7,QAF8,QDF,QDF6,QDW QXA,QXA3,QXA6,QXB1,QXC2,QXE1,QXE4,QXE5,QXE7,QXE8,QXF,QXF3 QXF4,QXF6,QXF8,QXW2,QXW4,QYA,QYF,QZB,QZB2,QZB3,QZD,QZE3 QZE4,QZF1,QZF2,QZX4,SAE1,SAF1,TFX2,VAF,VAF6,VDB2,VXA1,VXA4 VXA5,VXA6,VXD4,VXE1,VXE2,VXE4,VXE8,VXF,VXF4,VXP2,VXZ4,VYA1 VYA3,VZA1,VZE7,VZE8
			-	-	-	-	1	1001520	VXC,VXC2



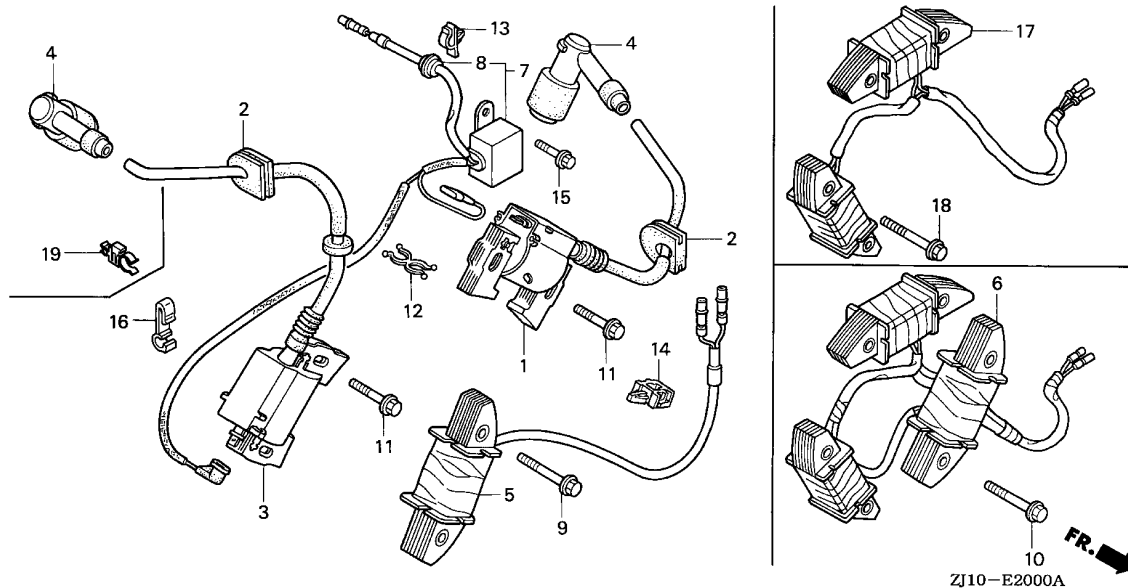


Ref. No.	Part No.	Description	Reqd. QTY					Serial No.	Parts catalogue code
			GX 620 (1)	GX 620 (2)	GX 620 K1 (1)	GX 620 (3)	GX 620 K1 (2)		
(1)	30500-ZJ1-843	COIL ASSY., IGNITION .....	-	-	1	-	-	2133229	----- QXF3,VYA1,VZA1
			-	-	1	-	-	2142840	----- QYD
			-	-	1	-	-	2133229	2142840 QAB,QAB6,QAD2,QAF,QAF1,QAF2,QAF5,QAF6,QAF7,QAF8,QAF9,QAX1 QDF,QDF6,QDP2,QDW,QWA6,QWF6,QXA,QXA3,QXA6,QXB1,QXC2,QXE1 QXE4,QXE5,QXE7,QXE8,QXF,QXF4,QXF6,QXF8,QXW2,QXW4,QYA,QYF QZB,QZB2,QZB3,QZD,QZE3,QZE4,QZF1,QZF2,QZF8,QZX1,QZX4,QZX5 SAE1,SAF1,SYA,TFX2,VAB2,VAB3,VAF,VAF6,VDB2,VDC2,VEP4,VXA1 VXA4,VXA5,VXA6,VXD4,VXE1,VXE2,VXE4,VXE8,VXF,VXF4,VXP2,VXZ4 VYA3,VYE3,VZE7,VZE8
			-	-	-	-	1	-----	VXC1
			-	-	-	-	1	1001521	----- VXC,VXC2
	30500-ZJ1-844	.....	-	-	1	-	1	-----	QAB/A,QAB6/A,QAD2/A,QAF/A,QAF1/A,QAF2/A,QAF5/A,QAF6/A QAF7/A,QAF8/A,QAF9/A,QAX1/A,QDF/A,QDF6/A,QDP2/A,QDW/A QWA6/A,QWF6/A,QXA/A,QXA3/A,QXA6/A,QXB1/A,QXC2/A,QXE1/A QXE4/A,QXE5/A,QXE7/A,QXE8/A,QXF/A,QXF4/A,QXF6/A,QXF8/A QXW2/A,QXW4/A,QYA/A,QYD/A,QYF/A,QZB/A,QZB2/A,QZB3/A,QZD/A QZE3/A,QZE4/A,QZF1/A,QZF2/A,QZF8/A,QZX1/A,QZX4/A,QZX5/A SAE1/A,SAF1/A,SYA/A,TFX2/A,VAB2/A,VAB3/A,VAF/A,VAF6/A VDB2/A,VDC2/A,VEP4/A,VXA1/A,VXA4/A,VXA5/A,VXA6/A,VXC/A VXC1/A,VXC2/A,VXD4/A,VXE1/A,VXE2/A,VXE4/A,VXE8/A,VXF/A VXF4/A,VXP2/A,VXZ4/A,VYA3/A,VYE3/A,VZE7/A,VZE8/A
			-	-	1	-	-	2142841	----- QAB,QAB6,QAD2,QAF,QAF1,QAF2,QAF5,QAF6,QAF7,QAF8,QAF9,QAX1 QDF,QDF6,QDP2,QDW,QWA6,QWF6,QXA,QXA3,QXA6,QXB1,QXC2,QXE1 QXE4,QXE5,QXE7,QXE8,QXF,QXF4,QXF6,QXF8,QXW2,QXW4,QYA,QYD QYF,QZB,QZB2,QZB3,QZD,QZE3,QZE4,QZF1,QZF2,QZF8,QZX1,QZX4 QZX5,SAE1,SAF1,SYA,TFX2,VAB2,VAB3,VAF,VAF6,VDB2,VDC2,VEP4 VXA1,VXA4,VXA5,VXA6,VXD4,VXE1,VXE2,VXE4,VXE8,VXF,VXF4,VXP2 VXZ4,VYA3,VYE3,VZE7,VZE8

Ref. No.	Part No.	Description	Reqd. QTY					Serial No.	Parts catalogue code
			GX 620	GX 620	GX 620 K1	GX 620	GX 620 K1		
			(1)	(2)	(1)	(3)	(2)		
2	30518-ZJ1-000	GROMMET, HIGH TENSION CORD ..	2	2	-	2	2		
3	30550-ZJ1-003	COIL ASSY., IGNITION .....	1	-	-	-	-	1005099 QAB, QAF, QDA1, QDE1, QDF, QDW, QXA, QYA, QYF, VAF	
	30550-ZJ1-013	.....	1	-	-	-	-	1005099 QAB4, QAB6, QAC6, QAF1, QAF2, QAF3, QAF4, QAF5, QAF6, QAF7, QAF8 QAP2, QDF4, QDF6, QXA1, QXA3, QXA4, QXA6, QXB1, QXC4, QXE1, QXE3 QXF1, QXF3, QXF6, QYA4, QYF4, QYF6, QZX4, QZZ, SAE1, SAF1, TXF2, VAF4 VAF6, VXA1, VXA3, VXE1, VXE2, VXE4, VXE8, VXZ4, VYA1, VYA3, VZA1 VZA3, VZD, VZE1, VZE5, VZE7, VZE8, VZF1	
			1	-	-	-	-	1005100 QAB, QAF, QDA1, QDE1, QDF, QDW, QXA, QYA, QYF, VAF	
			-	1	-	-	-	1005100	
	30550-ZJ1-841	.....	-	-	1	-	-	2051332 QAB, QAB6, QAF, QAF1, QAF2, QAF5, QAF6, QAF7, QAF8, QDF, QDF6, QDW QXA, QXA3, QXA6, QXB1, QXC2, QXE1, QXE4, QXE5, QXE7, QXE8, QXF, QXF3 QXF4, QXF6, QXF8, QXW2, QXW4, QYA, QYF, QZB, QZB2, QZB3, QZD, QZE3 QZE4, QZF1, QZF2, QZX4, SAE1, SAF1, TXF2, VAF, VAF6, VDB2, VXA1, VXA4 VXA5, VXA6, VXD4, VXE1, VXE2, VXE4, VXE8, VXF, VXF4, VXP2, VXZ4, VYA1 VYA3, VZA1, VZE7, VZE8	
	30550-ZJ1-842	.....	-	-	1	-	-	2133228 QAD2, QAF9, QAX1, QDP2, QWA6, QWF6, QZF8, QZX1, QZX5, SYA, VAB2, VAB3 VDC2, VEP4, VYE3	
			-	-	1	-	-	2051333 2133228 QAB, QAB6, QAF, QAF1, QAF2, QAF5, QAF6, QAF7, QAF8, QDF, QDF6, QDW QXA, QXA3, QXA6, QXB1, QXC2, QXE1, QXE4, QXE5, QXE7, QXE8, QXF, QXF3 QXF4, QXF6, QXF8, QXW2, QXW4, QYA, QYF, QZB, QZB2, QZB3, QZD, QZE3 QZE4, QZF1, QZF2, QZX4, SAE1, SAF1, TXF2, VAF, VAF6, VDB2, VXA1, VXA4 VXA5, VXA6, VXD4, VXE1, VXE2, VXE4, VXE8, VXF, VXF4, VXP2, VXZ4, VYA1 VYA3, VZA1, VZE7, VZE8	
	30550-ZJ1-843	.....	-	-	-	-	1	1001520 VXC, VXC2	
			-	-	1	-	-	2133229 QXF3, VYA1, VZA1	
			-	-	1	-	-	2142840 QYD	
			-	-	1	-	-	2133229 2142840 QAB, QAB6, QAD2, QAF, QAF1, QAF2, QAF5, QAF6, QAF7, QAF8, QAF9, QAX1 QDF, QDF6, QDP2, QDW, QWA6, QWF6, QXA, QXA3, QXA6, QXB1, QXC2, QXE1 QXE4, QXE5, QXE7, QXE8, QXF, QXF4, QXF6, QXF8, QXW2, QXW4, QYA, QYF QZB, QZB2, QZB3, QZD, QZE3, QZE4, QZF1, QZF2, QZF8, QZX1, QZX4, QZX5 SAE1, SAF1, SYA, TXF2, VAB2, VAB3, VAF, VAF6, VDB2, VDC2, VEP4, VXA1 VXA4, VXA5, VXA6, VXD4, VXE1, VXE2, VXE4, VXE8, VXF, VXF4, VXP2, VXZ4 VYA3, VYE3, VZE7, VZE8	
			-	-	-	-	1	VXC1	
			-	-	-	-	1	1001521 VXC, VXC2	
	30550-ZJ1-844	.....	-	-	1	-	1	QAB/A, QAB6/A, QAD2/A, QAF/A, QAF1/A, QAF2/A, QAF5/A, QAF6/A QAF7/A, QAF8/A, QAF9/A, QAX1/A, QDF/A, QDF6/A, QDP2/A, QDW/A QWA6/A, QWF6/A, QXA/A, QXA3/A, QXA6/A, QXB1/A, QXC2/A, QXE1/A QXE4/A, QXE5/A, QXE7/A, QXE8/A, QXF/A, QXF4/A, QXF6/A, QXF8/A QXW2/A, QXW4/A, QYA/A, QYD/A, QYF/A, QZB/A, QZB2/A, QZB3/A, QZD/A QZE3/A, QZE4/A, QZF1/A, QZF2/A, QZF8/A, QZX1/A, QZX4/A, QZX5/A SAE1/A, SAF1/A, SYA/A, TXF2/A, VAB2/A, VAB3/A, VAF/A, VAF6/A VDB2/A, VDC2/A, VEP4/A, VXA1/A, VXA4/A, VXA5/A, VXA6/A, VXC/A VXC1/A, VXC2/A, VXD4/A, VXE1/A, VXE2/A, VXE4/A, VXE8/A, VXF/A VXF4/A, VXP2/A, VXZ4/A, VYA3/A, VYE3/A, VZE7/A, VZE8/A	
			-	-	1	-	-	2142841 QAB, QAB6, QAD2, QAF, QAF1, QAF2, QAF5, QAF6, QAF7, QAF8, QAF9, QAX1 QDF, QDF6, QDP2, QDW, QWA6, QWF6, QXA, QXA3, QXA6, QXB1, QXC2, QXE1 QXE4, QXE5, QXE7, QXE8, QXF, QXF4, QXF6, QXF8, QXW2, QXW4, QYA, QYD QYF, QZB, QZB2, QZB3, QZD, QZE3, QZE4, QZF1, QZF2, QZF8, QZX1, QZX4 QZX5, SAE1, SAF1, SYA, TXF2, VAB2, VAB3, VAF, VAF6, VDB2, VDC2, VEP4 VXA1, VXA4, VXA5, VXA6, VXD4, VXE1, VXE2, VXE4, VXE8, VXF, VXF4, VXP2 VXZ4, VYA3, VYE3, VZE7, VZE8	
4	30700-ZJ1-003	CAP ASSY., NOISE SUPPRESSOR -	2	2	-	2	-		
	30700-ZJ1-841	.....	-	-	2	-	2		



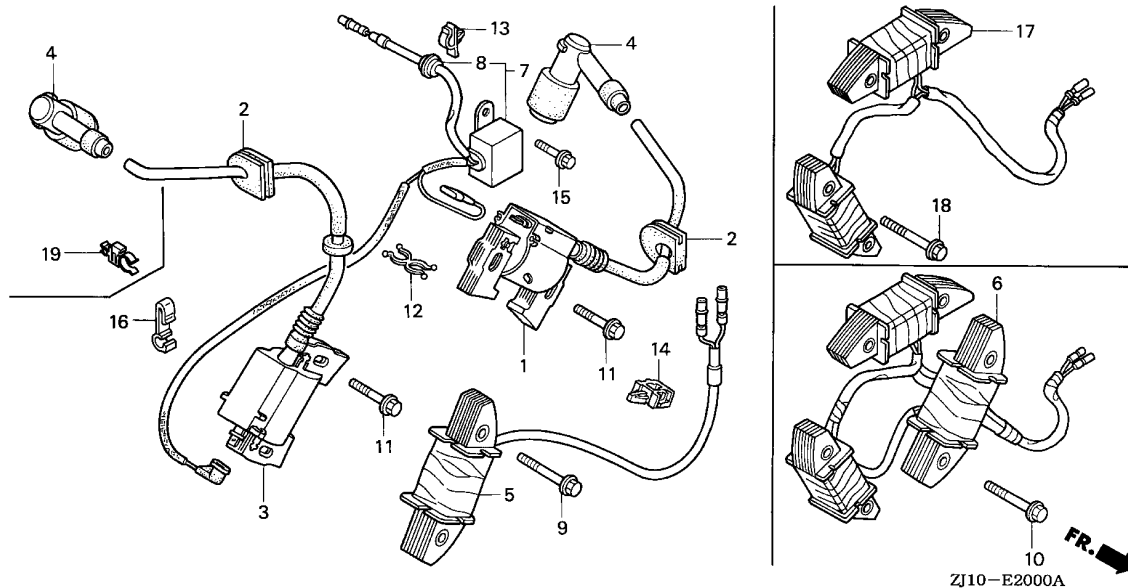




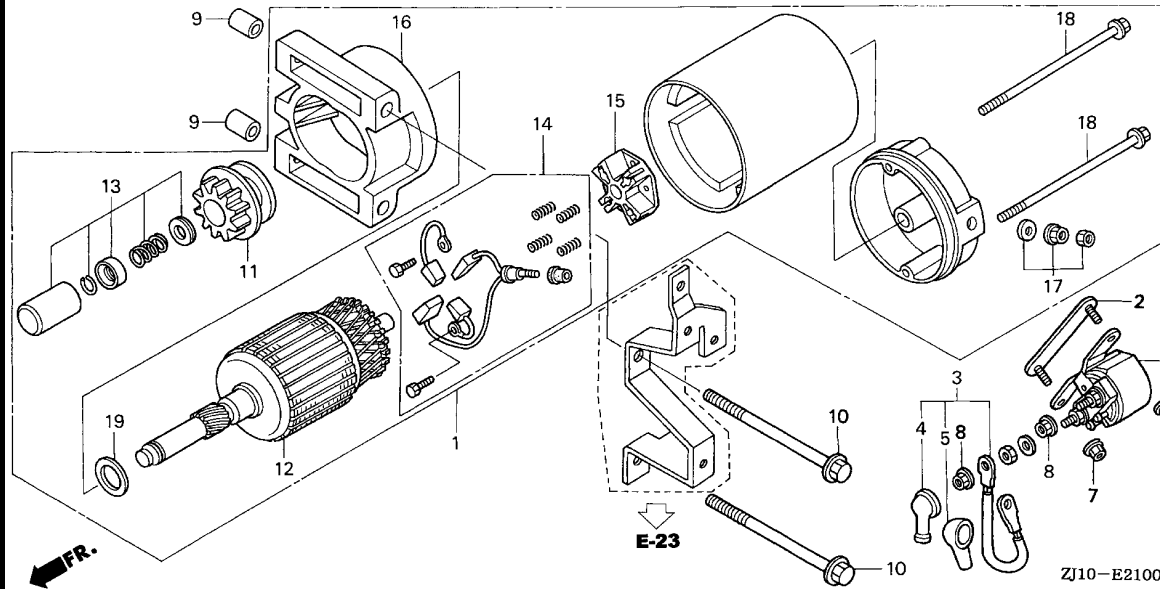
Ref. No.	Part No.	Description	Reqd. QTY					Serial No.	Parts catalogue code
			GX 620 (1)	GX 620 (2)	GX 620 K1 (1)	GX 620 (3)	GX 620 K1 (2)		
5	31630-ZJ1-003	COIL ASSY., CHARGE (12V/3A)	1	-	1	1	-	QAX1, QAX1/A, QDA1, QDE1, QWA6, QWA6/A, QXA, QXA/A, QXAP, QXAU, QXA1 QXA3, QXA3/A, QXA4, QXA6, QXA6/A, QXC2, QXC2/A, QXC4, QXE1, QXE1/A QXE3, QXE5, QXE5/A, QXE8, QXE8/A, QYA, QYA/A, QYA4, QZD, QZD/A, QZE3 QZE3/A, QZE4, QZE4/A, SAE1, SAE1/A, VABP, VDB2, VDB2/A, VEP4 VEP4/A, VXAP, VXAU, VXA1, VXA1/A, VXA3, VXA4, VXA4/A, VXA5, VXA5/A VXA6, VXA6/A, VXD4, VXD4/A, VXE1, VXE1/A, VXE2, VXE2/A, VXE4 VXE4/A, VXE8, VXE8/A, VXP2, VXP2/A, VYA1, VYA3, VYA3/A, VYE3 VYE3/A, VZA1, VZA3, VZD, VZE1, VZE5, VZE7, VZE7/A, VZE8, VZE8/A	
	30595-ZJ1-801	COIL ASSY., POWER	-	(1)	-	-	1	QZX5, QZX5/A	
6	31630-ZJ1-801	COIL ASSY., CHARGE (12V/20A)	1	-	1	1	-	QAB, QAB/A, QAB4, QAB6, QAB6/A, QAC6, QAD2, QAD2/A, QAF, QAF/A, QAFP QAFU, QAF1, QAF1/A, QAF2, QAF2/A, QAF3, QAF4, QAF5, QAF5/A, QAF6 QAF6/A, QAF7, QAF7/A, QAF8, QAF8/A, QAF9, QAF9/A, QAP2, QDF, QDF/A QDF4, QDF6, QDF6/A, QDP2, QDP2/A, QDW, QDW/A, QWF6, QWF6/A, QXB1 QXB1/A, QXE4, QXE4/A, QXE7, QXE7/A, QXF, QXF/A, QXF1, QXF3, QXF4 QXF4/A, QXF6, QXF6/A, QXF8, QXF8/A, QXW2, QXW2/A, QXW4, QXW4/A, QYD QYD/A, QYF, QYF/A, QYF4, QYF6, QZB, QZB/A, QZB2, QZB2/A, QZB3 QZB3/A, QZF1, QZF1/A, QZF2, QZF2/A, QZF8, QZF8/A, SAF1, SAF1/A, SYA SYA/A, TXF2, TXF2/A, VAB2, VAB2/A, VAB3, VAB3/A, VAF, VAF/A, VAFP VAFU, VAF4, VAF6, VAF6/A, VDC2, VDC2/A, VXF, VXF/A, VXF4, VXF4/A VZF1	
7	31740-ZJ1-003 31740-ZJ1-841	DIODE ASSY., ENGINE STOP	1	1	-	1	-	2040640 QAB, QAB6, QAF, QAF1, QAF2, QAF5, QAF6, QAF7, QAF8, QDF, QDF6, QDW QXA, QXA3, QXA6, QXC2, QXE1, QXE4, QXE5, QXE8, QXF, QXF6, QXF8, QYA QYF, QZB, QZB2, QZB3, QZD, QZE3, QZE4, QZF1, QZF2, SAE1, SAF1, TXF2 VAF, VAF6, VXA1, VXA5, VXE1, VXE2, VXF	

Ref. No.	Part No.	Description	Reqd. QTY					Serial No.	Parts catalogue code
			GX 620	GX 620	GX 620 K1	GX 620	GX 620 K1		
			(1)	(2)	(1)	(3)	(2)		
(7)	31740-ZJ1-851	DIODE ASSY., ENGINE STOP	-	-	1	-	-	QXB1, QXB1/A, QXE7, QXE7/A, QXF3, QXF4, QXF4/A, QXW2, QXW2/A, QXW4, QXW4/A, QZX4, QZX4/A, QZX5, QZX5/A, VDB2, VDB2/A, VXA4, VXA4/A, VXA6, VXA6/A, VXD4, VXD4/A, VXE4, VXE4/A, VXE8, VXE8/A, VXF4, VXF4/A, VXP2, VXP2/A, VXZ4, VXZ4/A, VYA1, VYA3, VYA3/A, VYE3, VYE3/A, VZA1, VZE7, VZE7/A, VZE8, VZE8/A	
	31740-ZJ1-861		-	-	1	-	-	QAB/A, QAB6/A, QAD2, QAD2/A, QAF/A, QAF1/A, QAF2/A, QAF5/A, QAF6/A, QAF7/A, QAF8/A, QAF9, QAF9/A, QAX1, QAX1/A, QDF/A, QDF6/A, QDP2, QDP2/A, QDW/A, QWA6, QWA6/A, QWF6, QWF6/A, QXA/A, QXA3/A, QXA6/A, QXC2/A, QXE1/A, QXE4/A, QXE5/A, QXE8/A, QXF/A, QXF6/A, QXF8/A, QYA/A, QYD, QYD/A, QYF/A, QZB/A, QZB2/A, QZB3/A, QZD/A, QZE3/A, QZE4/A, QZF1/A, QZF2/A, QZF8, QZF8/A, QZX1, QZX1/A, SAE1/A, SAF1/A, SYA, SYA/A, TXF2/A, VAB2, VAB2/A, VAB3, VAB3/A, VAF/A, VAF6/A, VDC2, VDC2/A, VEP4, VEP4/A, VXA1/A, VXA5/A, VXE1/A, VXE2/A, VXF/A, QAB, QAB6, QAF, QAF1, QAF2, QAF5, QAF6, QAF7, QAF8, QDF, QDF6, QDW, QXA, QXA3, QXA6, QXC2, QXE1, QXE4, QXE5, QXE8, QXF, QXF6, QXF8, QYA, QYF, QZB, QZB2, QZB3, QZD, QZE3, QZE4, QZF1, QZF2, SAE1, SAF1, TXF2, VAF, VAF6, VXA1, VXA5, VXE1, VXE2, VXF	
	31740-ZJ1-871		-	-	-	-	1	VXC1, VXC1/A, VXC2, VXC2/A	
	31740-ZJ1-881		-	-	-	-	1	VXC, VXC/A	
8	63312-ZA7-000	GROMMET, TOOL	1	1	1	1	1		
9	90014-ZE6-000	BOLT, FLANGE, 6X35	2	-	2	2	-	QAX1, QAX1/A, QDA1, QDE1, QWA6, QWA6/A, QXA, QXA/A, QXAP, QXAU, QXA1, QXA3, QXA3/A, QXA4, QXA6, QXA6/A, QXC2, QXC2/A, QXC4, QXE1, QXE1/A, QXE3, QXE5, QXE5/A, QXE8, QXE8/A, QYA, QYA/A, QYA4, QZD, QZD/A, QZE3, QZE3/A, QZE4, QZE4/A, SAE1, SAE1/A, VABP, VDB2, VDB2/A, VEP4, VEP4/A, VXAP, VXAU, VXA1, VXA1/A, VXA3, VXA4, VXA4/A, VXA5, VXA5/A, VXA6, VXA6/A, VXD4, VXD4/A, VXE1, VXE1/A, VXE2, VXE2/A, VXE4, VXE4/A, VXE8, VXE8/A, VXP2, VXP2/A, VYA1, VYA3, VYA3/A, VYE3, VYE3/A, VZA1, VZA3, VZD, VZE1, VZE5, VZE7, VZE7/A, VZE8, VZE8/A	
	90031-ZE1-000	BOLT, FLANGE, 6X32	-	(2)	-	-	2	QZX5, QZX5/A	
10	90031-ZE1-000	BOLT, FLANGE, 6X32	6	-	6	6	-	QAB, QAB/A, QAB4, QAB6, QAB6/A, QAC6, QAD2, QAD2/A, QAF, QAF/A, QAFP, QAFU, QAF1, QAF1/A, QAF2, QAF2/A, QAF3, QAF4, QAF5, QAF5/A, QAF6, QAF6/A, QAF7, QAF7/A, QAF8, QAF8/A, QAF9, QAF9/A, QAP2, QDF, QDF/A, QDF4, QDF6, QDF6/A, QDP2, QDP2/A, QDW, QDW/A, QWF6, QWF6/A, QXB1, QXB1/A, QXE4, QXE4/A, QXE7, QXE7/A, QXF, QXF/A, QXF1, QXF3, QXF4, QXF4/A, QXF6, QXF6/A, QXF8, QXF8/A, QXW2, QXW2/A, QXW4, QXW4/A, QYD, QYD/A, QYF, QYF/A, QYF4, QYF6, QZB, QZB/A, QZB2, QZB2/A, QZB3, QZB3/A, QZF1, QZF1/A, QZF2, QZF2/A, QZF8, QZF8/A, SAF1, SAF1/A, SYA, SYA/A, TXF2, TXF2/A, VAB2, VAB2/A, VAB3, VAB3/A, VAF, VAF/A, VAFP, VAFU, VAF4, VAF6, VAF6/A, VDC2, VDC2/A, VXF, VXF/A, VXF4, VXF4/A, VZF1	
			-	(6)	-	-	-		
11	90121-952-000	BOLT, FLANGE, 6X25(CT200)	2	2	-	2	-		
	90031-ZE1-000	BOLT, FLANGE, 6X32	-	-	2	-	2		
12	90658-SAO-003	CLIP, WIRE HARNESS	1	1	-	-	-		
13	90673-GJ5-003	CLIP, CORD	1	-	-	1	-	QAF1, QAF3, QDA1, QDE1, QXA, QXAP, QXAU, QXA1, QXA3, QXA4, QXA6, QXC4, QXE1, QXE3, QXF6, QYA, QYA4, TXF2, VXA1, VXE1, VXE2, VXE4, VZD	
	32171-GJ1-003	CLIP, WIRE HARNESS	-	(1)	-	-	-	QAX1, QAX1/A, QWA6, QWA6/A, QWF6, QWF6/A, QXA, QXA/A, QXA3, QXA3/A, QXA6, QXA6/A, QXE4, QXE4/A, QXE5, QXE5/A, QXE8, QXE8/A, QXF, QXF/A, QXF6, QXF6/A, QXF8, QXF8/A, QYA, QYA/A, QZB, QZB/A, QZD, QZD/A, QZE3, QZE3/A, QZE4, QZE4/A, QZF2, QZF2/A, QZF8, QZF8/A, VXE1, VXE1/A, VXF, VXF/A	





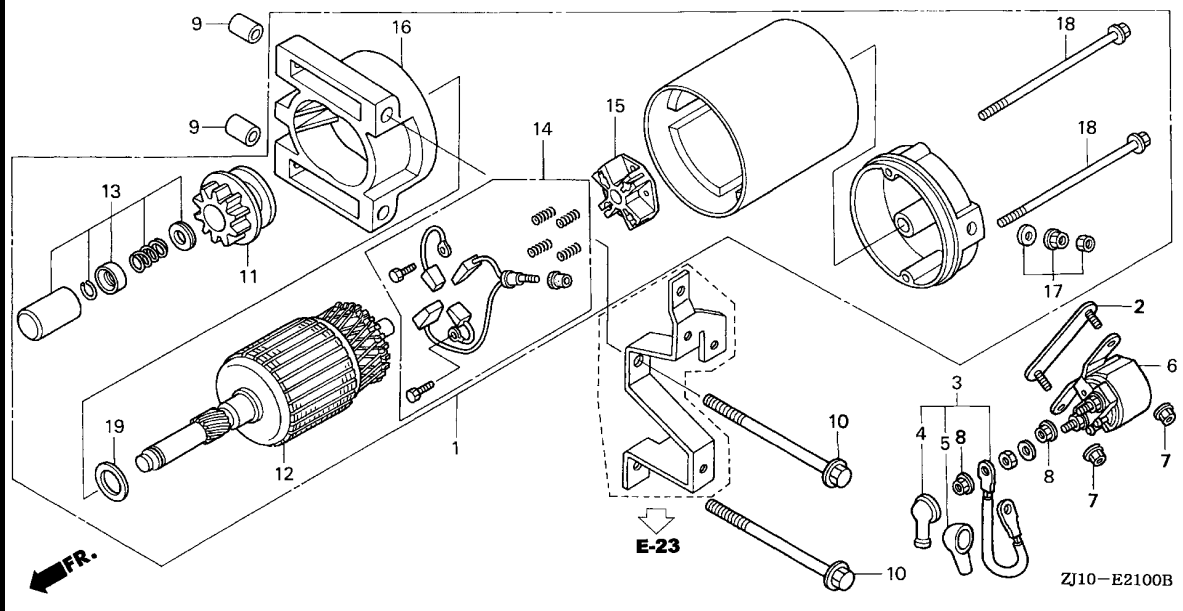
Ref. No.	Part No.	Description	Reqd. QTY					Serial No.	Parts catalogue code
			GX 620 (1)	GX 620 (2)	GX 620 K1 (1)	GX 620 (3)	GX 620 K1 (2)		
14	91504-750-003	CLIP, WIRE HARNESS	1	-	-	1	-	QAF1, QAF3, QAF6, QDA1, QDE1, QXAP, QXAU, QXA1, QXA3, QXA4, QXA6, QXC4, QXF6, QYA4, SAE1, TXF2, VXA1, VXE1, VXE2, VXE4, VYA1, VYA3, VZA1, VZA3, VZD	
15	95701-06008-00	BOLT, FLANGE, 6X8	-	(1)	-	-	-		
16	32763-PA0-000	CLAMP, CORD	-	-	1	-	-	QAB, QAB/A, QAB6, QAB6/A, QAD2, QAD2/A, QAF, QAF/A, QAF1, QAF1/A, QAF2, QAF2/A, QAF5, QAF5/A, QAF6, QAF6/A, QAF7, QAF7/A, QAF8, QAF8/A, QAF9, QAF9/A, QAX1, QAX1/A, QDF, QDF/A, QDF6, QDF6/A, QDP2, QDP2/A, QDW, QDW/A, QWA6, QWA6/A, QWF6, QWF6/A, QXA, QXA/A, QXA3, QXA3/A, QXA6, QXA6/A, QXB1, QXB1/A, QXC2, QXC2/A, QXE1, QXE1/A, QXE4, QXE4/A, QXE5, QXE5/A, QXE7, QXE7/A, QXE8, QXE8/A, QXF, QXF/A, QXF3, QXF4, QXF4/A, QXF6, QXF6/A, QXF8, QXF8/A, QXW2, QXW2/A, QXW4, QXW4/A, QYA, QYA/A, QYD, QYD/A, QYF, QYF/A, QZB, QZB/A, QZB2, QZB2/A, QZB3, QZB3/A, QZD, QZD/A, QZE3, QZE3/A, QZE4, QZE4/A, QZF1, QZF1/A, QZF2, QZF2/A, QZF8, QZF8/A, QZX1, QZX1/A, QZX4, QZX4/A, QZX5, QZX5/A, SAE1, SAE1/A, SAF1, SAF1/A, TXF2, TXF2/A, VAB2, VAB2/A, VAB3, VAB3/A, VAF, VAF/A, VAF6, VAF6/A, VDB2, VDB2/A, VDC2, VDC2/A, VEP4, VEP4/A, VXA1, VXA1/A, VXA4, VXA4/A, VXA5, VXA5/A, VXA6, VXA6/A, VXD4, VXD4/A, VXE1, VXE1/A, VXE2, VXE2/A, VXE4, VXE4/A, VXE8, VXE8/A, VXF, VXF/A, VXF4, VXF4/A, VXP2, VXP2/A, VXZ4, VXZ4/A, VYA1, VYA3, VYA3/A, VYE3, VYE3/A, VZA1, VZE7, VZE7/A, VZE8, VZE8/A, VZD	
17	31630-ZJ1-S71	COIL ASSY., CHARGE (24V/3A)	1	-	-	-	-	VZD	
18	90014-ZE6-000	BOLT, FLANGE, 6X35	4	-	-	-	-	VZD	
19	91403-ZJ1-851	CLIP, HARNESS	-	-	1	-	-	SYA, SYA/A	



Ref. No.	L.O.N.	(Relative ref. Number) Description	F.R.T.
1	6121D5	MOTOR, STARTER .....	0.3
3	6121D6	CORD, MAGNET SWITCH .....	0.2
6	6121C9	SWITCH, STARTER MAGNETIC .....	0.2
11	6121B2	GEAR SET, STARTER PINION .....	0.4
12	6121A0	ARMATURE, STARTER .....	0.5
14	6121A8	BRUSH SET, STARTER .....	0.5

Ref. No.	Part No.	Description	Reqd. QTY					Serial No.	Parts catalogue code
			GX 620 (1)	GX 620 (2)	GX 620 K1 (1)	GX 620 (3)	GX 620 K1 (2)		
1	31200-ZJ1-004	MOTOR ASSY., STARTER .....	1	-	-	-	-	QAB, QAB4, QAB6, QAC6, QAF, QAF1, QAF2, QAF3, QAF4, QAF5, QAF6, QAF7, QAF8, QAP2, QDA1, QDE1, QDF, QDF4, QDF6, QDW, QXA, QXA1, QXA3, QXA4, QXA6, QXB1, QXC4, QXE1, QXE3, QXF1, QXF3, QXF6, QYA, QYA4, QYF, QYF4, QYF6, SAE1, SAF1, TXF2, VAF, VAF4, VAF6, VXA1, VXA3, VXE1, VXE2, VXE4, VXE8, VYA1, VYA3, VZA1, VZA3, VZD, VZE1, VZE5, VZE7, VZE8, VZF1	
2	31243-ZJ1-800	BRACKET, STARTER MAGNETIC SETTING	-	1	-	1	-	QAF1, QAF2, QAF3, QAF5, QAF6, QAF8, QAP2, QDA1, QDE1, QXA, QXAP, QXAU, QXA1, QXA3, QXA4, QXA6, QXB1, QXC4, QXE1, QXE3, QXF1, QXF3, QXF6, QYA, QYA4, SAE1, SAF1, TXF2, VABP, VXAP, VXAU, VXA1, VXA3, VXE1, VXE2, VXE4, VYA1, VYA3, VZA1, VZA3, VZD, VZE1, VZE5, VZE7, VZE8, VZF1, VXE8	
3	32402-ZJ1-810	CORD, MAGNET SWITCH .....	1	-	-	-	1028590	VXE8	
4	32411-KB9-930	COVER A, MAGNETIC SWITCH ....	1	-	-	-	1028590	VXE8	
			1	-	-	-	1028590	VXE8	

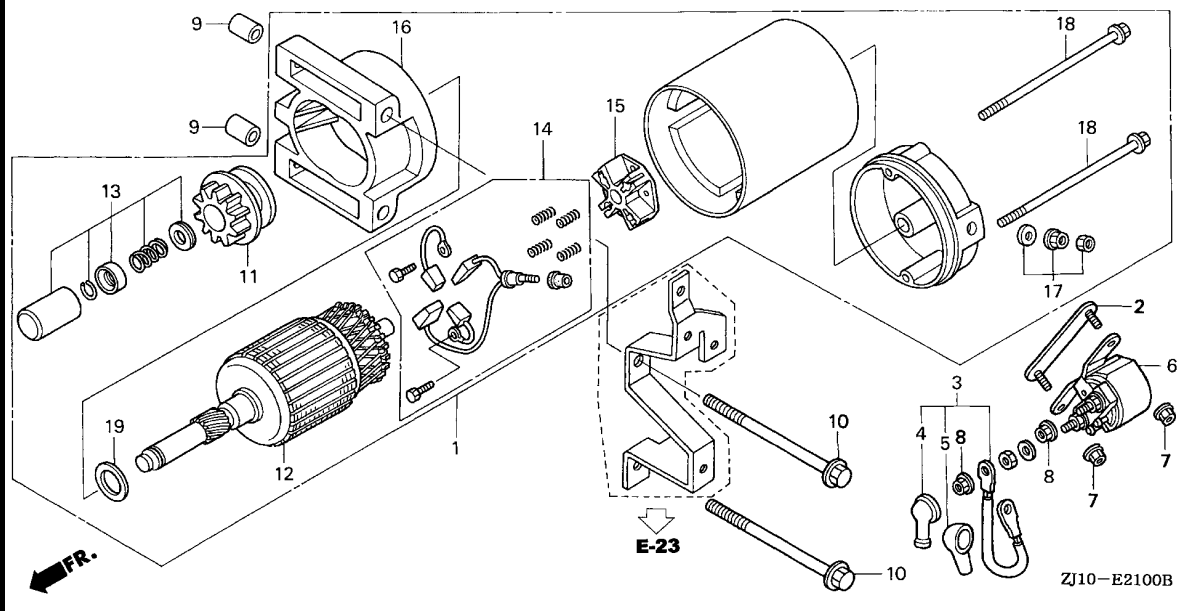




Ref. No.	Part No.	Description	Reqd. QTY					Serial No.	Parts catalogue code
			GX 620 (1)	GX 620 (2)	GX 620 K1 (1)	GX 620 (3)	GX 620 K1 (2)		
5	32411-402-000	COVER, STARTING MOTOR TERMINAL	1	-	-	1	-	QAF1, QAF2, QAF3, QAF5, QAF6, QAF8, QAP2, QDA1, QDE1, QXA, QXAP, QXAU, QXA1, QXA3, QXA4, QXA6, QXB1, QXC4, QXE1, QXE3, QXF1, QXF3, QXF6, QYA, QYA4, SAE1, SAF1, TXF2, VABP, VXAP, VXAU, VXA1, VXA3, VXE1, VXE2, VXE4, VYA1, VYA3, VZA1, VZA3, VZD, VZE1, VZE5, VZE7, VZE8, VZF1, VXE8	
			1	-	-	-	1028590	VXE8	
			-	(1)	-	-	-	-	
6	35850-ZJ1-811	SWITCH ASSY., STARTER MAGNETIC	1	-	-	1	-	QAF1, QAF2, QAF3, QAF5, QAF6, QAF8, QAP2, QDA1, QDE1, QXA, QXAP, QXAU, QXA1, QXA3, QXA4, QXA6, QXB1, QXC4, QXE1, QXE3, QXF1, QXF3, QXF6, QYA, QYA4, SAE1, SAF1, TXF2, VABP, VXAP, VXAU, VXA1, VXA3, VXE1, VXE2, VXE4, VYA1, VYA3, VZA1, VZA3, VZD, VZE1, VZE5, VZE7, VZE8, VZF1, VXE8	
			1	-	-	-	1028590	VXE8	
			-	(1)	-	-	-	-	
7	94050-06000	NUT, FLANGE, 6MM	2	-	-	2	-	QAF1, QAF2, QAF3, QAF5, QAF6, QAF8, QAP2, QDA1, QDE1, QXA, QXAP, QXAU, QXA1, QXA3, QXA4, QXA6, QXB1, QXC4, QXE1, QXE3, QXF1, QXF3, QXF6, QYA, QYA4, SAE1, SAF1, TXF2, VABP, VXAP, VXAU, VXA1, VXA3, VXE1, VXE2, VXE4, VYA1, VYA3, VZA1, VZA3, VZD, VZE1, VZE5, VZE7, VZE8, VZF1, VXE8	
			2	-	-	-	1028590	VXE8	
			-	(2)	-	-	-	-	
8	94070-06080	NUT-WASHER, 6MM	2	-	-	2	-	QAF1, QAF2, QAF3, QAF5, QAF6, QAF8, QAP2, QDA1, QDE1, QXA, QXAP, QXAU, QXA1, QXA3, QXA4, QXA6, QXB1, QXC4, QXE1, QXE3, QXF1, QXF3, QXF6, QYA, QYA4, SAE1, SAF1, TXF2, VABP, VXAP, VXAU, VXA1, VXA3, VXE1, VXE2, VXE4, VYA1, VYA3, VZA1, VZA3, VZD, VZE1, VZE5, VZE7, VZE8, VZF1, VXE8	
			2	-	-	-	1028590	VXE8	
			-	(2)	-	-	-	-	

Ref. No.	Part No.	Description	Reqd. QTY					Serial No.	Parts catalogue code
			GX 620	GX 620	GX 620 K1	GX 620	GX 620 K1		
			(1)	(2)	(1)	(3)	(2)		
9	94301-10120	DOWEL PIN, 10X12 .....	2	-	-	-	-	QAB, QAB4, QAB6, QAC6, QAF, QAF1, QAF2, QAF3, QAF4, QAF5, QAF6, QAF7, QAF8, QAP2, QDA1, QDE1, QDF, QDF4, QDF6, QDW, QXA, QXA1, QXA3, QXA4, QXA6, QXB1, QXC4, QXE1, QXE3, QXF1, QXF3, QXF6, QYA, QYA4, QYF, QYF4, QYF6, SAE1, SAF1, TXF2, VAF, VAF4, VAF6, VXA1, VXA3, VXE1, VXE2, VXE4, VXE8, VYA1, VYA3, VZA1, VZA3, VZD, VZE1, VZE5, VZE7, VZE8, VZF1	
10	95701-08110-00	BOLT, FLANGE, 8X110 .....	2	-	-	-	-	QAB, QAB4, QAB6, QAC6, QAF, QAF1, QAF2, QAF3, QAF4, QAF5, QAF6, QAF7, QAF8, QAP2, QDA1, QDE1, QDF, QDF4, QDF6, QDW, QXA, QXA1, QXA3, QXA4, QXA6, QXB1, QXC4, QXE1, QXE3, QXF1, QXF3, QXF6, QYA, QYA4, QYF, QYF4, QYF6, SAE1, SAF1, TXF2, VAF, VAF4, VAF6, VXA1, VXA3, VXE1, VXE2, VXE4, VXE8, VYA1, VYA3, VZA1, VZA3, VZD, VZE1, VZE5, VZE7, VZE8, VZF1	
			-	2	-	2	-		
11	31213-ZJ1-004	GEAR SET, PINION .....	1	-	-	-	-	QAB, QAB4, QAB6, QAC6, QAF, QAF1, QAF2, QAF3, QAF4, QAF5, QAF6, QAF7, QAF8, QAP2, QDA1, QDE1, QDF, QDF4, QDF6, QDW, QXA, QXA1, QXA3, QXA4, QXA6, QXB1, QXC4, QXE1, QXE3, QXF1, QXF3, QXF6, QYA, QYA4, QYF, QYF4, QYF6, SAE1, SAF1, TXF2, VAF, VAF4, VAF6, VXA1, VXA3, VXE1, VXE2, VXE4, VXE8, VYA1, VYA3, VZA1, VZA3, VZD, VZE1, VZE5, VZE7, VZE8, VZF1	
12	31217-ZJ1-004	ARMATURE COMP. ....	1	-	-	-	-	QAB, QAB4, QAB6, QAC6, QAF, QAF1, QAF2, QAF3, QAF4, QAF5, QAF6, QAF7, QAF8, QAP2, QDA1, QDE1, QDF, QDF4, QDF6, QDW, QXA, QXA1, QXA3, QXA4, QXA6, QXB1, QXC4, QXE1, QXE3, QXF1, QXF3, QXF6, QYA, QYA4, QYF, QYF4, QYF6, SAE1, SAF1, TXF2, VAF, VAF4, VAF6, VXA1, VXA3, VXE1, VXE2, VXE4, VXE8, VYA1, VYA3, VZA1, VZA3, VZD, VZE1, VZE5, VZE7, VZE8, VZF1	
13	31225-ZJ1-004	STOPPER SET, PINION .....	1	-	-	-	-	QAB, QAB4, QAB6, QAC6, QAF, QAF1, QAF2, QAF3, QAF4, QAF5, QAF6, QAF7, QAF8, QAP2, QDA1, QDE1, QDF, QDF4, QDF6, QDW, QXA, QXA1, QXA3, QXA4, QXA6, QXB1, QXC4, QXE1, QXE3, QXF1, QXF3, QXF6, QYA, QYA4, QYF, QYF4, QYF6, SAE1, SAF1, TXF2, VAF, VAF4, VAF6, VXA1, VXA3, VXE1, VXE2, VXE4, VXE8, VYA1, VYA3, VZA1, VZA3, VZD, VZE1, VZE5, VZE7, VZE8, VZF1	
14	31226-ZJ1-004	BRUSH SET .....	1	-	-	-	-	QAB, QAB4, QAB6, QAC6, QAF, QAF1, QAF2, QAF3, QAF4, QAF5, QAF6, QAF7, QAF8, QAP2, QDA1, QDE1, QDF, QDF4, QDF6, QDW, QXA, QXA1, QXA3, QXA4, QXA6, QXB1, QXC4, QXE1, QXE3, QXF1, QXF3, QXF6, QYA, QYA4, QYF, QYF4, QYF6, SAE1, SAF1, TXF2, VAF, VAF4, VAF6, VXA1, VXA3, VXE1, VXE2, VXE4, VXE8, VYA1, VYA3, VZA1, VZA3, VZD, VZE1, VZE5, VZE7, VZE8, VZF1	
15	31231-ZJ1-004	HOLDER COMP., BRUSH .....	1	-	-	-	-	QAB, QAB4, QAB6, QAC6, QAF, QAF1, QAF2, QAF3, QAF4, QAF5, QAF6, QAF7, QAF8, QAP2, QDA1, QDE1, QDF, QDF4, QDF6, QDW, QXA, QXA1, QXA3, QXA4, QXA6, QXB1, QXC4, QXE1, QXE3, QXF1, QXF3, QXF6, QYA, QYA4, QYF, QYF4, QYF6, SAE1, SAF1, TXF2, VAF, VAF4, VAF6, VXA1, VXA3, VXE1, VXE2, VXE4, VXE8, VYA1, VYA3, VZA1, VZA3, VZD, VZE1, VZE5, VZE7, VZE8, VZF1	
			-	1	-	1	-		
16	31235-ZJ1-004	BRACKET COMP., FR. ....	1	-	-	-	-	QAB, QAB4, QAB6, QAC6, QAF, QAF1, QAF2, QAF3, QAF4, QAF5, QAF6, QAF7, QAF8, QAP2, QDA1, QDE1, QDF, QDF4, QDF6, QDW, QXA, QXA1, QXA3, QXA4, QXA6, QXB1, QXC4, QXE1, QXE3, QXF1, QXF3, QXF6, QYA, QYA4, QYF, QYF4, QYF6, SAE1, SAF1, TXF2, VAF, VAF4, VAF6, VXA1, VXA3, VXE1, VXE2, VXE4, VXE8, VYA1, VYA3, VZA1, VZA3, VZD, VZE1, VZE5, VZE7, VZE8, VZF1	
17	31237-ZJ1-004	NUT SET, TERMINAL .....	1	-	-	-	-	QAB, QAB4, QAB6, QAC6, QAF, QAF1, QAF2, QAF3, QAF4, QAF5, QAF6, QAF7, QAF8, QAP2, QDA1, QDE1, QDF, QDF4, QDF6, QDW, QXA, QXA1, QXA3, QXA4, QXA6, QXB1, QXC4, QXE1, QXE3, QXF1, QXF3, QXF6, QYA, QYA4, QYF, QYF4, QYF6, SAE1, SAF1, TXF2, VAF, VAF4, VAF6, VXA1, VXA3, VXE1, VXE2, VXE4, VXE8, VYA1, VYA3, VZA1, VZA3, VZD, VZE1, VZE5, VZE7, VZE8, VZF1	
			-	1	-	1	-		



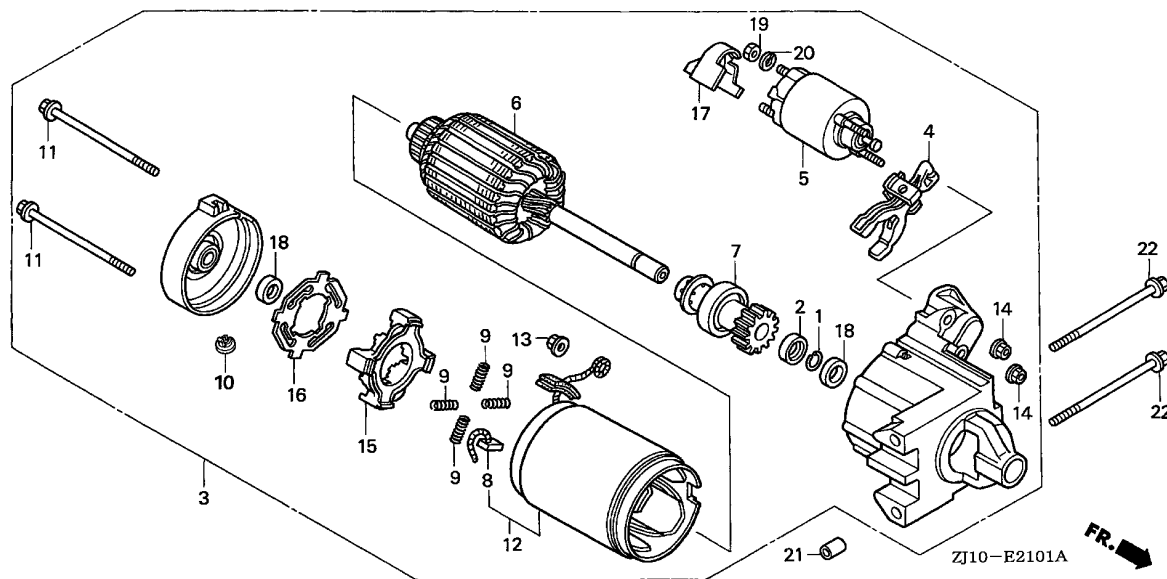


Ref. No.	Part No.	Description	Reqd. QTY					Serial No.	Parts catalogue code
			GX 620 (1)	GX 620 (2)	GX 620 K1 (1)	GX 620 (3)	GX 620 K1 (2)		
18	31261-ZJ1-004	BOLT, THROUGH	2	-	-	-	-	QAB, QAB4, QAB6, QAC6, QAF, QAF1, QAF2, QAF3, QAF4, QAF5, QAF6, QAF7, QAF8, QAP2, QDA1, QDE1, QDF, QDF4, QDF6, QDW, QXA, QXA1, QXA3, QXA4, QXA6, QXB1, QXC4, QXE1, QXE3, QXF1, QXF3, QXF6, QYA, QYA4, QYF, QYF4, QYF6, SAE1, SAF1, TXF2, VAF, VAF4, VAF6, VXA1, VXA3, VXE1, VXE2, VXE4, VXE8, VYA1, VYA3, VZA1, VZA3, VZD, VZE1, VZE5, VZE7, VZE8, VZF1	
19	90407-ZJ1-004	WASHER, THRUST	1	-	-	2	-	QAB, QAB4, QAB6, QAC6, QAF, QAF1, QAF2, QAF3, QAF4, QAF5, QAF6, QAF7, QAF8, QAP2, QDA1, QDE1, QDF, QDF4, QDF6, QDW, QXA, QXA1, QXA3, QXA4, QXA6, QXB1, QXC4, QXE1, QXE3, QXF1, QXF3, QXF6, QYA, QYA4, QYF, QYF4, QYF6, SAE1, SAF1, TXF2, VAF, VAF4, VAF6, VXA1, VXA3, VXE1, VXE2, VXE4, VXE8, VYA1, VYA3, VZA1, VZA3, VZD, VZE1, VZE5, VZE7, VZE8, VZF1	
			-	1	-	1	-		

E-21-1

STARTER MOTOR(GX620K1)

N 7

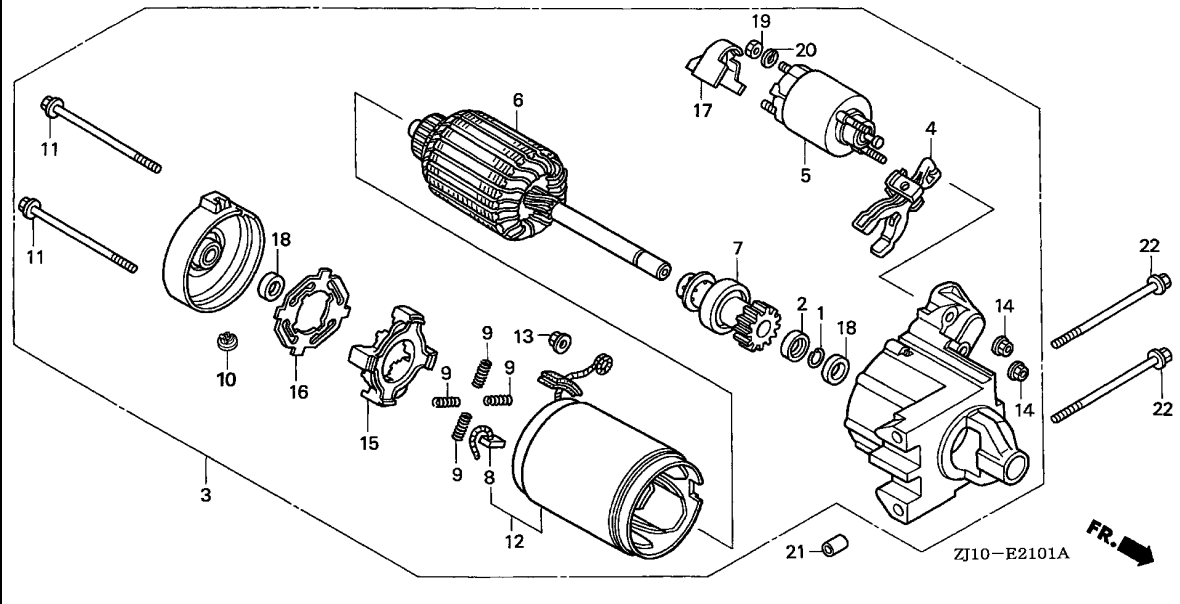


Ref. No.	L.O.N.	(Relative ref. Number) Description	F.R.T.
3	6121D5	MOTOR, STARTER .....	0.3
4	6121B7	LEVER, PINION DRIVE .....	0.3
5	6121C9	SWITCH, STARTER MAGNETIC .....	0.3
6	6121A0	ARMATURE, STARTER .....	0.6
7	6121B0	CLUTCH, OVERRUNNING .....	0.5
8	6121A9	BRUSH, STARTER .....	0.6
12	6121D1	YOKE, STARTER .....	0.6
18	6121A3	BEARING, ARMATURE .....	0.5

Ref. No.	Part No.	Description	Reqd. QTY					Serial No.	Parts catalogue code
			GX 620	GX 620	GX 620	GX 620	GX 620		
1	30201-PH9-004	RING, SNAP (DENSO) .....	-	-	1	-	-	-----	QAB,QAB/A,QAB6,QAB6/A,QAD2,QAD2/A,QAF,QAF/A,QAF1,QAF1/A,QAF2,QAF2/A,QAF5,QAF5/A,QAF6,QAF6/A,QAF7,QAF7/A,QAF8,QAF8/A,QAF9,QAF9/A,QAX1,QAX1/A,QDF,QDF/A,QDF6,QDF6/A,QDP2,QDP2/A,QDW,QDW/A,QWA6,QWA6/A,QWF6,QWF6/A,QXA,QXA/A,QXA3,QXA3/A,QXA6,QXA6/A,QXB1,QXB1/A,QXC2,QXC2/A,QXE1,QXE1/A,QXE4,QXE4/A,QXE5,QXE5/A,QXE7,QXE7/A,QXE8,QXE8/A,QXF,QXF/A,QXF3,QXF3/A,QXF4,QXF4/A,QXF6,QXF6/A,QXF8,QXF8/A,QXW2,QXW2/A,QXW4,QXW4/A,QYA,QYA/A,QYD,QYD/A,QYF,QYF/A,QZB,QZB/A,QZB2,QZB2/A,QZB3,QZB3/A,QZD,QZD/A,QZE3,QZE3/A,QZE4,QZE4/A,QZF1,QZF1/A,QZF2,QZF2/A,QZF8,QZF8/A,SAE1,SAE1/A,SAF1,SAF1/A,SYA,SYA/A,TFX2,TFX2/A,VAB2,VAB2/A,VAB3,VAB3/A,VAF,VAF/A,VAF6,VAF6/A,VDB2,VDB2/A,VDC2,VDC2/A,VEP4,VEP4/A,VXA1,VXA1/A,VXA4,VXA4/A,VXA5,VXA5/A,VXA6,VXA6/A,VXD4,VXD4/A,VXE1,VXE1/A,VXE2,VXE2/A,VXE4,VXE4/A,VXE8,VXE8/A,VXF,VXF/A,VXF4,VXF4/A,VXP2,VXP2/A,VYA1,VYA3,VYA3/A,VYE3,VYE3/A,VZA1,VZE7,VZE7/A,VZE8,VZE8/A
			-	-	1	-	-	-----	

2

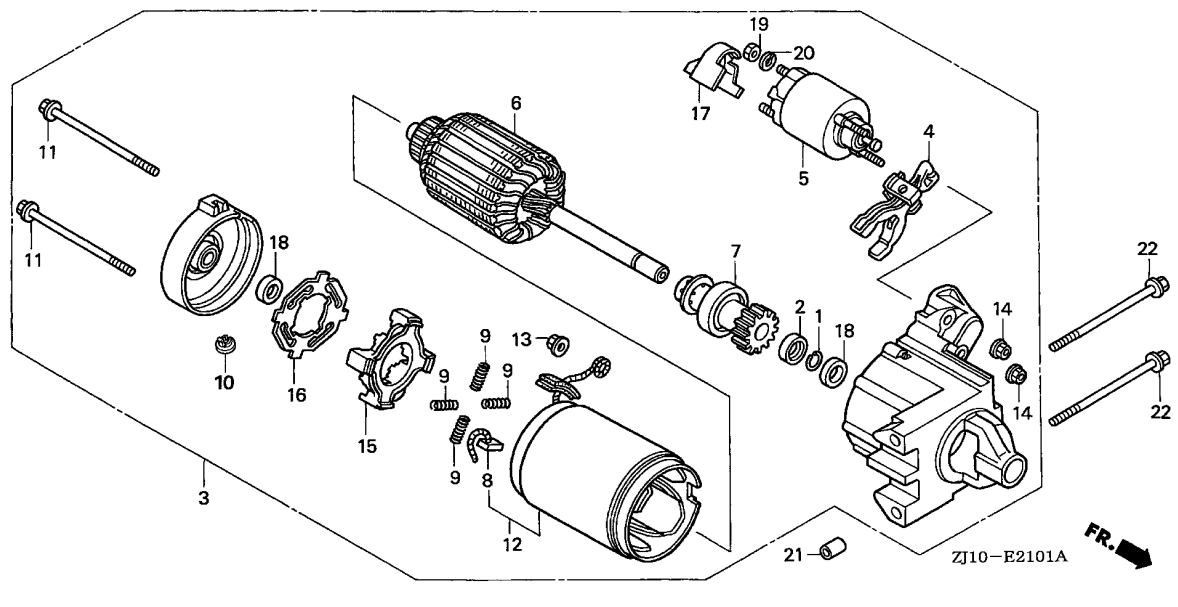




Ref. No.	Part No.	Description	Reqd. QTY					Serial No.	Parts catalogue code
			GX 620	GX 620	GX 620 K1	GX 620 (3)	GX 620 (2)		
2	30202-PZ1-003	COLLAR SET, CLUTCH STOP .....	-	-	1	-	-	-----	QAB,QAB/A,QAB6,QAB6/A,QAD2,QAD2/A,QAF,QAF/A,QAF1,QAF1/A,QAF2,QAF2/A,QAF5,QAF5/A,QAF6,QAF6/A,QAF7,QAF7/A,QAF8,QAF8/A,QAF9,QAF9/A,QAX1,QAX1/A,QDF,QDF/A,QDF6,QDF6/A,QDP2,QDP2/A,QDW,QDW/A,QWA6,QWA6/A,QWF6,QWF6/A,QXA,QXA/A,QXA3,QXA3/A,QXA6,QXA6/A,QXB1,QXB1/A,QXC2,QXC2/A,QXE1,QXE1/A,QXE4,QXE4/A,QXE5,QXE5/A,QXE7,QXE7/A,QXE8,QXE8/A,QXF,QXF/A,QXF3,QXF3/A,QXF4,QXF4/A,QXF6,QXF6/A,QXF8,QXF8/A,QXW2,QXW2/A,QXW4,QXW4/A,QYA,QYA/A,QYD,QYD/A,QYF,QYF/A,QZB,QZB/A,QZB2,QZB2/A,QZB3,QZB3/A,QZD,QZD/A,QZE3,QZE3/A,QZE4,QZE4/A,QZF1,QZF1/A,QZF2,QZF2/A,QZF8,QZF8/A,SAE1,SAE1/A,SAF1,SAF1/A,SYA,SYA/A,TFX2,TFX2/A,VAB2,VAB2/A,VAB3,VAB3/A,VAF,VAF/A,VAF6,VAF6/A,VDB2,VDB2/A,VDC2,VDC2/A,VEP4,VEP4/A,VXA1,VXA1/A,VXA4,VXA4/A,VXA5,VXA5/A,VXA6,VXA6/A,VXD4,VXD4/A,VXE1,VXE1/A,VXE2,VXE2/A,VXE4,VXE4/A,VXE8,VXE8/A,VXF,VXF/A,VXF4,VXF4/A,VXP2,VXP2/A,VYA1,VYA3,VYA3/A,VYE3,VYE3/A,VZA1,VZE7,VZE7/A,VZE8,VZE8/A
			-	-	-	-	1		

Ref. No.	Part No.	Description	Reqd. QTY					Serial No.	Parts catalogue code
			GX 620	GX 620	GX 620 K1	GX 620	GX 620 K1		
			(1)	(2)	(1)	(3)	(2)		
3	31200-ZJ1-841	MOTOR ASSY., STARTER .....	-	-	1	-	-	-----	QAB,QAB/A,QAB6,QAB6/A,QAD2,QAD2/A,QAF,QAF/A,QAF1,QAF1/A QAF2,QAF2/A,QAF5,QAF5/A,QAF6,QAF6/A,QAF7,QAF7/A,QAF8 QAF8/A,QAF9,QAF9/A,QAX1,QAX1/A,QDF,QDF/A,QDF6,QDF6/A,QDP2 QDP2/A,QDW,QDW/A,QWA6,QWA6/A,QWF6,QWF6/A,QXA,QXA/A,QXA3 QXA3/A,QXA6,QXA6/A,QXB1,QXB1/A,QXC2,QXC2/A,QXE1,QXE1/A QXE4,QXE4/A,QXE5,QXE5/A,QXE7,QXE7/A,QXE8,QXE8/A,QXF,QXF/A QXF3,QXF4,QXF4/A,QXF6,QXF6/A,QXF8,QXF8/A,QXW2,QXW2/A,QXW4 QXW4/A,QYA,QYA/A,QYD,QYD/A,QYF,QYF/A,QZB,QZB/A,QZB2,QZB2/A QZB3,QZB3/A,QZD,QZD/A,QZE3,QZE3/A,QZE4,QZE4/A,QZF1,QZF1/A QZF2,QZF2/A,QZF8,QZF8/A,SAE1,SAE1/A,SAF1,SAF1/A,SYA,SYA/A TXF2,TXF2/A,VAB2,VAB2/A,VAB3,VAB3/A,VAFA,VAFA/A,VAFA6,VAFA6/A VDB2,VDB2/A,VDC2,VDC2/A,VEP4,VEP4/A,VXA1,VXA1/A,VXA4 VXA4/A,VXA5,VXA5/A,VXA6,VXA6/A,VXD4,VXD4/A,VXE1,VXE1/A VXE2,VXE2/A,VXE4,VXE4/A,VXE8,VXE8/A,VXF,VXF/A,VXF4,VXF4/A VXP2,VXP2/A,VYA1,VYA3,VYA3/A,VYE3,VYE3/A,VZA1,VZE7,VZE7/A VZE8,VZE8/A
4	31203-PH9-004	LEVER, PINION DRIVE .....	-	-	1	-	-	-----	QAB,QAB/A,QAB6,QAB6/A,QAD2,QAD2/A,QAF,QAF/A,QAF1,QAF1/A QAF2,QAF2/A,QAF5,QAF5/A,QAF6,QAF6/A,QAF7,QAF7/A,QAF8 QAF8/A,QAF9,QAF9/A,QAX1,QAX1/A,QDF,QDF/A,QDF6,QDF6/A,QDP2 QDP2/A,QDW,QDW/A,QWA6,QWA6/A,QWF6,QWF6/A,QXA,QXA/A,QXA3 QXA3/A,QXA6,QXA6/A,QXB1,QXB1/A,QXC2,QXC2/A,QXE1,QXE1/A QXE4,QXE4/A,QXE5,QXE5/A,QXE7,QXE7/A,QXE8,QXE8/A,QXF,QXF/A QXF3,QXF4,QXF4/A,QXF6,QXF6/A,QXF8,QXF8/A,QXW2,QXW2/A,QXW4 QXW4/A,QYA,QYA/A,QYD,QYD/A,QYF,QYF/A,QZB,QZB/A,QZB2,QZB2/A QZB3,QZB3/A,QZD,QZD/A,QZE3,QZE3/A,QZE4,QZE4/A,QZF1,QZF1/A QZF2,QZF2/A,QZF8,QZF8/A,SAE1,SAE1/A,SAF1,SAF1/A,SYA,SYA/A TXF2,TXF2/A,VAB2,VAB2/A,VAB3,VAB3/A,VAFA,VAFA/A,VAFA6,VAFA6/A VDB2,VDB2/A,VDC2,VDC2/A,VEP4,VEP4/A,VXA1,VXA1/A,VXA4 VXA4/A,VXA5,VXA5/A,VXA6,VXA6/A,VXD4,VXD4/A,VXE1,VXE1/A VXE2,VXE2/A,VXE4,VXE4/A,VXE8,VXE8/A,VXF,VXF/A,VXF4,VXF4/A VXP2,VXP2/A,VYA1,VYA3,VYA3/A,VYE3,VYE3/A,VZA1,VZE7,VZE7/A VZE8,VZE8/A
5	31204-ZJ1-H01	SWITCH ASSY., MAGNET .....	-	-	1	-	-	-----	QAB,QAB/A,QAB6,QAB6/A,QAD2,QAD2/A,QAF,QAF/A,QAF1,QAF1/A QAF2,QAF2/A,QAF5,QAF5/A,QAF6,QAF6/A,QAF7,QAF7/A,QAF8 QAF8/A,QAF9,QAF9/A,QAX1,QAX1/A,QDF,QDF/A,QDF6,QDF6/A,QDP2 QDP2/A,QDW,QDW/A,QWA6,QWA6/A,QWF6,QWF6/A,QXA,QXA/A,QXA3 QXA3/A,QXA6,QXA6/A,QXB1,QXB1/A,QXC2,QXC2/A,QXE1,QXE1/A QXE4,QXE4/A,QXE5,QXE5/A,QXE7,QXE7/A,QXE8,QXE8/A,QXF,QXF/A QXF3,QXF4,QXF4/A,QXF6,QXF6/A,QXF8,QXF8/A,QXW2,QXW2/A,QXW4 QXW4/A,QYA,QYA/A,QYD,QYD/A,QYF,QYF/A,QZB,QZB/A,QZB2,QZB2/A QZB3,QZB3/A,QZD,QZD/A,QZE3,QZE3/A,QZE4,QZE4/A,QZF1,QZF1/A QZF2,QZF2/A,QZF8,QZF8/A,SAE1,SAE1/A,SAF1,SAF1/A,SYA,SYA/A TXF2,TXF2/A,VAB2,VAB2/A,VAB3,VAB3/A,VAFA,VAFA/A,VAFA6,VAFA6/A VDB2,VDB2/A,VDC2,VDC2/A,VEP4,VEP4/A,VXA1,VXA1/A,VXA4 VXA4/A,VXA5,VXA5/A,VXA6,VXA6/A,VXD4,VXD4/A,VXE1,VXE1/A VXE2,VXE2/A,VXE4,VXE4/A,VXE8,VXE8/A,VXF,VXF/A,VXF4,VXF4/A VXP2,VXP2/A,VYA1,VYA3,VYA3/A,VYE3,VYE3/A,VZA1,VZE7,VZE7/A VZE8,VZE8/A
			-	-	-	-	1		

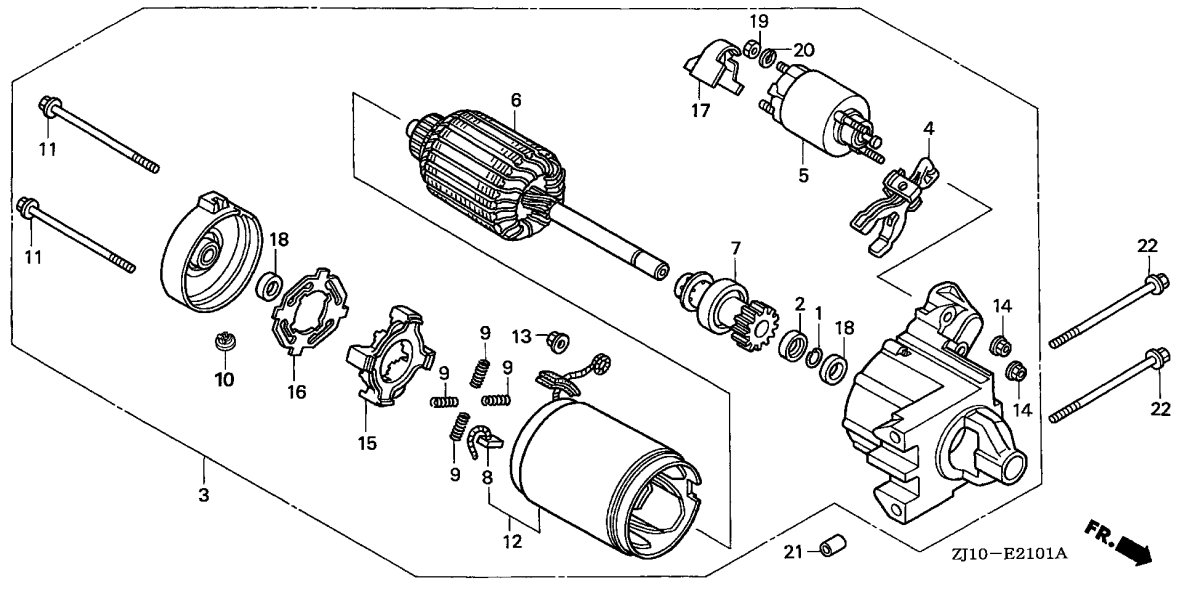




Ref. No.	Part No.	Description	Reqd. QTY					Serial No.	Parts catalogue code
			GX 620	GX 620	GX 620	GX 620	GX 620		
6	31206-ZG4-801	ARMATURE COMP. ....	-	-	1	-	-	-----	QAB,QAB/A,QAB6,QAB6/A,QAD2,QAD2/A,QAF,QAF/A,QAF1,QAF1/A,QAF2,QAF2/A,QAF5,QAF5/A,QAF6,QAF6/A,QAF7,QAF7/A,QAF8,QAF8/A,QAF9,QAF9/A,QAX1,QAX1/A,QDF,QDF/A,QDF6,QDF6/A,QDP2,QDP2/A,QDW,QDW/A,QWA6,QWA6/A,QWF6,QWF6/A,QXA,QXA/A,QXA3,QXA3/A,QXA6,QXA6/A,QXB1,QXB1/A,QXC2,QXC2/A,QXE1,QXE1/A,QXE4,QXE4/A,QXE5,QXE5/A,QXE7,QXE7/A,QXE8,QXE8/A,QXF,QXF/A,QXF3,QXF3/A,QXF4,QXF4/A,QXF6,QXF6/A,QXF8,QXF8/A,QXW2,QXW2/A,QXW4,QXW4/A,QYA,QYA/A,QYD,QYD/A,QYF,QYF/A,QZB,QZB/A,QZB2,QZB2/A,QZB3,QZB3/A,QZD,QZD/A,QZE3,QZE3/A,QZE4,QZE4/A,QZF1,QZF1/A,QZF2,QZF2/A,QZF8,QZF8/A,SAE1,SAE1/A,SAF1,SAF1/A,SYA,SYA/A,TFX2,TFX2/A,VAB2,VAB2/A,VAB3,VAB3/A,VAF,VAF/A,VAF6,VAF6/A,VDB2,VDB2/A,VDC2,VDC2/A,VEP4,VEP4/A,VXA1,VXA1/A,VXA4,VXA4/A,VXA5,VXA5/A,VXA6,VXA6/A,VXD4,VXD4/A,VXE1,VXE1/A,VXE2,VXE2/A,VXE4,VXE4/A,VXE8,VXE8/A,VXF,VXF/A,VXF4,VXF4/A,VXP2,VXP2/A,VYA1,VYA3,VYA3/A,VYE3,VYE3/A,VZA1,VZE7,VZE7/A,VZE8,VZE8/A
			-	-	-	-	1		

Ref. No.	Part No.	Description	Reqd. QTY					Serial No.	Parts catalogue code
			GX 620	GX 620	GX 620 K1	GX 620	GX 620 K1		
			(1)	(2)	(1)	(3)	(2)		
7	31207-ZJ1-H01	CLUTCH COMP., OVERRUNNING ...	-	-	1	-	-	-----	QAB,QAB/A,QAB6,QAB6/A,QAD2,QAD2/A,QAF,QAF/A,QAF1,QAF1/A QAF2,QAF2/A,QAF5,QAF5/A,QAF6,QAF6/A,QAF7,QAF7/A,QAF8 QAF8/A,QAF9,QAF9/A,QAX1,QAX1/A,QDF,QDF/A,QDF6,QDF6/A,QDP2 QDP2/A,QDW,QDW/A,QWA6,QWA6/A,QWF6,QWF6/A,QXA,QXA/A,QXA3 QXA3/A,QXA6,QXA6/A,QXB1,QXB1/A,QXC2,QXC2/A,QXE1,QXE1/A QXE4,QXE4/A,QXE5,QXE5/A,QXE7,QXE7/A,QXE8,QXE8/A,QXF,QXF/A QXF3,QXF4,QXF4/A,QXF6,QXF6/A,QXF8,QXF8/A,QXW2,QXW2/A,QXW4 QXW4/A,QYA,QYA/A,QYD,QYD/A,QYF,QYF/A,QZB,QZB/A,QZB2,QZB2/A QZB3,QZB3/A,QZD,QZD/A,QZE3,QZE3/A,QZE4,QZE4/A,QZF1,QZF1/A QZF2,QZF2/A,QZF8,QZF8/A,SAE1,SAE1/A,SAF1,SAF1/A,SYA,SYA/A TXF2,TXF2/A,VAB2,VAB2/A,VAB3,VAB3/A,VAF,VAF/A,VAF6,VAF6/A VDB2,VDB2/A,VDC2,VDC2/A,VEP4,VEP4/A,VXA1,VXA1/A,VXA4 VXA4/A,VXA5,VXA5/A,VXA6,VXA6/A,VXD4,VXD4/A,VXE1,VXE1/A VXE2,VXE2/A,VXE4,VXE4/A,VXE8,VXE8/A,VXF,VXF/A,VXF4,VXF4/A VXP2,VXP2/A,VYA1,VYA3,VYA3/A,VYE3,VYE3/A,VZA1,VZE7,VZE7/A VZE8,VZE8/A
8	31211-PH9-004	BRUSH .....	-	-	4	-	1	-----	QAB,QAB/A,QAB6,QAB6/A,QAD2,QAD2/A,QAF,QAF/A,QAF1,QAF1/A QAF2,QAF2/A,QAF5,QAF5/A,QAF6,QAF6/A,QAF7,QAF7/A,QAF8 QAF8/A,QAF9,QAF9/A,QAX1,QAX1/A,QDF,QDF/A,QDF6,QDF6/A,QDP2 QDP2/A,QDW,QDW/A,QWA6,QWA6/A,QWF6,QWF6/A,QXA,QXA/A,QXA3 QXA3/A,QXA6,QXA6/A,QXB1,QXB1/A,QXC2,QXC2/A,QXE1,QXE1/A QXE4,QXE4/A,QXE5,QXE5/A,QXE7,QXE7/A,QXE8,QXE8/A,QXF,QXF/A QXF3,QXF4,QXF4/A,QXF6,QXF6/A,QXF8,QXF8/A,QXW2,QXW2/A,QXW4 QXW4/A,QYA,QYA/A,QYD,QYD/A,QYF,QYF/A,QZB,QZB/A,QZB2,QZB2/A QZB3,QZB3/A,QZD,QZD/A,QZE3,QZE3/A,QZE4,QZE4/A,QZF1,QZF1/A QZF2,QZF2/A,QZF8,QZF8/A,SAE1,SAE1/A,SAF1,SAF1/A,SYA,SYA/A TXF2,TXF2/A,VAB2,VAB2/A,VAB3,VAB3/A,VAF,VAF/A,VAF6,VAF6/A VDB2,VDB2/A,VDC2,VDC2/A,VEP4,VEP4/A,VXA1,VXA1/A,VXA4 VXA4/A,VXA5,VXA5/A,VXA6,VXA6/A,VXD4,VXD4/A,VXE1,VXE1/A VXE2,VXE2/A,VXE4,VXE4/A,VXE8,VXE8/A,VXF,VXF/A,VXF4,VXF4/A VXP2,VXP2/A,VYA1,VYA3,VYA3/A,VYE3,VYE3/A,VZA1,VZE7,VZE7/A VZE8,VZE8/A
9	31212-PH9-004	SPRING, BRUSH .....	-	-	4	-	4	-----	QAB,QAB/A,QAB6,QAB6/A,QAD2,QAD2/A,QAF,QAF/A,QAF1,QAF1/A QAF2,QAF2/A,QAF5,QAF5/A,QAF6,QAF6/A,QAF7,QAF7/A,QAF8 QAF8/A,QAF9,QAF9/A,QAX1,QAX1/A,QDF,QDF/A,QDF6,QDF6/A,QDP2 QDP2/A,QDW,QDW/A,QWA6,QWA6/A,QWF6,QWF6/A,QXA,QXA/A,QXA3 QXA3/A,QXA6,QXA6/A,QXB1,QXB1/A,QXC2,QXC2/A,QXE1,QXE1/A QXE4,QXE4/A,QXE5,QXE5/A,QXE7,QXE7/A,QXE8,QXE8/A,QXF,QXF/A QXF3,QXF4,QXF4/A,QXF6,QXF6/A,QXF8,QXF8/A,QXW2,QXW2/A,QXW4 QXW4/A,QYA,QYA/A,QYD,QYD/A,QYF,QYF/A,QZB,QZB/A,QZB2,QZB2/A QZB3,QZB3/A,QZD,QZD/A,QZE3,QZE3/A,QZE4,QZE4/A,QZF1,QZF1/A QZF2,QZF2/A,QZF8,QZF8/A,SAE1,SAE1/A,SAF1,SAF1/A,SYA,SYA/A TXF2,TXF2/A,VAB2,VAB2/A,VAB3,VAB3/A,VAF,VAF/A,VAF6,VAF6/A VDB2,VDB2/A,VDC2,VDC2/A,VEP4,VEP4/A,VXA1,VXA1/A,VXA4 VXA4/A,VXA5,VXA5/A,VXA6,VXA6/A,VXD4,VXD4/A,VXE1,VXE1/A VXE2,VXE2/A,VXE4,VXE4/A,VXE8,VXE8/A,VXF,VXF/A,VXF4,VXF4/A VXP2,VXP2/A,VYA1,VYA3,VYA3/A,VYE3,VYE3/A,VZA1,VZE7,VZE7/A VZE8,VZE8/A
			-	-	-	-	4		

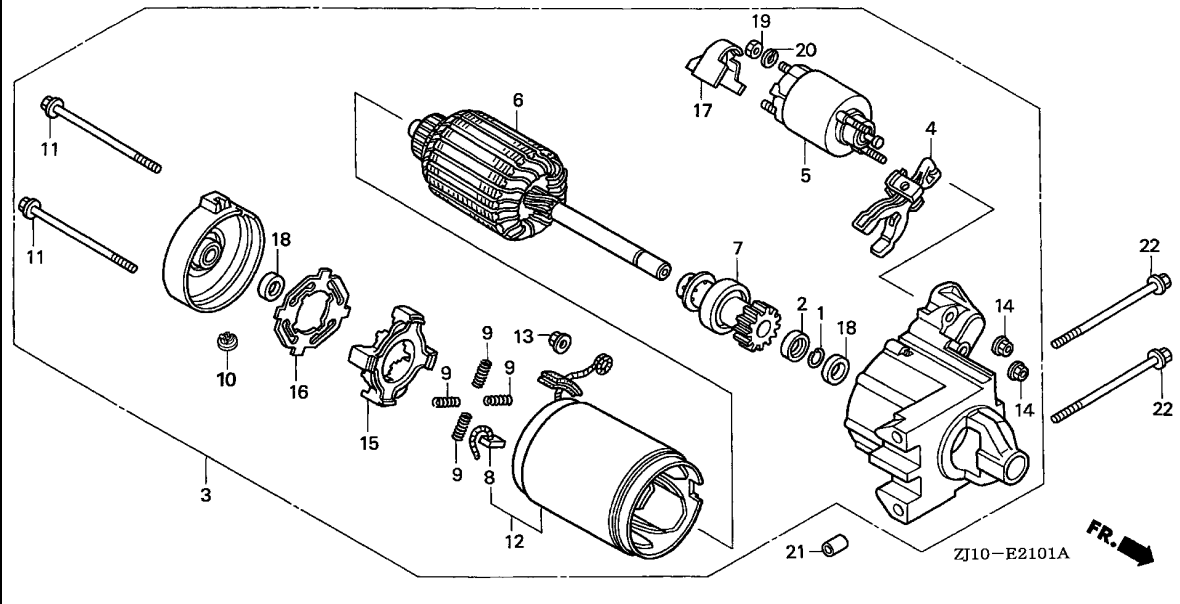




Ref. No.	Part No.	Description	Reqd. QTY					Serial No.	Parts catalogue code
			GX 620 (1)	GX 620 (2)	GX 620 K1 (1)	GX 620 (3)	GX 620 (2)		
10	31213-P64-N01	COVER	-	-	1	-	-	-----	QAB,QAB/A,QAB6,QAB6/A,QAD2,QAD2/A,QAF,QAF/A,QAF1,QAF1/A,QAF2,QAF2/A,QAF5,QAF5/A,QAF6,QAF6/A,QAF7,QAF7/A,QAF8,QAF8/A,QAF9,QAF9/A,QAX1,QAX1/A,QDF,QDF/A,QDF6,QDF6/A,QDP2,QDP2/A,QDW,QDW/A,QWA6,QWA6/A,QWF6,QWF6/A,QXA,QXA/A,QXA3,QXA3/A,QXA6,QXA6/A,QXB1,QXB1/A,QXC2,QXC2/A,QXE1,QXE1/A,QXE4,QXE4/A,QXE5,QXE5/A,QXE7,QXE7/A,QXE8,QXE8/A,QXF,QXF/A,QXF3,QXF3/A,QXF4,QXF4/A,QXF6,QXF6/A,QXF8,QXF8/A,QXW2,QXW2/A,QXW4,QXW4/A,QYA,QYA/A,QYD,QYD/A,QYF,QYF/A,QZB,QZB/A,QZB2,QZB2/A,QZB3,QZB3/A,QZD,QZD/A,QZE3,QZE3/A,QZE4,QZE4/A,QZF1,QZF1/A,QZF2,QZF2/A,QZF8,QZF8/A,SAE1,SAE1/A,SAF1,SAF1/A,SYA,SYA/A,TFX2,TFX2/A,VAB2,VAB2/A,VAB3,VAB3/A,VAF,VAF/A,VAF6,VAF6/A,VDB2,VDB2/A,VDC2,VDC2/A,VEP4,VEP4/A,VXA1,VXA1/A,VXA4,VXA4/A,VXA5,VXA5/A,VXA6,VXA6/A,VXD4,VXD4/A,VXE1,VXE1/A,VXE2,VXE2/A,VXE4,VXE4/A,VXE8,VXE8/A,VXF,VXF/A,VXF4,VXF4/A,VXP2,VXP2/A,VYA1,VYA3,VYA3/A,VYE3,VYE3/A,VZA1,VZE7,VZE7/A,VZE8,VZE8/A
			-	-	-	-	1		

Ref. No.	Part No.	Description	Reqd. QTY					Serial No.	Parts catalogue code
			GX 620	GX 620	GX 620 K1	GX 620	GX 620 K1		
11	31214-PH9-004	BOLT, THROUGH .....	(1)	(2)	(1)	(3)	(2)		QAB,QAB/A,QAB6,QAB6/A,QAD2,QAD2/A,QAF,QAF/A,QAF1,QAF1/A,QAF2,QAF2/A,QAF5,QAF5/A,QAF6,QAF6/A,QAF7,QAF7/A,QAF8,QAF8/A,QAF9,QAF9/A,QAX1,QAX1/A,QDF,QDF/A,QDF6,QDF6/A,QDP2,QDP2/A,QDW,QDW/A,QWA6,QWA6/A,QWF6,QWF6/A,QXA,QXA/A,QXA3,QXA3/A,QXA6,QXA6/A,QXB1,QXB1/A,QXC2,QXC2/A,QXE1,QXE1/A,QXE4,QXE4/A,QXE5,QXE5/A,QXE7,QXE7/A,QXE8,QXE8/A,QXF,QXF/A,QXF3,QXF4,QXF4/A,QXF6,QXF6/A,QXF8,QXF8/A,QXW2,QXW2/A,QXW4,QXW4/A,QYA,QYA/A,QYD,QYD/A,QYF,QYF/A,QZB,QZB/A,QZB2,QZB2/A,QZB3,QZB3/A,QZD,QZD/A,QZE3,QZE3/A,QZE4,QZE4/A,QZF1,QZF1/A,QZF2,QZF2/A,QZF8,QZF8/A,SAE1,SAE1/A,SAF1,SAF1/A,SYA,SYA/A,TFX2,TFX2/A,VAB2,VAB2/A,VAB3,VAB3/A,VAF,VAF/A,VAF6,VAF6/A,VDB2,VDB2/A,VDC2,VDC2/A,VEP4,VEP4/A,VXA1,VXA1/A,VXA4,VXA4/A,VXA5,VXA5/A,VXA6,VXA6/A,VXD4,VXD4/A,VXE1,VXE1/A,VXE2,VXE2/A,VXE4,VXE4/A,VXE8,VXE8/A,VXF,VXF/A,VXF4,VXF4/A,VXP2,VXP2/A,VYA1,VYA3,VYA3/A,VYE3,VYE3/A,VZA1,VZE7,VZE7/A,VZE8,VZE8/A
12	31216-ZJ1-H01	YOKE COMP. ....	-	-	1	-	2		QAB,QAB/A,QAB6,QAB6/A,QAD2,QAD2/A,QAF,QAF/A,QAF1,QAF1/A,QAF2,QAF2/A,QAF5,QAF5/A,QAF6,QAF6/A,QAF7,QAF7/A,QAF8,QAF8/A,QAF9,QAF9/A,QAX1,QAX1/A,QDF,QDF/A,QDF6,QDF6/A,QDP2,QDP2/A,QDW,QDW/A,QWA6,QWA6/A,QWF6,QWF6/A,QXA,QXA/A,QXA3,QXA3/A,QXA6,QXA6/A,QXB1,QXB1/A,QXC2,QXC2/A,QXE1,QXE1/A,QXE4,QXE4/A,QXE5,QXE5/A,QXE7,QXE7/A,QXE8,QXE8/A,QXF,QXF/A,QXF3,QXF4,QXF4/A,QXF6,QXF6/A,QXF8,QXF8/A,QXW2,QXW2/A,QXW4,QXW4/A,QYA,QYA/A,QYD,QYD/A,QYF,QYF/A,QZB,QZB/A,QZB2,QZB2/A,QZB3,QZB3/A,QZD,QZD/A,QZE3,QZE3/A,QZE4,QZE4/A,QZF1,QZF1/A,QZF2,QZF2/A,QZF8,QZF8/A,SAE1,SAE1/A,SAF1,SAF1/A,SYA,SYA/A,TFX2,TFX2/A,VAB2,VAB2/A,VAB3,VAB3/A,VAF,VAF/A,VAF6,VAF6/A,VDB2,VDB2/A,VDC2,VDC2/A,VEP4,VEP4/A,VXA1,VXA1/A,VXA4,VXA4/A,VXA5,VXA5/A,VXA6,VXA6/A,VXD4,VXD4/A,VXE1,VXE1/A,VXE2,VXE2/A,VXE4,VXE4/A,VXE8,VXE8/A,VXF,VXF/A,VXF4,VXF4/A,VXP2,VXP2/A,VYA1,VYA3,VYA3/A,VYE3,VYE3/A,VZA1,VZE7,VZE7/A,VZE8,VZE8/A
13	31220-PH9-004	NUT, HEX., 8MM .....	-	-	1	-	1		QAB,QAB/A,QAB6,QAB6/A,QAD2,QAD2/A,QAF,QAF/A,QAF1,QAF1/A,QAF2,QAF2/A,QAF5,QAF5/A,QAF6,QAF6/A,QAF7,QAF7/A,QAF8,QAF8/A,QAF9,QAF9/A,QAX1,QAX1/A,QDF,QDF/A,QDF6,QDF6/A,QDP2,QDP2/A,QDW,QDW/A,QWA6,QWA6/A,QWF6,QWF6/A,QXA,QXA/A,QXA3,QXA3/A,QXA6,QXA6/A,QXB1,QXB1/A,QXC2,QXC2/A,QXE1,QXE1/A,QXE4,QXE4/A,QXE5,QXE5/A,QXE7,QXE7/A,QXE8,QXE8/A,QXF,QXF/A,QXF3,QXF4,QXF4/A,QXF6,QXF6/A,QXF8,QXF8/A,QXW2,QXW2/A,QXW4,QXW4/A,QYA,QYA/A,QYD,QYD/A,QYF,QYF/A,QZB,QZB/A,QZB2,QZB2/A,QZB3,QZB3/A,QZD,QZD/A,QZE3,QZE3/A,QZE4,QZE4/A,QZF1,QZF1/A,QZF2,QZF2/A,QZF8,QZF8/A,SAE1,SAE1/A,SAF1,SAF1/A,SYA,SYA/A,TFX2,TFX2/A,VAB2,VAB2/A,VAB3,VAB3/A,VAF,VAF/A,VAF6,VAF6/A,VDB2,VDB2/A,VDC2,VDC2/A,VEP4,VEP4/A,VXA1,VXA1/A,VXA4,VXA4/A,VXA5,VXA5/A,VXA6,VXA6/A,VXD4,VXD4/A,VXE1,VXE1/A,VXE2,VXE2/A,VXE4,VXE4/A,VXE8,VXE8/A,VXF,VXF/A,VXF4,VXF4/A,VXP2,VXP2/A,VYA1,VYA3,VYA3/A,VYE3,VYE3/A,VZA1,VZE7,VZE7/A,VZE8,VZE8/A



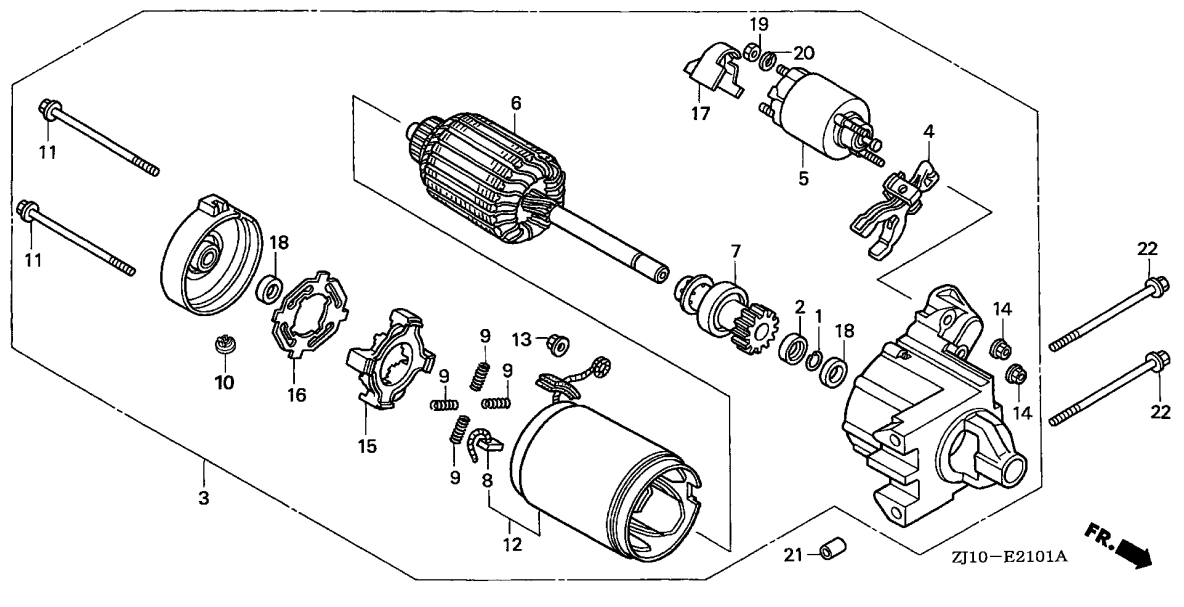


Ref. No.	Part No.	Description	Reqd. QTY					Serial No.	Parts catalogue code
			GX 620	GX 620	GX 620	GX 620	GX 620		
14	31223-PA0-006	NUT, FLANGE, 5MM	(1)	(2)	K1	(3)	(2)	-----	QAB,QAB/A,QAB6,QAB6/A,QAD2,QAD2/A,QAF,QAF/A,QAF1,QAF1/A,QAF2,QAF2/A,QAF5,QAF5/A,QAF6,QAF6/A,QAF7,QAF7/A,QAF8,QAF8/A,QAF9,QAF9/A,QAX1,QAX1/A,QDF,QDF/A,QDF6,QDF6/A,QDP2,QDP2/A,QDW,QDW/A,QWA6,QWA6/A,QWF6,QWF6/A,QXA,QXA/A,QXA3,QXA3/A,QXA6,QXA6/A,QXB1,QXB1/A,QXC2,QXC2/A,QXE1,QXE1/A,QXE4,QXE4/A,QXE5,QXE5/A,QXE7,QXE7/A,QXE8,QXE8/A,QXF,QXF/A,QXF3,QXF3/A,QXF4,QXF4/A,QXF6,QXF6/A,QXF8,QXF8/A,QXW2,QXW2/A,QXW4,QXW4/A,QYA,QYA/A,QYD,QYD/A,QYF,QYF/A,QZB,QZB/A,QZB2,QZB2/A,QZB3,QZB3/A,QZD,QZD/A,QZE3,QZE3/A,QZE4,QZE4/A,QZF1,QZF1/A,QZF2,QZF2/A,QZF8,QZF8/A,SAE1,SAE1/A,SAF1,SAF1/A,SYA,SYA/A,TFX2,TFX2/A,VAB2,VAB2/A,VAB3,VAB3/A,VAF,VAF/A,VAF6,VAF6/A,VDB2,VDB2/A,VDC2,VDC2/A,VEP4,VEP4/A,VXA1,VXA1/A,VXA4,VXA4/A,VXA5,VXA5/A,VXA6,VXA6/A,VXD4,VXD4/A,VXE1,VXE1/A,VXE2,VXE2/A,VXE4,VXE4/A,VXE8,VXE8/A,VXF,VXF/A,VXF4,VXF4/A,VXP2,VXP2/A,VYA1,VYA3,VYA3/A,VYE3,VYE3/A,VZA1,VZE7,VZE7/A,VZE8,VZE8/A
			-	-	2	-	-	-----	
			-	-	-	-	2		

Ref. No.	Part No.	Description	Reqd. QTY					Serial No.	Parts catalogue code
			GX 620	GX 620	GX 620 K1	GX 620	GX 620 K1		
			(1)	(2)	(1)	(3)	(2)		
15	31231-PH9-004	HOLDER, BRUSH .....	-	-	1	-	-	----- QAB, QAB/A, QAB6, QAB6/A, QAD2, QAD2/A, QAF, QAF/A, QAF1, QAF1/A, QAF2, QAF2/A, QAF5, QAF5/A, QAF6, QAF6/A, QAF7, QAF7/A, QAF8, QAF8/A, QAF9, QAF9/A, QAX1, QAX1/A, QDF, QDF/A, QDF6, QDF6/A, QDP2, QDP2/A, QDW, QDW/A, QWA6, QWA6/A, QWF6, QWF6/A, QXA, QXA/A, QXA3, QXA3/A, QXA6, QXA6/A, QXB1, QXB1/A, QXC2, QXC2/A, QXE1, QXE1/A, QXE4, QXE4/A, QXE5, QXE5/A, QXE7, QXE7/A, QXE8, QXE8/A, QXF, QXF/A, QXF3, QXF4, QXF4/A, QXF6, QXF6/A, QXF8, QXF8/A, QXW2, QXW2/A, QXW4, QXW4/A, QYA, QYA/A, QYD, QYD/A, QYF, QYF/A, QZB, QZB/A, QZB2, QZB2/A, QZB3, QZB3/A, QZD, QZD/A, QZE3, QZE3/A, QZE4, QZE4/A, QZF1, QZF1/A, QZF2, QZF2/A, QZF8, QZF8/A, SAE1, SAE1/A, SAF1, SAF1/A, SYA, SYA/A, TXF2, TXF2/A, VAB2, VAB2/A, VAB3, VAB3/A, VAF, VAF/A, VAF6, VAF6/A, VDB2, VDB2/A, VDC2, VDC2/A, VEP4, VEP4/A, VXA1, VXA1/A, VXA4, VXA4/A, VXA5, VXA5/A, VXA6, VXA6/A, VXD4, VXD4/A, VXE1, VXE1/A, VXE2, VXE2/A, VXE4, VXE4/A, VXE8, VXE8/A, VXF, VXF/A, VXF4, VXF4/A, VXP2, VXP2/A, VYA1, VYA3, VYA3/A, VYE3, VYE3/A, VZA1, VZE7, VZE7/A, VZE8, VZE8/A	
			-	-	-	-	1		
16	31233-PH9-004	INSULATOR, BRUSH HOLDER .....	-	-	1	-	-	----- QAB, QAB/A, QAB6, QAB6/A, QAD2, QAD2/A, QAF, QAF/A, QAF1, QAF1/A, QAF2, QAF2/A, QAF5, QAF5/A, QAF6, QAF6/A, QAF7, QAF7/A, QAF8, QAF8/A, QAF9, QAF9/A, QAX1, QAX1/A, QDF, QDF/A, QDF6, QDF6/A, QDP2, QDP2/A, QDW, QDW/A, QWA6, QWA6/A, QWF6, QWF6/A, QXA, QXA/A, QXA3, QXA3/A, QXA6, QXA6/A, QXB1, QXB1/A, QXC2, QXC2/A, QXE1, QXE1/A, QXE4, QXE4/A, QXE5, QXE5/A, QXE7, QXE7/A, QXE8, QXE8/A, QXF, QXF/A, QXF3, QXF4, QXF4/A, QXF6, QXF6/A, QXF8, QXF8/A, QXW2, QXW2/A, QXW4, QXW4/A, QYA, QYA/A, QYD, QYD/A, QYF, QYF/A, QZB, QZB/A, QZB2, QZB2/A, QZB3, QZB3/A, QZD, QZD/A, QZE3, QZE3/A, QZE4, QZE4/A, QZF1, QZF1/A, QZF2, QZF2/A, QZF8, QZF8/A, SAE1, SAE1/A, SAF1, SAF1/A, SYA, SYA/A, TXF2, TXF2/A, VAB2, VAB2/A, VAB3, VAB3/A, VAF, VAF/A, VAF6, VAF6/A, VDB2, VDB2/A, VDC2, VDC2/A, VEP4, VEP4/A, VXA1, VXA1/A, VXA4, VXA4/A, VXA5, VXA5/A, VXA6, VXA6/A, VXD4, VXD4/A, VXE1, VXE1/A, VXE2, VXE2/A, VXE4, VXE4/A, VXE8, VXE8/A, VXF, VXF/A, VXF4, VXF4/A, VXP2, VXP2/A, VYA1, VYA3, VYA3/A, VYE3, VYE3/A, VZA1, VZE7, VZE7/A, VZE8, VZE8/A	
			-	-	-	-	1		
17	31234-ZJ1-H01	COVER, TERMINAL .....	-	-	1	-	-	----- QAB, QAB/A, QAB6, QAB6/A, QAD2, QAD2/A, QAF, QAF/A, QAF1, QAF1/A, QAF2, QAF2/A, QAF5, QAF5/A, QAF6, QAF6/A, QAF7, QAF7/A, QAF8, QAF8/A, QAF9, QAF9/A, QAX1, QAX1/A, QDF, QDF/A, QDF6, QDF6/A, QDP2, QDP2/A, QDW, QDW/A, QWA6, QWA6/A, QWF6, QWF6/A, QXA, QXA/A, QXA3, QXA3/A, QXA6, QXA6/A, QXB1, QXB1/A, QXC2, QXC2/A, QXE1, QXE1/A, QXE4, QXE4/A, QXE5, QXE5/A, QXE7, QXE7/A, QXE8, QXE8/A, QXF, QXF/A, QXF3, QXF4, QXF4/A, QXF6, QXF6/A, QXF8, QXF8/A, QXW2, QXW2/A, QXW4, QXW4/A, QYA, QYA/A, QYD, QYD/A, QYF, QYF/A, QZB, QZB/A, QZB2, QZB2/A, QZB3, QZB3/A, QZD, QZD/A, QZE3, QZE3/A, QZE4, QZE4/A, QZF1, QZF1/A, QZF2, QZF2/A, QZF8, QZF8/A, SAE1, SAE1/A, SAF1, SAF1/A, SYA, SYA/A, TXF2, TXF2/A, VAB2, VAB2/A, VAB3, VAB3/A, VAF, VAF/A, VAF6, VAF6/A, VDB2, VDB2/A, VDC2, VDC2/A, VEP4, VEP4/A, VXA1, VXA1/A, VXA4, VXA4/A, VXA5, VXA5/A, VXA6, VXA6/A, VXD4, VXD4/A, VXE1, VXE1/A, VXE2, VXE2/A, VXE4, VXE4/A, VXE8, VXE8/A, VXF, VXF/A, VXF4, VXF4/A, VXP2, VXP2/A, VYA1, VYA3, VYA3/A, VYE3, VYE3/A, VZA1, VZE7, VZE7/A, VZE8, VZE8/A	
			-	-	-	-	1		



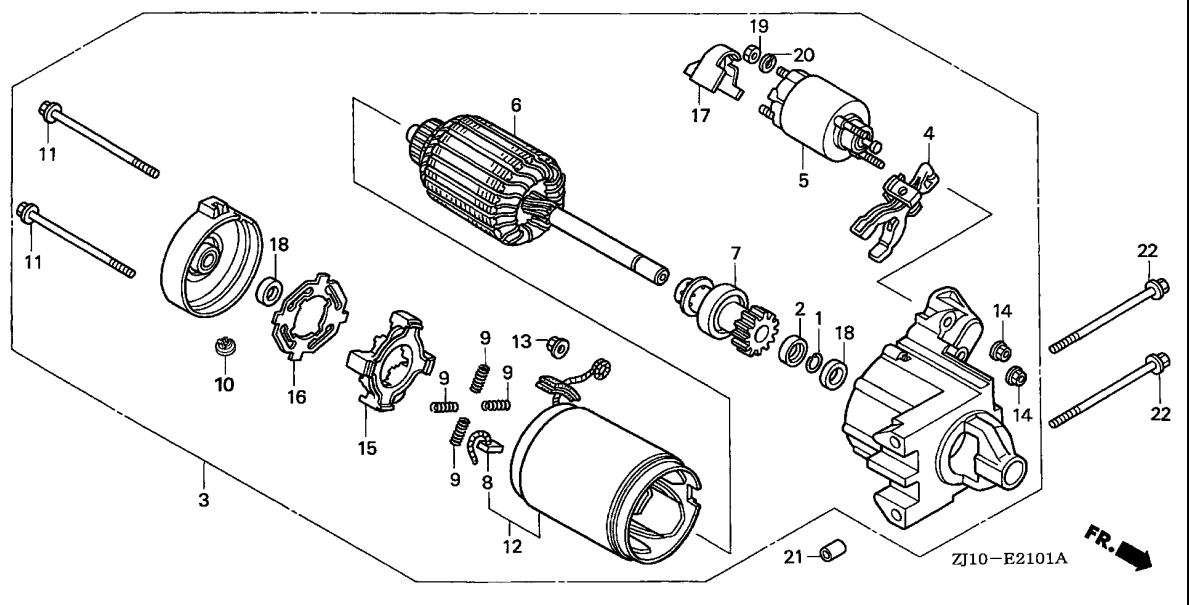




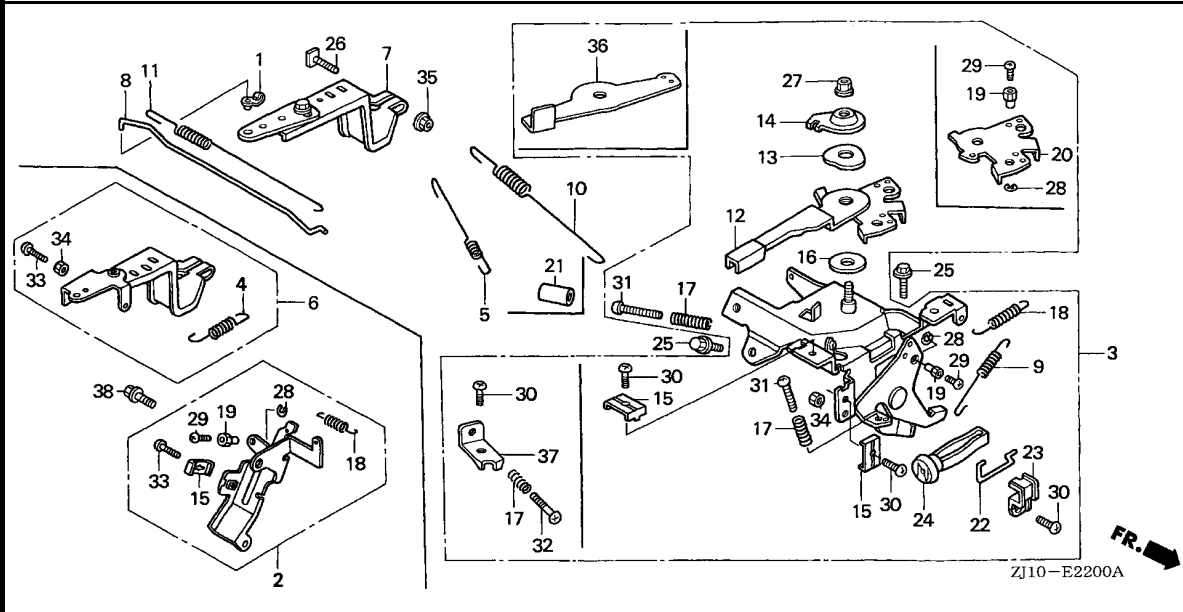
Ref. No.	Part No.	Description	Reqd. QTY					Serial No.	Parts catalogue code
			GX 620	GX 620	GX 620	GX 620	GX 620		
18	91002-ZG4-801	BEARING A .....	-	-	2	-	-	-----	QAB,QAB/A,QAB6,QAB6/A,QAD2,QAD2/A,QAF,QAF/A,QAF1,QAF1/A,QAF2,QAF2/A,QAF5,QAF5/A,QAF6,QAF6/A,QAF7,QAF7/A,QAF8,QAF8/A,QAF9,QAF9/A,QAX1,QAX1/A,QDF,QDF/A,QDF6,QDF6/A,QDP2,QDP2/A,QDW,QDW/A,QWA6,QWA6/A,QWF6,QWF6/A,QXA,QXA/A,QXA3,QXA3/A,QXA6,QXA6/A,QXB1,QXB1/A,QXC2,QXC2/A,QXE1,QXE1/A,QXE4,QXE4/A,QXE5,QXE5/A,QXE7,QXE7/A,QXE8,QXE8/A,QXF,QXF/A,QXF3,QXF3/A,QXF4,QXF4/A,QXF6,QXF6/A,QXF8,QXF8/A,QXW2,QXW2/A,QXW4,QXW4/A,QYA,QYA/A,QYD,QYD/A,QYF,QYF/A,QZB,QZB/A,QZB2,QZB2/A,QZB3,QZB3/A,QZD,QZD/A,QZE3,QZE3/A,QZE4,QZE4/A,QZF1,QZF1/A,QZF2,QZF2/A,QZF8,QZF8/A,SAE1,SAE1/A,SAF1,SAF1/A,SYA,SYA/A,TFX2,TFX2/A,VAB2,VAB2/A,VAB3,VAB3/A,VAF,VAF/A,VAF6,VAF6/A,VDB2,VDB2/A,VDC2,VDC2/A,VEP4,VEP4/A,VXA1,VXA1/A,VXA4,VXA4/A,VXA5,VXA5/A,VXA6,VXA6/A,VXD4,VXD4/A,VXE1,VXE1/A,VXE2,VXE2/A,VXE4,VXE4/A,VXE8,VXE8/A,VXF,VXF/A,VXF4,VXF4/A,VXP2,VXP2/A,VYA1,VYA3,VYA3/A,VYE3,VYE3/A,VZA1,VZE7,VZE7/A,VZE8,VZE8/A
			-	-	2	-	-		

Ref. No.	Part No.	Description	Reqd. QTY					Serial No.	Parts catalogue code
			GX 620	GX 620	GX 620 K1	GX 620	GX 620 K1		
19	94001-08200-0S	NUT, HEX., 8MM .....	(1)	(2)	(1)	(3)	(2)		QAB, QAB/A, QAB6, QAB6/A, QAD2, QAD2/A, QAF, QAF/A, QAF1, QAF1/A, QAF2, QAF2/A, QAF5, QAF5/A, QAF6, QAF6/A, QAF7, QAF7/A, QAF8, QAF8/A, QAF9, QAF9/A, QAX1, QAX1/A, QDF, QDF/A, QDF6, QDF6/A, QDP2, QDP2/A, QDW, QDW/A, QWA6, QWA6/A, QWF6, QWF6/A, QXA, QXA/A, QXA3, QXA3/A, QXA6, QXA6/A, QXB1, QXB1/A, QXC2, QXC2/A, QXE1, QXE1/A, QXE4, QXE4/A, QXE5, QXE5/A, QXE7, QXE7/A, QXE8, QXE8/A, QXF, QXF/A, QXF3, QXF4, QXF4/A, QXF6, QXF6/A, QXF8, QXF8/A, QXW2, QXW2/A, QXW4, QXW4/A, QYA, QYA/A, QYD, QYD/A, QYF, QYF/A, QZB, QZB/A, QZB2, QZB2/A, QZB3, QZB3/A, QZD, QZD/A, QZE3, QZE3/A, QZE4, QZE4/A, QZF1, QZF1/A, QZF2, QZF2/A, QZF8, QZF8/A, SAE1, SAE1/A, SAF1, SAF1/A, SYA, SYA/A, TXF2, TXF2/A, VAB2, VAB2/A, VAB3, VAB3/A, VAF, VAF/A, VAF6, VAF6/A, VDB2, VDB2/A, VDC2, VDC2/A, VEP4, VEP4/A, VXA1, VXA1/A, VXA4, VXA4/A, VXA5, VXA5/A, VXA6, VXA6/A, VXD4, VXD4/A, VXE1, VXE1/A, VXE2, VXE2/A, VXE4, VXE4/A, VXE8, VXE8/A, VXF, VXF/A, VXF4, VXF4/A, VXP2, VXP2/A, VYA1, VYA3, VYA3/A, VYE3, VYE3/A, VZA1, VZE7, VZE7/A, VZE8, VZE8/A
20	94111-08000	WASHER, SPRING, 8MM .....	-	-	-	-	1		QAB, QAB/A, QAB6, QAB6/A, QAD2, QAD2/A, QAF, QAF/A, QAF1, QAF1/A, QAF2, QAF2/A, QAF5, QAF5/A, QAF6, QAF6/A, QAF7, QAF7/A, QAF8, QAF8/A, QAF9, QAF9/A, QAX1, QAX1/A, QDF, QDF/A, QDF6, QDF6/A, QDP2, QDP2/A, QDW, QDW/A, QWA6, QWA6/A, QWF6, QWF6/A, QXA, QXA/A, QXA3, QXA3/A, QXA6, QXA6/A, QXB1, QXB1/A, QXC2, QXC2/A, QXE1, QXE1/A, QXE4, QXE4/A, QXE5, QXE5/A, QXE7, QXE7/A, QXE8, QXE8/A, QXF, QXF/A, QXF3, QXF4, QXF4/A, QXF6, QXF6/A, QXF8, QXF8/A, QXW2, QXW2/A, QXW4, QXW4/A, QYA, QYA/A, QYD, QYD/A, QYF, QYF/A, QZB, QZB/A, QZB2, QZB2/A, QZB3, QZB3/A, QZD, QZD/A, QZE3, QZE3/A, QZE4, QZE4/A, QZF1, QZF1/A, QZF2, QZF2/A, QZF8, QZF8/A, SAE1, SAE1/A, SAF1, SAF1/A, SYA, SYA/A, TXF2, TXF2/A, VAB2, VAB2/A, VAB3, VAB3/A, VAF, VAF/A, VAF6, VAF6/A, VDB2, VDB2/A, VDC2, VDC2/A, VEP4, VEP4/A, VXA1, VXA1/A, VXA4, VXA4/A, VXA5, VXA5/A, VXA6, VXA6/A, VXD4, VXD4/A, VXE1, VXE1/A, VXE2, VXE2/A, VXE4, VXE4/A, VXE8, VXE8/A, VXF, VXF/A, VXF4, VXF4/A, VXP2, VXP2/A, VYA1, VYA3, VYA3/A, VYE3, VYE3/A, VZA1, VZE7, VZE7/A, VZE8, VZE8/A
21	94301-10120	DOWEL PIN, 10X12 .....	-	-	-	-	2		QAB, QAB/A, QAB6, QAB6/A, QAD2, QAD2/A, QAF, QAF/A, QAF1, QAF1/A, QAF2, QAF2/A, QAF5, QAF5/A, QAF6, QAF6/A, QAF7, QAF7/A, QAF8, QAF8/A, QAF9, QAF9/A, QAX1, QAX1/A, QDF, QDF/A, QDF6, QDF6/A, QDP2, QDP2/A, QDW, QDW/A, QWA6, QWA6/A, QWF6, QWF6/A, QXA, QXA/A, QXA3, QXA3/A, QXA6, QXA6/A, QXB1, QXB1/A, QXC2, QXC2/A, QXE1, QXE1/A, QXE4, QXE4/A, QXE5, QXE5/A, QXE7, QXE7/A, QXE8, QXE8/A, QXF, QXF/A, QXF3, QXF4, QXF4/A, QXF6, QXF6/A, QXF8, QXF8/A, QXW2, QXW2/A, QXW4, QXW4/A, QYA, QYA/A, QYD, QYD/A, QYF, QYF/A, QZB, QZB/A, QZB2, QZB2/A, QZB3, QZB3/A, QZD, QZD/A, QZE3, QZE3/A, QZE4, QZE4/A, QZF1, QZF1/A, QZF2, QZF2/A, QZF8, QZF8/A, SAE1, SAE1/A, SAF1, SAF1/A, SYA, SYA/A, TXF2, TXF2/A, VAB2, VAB2/A, VAB3, VAB3/A, VAF, VAF/A, VAF6, VAF6/A, VDB2, VDB2/A, VDC2, VDC2/A, VEP4, VEP4/A, VXA1, VXA1/A, VXA4, VXA4/A, VXA5, VXA5/A, VXA6, VXA6/A, VXD4, VXD4/A, VXE1, VXE1/A, VXE2, VXE2/A, VXE4, VXE4/A, VXE8, VXE8/A, VXF, VXF/A, VXF4, VXF4/A, VXP2, VXP2/A, VYA1, VYA3, VYA3/A, VYE3, VYE3/A, VZA1, VZE7, VZE7/A, VZE8, VZE8/A





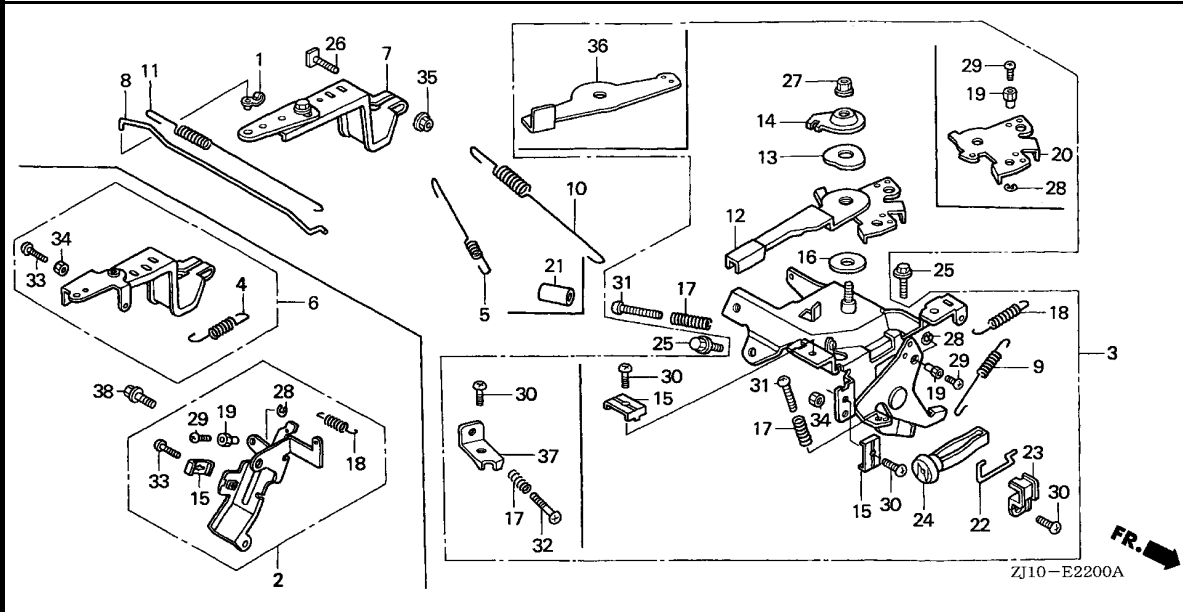
Ref. No.	Part No.	Description	Reqd. QTY					Serial No.	Parts catalogue code
			GX 620	GX 620	GX 620	GX 620	GX 620		
22	95701-08110-00	BOLT, FLANGE, 8X110 .....	-	-	2	-	-	-----	QAB,QAB/A,QAB6,QAB6/A,QAD2,QAD2/A,QAF,QAF/A,QAF1,QAF1/A,QAF2,QAF2/A,QAF5,QAF5/A,QAF6,QAF6/A,QAF7,QAF7/A,QAF8,QAF8/A,QAF9,QAF9/A,QAX1,QAX1/A,QDF,QDF/A,QDF6,QDF6/A,QDP2,QDP2/A,QDW,QDW/A,QWA6,QWA6/A,QWF6,QWF6/A,QXA,QXA/A,QXA3,QXA3/A,QXA6,QXA6/A,QXB1,QXB1/A,QXC2,QXC2/A,QXE1,QXE1/A,QXE4,QXE4/A,QXE5,QXE5/A,QXE7,QXE7/A,QXE8,QXE8/A,QXF,QXF/A,QXF3,QXF3/A,QXF4,QXF4/A,QXF6,QXF6/A,QXF8,QXF8/A,QXW2,QXW2/A,QXW4,QXW4/A,QYA,QYA/A,QYD,QYD/A,QYF,QYF/A,QZB,QZB/A,QZB2,QZB2/A,QZB3,QZB3/A,QZD,QZD/A,QZE3,QZE3/A,QZE4,QZE4/A,QZF1,QZF1/A,QZF2,QZF2/A,QZF8,QZF8/A,SAE1,SAE1/A,SAF1,SAF1/A,SYA,SYA/A,TFX2,TFX2/A,VAB2,VAB2/A,VAB3,VAB3/A,VAF,VAF/A,VAF6,VAF6/A,VDB2,VDB2/A,VDC2,VDC2/A,VEP4,VEP4/A,VXA1,VXA1/A,VXA4,VXA4/A,VXA5,VXA5/A,VXA6,VXA6/A,VXD4,VXD4/A,VXE1,VXE1/A,VXE2,VXE2/A,VXE4,VXE4/A,VXE8,VXE8/A,VXF,VXF/A,VXF4,VXF4/A,VXP2,VXP2/A,VYA1,VYA3,VYA3/A,VYE3,VYE3/A,VZA1,VZE7,VZE7/A,VZE8,VZE8/A
			-	-	2	-	-		



Ref. No.	L.O.N.	(Relative ref. Number) Description	F.R.T.
3	1161A5	CONTROL, THROTTLE/GOVERNOR ...	0.3
5	1161C1	SPRING, STARTER .....	0.2
7		(6)	
	1161A0	ARM, GOVERNOR .....	0.3
8	1161B1	ROD, GOVERNOR .....	0.3
10	1161C5	SPRING, GOVERNOR .....	0.2
11	1161C2	SPRING, THROTTLE RETURN .....	0.2
12		(36)	
	1161A8	LEVER, CONTROL .....	0.2
18	1161B7	SPRING, CABLE RETURN .....	0.1
20	8101Q1	LEVER, CONTROL WIRE .....	0.2
22	8101Q2	ROD, CHOKE CONTROL .....	0.2
24	8101Q0	KNOB, CHOKE .....	0.2

Ref. No.	Part No.	Description	Reqd. QTY					Serial No.	Parts catalogue code
			GX 620 (1)	GX 620 (2)	GX 620 K1 (1)	GX 620 (3)	GX 620 K1 (2)		
1	16263-ZE3-790	JOINT, ROD .....	1	-	-	1	-	QAF1,QAF2,QAF6,QAF7,QAP2,QDA1,QDE1,QDF,QDF4,QDF6,QXA1,QXA3,QXB1,QXE1,QXE3,QXF6,QZX4,VAF,VAFP,VAFU,VAF4,VAF6,VXAP,VXAU,VXA1,VXA3,VXE1,VXE2,VXE4,VXZ4,VYA1,VYA3,VZA1,VZA3,VZD,VZE7,VZE8,VZF1	
2	16265-ZJ1-U80	STAY ASSY., AUTO THROTTLE ...	1	-	-	1	-	VXAP,VXAU,VXA3,VXE2,VZD	
3	16500-ZJ1-V50	CONTROL ASSY. (SEC) .....	1	-	-	1	1024595	VZE7,VZE8	
	16500-ZJ1-000	CONTROL ASSY. ....	1	-	-	1	-	QAF1,QAF2,QAF6,QAF7,QAP2,QDA1,QDE1,QDF,QDF4,QDF6,QXA1,QXA3,QXB1,QXE1,QXE3,QXF6,QZX4,VAF,VAFP,VAFU,VAF4,VAF6,VXA1,VXE1,VXE4,VXZ4,VYA1,VYA3,VZA1,VZA3,VZF1	
			1	-	-	-	1024594	VZE7,VZE8	
	16500-ZJ1-800	CONTROL ASSY. (REMOTE) .....	-	(1)	-	-	-		
	16500-ZJ1-810	.....	-	(1)	-	-	-		
	16500-ZJ1-U80	CONTROL ASSY. ....	1	-	-	1	-	VXAP,VXAU,VXA3,VXE2,VZD	
4	16534-ZJ1-U80	SPRING, RETURN .....	1	-	-	1	-	VXAP,VXAU,VXA3,VXE2,VZD	
5	16534-ZJ1-000	SPRING, STARTER .....	1	-	-	1	-	QAF1,QAF2,QAF6,QAF7,QAP2,QDA1,QDE1,QDF,QDF4,QDF6,QXA1,QXA3,QXB1,QXE1,QXE3,QXF6,QZX4,VAF,VAFP,VAFU,VAF4,VAF6,VXE1,VZF1	
			1	-	-	-	1012399	VXA1	
			-	1	-	-	-		
6	16550-ZJ1-U80	ARM COMP., GOVERNOR .....	1	-	-	1	-	VXAP,VXAU,VXA3,VXE2,VZD	
7	16550-ZJ1-000	ARM COMP., GOVERNOR .....	1	-	-	1	-	QAF1,QAF2,QAF6,QAF7,QAP2,QDA1,QDE1,QDF,QDF4,QDF6,QXA1,QXA3,QXB1,QXE1,QXE3,QXF6,QZX4,VAF,VAFP,VAFU,VAF4,VAF6,VXA1,VXE1,VXE4,VXZ4,VYA1,VYA3,VZA1,VZA3,VZE7,VZE8,VZF1	
			-	1	-	-	-		



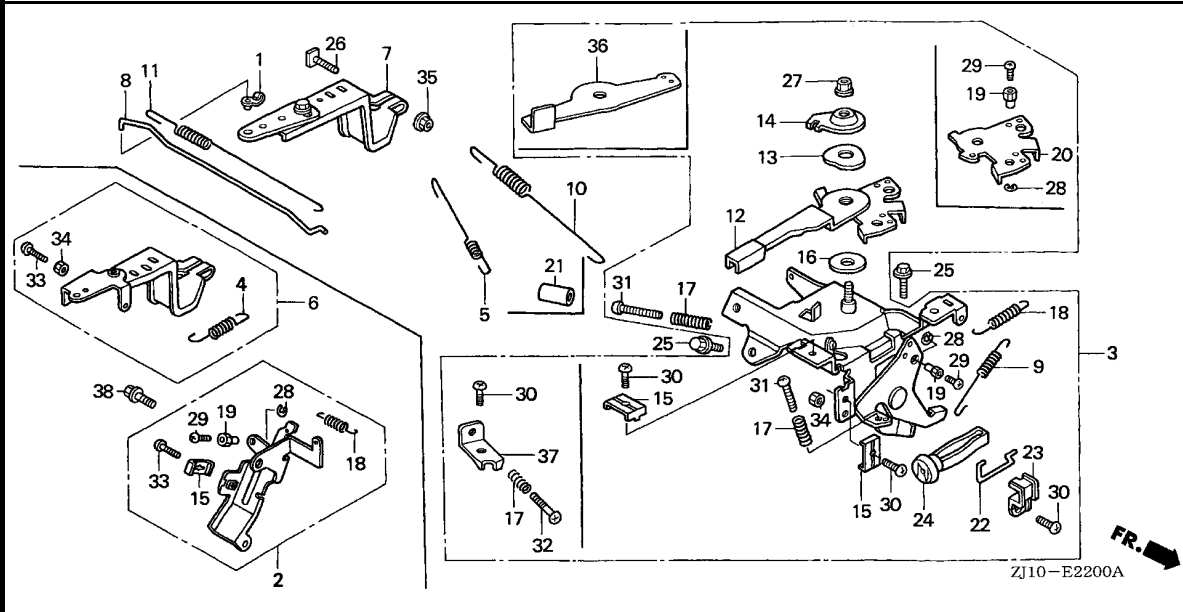


Ref. No.	Part No.	Description	Reqd. QTY					Serial No.	Parts catalogue code
			GX 620 (1)	GX 620 (2)	GX 620 K1 (1)	GX 620 (3)	GX 620 K1 (2)		
8	16555-ZJ1-000	ROD, GOVERNOR .....	1	-	-	1	-	QAF1, QAF2, QAF6, QAF7, QAP2, QDA1, QDE1, QDF, QDF4, QDF6, QXA1, QXA3, QXB1, QXE1, QXE3, QXF6, QZX4, VAF, VAFP, VAFU, VAF4, VAF6, VXAP, VXAU, VXA1, VXA3, VXE1, VXE2, VXE4, VXZ4, VYA1, VYA3, VZA1, VZA3, VZD, VZE7, VZE8, VZF1	
9	16561-ZG1-000	SPRING, GOVERNOR .....	1	-	-	1	-	QAF1, QAF2, QAF6, QAF7, QAP2, QDA1, QDE1, QDF, QDF4, QDF6, QXA1, QXA3, QXB1, QXE1, QXE3, QXF6, QZX4, VAF, VAFP, VAFU, VAF4, VAF6, VXAP, VXAU, VXA1, VXA3, VXE1, VXE2, VXE4, VXZ4, VYA1, VYA3, VZA1, VZA3, VZD, VZF1, VZE7, VZE8	
10	16561-ZJ1-000	SPRING, GOVERNOR .....	1	(1)	-	1	-	QAF1, QAF2, QAF6, QAF7, QAP2, QDA1, QDE1, QDF, QDF4, QDF6, QXA1, QXA3, QXB1, QXE1, QXE3, QXF6, QZX4, VAFP, VAFU, VXAP, VXAU, VXE1, VAF, VAF4, VAF6, VXA1, VXA3, VZF1	
	16561-ZJ1-890	.....	1	-	-	-	1020789	VXE4, VZA1, VZD	
	16561-ZJ1-891	.....	1	-	-	-	1012400 1020789	VAF, VAF4, VAF6, VXA1, VXA3, VZF1	
		.....	1	-	-	-	1020790	VXE2, VXZ4, VYA1, VYA3, VZA3, VZE7, VZE8	
11	16562-ZJ1-000	SPRING, THROTTLE RETURN .....	1	-	-	1	-	VAF, VAF4, VAF6, VXA1, VXA3, VXE4, VZA1, VZD, VZF1	
		.....	-	1	-	-	-	QAF1, QAF2, QAF6, QAF7, QAP2, QDA1, QDE1, QDF, QDF4, QDF6, QXA1, QXA3, QXB1, QXE1, QXE3, QXF6, QZX4, VAF, VAFP, VAFU, VAF4, VAF6, VXAP, VXAU, VXA1, VXA3, VXE1, VXE2, VXE4, VXZ4, VYA1, VYA3, VZA1, VZA3, VZD, VZE7, VZE8, VZF1	

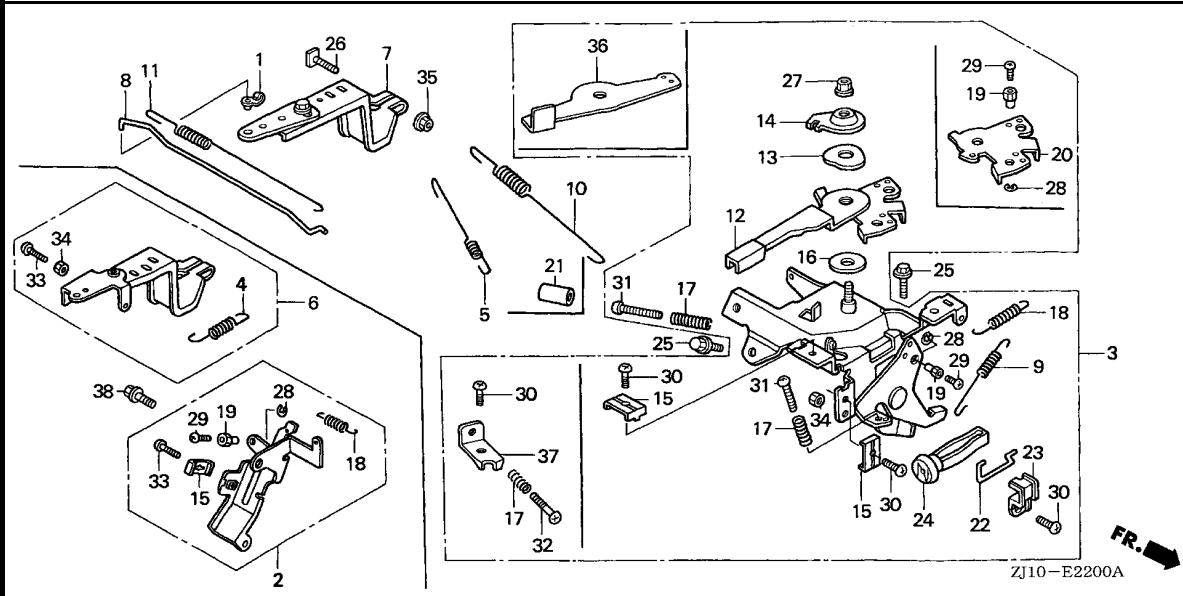


Ref. No.	Part No.	Description	Reqd. QTY					Serial No.	Parts catalogue code
			GX 620	GX 620	GX 620 K1	GX 620	GX 620 K1		
			(1)	(2)	(1)	(3)	(2)		
12	16570-ZJ1-000	LEVER COMP., CONTROL .....	1	-	-	1	-	----- QAF1,QAF2,QAF6,QAF7,QAP2,QDA1,QDE1,QDF,QDF4,QDF6,QXA1,QXA3 QXB1,QXE1,QXE3,QXF6,QZX4,VAF,VAFP,VAFU,VAF4,VAF6,VXAP,VXAU VXA1,VXA3,VXE1,VXE2,VXE4,VXZ4,VYA1,VYA3,VZA1,VZA3,VZF1 ----- 1024594 VZE7,VZE8	
			1	-	-	-	-		
13	16574-ZE1-000	SPRING, LEVER .....	1	-	-	1	-	----- QAF1,QAF2,QAF6,QAF7,QAP2,QDA1,QDE1,QDF,QDF4,QDF6,QXA1,QXA3 QXB1,QXE1,QXE3,QXF6,QZX4,VAF,VAFP,VAFU,VAF4,VAF6,VXAP,VXAU VXA1,VXA3,VXE1,VXE2,VXE4,VXZ4,VYA1,VYA3,VZA1,VZA3,VZD,VZF1 ----- 1024595 VZE7,VZE8	
			1	-	-	-	-		
14	16575-ZH8-000	WASHER, CONTROL LEVER .....	1	-	-	1	-	----- QAF1,QAF2,QAF6,QAF7,QAP2,QDA1,QDE1,QDF,QDF4,QDF6,QXA1,QXA3 QXB1,QXE1,QXE3,QXF6,QZX4,VAF,VAFP,VAFU,VAF4,VAF6,VXAP,VXAU VXA1,VXA3,VXE1,VXE2,VXE4,VXZ4,VYA1,VYA3,VZA1,VZA3,VZD,VZF1 ----- 1024595 VZE7,VZE8	
			1	-	-	-	-		
15	16576-891-000	HOLDER, CABLE .....	1	-	-	1	-	----- VXAP,VXAU,VXA3,VXE2,VZD	
			-	(1)	-	-	-		
16	16578-ZE1-000	SPACER, CONTROL LEVER .....	1	-	-	1	-	----- QAF1,QAF2,QAF6,QAF7,QAP2,QDA1,QDE1,QDF,QDF4,QDF6,QXA1,QXA3 QXB1,QXE1,QXE3,QXF6,QZX4,VAF,VAFP,VAFU,VAF4,VAF6,VXAP,VXAU VXA1,VXA3,VXE1,VXE2,VXE4,VXZ4,VYA1,VYA3,VZA1,VZA3,VZD,VZF1 ----- 1024595 VZE7,VZE8	
			1	-	-	-	-		
17	16584-883-300	SPRING, CONTROL ADJUSTING ...	2	-	-	2	-	----- QAF1,QAF2,QAF6,QAF7,QAP2,QDA1,QDE1,QDF,QDF4,QDF6,QXA1,QXA3 QXB1,QXE1,QXE3,QXF6,QZX4,VAF,VAFP,VAFU,VAF4,VAF6,VXAP,VXAU VXA1,VXA3,VXE1,VXE2,VXE4,VXZ4,VYA1,VYA3,VZA1,VZA3,VZD,VZF1 ----- 1024595 VZE7,VZE8	
			2	-	-	-	-		
18	16592-ZJ1-000	SPRING, CABLE RETURN .....	1	-	-	1	-	----- VXAP,VXAU,VXA3,VXE2,VZD	
			-	(1)	-	-	-		
19	16594-883-010	HOLDER, WIRE .....	2	-	-	2	-	----- VXAP,VXAU,VXA3,VXE2,VZD	
			-	(2)	-	-	-		
20	16596-ZJ1-000	LEVER, WIRE .....	-	(1)	-	-	-		
21	16599-ZG1-M10	COLLAR, STOPPER .....	(1)	-	-	-	-	----- QDF4,QZX4,VAF4,VXE4,VXZ4,VZF1	
22	16628-ZJ1-000	ROD, CHOKE KNOB .....	1	-	-	1	-	----- QAF1,QAF2,QAF6,QAF7,QAP2,QDA1,QDE1,QDF,QDF4,QDF6,QXA1,QXA3 QXB1,QXE1,QXE3,QXF6,QZX4,VAF,VAFP,VAFU,VAF4,VAF6,VXAP,VXAU VXA1,VXA3,VXE1,VXE2,VXE4,VXZ4,VYA1,VYA3,VZA1,VZA3,VZD,VZF1 ----- 1024594 VZE7,VZE8	
			1	-	-	-	-		
23	16649-ZJ1-000	HOLDER, CHOKE KNOB .....	1	-	-	1	-	----- QAF1,QAF2,QAF6,QAF7,QAP2,QDA1,QDE1,QDF,QDF4,QDF6,QXA1,QXA3 QXB1,QXE1,QXE3,QXF6,QZX4,VAF,VAFP,VAFU,VAF4,VAF6,VXAP,VXAU VXA1,VXA3,VXE1,VXE2,VXE4,VXZ4,VYA1,VYA3,VZA1,VZA3,VZD,VZF1 ----- 1024594 VZE7,VZE8	
			1	-	-	-	-		
24	17951-ZG1-000	KNOB, CHOKE .....	1	-	-	1	-	----- QAF1,QAF2,QAF6,QAF7,QAP2,QDA1,QDE1,QDF,QDF4,QDF6,QXA1,QXA3 QXB1,QXE1,QXE3,QXF6,QZX4,VAF,VAFP,VAFU,VAF4,VAF6,VXAP,VXAU VXA1,VXA3,VXE1,VXE2,VXE4,VXZ4,VYA1,VYA3,VZA1,VZA3,VZD,VZF1 ----- 1024594 VZE7,VZE8	
			1	-	-	-	-		
25	90013-883-000	BOLT, FLANGE, 6X12(CT200) ...	2	-	-	2	-	----- QAF1,QAF2,QAF6,QAF7,QAP2,QDA1,QDE1,QDF,QDF4,QDF6,QXA1,QXA3 QXB1,QXE1,QXE3,QXF6,QZX4,VAF,VAFP,VAFU,VAF4,VAF6,VXAP,VXAU VXA1,VXA3,VXE1,VXE2,VXE4,VXZ4,VYA1,VYA3,VZA1,VZA3,VZD,VZF1 ----- 1024594 VZE7,VZE8	
			-	2	-	-	-		





Ref. No.	Part No.	Description	Reqd. QTY					Serial No.	Parts catalogue code
			GX 620 (1)	GX 620 (2)	GX 620 K1 (1)	GX 620 (3)	GX 620 K1 (2)		
26	90015-ZE3-790	BOLT, GOVERNOR ARM .....	1	-	-	1	-	QAF1, QAF2, QAF6, QAF7, QAP2, QDA1, QDE1, QDF, QDF4, QDF6, QXA1, QXA3, QXB1, QXE1, QXE3, QXF6, QZX4, VAF, VAFP, VAFU, VAF4, VAF6, VXAP, VXAU, VXA1, VXA3, VXE1, VXE2, VXE4, VXZ4, VYA1, VYA3, VZA1, VZA3, VZD, VZE7, VZE8, VZF1	
27	90114-SA0-000	NUT, SELF-LOCK, 6MM .....	1	-	-	1	-	QAF1, QAF2, QAF6, QAF7, QAP2, QDA1, QDE1, QDF, QDF4, QDF6, QXA1, QXA3, QXB1, QXE1, QXE3, QXF6, QZX4, VAF, VAFP, VAFU, VAF4, VAF6, VXAP, VXAU, VXA1, VXA3, VXE1, VXE2, VXE4, VXZ4, VYA1, VYA3, VZA1, VZA3, VZD, VZF1, VZE7, VZE8	
28	90605-230-000	CIRCLIP, 5MM .....	2	(1)	-	2	-	VXAP, VXAU, VXA3, VXE2, VZD	
29	93500-04006-0H	SCREW, PAN, 4X6 .....	2	(2)	-	2	-	VXAP, VXAU, VXA3, VXE2, VZD	
30	93500-05012-0H	SCREW, PAN, 5X12 .....	1	(2)	-	1	-	QAF1, QAF2, QAF6, QAF7, QAP2, QDA1, QDE1, QDF, QDF4, QDF6, QXA1, QXA3, QXB1, QXE1, QXE3, QXF6, QZX4, VAF, VAFP, VAFU, VAF4, VAF6, VXA1, VXE1, VXE4, VXZ4, VYA1, VYA3, VZA1, VZA3, VZF1, VZE7, VZE8	
	93500-05016-0A	SCREW, PAN, 5X16 .....	2	(1)	-	2	-	VXAP, VXAU, VXA3, VXE2, VZD, VXA3	



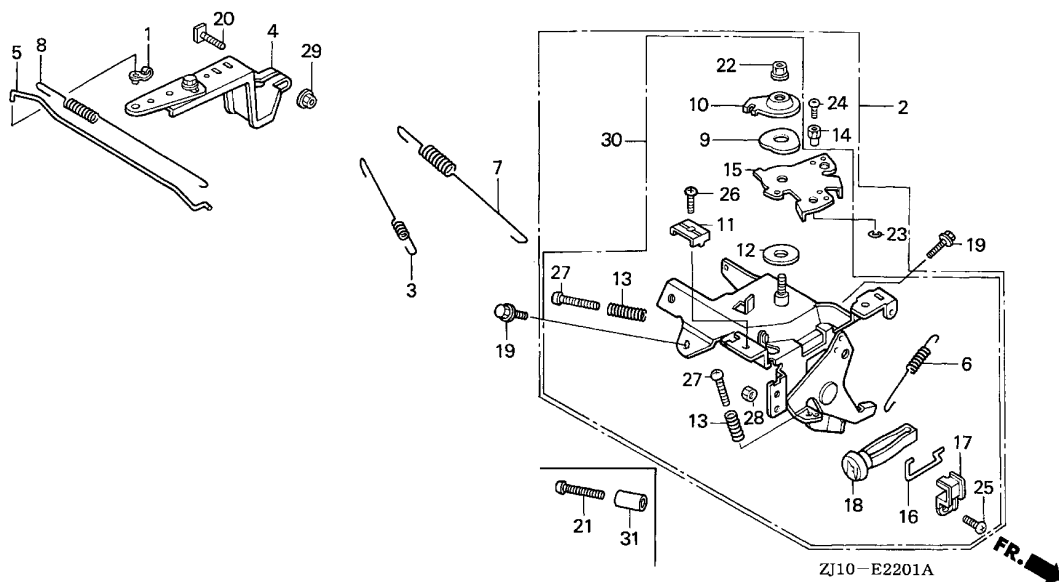
Ref. No.	Part No.	Description	Reqd. QTY					Serial No.	Parts catalogue code
			GX 620 (1)	GX 620 (2)	GX 620 K1 (1)	GX 620 (3)	GX 620 K1 (2)		
31	93500-05025-0H	SCREW, PAN, 5X25	1	-	-	1	-	VXAP, VXAU, VXA3, VXE2, VZD	
			2	-	-	2	-	QAF1, QAF2, QAF6, QAF7, QAP2, QDA1, QDE1, QDF, QDF4, QDF6, QXA1, QXA3	
								QXB1, QXE1, QXE3, QXF6, QZX4, VAF, VAFP, VAFU, VAF4, VAF6, VXA1, VXE1	
								VXE4, VXZ4, VYA1, VYA3, VZA1, VZA3, VZF1	
			2	-	-	-	1024595	VZE7, VZE8	
				(2)	-	-	-		
32	93500-05030-0H	SCREW, PAN, 5X30	1	-	-	-	1019499	VZD	
	93500-05028-0A	SCREW, PAN, 5X28	1	-	-	1	-	VXAP, VXAU, VXA3, VXE2	
			1	-	-	-	1019500	VZD	
33	93500-05016-0A	SCREW, PAN, 5X16	2	-	-	2	-	VXAP, VXAU, VXA3, VXE2, VZD	
34	94001-05000-0S	NUT, HEX., 5MM	1	-	-	1	-	QAF1, QAF2, QAF6, QAF7, QAP2, QDA1, QDE1, QDF, QDF4, QDF6, QXA1, QXA3	
								QXB1, QXE1, QXE3, QXF6, QZX4, VAF, VAFP, VAFU, VAF4, VAF6, VXA1, VXE1	
								VXE4, VXZ4, VYA1, VYA3, VZA1, VZA3, VZF1	
			1	-	-	-	1024594	VZE7, VZE8	
			2	-	-	2	-	VXAP, VXAU, VXA3, VXE2, VZD	
				(1)	-	-	-		
35	94050-06000	NUT, FLANGE, 6MM	1	-	-	1	-	QAF1, QAF2, QAF6, QAF7, QAP2, QDA1, QDE1, QDF, QDF4, QDF6, QXA1, QXA3	
								QXB1, QXE1, QXE3, QXF6, QZX4, VAF, VAFP, VAFU, VAF4, VAF6, VXAP, VXAU	
								VXA1, VXA3, VXE1, VXE2, VXE4, VXZ4, VYA1, VYA3, VZA1, VZA3, VZD, VZE7	
								VZE8, VZF1	
			-	1	-	-	-		
36	16571-ZJ1-U80	LEVER, CONTROL	1	-	-	1	-	VXAP, VXAU, VXA3, VXE2, VZD	
			1	-	-	-	1024595	VZE7, VZE8	
37	16577-ZJ1-U80	STOPPER, CONTROL LEVER	1	-	-	1	-	VXAP, VXAU, VXA3, VXE2, VZD	
			1	-	-	-	1024595	VZE7, VZE8	
38	95701-08016-00	BOLT, FLANGE, 8X16	1	-	-	1	-	VXAP, VXAU, VXE2	



E-22-1

CONTROL(2)

2-B 8

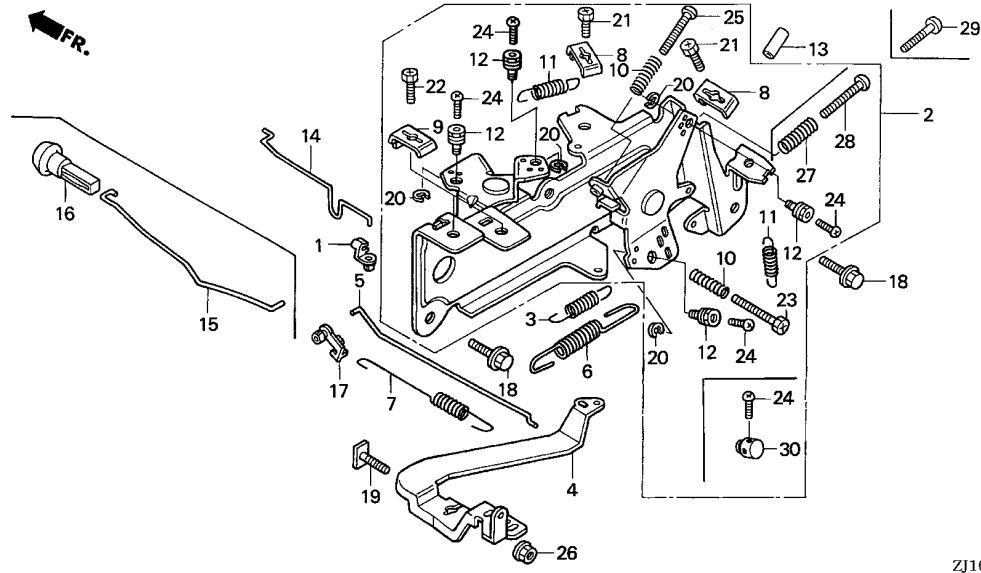


Ref. No.	L.O.N.	(Relative ref. Number) Description	F.R.T.
2	1161A5	CONTROL, THROTTLE/GOVERNOR ...	0.3
3	1161C1	SPRING, STARTER .....	0.2
4	1161A0	ARM, GOVERNOR .....	0.3
5	1161B1	ROD, GOVERNOR .....	0.3
7		(6)	
	1161C5	SPRING, GOVERNOR .....	0.2
8	1161C2	SPRING, THROTTLE RETURN .....	0.2
15	8101Q1	LEVER, CONTROL WIRE .....	0.2
16	8101Q2	ROD, CHOKE CONTROL .....	0.2
18	8101Q0	KNOB, CHOKE .....	0.2

Ref. No.	Part No.	Description	Reqd. QTY					Serial No.	Parts catalogue code
			GX 620 (1)	GX 620 (2)	GX 620 K1 (1)	GX 620 (3)	GX 620 K1 (2)		
1	16263-ZE3-790	JOINT, ROD .....	1	-	-	-	-	QAF3,QZZ,SAF1	
2	16500-ZJ1-820	CONTROL ASSY. ....	1	(1)	-	-	-	QAF3,QZZ,SAF1	
3	16534-ZJ1-000	SPRING, STARTER .....	1	-	-	-	-	QAF3,QZZ,SAF1	
4	16550-ZJ1-000	ARM COMP., GOVERNOR .....	1	-	-	-	-	QAF3,QZZ,SAF1	
5	16555-ZJ1-000	ROD, GOVERNOR .....	1	-	-	-	-	QAF3,QZZ,SAF1	
6	16561-ZG1-000	SPRING, GOVERNOR .....	1	-	-	-	-	QAF3,QZZ,SAF1	
7	16561-ZJ1-000	SPRING, GOVERNOR .....	1	-	-	-	-	QAF3,QZZ,SAF1	
8	16562-ZJ1-000	SPRING, THROTTLE RETURN .....	1	-	-	-	-	QAF3,QZZ,SAF1	
9	16574-ZE1-000	SPRING, LEVER .....	1	-	-	-	-	QAF3,QZZ,SAF1	
10	16575-ZH8-000	WASHER, CONTROL LEVER .....	1	-	-	-	-	QAF3,QZZ,SAF1	
11	16576-891-000	HOLDER, CABLE .....	1	-	-	-	-	QAF3,QZZ,SAF1	
12	16578-ZE1-000	SPACER, CONTROL LEVER .....	1	-	-	-	-	QAF3,QZZ,SAF1	
13	16584-883-300	SPRING, CONTROL ADJUSTING ...	2	-	-	-	-	QAF3,QZZ,SAF1	

Ref. No.	Part No.	Description	Reqd. QTY					Serial No.	Parts catalogue code
			GX 620	GX 620	GX 620 K1	GX 620	GX 620 K1		
			(1)	(2)	(1)	(3)	(2)		
14	16594-883-010	HOLDER, WIRE .....	1	-	-	-	-	----- QAF3,QZZ,SAF1	
15	16596-ZJ1-000	LEVER, WIRE .....	1	-	-	-	-	----- QAF3,QZZ,SAF1	
			-	(1)	-	-	-		
16	16628-ZJ1-000	ROD, CHOKE KNOB .....	1	-	-	-	-	----- QAF3,QZZ,SAF1	
			-	(1)	-	-	-		
17	16649-ZJ1-000	HOLDER, CHOKE KNOB .....	1	-	-	-	-	----- QAF3,QZZ,SAF1	
			-	(1)	-	-	-		
18	17951-ZG1-000	KNOB, CHOKE .....	1	-	-	-	-	----- QAF3,QZZ,SAF1	
			-	(1)	-	-	-		
19	90013-883-000	BOLT, FLANGE, 6X12(CT200) ...	2	-	-	-	-	----- QAF3,QZZ,SAF1	
			-	(2)	-	-	-		
20	90015-ZE3-790	BOLT, GOVERNOR ARM .....	1	-	-	-	-	----- QAF3,QZZ,SAF1	
			-	(1)	-	-	-		
21	90016-ZG9-N30	SCREW, RECESSED, 5X25 .....	(1)	-	-	-	1007428	----- QAF3	
22	90114-SAO-000	NUT, SELF-LOCK, 6MM .....	1	-	-	-	-	----- QAF3,QZZ,SAF1	
			-	(1)	-	-	-		
23	90605-230-000	CIRCLIP, 5MM .....	1	-	-	-	-	----- QAF3,QZZ,SAF1	
			-	(1)	-	-	-		
24	93500-04006-OH	SCREW, PAN, 4X6 .....	1	-	-	-	-	----- QAF3,QZZ,SAF1	
			-	(1)	-	-	-		
25	93500-05012-OH	SCREW, PAN, 5X12 .....	1	-	-	-	-	----- QAF3,QZZ,SAF1	
			-	(1)	-	-	-		
26	93500-05016-OA	SCREW, PAN, 5X16 .....	1	-	-	-	-	----- QAF3,QZZ,SAF1	
			-	(1)	-	-	-		
27	93500-05025-OH	SCREW, PAN, 5X25 .....	2	-	-	-	-	----- QAF3,QZZ,SAF1	
			-	(2)	-	-	-		
28	94001-05000-OS	NUT, HEX., 5MM .....	1	-	-	-	-	----- QAF3,QZZ,SAF1	
			-	(1)	-	-	-		
29	94050-06000	NUT, FLANGE, 6MM .....	1	-	-	-	-	----- QAF3,QZZ,SAF1	
			-	(1)	-	-	-		
30	16500-ZJ1-830	CONTROL ASSY. ....	-	(1)	-	-	-		
31	16599-ZG1-M10	COLLAR, STOPPER .....	(1)	-	-	-	1007428	----- QAF3	
			-	(1)	-	-	-		





ZJ10-E2202D

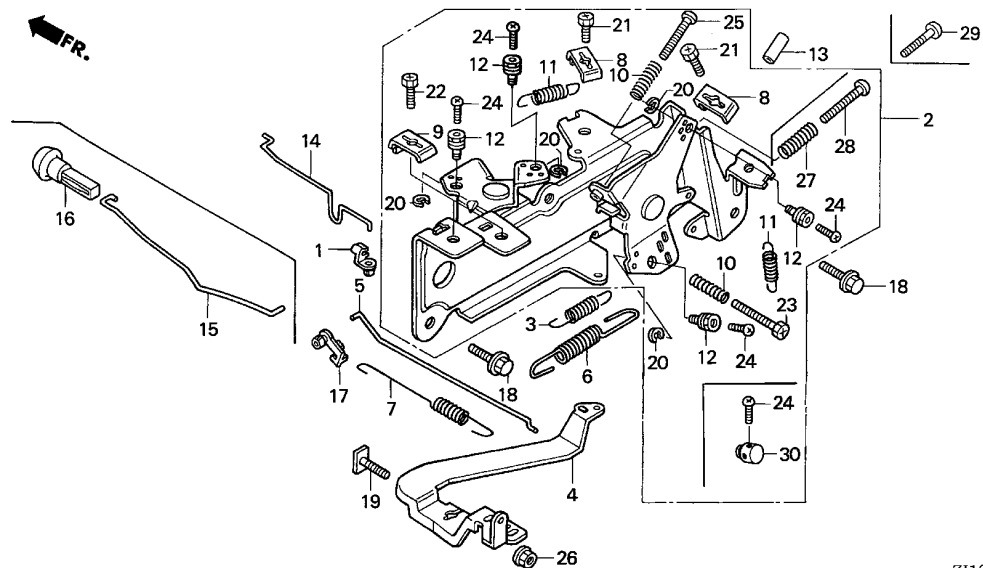
Ref. No.	L.O.N.	(Relative ref. Number) Description	F.R.T.
2	1161A5	CONTROL, THROTTLE/GOVERNOR ...	0.4
3	1161C1	SPRING, STARTER .....	0.1
4	1161A0	ARM, GOVERNOR .....	0.3
5	1161B1	ROD, GOVERNOR .....	0.3
6	1161C5	SPRING, GOVERNOR .....	0.1
7	1161C2	SPRING, THROTTLE RETURN .....	0.2
11	1161B7	SPRING, CABLE RETURN .....	0.1
14	8101R5	ROD, GOVERNOR CHOKE CONTROL ..	0.2
15	8101Q2	ROD, CHOKE CONTROL .....	0.2
16	8101Q0	KNOB, CHOKE .....	0.2



Ref. No.	Part No.	Description	Reqd. QTY					Serial No.	Parts catalogue code
			GX 620	GX 620	GX 620	GX 620	GX 620		
1	16263-883-W10	JOINT, ROD .....	-	-	1	-	-	-----	QAB, QAB/A, QAB6, QAB6/A, QAD2, QAD2/A, QAF, QAF/A, QAF5, QAF5/A, QAF8, QAF8/A, QDP2, QDP2/A, QDW, QDW/A, QWA6, QWA6/A, QXA, QXA/A, QXA6, QXA6/A, QXE4, QXE4/A, QXE7, QXE7/A, QXF, QXF/A, QXF3, QXW2, QXW2/A, QXW4, QXW4/A, QYA, QYA/A, QYD, QYD/A, QYF, QYF/A, QZD, QZD/A, QZE3, QZE3/A, SAE1, SAE1/A, SAF1, SAF1/A, SYA, SYA/A, TXF2, TXF2/A, VAB2, VAB2/A, VXE8, VXE8/A, VXF4, VXF4/A, VZE7, VZE7/A, VZE8, VZE8/A
2	16500-ZJ1-840	CONTROL ASSY. ....	-	-	1	-	-	-----	QAB, QAB/A, QAB6, QAB6/A, QWA6, QWA6/A, QXA, QXA/A, QXA6, QXA6/A, QXF3, QYA, QYA/A, TXF2, TXF2/A
	16500-ZJ1-871	.....	-	-	1	-	-	-----	QXE4, QXE4/A, QXE7, QXE7/A, QXF, QXF/A, QXW2, QXW2/A, QXW4, QXW4/A, QZD, QZD/A
	16500-ZJ1-900	CONTROL ASSY. (AUTO THROTTLE) .....	-	-	1	-	-	2001252	SAF1
	16500-ZJ1-861	CONTROL ASSY. ....	-	-	1	-	1	-----	VZE7, VZE7/A, VZE8, VZE8/A
	16500-ZJ1-880	.....	-	-	1	-	-	-----	QAF, QAF/A, QAF5, QAF5/A, QAF8, QAF8/A, QDW, QDW/A, QYF, QYF/A, QZE3, QZE3/A, SAE1, SAE1/A, VAB2, VAB2/A, VXC1, VXC1/A, VXE8, VXE8/A, VXF4, VXF4/A
	16500-ZJ1-P00	.....	-	-	1	-	-	2001253	SAF1/A
	16500-ZJ1-R50	.....	-	-	1	-	-	-----	SAF1
	16500-ZJ1-910	.....	-	-	1	-	-	-----	QAD2, QAD2/A
3	16534-ZJ1-840	SPRING, STARTER .....	-	-	1	-	-	-----	SYA, SYA/A
								-----	QDP2, QDP2/A, QYD, QYD/A
								-----	QAB, QAB/A, QAB6, QAB6/A, QAD2, QAD2/A, QAF, QAF/A, QAF5, QAF5/A, QAF8, QAF8/A, QDP2, QDP2/A, QDW, QDW/A, QWA6, QWA6/A, QXA, QXA/A, QXA6, QXA6/A, QXE4, QXE4/A, QXE7, QXE7/A, QXF, QXF/A, QXF3, QXW2, QXW2/A, QXW4, QXW4/A, QYA, QYA/A, QYD, QYD/A, QYF, QYF/A, QZD, QZD/A, QZE3, QZE3/A, SAE1, SAE1/A, SAF1, SAF1/A, SYA, SYA/A, TXF2, TXF2/A, VAB2, VAB2/A, VXE8, VXE8/A, VXF4, VXF4/A, VZE7, VZE7/A, VZE8, VZE8/A

Ref. No.	Part No.	Description	Reqd. QTY					Serial No.	Parts catalogue code
			GX 620	GX 620	GX 620 K1	GX 620	GX 620 K1		
			(1)	(2)	(1)	(3)	(2)		
4	16551-ZJ1-840	ARM, GOVERNOR .....	-	-	1	-	1	-----	QAB, QAB/A, QAB6, QAB6/A, QAD2, QAD2/A, QAF, QAF/A, QAF5, QAF5/A, QAF8, QAF8/A, QDP2, QDP2/A, QDW, QDW/A, QWA6, QWA6/A, QXA, QXA/A, QXA6, QXA6/A, QXE4, QXE4/A, QXE7, QXE7/A, QXF, QXF/A, QXF3, QXW2, QXW2/A, QXW4, QXW4/A, QYA, QYA/A, QYD, QYD/A, QYF, QYF/A, QZD, QZD/A, QZE3, QZE3/A, SAE1, SAE1/A, SAF1, SAF1/A, SYA, SYA/A, TXF2, TXF2/A, VAB2, VAB2/A, VXC1, VXC1/A, VXE8, VXE8/A, VXF4, VXF4/A, VZE7, VZE7/A, VZE8, VZE8/A
5	16555-ZJ1-840	ROD, GOVERNOR .....	-	-	1	-	-	-----	QAB, QAB/A, QAB6, QAB6/A, QAD2, QAD2/A, QAF, QAF/A, QAF5, QAF5/A, QAF8, QAF8/A, QDP2, QDP2/A, QDW, QDW/A, QWA6, QWA6/A, QXA, QXA/A, QXA6, QXA6/A, QXE4, QXE4/A, QXE7, QXE7/A, QXF, QXF/A, QXF3, QXW2, QXW2/A, QXW4, QXW4/A, QYA, QYA/A, QYD, QYD/A, QYF, QYF/A, QZD, QZD/A, QZE3, QZE3/A, SAE1, SAE1/A, SAF1, SAF1/A, SYA, SYA/A, TXF2, TXF2/A, VAB2, VAB2/A, VXE8, VXE8/A, VXF4, VXF4/A, VZE7, VZE7/A, VZE8, VZE8/A
	16555-ZN2-000	.....	-	-	-	-	1	-----	VXC1, VXC1/A
6	16561-ZJ1-850	SPRING, GOVERNOR (MANUAL) ...	-	-	1	-	-	-----	VZE8, VZE8/A
	16561-ZJ1-860	.....	-	-	1	-	-	-----	VZE7, VZE7/A
	16561-ZJ4-830	SPRING, GOVERNOR .....	-	-	1	-	-	-----	QAB, QAB/A, QAB6, QAB6/A, QAD2, QAD2/A, QAF, QAF/A, QAF5, QAF5/A, QAF8, QAF8/A, QDP2, QDP2/A, QDW, QDW/A, QWA6, QWA6/A, QXA, QXA/A, QXA6, QXA6/A, QXE4, QXE4/A, QXE7, QXE7/A, QXF, QXF/A, QXF3, QXW2, QXW2/A, QXW4, QXW4/A, QYA, QYA/A, QYD, QYD/A, QYF, QYF/A, QZD, QZD/A, QZE3, QZE3/A, SAE1, SAE1/A, SAF1, SAF1/A, SYA, SYA/A, TXF2, TXF2/A, VAB2, VAB2/A, VXE8, VXE8/A, VXF4, VXF4/A
	16561-ZJ1-R50	.....	-	-	1	-	-	-----	SYA, SYA/A
	16561-ZN1-000	.....	-	-	-	-	1	-----	VXC1, VXC1/A
7	16562-ZJ1-840	SPRING, THROTTLE RETURN .....	-	-	1	-	-	-----	QAB, QAB/A, QAB6, QAB6/A, QAD2, QAD2/A, QAF, QAF/A, QAF5, QAF5/A, QAF8, QAF8/A, QDP2, QDP2/A, QDW, QDW/A, QWA6, QWA6/A, QXA, QXA/A, QXA6, QXA6/A, QXE4, QXE4/A, QXE7, QXE7/A, QXF, QXF/A, QXF3, QXW2, QXW2/A, QXW4, QXW4/A, QYA, QYA/A, QYD, QYD/A, QYF, QYF/A, QZD, QZD/A, QZE3, QZE3/A, SAE1, SAE1/A, SAF1, SAF1/A, SYA, SYA/A, TXF2, TXF2/A, VAB2, VAB2/A, VXE8, VXE8/A, VXF4, VXF4/A, VZE7, VZE7/A, VZE8, VZE8/A
	16562-ZN2-010	.....	-	-	-	-	1	-----	VXC1, VXC1/A
8	16576-891-000	HOLDER, CABLE .....	-	-	1	-	-	-----	QXE4, QXE4/A, QXE7, QXE7/A, QXF, QXF/A, QXW2, QXW2/A, QXW4, QXW4/A, QZD, QZD/A, SAF1, SAF1/A, VZE7, VZE7/A, VZE8, VZE8/A
			-	-	2	-	2	-----	QAF, QAF/A, QAF5, QAF5/A, QAF8, QAF8/A, QDW, QDW/A, QYF, QYF/A, QZE3, QZE3/A, SAE1, SAE1/A, SYA, SYA/A, VAB2, VAB2/A, VXC1, VXC1/A, VXE8, VXE8/A, VXF4, VXF4/A
9	16576-891-000	HOLDER, CABLE .....	-	-	2	-	-	-----	QAB, QAB/A, QAB6, QAB6/A, QAD2, QAD2/A, QDP2, QDP2/A, QWA6, QWA6/A, QXA, QXA/A, QXA6, QXA6/A, QXF3, QYA, QYA/A, QYD, QYD/A, TXF2, TXF2/A
10	16584-883-300	SPRING, CONTROL ADJUSTING ...	-	-	1	-	-	-----	VZE7, VZE7/A, VZE8, VZE8/A
			-	-	2	-	2	-----	QAB, QAB/A, QAB6, QAB6/A, QAD2, QAD2/A, QAF, QAF/A, QAF5, QAF5/A, QAF8, QAF8/A, QDP2, QDP2/A, QDW, QDW/A, QWA6, QWA6/A, QXA, QXA/A, QXA6, QXA6/A, QXE4, QXE4/A, QXE7, QXE7/A, QXF, QXF/A, QXF3, QXW2, QXW2/A, QXW4, QXW4/A, QYA, QYA/A, QYD, QYD/A, QYF, QYF/A, QZD, QZD/A, QZE3, QZE3/A, SAE1, SAE1/A, SAF1, SAF1/A, SYA, SYA/A, TXF2, TXF2/A, VAB2, VAB2/A, VXC1, VXC1/A, VXE8, VXE8/A, VXF4, VXF4/A
11	16592-ZJ1-000	SPRING, CABLE RETURN .....	-	-	1	-	-	-----	QXE4, QXE4/A, QXE7, QXE7/A, QXF, QXF/A, QXW2, QXW2/A, QXW4, QXW4/A, QZD, QZD/A, SAF1, SAF1/A, VZE7, VZE7/A, VZE8, VZE8/A
			-	-	2	-	2	-----	QAB, QAB/A, QAB6, QAB6/A, QAD2, QAD2/A, QAF, QAF/A, QAF5, QAF5/A, QAF8, QAF8/A, QDP2, QDP2/A, QDW, QDW/A, QWA6, QWA6/A, QXA, QXA/A, QXA6, QXA6/A, QXF3, QYA, QYA/A, QYD, QYD/A, QYF, QYF/A, QZE3, QZE3/A, SAE1, SAE1/A, SYA, SYA/A, TXF2, TXF2/A, VAB2, VAB2/A, VXC1, VXC1/A, VXE8, VXE8/A, VXF4, VXF4/A
12	16594-883-000	HOLDER, WIRE .....	-	-	1	-	-	-----	VZE7, VZE8





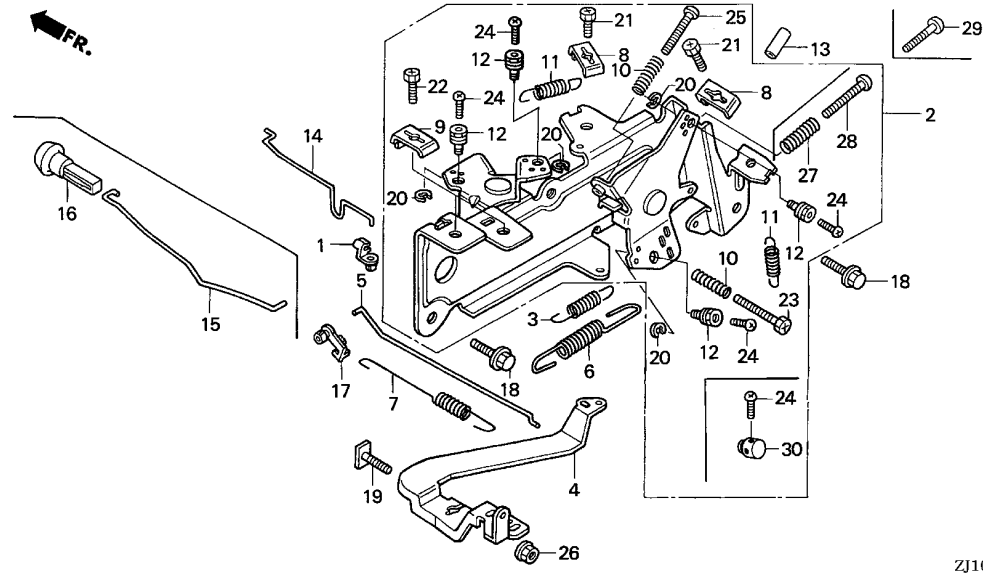
ZJ10-E2202D



Ref. No.	Part No.	Description	Reqd. QTY					Serial No.	Parts catalogue code
			GX 620	GX 620	GX 620	GX 620	GX 620		
			(1)	(2)	(1)	(3)	(1)	(2)	
12)	16594-883-010	HOLDER, WIRE .....	-	-	1	-	-	-	SAE1,SAE1/A,SAF1,SAF1/A,SYA,SYA/A,VAB2,VAB2/A,VZE7/A VZE8/A 2006523 QXF QDP2,QDP2/A,QXF3,QYD,QYD/A,VXC1,VXC1/A 2006523 QAF,QAF5,QAF8,QDW,QYF,QZE3,VXE8,VXF4 QAF/A,QAF5/A,QAF8/A,QDW/A,QYF/A,QZE3/A,VXE8/A,VXF4/A 2006524 QAF,QAF5,QAF8,QDW,QYF,QZE3,VXE8,VXF4
13	16599-ZG1-M10	COLLAR, STOPPER .....	-	-	(1)	-	-	-	QXE4,QXE4/A,QXE7,QXE7/A,QXF,QXF/A,QXW4,QXW4/A,QYD,QYD/A QZE3,QZE3/A,VXE8,VXE8/A,VXF4,VXF4/A
14	16611-ZJ1-840	ROD, CHOKE CONTROL .....	-	-	1	-	-	-	QAB,QAB/A,QAB6,QAB6/A,QAD2,QAD2/A,QAF,QAF/A,QAF5,QAF5/A QAF8,QAF8/A,QDP2,QDP2/A,QDW,QDW/A,QWA6,QWA6/A,QXA,QXA/A QXA6,QXA6/A,QXE4,QXE4/A,QXE7,QXE7/A,QXF,QXF/A,QXF3,QXW2 QXW2/A,QXW4,QXW4/A,QYA,QYA/A,QYD,QYD/A,QYF,QYF/A,QZD,QZD/A QZE3,QZE3/A,SAE1,SAE1/A,SAF1,SAF1/A,SYA,SYA/A,TF2,TF2/A VAB2,VAB2/A,VXE8,VXE8/A,VXF4,VXF4/A,VZE7,VZE7/A,VZE8 VZE8/A
15	16628-ZJ1-850	ROD, CHOKE KNOB .....	-	-	1	-	-	-	QXE4,QXE4/A,QXE7,QXE7/A,QXF,QXF/A,QXW2,QXW2/A,QXW4,QXW4/A QZD,QZD/A,SAF1,SAF1/A
16	17951-921-030	KNOB, CHOKE .....	-	-	1	-	-	-	QXE4,QXE4/A,QXE7,QXE7/A,QXF,QXF/A,QXW2,QXW2/A,QXW4,QXW4/A QZD,QZD/A,SAF1,SAF1/A
17	17957-ZV4-000	BUSH, LINKAGE .....	-	-	1	-	-	-	QXE4,QXE4/A,QXE7,QXE7/A,QXF,QXF/A,QXW2,QXW2/A,QXW4,QXW4/A QZD,QZD/A,SAF1,SAF1/A

Ref. No.	Part No.	Description	Reqd. QTY					Serial No.	Parts catalogue code
			GX 620	GX 620	GX 620 K1	GX 620	GX 620 K1		
			(1)	(2)	(1)	(3)	(2)		
18	90014-952-000	BOLT, FLANGE, 6X14(CT200) ...	-	-	2	-	2	-----	QAB, QAB/A, QAB6, QAB6/A, QAD2, QAD2/A, QAF, QAF/A, QAF5, QAF5/A, QAF8, QAF8/A, QDP2, QDP2/A, QDW, QDW/A, QWA6, QWA6/A, QXA, QXA/A, QXA6, QXA6/A, QXE4, QXE4/A, QXE7, QXE7/A, QXF, QXF/A, QXF3, QXW2, QXW2/A, QXW4, QXW4/A, QYA, QYA/A, QYD, QYD/A, QYF, QYF/A, QZD, QZD/A, QZE3, QZE3/A, SAE1, SAE1/A, SAF1, SAF1/A, SYA, SYA/A, TXF2, TXF2/A, VAB2, VAB2/A, VXC1, VXC1/A, VXE8, VXE8/A, VXF4, VXF4/A, VZE7, VZE7/A, VZE8, VZE8/A
19	90015-ZE3-790	BOLT, GOVERNOR ARM .....	-	-	1	-	1	-----	QAB, QAB/A, QAB6, QAB6/A, QAD2, QAD2/A, QAF, QAF/A, QAF5, QAF5/A, QAF8, QAF8/A, QDP2, QDP2/A, QDW, QDW/A, QWA6, QWA6/A, QXA, QXA/A, QXA6, QXA6/A, QXE4, QXE4/A, QXE7, QXE7/A, QXF, QXF/A, QXF3, QXW2, QXW2/A, QXW4, QXW4/A, QYA, QYA/A, QYD, QYD/A, QYF, QYF/A, QZD, QZD/A, QZE3, QZE3/A, SAE1, SAE1/A, SAF1, SAF1/A, SYA, SYA/A, TXF2, TXF2/A, VAB2, VAB2/A, VXC1, VXC1/A, VXE8, VXE8/A, VXF4, VXF4/A, VZE7, VZE7/A, VZE8, VZE8/A
20	90605-230-000	CIRCLIP, 5MM .....	-	-	1	-	-	-----	QXE4, QXE4/A, QXE7, QXE7/A, QXF, QXF/A, QXW2, QXW2/A, QXW4, QXW4/A, QZD, QZD/A, SAF1, SAF1/A, VZE7, VZE7/A, VZE8, VZE8/A
			-	-	2	-	2	-----	QAD2, QAD2/A, QAF, QAF/A, QAF5, QAF5/A, QAF8, QAF8/A, QDP2, QDP2/A, QDW, QDW/A, QXF3, QYD, QYD/A, QYF, QYF/A, QZE3, QZE3/A, SAE1, SAE1/A, SYA, SYA/A, VAB2, VAB2/A, VXC1, VXC1/A, VXE8, VXE8/A, VXF4, VXF4/A
21	92301-05016-0A	BOLT, RECESSED, 5X16 .....	-	-	1	-	-	-----	QXE4, QXE4/A, QXE7, QXE7/A, QXF, QXF/A, QXW2, QXW2/A, QXW4, QXW4/A, QZD, QZD/A, SAF1, SAF1/A, VZE7, VZE7/A, VZE8, VZE8/A
			-	-	2	-	2	-----	QAF, QAF/A, QAF5, QAF5/A, QAF8, QAF8/A, QDW, QDW/A, QYF, QYF/A, QZE3, QZE3/A, SAE1, SAE1/A, SYA, SYA/A, VAB2, VAB2/A, VXC1, VXC1/A, VXE8, VXE8/A, VXF4, VXF4/A
22	92301-05016-0A	BOLT, RECESSED, 5X16 .....	-	-	2	-	-	-----	QAB, QAB/A, QAB6, QAB6/A, QAD2, QAD2/A, QDP2, QDP2/A, QWA6, QWA6/A, QXA, QXA/A, QXA6, QXA6/A, QXF3, QYA, QYA/A, QYD, QYD/A, TXF2, TXF2/A
23	92301-05025-0A	BOLT, RECESSED, 5X25 .....	-	-	1	-	1	-----	QAB, QAB/A, QAB6, QAB6/A, QAD2, QAD2/A, QAF, QAF/A, QAF5, QAF5/A, QAF8, QAF8/A, QDP2, QDP2/A, QDW, QDW/A, QWA6, QWA6/A, QXA, QXA/A, QXA6, QXA6/A, QXE4, QXE4/A, QXE7, QXE7/A, QXF, QXF/A, QXF3, QXW2, QXW2/A, QXW4, QXW4/A, QYA, QYA/A, QYD, QYD/A, QYF, QYF/A, QZD, QZD/A, QZE3, QZE3/A, SAE1, SAE1/A, SAF1, SAF1/A, SYA, SYA/A, TXF2, TXF2/A, VAB2, VAB2/A, VXC1, VXC1/A, VXE8, VXE8/A, VXF4, VXF4/A, VZE7, VZE7/A, VZE8, VZE8/A
24	92301-04006-0H	BOLT, RECESSED, 4X6 .....	-	-	1	-	-	-----	QXE4, QXE4/A, QXE7, QXE7/A, QXF, QXF/A, QXW2, QXW2/A, QXW4, QXW4/A, QZD, QZD/A, SAF1, SAF1/A, VZE7, VZE7/A, VZE8, VZE8/A
			-	-	2	-	2	-----	QAD2, QAD2/A, QAF, QAF/A, QAF5, QAF5/A, QAF8, QAF8/A, QDP2, QDP2/A, QDW, QDW/A, QYD, QYD/A, QYF, QYF/A, QZE3, QZE3/A, SAE1, SAE1/A, SYA, SYA/A, VAB2, VAB2/A, VXC1, VXC1/A, VXE8, VXE8/A, VXF4, VXF4/A, VZE7, VZE7/A, VZE8, VZE8/A
	93500-04006-0H	SCREW, PAN, 4X6 .....	-	-	2	-	-	-----	QXF3
25	93500-05025-0A	SCREW, PAN, 5X25 .....	-	-	1	-	1	-----	QAB, QAB/A, QAB6, QAB6/A, QAD2, QAD2/A, QAF, QAF/A, QAF5, QAF5/A, QAF8, QAF8/A, QDP2, QDP2/A, QDW, QDW/A, QWA6, QWA6/A, QXA, QXA/A, QXA6, QXA6/A, QXE4, QXE4/A, QXE7, QXE7/A, QXF, QXF/A, QXF3, QXW2, QXW2/A, QXW4, QXW4/A, QYA, QYA/A, QYD, QYD/A, QYF, QYF/A, QZD, QZD/A, QZE3, QZE3/A, SAE1, SAE1/A, SAF1, SAF1/A, TXF2, TXF2/A, VAB2, VAB2/A, VXC1, VXC1/A, VXE8, VXE8/A, VXF4, VXF4/A
	93500-05035-0A	SCREW, PAN, 5X35 .....	-	-	1	-	-	-----	SYA, SYA/A, VZE7, VZE7/A, VZE8, VZE8/A
26	94050-06000	NUT, FLANGE, 6MM .....	-	-	1	-	1	-----	QAB, QAB/A, QAB6, QAB6/A, QAD2, QAD2/A, QAF, QAF/A, QAF5, QAF5/A, QAF8, QAF8/A, QDP2, QDP2/A, QDW, QDW/A, QWA6, QWA6/A, QXA, QXA/A, QXA6, QXA6/A, QXE4, QXE4/A, QXE7, QXE7/A, QXF, QXF/A, QXF3, QXW2, QXW2/A, QXW4, QXW4/A, QYA, QYA/A, QYD, QYD/A, QYF, QYF/A, QZD, QZD/A, QZE3, QZE3/A, SAE1, SAE1/A, SAF1, SAF1/A, SYA, SYA/A, TXF2, TXF2/A, VAB2, VAB2/A, VXC1, VXC1/A, VXE8, VXE8/A, VXF4, VXF4/A, VZE7, VZE7/A, VZE8, VZE8/A
27	16584-883-300	SPRING, CONTROL ADJUSTING ...	-	-	1	-	-	-----	SYA, SYA/A, VZE7, VZE7/A, VZE8, VZE8/A
28	93500-05035-0A	SCREW, PAN, 5X35 .....	-	-	1	-	-	-----	SYA, SYA/A, VZE7, VZE7/A, VZE8, VZE8/A





ZJ10-E2202D

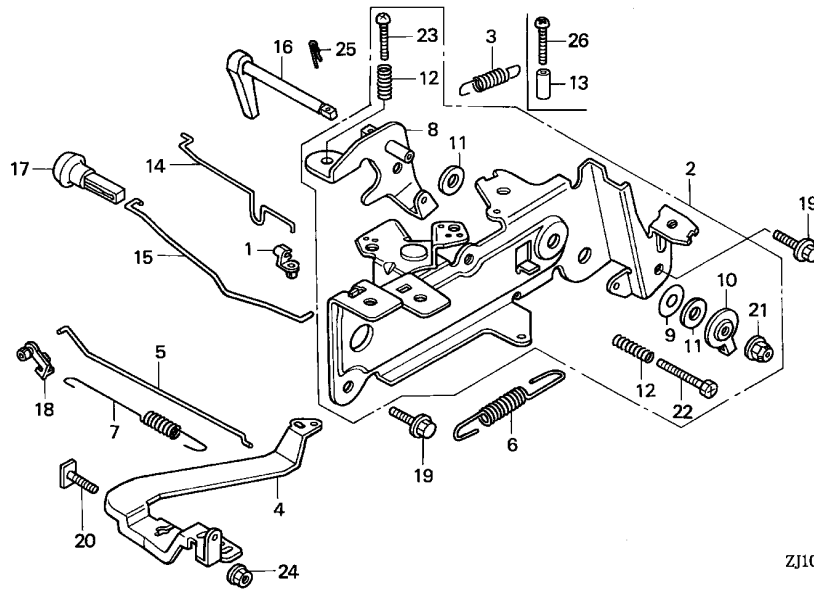
Ref. No.	Part No.	Description	Reqd. QTY					Serial No.	Parts catalogue code
			GX 620	GX 620	GX 620	GX 620	GX 620		
29	90016-ZG9-N30	SCREW, RECESSED, 5X25	-	-	(1)	-	-	-----	QXE4, QXE4/A, QXE7, QXE7/A, QXF, QXF/A, QXW4, QXW4/A, QYD, QYD/A, QZE3, QZE3/A, VXE8, VXE8/A, VXF4, VXF4/A
30	16617-ZJ1-840	HOLDER, CABLE	-	-	1	-	-	-----	QAF/A, QAF5/A, QAF8/A, QDW/A, QXE4, QXE4/A, QXE7, QXE7/A, QXF/A, QXW2, QXW2/A, QXW4, QXW4/A, QYF/A, QZD, QZD/A, QZE3/A, SAE1, SAE1/A, SYA, SYA/A, VAB2, VAB2/A, VXE8/A, VXF4/A
			-	-	1	-	2006524	-----	QAF, QAF5, QAF8, QDW, QXF, QYF, QZE3, VXE8, VXF4
			-	-	2	-	1	-----	QAD2, QAD2/A, VXC1, VXC1/A

E-22-3

CONTROL(4)

2-B15

FR.



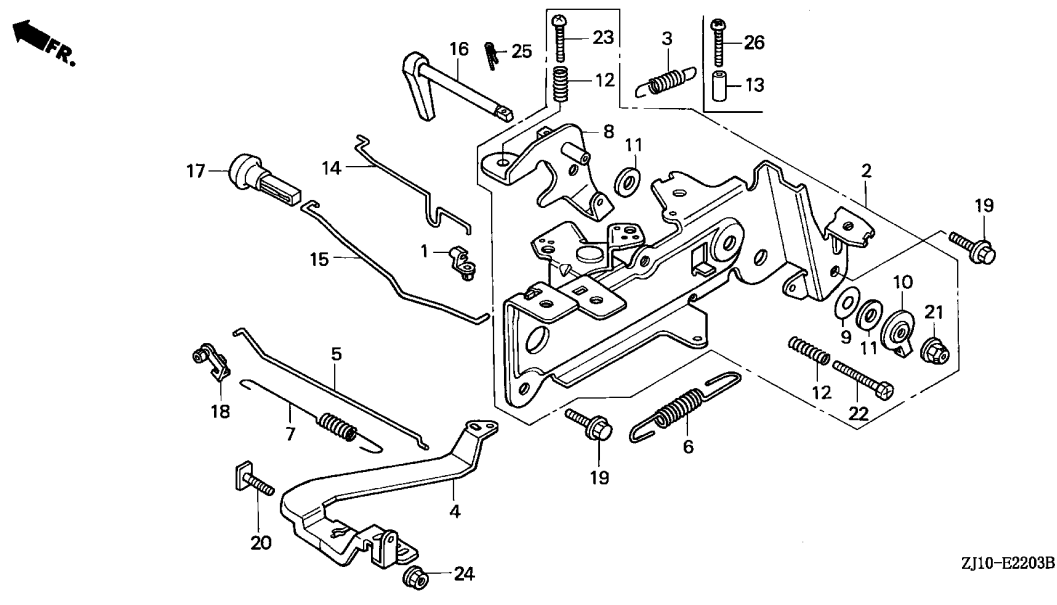
Ref. No.	L.O.N.	(Relative ref. Number) Description	F.R.T.
2	1161A5	CONTROL, THROTTLE/GOVERNOR ...	0.4
3	1161C1	SPRING, STARTER .....	0.1
4	1161A0	ARM, GOVERNOR .....	0.3
5	1161B1	ROD, GOVERNOR .....	0.3
6	1161C5	SPRING, GOVERNOR .....	0.1
7	1161C2	SPRING, THROTTLE RETURN .....	0.2
8	8101Q3	ARM, CONTROL .....	0.3
14	8101R5	ROD, GOVERNOR CHOKE CONTROL ..	0.2
15	8101Q2	ROD, CHOKE CONTROL .....	0.2
16	8101H1	LEVER, THROTTLE .....	0.2
17	8101Q0	KNOB, CHOKE .....	0.2

ZJ10-E2203B

Ref. No.	Part No.	Description	Reqd. QTY					Serial No.	Parts catalogue code
			GX 620	GX 620	GX 620	GX 620	GX 620		
1	16263-883-W10	JOINT, ROD .....	-	-	1	-	-	-----	QAF1, QAF1/A, QAF2, QAF2/A, QAF6, QAF6/A, QAF7, QAF7/A, QAF9, QAF9/A, QAX1, QAX1/A, QDF, QDF/A, QDF6, QDF6/A, QWF6, QWF6/A, QXA3, QXA3/A, QXB1, QXB1/A, QXC2, QXC2/A, QXE1, QXE1/A, QXE5, QXE5/A, QXE8, QXE8/A, QXF4, QXF4/A, QXF6, QXF6/A, QXF8, QXF8/A, QZB, QZB/A, QZB2, QZB2/A, QZB3, QZB3/A, QZE4, QZE4/A, QZF1, QZF1/A, QZF2, QZF2/A, QZF8, QZF8/A, QZX1, QZX1/A, QZX4, QZX4/A, QZX5, QZX5/A, VAF, VAF/A, VAF6, VAF6/A, VEP4, VEP4/A, VXA1, VXA1/A, VXE1, VXE1/A, VXE4, VXE4/A, VXF, VXF/A, VXP2, VXP2/A, VXZ4, VXZ4/A, VYA1, VYA3, VYA3/A, VYE3, VYE3/A, VZA1
2	16500-ZJ1-850	CONTROL ASSY. ....	-	-	1	-	-	-----	QAF1, QAF1/A, QAF2, QAF2/A, QAF6, QAF6/A, QAF7, QAF7/A, QAF9, QAF9/A, QAX1, QAX1/A, QDF, QDF/A, QDF6, QDF6/A, QWF6, QWF6/A, QXA3, QXA3/A, QXB1, QXB1/A, QXC2, QXC2/A, QXE1, QXE1/A, QXE5, QXE5/A, QXE8, QXE8/A, QXF4, QXF4/A, QXF6, QXF6/A, QXF8, QXF8/A, QZB, QZB/A, QZB2, QZB2/A, QZB3, QZB3/A, QZE4, QZE4/A, QZF1, QZF1/A, QZF2, QZF2/A, QZF8, QZF8/A, QZX1, QZX1/A, QZX4, QZX4/A, QZX5, QZX5/A, VAF, VAF/A, VAF6, VAF6/A, VEP4, VEP4/A, VXA1, VXA1/A, VXE1, VXE1/A, VXE4, VXE4/A, VXF, VXF/A, VXP2, VXP2/A, VXZ4, VXZ4/A, VYA1, VYA3, VYA3/A, VYE3, VYE3/A, VZA1
3	16534-ZJ1-840	SPRING, STARTER .....	-	-	1	-	-	-----	QAF1, QAF1/A, QAF2, QAF2/A, QAF6, QAF6/A, QAF7, QAF7/A, QAF9, QAF9/A, QAX1, QAX1/A, QDF, QDF/A, QDF6, QDF6/A, QWF6, QWF6/A, QXA3, QXA3/A, QXB1, QXB1/A, QXC2, QXC2/A, QXE1, QXE1/A, QXE5, QXE5/A, QXE8, QXE8/A, QXF4, QXF4/A, QXF6, QXF6/A, QXF8, QXF8/A, QZB, QZB/A, QZB2, QZB2/A, QZB3, QZB3/A, QZE4, QZE4/A, QZF1, QZF1/A, QZF2, QZF2/A, QZF8, QZF8/A, QZX1, QZX1/A, QZX4, QZX4/A, QZX5, QZX5/A, VAF, VAF/A, VAF6, VAF6/A, VEP4, VEP4/A, VXA1, VXA1/A, VXE1, VXE1/A, VXE4, VXE4/A, VXF, VXF/A, VXP2, VXP2/A, VXZ4, VXZ4/A, VYA1, VYA3, VYA3/A, VYE3, VYE3/A, VZA1

2





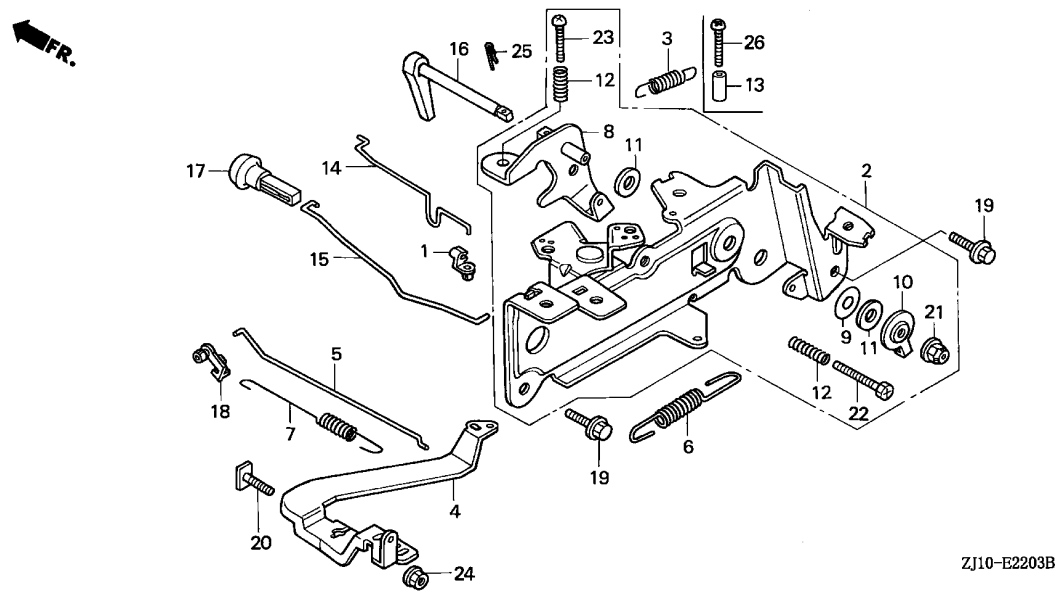
ZJ10-E2203B

Ref. No.	Part No.	Description	Reqd. QTY					Serial No.	Parts catalogue code
			GX 620	GX 620	GX 620	GX 620	GX 620		
4	16551-ZJ1-840	ARM, GOVERNOR .....	-	-	1	-	-	-----	QAF1, QAF1/A, QAF2, QAF2/A, QAF6, QAF6/A, QAF7, QAF7/A, QAF9, QAF9/A, QAX1, QAX1/A, QDF, QDF/A, QDF6, QDF6/A, QWF6, QWF6/A, QXA3, QXA3/A, QXB1, QXB1/A, QXC2, QXC2/A, QXE1, QXE1/A, QXE5, QXE5/A, QXE8, QXE8/A, QXF4, QXF4/A, QXF6, QXF6/A, QXF8, QXF8/A, QZB, QZB/A, QZB2, QZB2/A, QZB3, QZB3/A, QZE4, QZE4/A, QZF1, QZF1/A, QZF2, QZF2/A, QZF8, QZF8/A, QZX1, QZX1/A, QZX4, QZX4/A, QZX5, QZX5/A, VAF, VAF/A, VAF6, VAF6/A, VEP4, VEP4/A, VXA1, VXA1/A, VXE1, VXE1/A, VXE4, VXE4/A, VXF, VXF/A, VXP2, VXP2/A, VXZ4, VXZ4/A, VYA1, VYA3, VYA3/A, VYE3, VYE3/A, VZA1
5	16555-ZJ1-840	ROD, GOVERNOR .....	-	-	1	-	-	-----	QAF1, QAF1/A, QAF2, QAF2/A, QAF6, QAF6/A, QAF7, QAF7/A, QAF9, QAF9/A, QAX1, QAX1/A, QDF, QDF/A, QDF6, QDF6/A, QWF6, QWF6/A, QXA3, QXA3/A, QXB1, QXB1/A, QXC2, QXC2/A, QXE1, QXE1/A, QXE5, QXE5/A, QXE8, QXE8/A, QXF4, QXF4/A, QXF6, QXF6/A, QXF8, QXF8/A, QZB, QZB/A, QZB2, QZB2/A, QZB3, QZB3/A, QZE4, QZE4/A, QZF1, QZF1/A, QZF2, QZF2/A, QZF8, QZF8/A, QZX1, QZX1/A, QZX4, QZX4/A, QZX5, QZX5/A, VAF, VAF/A, VAF6, VAF6/A, VEP4, VEP4/A, VXA1, VXA1/A, VXE1, VXE1/A, VXE4, VXE4/A, VXF, VXF/A, VXP2, VXP2/A, VXZ4, VXZ4/A, VYA1, VYA3, VYA3/A, VYE3, VYE3/A, VZA1
6	16561-ZJ1-850	SPRING, GOVERNOR (MANUAL) ...	-	-	1	-	-	-----	QAF1, QAF1/A, QAF2, QAF2/A, QAF6, QAF6/A, QAF7, QAF7/A, QAF9, QAF9/A, QAX1, QAX1/A, QDF, QDF/A, QDF6, QDF6/A, QWF6, QWF6/A, QXA3, QXA3/A, QXB1, QXB1/A, QXC2, QXC2/A, QXE1, QXE1/A, QXE5, QXE5/A, QXE8, QXE8/A, QXF4, QXF4/A, QXF6, QXF6/A, QXF8, QXF8/A, QZB, QZB/A, QZB2, QZB2/A, QZB3, QZB3/A, QZE4, QZE4/A, QZF1, QZF1/A, QZF2, QZF2/A, QZF8, QZF8/A, QZX1, QZX1/A, QZX4, QZX4/A, QZX5, QZX5/A, VAF, VAF/A, VAF6, VAF6/A, VXA1/A, VXP2, VXP2/A, VYA1
			-	-	1	-	2002685	-----	VXA1
			-	-	1	-	-----	-----	2006507 VXF



Ref. No.	Part No.	Description	Reqd. QTY					Serial No.	Parts catalogue code
			GX 620 (1)	GX 620 (2)	GX 620 K1 (1)	GX 620 (3)	GX 620 K1 (2)		
(6)	16561-ZJ1-860	SPRING, GOVERNOR (MANUAL) ...	-	-	1	-	-	-----	VEP4,VEP4/A,VXE1,VXE1/A,VXE4,VXE4/A,VXF/A,VXZ4,VXZ4/A,VYA3,VYA3/A,VYE3,VYE3/A,VZA1
			-	-	1	-	2006508	-----	VXF
			-	-	1	-	2002684	-----	VXA1
7	16562-ZJ1-840	SPRING, THROTTLE RETURN .....	-	-	1	-	-	-----	QAF1,QAF1/A,QAF2,QAF2/A,QAF6,QAF6/A,QAF7,QAF7/A,QAF9,QAF9/A,QAX1,QAX1/A,QDF,QDF/A,QDF6,QDF6/A,QWF6,QWF6/A,QXA3,QXA3/A,QXB1,QXB1/A,QXC2,QXC2/A,QXE1,QXE1/A,QXE5,QXE5/A,QXE8,QXE8/A,QXF4,QXF4/A,QXF6,QXF6/A,QXF8,QXF8/A,QZB,QZB/A,QZB2,QZB2/A,QZB3,QZB3/A,QZE4,QZE4/A,QZF1,QZF1/A,QZF2,QZF2/A,QZF8,QZF8/A,QZX1,QZX1/A,QZX4,QZX4/A,QZX5,QZX5/A,VAF,VAF/A,VAF6,VAF6/A,VEP4,VEP4/A,VXA1,VXA1/A,VXE1,VXE1/A,VXE4,VXE4/A,VXF,VXF/A,VXP2,VXP2/A,VXZ4,VXZ4/A,VYA1,VYA3,VYA3/A,VYE3,VYE3/A,VZA1
8	16570-ZJ1-850	ARM COMP., CONTROL .....	-	-	1	-	-	-----	QAF1,QAF1/A,QAF2,QAF2/A,QAF6,QAF6/A,QAF7,QAF7/A,QAF9,QAF9/A,QAX1,QAX1/A,QDF,QDF/A,QDF6,QDF6/A,QWF6,QWF6/A,QXA3,QXA3/A,QXB1,QXB1/A,QXC2,QXC2/A,QXE1,QXE1/A,QXE5,QXE5/A,QXE8,QXE8/A,QXF4,QXF4/A,QXF6,QXF6/A,QXF8,QXF8/A,QZB,QZB/A,QZB2,QZB2/A,QZB3,QZB3/A,QZE4,QZE4/A,QZF1,QZF1/A,QZF2,QZF2/A,QZF8,QZF8/A,QZX1,QZX1/A,QZX4,QZX4/A,QZX5,QZX5/A,VAF,VAF/A,VAF6,VAF6/A,VEP4,VEP4/A,VXA1,VXA1/A,VXE1,VXE1/A,VXE4,VXE4/A,VXF,VXF/A,VXP2,VXP2/A,VXZ4,VXZ4/A,VYA1,VYA3,VYA3/A,VYE3,VYE3/A,VZA1
9	16574-883-300	SPRING, LEVER .....	-	-	1	-	-	-----	QAF1,QAF1/A,QAF2,QAF2/A,QAF6,QAF6/A,QAF7,QAF7/A,QAF9,QAF9/A,QAX1,QAX1/A,QDF,QDF/A,QDF6,QDF6/A,QWF6,QWF6/A,QXA3,QXA3/A,QXB1,QXB1/A,QXC2,QXC2/A,QXE1,QXE1/A,QXE5,QXE5/A,QXE8,QXE8/A,QXF4,QXF4/A,QXF6,QXF6/A,QXF8,QXF8/A,QZB,QZB/A,QZB2,QZB2/A,QZB3,QZB3/A,QZE4,QZE4/A,QZF1,QZF1/A,QZF2,QZF2/A,QZF8,QZF8/A,QZX1,QZX1/A,QZX4,QZX4/A,QZX5,QZX5/A,VAF,VAF/A,VAF6,VAF6/A,VEP4,VEP4/A,VXA1,VXA1/A,VXE1,VXE1/A,VXE4,VXE4/A,VXF,VXF/A,VXP2,VXP2/A,VXZ4,VXZ4/A,VYA1,VYA3,VYA3/A,VYE3,VYE3/A,VZA1
10	16575-ZJ1-850	WASHER, CONTROL ARM .....	-	-	1	-	-	-----	QAF1,QAF1/A,QAF2,QAF2/A,QAF6,QAF6/A,QAF7,QAF7/A,QAF9,QAF9/A,QAX1,QAX1/A,QDF,QDF/A,QDF6,QDF6/A,QWF6,QWF6/A,QXA3,QXA3/A,QXB1,QXB1/A,QXC2,QXC2/A,QXE1,QXE1/A,QXE5,QXE5/A,QXE8,QXE8/A,QXF4,QXF4/A,QXF6,QXF6/A,QXF8,QXF8/A,QZB,QZB/A,QZB2,QZB2/A,QZB3,QZB3/A,QZE4,QZE4/A,QZF1,QZF1/A,QZF2,QZF2/A,QZF8,QZF8/A,QZX1,QZX1/A,QZX4,QZX4/A,QZX5,QZX5/A,VAF,VAF/A,VAF6,VAF6/A,VEP4,VEP4/A,VXA1,VXA1/A,VXE1,VXE1/A,VXE4,VXE4/A,VXF,VXF/A,VXP2,VXP2/A,VXZ4,VXZ4/A,VYA1,VYA3,VYA3/A,VYE3,VYE3/A,VZA1
11	16576-883-300	SPACER, CONTROL LEVER .....	-	-	2	-	-	-----	QAF1,QAF1/A,QAF2,QAF2/A,QAF6,QAF6/A,QAF7,QAF7/A,QAF9,QAF9/A,QAX1,QAX1/A,QDF,QDF/A,QDF6,QDF6/A,QWF6,QWF6/A,QXA3,QXA3/A,QXB1,QXB1/A,QXC2,QXC2/A,QXE1,QXE1/A,QXE5,QXE5/A,QXE8,QXE8/A,QXF4,QXF4/A,QXF6,QXF6/A,QXF8,QXF8/A,QZB,QZB/A,QZB2,QZB2/A,QZB3,QZB3/A,QZE4,QZE4/A,QZF1,QZF1/A,QZF2,QZF2/A,QZF8,QZF8/A,QZX1,QZX1/A,QZX4,QZX4/A,QZX5,QZX5/A,VAF,VAF/A,VAF6,VAF6/A,VEP4,VEP4/A,VXA1,VXA1/A,VXE1,VXE1/A,VXE4,VXE4/A,VXF,VXF/A,VXP2,VXP2/A,VXZ4,VXZ4/A,VYA1,VYA3,VYA3/A,VYE3,VYE3/A,VZA1





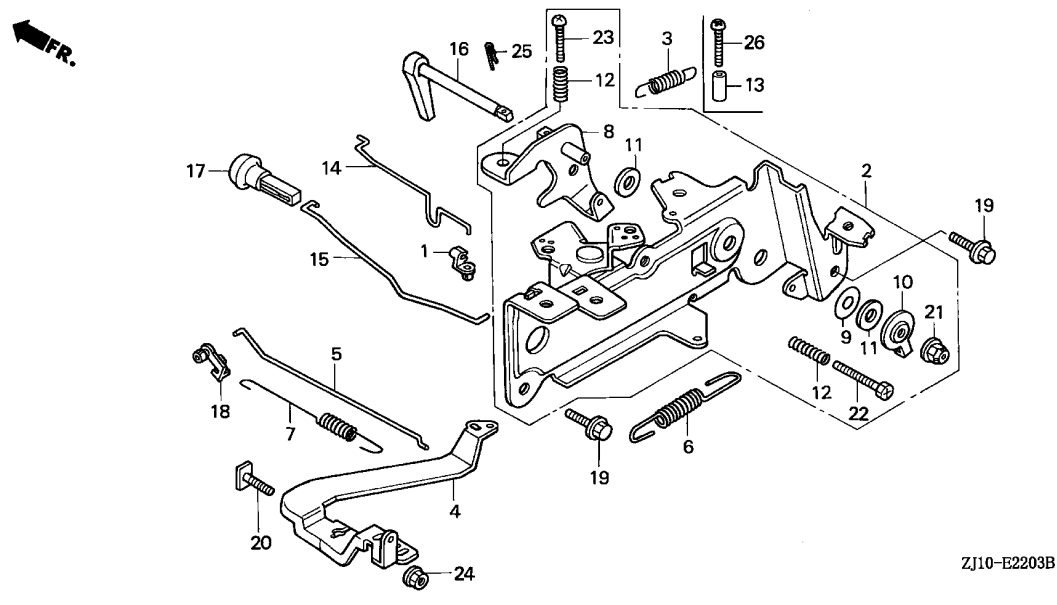
ZJ10-E2203B

Ref. No.	Part No.	Description	Reqd. QTY					Serial No.	Parts catalogue code
			GX 620 (1)	GX 620 (2)	GX 620 K1 (1)	GX 620 (3)	GX 620 K1 (2)		
12	16584-883-300	SPRING, CONTROL ADJUSTING ...	-	-	2	-	-	QAF1, QAF1/A, QAF2, QAF2/A, QAF6, QAF6/A, QAF7, QAF7/A, QAF9, QAF9/A, QAX1, QAX1/A, QDF, QDF/A, QDF6, QDF6/A, QWF6, QWF6/A, QXA3, QXA3/A, QXB1, QXB1/A, QXC2, QXC2/A, QXE1, QXE1/A, QXE5, QXE5/A, QXE8, QXE8/A, QXF4, QXF4/A, QXF6, QXF6/A, QXF8, QXF8/A, QZB, QZB/A, QZB2, QZB2/A, QZB3, QZB3/A, QZE4, QZE4/A, QZF1, QZF1/A, QZF2, QZF2/A, QZF8, QZF8/A, QZX1, QZX1/A, QZX4, QZX4/A, QZX5, QZX5/A, VAF, VAF/A, VAF6, VAF6/A, VEP4, VEP4/A, VXA1, VXA1/A, VXE1, VXE1/A, VXE4, VXE4/A, VXF, VXF/A, VXP2, VXP2/A, VXZ4, VXZ4/A, VYA1, VYA3, VYA3/A, VYE3, VYE3/A, VZA1	
13	16599-ZG1-M10	COLLAR, STOPPER .....	-	-	(1)	-	-	QXE8, QXE8/A, QXF4, QXF4/A, QZE4, QZE4/A, QZX1, QZX1/A, QZX4, QZX4/A, QZX5, QZX5/A, VEP4, VEP4/A, VXE4, VXE4/A, VXF, VXF/A, VXP2, VXP2/A, VXZ4, VXZ4/A	
14	16611-ZJ1-840	ROD, CHOKE CONTROL .....	-	-	1	-	-	QAF1, QAF1/A, QAF2, QAF2/A, QAF6, QAF6/A, QAF7, QAF7/A, QAF9, QAF9/A, QAX1, QAX1/A, QDF, QDF/A, QDF6, QDF6/A, QWF6, QWF6/A, QXA3, QXA3/A, QXB1, QXB1/A, QXC2, QXC2/A, QXE1, QXE1/A, QXE5, QXE5/A, QXE8, QXE8/A, QXF4, QXF4/A, QXF6, QXF6/A, QXF8, QXF8/A, QZB, QZB/A, QZB2, QZB2/A, QZB3, QZB3/A, QZE4, QZE4/A, QZF1, QZF1/A, QZF2, QZF2/A, QZF8, QZF8/A, QZX1, QZX1/A, QZX4, QZX4/A, QZX5, QZX5/A, VAF, VAF/A, VAF6, VAF6/A, VEP4, VEP4/A, VXA1, VXA1/A, VXE1, VXE1/A, VXE4, VXE4/A, VXF, VXF/A, VXP2, VXP2/A, VXZ4, VXZ4/A, VYA1, VYA3, VYA3/A, VYE3, VYE3/A, VZA1	



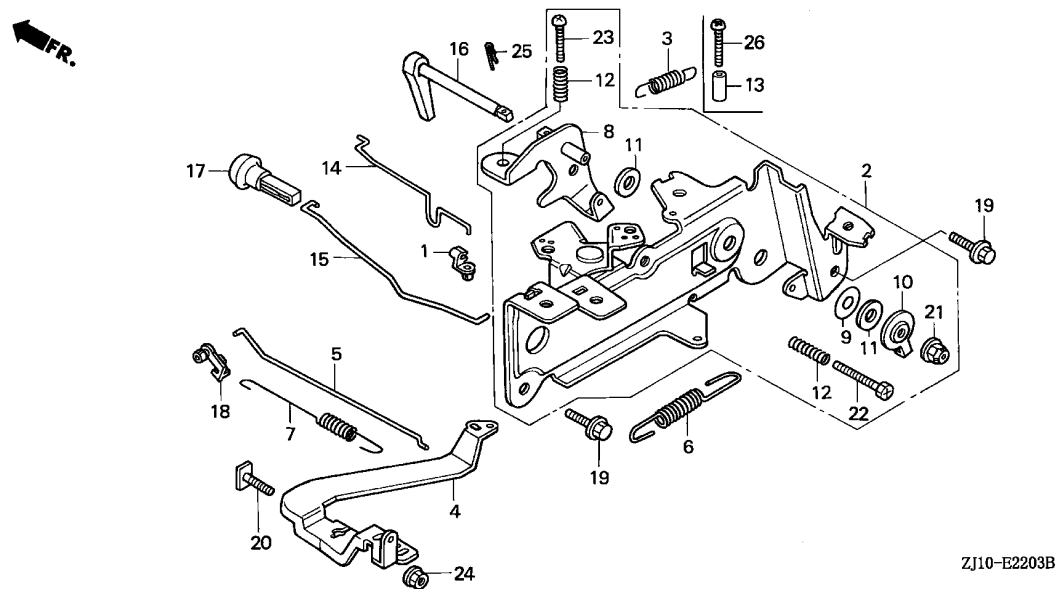
Ref. No.	Part No.	Description	Reqd. QTY					Serial No.	Parts catalogue code
			GX 620	GX 620	GX 620 K1	GX 620	GX 620 K1		
			(1)	(2)	(1)	(3)	(2)		
15	16628-ZJ1-850	ROD, CHOKE KNOB .....	-	-	1	-	-	QAF1, QAF1/A, QAF2, QAF2/A, QAF6, QAF6/A, QAF7, QAF7/A, QAF9 QAF9/A, QAX1, QAX1/A, QDF, QDF/A, QDF6, QDF6/A, QWF6, QWF6/A, QXA3 QXA3/A, QXB1, QXB1/A, QXC2, QXC2/A, QXE1, QXE1/A, QXE5, QXE5/A QXE8, QXE8/A, QXF4, QXF4/A, QXF6, QXF6/A, QXF8, QXF8/A, QZB, QZB/A QZB2, QZB2/A, QZB3, QZB3/A, QZE4, QZE4/A, QZF1, QZF1/A, QZF2 QZF2/A, QZF8, QZF8/A, QZX1, QZX1/A, QZX4, QZX4/A, QZX5, QZX5/A, VAF VAF/A, VAF6, VAF6/A, VEP4, VEP4/A, VXA1, VXA1/A, VXE1, VXE1/A, VXE4 VXE4/A, VXF, VXF/A, VXP2, VXP2/A, VXZ4, VXZ4/A, VYA1, VYA3, VYA3/A VYE3, VYE3/A, VZA1	
16	17850-ZJ1-850	LEVER ASSY., THROTTLE .....	-	-	1	-	-	QAF1, QAF1/A, QAF2, QAF2/A, QAF6, QAF6/A, QAF7, QAF7/A, QAF9 QAF9/A, QAX1, QAX1/A, QDF, QDF/A, QDF6, QDF6/A, QWF6, QWF6/A, QXA3 QXA3/A, QXB1, QXB1/A, QXC2, QXC2/A, QXE1, QXE1/A, QXE5, QXE5/A QXE8, QXE8/A, QXF4, QXF4/A, QXF6, QXF6/A, QXF8, QXF8/A, QZB, QZB/A QZB2, QZB2/A, QZB3, QZB3/A, QZE4, QZE4/A, QZF1, QZF1/A, QZF2 QZF2/A, QZF8, QZF8/A, QZX1, QZX1/A, QZX4, QZX4/A, QZX5, QZX5/A, VAF VAF/A, VAF6, VAF6/A, VEP4, VEP4/A, VXA1, VXA1/A, VXE1, VXE1/A, VXE4 VXE4/A, VXF, VXF/A, VXP2, VXP2/A, VXZ4, VXZ4/A, VYA1, VYA3, VYA3/A VYE3, VYE3/A, VZA1	
17	17951-921-030	KNOB, CHOKE .....	-	-	1	-	-	QAF1, QAF1/A, QAF2, QAF2/A, QAF6, QAF6/A, QAF7, QAF7/A, QAF9 QAF9/A, QAX1, QAX1/A, QDF, QDF/A, QDF6, QDF6/A, QWF6, QWF6/A, QXA3 QXA3/A, QXB1, QXB1/A, QXC2, QXC2/A, QXE1, QXE1/A, QXE5, QXE5/A QXE8, QXE8/A, QXF4, QXF4/A, QXF6, QXF6/A, QXF8, QXF8/A, QZB, QZB/A QZB2, QZB2/A, QZB3, QZB3/A, QZE4, QZE4/A, QZF1, QZF1/A, QZF2 QZF2/A, QZF8, QZF8/A, QZX1, QZX1/A, QZX4, QZX4/A, QZX5, QZX5/A, VAF VAF/A, VAF6, VAF6/A, VEP4, VEP4/A, VXA1, VXA1/A, VXE1, VXE1/A, VXE4 VXE4/A, VXF, VXF/A, VXP2, VXP2/A, VXZ4, VXZ4/A, VYA1, VYA3, VYA3/A VYE3, VYE3/A, VZA1	
18	17957-ZV4-000	BUSH, LINKAGE .....	-	-	1	-	-	QAF1, QAF1/A, QAF2, QAF2/A, QAF6, QAF6/A, QAF7, QAF7/A, QAF9 QAF9/A, QAX1, QAX1/A, QDF, QDF/A, QDF6, QDF6/A, QWF6, QWF6/A, QXA3 QXA3/A, QXB1, QXB1/A, QXC2, QXC2/A, QXE1, QXE1/A, QXE5, QXE5/A QXE8, QXE8/A, QXF4, QXF4/A, QXF6, QXF6/A, QXF8, QXF8/A, QZB, QZB/A QZB2, QZB2/A, QZB3, QZB3/A, QZE4, QZE4/A, QZF1, QZF1/A, QZF2 QZF2/A, QZF8, QZF8/A, QZX1, QZX1/A, QZX4, QZX4/A, QZX5, QZX5/A, VAF VAF/A, VAF6, VAF6/A, VEP4, VEP4/A, VXA1, VXA1/A, VXE1, VXE1/A, VXE4 VXE4/A, VXF, VXF/A, VXP2, VXP2/A, VXZ4, VXZ4/A, VYA1, VYA3, VYA3/A VYE3, VYE3/A, VZA1	
19	90014-952-000	BOLT, FLANGE, 6X14(CT200) ...	-	-	2	-	-	QAF1, QAF1/A, QAF2, QAF2/A, QAF6, QAF6/A, QAF7, QAF7/A, QAF9 QAF9/A, QAX1, QAX1/A, QDF, QDF/A, QDF6, QDF6/A, QWF6, QWF6/A, QXA3 QXA3/A, QXB1, QXB1/A, QXC2, QXC2/A, QXE1, QXE1/A, QXE5, QXE5/A QXE8, QXE8/A, QXF4, QXF4/A, QXF6, QXF6/A, QXF8, QXF8/A, QZB, QZB/A QZB2, QZB2/A, QZB3, QZB3/A, QZE4, QZE4/A, QZF1, QZF1/A, QZF2 QZF2/A, QZF8, QZF8/A, QZX1, QZX1/A, QZX4, QZX4/A, QZX5, QZX5/A, VAF VAF/A, VAF6, VAF6/A, VEP4, VEP4/A, VXA1, VXA1/A, VXE1, VXE1/A, VXE4 VXE4/A, VXF, VXF/A, VXP2, VXP2/A, VXZ4, VXZ4/A, VYA1, VYA3, VYA3/A VYE3, VYE3/A, VZA1	
20	90015-ZE3-790	BOLT, GOVERNOR ARM .....	-	-	1	-	-	QAF1, QAF1/A, QAF2, QAF2/A, QAF6, QAF6/A, QAF7, QAF7/A, QAF9 QAF9/A, QAX1, QAX1/A, QDF, QDF/A, QDF6, QDF6/A, QWF6, QWF6/A, QXA3 QXA3/A, QXB1, QXB1/A, QXC2, QXC2/A, QXE1, QXE1/A, QXE5, QXE5/A QXE8, QXE8/A, QXF4, QXF4/A, QXF6, QXF6/A, QXF8, QXF8/A, QZB, QZB/A QZB2, QZB2/A, QZB3, QZB3/A, QZE4, QZE4/A, QZF1, QZF1/A, QZF2 QZF2/A, QZF8, QZF8/A, QZX1, QZX1/A, QZX4, QZX4/A, QZX5, QZX5/A, VAF VAF/A, VAF6, VAF6/A, VEP4, VEP4/A, VXA1, VXA1/A, VXE1, VXE1/A, VXE4 VXE4/A, VXF, VXF/A, VXP2, VXP2/A, VXZ4, VXZ4/A, VYA1, VYA3, VYA3/A VYE3, VYE3/A, VZA1	



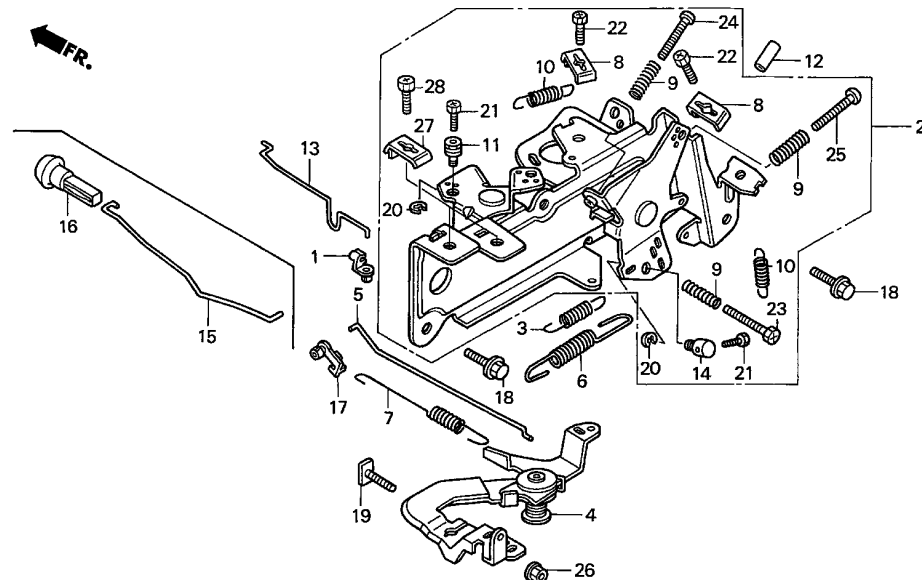


Ref. No.	Part No.	Description	Reqd. QTY					Serial No.	Parts catalogue code
			GX 620	GX 620	GX 620	GX 620	GX 620		
21	90114-SA0-000	NUT, SELF-LOCK, 6MM	-	-	1	-	-	QAF1, QAF1/A, QAF2, QAF2/A, QAF6, QAF6/A, QAF7, QAF7/A, QAF9, QAF9/A, QAX1, QAX1/A, QDF, QDF/A, QDF6, QDF6/A, QWF6, QWF6/A, QXA3, QXA3/A, QXB1, QXB1/A, QXC2, QXC2/A, QXE1, QXE1/A, QXE5, QXE5/A, QXE8, QXE8/A, QXF4, QXF4/A, QXF6, QXF6/A, QXF8, QXF8/A, QZB, QZB/A, QZB2, QZB2/A, QZB3, QZB3/A, QZE4, QZE4/A, QZF1, QZF1/A, QZF2, QZF2/A, QZF8, QZF8/A, QZX1, QZX1/A, QZX4, QZX4/A, QZX5, QZX5/A, VAF, VAF/A, VAF6, VAF6/A, VEP4, VEP4/A, VXA1, VXA1/A, VXE1, VXE1/A, VXE4, VXE4/A, VXF, VXF/A, VXP2, VXP2/A, VXZ4, VXZ4/A, VYA1, VYA3, VYA3/A, VYE3, VYE3/A, VZA1	
22	92301-05025-0A	BOLT, RECESSED, 5X25	-	-	1	-	-	QAF1, QAF1/A, QAF2, QAF2/A, QAF6, QAF6/A, QAF7, QAF7/A, QAF9, QAF9/A, QAX1, QAX1/A, QDF, QDF/A, QDF6, QDF6/A, QWF6, QWF6/A, QXA3, QXA3/A, QXB1, QXB1/A, QXC2, QXC2/A, QXE1, QXE1/A, QXE5, QXE5/A, QXE8, QXE8/A, QXF4, QXF4/A, QXF6, QXF6/A, QXF8, QXF8/A, QZB, QZB/A, QZB2, QZB2/A, QZB3, QZB3/A, QZE4, QZE4/A, QZF1, QZF1/A, QZF2, QZF2/A, QZF8, QZF8/A, QZX1, QZX1/A, QZX4, QZX4/A, QZX5, QZX5/A, VAF, VAF/A, VAF6, VAF6/A, VEP4, VEP4/A, VXA1, VXA1/A, VXE1, VXE1/A, VXE4, VXE4/A, VXF, VXF/A, VXP2, VXP2/A, VXZ4, VXZ4/A, VYA1, VYA3, VYA3/A, VYE3, VYE3/A, VZA1	
23	93500-05025-0A	SCREW, PAN, 5X25	-	-	1	-	-	QAF1, QAF1/A, QAF2, QAF2/A, QAF6, QAF6/A, QAF7, QAF7/A, QAF9, QAF9/A, QAX1, QAX1/A, QDF, QDF/A, QDF6, QDF6/A, QWF6, QWF6/A, QXA3, QXA3/A, QXB1, QXB1/A, QXC2, QXC2/A, QXE1, QXE1/A, QXE5, QXE5/A, QXE8, QXE8/A, QXF4, QXF4/A, QXF6, QXF6/A, QXF8, QXF8/A, QZB, QZB/A, QZB2, QZB2/A, QZB3, QZB3/A, QZE4, QZE4/A, QZF1, QZF1/A, QZF2, QZF2/A, QZF8, QZF8/A, QZX1, QZX1/A, QZX4, QZX4/A, QZX5, QZX5/A, VAF, VAF/A, VAF6, VAF6/A, VEP4, VEP4/A, VXA1, VXA1/A, VXE1, VXE1/A, VXE4, VXE4/A, VXF, VXF/A, VXP2, VXP2/A, VXZ4, VXZ4/A, VYA1, VYA3, VYA3/A, VYE3, VYE3/A, VZA1	





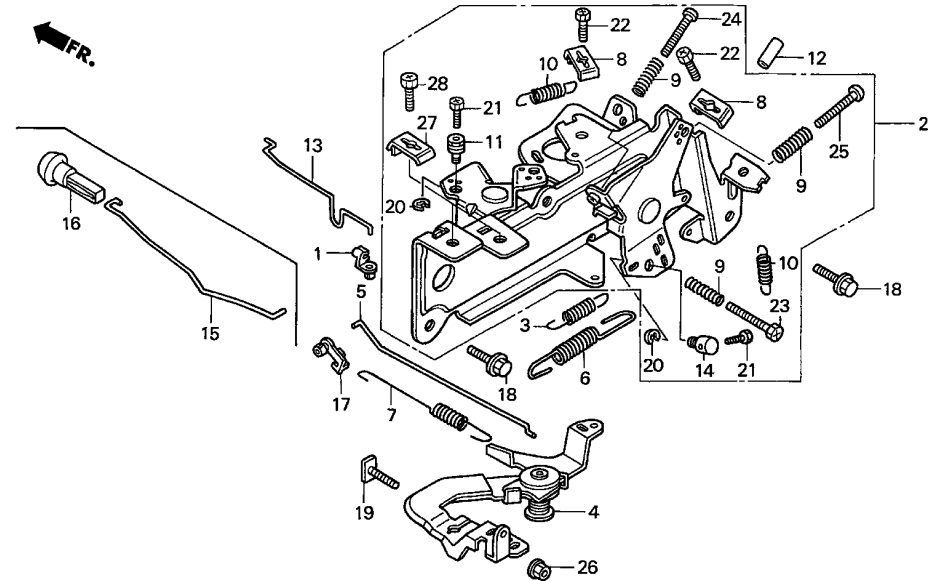
Ref. No.	Part No.	Description	Reqd. QTY					Serial No.	Parts catalogue code
			GX 620 (1)	GX 620 (2)	GX 620 K1 (1)	GX 620 (3)	GX 620 K1 (2)		
24	94050-06000	NUT, FLANGE, 6MM .....	-	-	1	-	-	-----	QAF1, QAF1/A, QAF2, QAF2/A, QAF6, QAF6/A, QAF7, QAF7/A, QAF9, QAF9/A, QAX1, QAX1/A, QDF, QDF/A, QDF6, QDF6/A, QWF6, QWF6/A, QXA3, QXA3/A, QXB1, QXB1/A, QXC2, QXC2/A, QXE1, QXE1/A, QXE5, QXE5/A, QXE8, QXE8/A, QXF4, QXF4/A, QXF6, QXF6/A, QXF8, QXF8/A, QZB, QZB/A, QZB2, QZB2/A, QZB3, QZB3/A, QZE4, QZE4/A, QZF1, QZF1/A, QZF2, QZF2/A, QZF8, QZF8/A, QZX1, QZX1/A, QZX4, QZX4/A, QZX5, QZX5/A, VAF, VAF/A, VAF6, VAF6/A, VEP4, VEP4/A, VXA1, VXA1/A, VXE1, VXE1/A, VXE4, VXE4/A, VXF, VXF/A, VXP2, VXP2/A, VXZ4, VXZ4/A, VYA1, VYA3, VYA3/A, VYE3, VYE3/A, VZA1
25	94251-10000	PIN, LOCK, 10MM .....	-	-	1	-	-	-----	QAF1, QAF1/A, QAF2, QAF2/A, QAF6, QAF6/A, QAF7, QAF7/A, QAF9, QAF9/A, QAX1, QAX1/A, QDF, QDF/A, QDF6, QDF6/A, QWF6, QWF6/A, QXA3, QXA3/A, QXB1, QXB1/A, QXC2, QXC2/A, QXE1, QXE1/A, QXE5, QXE5/A, QXE8, QXE8/A, QXF4, QXF4/A, QXF6, QXF6/A, QXF8, QXF8/A, QZB, QZB/A, QZB2, QZB2/A, QZB3, QZB3/A, QZE4, QZE4/A, QZF1, QZF1/A, QZF2, QZF2/A, QZF8, QZF8/A, QZX1, QZX1/A, QZX4, QZX4/A, QZX5, QZX5/A, VAF, VAF/A, VAF6, VAF6/A, VEP4, VEP4/A, VXA1, VXA1/A, VXE1, VXE1/A, VXE4, VXE4/A, VXF, VXF/A, VXP2, VXP2/A, VXZ4, VXZ4/A, VYA1, VYA3, VYA3/A, VYE3, VYE3/A, VZA1
26	90016-ZG9-N30	SCREW, RECESSED, 5X25 .....	-	-	(1)	-	-	-----	QXE8, QXE8/A, QXF4, QXF4/A, QZE4, QZE4/A, QZX1, QZX1/A, QZX4, QZX4/A, QZX5, QZX5/A, VEP4, VEP4/A, VXE4, VXE4/A, VXF, VXF/A, VXP2, VXP2/A, VXZ4, VXZ4/A



ZJ10-E2204B

Ref. No.	L.O.N.	(Relative ref. Number) Description	F.R.T.
2	1161A5	CONTROL, THROTTLE/GOVERNOR ...	0.4
3	1161C1	SPRING, STARTER .....	0.1
4	1161A0	ARM, GOVERNOR .....	0.3
5	1161B1	ROD, GOVERNOR .....	0.3
6	1161C5	SPRING, GOVERNOR .....	0.1
7	1161C2	SPRING, THROTTLE RETURN .....	0.2
10	1161B7	SPRING, CABLE RETURN .....	0.1
13	8101R5	ROD, GOVERNOR CHOKE CONTROL ..	0.2
15	8101Q2	ROD, CHOKE CONTROL .....	0.2
16	8101Q0	KNOB, CHOKE .....	0.2

Ref. No.	Part No.	Description	Reqd. QTY					Serial No.	Parts catalogue code
			GX 620 (1)	GX 620 (2)	GX 620 K1 (1)	GX 620 (3)	GX 620 K1 (2)		
1	16263-883-W10	JOINT, ROD .....	-	-	1	-	-	VDB2,VDB2/A,VDC2,VDC2/A,VXA4,VXA4/A,VXA5,VXA5/A,VXA6	
2	16500-ZJ1-890	CONTROL ASSY. (AUTO THROTTLE)	-	-	1	-	-	VXA6/A,VXD4,VXD4/A,VXE2,VXE2/A	
	16500-ZJ1-920	.....	-	-	1	-	-	VDB2,VDB2/A,VXA5,VXA5/A,VXA6,VXA6/A,VXD4,VXD4/A,VXE2	
	16500-ZJ1-R30	.....	-	-	1	-	-	VXE2/A	
3	16534-ZJ1-840	SPRING, STARTER .....	-	-	1	-	-	VXA4,VXA4/A	
		.....	-	-	1	-	-	VDC2,VDC2/A	
4	16550-ZJ1-842	ARM COMP., GOVERNOR .....	-	-	1	-	-	VDB2,VDB2/A,VDC2,VDC2/A,VXA4,VXA4/A,VXA5,VXA5/A,VXA6	
		.....	-	-	1	-	-	VXA6/A,VXD4,VXD4/A,VXE2,VXE2/A	
5	16555-ZJ1-840	ROD, GOVERNOR .....	-	-	1	-	-	VDB2,VDB2/A,VDC2,VDC2/A,VXA4,VXA4/A,VXA5,VXA5/A,VXA6	
		.....	-	-	1	-	-	VXA6/A,VXD4,VXD4/A,VXE2,VXE2/A	
6	16561-ZJ1-860	SPRING, GOVERNOR (MANUAL) ...	-	-	1	-	-	VXA5,VXA5/A,VXA6,VXA6/A,VXD4,VXD4/A	
	16561-ZJ4-830	SPRING, GOVERNOR .....	-	-	1	-	-	VXA4,VXA4/A	
	16561-ZJ1-850	SPRING, GOVERNOR (MANUAL) ...	-	-	1	-	-	VDB2,VDB2/A,VDC2,VDC2/A,VXE2,VXE2/A	
7	16562-ZJ1-840	SPRING, THROTTLE RETURN .....	-	-	1	-	-	VDB2,VDB2/A,VDC2,VDC2/A,VXA4,VXA4/A,VXA5,VXA5/A,VXA6	
		.....	-	-	1	-	-	VXA6/A,VXD4,VXD4/A,VXE2,VXE2/A	
8	16576-891-000	HOLDER, CABLE .....	-	-	2	-	-	VXA4,VXA4/A	
9	16584-883-300	SPRING, CONTROL ADJUSTING ...	-	-	2	-	-	VDB2,VDB2/A,VDC2,VDC2/A,VXA4,VXA4/A,VXA5,VXA5/A,VXA6	
		.....	-	-	2	-	-	VXA6/A,VXD4,VXD4/A,VXE2,VXE2/A	
10	16592-ZJ1-000	SPRING, CABLE RETURN .....	-	-	1	-	-	VDC2,VDC2/A	
		.....	-	-	2	-	-	VXA4,VXA4/A	
11	16594-883-010	HOLDER, WIRE .....	-	-	1	-	-	VXA4,VXA4/A	
12	16599-ZG1-M10	COLLAR, STOPPER .....	-	-	(1)	-	-	VXA4,VXA4/A,VXA5,VXA5/A,VXA6,VXA6/A,VXD4,VXD4/A	
13	16611-ZJ1-840	ROD, CHOKE CONTROL .....	-	-	1	-	-	VDB2,VDB2/A,VDC2,VDC2/A,VXA4,VXA4/A,VXA5,VXA5/A,VXA6	
		.....	-	-	1	-	-	VXA6/A,VXD4,VXD4/A,VXE2,VXE2/A	

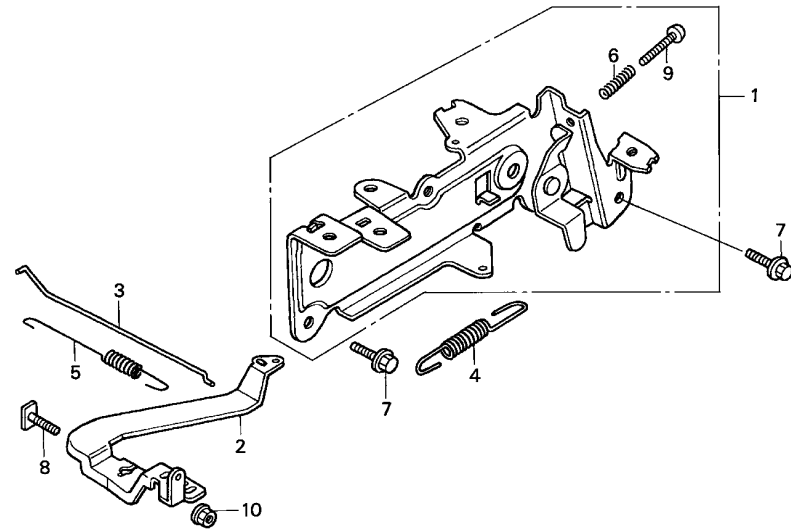


ZJ10-E2204B

Ref. No.	Part No.	Description	Reqd. QTY					Serial No.	Parts catalogue code
			GX 620 (1)	GX 620 (2)	GX 620 K1 (1)	GX 620 (3)	GX 620 K1 (2)		
14	16617-ZJ1-840	HOLDER, CABLE .....	-	-	1	-	-	VXA4, VXA4/A	
15	16628-ZJ1-850	ROD, CHOKE KNOB .....	-	-	1	-	-	VDB2, VDB2/A, VXA5, VXA5/A, VXA6, VXA6/A, VXD4, VXD4/A, VXE2, VXE2/A	
16	17951-921-030	KNOB, CHOKE .....	-	-	1	-	-	VDB2, VDB2/A, VXA5, VXA5/A, VXA6, VXA6/A, VXD4, VXD4/A, VXE2, VXE2/A	
17	17957-ZV4-000	BUSH, LINKAGE .....	-	-	1	-	-	VDB2, VDB2/A, VXA5, VXA5/A, VXA6, VXA6/A, VXD4, VXD4/A, VXE2, VXE2/A	
18	90014-952-000	BOLT, FLANGE, 6X14(CT200) ...	-	-	2	-	-	VDB2, VDB2/A, VDC2, VDC2/A, VXA4, VXA4/A, VXA5, VXA5/A, VXA6, VXA6/A, VXD4, VXD4/A, VXE2, VXE2/A	
19	90015-ZE3-790	BOLT, GOVERNOR ARM .....	-	-	1	-	-	VDB2, VDB2/A, VDC2, VDC2/A, VXA4, VXA4/A, VXA5, VXA5/A, VXA6, VXA6/A, VXD4, VXD4/A, VXE2, VXE2/A	
20	90605-230-000	CIRCLIP, 5MM .....	-	-	2	-	-	VXA4, VXA4/A	
21	92301-04006-0H	BOLT, RECESSED, 4X6 .....	-	-	2	-	-	VXA4, VXA4/A	
22	92301-05016-0A	BOLT, RECESSED, 5X16 .....	-	-	2	-	-	VXA4, VXA4/A	
23	92301-05025-0A	BOLT, RECESSED, 5X25 .....	-	-	1	-	-	VDB2, VDB2/A, VDC2, VDC2/A, VXA4, VXA4/A, VXA5, VXA5/A, VXA6, VXA6/A, VXD4, VXD4/A, VXE2, VXE2/A	
	90016-ZG9-N30	SCREW, RECESSED, 5X25 .....	-	-	(1)	-	-	VXA4, VXA4/A, VXA5, VXA5/A, VXA6, VXA6/A, VXD4, VXD4/A	
24	93500-05025-0A	SCREW, PAN, 5X25 .....	-	-	1	-	-	VXA4, VXA4/A	
25	93500-05035-0A	SCREW, PAN, 5X35 .....	-	-	1	-	-	VDB2, VDB2/A, VDC2, VDC2/A, VXA5, VXA5/A, VXA6, VXA6/A, VXD4, VXD4/A, VXE2, VXE2/A	
26	94050-06000	NUT, FLANGE, 6MM .....	-	-	1	-	-	VDB2, VDB2/A, VDC2, VDC2/A, VXA4, VXA4/A, VXA5, VXA5/A, VXA6, VXA6/A, VXD4, VXD4/A, VXE2, VXE2/A	
27	16576-891-000	HOLDER, CABLE .....	-	-	1	-	-	VDC2, VDC2/A	
28	92301-05016-0A	BOLT, RECESSED, 5X16 .....	-	-	1	-	-	VDC2, VDC2/A	







ZJ10- E2205

Ref. No.	L.O.N.	(Relative ref. Number) Description	F.R.T.
1	1161A5	CONTROL, THROTTLE/GOVERNOR ...	0.4
2	1161A0	ARM, GOVERNOR .....	0.3
3	1161B1	ROD, GOVERNOR .....	0.3
4	1161C5	SPRING, GOVERNOR .....	0.1
5	1161C2	SPRING, THROTTLE RETURN .....	0.2

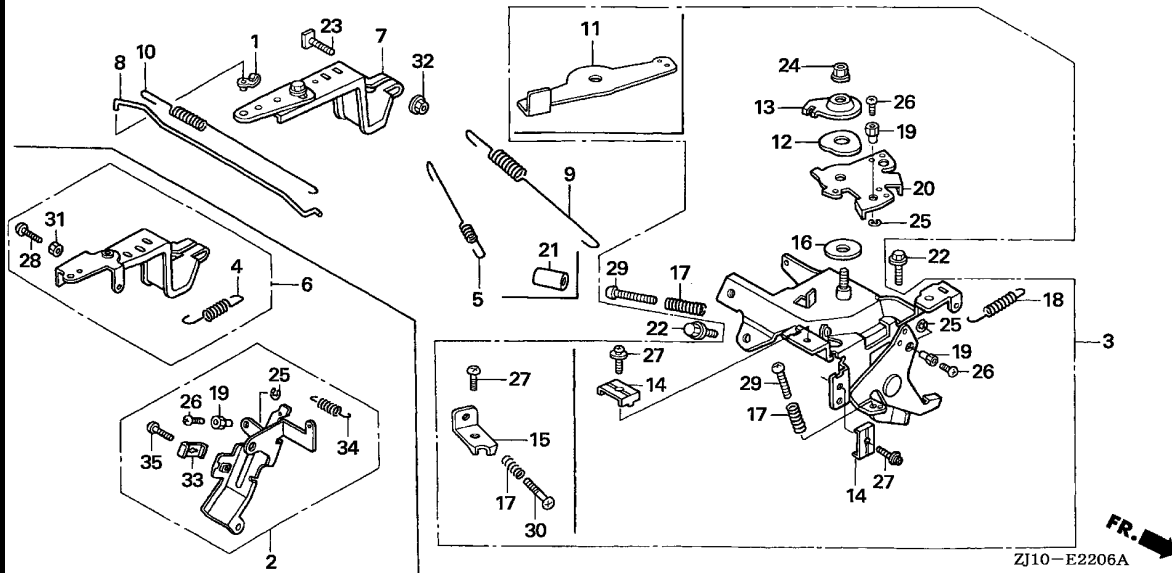
2

Ref. No.	Part No.	Description	Reqd. QTY					Serial No.	Parts catalogue code
			GX 620 (1)	GX 620 (2)	GX 620 K1 (1)	GX 620 (3)	GX 620 K1 (2)		
1	16500-ZJ1-930	CONTROL ASSY. (GENE) .....	-	-	-	-	1	-----	VXC,VXC/A,VXC2,VXC2/A
2	16551-ZJ1-840	ARM, GOVERNOR .....	-	-	-	-	1	-----	VXC,VXC/A,VXC2,VXC2/A
3	16555-ZN2-000	ROD, GOVERNOR .....	-	-	-	-	1	-----	VXC,VXC/A,VXC2,VXC2/A
4	16561-ZN1-820	SPRING, GOVERNOR .....	-	-	-	-	1	-----	1000991 VXC,VXC2
	16561-ZN1-822	.....	-	-	-	-	1	-----	VXC/A,VXC2/A
5	16562-ZN2-010	SPRING, THROTTLE RETURN .....	-	-	-	-	1	-----	VXC,VXC2
								-----	VXC,VXC/A,VXC2,VXC2/A
6	16584-883-300	SPRING, CONTROL ADJUSTING ...	-	-	-	-	1	-----	VXC,VXC/A,VXC2,VXC2/A
7	90014-952-000	BOLT, FLANGE, 6X14(CT200) ...	-	-	-	-	2	-----	VXC,VXC/A,VXC2,VXC2/A
8	90015-ZE3-790	BOLT, GOVERNOR ARM .....	-	-	-	-	1	-----	VXC,VXC/A,VXC2,VXC2/A
9	93500-05035-0A	SCREW, PAN, 5X35 .....	-	-	-	-	1	-----	VXC,VXC/A,VXC2,VXC2/A
10	94050-06000	NUT, FLANGE, 6MM .....	-	-	-	-	1	-----	VXC,VXC/A,VXC2,VXC2/A

E-22-6

CONTROL(7)

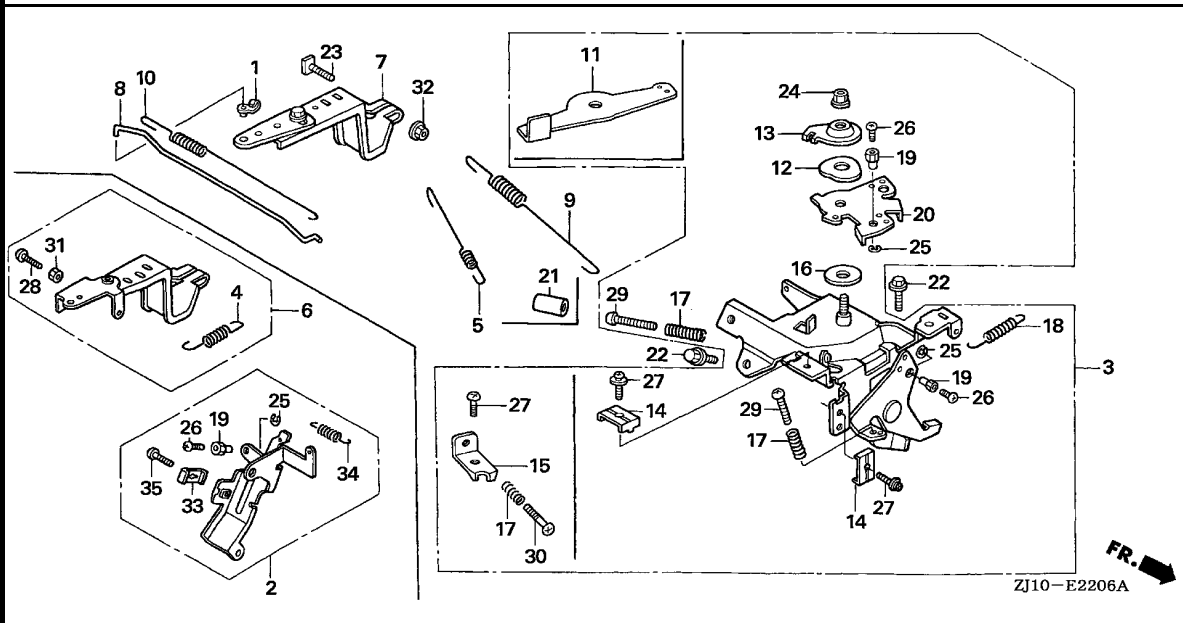
2-C 9



Ref. No.	L.O.N.	(Relative ref. Number) Description	F.R.T.
3	1161A5	CONTROL, THROTTLE/GOVERNOR ...	0.3
5	1161C1	SPRING, STARTER .....	0.2
7		(6)	
	1161A0	ARM, GOVERNOR .....	0.3
8	1161B1	ROD, GOVERNOR .....	0.3
9	1161C5	SPRING, GOVERNOR .....	0.2
10	1161C2	SPRING, THROTTLE RETURN .....	0.2
18	1161B7	SPRING, CABLE RETURN .....	0.1
20	8101Q1	LEVER, CONTROL WIRE .....	0.2

Ref. No.	Part No.	Description	Reqd. QTY					Serial No.	Parts catalogue code
			GX 620	GX 620	GX 620 K1	GX 620 (1)	GX 620 (2)		
1	16263-ZE3-790	JOINT, ROD .....	1	-	-	1	-	QAB, QAB4, QAB6, QAC6, QAF, QAFP, QAFU, QAF4, QAF5, QAF8, QDW, QXA, QXAP, QXAU, QXA4, QXA6, QXC4, QXF1, QXF3, QYA, QYA4, QYF, QYF4, QYF6, SAE1, TXF2, VABP, VXE8, VZE1, VZE5	
2	16265-ZJ1-U80 16265-ZJ1-V50	STAY ASSY., AUTO THROTTLE ... STAY ASSY., AUTO THROTTLE (SEC)	1	-	-	-	1014376	VZE1	
			1	-	-	-	1014377	VZE5	
			1	-	-	-		VZE1	
3	16500-ZJ1-V50 16500-ZJ1-800	CONTROL ASSY. (SEC) .....	1	-	-	-		VZE1, VZE5	
		CONTROL ASSY. (REMOTE) .....	1	-	-	1		QAC6, QAF, QAFP, QAFU, QAF4, QAF5, QAF8, QDW, QYF, QYF4, QYF6, SAE1, VABP, VXE8	
	16500-ZJ1-810	.....	1	-	-	1		QAB, QAB4, QAB6, QXA, QXAP, QXAU, QXA4, QXA6, QXC4, QXF1, QXF3, QYA, QYA4, TXF2	
4	16534-ZJ1-U80	SPRING, RETURN .....	1	-	-	-		VZE1, VZE5	
5	16534-ZJ1-000	SPRING, STARTER .....	1	-	-	1		QAB, QAB4, QAB6, QAC6, QAF, QAFP, QAFU, QAF4, QAF5, QAF8, QDW, QXA, QXAP, QXAU, QXA4, QXA6, QXC4, QXF1, QXF3, QYA, QYA4, QYF, QYF4, QYF6, SAE1, TXF2, VABP, VXE8	
6	16550-ZJ1-U80	ARM COMP., GOVERNOR .....	1	-	-	-		VZE1, VZE5	
7	16550-ZJ1-000	ARM COMP., GOVERNOR .....	1	-	-	1		QAB, QAB4, QAB6, QAC6, QAF, QAFP, QAFU, QAF4, QAF5, QAF8, QDW, QXA, QXAP, QXAU, QXA4, QXA6, QXC4, QXF1, QXF3, QYA, QYA4, QYF, QYF4, QYF6, SAE1, TXF2, VABP, VXE8	
8	16555-ZJ1-000	ROD, GOVERNOR .....	1	-	-	1		QAB, QAB4, QAB6, QAC6, QAF, QAFP, QAFU, QAF4, QAF5, QAF8, QDW, QXA, QXAP, QXAU, QXA4, QXA6, QXC4, QXF1, QXF3, QYA, QYA4, QYF, QYF4, QYF6, SAE1, TXF2, VABP, VXE8, VZE1, VZE5	
9	16561-ZJ1-000	SPRING, GOVERNOR .....	1	-	-	1		QAB, QAB4, QAB6, QAC6, QAF, QAFP, QAFU, QAF4, QAF5, QAF8, QDW, QXA, QXAP, QXAU, QXA4, QXA6, QXC4, QXF1, QXF3, QYA, QYA4, QYF, QYF4, QYF6, SAE1, TXF2, VABP, VXE8	
	16561-ZJ1-890	.....	1	-	-	-	1020789	VZE1, VZE5	

2

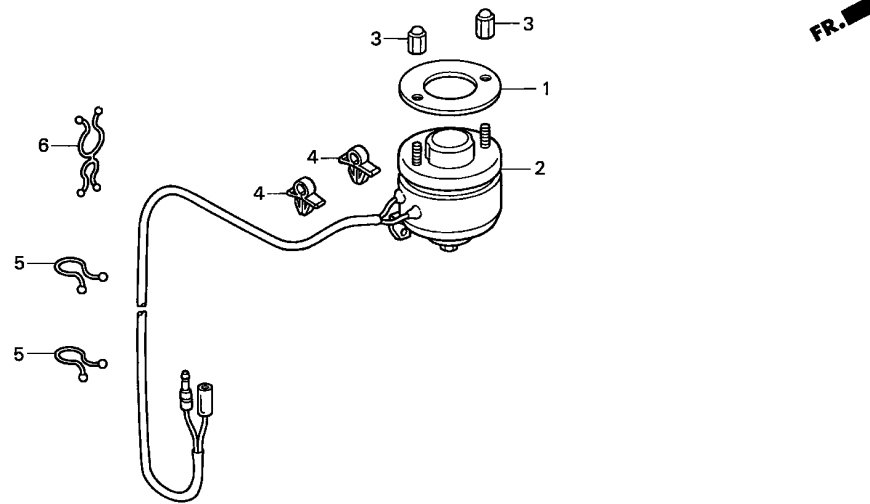


Ref. No.	Part No.	Description	Reqd. QTY					Serial No.	Parts catalogue code
			GX 620 (1)	GX 620 (2)	GX 620 K1 (1)	GX 620 (3)	GX 620 K1 (2)		
(9)	16561-ZJ1-891	SPRING, GOVERNOR .....	1	-	-	-	-	1020790	VZE1, VZE5
10	16562-ZJ1-000	SPRING, THROTTLE RETURN .....	1	-	-	1	-	-	QAB, QAB4, QAB6, QAC6, QAF, QAFP, QAFU, QAF4, QAF5, QAF8, QDW, QXA QXAP, QXAU, QXA4, QXA6, QXC4, QXF1, QXF3, QYA, QYA4, QYF, QYF4, QYF6 SAE1, TXF2, VABP, VXE8, VZE1, VZE5
11	16571-ZJ1-U80	LEVER, CONTROL .....	1	-	-	-	-	-	VZE1, VZE5
12	16574-ZE1-000	SPRING, LEVER .....	1	-	-	1	-	-	QAB, QAB4, QAB6, QAC6, QAF, QAFP, QAFU, QAF4, QAF5, QAF8, QDW, QXA QXAP, QXAU, QXA4, QXA6, QXC4, QXF1, QXF3, QYA, QYA4, QYF, QYF4, QYF6 SAE1, TXF2, VABP, VXE8, VZE1, VZE5
13	16575-ZH8-000	WASHER, CONTROL LEVER .....	1	-	-	1	-	-	QAB, QAB4, QAB6, QAC6, QAF, QAFP, QAFU, QAF4, QAF5, QAF8, QDW, QXA QXAP, QXAU, QXA4, QXA6, QXC4, QXF1, QXF3, QYA, QYA4, QYF, QYF4, QYF6 SAE1, TXF2, VABP, VXE8, VZE1, VZE5
14	16576-891-000	HOLDER, CABLE .....	1	-	-	-	-	-	VZE1, VZE5
			2	-	-	2	-	-	QAB, QAB4, QAB6, QAC6, QAF, QAFP, QAFU, QAF4, QAF5, QAF8, QDW, QXA QXAP, QXAU, QXA4, QXA6, QXC4, QXF1, QXF3, QYA, QYA4, QYF, QYF4, QYF6 SAE1, TXF2, VABP, VXE8
15	16577-ZJ1-U80	STOPPER, CONTROL LEVER .....	1	-	-	-	-	-	VZE1, VZE5
16	16578-ZE1-000	SPACER, CONTROL LEVER .....	1	-	-	1	-	-	QAB, QAB4, QAB6, QAC6, QAF, QAFP, QAFU, QAF4, QAF5, QAF8, QDW, QXA QXAP, QXAU, QXA4, QXA6, QXC4, QXF1, QXF3, QYA, QYA4, QYF, QYF4, QYF6 SAE1, TXF2, VABP, VXE8, VZE1, VZE5
17	16584-883-300	SPRING, CONTROL ADJUSTING ...	2	-	-	2	-	-	QAB, QAB4, QAB6, QAC6, QAF, QAFP, QAFU, QAF4, QAF5, QAF8, QDW, QXA QXAP, QXAU, QXA4, QXA6, QXC4, QXF1, QXF3, QYA, QYA4, QYF, QYF4, QYF6 SAE1, TXF2, VABP, VXE8, VZE1, VZE5
18	16592-ZJ1-000	SPRING, CABLE RETURN .....	1	-	-	1	-	-	QAB, QAB4, QAB6, QAC6, QAF, QAFP, QAFU, QAF4, QAF5, QAF8, QDW, QXA QXAP, QXAU, QXA4, QXA6, QXC4, QXF1, QXF3, QYA, QYA4, QYF, QYF4, QYF6 SAE1, TXF2, VABP, VXE8, VZE1, VZE5



Ref. No.	Part No.	Description	Reqd. QTY					Serial No.	Parts catalogue code
			GX 620	GX 620	GX 620 K1	GX 620	GX 620 K1		
			(1)	(2)	(1)	(3)	(2)		
19	16594-883-010	HOLDER, WIRE .....	2	-	-	2	-	QAC6,QAF,QAFP,QAFU,QAF4,QAF5,QAF8,QDW,QYF,QYF4,QYF6,SAE1 VABP,VXE8,VZE1,VZE5	
20	16596-ZJ1-000	LEVER, WIRE .....	1	-	-	1	-	QAB,QAB4,QAB6,QAC6,QAF,QAFP,QAFU,QAF4,QAF5,QAF8,QDW,QXA QXAP,QXAU,QXA4,QXA6,QXC4,QXF1,QXF3,QYA,QYA4,QYF,QYF4,QYF6 SAE1,TXF2,VABP,VXE8	
21	16599-ZG1-M10	COLLAR, STOPPER .....	(1)	-	-	(1)	-	QAB4,QAF4,QXA4,QXC4,QYA4,QYF4,VABP,VXE8	
22	90013-883-000	BOLT, FLANGE, 6X12(CT200) ...	2	-	-	2	-	QAB,QAB4,QAB6,QAC6,QAF,QAFP,QAFU,QAF4,QAF5,QAF8,QDW,QXA QXAP,QXAU,QXA4,QXA6,QXC4,QXF1,QXF3,QYA,QYA4,QYF,QYF4,QYF6 SAE1,TXF2,VABP,VXE8,VZE1,VZE5	
23	90015-ZE3-790	BOLT, GOVERNOR ARM .....	1	-	-	1	-	QAB,QAB4,QAB6,QAC6,QAF,QAFP,QAFU,QAF4,QAF5,QAF8,QDW,QXA QXAP,QXAU,QXA4,QXA6,QXC4,QXF1,QXF3,QYA,QYA4,QYF,QYF4,QYF6 SAE1,TXF2,VABP,VXE8,VZE1	
24	90114-SAO-000	NUT, SELF-LOCK, 6MM .....	1	-	-	1	-	QAB,QAB4,QAB6,QAC6,QAF,QAFP,QAFU,QAF4,QAF5,QAF8,QDW,QXA QXAP,QXAU,QXA4,QXA6,QXC4,QXF1,QXF3,QYA,QYA4,QYF,QYF4,QYF6 SAE1,TXF2,VABP,VXE8,VZE1,VZE5	
25	90605-230-000	CIRCLIP, 5MM .....	2	-	-	2	-	QAC6,QAF,QAFP,QAFU,QAF4,QAF5,QAF8,QDW,QYF,QYF4,QYF6,SAE1 VABP,VXE8,VZE1,VZE5	
26	93500-04006-0H	SCREW, PAN, 4X6 .....	2	-	-	2	-	QAC6,QAF,QAFP,QAFU,QAF4,QAF5,QAF8,QDW,QYF,QYF4,QYF6,SAE1 VABP,VXE8,VZE1,VZE5	
27	93500-05012-0H	SCREW, PAN, 5X12 .....	1	-	-	-	-	VZE1,VZE5	
	93893-05016-00	SCREW-WASHER, 5X16 .....	2	-	-	-	-	1001936 QAB,QAF,QXA,QYA,QYF	
	93500-05016-0A	SCREW, PAN, 5X16 .....	2	-	-	2	-	QAB4,QAB6,QAC6,QAFP,QAFU,QAF4,QAF5,QAF8,QDW,QXAP,QXAU,QXA4 QXA6,QXC4,QXF1,QXF3,QYA4,QYF4,QYF6,SAE1,TXF2,VABP,VXE8 VZE1,VZE5	
			2	-	-	-	-	1001937 QAB,QAF,QXA,QYA,QYF	
28	93500-05016-0A	SCREW, PAN, 5X16 .....	1	-	-	-	-	VZE1,VZE5	
29	93500-05025-0H	SCREW, PAN, 5X25 .....	1	-	-	-	-	VZE1,VZE5	
			2	-	-	2	-	QAB,QAB4,QAB6,QAC6,QAF,QAFP,QAFU,QAF4,QAF5,QAF8,QDW,QXA QXAP,QXAU,QXA4,QXA6,QXC4,QXF1,QXF3,QYA,QYA4,QYF,QYF4,QYF6 SAE1,TXF2,VABP,VXE8	
30	93500-05028-0A	SCREW, PAN, 5X28 .....	1	-	-	-	-	VZE1,VZE5	
31	94001-05000-0S	NUT, HEX., 5MM .....	1	-	-	-	-	VZE1,VZE5	
32	94050-06000	NUT, FLANGE, 6MM .....	1	-	-	1	-	QAB,QAB4,QAB6,QAC6,QAF,QAFP,QAFU,QAF4,QAF5,QAF8,QDW,QXA QXAP,QXAU,QXA4,QXA6,QXC4,QXF1,QXF3,QYA,QYA4,QYF,QYF4,QYF6 SAE1,TXF2,VABP,VXE8,VZE1	
33	16576-891-000	HOLDER, CABLE .....	1	-	-	-	-	1014376 VZE1	
34	16592-ZJ1-000	SPRING, CABLE RETURN .....	1	-	-	-	-	1014376 VZE1	
35	93500-05016-0A	SCREW, PAN, 5X16 .....	1	-	-	-	-	1014376 VZE1	

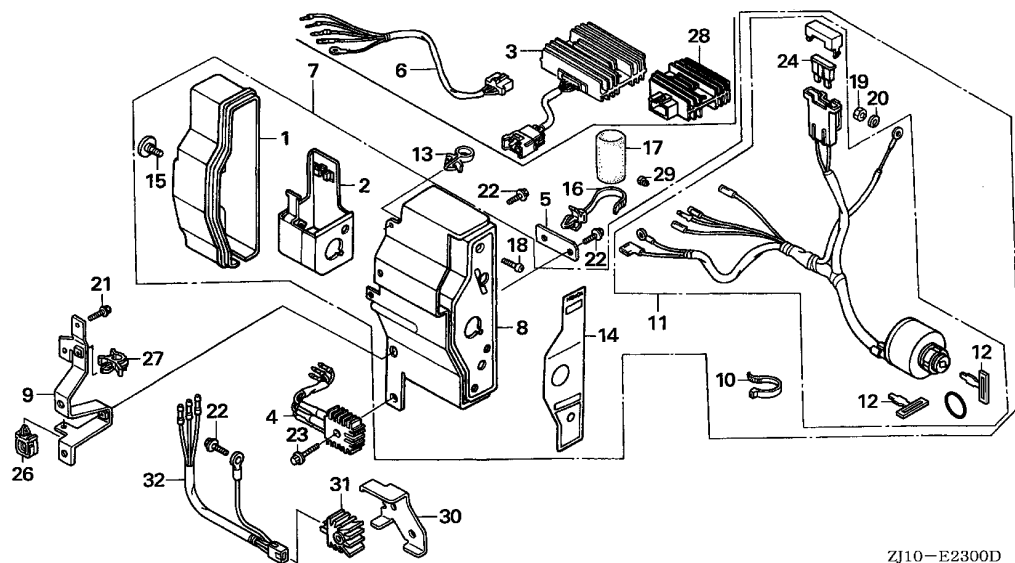




ZJ10-E2220

Ref. No.	L.O.N.	(Relative ref. Number) Description	F.R.T.
2	6151A6	SOLENOID, ROTARY .....	0.3

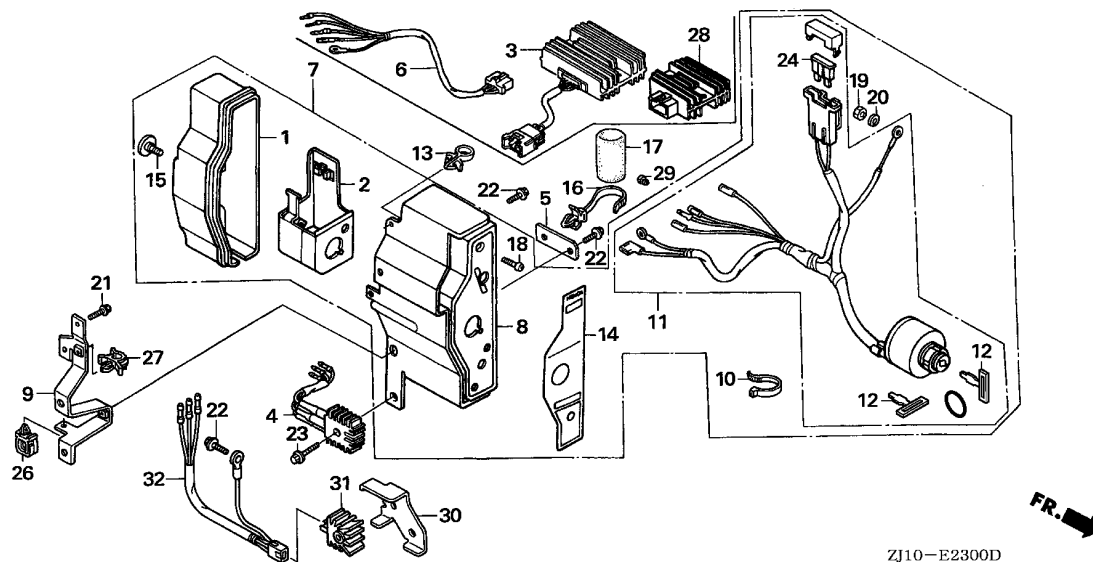
Ref. No.	Part No.	Description	Reqd. QTY					Serial No.	Parts catalogue code
			GX 620 (1)	GX 620 (2)	GX 620 K1 (1)	GX 620 (3)	GX 620 K1 (2)		
1	36337-ZJ1-840	PLATE, SOLENOID .....	-	-	1	-	-	VDB2,VDB2/A,VDC2,VDC2/A,VXA4,VXA4/A,VXA5,VXA5/A,VXA6 VXA6/A,VXD4,VXD4/A,VXE2,VXE2/A	
2	36350-ZJ1-841	SOLENOID ASSY., ROTARY .....	-	-	1	-	-	VDB2,VDB2/A,VDC2,VDC2/A,VXA4,VXA4/A,VXA5,VXA5/A,VXA6 VXA6/A,VXD4,VXD4/A,VXE2,VXE2/A	
3	90202-ZJ1-840	NUT, SPECIAL CAP .....	-	-	2	-	-	VDB2,VDB2/A,VDC2,VDC2/A,VXA4,VXA4/A,VXA5,VXA5/A,VXA6 VXA6/A,VXD4,VXD4/A,VXE2,VXE2/A	
4	90654-SA4-003	CLIP, WIRE HARNESS, 6MM(WHITE)	-	-	2	-	-	VDB2,VDB2/A,VDC2,VDC2/A,VXA4,VXA4/A,VXA5,VXA5/A,VXA6 VXA6/A,VXD4,VXD4/A,VXE2,VXE2/A	
5	90686-459-711	PURSE, LOCK, 8MM .....	-	-	2	-	-	VDB2,VDB2/A,VDC2,VDC2/A,VXA4,VXA4/A,VXA5,VXA5/A,VXA6 VXA6/A,VXD4,VXD4/A,VXE2,VXE2/A	
6	91402-ZJ1-841	CLIP, PURSE LOCK .....	-	-	1	-	-	VDB2,VDB2/A,VDC2,VDC2/A,VXA4,VXA4/A,VXA5,VXA5/A,VXA6 VXA6/A,VXD4,VXD4/A,VXE2,VXE2/A	



Ref. No.	L.O.N.	(Relative ref. Number) Description	F.R.T.
1	6221A4	CASE, ENGINE CONTROL .....	0.1
2	6221H0	BRACKET, CASE MOUNTING .....	0.4
3	6131B7	RECTIFIER, REGULATOR .....	0.2
4		(31)	
	6131B7	RECTIFIER, REGULATOR .....	0.2
6	6111D3	HARNESS, SUB WIRE .....	0.2
7	6221A2	BOX, CONTROL .....	0.2
8	4131F9	PANEL, CONTROL .....	0.4
11	6151E1	SWITCH, COMBINATION .....	0.3
14	6221G9	MARK, CONTROL BOX .....	0.1
24	8121A7	FUSE, BLADE .....	0.1

Ref. No.	Part No.	Description	Reqd. QTY					Serial No.	Parts catalogue code
			GX 620	GX 620	GX 620	GX 620	GX 620		
1	31612-ZE2-003	CASE, CONTROL .....	1	-	1	1	-	QAF1, QAF1/A, QAF3, QAF6, QAF6/A, QAF9, QAF9/A, QAX1, QAX1/A, QDA1, QDE1, QWA6, QWA6/A, QWF6, QWF6/A, QXA, QXA/A, QXAP, QXAU, QXA1, QXA3, QXA3/A, QXA4, QXA6, QXA6/A, QXC2, QXC2/A, QXC4, QXE1, QXE1/A, QXE3, QXE4, QXE4/A, QXE5, QXE5/A, QXE8, QXE8/A, QXF, QXF/A, QXF6, QXF6/A, QXF8, QXF8/A, QYA, QYA/A, QYA4, QZB, QZB/A, QZB2, QZB2/A, QZB3, QZB3/A, QZD, QZD/A, QZE3, QZE3/A, QZE4, QZE4/A, QZF1, QZF1/A, QZF2, QZF2/A, QZF8, QZF8/A, TXF2, TXF2/A, VEP4, VEP4/A, VXA1, VXA1/A, VXA5, VXA5/A, VXE1, VXE1/A, VXE2, VXE2/A, VXF, VXF/A, VZD, VXE4	
			1	-	-	-	-	VXE4	
2	31614-ZE2-003	BRACKET, CASE MOUNTING .....	1	-	1	1	-	QAF1, QAF1/A, QAF3, QAF6, QAF6/A, QAF9, QAF9/A, QAX1, QAX1/A, QDA1, QDE1, QWA6, QWA6/A, QWF6, QWF6/A, QXA, QXA/A, QXAP, QXAU, QXA1, QXA3, QXA3/A, QXA4, QXA6, QXA6/A, QXC2, QXC2/A, QXC4, QXE1, QXE1/A, QXE3, QXE4, QXE4/A, QXE5, QXE5/A, QXE8, QXE8/A, QXF, QXF/A, QXF6, QXF6/A, QXF8, QXF8/A, QYA, QYA/A, QYA4, QZB, QZB/A, QZB2, QZB2/A, QZB3, QZB3/A, QZD, QZD/A, QZE3, QZE3/A, QZE4, QZE4/A, QZF1, QZF1/A, QZF2, QZF2/A, QZF8, QZF8/A, SAF1, SAF1/A, TXF2, TXF2/A, VEP4, VEP4/A, VXA1, VXA1/A, VXA5, VXA5/A, VXE1, VXE1/A, VXE2, VXE2/A, VXF, VXF/A, VZD, VXE4	
			1	-	-	-	-	VXE4	
3	31620-ZG5-003	RECTIFIER ASSY., REGULATOR (20A)	1	-	1	-	-	QXF3	
			1	-	-	1	-	QAB, QAB4, QAB6, QAC6, QAF, QAFP, QAFU, QAF1, QAF2, QAF3, QAF4, QAF5, QAF6, QAF7, QAF8, QAP2, QDF, QDF4, QDF6, QDW, QXB1, QXF1, QXF6, QYF, QYF4, QYF6, SAF1, TXF2, VAF, VAFP, VAFU, VAF4, VAF6, VZF1	
			-	(1)	-	-	-		
			-	-	1	-	-	2095894 QDP2, VAB2	





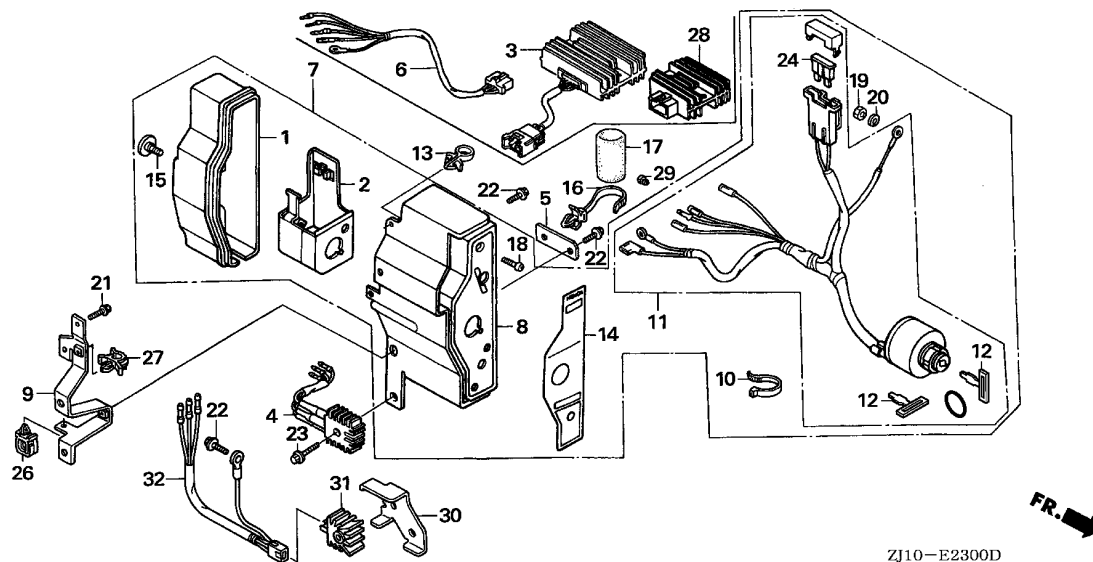
ZJ10-E2300D

Ref. No.	Part No.	Description	Reqd. QTY					Serial No.	Parts catalogue code
			GX 620	GX 620	GX 620	GX 620	GX 620		
(3)	31620-ZG5-013	RECTIFIER ASSY., REGULATOR (20A)	-	-	1	-	-	-	QAB,QAB/A,QAB6,QAB6/A,QAD2,QAD2/A,QAF,QAF/A,QAF1,QAF1/A,QAF2,QAF2/A,QAF5,QAF5/A,QAF6,QAF6/A,QAF7,QAF7/A,QAF8,QAF8/A,QAF9,QAF9/A,QDF,QDF/A,QDF6,QDF6/A,QDP2/A,QDW,QDW/A,QWF6,QWF6/A,QXB1,QXB1/A,QXE4,QXE4/A,QXE7,QXE7/A,QXF,QXF/A,QXF4,QXF4/A,QXF6,QXF6/A,QXF8,QXF8/A,QXW2,QXW2/A,QXW4,QXW4/A,QYD,QYD/A,QYF,QYF/A,QZB,QZB/A,QZB2,QZB2/A,QZB3,QZB3/A,QZF1,QZF1/A,QZF2,QZF2/A,QZF8,QZF8/A,SAF1,SAF1/A,TFX2,TFX2/A,VAB2/A,VAB3,VAB3/A,VAF,VAF/A,VAF6,VAF6/A,VDC2/A,VXF,VXF/A,VXF4,VXF4/A
4	31710-ZJ1-811	RECTIFIER ASSY. ....	1	-	1	1	1	2095895	QDP2,VAB2 QAX1,QAX1/A,QDA1,QDE1,QWA6,QWA6/A,QXA,QXA/A,QXAP,QXAU,QXA1,QXA3,QXA3/A,QXA4,QXA6,QXA6/A,QXC2,QXC2/A,QXC4,QXE1,QXE1/A,QXE3,QXE5,QXE5/A,QXE8,QXE8/A,QYA,QYA/A,QYA4,QZD,QZD/A,QZE3,QZE3/A,QZE4,QZE4/A,SAE1,SAE1/A,VABP,VDB2/A,VXAP,VXAU,VXA1,VXA1/A,VXA3,VXA4,VXA4/A,VXA5,VXA5/A,VXA6,VXA6/A,VXC1,VXC1/A,VXC2,VXC2/A,VXD4,VXD4/A,VXE1,VXE1/A,VXE2,VXE2/A,VXE4,VXE4/A,VXE8/A,VXP2,VXP2/A,VYA1,VYA3,VYA3/A,VYE3,VYE3/A,VZA1,VZA3,VZD
			1	-	-	-	-	1028590	VXE8
			-	(1)	-	-	-	-	VXE8
			-	-	1	-	-	-	VXE8
			-	-	1	-	-	2030545	VDB2

Ref. No.	Part No.	Description	Reqd. QTY					Serial No.	Parts catalogue code	
			GX 620	GX 620	GX 620 K1	GX 620	GX 620 K1			
			(1)	(2)	(1)	(3)	(2)			
5	32103-759-000	BRACKET, WIRE HARNESS CLIP ..	1	-	1	1	-	-----	QAF1, QAF1/A, QAF3, QAF6, QAF6/A, QAF9, QAF9/A, QAX1, QAX1/A, QDA1, QDE1, QWA6, QWA6/A, QWF6, QWF6/A, QXA, QXA/A, QXAP, QXAU, QXA1, QXA3, QXA3/A, QXA4, QXA6, QXA6/A, QXC2, QXC2/A, QXC4, QXE1, QXE1/A, QXE3, QXE4, QXE4/A, QXE5, QXE5/A, QXE8, QXE8/A, QXF, QXF/A, QXF6, QXF6/A, QXF8, QXF8/A, QYA, QYA/A, QYA4, QZB, QZB/A, QZB2, QZB2/A, QZB3, QZB3/A, QZD, QZD/A, QZE3, QZE3/A, QZE4, QZE4/A, QZF1, QZF1/A, QZF2, QZF2/A, QZF8, QZF8/A, TXF2, TXF2/A, VDB2/A, VEP4, VEP4/A, VXA1, VXA1/A, VXA5, VXA5/A, VXE1, VXE1/A, VXE2, VXE2/A, VXF, VXF/A, VZD, VXE4	
			1	-	-	-	-	-----	VDB2	
			-	(1)	-	-	-	-----		
			-	-	1	-	-	2030545	-----	
6	32105-ZJ1-800	HARNESS ASSY., SUB WIRE .....	1	-	1	1	1	-----	-----	QAB, QAB/A, QAB4, QAB6, QAB6/A, QAC6, QAF, QAF/A, QAFP, QAFU, QAF1, QAF1/A, QAF2, QAF2/A, QAF3, QAF4, QAF5, QAF5/A, QAF6, QAF6/A, QAF7, QAF7/A, QAF8, QAF8/A, QAF9, QAF9/A, QAP2, QDF, QDF/A, QDF4, QDF6, QDF6/A, QDW, QDW/A, QWF6, QWF6/A, QXB1, QXB1/A, QXE4, QXE4/A, QXE7, QXE7/A, QXF, QXF/A, QXF1, QXF3, QXF4, QXF4/A, QXF6, QXF6/A, QXF8, QXF8/A, QYF, QYF/A, QYF4, QYF6, QZB, QZB/A, QZB2, QZB2/A, QZB3, QZB3/A, QZF1, QZF1/A, QZF2, QZF2/A, QZF8, QZF8/A, SAF1/A, TXF2, TXF2/A, VAB2, VAB2/A, VAF, VAF/A, VAFP, VAFU, VAF4, VAF6, VAF6/A, VDC2, VDC2/A, VXC, VXC/A, VXF, VXF/A, VXF4, VXF4/A, VZF1
			-	(1)	-	-	-	-----	SAF1	
			-	-	1	-	-	-----	-----	
			1	-	-	1	-	-----	-----	
			-	-	-	-	-	-----	SAF1	
7	32340-ZJ1-812	BOX ASSY., CONTROL .....	1	-	-	1	-	-----	-----	QAF1, QAF6, QDA1, QDE1, QXA, QXAP, QXAU, QXA1, QXA3, QXA6, QXE1, QXE3, QXF6, QYA, TXF2, VXA1, VXE1, VXE2, VZD
			1	-	-	-	-	-----	1007427	QAF3
			-	(1)	-	-	-	-----	-----	
			1	-	-	-	-	-----	-----	QXA4, QXC4, QYA4, VXE4
	32340-ZJ1-W41	.....	1	-	-	-	-	-----	-----	QAF3
			1	-	-	-	-	1007428	-----	-----
	32340-ZJ1-841	.....	-	-	1	-	-	-----	2060147	-----
			-	-	1	-	-	-----	-----	QAF1, QAF6, QXA, QXA3, QXA6, QXC2, QXE1, QXE5, QXF6, QXF8, QYA, QZB, QZB2, QZB3, QZF1, QZF2, TXF2, VXA1, VXE1, VXE2
	32340-ZJ1-842	.....	-	-	1	-	-	-----	-----	QAF1/A, QAF6/A, QAF9, QAF9/A, QAX1, QAX1/A, QWA6, QWA6/A, QWF6, QWF6/A, QXA/A, QXA3/A, QXA6/A, QXC2/A, QXE1/A, QXE5/A, QXF6/A, QXF8/A, QYA/A, QZB/A, QZB2/A, QZB3/A, QZF1/A, QZF2/A, QZF8, QZF8/A, TXF2/A, VXA1/A, VXE1/A, VXE2/A
			-	-	1	-	-	2060148	-----	-----
			-	-	1	-	-	-----	-----	QAF1, QAF6, QXA, QXA3, QXA6, QXC2, QXE1, QXE5, QXF6, QXF8, QYA, QZB, QZB2, QZB3, QZF1, QZF2, TXF2, VXA1, VXE1, VXE2
	32340-ZJ1-851	.....	-	-	1	-	-	-----	2060572	-----
	32340-ZJ1-852	.....	-	-	1	-	-	-----	-----	QXE4, QXE8, QXF, QZD, QZE3, QZE4, VXA5, VXF
			-	-	1	-	-	-----	-----	QXE4/A, QXE8/A, QXF/A, QZD/A, QZE3/A, QZE4/A, VEP4, VEP4/A, VXA5/A, VXF/A
			-	-	1	-	-	2060573	-----	-----
			-	-	1	-	-	-----	-----	QXE4, QXE8, QXF, QZD, QZE3, QZE4, VXA5, VXF
8	32345-ZJ1-811	PANEL COMP., CONTROL .....	1	-	-	1	-	-----	-----	QAF1, QAF6, QDA1, QDE1, QXA, QXAP, QXAU, QXA1, QXA3, QXA4, QXA6, QXC4, QXE1, QXE3, QXF6, QYA, QYA4, TXF2, VXA1, VXE1, VXE2, VXE4, VZD
			1	-	-	-	-	-----	1007427	-----
			-	(1)	-	-	-	-----	-----	QAF3
			-	-	1	-	-	-----	2060147	-----
			-	-	1	-	-	-----	-----	QAF1, QAF6, QXA, QXA3, QXA6, QXC2, QXE1, QXE5, QXF6, QXF8, QYA, QZB, QZB2, QZB3, QZF1, QZF2, TXF2, VXA1, VXE1, VXE2
			-	-	1	-	-	-----	2060572	-----
			-	-	1	-	-	-----	-----	QXE4, QXE8, QXF, QZD, QZE3, QZE4, VXA5, VXF
	32345-ZJ1-812	.....	1	-	-	-	-	1007428	-----	-----
			-	-	1	-	-	-----	-----	QAF1/A, QAF6/A, QAF9, QAF9/A, QAX1, QAX1/A, QWA6, QWA6/A, QWF6, QWF6/A, QXA/A, QXA3/A, QXA6/A, QXC2/A, QXE1/A, QXE5/A, QXE8/A, QXF/A, QXF6/A, QXF8/A, QYA/A, QZB/A, QZB2/A, QZB3/A, QZD/A, QZE3/A, QZE4/A, QZF1/A, QZF2/A, QZF8, QZF8/A, TXF2/A, VEP4, VEP4/A, VXA1/A, VXA5/A, VXE1/A, VXE2/A, VXF/A
			-	-	1	-	-	2060148	-----	-----
			-	-	1	-	-	2060573	-----	-----
			-	-	1	-	-	-----	-----	QAF1, QAF6, QXA, QXA3, QXA6, QXC2, QXE1, QXE5, QXF6, QXF8, QYA, QZB, QZB2, QZB3, QZF1, QZF2, TXF2, VXA1, VXE1, VXE2
			-	-	1	-	-	-----	-----	QXE4, QXE8, QXF, QZD, QZE3, QZE4, VXA5, VXF





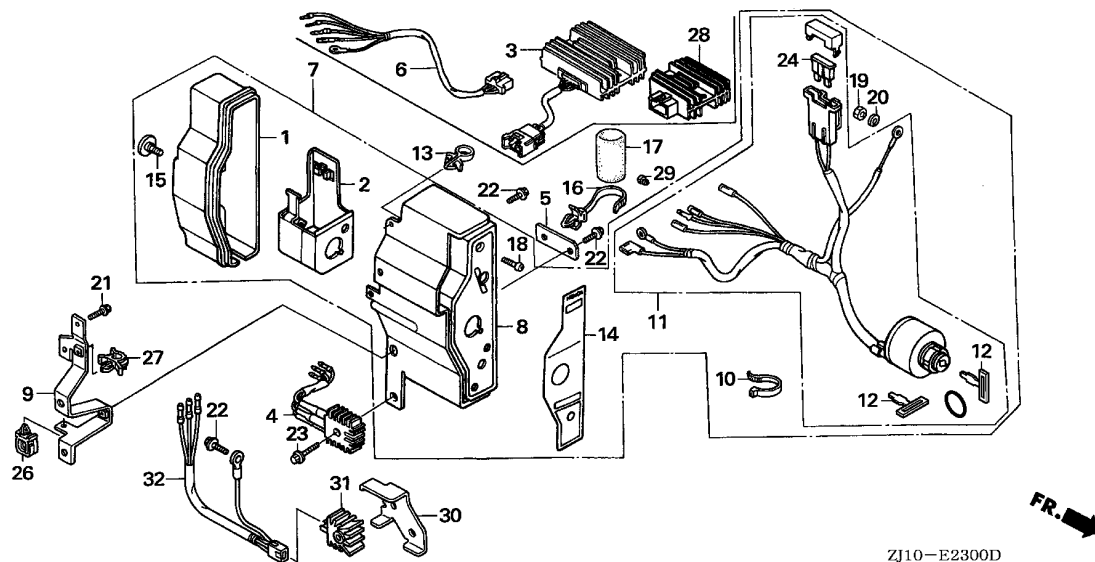


ZJ10-E2300D

Ref. No.	Part No.	Description	Reqd. QTY					Serial No.	Parts catalogue code	
			GX 620 (1)	GX 620 (2)	GX 620 (1) K1	GX 620 (3)	GX 620 (2) K1			
9	32349-ZJ1-810	STAY, CONTROL BOX .....	1	-	-	1	-	-----	QAF1, QAF3, QAF6, QDA1, QDE1, QXA, QXAP, QXAU, QXA1, QXA3, QXA4, QXA6, QXC4, QXE1, QXF6, QYA, QYA4, SAE1, TXF2, VXA1, VXE1, VXE2, VXE4, VZD	
	32349-ZJ1-840	.....	-	(1)	-	-	-	-----	QAF1, QAF1/A, QAF6, QAF6/A, QAF9, QAF9/A, QAX1, QAX1/A, QWA6, QWA6/A, QWF6, QWF6/A, QXA, QXA/A, QXA3, QXA3/A, QXA6, QXA6/A, QXC2, QXC2/A, QXE1, QXE1/A, QXE4, QXE4/A, QXE5, QXE5/A, QXE8, QXE8/A, QXF, QXF/A, QXF6, QXF6/A, QXF8, QXF8/A, QYA, QYA/A, QZB, QZB/A, QZB2, QZB2/A, QZB3, QZB3/A, QZD, QZD/A, QZE3, QZE3/A, QZE4, QZE4/A, QZF1, QZF1/A, QZF2, QZF2/A, QZF8, QZF8/A, SAE1/A, TXF2, TXF2/A, VDB2/A, VEP4, VEP4/A, VXA1, VXA1/A, VXA5, VXA5/A, VXE1, VXE1/A, VXE2, VXE2/A, VXF, VXF/A	
			-	-	1	-	-	2020811	-----	SAE1
			-	-	1	-	-	2030545	-----	VDB2
10	32902-892-003	BAND .....	1	-	1	1	-	-----	QAF1, QAF1/A, QAF3, QAF6, QAF6/A, QAF9, QAF9/A, QAX1, QAX1/A, QDA1, QDE1, QWA6, QWA6/A, QWF6, QWF6/A, QXA, QXA/A, QXAP, QXAU, QXA1, QXA3, QXA3/A, QXA4, QXA6, QXA6/A, QXC2, QXC2/A, QXC4, QXE1, QXE1/A, QXE3, QXE4, QXE4/A, QXE5, QXE5/A, QXE8, QXE8/A, QXF, QXF/A, QXF6, QXF6/A, QXF8, QXF8/A, QYA, QYA/A, QYA4, QZB, QZB/A, QZB2, QZB2/A, QZB3, QZB3/A, QZD, QZD/A, QZE3, QZE3/A, QZE4, QZE4/A, QZF1, QZF1/A, QZF2, QZF2/A, QZF8, QZF8/A, SAF1, SAF1/A, TXF2, TXF2/A, VEP4, VEP4/A, VXA1, VXA1/A, VXA5, VXA5/A, VXE1, VXE1/A, VXE2, VXE2/A, VXF, VXF/A, VZD	
			1	-	-	-	-	-----	VXE4	
			-	(1)	-	-	-	-----		

Ref. No.	Part No.	Description	Reqd. QTY					Serial No.	Parts catalogue code
			GX 620 (1)	GX 620 (2)	GX 620 K1 (1)	GX 620 (3)	GX 620 K1 (2)		
11	35100-ZJ1-812	SWITCH ASSY., COMBINATION ...	1	-	1	-	-	SAF1, SAF1/A, VYA1, VYA3, VYA3/A, VYE3, VYE3/A, VZA1 QAF1, QAF3, QAF5, QAF6, QDA1, QDE1, QXA, QXAP, QXAU, QXA1, QXA3, QXA4 QXA6, QXC4, QXE1, QXE3, QXF6, QYA, QYA4, TXF2, VXA1, VXE1, VXE2, VXE4 VZD	
	35100-ZJ1-841	.....	-	(1)	-	-	-	QAF1, QAF1/A, QAF6, QAF6/A, QAF9, QAF9/A, QAX1, QAX1/A, QWA6 QWA6/A, QWF6, QWF6/A, QXA, QXA/A, QXA3, QXA3/A, QXA6, QXA6/A, QXC2 QXC2/A, QXE1, QXE1/A, QXE4, QXE4/A, QXE5, QXE5/A, QXE8, QXE8/A, QXF QXF/A, QXF6, QXF6/A, QXF8, QXF8/A, QYA, QYA/A, QZB, QZB/A, QZB2 QZB2/A, QZB3, QZB3/A, QZD, QZD/A, QZE3, QZE3/A, QZE4, QZE4/A, QZF1 QZF1/A, QZF2, QZF2/A, QZF8, QZF8/A, TXF2, TXF2/A, VEP4, VEP4/A VXA1, VXA1/A, VXA5, VXA5/A, VXE1, VXE1/A, VXE2, VXE2/A, VXF, VXF/A VXZ4, VXZ4/A	
12	35111-880-003	KEY COMP. ....	2	-	-	2	-	QAF1, QAF3, QAF5, QAF6, QDA1, QDE1, QXA, QXAP, QXAU, QXA1, QXA3, QXA4 QXA6, QXC4, QXE1, QXE3, QXF6, QYA, QYA4, SAF1, TXF2, VXA1, VXE1, VXE2 VXE4, VXZ4, VYA1, VYA3, VZA1, VZD	
	35111-880-013	.....	-	(2)	-	-	2093101	QAF1, QAF6, QAX1, QWA6, QWF6, QXA, QXA3, QXA6, QXC2, QXE1, QXE4, QXE5 QXE8, QXF, QXF6, QXF8, QYA, QZB, QZB2, QZB3, QZD, QZE3, QZE4, QZF1 QZF2, QZF8, SAF1, TXF2, VXA1, VXA5, VXE1, VXE2, VXF, VYA1, VYA3, VZA1 QAF1/A, QAF6/A, QAF9, QAF9/A, QAX1/A, QWA6/A, QWF6/A, QXA/A QXA3/A, QXA6/A, QXC2/A, QXE1/A, QXE4/A, QXE5/A, QXE8/A, QXF/A QXF6/A, QXF8/A, QXW2, QXW2/A, QXW4, QXW4/A, QYA/A, QZB/A, QZB2/A QZB3/A, QZD/A, QZE3/A, QZE4/A, QZF1/A, QZF2/A, QZF8/A, SAF1/A TXF2/A, VEP4, VEP4/A, VXA1/A, VXA5/A, VXE1/A, VXE2/A, VXF/A, VXZ4 VXZ4/A, VYA3/A, VYE3/A, VZE7, VZE7/A, VZE8, VZE8/A	
			-	-	2	-	2093102	QAF1, QAF6, QAX1, QWA6, QWF6, QXA, QXA3, QXA6, QXC2, QXE1, QXE4, QXE5 QXE8, QXF, QXF6, QXF8, QYA, QZB, QZB2, QZB3, QZD, QZE3, QZE4, QZF1 QZF2, QZF8, SAF1, TXF2, VXA1, VXA5, VXE1, VXE2, VXF, VYA1, VYA3, VYE3 VZA1	
13	36103-ZE1-000	HOLDER, STOP SWITCH CORD ....	1	-	1	1	-	QAF1, QAF1/A, QAF3, QAF6, QAF6/A, QAF9, QAF9/A, QDA1, QDE1, QWA6 QWA6/A, QWF6, QWF6/A, QXA, QXA/A, QXAP, QXAU, QXA1, QXA3, QXA3/A QXA4, QXA6, QXA6/A, QXC2, QXC2/A, QXC4, QXE1, QXE1/A, QXE3, QXE4 QXE4/A, QXE5, QXE5/A, QXE8, QXE8/A, QXF, QXF/A, QXF6, QXF6/A, QXF8 QXF8/A, QYA, QYA/A, QYA4, QZB, QZB/A, QZB2, QZB2/A, QZB3, QZB3/A QZD, QZD/A, QZE3, QZE3/A, QZE4, QZE4/A, QZF1, QZF1/A, QZF2, QZF2/A QZF8, QZF8/A, TXF2, TXF2/A, VEP4, VEP4/A, VXA1, VXA1/A, VXA5 VXA5/A, VXE1, VXE1/A, VXE2, VXE2/A, VXF, VXF/A, VZD VXE4	
			-	(1)	-	-	-		
14	87529-ZE2-860	MARK, CONTROL BOX (EXTERNAL-REGULATOR)	1	-	1	-	-	VYA1, VZA1	
			1	-	-	1	-	QAF1, QAF6, QDA1, QDE1, QXA, QXAP, QXAU, QXA1, QXA3, QXA6, QXE1, QXE3 QXF6, QYA, TXF2, VXA1, VXE1, VXE2, VYA3, VZA3, VZD	
			1	-	-	-	1007427	QAF3	
			-	(1)	-	-	-		
			-	-	1	-	2075527	QAF1, QAF6, QAX1, QWA6, QWF6, QXA, QXA3, QXA6, QXC2, QXE1, QXE5, QXF6 QXF8, QYA, QZB, QZB2, QZB3, QZF1, QZF2, QZF8, TXF2, VXA1, VXE1, VXE2 VYA3, VYE3	
	87529-ZE2-861	MARK, CONTROL BOX (EXP-REG) .	-	-	1	-	-	QAF1/A, QAF6/A, QAF9, QAF9/A, QAX1/A, QWA6/A, QWF6/A, QXA/A QXA3/A, QXA6/A, QXC2/A, QXE1/A, QXE5/A, QXF6/A, QXF8/A, QYA/A QZB/A, QZB2/A, QZB3/A, QZF1/A, QZF2/A, QZF8/A, TXF2/A, VXA1/A VXE1/A, VXE2/A, VYA3/A, VYE3/A	
			-	-	1	-	2075528	QAF1, QAF6, QAX1, QWA6, QWF6, QXA, QXA3, QXA6, QXC2, QXE1, QXE5, QXF6 QXF8, QYA, QZB, QZB2, QZB3, QZF1, QZF2, QZF8, TXF2, VXA1, VXE1, VXE2 VYA3, VYE3	

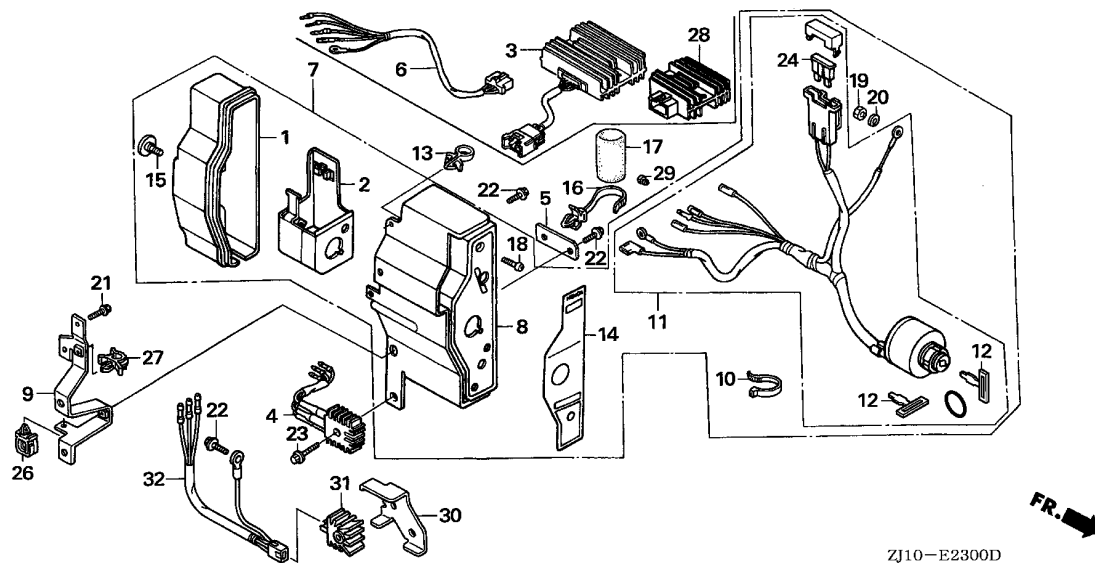




Ref. No.	Part No.	Description	Reqd. QTY					Serial No.	Parts catalogue code
			GX 620 (1)	GX 620 (2)	GX 620 K1 (1)	GX 620 (3)	GX 620 K1 (2)		
14)	87529-ZH8-W40	MARK, CONTROL BOX (ENGLISH)	1	-	-	-	-	-----	QXA4, QXC4, QYA4, VXE4
			1	-	-	-	1007428	-----	QAF3
	87529-ZH8-W41	.....	-	-	1	-	2076769	-----	QXE4, QXE8, QXF, QZD, QZE3, QZE4, VXA5, VXF
			-	-	1	-	2076770	-----	QXE4/A, QXE8/A, QXF/A, QZD/A, QZE3/A, QZE4/A, VEP4, VEP4/A, VXA5/A, VXF/A
15	90380-MA6-010	SCREW, SPECIAL, 6X12	1	-	1	1	-----	-----	QXE4, QXE8, QXF, QZD, QZE3, QZE4, VXA5, VXF
			-	-	1	-	-----	-----	QAF1, QAF1/A, QAF3, QAF6, QAF6/A, QAF9, QAF9/A, QAX1, QAX1/A, QDA1
			-	-	1	-	-----	-----	QDE1, QWA6, QWA6/A, QWF6, QWF6/A, QXA, QXA/A, QXAP, QXAU, QXA1, QXA3
			-	-	1	-	-----	-----	QXA3/A, QXA4, QXA6, QXA6/A, QXC2, QXC2/A, QXC4, QXE1, QXE1/A, QXE3
			-	-	1	-	-----	-----	QXE4, QXE4/A, QXE5, QXE5/A, QXE8, QXE8/A, QXF, QXF/A, QXF6, QXF6/A
			-	-	1	-	-----	-----	QXF8, QXF8/A, QYA, QYA/A, QYA4, QZB, QZB/A, QZB2, QZB2/A, QZB3
			-	-	1	-	-----	-----	QZB3/A, QZD, QZD/A, QZE3, QZE3/A, QZE4, QZE4/A, QZF1, QZF1/A, QZF2
			-	-	1	-	-----	-----	QZF2/A, QZF8, QZF8/A, TXF2, TXF2/A, VEP4, VEP4/A, VXA1, VXA1/A
			-	-	1	-	-----	-----	VXA5, VXA5/A, VXE1, VXE1/A, VXE2, VXE2/A, VXF, VXF/A, VZD
			1	-	-	-	-----	-----	VXE4
			-	(1)	-	-	-----	-----	
16	90676-SA8-003	BAND, WIRE HARNESS, 150MM (BLUE)	1	-	1	1	-----	-----	QAF1, QAF1/A, QAF3, QAF6, QAF6/A, QAF9, QAF9/A, QAX1, QAX1/A, QDA1
			-	-	1	-	-----	-----	QDE1, QWA6, QWA6/A, QWF6, QWF6/A, QXA, QXA/A, QXAP, QXAU, QXA1, QXA3
			-	-	1	-	-----	-----	QXA3/A, QXA4, QXA6, QXA6/A, QXC2, QXC2/A, QXC4, QXE1, QXE1/A, QXE3
			-	-	1	-	-----	-----	QXE4, QXE4/A, QXE5, QXE5/A, QXE8, QXE8/A, QXF, QXF/A, QXF6, QXF6/A
			-	-	1	-	-----	-----	QXF8, QXF8/A, QYA, QYA/A, QYA4, QZB, QZB/A, QZB2, QZB2/A, QZB3
			-	-	1	-	-----	-----	QZB3/A, QZD, QZD/A, QZE3, QZE3/A, QZE4, QZE4/A, QZF1, QZF1/A, QZF2
			-	-	1	-	-----	-----	QZF2/A, QZF8, QZF8/A, TXF2, TXF2/A, VABP, VEP4, VEP4/A, VXA1, VXA1/A
			-	-	1	-	-----	-----	VXA5, VXA5/A, VXE1, VXE1/A, VXE2, VXE2/A, VXF, VXF/A, VZD
			1	-	-	-	-----	-----	VXE4
			-	(1)	-	-	-----	-----	

Ref. No.	Part No.	Description	Reqd. QTY					Serial No.	Parts catalogue code
			GX 620	GX 620	GX 620 K1	GX 620	GX 620 K1		
			(1)	(2)	(1)	(3)	(2)		
17	91408-ZJ1-810	TUBE, CORD, 30MM .....	1	-	1	1	-	QAF1, QAF1/A, QAF3, QAF6, QAF6/A, QAF9, QAF9/A, QAX1, QAX1/A, QDA1, QDE1, QWA6, QWA6/A, QWF6, QWF6/A, QXA, QXA/A, QXAP, QXAU, QXA1, QXA3, QXA3/A, QXA4, QXA6, QXA6/A, QXC2, QXC2/A, QXC4, QXE1, QXE1/A, QXE3, QXE4, QXE4/A, QXE5, QXE5/A, QXE8, QXE8/A, QXF, QXF/A, QXF6, QXF6/A, QXF8, QXF8/A, QYA, QYA/A, QYA4, QZB, QZB/A, QZB2, QZB2/A, QZB3, QZB3/A, QZD, QZD/A, QZE3, QZE3/A, QZE4, QZE4/A, QZF1, QZF1/A, QZF2, QZF2/A, QZF8, QZF8/A, TXF2, TXF2/A, VEP4, VEP4/A, VXA1, VXA1/A, VXA5, VXA5/A, VXE1, VXE1/A, VXE2, VXE2/A, VXF, VXF/A, VZD, VXE4	
			1	-	-	-	-		
			-	(1)	-	-	-		
18	93500-04012-0H	SCREW, PAN, 4X12 .....	1	-	1	1	-	QAF1, QAF1/A, QAF3, QAF6, QAF6/A, QAF9, QAF9/A, QAX1, QAX1/A, QDA1, QDE1, QWA6, QWA6/A, QWF6, QWF6/A, QXA, QXA/A, QXAP, QXAU, QXA1, QXA3, QXA3/A, QXA4, QXA6, QXA6/A, QXC2, QXC2/A, QXC4, QXE1, QXE1/A, QXE3, QXE4, QXE4/A, QXE5, QXE5/A, QXE8, QXE8/A, QXF, QXF/A, QXF6, QXF6/A, QXF8, QXF8/A, QYA, QYA/A, QYA4, QZB, QZB/A, QZB2, QZB2/A, QZB3, QZB3/A, QZD, QZD/A, QZE3, QZE3/A, QZE4, QZE4/A, QZF1, QZF1/A, QZF2, QZF2/A, QZF8, QZF8/A, TXF2, TXF2/A, VEP4, VEP4/A, VXA1, VXA1/A, VXA5, VXA5/A, VXE1, VXE1/A, VXE2, VXE2/A, VXF, VXF/A, VZD, VXE4	
			1	-	-	-	-		
			-	(1)	-	-	-		
19	94001-04080-0S	NUT, HEX., 4MM .....	-	-	1	-	-	QAF1, QAF1/A, QAF6, QAF6/A, QAF9, QAF9/A, QAX1, QAX1/A, QWA6, QWA6/A, QWF6, QWF6/A, QXA, QXA/A, QXA3, QXA3/A, QXA6, QXA6/A, QXC2, QXC2/A, QXE1, QXE1/A, QXE4, QXE4/A, QXE5, QXE5/A, QXE8, QXE8/A, QXF, QXF/A, QXF6, QXF6/A, QXF8, QXF8/A, QYA, QYA/A, QYA4, QZB, QZB/A, QZB2, QZB2/A, QZB3, QZB3/A, QZD, QZD/A, QZE3, QZE3/A, QZE4, QZE4/A, QZF1, QZF1/A, QZF2, QZF2/A, QZF8, QZF8/A, TXF2, TXF2/A, VEP4, VEP4/A, VXA1, VXA1/A, VXA5, VXA5/A, VXE1, VXE1/A, VXE2, VXE2/A, VXF, VXF/A, VZD, VXE4	
			1	-	-	1	-		
			-	(1)	-	-	-		
	94001-04390-0S	.....	1	-	-	1	-	QAF1, QAF3, QAF6, QDA1, QDE1, QXA, QXAP, QXAU, QXA1, QXA3, QXA4, QXA6, QXC4, QXE1, QXE3, QXF6, QYA, QYA4, TXF2, VXA1, VXE1, VXE2, VXE4, VZD	
			1	-	-	1	-		
			-	(1)	-	-	-		
20	94111-04800	WASHER, SPRING, 4MM .....	1	-	1	1	-	QAF1, QAF1/A, QAF3, QAF6, QAF6/A, QAF9, QAF9/A, QAX1, QAX1/A, QDA1, QDE1, QWA6, QWA6/A, QWF6, QWF6/A, QXA, QXA/A, QXAP, QXAU, QXA1, QXA3, QXA3/A, QXA4, QXA6, QXA6/A, QXC2, QXC2/A, QXC4, QXE1, QXE1/A, QXE3, QXE4, QXE4/A, QXE5, QXE5/A, QXE8, QXE8/A, QXF, QXF/A, QXF6, QXF6/A, QXF8, QXF8/A, QYA, QYA/A, QYA4, QZB, QZB/A, QZB2, QZB2/A, QZB3, QZB3/A, QZD, QZD/A, QZE3, QZE3/A, QZE4, QZE4/A, QZF1, QZF1/A, QZF2, QZF2/A, QZF8, QZF8/A, TXF2, TXF2/A, VEP4, VEP4/A, VXA1, VXA1/A, VXA5, VXA5/A, VXE1, VXE1/A, VXE2, VXE2/A, VXF, VXF/A, VZD, VXE4	
			1	-	-	-	-		
			-	(1)	-	-	-		
21	95701-06010-00	BOLT, FLANGE, 6X10 .....	1	-	1	1	-	QAF1, QAF1/A, QAF3, QAF6, QAF6/A, QAF9, QAF9/A, QAX1, QAX1/A, QDA1, QDE1, QWA6, QWA6/A, QWF6, QWF6/A, QXA, QXA/A, QXAP, QXAU, QXA1, QXA3, QXA3/A, QXA4, QXA6, QXA6/A, QXC2, QXC2/A, QXC4, QXE1, QXE1/A, QXE3, QXE4, QXE4/A, QXE5, QXE5/A, QXE8, QXE8/A, QXF, QXF/A, QXF1, QXF6, QXF6/A, QXF8, QXF8/A, QYA, QYA/A, QYA4, QZB, QZB/A, QZB2, QZB2/A, QZB3, QZB3/A, QZD, QZD/A, QZE3, QZE3/A, QZE4, QZE4/A, QZF1, QZF1/A, QZF2, QZF2/A, QZF8, QZF8/A, SAE1/A, TXF2, TXF2/A, VABP, VDB2, VDB2/A, VEP4, VEP4/A, VXA1, VXA1/A, VXA5, VXA5/A, VXE1, VXE1/A, VXE2, VXE2/A, VXF, VXF/A, VZD	
			1	-	-	-	-	QAF5, QAF7, QAF8, QXF3, SAE1, SAF1, VXE4	
			-	(1)	-	-	-		
			-	-	1	-	-	2020811 SAE1	



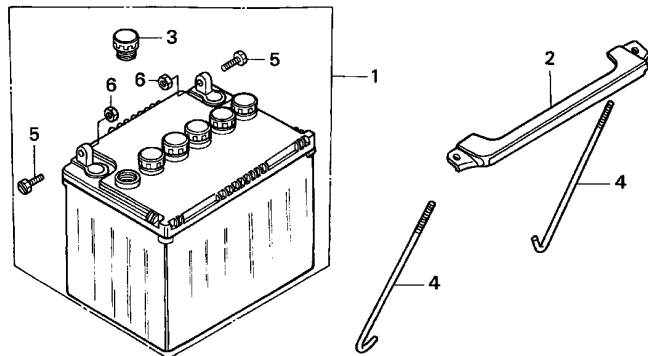


Ref. No.	Part No.	Description	Reqd. QTY					Serial No.	Parts catalogue code
			GX 620 (1)	GX 620 (2)	GX 620 K1 (1)	GX 620 (3)	GX 620 K1 (2)		
22	95701-06012-00	BOLT, FLANGE, 6X12 .....	2	-	2	2	-	QAF1, QAF1/A, QAF3, QAF6, QAF6/A, QAF9, QAF9/A, QAX1, QAX1/A, QDA1, QDE1, QWA6, QWA6/A, QWF6, QWF6/A, QXA, QXA/A, QXAP, QXAU, QXA1, QXA3, QXA3/A, QXA4, QXA6, QXA6/A, QXC2, QXC2/A, QXC4, QXE1, QXE1/A, QXE3, QXE4, QXE4/A, QXE5, QXE5/A, QXE8, QXE8/A, QXF, QXF/A, QXF6, QXF6/A, QXF8, QXF8/A, QYA, QYA/A, QYA4, QYF, QYF/A, QZB, QZB/A, QZB2, QZB2/A, QZB3, QZB3/A, QZD, QZD/A, QZE3, QZE3/A, QZE4, QZE4/A, QZF1, QZF1/A, QZF2, QZF2/A, QZF8, QZF8/A, TXF2, TXF2/A, VEP4, VEP4/A, VXA1, VXA1/A, VXA5, VXA5/A, VXE1, VXE1/A, VXE2, VXE2/A, VXF, VXF/A, VZD, VXE4	
			2	-	-	-	-		
23	95701-06032-00	BOLT, FLANGE, 6X32 .....	1	-	1	-	-	QAX1, QAX1/A, QDA1, QDE1, QWA6, QWA6/A, QXA, QXA/A, QXA3, QXA3/A, QXA6, QXA6/A, QXC2, QXC2/A, QXE1, QXE1/A, QXE5, QXE5/A, QXE8, QXE8/A, QYA, QYA/A, QZD, QZD/A, QZE3, QZE3/A, QZE4, QZE4/A, VDB2/A, VEP4, VEP4/A, VXA1, VXA1/A, VXE1, VXE1/A, VXE2, VXE2/A, QAF7, QXAP, QXAU, QXA1, QXA4, QXC4, QXE3, QYA4, VXP, VXAU, VXA3, VXE4, VYA1, VYA3, VZA1, VZA3, VZD	
			1	-	-	1	-		
			1	-	-	-	1028590	VXE8	
			-	(1)	-	-	-		
			-	-	1	-	2030545	VDB2	

Ref. No.	Part No.	Description	Reqd. QTY					Serial No.	Parts catalogue code
			GX 620	GX 620	GX 620 K1	GX 620	GX 620 K1		
			(1)	(2)	(1)	(3)	(2)		
24	98200-32500	FUSE, BLADE (25A) .....	1	-	1	1	-	QAF1, QAF1/A, QAF3, QAF6, QAF6/A, QAF9, QAF9/A, QAX1, QAX1/A, QDA1, QDE1, QWA6, QWA6/A, QWF6, QWF6/A, QXA, QXA/A, QXAP, QXAU, QXA1, QXA3, QXA3/A, QXA4, QXA6, QXA6/A, QXC2, QXC2/A, QXC4, QXE1, QXE1/A, QXE3, QXE4, QXE4/A, QXE5, QXE5/A, QXE8, QXE8/A, QXF, QXF/A, QXF6, QXF6/A, QXF8, QXF8/A, QYA, QYA/A, QYA4, QZB, QZB/A, QZB2, QZB2/A, QZB3, QZB3/A, QZD, QZD/A, QZE3, QZE3/A, QZE4, QZE4/A, QZF1, QZF1/A, QZF2, QZF2/A, QZF8, QZF8/A, SAF1, SAF1/A, TXF2, TXF2/A, VEP4, VEP4/A, VXA1, VXA1/A, VXA5, VXA5/A, VXE1, VXE1/A, VXE2, VXE2/A, VXF, VXF/A, VXZ4/A, VYA1, VYA3, VYA3/A, VYE3, VYE3/A, VZA1, VZD, QAF5, VXE4	
			1	-	-	-	-		
			-	(1)	-	-	-		
26	91504-750-003	CLIP, WIRE HARNESS .....	-	-	1	-	-	VXZ4	
			-	-	1	-	-	QAF1, QAF1/A, QAF6, QAF6/A, QAF9, QAF9/A, QAX1, QAX1/A, QWA6, QWA6/A, QWF6, QWF6/A, QXA, QXA/A, QXA3, QXA3/A, QXA6, QXA6/A, QXC2, QXC2/A, QXE1, QXE1/A, QXE4, QXE4/A, QXE5, QXE5/A, QXE8, QXE8/A, QXF, QXF/A, QXF6, QXF6/A, QXF8, QXF8/A, QYA, QYA/A, QZB, QZB/A, QZB2, QZB2/A, QZB3, QZB3/A, QZD, QZD/A, QZE3, QZE3/A, QZE4, QZE4/A, QZF1, QZF1/A, QZF2, QZF2/A, QZF8, QZF8/A, TXF2, TXF2/A, VEP4, VEP4/A, VXA1, VXA1/A, VXA5, VXA5/A, VXE1, VXE1/A, VXE2, VXE2/A, VXF, VXF/A, QAF1, QAF1/A, QAF6, QAF6/A, QAF9, QAF9/A, QXC2, QXC2/A, QXE1, QXE1/A, QZB2, QZB2/A, QZB3, QZB3/A, QZF1, QZF1/A, TXF2, TXF2/A, VEP4, VEP4/A, VXA1, VXA1/A, VXA5, VXA5/A, VXE2, VXE2/A	
27	32171-GJ1-003	CLIP, WIRE HARNESS .....	-	-	1	-	-	VXC, VXC/A	
28	31600-ZE2-861	RECTIFIER ASSY., REGULATOR (10A)	-	-	-	-	1	QAF1, QAF1/A, QAF6, QAF6/A, QAF9, QAF9/A, QZD, QZD/A, VXC, VXC/A	
29	32823-ZV5-003	PLUG, INNER CONNECTOR .....	-	-	1	-	1	QAX1, QAX1/A	
30	31604-ZJ7-800	BRACKET, REGULATOR RECTIFIER	-	-	1	-	-	VEP4, VEP4/A	
31	31750-735-003	RECTIFIER COMP., REGULATOR ..	-	-	1	-	-	VEP4, VEP4/A	
32	32183-ZJ0-890	HARNESS ASSY., REGULATOR RECTIFIER	-	-	1	-	-	VEP4, VEP4/A	



FR.



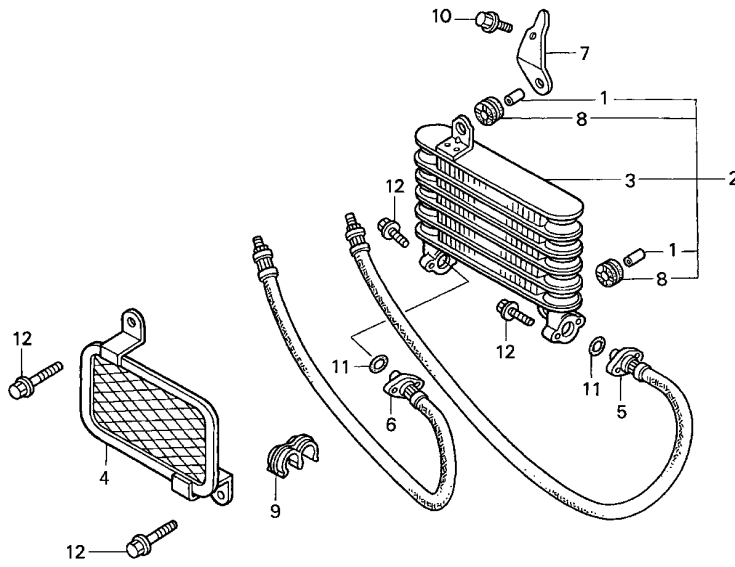
ZJ10-E2320

Ref. L.O.N. (Relative ref. Number) F.R.T.  
No. Description

NO INFORMATION .....

2

Ref. No.	Part No.	Description	Reqd. QTY					Serial No.	Parts catalogue code
			GX 620 (1)	GX 620 (2)	GX 620 K1 (1)	GX 620 (3)	GX 620 K1 (2)		
1	31500-ZJ1-000	BATTERY ASSY. (32A19L)(YUASA)	1	-	1	-	-	-----	VZE1,VZE7,VZE7/A,VZE8,VZE8/A
2	31512-ZA0-000	PLATE, BATTERY SETTING .....	1	-	1	-	-	-----	VZE1,VZE7,VZE7/A,VZE8,VZE8/A
3	31542-ZJ1-000	PLUG, VENT .....	6	-	6	-	-	-----	VZE1,VZE7,VZE7/A,VZE8,VZE8/A
4	90001-728-760	BOLT, BATTERY SETTING .....	2	-	2	-	-	-----	VZE1,VZE7,VZE7/A,VZE8,VZE8/A
5	90122-ZA0-007	BOLT, BATTERY TERMINAL .....	2	-	2	-	-	-----	VZE1,VZE7,VZE7/A,VZE8,VZE8/A
6	90306-463-740	NUT, BATTERY TERMINAL .....	2	-	2	-	-	-----	VZE1,VZE7,VZE7/A,VZE8,VZE8/A

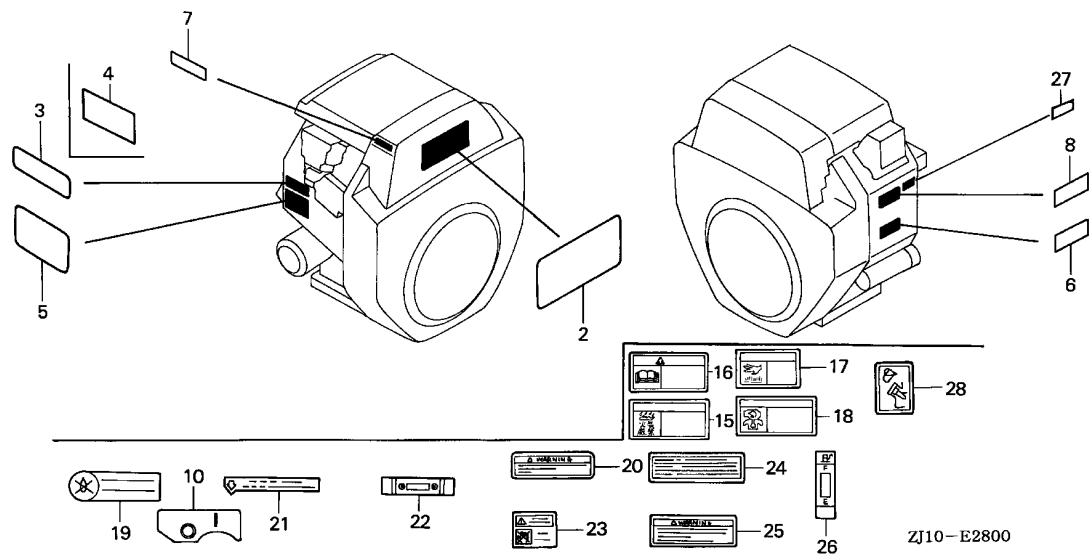


Ref. No.	L.O.N.	(Relative ref. Number) Description	F.R.T.
2	1131A0	COOLER ASSEMBLY, ENGINE OIL ..	0.3
3	1131A1	COOLER, ENGINE OIL .....	0.3
4	1131A5	GRILLE, OIL COOLER .....	0.1
5		(11)	
	1131A6	HOSE A, OIL COOLER .....	0.2
6		(11)	
	1131A7	HOSE B, OIL COOLER .....	0.2
8	1131B8	RUBBER, OIL COOLER MOUNTING ..	0.1
.NOTE: Same time for two units			

Ref. No.	Part No.	Description	Reqd. QTY					Serial No.	Parts catalogue code
			GX 620 (1)	GX 620 (2)	GX 620 K1 (1)	GX 620 (3)	GX 620 K1 (2)		
1	11513-MN5-300	COLLAR, 12MM .....	-	-	2	-	2	----- SYA, SYA/A, VXC1, VXC1/A, VXC2, VXC2/A	
2	15605-ZN1-000	COOLER ASSY., OIL .....	-	-	-	-	1	----- VXC1, VXC1/A, VXC2, VXC2/A	
3	15610-ZN1-000	COOLER COMP., OIL .....	-	-	1	-	1	----- SYA, SYA/A, VXC1, VXC1/A, VXC2, VXC2/A	
4	15613-ZN1-000	GRILLE, OIL COOLER .....	-	-	-	-	1	----- VXC1, VXC1/A, VXC2, VXC2/A	
5	15614-ZJ1-R51	HOSE A, OIL .....	-	-	1	-	-	----- SYA, SYA/A	
	15614-ZN1-003	.....	-	-	-	-	1	----- VXC1, VXC1/A, VXC2, VXC2/A	
6	15616-ZJ1-R51	HOSE B, OIL .....	-	-	1	-	-	----- SYA, SYA/A	
	15616-ZN1-003	.....	-	-	-	-	1	----- VXC1, VXC1/A, VXC2, VXC2/A	
7	15676-ZN1-000	STAY, OIL COOLER .....	-	-	-	-	1	----- VXC1, VXC1/A, VXC2, VXC2/A	
8	19051-KA3-830	RUBBER, RADIATOR MOUNTING ..	-	-	2	-	2	----- SYA, SYA/A, VXC1, VXC1/A, VXC2, VXC2/A	
9	19314-PH6-000	CLAMP, HOSE (D13.5) .....	-	-	-	-	1	----- VXC1, VXC1/A, VXC2, VXC2/A	
10	90014-952-000	BOLT, FLANGE, 6X14(CT200) ..	-	-	-	-	1	----- VXC1, VXC1/A, VXC2, VXC2/A	
11	91314-ME5-003	O-RING, 10X2.6(ARAI) .....	-	-	2	-	2	----- SYA, SYA/A, VXC1, VXC1/A, VXC2, VXC2/A	
12	95701-06022-00	BOLT, FLANGE, 6X22 .....	-	-	-	-	6	----- VXC1, VXC1/A, VXC2, VXC2/A	







Ref. L.O.N. (Relative ref. Number) F.R.T.  
No. Description

NO INFORMATION .....

2

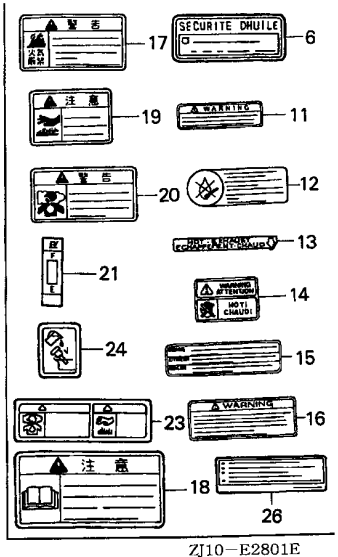
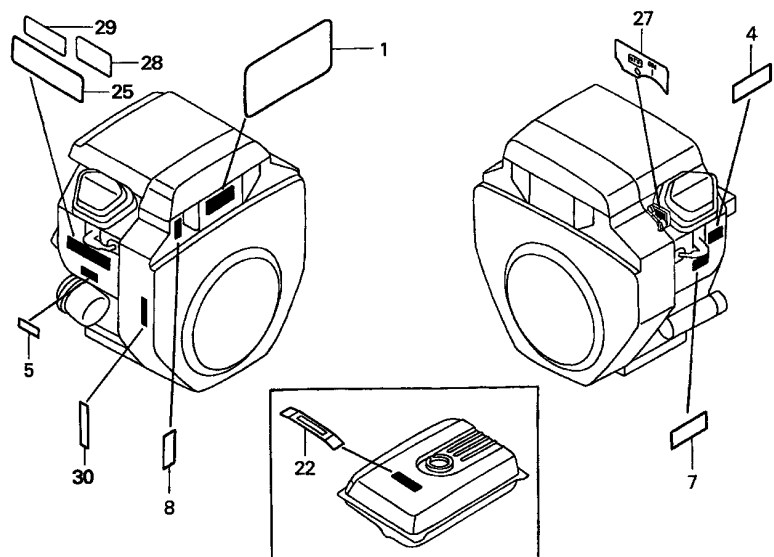
Ref. No.	Part No.	Description	Reqd. QTY					Serial No.	Parts catalogue code
			GX 620 (1)	GX 620 (2)	GX 620 K1 (1)	GX 620 (3)	GX 620 K1 (2)		
2	87101-ZJ1-000	EMBLEM (GX620) .....	1	(1)	-	1	-		
3	87152-ZJ1-000	LABEL, SPECIFICATION (GX620)	1	(1)	-	1	-		
4	87522-ZH8-W40	MARK, CAUTION (PICTOGRAPH) ..	1	-	-	1	-	QAB4, QAF4, QAF8, QDF4, QXA4, QXC4, QYA4, QYF4, QZX4, VABP, VAF4, VXE4, VXE8, VXZ4, VZF1	
5	87522-ZJ1-000	LABEL, CAUTION .....	1	-	-	-	-	1007428 QAF3	
			1	-	-	-	-	QAB, QAB6, QAC6, QAF, QAF1, QAF2, QAF5, QAF6, QAF7, QAP2, QDA1, QDE1, QDF, QDF6, QDW, QXA, QXA1, QXA3, QXA6, QXB1, QXE1, QXE3, QXF6, QYA, QYF, QYF6, QZZ, SAF1, TXF2, VAF, VAF6, VXA1, VXA3, VXE1, VXE2, VYA1, VYA3, VZA1, VZA3, VZD, VZE1, VZE5, VZE7, VZE8	
			-	(1)	-	1	-	1007427 QAF3	
6	87150-ZH8-000	MARK, CAUTION (JAPANESE) ....	1	-	-	-	-	QXE3, QXF3, SAE1, VYA1, VYA3	
	87532-ZB4-G60	MARK, OIL ALERT (GERMAN) ....	1	-	-	-	-	1010216 QAF5, QAF6, QXF1	
	87532-ZB4-H50	MARK, OIL ALERT (FRENCH) ....	1	-	-	-	-	1001970 QXA1, QXA6, QXE1, VXE1	
	87532-ZH8-810	MARK, OIL ALERT (EXTERNAL) ..	1	-	-	-	-	1001970 QXA, QYA	
	87106-ZE9-V00	LABEL, FUEL CAUTION .....	1	-	-	-	-	1010339 VXA3	
7	87532-ZH8-W40	MARK, THROTTLE INDICATION ...	1	-	-	-	-	1001970 QXA1, QXA6, QXE1, QXF6, VXE1	
			1	-	-	-	-	1010339 QXA, QYA	
			1	-	-	-	-	VXA3	
			1	-	-	-	-	VXE2	
			1	-	-	-	-	QAB4, QAF4, QDF4, QXA4, QXC4, QYA4, QYF4, QZX4, VAF4, VXE4, VXE8, VZF1	
			1	-	-	-	-	1007428 QAF3	

Ref. No.	Part No.	Description	Reqd. QTY					Serial No.	Parts catalogue code
			GX 620	GX 620	GX 620 K1	GX 620 (3)	GX 620 K1 (2)		
8	87532-ZH8-810	MARK, OIL ALERT (EXTERNAL) ..	1	-	-	1	-	-----	QXA,QXAP,QXAU,QXA1,QXA3,QXA6,QXB1,QXE1,QXF6,QYA,TFX2,VABP VXAP,VXAU,VXA1,VXA3,VXE1,VYA1,VYA3,VZA1,VZA3,VZD,VZE1,VZE5 VZE7,VZE8
	87532-ZH8-000	MARK, OIL ALERT (INTERNAL) ..	-	(1)	-	-	-	-----	QXE3,QXF1,QXF3
10	87532-ZH9-W40	MARK, ENGINE SWITCH (EC) ....	1	-	-	-	-	-----	1000029 VXZ4
15	87106-737-J00	MARK, FUEL WARNING .....	1	-	-	-	-	-----	QXE3,QXF3,VYA1,VYA3
			1	-	-	-	1010216	-----	QAF5,QAF6,QXF1
			(1)	-	-	-	-	-----	VZA3
16	87150-ZH8-000	MARK, CAUTION (JAPANESE) ....	(1)	-	-	-	-	-----	VZA3
17	87539-737-J00	MARK, HEAT CAUTION .....	1	-	-	-	-	-----	QXE3,QXF3,VYA1,VYA3
			1	-	-	-	1010216	-----	QAF5,QAF6,QXF1
			(1)	-	-	-	-	-----	VZA3
18	87561-733-J00	MARK, EX. GAS WARNING .....	1	-	-	-	-	-----	QXE3,QXF3,VYA1,VYA3
			1	-	-	-	1010216	-----	QAF5,QAF6,QXF1
			(1)	-	-	-	-	-----	VZA3
19	87522-883-660	MARK, CAUTION (ENGLISH/FRENCH/SPANISH)	1	-	-	-	-	-----	VYA1,VYA3,VZA1,VZA3,VZE1,VZE7,VZE8
20	87168-ZC3-630	LABEL, RAIN WARNING (ENGLISH)	1	-	-	-	-	-----	VZE1,VZE7,VZE8
21	87539-898-620	MARK, EX. CAUTION (ENGLISH/FRENCH)	1	-	-	-	-	-----	VYA1,VYA3,VZA1,VZA3
			1	-	-	-	1014376	-----	VZE1
	87539-ZB2-630	MARK, EX. CAUTION .....	1	-	-	-	-	-----	VZE7,VZE8
			1	-	-	-	1014377	-----	VZE1
22	87565-ZB4-A00	PLATE, FUEL INDICATION .....	1	-	-	-	-	-----	SAF1,VYA1,VZA1,VZE1
23	87539-ZC6-650	MARK, EX. WARNING (ENGLISH/FRENCH)	1	-	-	-	-	-----	VZE1,VZE7,VZE8
24	87561-880-600	MARK, CAUTION (ENGLISH/FRENCH/SPANISH)	1	-	-	-	-	-----	VZE1,VZE7,VZE8
25	87563-ZB4-631	LABEL, CONNECT WARNING (ENGLISH)	1	-	-	-	-	-----	VZE1,VZE7,VZE8
26	87565-ZA7-000	MARK, FUEL METER .....	1	-	-	-	-	-----	VYA3,VZA3,VZE1,VZE7,VZE8
27	87586-ZH7-W00	LABEL, FUEL CAUTION .....	2	-	-	-	-	-----	1007831 VXA3
28	87594-ZB4-620	MARK, OIL CAUTION .....	1	-	-	-	-	-----	VZE1

E-28-1

LABEL(GX620K1)

2-D10



Ref. L.O.N. (Relative ref. Number) F.R.T.  
No. Description

NO INFORMATION .....

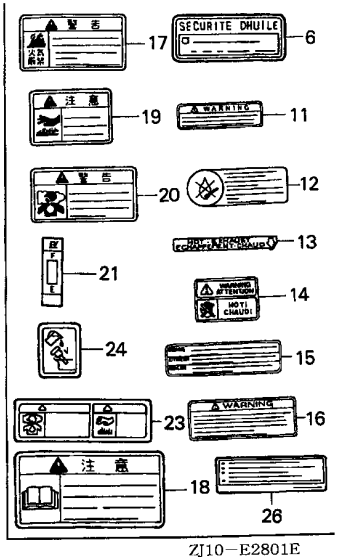
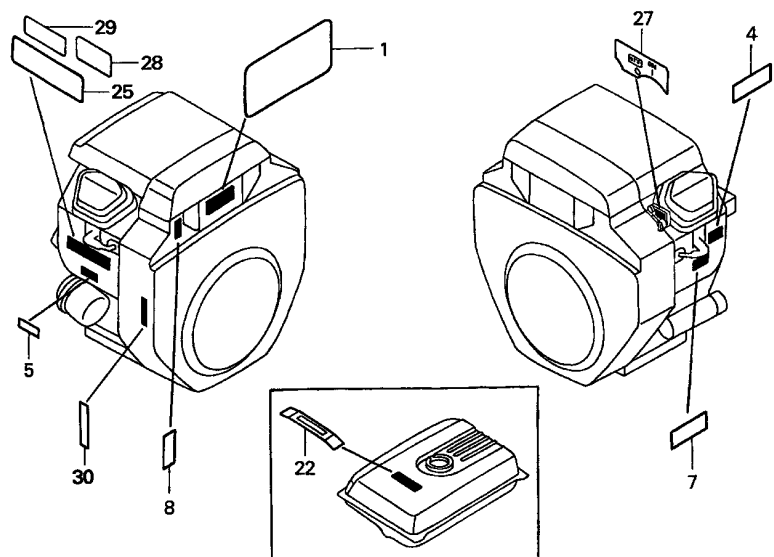
ZJ10-E2801E

Ref. No.	Part No.	Description	Reqd. QTY					Serial No.	Parts catalogue code
			GX 620 (1)	GX 620 (2)	GX 620 K1 (1)	GX 620 (3)	GX 620 K1 (2)		
1	87101-ZJ1-840	EMBLEM .....	-	-	1	-	-	----- QXF3,VYA1 ----- 2060049 QAB,QAB6,QAD2,QAF,QAF1,QAF2,QAF5,QAF6,QAF7,QAF8,QDF,QDF6 QDW,QXA,QXA3,QXA6,QXB1,QXC2,QXE1,QXE4,QXE5,QXE7,QXE8,QXF QXF4,QXF6,QXF8,QXW2,QXW4,QYA,QYF,QZB,QZB2,QZB3,QZD,QZE3 QZE4,QZF1,QZF2,QZX4,QZX5,SAE1,SAF1,TFX2,VAF,VAF6,VDB2,VDC2 VXA1,VXA4,VXA5,VXA6,VXD4,VXE1,VXE2,VXE4,VXE8,VXF,VXF4,VXP2 VXZ4,VYA3,VZA1,VZE7,VZE8	
	87101-ZJ1-841	MARK, EMBLEM (20.0) .....	-	-	1	-	-	----- QAB/A,QAB6/A,QAD2/A,QAF/A,QAF1/A,QAF2/A,QAF5/A,QAF6/A QAF7/A,QAF8/A,QAF9,QAF9/A,QAX1,QAX1/A,QDF/A,QDF6/A,QDP2 QDP2/A,QDW/A,QWA6,QWA6/A,QWF6,QWF6/A,QXA/A,QXA3/A,QXA6/A QXB1/A,QXC2/A,QXE1/A,QXE4/A,QXE5/A,QXE7/A,QXE8/A,QXF/A QXF4/A,QXF6/A,QXF8/A,QXW2/A,QXW4/A,QYA/A,QYD,QYD/A,QYF/A QZB/A,QZB2/A,QZB3/A,QZD/A,QZE3/A,QZE4/A,QZF1/A,QZF2/A,QZF8 QZF8/A,QZX1,QZX1/A,QZX4/A,QZX5/A,SAE1/A,SAF1/A,TFX2/A,VAB2 VAB2/A,VAB3,VAB3/A,VAF/A,VAF6/A,VDB2/A,VDC2/A,VEP4,VEP4/A VXA1/A,VXA4/A,VXA5/A,VXA6/A,VXD4/A,VXE1/A,VXE2/A,VXE4/A VXE8/A,VXF/A,VXF4/A,VXP2/A,VXZ4/A,VYA3/A,VYE3,VYE3/A VZE7/A,VZE8/A	
			-	-	1	-	-	----- 2060050 QAB,QAB6,QAD2,QAF,QAF1,QAF2,QAF5,QAF6,QAF7,QAF8,QDF,QDF6 QDW,QXA,QXA3,QXA6,QXB1,QXC2,QXE1,QXE4,QXE5,QXE7,QXE8,QXF QXF4,QXF6,QXF8,QXW2,QXW4,QYA,QYF,QZB,QZB2,QZB3,QZD,QZE3 QZE4,QZF1,QZF2,QZX4,QZX5,SAE1,SAF1,TFX2,VAF,VAF6,VDB2,VDC2 VXA1,VXA4,VXA5,VXA6,VXD4,VXE1,VXE2,VXE4,VXE8,VXF,VXF4,VXP2 VXZ4,VYA3,VZA1,VZE7,VZE8	

2

Ref. No.	Part No.	Description	Reqd. QTY					Serial No.	Parts catalogue code
			GX 620	GX 620	GX 620 K1	GX 620	GX 620 K1		
			(1)	(2)	(1)	(3)	(2)		
4	87152-ZJ1-000	LABEL, SPECIFICATION (GX620)	-	-	1	-	-	-----	QXF3,VYA1
			-	-	1	-	-	-----	2050189 QAB,QAB6,QAF,QAF1,QAF2,QAF5,QAF6,QAF7,QAF8,QDF,QDF6,QDW QXA,QXA3,QXA6,QXB1,QXC2,QXE1,QXE4,QXE5,QXE7,QXE8,QXF,QXF4 QXF6,QXF8,QXW2,QXW4,QYA,QYF,QZB,QZB2,QZB3,QZD,QZE3,QZE4 QZF1,QZF2,QZX4,QZX5,SAE1,SAF1,TFX2,VAF,VAF6,VDB2,VXA1,VXA4 VXA5,VXA6,VXD4,VXE1,VXE2,VXE4,VXE8,VXF,VXF4,VXP2,VXZ4,VYA3 VZA1,VZE7,VZE8
	87152-ZJ1-010	.....	-	-	1	-	-	-----	QAB/A,QAB6/A,QAD2,QAD2/A,QAF/A,QAF1/A,QAF2/A,QAF5/A,QAF6/A QAF7/A,QAF8/A,QAF9,QAF9/A,QAX1,QAX1/A,QDF/A,QDF6/A,QDP2 QDP2/A,QDW/A,QWA6,QWA6/A,QWF6,QWF6/A,QXA/A,QXA3/A,QXA6/A QXB1/A,QXC2/A,QXE1/A,QXE4/A,QXE5/A,QXE7/A,QXE8/A,QXF/A QXF4/A,QXF6/A,QXF8/A,QXW2/A,QXW4/A,QYA/A,QYD,QYD/A,QYF/A QZB/A,QZB2/A,QZB3/A,QZD/A,QZE3/A,QZE4/A,QZF1/A,QZF2/A,QZF8 QZF8/A,QZX1,QZX1/A,QZX4/A,QZX5/A,SAE1/A,SAF1/A,TFX2/A,VAB2 VAB2/A,VAB3,VAB3/A,VAF/A,VAF6/A,VDB2/A,VDC2,VDC2/A,VEP4 VEP4/A,VXA1/A,VXA4/A,VXA5/A,VXA6/A,VXD4/A,VXE1/A,VXE2/A VXE4/A,VXE8/A,VXF/A,VXF4/A,VXP2/A,VXZ4/A,VYA3/A,VYE3 VYE3/A,VZE7/A,VZE8/A
			-	-	1	-	-	-----	2050190 QAB,QAB6,QAF,QAF1,QAF2,QAF5,QAF6,QAF7,QAF8,QDF,QDF6,QDW QXA,QXA3,QXA6,QXB1,QXC2,QXE1,QXE4,QXE5,QXE7,QXE8,QXF,QXF4 QXF6,QXF8,QXW2,QXW4,QYA,QYF,QZB,QZB2,QZB3,QZD,QZE3,QZE4 QZF1,QZF2,QZX4,QZX5,SAE1,SAF1,TFX2,VAF,VAF6,VDB2,VXA1,VXA4 VXA5,VXA6,VXD4,VXE1,VXE2,VXE4,VXE8,VXF,VXF4,VXP2,VXZ4,VYA3 VZA1,VZE7,VZE8
5	87516-YE9-660	MARK, OPERATOR CAUTION .....	-	-	1	-	-	-----	2031305 QAF8,QXE4,QXE7,QXE8,QXF,QXF4,QZE3,QZE4,QZX4,VXE4,VXE8,VXF VXF4,VXZ4
	87516-YF3-660	.....	-	-	1	-	-	-----	QAF8/A,QDP2,QDP2/A,QXB1,QXB1/A,QXE4/A,QXE7/A,QXE8/A,QXF/A QXF4/A,QXW4,QXW4/A,QYD,QYD/A,QZE3/A,QZE4/A,QZX4/A,QZX5 QZX5/A,TFX2,TFX2/A,VEP4,VEP4/A,VXA4,VXA4/A,VXA5,VXA5/A VXA6,VXA6/A,VXD4,VXD4/A,VXE2,VXE2/A,VXE4/A,VXE8/A,VXF/A VXF4/A,VXP2,VXP2/A,VXZ4/A
			-	-	1	-	-	-----	2031306 QAF8,QXE4,QXE7,QXE8,QXF,QXF4,QZE3,QZE4,QZX4,VXE4,VXE8,VXF VXF4,VXZ4
6	87530-ZL8-820	MARK, OIL ALERT (FRENCH) .....	-	-	1	-	-	-----	QWA6,QWA6/A,QWF6,QWF6/A,QXA6,QXA6/A,QXF6,QXF6/A
7	87532-ZH8-810	MARK, OIL ALERT (EXTERNAL) ..	-	-	1	-	1	-----	QWA6,QWA6/A,QWF6,QWF6/A,QXA,QXA/A,QXA3,QXA3/A,QXA6,QXA6/A QXB1,QXC2,QXC2/A,QXE1,QXE1/A,QXE5,QXE5/A,QXF6,QXF6/A,QXF8 QXF8/A,QXW2,QXW2/A,QYA,QYA/A,QZB,QZB/A,QZB2,QZB2/A,QZB3 QZB3/A,QZF1,QZF1/A,QZF2,QZF2/A,QZF8,QZF8/A,VDB2,VDB2/A VXA1,VXA1/A,VXC1,VXC1/A,VXC2,VXC2/A,VXD4,VXD4/A,VXE1 VXE1/A,VYA1,VYA3,VYA3/A,VYE3,VYE3/A,VZA1
	87532-ZH8-000	MARK, OIL ALERT (INTERNAL) ..	-	-	1	-	-	-----	QXF3
8	87532-ZJ1-840	MARK, THROTTLE INDICATION ...	-	-	1	-	-	-----	QAF1,QAF1/A,QAF2,QAF2/A,QAF6,QAF6/A,QAF7,QAF7/A,QAF9 QAF9/A,QAX1,QAX1/A,QDF,QDF/A,QDF6,QDF6/A,QDP2,QDP2/A,QWF6 QWF6/A,QXA3,QXA3/A,QXB1,QXC2,QXC2/A,QXE1,QXE1/A,QXE5 QXE5/A,QXE8,QXE8/A,QXF4,QXF4/A,QXF6,QXF6/A,QXF8,QXF8/A,QZB QZB/A,QZB2,QZB2/A,QZB3,QZB3/A,QZE4,QZE4/A,QZF1,QZF1/A,QZF2 QZF2/A,QZF8,QZF8/A,QZX1,QZX1/A,QZX4,QZX4/A,QZX5,QZX5/A TFX2,TFX2/A,VAF,VAF/A,VAF6,VAF6/A,VEP4,VEP4/A,VXA1,VXA1/A VXE1,VXE1/A,VXE2,VXE2/A,VXE4,VXE4/A,VXF,VXF/A,VXP2,VXP2/A VXZ4,VXZ4/A,VYA1,VYA3,VYA3/A,VYE3,VYE3/A,VZA1
			-	-	2	-	-	-----	QXB1/A
11	87522-883-660	MARK, CAUTION (ENGLISH/FRENCH/SPANISH)	-	-	1	-	-	-----	VYA1,VYA3,VYA3/A,VYE3,VYE3/A,VZA1,VZE7,VZE7/A,VZE8,VZE8/A
12	87168-ZC3-630	LABEL, RAIN WARNING (ENGLISH)	-	-	1	-	-	-----	VZE7,VZE7/A,VZE8,VZE8/A
13	87539-ZB2-630	MARK, EX. CAUTION .....	-	-	1	-	-	-----	VZE7,VZE7/A,VZE8,VZE8/A





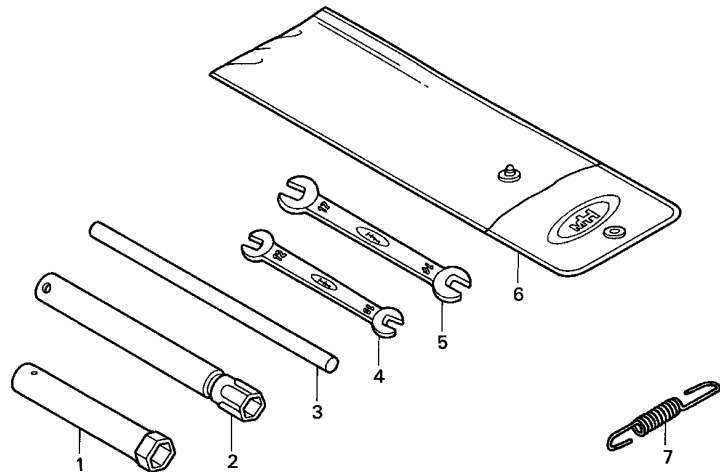
ZJ10-E2801E

Ref. No.	Part No.	Description	Reqd. QTY					Serial No.	Parts catalogue code
			GX 620 (1)	GX 620 (2)	GX 620 K1 (1)	GX 620 (3)	GX 620 K1 (2)		
13)	87539-898-620	MARK, EX. CAUTION (ENGLISH/FRENCH)	-	-	1	-	-	----- VYA1,VYA3,VYA3/A,VYE3,VYE3/A,VZA1	
14	87539-ZC6-650	MARK, EX. WARNING (ENGLISH/FRENCH)	-	-	1	-	-	----- VZE7,VZE7/A,VZE8,VZE8/A	
15	87561-880-600	MARK, CAUTION (ENGLISH/FRENCH/SPANISH)	-	-	1	-	-	----- VZE7,VZE7/A,VZE8,VZE8/A	
16	87563-ZB4-631	LABEL, CONNECT WARNING (ENGLISH)	-	-	1	-	-	----- VZE7,VZE7/A,VZE8,VZE8/A	
17	87106-737-J00	MARK, FUEL WARNING .....	-	-	1	-	-	----- QAF5,QAF5/A,QAF6,QAF6/A,QXF3,SAF1/A	
			-	-	1	-	2001253	----- SAF1	
			-	-	1	-	2044317	----- TXF2	
18	87150-ZH8-000	MARK, CAUTION (JAPANESE) ....	-	-	(1)	-	-	----- VYA1,VYA3,VYA3/A,VZA1	
			-	-	1	-	-	----- QAF5,QAF5/A,QAF6,QAF6/A,QXF3,SAE1,SAE1/A	
			-	-	(1)	-	-	----- VYA1,VYA3,VYA3/A,VZA1	
19	87539-737-J00	MARK, HEAT CAUTION .....	-	-	1	-	-	----- QAF5,QAF5/A,QAF6,QAF6/A,QXF3	
			-	-	1	-	-	----- 2044317 TXF2	
			-	-	(1)	-	-	----- VYA1,VYA3,VYA3/A,VZA1	
20	87561-733-J00	MARK, EX. GAS WARNING .....	-	-	1	-	-	----- QAF5,QAF5/A,QAF6,QAF6/A,QXF3	
			-	-	1	-	-	----- 2044317 TXF2	
			-	-	(1)	-	-	----- VYA1,VYA3,VYA3/A,VZA1	
21	87565-ZA7-000	MARK, FUEL METER .....	-	-	1	-	-	----- VYA3,VYA3/A,VYE3,VYE3/A	
22	87565-ZB4-A00	PLATE, FUEL INDICATION .....	-	-	1	-	-	----- SAF1,SAF1/A,VYA1,VZA1	
23	87526-ZH8-000	MARK B, COMBINATION .....	-	-	1	-	-	----- SAF1/A	
			-	-	1	-	2001253	----- SAF1	
24	87594-ZB4-620	MARK, OIL CAUTION .....	-	-	1	-	-	----- SAF1/A	
			-	-	1	-	2001253	----- SAF1	



Ref. No.	Part No.	Description	Reqd. QTY					Serial No.	Parts catalogue code
			GX 620 (1)	GX 620 (2)	GX 620 K1 (1)	GX 620 (3)	GX 620 K1 (2)		
25	87135-ZE2-000	LABEL, E-SPEC (HONDA) (EPA STANDARD)	-	-	1	-	-	----- 2047705 QXF8,QXW4	
			-	-	1	-	-	2031216 2047705 QAF5,QAF6,QAF7,QAF8,QXE1,QXE4,QXE5,QXE7,QXE8,QXF,QXF3,QXF4	
	87135-ZE2-010	LABEL, E-SPEC (EPA STANDARD)	-	-	1	-	-	2047706 ----- QXF3,VYA1	
			-	-	1	-	-	2065726 QAX1,QZF8,QZX1,QZX5,VYE3	
			-	-	1	-	-	2047706 2065726 QAF5,QAF6,QAF7,QAF8,QXE1,QXE4,QXE5,QXE7,QXE8,QXF,QXF4,QXF8	
								QXW4,QZB,QZD,QZE3,QZE4,QZF1,QZF2,QZX4,SAE1,VXA5,VXA6,VXE1	
								VXE4,VXF,VXF4,VXZ4,VYA3,VZE7,VZE8	
26	87522-ZH9-010	LABEL, CAUTION (ENGLISH, ETC.)	-	-	1	-	-	----- QAD2,QAD2/A,QDP2,QDP2/A,QXB1,QXB1/A,TXF2,TXF2/A,VXE2	
27	87532-ZH9-W41	MARK, ENGINE SWITCH .....	-	-	1	-	-	----- QZX1,QZX1/A	
28	87135-ZE2-020	LABEL, E-SPEC (15.5X27.5) ...	-	-	1	-	-	----- QAF5/A,QAF6/A,QAF7/A,QAF8/A,QAX1/A,QWA6,QWF6,QXE1/A,QXE5/A	
								QXF8/A,QZB/A,QZD/A,QZF1/A,QZF2/A,QZF8/A,QZX1/A,SAE1/A	
			-	-	1	-	-	2065727 ----- QAF5,QAF6,QAF7,QAF8,QAX1,QXE1,QXE5,QXF8,QZB,QZD,QZF1,QZF2	
			-	-	1	-	-	2065727 2106217 QZF8,QZX1,SAE1,VXE1,VYA3,VYE3,VZE7,VZE8	
			-	-	1	-	-	----- QXE4,QXE7,QXE8,QXF,QXF4,QXW4,QZE3,QZE4,QZX4,QZX5,VXA5,VXA6	
								VXE4,VXF,VXF4,VXZ4	
								----- QAF5/A,QAF6/A,QAF7/A,QAF8/A,QAX1/A,QXE1/A,QXE5/A,QXF8/A	
								QZB/A,QZD/A,QZF1/A,QZF2/A,QZF8/A,QZX1/A,SAE1/A,VXE1/A	
								VYA3/A,VYE3/A,VZE7/A,VZE8/A	
29	87114-ZH7-000	LABEL, WARNING (NOT CERTIFIED FOR SALE)	-	-	1	-	-	----- QAF5/A,QAF6/A,QAF7/A,QAF8/A,QAX1/A,QXE1/A,QXE5/A,QZD/A	
			-	-	1	-	-	2139610 ----- QZX1/A,SAE1/A,VYA3/A,VYE3/A,VZE7/A,VZE8/A	
								----- QAF5,QAF6,QAF7,QAF8,QAX1,QXE1,QXE5,QZD,QZX1,SAE1,VYA3,VYE3	
								VZE7,VZE8	
30	87637-ZM3-800	MARK (C-TICK) .....	-	-	1	-	-	----- QAB/A,QXF8/A,QZB/A,QZF1/A,QZF2/A,QZF8/A,VXE1/A	



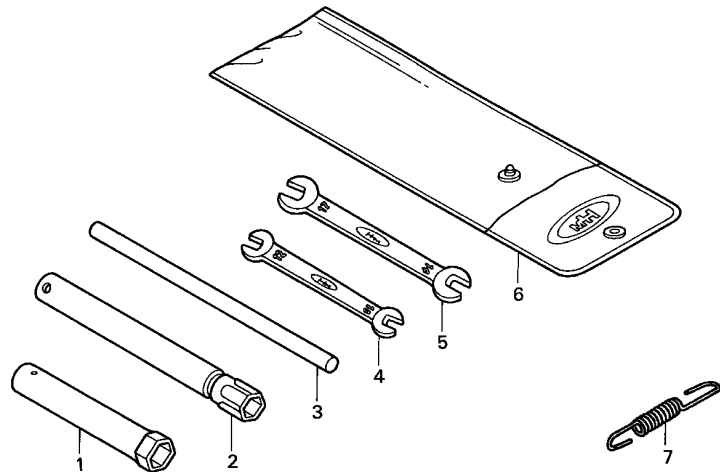


ZJ10-E2900

Ref. L.O.N. (Relative ref. Number) F.R.T.  
No. Description

NO INFORMATION .....

Ref. No.	Part No.	Description	Reqd. QTY					Serial No.	Parts catalogue code
			GX 620 (1)	GX 620 (2)	GX 620 K1 (1)	GX 620 (3)	GX 620 K1 (2)		
1	89216-ZB4-000	WRENCH, PLUG .....	1	-	1	-	-	----- QXE1,QXE1/A,QXE3,QXE5,QXE5/A,VYA1,VYA3,VYA3/A,VYE3,VYE3/A VZA3,VZE7,VZE7/A,VZE8,VZE8/A VZA1 ----- 1023168 ----- VZA1	
2	89218-ZE1-000	WRENCH COMP., SPARK PLUG .....	1	-	1	-	-	----- QAF5,QAF5/A,QAF8,QAF8/A,QXE7,QXE7/A,QXE8,QXE8/A,QXF,QXF/A QXF1,QXF3,QXF4,QXF4/A,QXF8,QXF8/A,QXW2,QXW2/A,QXW4,QXW4/A QZD,QZD/A,QZE3,QZE3/A,QZE4,QZE4/A,SAE1,SAE1/A,SAF1/A,VEP4 VEP4/A,VXA5,VXA5/A,VXA6,VXA6/A,VXE4/A,VXF,VXF/A,VXF4 VXF4/A ----- 1023167 ----- VZA1 ----- VXE4	
3	89219-805-000	HANDLE, BOX WRENCH .....	1	-	1	-	-	----- 2001253 ----- SAF1 ----- SAF1/A,VYA1,VYA3,VYA3/A,VYE3,VYE3/A,VZA3 ----- 1023168 ----- VZA1 ----- VZA1 ----- 2001253 ----- SAF1	
4	99001-10120	SPANNER, 10X12 .....	1	-	1	-	-	----- SAF1/A,VYA1,VYA3,VYA3/A,VYE3,VYE3/A,VZA3 ----- 1023168 ----- VZA1 ----- VZA1 ----- 2001253 ----- SAF1	
5	99001-14170	SPANNER, 14X17 .....	1	-	1	-	-	----- SAF1/A,VYA1,VYA3,VYA3/A,VYE3,VYE3/A,VZA3 ----- 1023168 ----- VZA1 ----- VZA1 ----- 2001253 ----- SAF1	

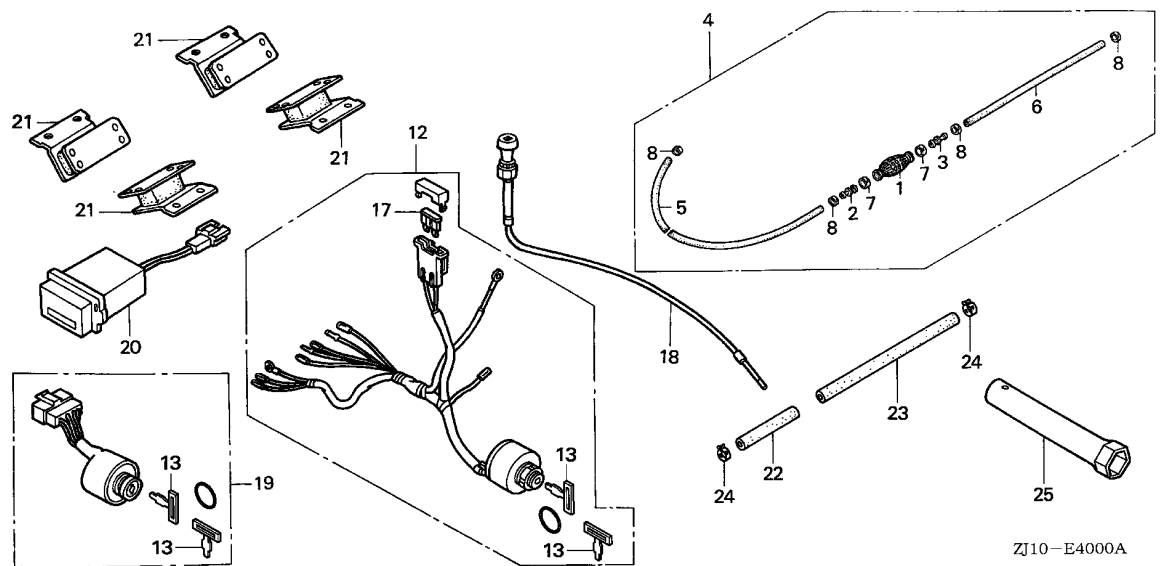


ZJ10-E2900

Ref. No.	Part No.	Description	Reqd. QTY					Serial No.	Parts catalogue code
			GX 620 (1)	GX 620 (2)	GX 620 K1 (1)	GX 620 (3)	GX 620 K1 (2)		
6	99008-02300	BAG, TOOL, 230MM .....	1	-	1	-	-	----- SAF1/A,VYA1,VYA3,VYA3/A,VYE3,VYE3/A,VZA3	
			1	-	-	-	1023168	----- VZA1	
			-	-	1	-	-	----- VZA1	
			-	-	1	-	2001253	----- SAF1	
7	16561-ZJ1-850	SPRING, GOVERNOR (MANUAL) ...	-	-	1	-	-	----- VXD4,VXD4/A,VYA3,VYA3/A,VYE3,VYE3/A	
	16561-ZJ1-860	.....	-	-	1	-	-	----- VXP2,VXP2/A	





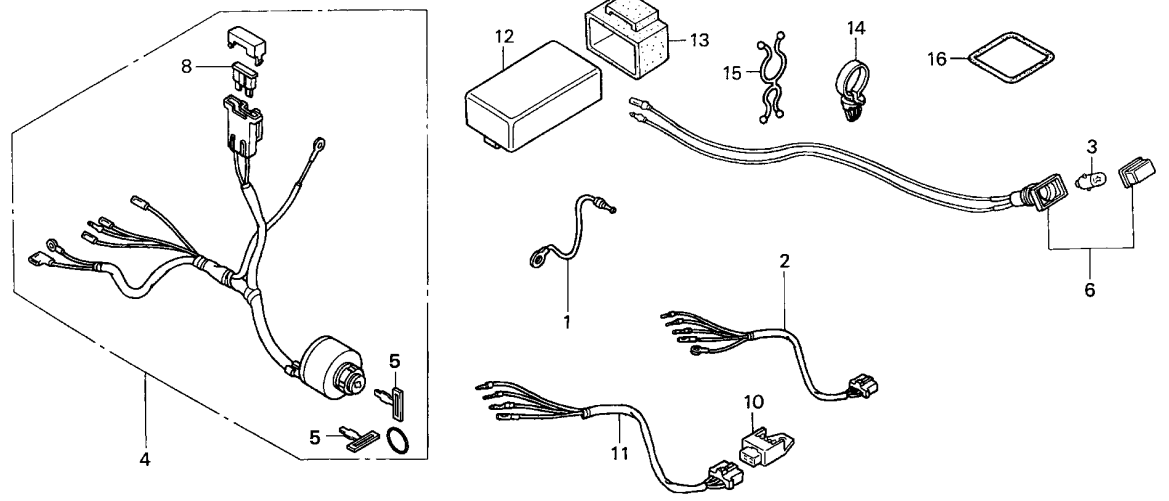


Ref. No.	L.O.N. (Relative ref. Number)	Description	F.R.T.
----------	-------------------------------	-------------	--------

NO INFORMATION .....

2

Ref. No.	Part No.	Description	Reqd. QTY					Serial No.	Parts catalogue code
			GX 620	GX 620	GX 620 K1	GX 620 (1)	GX 620 (2)		
1	17661-921-000	BULB, PRIMER .....	1	-	-	-	-	QZZ	
2	17665-ZV5-000	VALVE COMP., IN. ....	1	-	-	-	-	QZZ	
3	17680-ZV4-000	VALVE COMP., OUTLET .....	1	-	-	-	-	QZZ	
4	17700-ZJ1-900	TUBE ASSY., FUEL .....	1	-	-	-	-	QZZ	
5	17701-ZV5-000	TUBE, FUEL LONG (7.5X2000) ..	1	-	-	-	-	QZZ	
6	17702-ZV4-000	TUBE, FUEL SHORT .....	1	-	-	-	-	QZZ	
7	17703-921-000	BAND, TUBE CLIP, 20MM .....	2	-	-	-	-	QZZ	
8	17704-ZV4-000	BAND, TUBE CLIP, 12.5MM .....	4	-	-	-	-	QZZ	
12	35100-ZJ1-812	SWITCH ASSY., COMBINATION ...	1	-	-	-	-	VXZ4, VZA3	
13	35111-880-013	KEY COMP. ....	2	-	2	-	-	VZA3, VZE1, VZE7, VZE7/A, VZE8, VZE8/A	
17	98200-32500	FUSE, BLADE (25A) .....	2	-	-	-	-	VXZ4	
18	17950-765-A10	CABLE COMP., CHOKE .....	1	-	1	-	-	VXZ4, VZA3	
19	35100-ZA0-013	SWITCH ASSY., COMBINATION ...	1	-	1	-	-	VZE1, VZE7, VZE7/A, VZE8, VZE8/A	
20	39700-ZC6-003	METER ASSY., HOUR .....	1	-	1	-	-	VZE1, VZE7, VZE7/A, VZE8, VZE8/A	
21	68327-ZC6-000	RUBBER, GENERATOR BOTTOM ....	4	-	4	-	-	VZE1, VZE7, VZE7/A, VZE8, VZE8/A	
22	95001-45340-50	TUBE, FUEL, 4.5X340 (95001-45001-50M)	1	-	-	-	-	VZD	
23	95001-55950-50	TUBE, FUEL, 5.5X950 (95001-55001-50M)	1	-	-	-	-	VZD	
24	95002-40850-08	CLAMP, TUBE (D8.5) .....	2	-	-	-	-	VZD	
25	89216-ZB4-000	WRENCH, PLUG .....	1	-	-	-	-	VZE1	

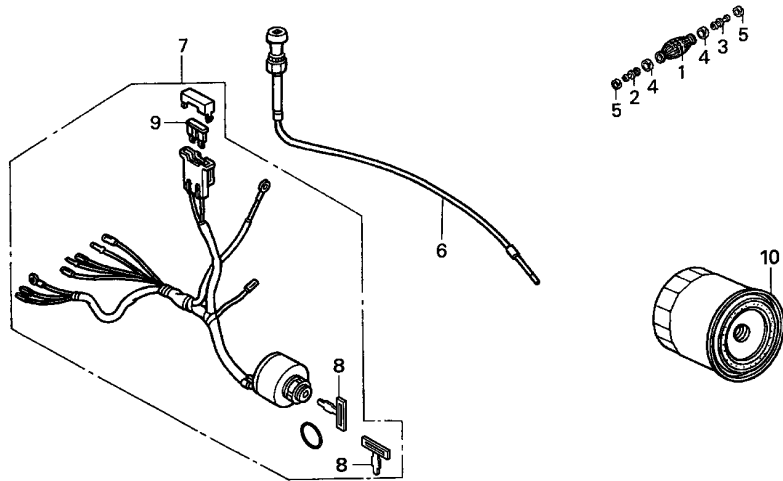


ZJ10-E4001E

Ref. No.	L.O.N.	(Relative ref. Number)	Description	F.R.T.
NO INFORMATION .....				

Ref. No.	Part No.	Description	Reqd. QTY					Serial No.	Parts catalogue code
			GX 620 (1)	GX 620 (2)	GX 620 K1 (1)	GX 620 (3)	GX 620 K1 (2)		
1	31161-ZE2-000	CORD, EARTH .....	-	-	1	-	-	----- QXW2,QXW2/A,QXW4,QXW4/A	
2	32105-ZJ1-T50	HARNESS ASSY., SUB WIRE .....	-	-	1	-	----- QXW2,QXW2/A,QXW4,QXW4/A		
3	34908-GEO-701	BULB, WEDGE BASE (12V/2W) .....	-	-	1	-	----- QXW2,QXW2/A,QXW4,QXW4/A		
4	35100-ZJ1-T51	SWITCH ASSY., COMBINATION .....	-	-	1	-	----- QXW2,QXW2/A,QXW4,QXW4/A		
5	35111-880-003	KEY COMP. ....	-	-	2	-	2093101 QXW2,QXW4		
	35111-880-013	.....	-	-	2	-	----- QXW2/A,QXW4/A		
		.....	-	-	2	-	2093102 QXW2,QXW4		
6	37570-ZA0-801	SOCKET ASSY., LAMP (RED) .....	-	-	1	-	----- QXW2,QXW2/A,QXW4,QXW4/A		
8	98200-32500	FUSE, BLADE (25A) .....	-	-	1	-	----- QXW2,QXW2/A,QXW4,QXW4/A		
10	31710-ZS9-A01	RECTIFIER ASSY. ....	-	-	1	-	----- QZX5,QZX5/A		
11	32105-ZJ1-810	HARNESS ASSY., SUB WIRE .....	-	-	1	-	----- QZX5,QZX5/A		
12	34341-ZJ1-003	CONTROL UNIT, VALVE .....	-	-	-	1	----- VXC1,VXC1/A,VXC2,VXC2/A		
13	34343-ZAA-K61	CUSHION, VALVE CONTROL UNIT .....	-	-	-	1	----- VXC1,VXC1/A,VXC2,VXC2/A		
14	90617-SA0-003	CLIP, WIRE HARNESS .....	-	-	1	-	----- QAD2,QAD2/A		
15	91402-ZJ1-841	CLIP, PURSE LOCK .....	-	-	1	-	----- QAD2,QAD2/A		
16	17229-ZJ1-840	SEAL, AIR CLEANER CASE .....	-	-	1	-	----- VAB2,VAB2/A		



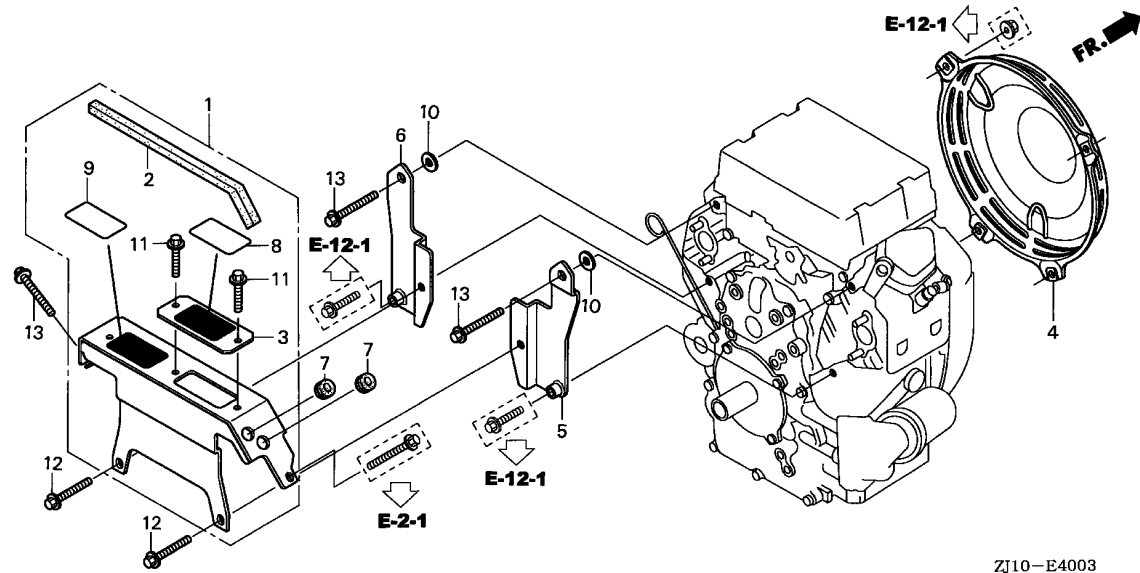


ZJ10-E4002B

Ref. L.O.N. (Relative ref. Number) F.R.T.  
No. Description

NO INFORMATION .....

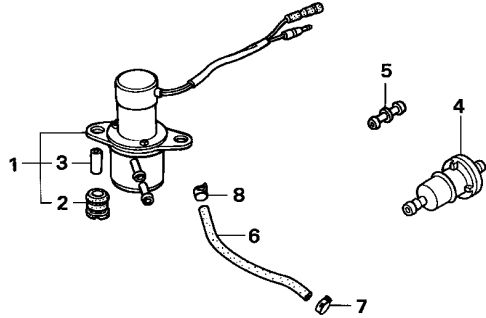
Ref. No.	Part No.	Description	Reqd. QTY					Serial No.	Parts catalogue code
			GX 620 (1)	GX 620 (2)	GX 620 K1 (1)	GX 620 (3)	GX 620 K1 (2)		
1	17661-921-000	BULB, PRIMER .....	-	-	1	-	-	----- QAX1,QZX1	
	17661-921-010	.....	-	-	1	-	-	----- QAX1/A,QZX1/A	
2	17665-ZV5-000	VALVE COMP., IN. ....	-	-	1	-	-	----- QAX1,QAX1/A,QZX1,QZX1/A	
3	17680-ZV4-000	VALVE COMP., OUTLET .....	-	-	1	-	-	----- QAX1,QAX1/A,QZX1,QZX1/A	
4	17703-921-010	BAND, TUBE CLIP, 20MM .....	-	-	2	-	-	----- QAX1,QAX1/A,QZX1,QZX1/A	
5	17704-ZV4-010	BAND, TUBE CLIP, 12.5MM .....	-	-	2	-	-	----- QAX1,QAX1/A,QZX1,QZX1/A	
6	17950-765-A10	CABLE COMP., CHOKE .....	-	-	1	-	-	----- VYE3,VYE3/A	
7	35100-ZJ1-812	SWITCH ASSY., COMBINATION .....	-	-	1	-	-	----- VYE3,VYE3/A	
8	35111-880-003	KEY COMP. ....	-	-	2	-	2093101	----- VYE3	
	35111-880-013	.....	-	-	2	-	2093102	----- VYE3/A	
		.....	-	-	2	-		----- VYE3	
9	98200-32500	FUSE, BLADE (25A) .....	-	-	1	-	-	----- VYE3,VYE3/A	
10	15400-ZJ1-004	CARTRIDGE, OIL FILTER (TOYO ROKI) .....	-	-	1	-	-	----- VAB3,VAB3/A	



Ref. No.	L.O.N.	(Relative ref. Number) Description	F.R.T.
1	8101C6	COVER, THROTTLE/GOVERNOR CONTROL .....	0.3
4	4141C9	PROTECTOR, FAN COVER .....	0.1
5	1101G7	BRACKET, ENGINE SHROUD :RIGHT	0.2
6	1101G8	BRACKET, ENGINE SHROUD :LEFT	0.2

Ref. No.	Part No.	Description	Reqd. QTY					Serial No.	Parts catalogue code
			GX 620	GX 620	GX 620	GX 620	GX 620		
1	16590-ZJ1-800	COVER ASSY., CONTROL .....	-	-	1	-	-	-----	QWA6,QWA6/A,QWF6,QWF6/A
2	16593-ZJ1-800	SEAL, CONTROL COVER .....	-	-	1	-	-	-----	QWA6,QWA6/A,QWF6,QWF6/A
3	16594-ZJ1-800	COVER B, CONTROL .....	-	-	1	-	-	-----	QWA6,QWA6/A,QWF6,QWF6/A
4	19621-ZJ1-811	PROTECTOR, FAN COVER .....	-	-	1	-	-	-----	QWA6,QWA6/A,QWF6,QWF6/A
5	19636-ZJ1-800	BRACKET COMP., R. SHROUD .....	-	-	1	-	-	-----	QWA6,QWA6/A,QWF6,QWF6/A
6	19637-ZJ1-800	BRACKET COMP., L. SHROUD .....	-	-	1	-	-	-----	QWA6,QWA6/A,QWF6,QWF6/A
7	77228-340-003	RUBBER, SEAT LOCK BAR CUSHION .....	-	-	2	-	-	-----	QWA6,QWA6/A,QWF6,QWF6/A
8	87538-ZJ1-800	LABEL, OPERATOR NOTICE (E) ..	-	-	1	-	-	-----	QWA6,QWA6/A,QWF6,QWF6/A
9	87538-ZJ1-810	LABEL, OPERATOR NOTICE (F) ..	-	-	1	-	-	-----	QWA6,QWA6/A,QWF6,QWF6/A
10	90501-399-880	WASHER, PLAIN, 8MM .....	-	-	2	-	-	-----	QWA6,QWA6/A,QWF6,QWF6/A
11	95701-06012-00	BOLT, FLANGE, 6X12 .....	-	-	2	-	-	-----	QWA6,QWA6/A,QWF6,QWF6/A
12	95701-06016-00	BOLT, FLANGE, 6X16 .....	-	-	2	-	-	-----	QWA6,QWA6/A,QWF6,QWF6/A
13	95701-08020-00	BOLT, FLANGE, 8X20 .....	-	-	3	-	-	-----	QWA6,QWA6/A,QWF6,QWF6/A





ZJ10-E4004

Ref. L.O.N. (Relative ref. Number) F.R.T.  
No. Description

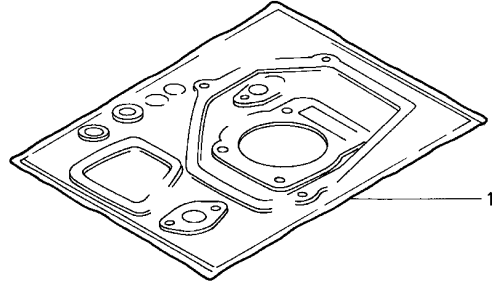
NO INFORMATION .....

Ref. No.	Part No.	Description	Reqd. QTY					Serial No.	Parts catalogue code
			GX 620 (1)	GX 620 (2)	GX 620 K1 (1)	GX 620 (3)	GX 620 K1 (2)		
1	16700-758-003	PUMP ASSY., FUEL .....	-	-	1	-	-	----- QYD,QYD/A	
2	16711-679-000	RUBBER, FUEL PUMP MOUNTING ..	-	-	2	-	-	----- QYD,QYD/A	
3	16712-605-310	COLLAR, DISTANCE .....	-	-	2	-	-	----- QYD	
	16712-657-300	COLLAR, FUEL PUMP DISTANCE ..	-	-	2	-	-	----- QYD/A	
4	16910-ZE8-015	STRAINER COMP., FUEL .....	-	-	1	-	-	----- QYD,QYD/A	
5	16958-GJ6-000	JOINT, FUEL TUBE .....	-	-	1	-	-	----- QYD,QYD/A	
6	17732-758-000	TUBE, FUEL SPECIAL .....	-	-	1	-	-	----- QYD,QYD/A	
7	95002-40800-08	CLAMP, TUBE (D8) .....	-	-	1	-	-	----- QYD,QYD/A	
8	95002-40850-08	CLAMP, TUBE (D8.5) .....	-	-	1	-	-	----- QYD,QYD/A	

EOP-1

GASKET KIT

2-E 5



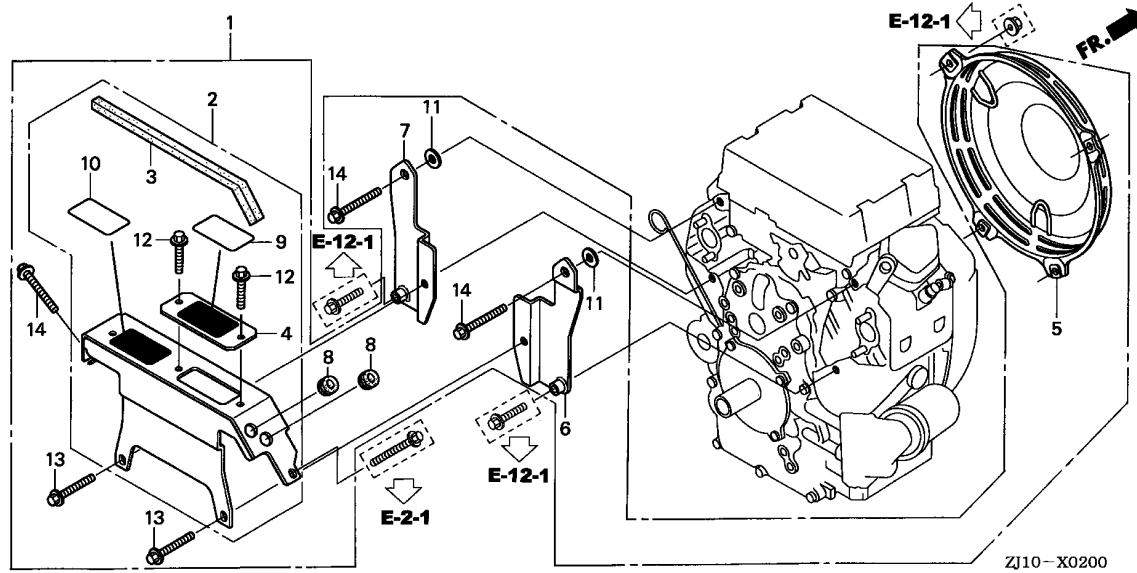
HENG-X0003

Ref. L.O.N. (Relative ref. Number) F.R.T.  
No. Description

NO INFORMATION .....

Ref. No.	Part No.	Description	Reqd. QTY					Serial No.	Parts catalogue code
			GX 620 (1)	GX 620 (2)	GX 620 K1 (1)	GX 620 (3)	GX 620 K1 (2)		
1	061A1-ZJ1-000	GASKET KIT .....	1	-	-	1	-	-----	QAB, QAB4, QAB6, QAC6, QAF, QAFP, QAFU, QAF1, QAF2, QAF3, QAF4, QAF5, QAF6, QAF7, QAF8, QAP2, QDA1, QDE1, QDF, QDF4, QDF6, QDW, QXA, QXAP, QXAU, QXA1, QXA3, QXA4, QXA6, QXB1, QXC4, QXE1, QXE3, QXF1, QXF3, QXF6, QYA, QYA4, QYF, QYF4, QYF6, QZX4, SAE1, SAF1, TXF2, VAF, VAFP, VAFU, VAF4, VAF6, VXAP, VXAU, VXA1, VXA3, VXE1, VXE4, VXE8, VXZ4, VYA1, VYA3, VZA1, VZA3, VZD, VZE1, VZE5, VZE7, VZE8, VZF1
			-	1	-	-	-		

2



Ref. No.	L.O.N.	(Relative ref. Number) Description	F.R.T.
1	8101R6	KIT, WINTER .....	0.3
2	8101C6	COVER, THROTTLE/GOVERNOR CONTROL .....	0.3
5	4141C9	PROTECTOR, FAN COVER .....	0.1
6	1101G7	BRACKET, ENGINE SHROUD :RIGHT	0.2
7	1101G8	BRACKET, ENGINE SHROUD :LEFT	0.2

2

Ref. No.	Part No.	Description	Reqd. QTY					Serial No.	Parts catalogue code
			GX 620	GX 620	GX 620 K1	GX 620 (3)	GX 620 K1 (2)		
1	06192-ZJ1-800	KIT, WINTER .....	-	-	(1)	-	-	-----	QWA6,QWA6/A,QWF6,QWF6/A
2	16590-ZJ1-800	COVER ASSY., CONTROL .....	-	-	(1)	-	-	-----	QWA6,QWA6/A,QWF6,QWF6/A
3	16593-ZJ1-800	SEAL, CONTROL COVER .....	-	-	(1)	-	-	-----	QWA6,QWA6/A,QWF6,QWF6/A
4	16594-ZJ1-800	COVER B, CONTROL .....	-	-	(1)	-	-	-----	QWA6,QWA6/A,QWF6,QWF6/A
5	19621-ZJ1-811	PROTECTOR, FAN COVER .....	-	-	(1)	-	-	-----	QWA6,QWA6/A,QWF6,QWF6/A
6	19636-ZJ1-800	BRACKET COMP., R. SHROUD ....	-	-	(1)	-	-	-----	QWA6,QWA6/A,QWF6,QWF6/A
7	19637-ZJ1-800	BRACKET COMP., L. SHROUD ....	-	-	(1)	-	-	-----	QWA6,QWA6/A,QWF6,QWF6/A
8	77228-340-003	RUBBER, SEAT LOCK BAR CUSHION	-	-	(2)	-	-	-----	QWA6,QWA6/A,QWF6,QWF6/A
9	87538-ZJ1-800	LABEL, OPERATOR NOTICE (E) ..	-	-	(1)	-	-	-----	QWA6,QWA6/A,QWF6,QWF6/A
10	87538-ZJ1-810	LABEL, OPERATOR NOTICE (F) ..	-	-	(1)	-	-	-----	QWA6,QWA6/A,QWF6,QWF6/A
11	90501-399-880	WASHER, PLAIN, 8MM .....	-	-	(2)	-	-	-----	QWA6,QWA6/A,QWF6,QWF6/A
12	95701-06012-00	BOLT, FLANGE, 6X12 .....	-	-	(2)	-	-	-----	QWA6,QWA6/A,QWF6,QWF6/A
13	95701-06016-00	BOLT, FLANGE, 6X16 .....	-	-	(2)	-	-	-----	QWA6,QWA6/A,QWF6,QWF6/A
14	95701-08020-00	BOLT, FLANGE, 8X20 .....	-	-	(3)	-	-	-----	QWA6,QWA6/A,QWF6,QWF6/A





# PART NO. INDEX

**2-F 2**

Part Number	Address	Page	Ref.	Part Number	Address	Page	Ref.	Part Number	Address	Page	Ref.	Part Number	Address	Page	Ref.	Part Number	Address	Page	Ref.
16081-ZV4-650	H13	99	10	16221-ZJ1-840	I10	112	18	16542-ZJ1-000	F2	56	12		2-C10	224	13		2-C7	221	15
16100-ZJ1-010	H13	99	11		J3	121	16	16550-ZJ1-000	2-B3	201	7	16575-ZJ1-850	2-C1	215	10	16649-ZJ1-000	2-B5	203	23
16100-ZJ1-023	H13	99	11	16221-ZJ1-900	H15	101	28		2-B8	206	4	16576-883-300	2-C1	215	11		2-B9	207	17
16100-ZJ1-801	H16	102	4	16221-ZN1-000	J2	120	6		2-C9	223	7	16576-891-000	2-B5	203	15	16700-758-003	2-E4	250	1
16100-ZJ1-841	I6	108	10	16263-883-W10	2-B10	208	1	16550-ZJ1-842	2-C6	220	4		2-B8	206	11	16700-ZB5-003	L15	165	16
16100-ZJ1-861	I6	108	10		2-B15	213	1	16550-ZJ1-U80	2-B3	201	6		2-B11	209	8	16700-ZJ1-003	L14	164	1
16100-ZJ1-871	I6	108	10		2-C6	220	1		2-C9	223	6			9		16700-ZL8-003	L16	166	1
16100-ZJ1-881	H13	99	11	16263-ZE3-790	2-B3	201	1	16551-ZJ1-840	2-B11	209	4		2-C6	220	8	16700-ZL8-013	L16	166	1
16100-ZJ1-882	H13	99	11		2-B8	206	1		2-B16	214	4		2-C7	221	27	16711-679-000	2-E4	250	2
16100-ZJ1-891	H13	99	11		2-C9	223	1		2-C8	222	2		2-C10	224	14	16711-ZJ1-800	L14	164	2
16100-ZJ1-892	H13	99	11	16265-ZJ1-U80	2-B3	201	2	16555-ZJ1-000	2-B4	202	8		2-C11	225	33	16711-ZJ1-840	M1	167	2
16100-ZJ1-901	H13	99	11		2-C9	223	2		2-B8	206	5	16577-ZJ1-U80	2-B7	205	37	16712-605-310	2-E4	250	3
16100-ZJ1-911	I6	108	10	16265-ZJ1-V50	2-C9	223	2		2-C9	223	8		2-C10	224	15	16712-657-300	2-E4	250	3
16100-ZJ1-931	J2	120	3	16347-ZN1-820	J2	120	7	16555-ZJ1-840	2-B11	209	5	16578-ZE1-000	2-B5	203	16	16715-ZJ1-820	L14	164	3
16100-ZJ1-P01	I6	108	10	16500-ZJ1-000	2-B3	201	3		2-B16	214	5		2-B8	206	12	16715-ZJ1-840	H2	88	1
16100-ZJ1-R51	J3	121	9	16500-ZJ1-800	2-B3	201	3		2-C6	220	5		2-C10	224	16	16715-ZJ1-850	H2	88	2
16100-ZJ1-R61	I6	108	10		2-C9	223	3	16555-ZN2-000	2-B11	209	5	16584-883-300	2-B5	203	17	16715-ZJ1-860	H2	88	2
16100-ZJ1-V10	H13	99	11	16500-ZJ1-810	2-B3	201	3		2-C8	222	3		2-B8	206	13	16715-ZJ1-930	H2	88	1
16100-ZJ1-V11	H13	99	11		2-C9	223	3	16561-ZG1-000	2-B4	202	9		2-B11	209	10	16715-ZJ1-R50	H11	97	33
16100-ZJ1-W11	I6	108	10	16500-ZJ1-820	2-B8	206	2		2-B8	206	6		2-B13	211	27	16850-ZJ1-840	M1	167	3
16100-ZJ1-W21	I6	108	10	16500-ZJ1-830	2-B9	207	30	16561-ZJ1-000	2-B4	202	10		2-C2	216	12	16851-ZJ1-S60	L9	159	12
16100-ZJ1-W31	I6	108	10	16500-ZJ1-840	2-B10	208	2		2-B8	206	7		2-C6	220	9	16851-ZJ1-S80	L9	159	12
16148-141-881	H13	99	12	16500-ZJ1-850	2-B15	213	2		2-C9	223	9		2-C8	222	6	16852-ZJ1-840	M1	167	4
	H16	102	5	16500-ZJ1-861	2-B10	208	2	16561-ZJ1-850	2-B11	209	6		2-C10	224	17	16852-ZJ1-850	M7	173	15
	I7	109	11	16500-ZJ1-871	2-B10	208	2		2-B16	214	6	16590-ZJ1-800	2-E3	249	1	16852-ZJ1-P00	M7	173	15
	J3	121	10	16500-ZJ1-880	2-B10	208	2		2-C6	220	6		2-E6	252	2	16852-ZJ1-R50	J3	121	17
16150-ZJ1-010	H13	99	13	16500-ZJ1-890	2-C6	220	2		2-D15	245	7	16592-ZJ1-000	2-B5	203	18	16854-ZJ1-800	H16	102	8
16150-ZJ1-841	I7	109	12	16500-ZJ1-900	2-B10	208	2	16561-ZJ1-860	2-B11	209	6		2-B11	209	11	16882-ZJ1-840	M2	168	5
16150-ZJ1-R51	J3	121	11	16500-ZJ1-910	2-B10	208	2		2-C1	215	6		2-C6	220	10	16910-ZE8-005	L14	164	4
16151-ZJ0-020	H13	99	13	16500-ZJ1-920	2-C6	220	2		2-C6	220	6		2-C10	224	18	16910-ZE8-015	L10	160	20
16151-ZJ1-891	H13	99	13	16500-ZJ1-930	2-C8	222	1		2-D15	245	7		2-C11	225	34		L14	164	4
16163-ZN1-831	J2	120	4	16500-ZJ1-P00	2-B10	208	2	16561-ZJ1-890	2-B4	202	10	16593-ZJ1-800	2-E3	249	2		M3	169	6
16166-ZJ0-000	I7	109	13	16500-ZJ1-R30	2-C6	220	2		2-C9	223	9		2-E6	252	3		M7	173	16
16166-ZJ1-010	H13	99	14	16500-ZJ1-R50	2-B10	208	2	16561-ZJ1-891	2-B4	202	10	16594-883-000	2-B11	209	12				21
16166-ZJ1-861	I7	109	13	16500-ZJ1-U80	2-B3	201	3		2-C10	224	9	16594-883-010	2-B5	203	19		2-E4	250	4
16166-ZJ1-871	I7	109	13	16500-ZJ1-V50	2-B3	201	3	16561-ZJ1-R50	2-B11	209	6		2-B9	207	14	16920-ZN1-820	J2	120	8
16166-ZJ1-R51	J3	121	12		2-C9	223	3	16561-ZJ4-830	2-B11	209	6		2-B12	210	12	16950-YA0-802	L8	158	1
16173-001-004	L6	156	1	16510-ZJ1-840	F5	59	13		2-C6	220	6		2-C6	220	11		L11	161	1
	L9	159	2	16511-ZJ1-840	F5	59	14	16561-ZN1-000	2-B11	209	6		2-C11	225	19	16950-ZA0-013	L9	159	3
	L13	163	2	16512-ZJ1-000	G2	72	18	16561-ZN1-820	2-C8	222	4	16594-ZJ1-800	2-E3	249	3		L13	163	3
16178-548-004	H13	99	15	16512-ZJ1-840	F5	59	15	16561-ZN1-822	2-C8	222	4		2-E6	252	4	16950-ZB4-015	L6	156	2
	I8	110	14	16513-ZE2-000	F5	59	16	16562-ZJ1-000	2-B4	202	11	16596-ZJ1-000	2-B5	203	20	16952-890-690	L9	159	14
	J3	121	13	16522-ZJ1-000	G2	72	19		2-B8	206	8		2-B9	207	15	16952-ZB4-005	L6	156	3
16178-ZJ0-911	I8	110	14	16523-ZJ1-000	G2	72	20	16562-ZJ1-840	2-C10	224	10		2-C11	225	20	16954-890-670	L15	165	17
16198-ZJ1-840	I9	111	15	16524-ZJ1-000	G3	73	21		2-B11	209	7	16599-ZG1-M10	2-B5	203	21	16955-ZE1-000	L8	158	2
16200-ZJ0-841	I9	111	16	16529-ZJ1-000	G3	73	22		2-C1	215	7		2-B9	207	31	16956-ZA0-010	L9	159	4
16200-ZJ1-003	H13	99	16	16531-Z0A-000	F6	60	17		2-C6	220	7		2-B12	210	13		L13	163	4
16200-ZJ1-841	I9	111	16	16531-ZE2-000	F5	59	17	16562-ZN2-010	2-B11	209	7		2-C2	216	13	16958-397-771	L6	156	4
	J3	121	14	16531-ZJ1-003	G3	73	23		2-C8	222	5		2-C6	220	12	16958-GJ6-000	I16	118	30
16211-ZJ0-830	I9	111	17	16534-ZJ1-000	2-B3	201	5	16570-ZJ1-000	2-B5	203	12		2-C11	225	21		2-E4	250	5
	J3	121	15		2-B8	206	3	16570-ZJ1-850	2-C1	215	8	16611-ZJ1-840	2-B12	210	14	16959-471-831	L6	156	5
16211-ZJ0-841	I9	111	17		2-C9	223	5	16571-ZJ1-U80	2-B7	205	36		2-C2	216	14	16963-191-005	L9	159	5
16211-ZJ1-000	H13	99	17	16534-ZJ1-840	2-B10	208	3		2-C10	224	11		2-C6	220	13		L13	163	5
	H16	102	6		2-B15	213	3	16574-883-300	2-C1	215	9	16617-ZJ1-840	2-B14	212	30	16967-GA6-671	L6	156	6
	I9	111	17		2-C6	220	3	16574-ZE1-000	2-B5	203	13		2-C7	221	14	16967-MA2-771	L9	159	6
16211-ZN1-000	J2	120	5	16534-ZJ1-U80	2-B3	201	4		2-B8	206	9	16628-ZJ1-000	2-B5	203	22		L13	163	6
16221-ZG8-000	H13	99	18		2-C9	223	4	16575-ZH8-000	2-C10	224	12		2-B9	207	16				
	H16	102	7	16541-ZJ1-000	F2	56	11		2-B5	203	14	16628-ZJ1-850	2-B12	210	15				
	I10	112	18	16541-ZJ1-840	E15	53	6		2-B8	206	10		2-C3	217	15				

# PART NO. INDEX

2-F 3

Part Number	Address	Page	Ref.	Part Number	Address	Page	Ref.	Part Number	Address	Page	Ref.	Part Number	Address	Page	Ref.	Part Number	Address	Page	Ref.
17000				17231-ZJ1-000	J6	124	6	17624-ZJ1-840	L11	161	9	18330-ZJ1-861	L3	153	12	19612-ZJ1-840	H3	89	6
17010-ZJ1-000	J5	123	1	17231-ZJ1-820	J6	124	6	17631-899-000	L6	156	10	18333-ZB7-800	L5	155	4	19612-ZJ1-841	H4	90	6
17010-ZJ1-820	J5	123	1	17232-891-000	J9	127	7		L9	159	9	18333-ZE3-800	E6	44	15	19612-ZJ1-W30	H3	89	6
17101-ZJ1-000	E1	39	10		K2	136	9		L13	163	10		E10	48	17	19612-ZJ1-W31	H3	89	6
17101-ZJ1-840	E5	43	13	17232-ZJ1-000	J7	125	7	17631-ZH7-003	L8	158	6	18333-ZJ1-000	E1	39	12	19614-ZJ1-000	G15	85	5
17101-ZN1-000	E10	48	13	17233-ZJ1-840	J15	133	7	17661-921-000	2-D16	246	1		E6	44	15	19614-ZJ1-840	H4	90	7
17151-ZJ1-003	E1	39	11		K4	138	10		2-E2	248	1	18338-ZJ1-003	K7	141	5	19614-ZJ1-841	H5	91	7
17151-ZJ1-841	E5	43	14	17234-ZJ1-840	J15	133	8	17661-921-010	2-E2	248	1		K13	147	5	19615-ZJ0-U60	G16	86	6
	E10	48	14		K4	138	11	17665-ZV5-000	2-D16	246	2	18338-ZJ1-801	L2	152	6	19615-ZJ0-U70	G16	86	6
17200-ZJ0-U70	J9	127	1	17237-ZJ1-000	J7	125	8		2-E2	248	2	18338-ZJ1-841	K7	141	5	19615-ZJ1-000	G16	86	6
17207-ZJ0-U70	J9	127	2	17238-ZJ4-830	J2	120	10	17670-899-000	L6	156	11		K13	147	5	19615-ZJ1-800	G16	86	6
17207-ZJ1-840	K2	136	1		J15	133	9		L9	159	10	18338-ZJ1-851	L2	152	6	19615-ZJ1-820	G16	86	6
17208-ZJ0-U70	J9	127	3		K1	135	15	17672-899-000	L9	159	10	18343-ZJ1-840	K11	145	13	19617-ZJ4-000	G16	86	7
17208-ZJ1-840	K2	136	2		K3	137	27		L13	163	11		L1	151	13	19618-ZJ0-U70	G16	86	8
17209-ZJ0-U70	J9	127	4	17251-ZJ0-U70	J9	127	8	17680-ZV4-000	2-D16	246	3	18355-ZJ1-003	K10	144	11	19621-ZJ1-801ZB	H10	96	29
17209-ZJ1-840	K2	136	3	17251-ZJ1-000	J7	125	9		2-E2	248	3		K16	150	11	19621-ZJ1-801ZC	H11	97	29
17210-759-013	J9	127	5	17251-ZJ1-840	K5	139	13	17700-ZJ1-900	2-D16	246	4	18355-ZJ1-801	L3	153	13	19621-ZJ1-811	2-E3	249	4
	K2	136	4	17251-ZJ1-850	K2	136	10	17701-ZJ1-840	L11	161	10		L5	155	5	2-E6	252	5	
17210-ZJ1-841	J11	129	1	17253-759-003	J9	127	9	17701-ZJ1-S00	L6	156	18	18396-ZJ1-003	K7	141	6	19631-ZJ1-000	G16	86	9
	K4	138	1		K2	136	11	17701-ZV5-000	2-D16	246	5		K13	147	6	19631-ZJ1-840	H5	91	8
17210-ZJ1-842	J11	129	1	17255-758-000	J7	125	10	17702-ZV4-000	2-D16	246	6		L3	153	7	19631-ZJ1-850	H5	91	8
	K4	138	1		J9	127	10	17703-921-000	2-D16	246	7	18412-ZB7-000	L5	155	6	19632-ZJ1-000	G16	86	10
17210-ZN1-821	J11	129	1	17320-ZG5-801	J9	127	11	17703-921-010	2-E2	248	4	18413-ZB7-000	L5	155	7	19632-ZJ1-840	H5	91	9
17213-ZJ4-830	E10	48	15		J9	127	11	17704-ZV4-000	2-D16	246	8	18414-ZB7-000	L5	155	8	19632-ZJ1-841	H6	92	9
17214-ZJ4-830	E10	48	16	17330-ZG5-801	J9	127	12	17704-ZV4-010	2-E2	248	5	18431-ZJ1-801	L3	153	14	19632-ZN1-010	H6	92	9
17216-ZJ1-000	J5	123	2		K2	136	13	17732-758-000	2-E4	250	6					19636-ZJ1-800	2-E3	249	5
17217-ZJ1-000	J5	123	3	17410-ZJ1-000	H14	100	20	17850-ZJ1-850	2-C3	217	16	19000				2-E6	252	6	
17218-ZJ1-000	J6	124	4		H16	102	10	17950-765-A10	2-D16	246	18					2-E3	249	6	
17218-ZJ1-840	J12	130	2	17410-ZJ1-820	H16	102	10		2-E2	248	6	19024-ZA0-000	H14	100	21	2-E6	252	7	
	K4	138	2	17410-ZJ1-840	I11	113	20	17951-921-030	2-B12	210	16		H16	102	11	19682-ZJ1-840	E6	44	16
17219-ZJ1-840	J13	131	3		J3	121	19		2-C3	217	17	19051-KA3-830	2-D7	237	8	E10	48	18	
	K4	138	3	17415-ZJ1-840	K1	135	16		2-C7	221	16	19111-MF5-000	K2	136	15	19905-ZA8-701	H1	87	22
17220-ZJ1-000	J6	124	5		K2	136	14	17951-ZG1-000	2-B5	203	24		M3	169	7	L14	164	5	
17220-ZJ1-820	J6	124	5		K5	139	14	17957-ZV4-000	2-B9	207	18	19314-PH6-000	2-D7	237	9				
17220-ZJ1-840	J13	131	4	17416-ZN1-000	K5	139	15		2-B12	210	17	19506-KA4-000	J2	120	11	23000			
17220-ZJ1-850	K2	136	5	17505-ZB2-003	L6	156	7		2-C3	217	18	19511-ZJ1-000	M8	174	1				
17220-ZN1-800	K4	138	4	17505-ZC8-003	L9	159	7		2-C7	221	17	19513-ZJ1-000	M8	174	2	23311-ZJ1-H10	M11	177	15
17220-ZN1-820	J13	131	4		L13	163	7	18000				19611-ZJ1-000ZA	G15	85	1	25000			
17222-ZJ1-840	K4	138	5	17508-GBF-830	L11	161	2	18293-MN5-650	J8	126	18	19611-ZJ1-000ZB	G15	85	1				
17222-ZJ1-850	K2	136	6	17510-ZB4-000ZG	L6	156	8	18310-ZB8-631	L5	155	1	19611-ZJ1-800ZC	G15	85	1	25523-VD6-010	E13	51	10
17223-ZN2-000	K1	135	14	17510-ZC2-000ZB	L6	156	8		L5	155	1	19611-ZJ1-800ZA	G15	85	2	E15	53	7	
17224-ZJ1-840	K4	138	6	17510-ZC2-000ZC	L6	156	8	18310-ZJ1-003	K6	140	2	19611-ZJ1-800ZB	G15	85	2				
17224-ZJ1-850	K2	136	7	17510-ZE3-010ZB	L8	158	3		K12	146	2	19611-ZJ1-800ZC	G15	85	2				
17228-ZG8-003	H14	100	19	17510-ZE3-010ZC	L8	158	3	18310-ZJ1-013	K6	140	2	19611-ZJ1-810ZA	G15	85	3	28000			
	H16	102	9	17510-ZJ1-840	L11	161	3		K12	146	2	19611-ZJ1-810ZB	G15	85	3	28400-ZE3-W01ZA	G12	82	1
	I11	113	19	17510-ZJ1-R01ZA	L9	159	15	18310-ZJ1-801	L2	152	2	19611-ZJ1-810ZC	G15	85	3	28400-ZE3-W01ZB	G12	82	1
17228-ZN1-000	J2	120	9	17544-ZJ1-840	L11	161	4	18321-ZB7-000	L5	155	2	19611-ZJ1-820ZA	G15	85	1	28400-ZE3-W01ZP	G12	82	1
17229-ZJ1-840	J13	131	5	17560-ZJ0-U70	L6	156	19	18321-ZJ1-003	K7	141	3	19611-ZJ1-830ZA	G15	85	3	28405-ZJ1-801ZA	G16	86	11
	K3	137	26		L8	158	4		K13	147	3	19611-ZJ1-840ZA	H3	89	3	28405-ZJ1-801ZB	H1	87	11
	K4	138	7	17561-ZJ1-840	L11	161	5	18321-ZJ1-801	L2	152	3	19611-ZJ1-840ZB	H3	89	3	28410-ZE3-W01ZA	G12	82	2
	2-E1	247	16	17566-ZJ1-840	L11	161	6	18321-ZJ1-841	L2	152	3	19611-ZJ1-840ZC	H3	89	3	28410-ZE3-W01ZB	G12	82	2
17229-ZN1-000	K4	138	8	17620-899-013	L6	156	9	18325-ZB7-000	L5	155	3	19611-ZJ1-850ZA	H3	89	4	28410-ZE3-W01ZP	G12	82	2
17230-759-003	J9	127	6		L9	159	8	18325-ZJ1-801	L2	152	4	19611-ZJ1-850ZB	H3	89	4	28421-ZE3-W01	G13	83	3
	K2	136	8		L13	163	9	18330-ZJ1-003	K7	141	4	19611-ZJ1-850ZC	H3	89	4	28422-ZE2-W01	G13	83	4
17230-ZJ1-840	J14	132	6	17620-ZH7-023	L8	158	5	18330-ZJ1-601	K13	147	4	19611-ZJ1-860ZA	H3	89	5	28441-ZE2-W01	G13	83	5
	K4	138	9	17620-ZJ1-840	L11	161	7	18330-ZJ1-801	L2	152	5	19611-ZJ1-860ZB	H3	89	5	28442-ZE2-W01	G13	83	6
17230-ZN1-820	J14	132	6	17622-888-010	L11	161	8	18330-ZJ1-841	K9	143	10	19611-ZJ1-860ZC	H3	89	5	28443-ZE2-W01	G13	83	7
								18330-ZJ1-851	K15	149	10	19612-ZJ1-930	H3	89	3	28444-ZE2-W01	G13	83	8

3

## PART NO. INDEX

Part Number	Address	Page	Ref.	Part Number	Address	Page	Ref.	Part Number	Address	Page	Ref.	Part Number	Address	Page	Ref.		
28451-ZJ1-801	M8	174	3	31213-ZJ1-004	N5	187	11	32349-ZJ1-810	2-C16	230	9	39000	87522-ZH9-010	2-D13	243	26	
28452-ZJ1-801	M12	178	18	31214-PH9-004	N13	195	11	32349-ZJ1-840	2-C16	230	9		87522-ZJ1-000	2-D8	238	5	
28452-ZJ1-811	M9	175	4	31216-ZJ1-H01	N13	195	12	32402-ZJ1-810	N3	185	3	39700-ZC6-003	2-D16	246	20		
28453-ZJ1-801	M9	175	5	31217-ZJ1-004	N5	187	12	32411-402-000	N4	186	5		87526-ZH8-000	2-D12	242	23	
28454-ZJ1-801	M9	175	6	31220-PH9-004	N13	195	13	32411-KB9-930	N3	185	4		87529-ZE2-860	2-D1	231	14	
28461-ZE2-W01	G13	83	10	31223-PA0-006	N14	196	14	32763-PA0-000	N2	184	16	50000	87529-ZE2-861	2-D1	231	14	
28461-ZE2-W02	G13	83	10	31225-ZJ1-004	N5	187	13	32823-ZV5-003	2-D5	235	29		87529-ZH8-W40	2-D2	232	14	
28462-ZE3-W01	G14	84	11	31226-ZJ1-004	N5	187	14	32902-892-003	2-C16	230	10	50203-MS8-000	L8	158	7		
28469-ZE2-W01	G14	84	12	31231-PH9-004	N15	197	15	32985-KR9-003	H11	97	30	50319-ZB2-000	L6	156	17		
28491-ZJ1-840	H6	92	10	31231-ZJ1-004	N5	187	15						87530-ZL8-820	2-D11	241	6	
28492-ZJ1-840	H7	93	11	31233-PH9-004	N15	197	16	33000					87532-ZB4-G60	2-D8	238	6	
28496-ZJ1-840ZA	H7	93	12	31234-ZJ1-H01	N15	197	17						87532-ZB4-H50	2-D8	238	6	
28496-ZJ1-840ZB	H7	93	12	31235-ZJ1-004	N5	187	16	33606-GBZ-000	H11	97	34	54518-767-B40	H10	96	28		
28496-ZJ1-840ZC	H7	93	12	31237-ZJ1-004	N5	187	17	33713-GC2-000	H1	87	12		63000				
				31243-ZJ1-800	N3	185	2		H7	93	14			87532-ZH8-810	2-D8	238	6
30000				31261-ZJ1-004	N6	188	18							87532-ZH8-000	2-D9	239	8
				31500-ZJ1-000	2-D6	236	1	34000							2-D11	241	7
				31511-ZJ1-000	E13	51	11								2-D8	238	7
30201-PH9-004	N7	189	1		E15	53	8	34150-ZJ1-841	H7	93	15	63312-ZA7-000	N1	183	8		
30202-PZ1-003	N8	190	2					34150-ZJ1-842	H7	93	15			87532-ZH8-W40	2-D9	239	10
30500-ZJ1-003	M13	179	1	31512-ZA0-000	2-D6	236	2	34341-ZJ1-003	2-E1	247	12		87532-ZH9-W40	2-D13	243	27	
30500-ZJ1-013	M13	179	1	31542-ZJ1-000	2-D6	236	3	34343-ZAA-K61	2-E1	247	13	68327-ZC6-000	2-D16	246	21		
30500-ZJ1-841	M13	179	1	31600-ZE2-861	2-D5	235	28	34908-GEO-701	2-E1	247	3			87532-ZJ1-840	2-D11	241	8
30500-ZJ1-842	M13	179	1	31604-ZJ7-800	2-D5	235	30							87538-ZJ1-800	2-E3	249	8
30500-ZJ1-843	M14	180	1	31612-ZE2-003	2-C13	227	1								2-E6	252	9
30500-ZJ1-844	M14	180	1	31614-ZE2-003	2-C13	227	2	35000							2-E3	249	9
30518-ZJ1-000	M15	181	2	31620-ZG5-003	2-C13	227	3								2-E6	252	10
30519-ZJ1-840	I16	118	29	31620-ZG5-013	2-C14	228	3	35100-ZA0-013	2-D16	246	19	77228-340-003	2-E3	249	7		
30550-ZJ1-003	M15	181	3	31630-ZJ1-003	M16	182	5	35100-ZJ1-812	2-D1	231	11		2-E6	252	8		
30550-ZJ1-013	M15	181	3	31630-ZJ1-801	M16	182	6							87539-737-J00	2-D9	239	17
30550-ZJ1-841	M15	181	3	31630-ZJ1-S71	N2	184	17							87539-898-620	2-D12	242	19
30550-ZJ1-842	M15	181	3	31710-ZJ1-811	2-C14	228	4	35100-ZJ1-841	2-D1	231	11				2-D9	239	21
30550-ZJ1-843	M15	181	3	31710-ZS9-A01	2-E1	247	10	35100-ZJ1-T51	2-E1	247	4				2-D12	242	13
30550-ZJ1-844	M15	181	3	31740-ZJ1-003	M16	182	7	35111-880-003	2-D1	231	12	80101-310-000	H7	93	16		
30595-ZJ1-801	M16	182	5	31740-ZJ1-841	M16	182	7								2-D9	239	23
30700-ZJ1-003	M15	181	4	31740-ZJ1-851	N1	183	7							87539-ZC6-650	2-D12	242	14
30700-ZJ1-841	M15	181	4	31740-ZJ1-861	N1	183	7								2-D9	239	23
30701-887-790	I16	118	31	31740-ZJ1-871	N1	183	7	35111-880-013	2-D1	231	12	83551-MB9-000	K2	136	16		
				31740-ZJ1-881	N1	183	7								2-D9	239	24
31000				31750-735-003	2-D5	235	31								2-D12	242	15
				32000											2-D9	239	25
31110-ZJ1-800	M9	175	7					35120-ZJ1-941	H11	97	31	87101-ZJ1-000	2-D8	238	2		
31110-ZJ1-801	M10	176	7					35480-ZJ1-812	E13	51	12	87101-ZJ1-840	2-D10	240	1		
31110-ZJ1-810	M10	176	7	32103-759-000	2-C15	229	5	35480-ZJ1-841	E15	53	9	87101-ZJ1-841	2-D10	240	1		
31110-ZJ1-811	M10	176	7	32103-ZG8-000	H7	93	13	35806-752-630	L15	165	6	87106-737-J00	2-D9	239	15		
31110-ZJ1-840	M10	176	7	32105-ZJ1-800	2-C15	229	6	35850-ZJ1-811	N4	186	6		2-D12	242	17		
31110-ZJ1-850	M11	177	7	32105-ZJ1-810	2-E1	247	11						2-D8	238	6		
31110-ZJ1-860	M11	177	8	32105-ZJ1-T50	2-E1	247	2	36000					2-D8	238	6		
31110-ZJ4-000	M11	177	8	32112-735-A10	J3	121	20	36103-ZE1-000	2-D1	231	13	87106-ZE9-V00	2-D13	243	29		
31110-ZJ4-010	M11	177	8	32171-GJ1-003	N1	183	13	36135-PH3-004	H16	102	12	87114-ZH7-000	2-D13	243	29		
31161-ZE2-000	2-E1	247	1		2-D5	235	27	36337-ZJ1-840	2-C12	226	1	87135-ZE2-000	2-D13	243	25		
31200-ZJ1-004	N3	185	1	32183-ZJ0-890	2-D5	235	32	36350-ZJ1-841	2-C12	226	2	87135-ZE2-010	2-D13	243	25		
31200-ZJ1-841	N9	191	3	32340-ZJ1-812	2-C15	229	7					87135-ZE2-020	2-D13	243	28		
31203-PH9-004	N9	191	4	32340-ZJ1-841	2-C15	229	7	37000				87150-ZH8-000	2-D8	238	6		
31204-ZJ1-H01	N9	191	5	32340-ZJ1-842	2-C15	229	7						2-D9	239	16		
31206-ZG4-801	N10	192	6	32340-ZJ1-851	2-C15	229	7	37240-ZG3-E01	E15	53	10		2-D12	242	18		
31207-ZJ1-H01	N11	193	7	32340-ZJ1-852	2-C15	229	7						2-D8	238	3		
31211-PH9-004	N11	193	8	32340-ZJ1-W41	2-C15	229	7						2-D11	241	4		
31212-PH9-004	N11	193	9	32345-ZJ1-811	2-C15	229	8						2-D11	241	5		
31213-P64-N01	N12	194	10	32345-ZJ1-812	2-C15	229	8	37570-ZA0-801	2-E1	247	6	87152-ZJ1-000	2-D8	238	3		
													2-D11	241	4		
													87168-ZC3-630	2-D9	239	20	
													2-D11	241	12		
														2-D11	241	5	
														2-D11	241	5	
														2-D9	239	19	
														2-D11	241	11	
														2-D8	238	4	
														90001-728-760	2-D6	236	4
														90001-ZN1-000	F13	67	6
														90002-ZG5-004	E15	53	11
															F3	57	14

# PART NO. INDEX

Part Number	Address	Page	Ref.	Part Number	Address	Page	Ref.	Part Number	Address	Page	Ref.	Part Number	Address	Page	Ref.	Part Number	Address	Page	Ref.			
90002-ZG5-004	F3	57	28		L13	163	12		L1	151	14	91353-671-004	E13	51	22					2-B9	207	27
	F6	60	19	90018-ZJ1-840	E6	44	20	90502-759-003	J9	127	15		E16	54	19					2-C11	225	29
90002-ZJ1-840	E10	48	19		E11	49	23		K3	137	19		L8	158	10	93500-05028-0A				2-B7	205	32
	K1	135	17	90022-888-010	L8	158	9	90503-898-000	L6	156	12	91402-ZJ1-841	I13	115	23					2-C11	225	30
	K5	139	16		L13	163	13	90503-MAH-000	K11	145	15		J3	121	24	93500-05030-0H				2-B7	205	32
90003-ZE3-600	F9	63	6	90029-888-000	E13	51	17		L1	151	15		2-C12	226	6	93500-05035-0A				2-B13	211	25
90003-ZJ1-840	J16	134	10		E15	53	12	90551-ZE1-000	F11	65	8		2-E1	247	15							28
90004-ZE2-W01	G14	84	13	90031-ZE1-000	E13	51	18		F14	68	7	91403-ZJ1-851	N2	184	19					2-C7	221	25
90005-896-000	G7	77	19		E15	53	13	90601-ZJ1-851	J3	121	22	91408-ZJ1-810	2-D3	233	17					2-C8	222	9
90007-ZG8-300	F3	57	15		N1	183	9	90602-ZE1-000	F7	61	23		L11	161	12	93500-06008-0A				L3	153	8
90009-ZJ1-801	K11	145	12						G7	77	23	91504-750-003	N2	184	14	93600-05010-0A				L6	156	15
	L1	151	12					90605-230-000	2-B6	204	28		2-D5	235	26					L9	159	17
	L3	153	15	90041-147-000	J2	120	12		2-B9	207	23	91551-898-000	L6	156	14	93891-05014-00				L8	158	11
	L5	155	9	90042-ZJ1-000	H1	87	15		2-B13	211	20	91552-898-000	K5	139	19					L11	161	13
90011-ZJ1-841	E6	44	17	90042-ZJ1-840	H8	94	19		2-C7	221	20	91558-SD5-003	H9	95	21	93891-05016-08				J8	126	16
	E10	48	20	90055-ZE1-000	H1	87	16		2-C11	225	25	91601-ZJ1-840	M5	171	10	93892-04014-18				I13	115	24
90012-415-000	G3	73	24	90081-KK0-000	E11	49	24	90617-SAO-003	L15	165	7									J4	122	25
90012-ZE0-010	G7	77	20	90104-GF6-000	H1	87	17		M4	170	9	92000				93892-05012-18				H15	101	23
90013-883-000	H1	87	13	90111-KT0-670	M11	177	16		M7	173	17									I13	115	25
	H8	94	17	90113-759-003	J9	127	13		2-E1	247	14	92101-08028-0A	L5	155	10					J4	122	26
	2-B5	203	25		K2	136	17		H11	97	32	92301-04006-0H	2-B13	211	24	93893-05016-00				2-C11	225	27
	2-B9	207	19	90113-GE4-000	H1	87	18	90650-SB2-003	H11	97	32		2-C7	221	21	93894-06016-00				M5	171	11
	2-C11	225	22	90114-SAO-000	2-B6	204	27	90652-GHB-680	J10	128	16	92301-05016-0A	2-B13	211	21	93903-34110				L3	153	16
90013-ZJ1-800	M11	177	9		2-B9	207	22	90654-SA4-003	2-C12	226	4					93903-35380				H9	95	22
90014-952-000	E6	44	19		2-C4	218	21	90658-SAO-003	N1	183	12		2-C7	221	22	93913-25580				H9	95	23
	E10	48	22		2-C11	225	24	90673-GJ5-003	N1	183	13											
	M3	169	8	90120-102-000	J8	126	14	90676-SA8-003	2-D2	232	16	92301-05025-0A	2-B13	211	23	94000						
	2-B13	211	18	90121-952-000	N1	183	11	90682-959-661	H14	100	22		2-C4	218	22							
	2-C3	217	19	90121-ZJ1-000	E1	39	13		I12	114	22		2-C7	221	23	94001-04080-0S				2-D3	233	19
	2-C7	221	18	90122-ZA0-007	2-D6	236	5		J3	121	23	92800-14000	E13	51	23	94001-04390-0S				2-D3	233	19
	2-C8	222	7	90133-SG0-003	K5	139	17	90686-459-711	2-C12	226	5		E16	54	20	94001-05000-0S				2-B7	205	34
	2-D7	237	10	90201-ZG3-000	M11	177	10	90702-GB6-910	G7	77	24	92900-08025-0B	E1	39	15					2-B9	207	28
90014-ZE2-000	E6	44	18	90202-ZJ1-840	2-C12	226	3	90741-805-000	F9	63	5									2-C11	225	31
	E10	48	21	90203-ZA0-800	J9	127	14	90741-889-810	F9	63	5	93000				94001-08200-0S				2-B1	199	19
90014-ZE6-000	F3	57	29		K2	136	18	90741-ZE2-000	M11	177	12					94050-05000				H9	95	24
	F6	60	20	90206-250-000	G3	73	25	90745-ZE2-600	F9	63	5	93404-06016-00	L9	159	16	94050-06000				H1	87	20
	N1	183	9	90206-ZE1-000	G7	77	21	90745-ZJ1-V10	F9	63	5	93500-04006-0H	2-B6	204	29					H10	96	25
	N2	184	18	90306-463-740	2-D6	236	6	90851-898-000	L6	156	13		2-B9	207	24					K1	135	18
90014-ZE8-000	F6	60	20	90313-ZJ1-840	H9	95	20	90852-898-000	K5	139	18		2-B13	211	24					N4	186	7
90015-883-000	F7	61	20	90314-ZJ1-840	I11	113	21	90901-ZJ1-003	G4	74	27		2-C11	225	26					2-B7	205	35
90015-ZE3-790	2-B6	204	26		J3	121	21					93500-04012-0H	2-D3	233	18					2-B9	207	29
	2-B9	207	20	90320-MM5-000	H1	87	19	91000				93500-04014-1H	J2	120	13					2-B13	211	26
	2-B13	211	19	90380-MA6-010	2-D2	232	15	91001-ZJ1-841	E15	53	14	93500-04020-0A	J8	126	15					2-C5	219	24
	2-C3	217	20	90401-ZG3-000	M11	177	11	91002-ZG4-801	N16	198	18		J10	128	17					2-C7	221	26
	2-C7	221	19	90401-ZJ1-000	F9	63	13	91002-ZJ1-841	E15	53	15	93500-04025-0G	J10	128	18					2-C8	222	10
	2-C8	222	8					91201-ZE9-003	E15	53	16	93500-05010-0A	F3	57	19					2-C11	225	32
	2-C11	225	23	90401-ZJ1-940	F9	63	14	91201-ZJ1-003	E13	51	20		2-B6	204	30	94050-06070				H10	96	25
90016-ZG9-N30	2-B9	207	21	90404-GE2-760	L11	161	11		F3	57	16		2-B9	207	25							26
	2-B14	212	29	90407-ZJ1-004	N6	188	19	91201-ZJ1-841	E15	53	17	93500-05016-0A	2-C11	225	27	94050-08000				E1	39	16
	2-C5	219	26	90441-ZE2-010	E6	44	21	91202-ZJ1-841	F7	61	24		2-B6	204	30					E6	44	22
	2-C7	221	23		E11	49	25	91206-333-003	F3	57	17		2-B7	205	33					E11	49	26
90017-ZJ1-000	J7	125	12	90442-ME5-000	E13	51	19	91301-805-000	E1	39	14		2-B9	207	26					L8	158	12
90018-PN3-000	E13	51	16	90446-357-000	G3	73	26	91302-MB6-830	E13	51	28		2-C11	225	27	94050-10000				E13	51	24
	F3	57	30		G7	77	22		E15	53	18									E16	54	21
	F7	61	21	90471-ZE3-000	F9	63	7		F3	57	31	93500-05025-0A	2-B13	211	25	94070-06080				N4	186	8
	H1	87	14	90473-147-000	F7	61	22	91302-ZE9-003	F3	57	31		2-C4	218	23	94071-06080				L9	159	18
	H8	94	18	90501-399-880	2-E3	249	10		F7	61	25		2-C7	221	24	94101-06800				F7	61	26
	J7	125	13		2-E6	252	11	91314-ME5-003	2-D7	237	11									G7	77	25
	L8	158	8	90501-GK8-870	K11	145	14					93500-05025-0H	2-B7	205	31	94102-08800				E16	54	22

# PART NO. INDEX

Part Number	Address	Page	Ref.	Part Number	Address	Page	Ref.	Part Number	Address	Page	Ref.	Part Number	Address	Page	Ref.
94103-06800	K5	139	20	95002-41050-08	L6	156	21		L3	153	10	98079-5587V	E9	47	26
94109-14000	E13	51	25		L10	160	19		L5	155	12	98079-56846	E2	40	21
	E16	54	23		L15	165	12	95701-08016-00	L8	158	16	98200-32500	2-D5	235	24
94111-04800	2-D3	233	20	95002-50000	M7	173	14		M11	177	14		2-D16	246	17
94111-06800	K11	145	18	95003-25003-20	M7	173	25		M12	178	17		2-E1	247	8
94111-08000	2-B1	199	20	95003-25007-20	J4	122	30		2-B7	205	38		2-E2	248	9
94251-08000	E16	54	24	95003-25018-20	L8	158	15	95701-08020-00	E7	45	24				
94251-10000	2-C5	219	25	95003-36010-20	J4	122	31		E11	49	28	99000			
94301-08140	F3	57	20	95003-36016-20	L15	165	13		J2	120	14				
	F7	61	27	95005-45460-20	H15	101	25		K3	137	25	99001-10120	2-D14	244	4
94301-10120	N5	187	9	95018-50250	J7	125	11		K9	143	9	99001-14170	2-D14	244	5
	2-B1	199	21		K3	137	20		K15	149	9	99008-02300	2-D15	245	6
94301-12200	E2	40	17	95018-52250	K3	137	20		L12	162	17	99101-ZJ4-0900	H15	101	27
	E7	45	23	95018-58250	K3	137	21		2-E3	249	13	99101-ZJ4-0920	H15	101	27
	E11	49	27		K5	139	21		2-E6	252	14	99101-ZJ4-0950	H15	101	27
94305-60282	G7	77	26	95701-06008-00	G14	84	14	95701-08025-00	L7	157	24	99101-ZJ4-1000	I16	118	28
94510-17000	G4	74	28		H1	87	21		L8	158	17	99101-ZJ4-1020	I16	118	28
94601-18000	F11	65	8		H10	96	27		L13	163	17	99101-ZJ4-1050	I16	118	28
	F14	68	7		K8	142	7	95701-08028-00	K11	145	16	99201-ZG8-0820	H15	101	27
					K14	148	7		L1	151	16	99201-ZG8-0850	H15	101	27
95000					L3	153	8	95701-08030-00	L7	157	25	99201-ZG8-0900	H15	101	27
							9		L8	158	18	99201-ZG8-0920	H15	101	27
95001-45055-40	M7	173	22		L5	155	11		L13	163	18	99201-ZG8-0950	H15	101	27
95001-45100-50	L10	160	21		L15	165	14	95701-08045-00	K11	145	17	99201-ZG8-0980	H15	101	27
95001-45110-40	L15	165	8		N2	184	15		L1	151	17	99201-ZG8-1000	H15	101	27
95001-45140-40	J1	119	32	95701-06010-00	2-D3	233	21	95701-08050-00	F3	57	22		I15	117	28
95001-45140-50	L9	159	11	95701-06012-00	H1	87	13		F7	61	29	99201-ZG8-1020	I15	117	28
	L13	163	14		J10	128	19		L4	154	17	99201-ZG8-1050	I16	118	28
95001-45260-40	L8	158	13		K3	137	22	95701-08055-00	L3	153	11	99201-ZG8-1080	I16	118	28
95001-45280-50	J4	122	27		M11	177	13		L4	154	17	99201-ZG8-1100	I16	118	28
95001-45340-50	2-D16	246	22		2-D4	234	22	95701-08110-00	N5	187	10	99201-ZJ0-1050	J4	122	33
95001-45380-50	J4	122	27		2-E3	249	11		2-B2	200	22				
95001-45670-50	J1	119	33		2-E6	252	12	95701-10075-00	E2	40	19				
95001-55030-40	M7	173	23	95701-06014-00	L15	165	15	95701-10080-00	E7	45	25				
95001-55195-40	L15	165	9	95701-06016-00	K3	137	23	95701-10130-00	E2	40	20				
95001-55215-40	L15	165	10		2-E3	249	12	95801-06090-08	H15	101	26				
95001-55950-50	2-D16	246	23		2-E6	252	13	95801-06105-08	H15	101	26				
95001-55990-50	L9	159	12	95701-06018-00	J8	126	17		H16	102	13				
	L13	163	15	95701-06020-00	F3	57	21	95801-06120-00	I15	117	27				
95002-02080	H15	101	24		F7	61	28		J4	122	32				
	I14	116	26		K5	139	22	96000							
	J4	122	28		L7	157	22								
	L8	158	14	95701-06022-00	2-D7	237	12	96001-06016-00	L12	162	16				
	L15	165	11	95701-06025-00	G7	77	27	96140-60030-10	E13	51	27				
	M5	171	12		L7	157	23		F1	55	26				
	M7	173	19	95701-06028-00	K1	135	11	96211-12000	F3	57	23				
			20				19		F7	61	30				
			24		K3	137	24	96600-06016-00	F3	57	24				
95002-02100	L12	162	14		K5	139	23		F7	61	31				
	M6	172	13	95701-06032-00	E2	40	18								
	M7	173	20		2-D4	234	23								
95002-40800-08	2-E4	250	7	95701-06035-00	L6	156	16	98000							
95002-40850-08	J1	119	34	95701-06045-07	L12	162	15								
	J4	122	29	95701-06050-00	L3	153	11	98079-52876	E7	45	26				
	L6	156	20	95701-06075-09	E13	51	26	98079-5485V	E7	45	26				
	L9	159	13		F1	55	25	98079-5487V	E8	46	26				
	L13	163	16	95701-06095-00	K1	135	20	98079-5547V	E11	49	29				
	2-D16	246	24	95701-08014-00	K9	143	8	98079-55846	E2	40	21				
	2-E4	250	8		K15	149	8	98079-5585V	E9	47	26				

# PART NAME INDEX

Part name	Address	Page	Ref.	Part name	Address	Page	Ref.	Part name	Address	Page	Ref.
<b>[ A ]</b>											
ALERT UNIT, OIL .....	H7	93	15	BEARING B, MAIN .....	F2	56	4	BOLT, FLANGE, 6X16 .....	K3	137	23
ARMATURE COMP. ....	N5	187	12	BEARING C, CONNECTING ROD .....	F11	65	5		L12	162	16
	N10	192	6	BEARING C, MAIN .....	E12	50	5		2-E3	249	12
ARM COMP., CONTROL .....	2-C1	215	8		F2	56	4		2-E6	252	13
ARM COMP., GOVERNOR .....	2-B3	201	6	BEARING D, CONNECTING ROD .....	F11	65	5	BOLT, FLANGE, 6X18 .....	J8	126	17
				BEARING E, CONNECTING ROD .....	F11	65	5	BOLT, FLANGE, 6X20 .....	F3	57	21
	2-B8	206	4	BEARING F, CONNECTING ROD .....	F11	65	5		F7	61	28
	2-C6	220	4	BEARING G, CONNECTING ROD .....	F11	65	5		H1	87	17
	2-C9	223	6	BEARING, NEEDLE, 8X12X10 .....	E15	53	15		K5	139	22
				BEARING, NEEDLE, 8X12.7X11.1 ..	E15	53	14		L7	157	22
				BEARING, RADIAL BALL, 6003 .....	E13	51	27		L8	158	9
					F1	55	26		L13	163	13
ARM, GOVERNOR .....	2-B11	209	4	BOLT-WASHER, 5X30 .....	K5	139	17	BOLT, FLANGE, 6X22 .....	2-D7	237	12
	2-B16	214	4	BOLT-WASHER, 6X16 .....	L9	159	16	BOLT, FLANGE, 6X23 .....	H1	87	14
	2-C8	222	2	BOLT, AIR CLEANER .....	J7	125	12		H8	94	18
ARM, VALVE ROCKER .....	F15	69	5		J9	127	13		J7	125	13
	G6	76	4		K2	136	17		L8	158	8
ARRESTER, SPARK .....	K10	144	11	BOLT, BATTERY SETTING .....	2-D6	236	4		L13	163	12
	K16	150	11	BOLT, BATTERY TERMINAL .....	2-D6	236	5	BOLT, FLANGE, 6X25 .....	E1	39	13
	L3	153	13	BOLT, CONNECTING ROD .....	F11	65	6		G7	77	27
	L5	155	5	BOLT, CONNECTING ROD, 6X37 .....	F13	67	6		L7	157	23
				BOLT, DRAIN PLUG, 14MM .....	E13	51	23		N1	183	11
					E16	54	20	BOLT, FLANGE, 6X28 .....	F7	61	20
				BOLT, FLANGE, 10X130 .....	E2	40	20		K1	135	11
BAG, TOOL, 230MM .....	2-D15	245	6	BOLT, FLANGE, 10X75 .....	E2	40	19				
BALL, STEEL, .....	F3	57	23	BOLT, FLANGE, 10X80 .....	E7	45	25		K3	137	24
	F7	61	30	BOLT, FLANGE, 10X81 .....	E11	49	24		K5	139	23
BALL, STEEL, 18 .....	G4	74	27	BOLT, FLANGE, 5X16 .....	G7	77	19	BOLT, FLANGE, 6X32 .....	E2	40	18
BAND .....	2-C16	230	10	BOLT, FLANGE, 6MM .....	E10	48	19		E13	51	18
BAND ASSY. ....	K7	141	6		H1	87	18		E15	53	13
	K13	147	6		K1	135	17		N1	183	9
	L3	153	7		K5	139	16				10
BAND, AIR CLEANER CONNECTING TUBE	J7	125	10	BOLT, FLANGE, 6X10 .....	2-D3	233	21				11
				BOLT, FLANGE, 6X105 .....	H15	101	26		2-D4	234	23
					H16	102	13	BOLT, FLANGE, 6X35 .....	F3	57	29
	J9	127	10		H8	94	17		F6	60	20
	J10	128	16	BOLT, FLANGE, 6X12 .....	H1	87	13		L6	156	16
	K3	137	20		H8	94	17		N1	183	9
					J10	128	19		N2	184	18
					K3	137	22	BOLT, FLANGE, 6X45 .....	L12	162	15
	K5	139	21		M11	177	13	BOLT, FLANGE, 6X50 .....	L3	153	11
BAND, TUBE CLIP, 12.5MM .....	2-D16	246	8		2-B5	203	25	BOLT, FLANGE, 6X75 .....	E13	51	26
	2-E2	248	5		2-B9	207	19		F1	55	25
BAND, TUBE CLIP, 20MM .....	2-D16	246	7		2-C11	225	22	BOLT, FLANGE, 6X8 .....	G14	84	14
	2-E2	248	4		2-D4	234	22		H1	87	21
BAND, WIRE HARNESS, 150MM .....	2-D2	232	16		2-E3	249	11		H10	96	27
BARREL ASSY., CYLINDER .....	E12	50	1		2-E6	252	12		K8	142	7
	E14	52	1	BOLT, FLANGE, 6X120 .....	I15	117	27		K14	148	7
	E15	53	1		J4	122	32		L3	153	8
BASE COMP., OIL FILTER .....	F3	57	26	BOLT, FLANGE, 6X14 .....	E6	44	19				9
	F5	59	9		E10	48	22		L5	155	11
BASE, CLIP .....	L15	165	6		L15	165	15		L15	165	14
BASE, OIL FILTER .....	F5	59	10		M3	169	8		N2	184	15
BATTERY ASSY. ....	2-D6	236	1		2-B13	211	18	BOLT, FLANGE, 6X90 .....	H15	101	26
BEARING A .....	N16	198	18		2-C3	217	19	BOLT, FLANGE, 6X95 .....	K1	135	20
BEARING A, CONNECTING ROD .....	F11	65	5		2-C7	221	18	BOLT, FLANGE, 8X110 .....	N5	187	10
BEARING A, MAIN .....	E12	50	5		2-C8	222	7		2-B2	200	22
	F2	56	4		2-D7	237	10				
BEARING B, CONNECTING ROD .....	F11	65	5	BOLT, FLANGE, 6X16 .....	E13	51	17		K9	143	8
BEARING B, MAIN .....	E12	50	5		E15	53	12		K15	149	8

# PART NAME INDEX

Part name	Address	Page	Ref.	Part name	Address	Page	Ref.	Part name	Address	Page	Ref.	
BOLT, FLANGE, 8X14	L3	153	10	BOLT, SOCKET, 6X16	F7	61	31	CAP, CHOKE DUST	J3	121	10	
	L5	155	12	BOLT, SOCKET, 8X45	E6	44	17	CAP, OIL	E1	39	9	
BOLT, FLANGE, 8X16	L8	158	16		E10	48	20	CAP, OIL FILLER	E5	43	11	
	M11	177	14	BOLT, SPECIAL, 5MM	J16	134	10		E9	47	27	
	M12	178	17	BOLT, STUD, 6X108	J2	120	12		E10	48	11	
	2-B7	205	38	BOLT, STUD, 6X71	H8	94	19		E11	49	30	
BOLT, FLANGE, 8X20	E7	45	24	BOLT, STUD, 6X75	H1	87	15	CARBURETOR ASSY.	H13	99	11	
	E11	49	28	BOLT, STUD, 8X22	E6	44	20		H16	102	4	
	J2	120	14		E11	49	23		I6	108	10	
	K3	137	25	BOLT, STUD, 8X25	E1	39	15		J2	120	3	
	K9	143	9	BOLT, THROUGH	N6	188	18		J3	121	9	
	K15	149	9		M13	195	11	CARTRIDGE, OIL FILTER	E12	50	7	
	L12	162	17	BOLT, UBS, 12X28	M11	177	9		E13	51	7	
	2-E3	249	13	BOX ASSY., CONTROL	2-C15	229	7		F3	57	25	
	2-E6	252	14	BRACKET COMP., FR.	N5	187	16		F5	59	8	
BOLT, FLANGE, 8X25	L7	157	24	BRACKET COMP., L. SHROUD	2-E3	249	6	CASE COMP., AIR CLEANER	2-E2	248	10	
	L8	158	17		2-E6	252	7		J6	124	5	
	L13	163	17	BRACKET COMP., R. SHROUD	2-E3	249	5		J13	131	4	
BOLT, FLANGE, 8X28	K11	145	16		2-E6	252	6		K2	136	5	
	L1	151	16	BRACKET, CABLE CLIP	H10	96	28		K4	138	4	
BOLT, FLANGE, 8X30	L7	157	25	BRACKET, CASE MOUNTING	2-C13	227	2	CASE COMP., RECOIL STARTER	G12	82	2	
	L8	158	18	BRACKET, FUEL TANK	L11	161	4	CASE, CONTROL	2-C13	227	1	
	L13	163	18	BRACKET, HARNESS CLIP	J3	121	20	CHAMBER SET, FLOAT	H12	98	6	
BOLT, FLANGE, 8X45	K11	145	17	BRACKET, L. AIR CLEANER	E10	48	16		I4	106	6	
	L1	151	17	BRACKET, REGULATOR RECTIFIER	2-D5	235	30		J2	120	1	
BOLT, FLANGE, 8X50	F3	57	22	BRACKET, R. AIR CLEANER	E10	48	15	CIRCLIP, 5MM	J3	121	6	
	F7	61	29	BRACKET, STARTER MAGNETIC					2-B6	204	28	
	L4	154	17		SETTING	N3	185	2		2-B9	207	23
	M11	177	16	BRACKET, WIRE HARNESS CLIP	H7	93	13		2-B13	211	20	
BOLT, FLANGE, 8X55	L3	153	11		2-C15	229	5		2-C7	221	20	
	L4	154	17	BRUSH	N11	193	8		2-C11	225	25	
BOLT, GOVERNOR ARM	2-B6	204	26	BRUSH SET	N5	187	14	CIRCLIP, EXTERNAL, 17MM	G4	74	28	
	2-B9	207	20	BULB, PRIMER	2-D16	246	1	CLAMPER, CORD	E13	51	11	
	2-B13	211	19		2-E2	248	1		E15	53	8	
	2-C3	217	20	BULB, WEDGE BASE	2-E1	247	3	CLAMP ASSY.	J9	127	12	
	2-C7	221	19	BUSH, LINKAGE	2-B12	210	17		K2	136	13	
	2-C8	222	8		2-C3	217	18	CLAMP, CORD	N2	184	16	
	2-C11	225	23		2-C7	221	17	CLAMP, HOSE	2-D7	237	9	
BOLT, HEAD COVER	E6	44	18					CLAMP, TUBE	J1	119	34	
	E10	48	21	[ C ]					J4	122	29	
	F6	60	20	CABLE COMP., CHOKE	2-D16	246	18		L6	156	20	
BOLT, HEX., 3/8-24UNF	F9	63	6		2-E2	248	6		L9	159	13	
BOLT, HEX., 8X28	L5	155	10	CAMSHAFT ASSY.	F15	69	2		L10	160	19	
BOLT, PIVOT, 8MM	G7	77	20		G4	74	29		L13	163	16	
BOLT, RECESSED, 4X6	2-B13	211	24		G6	76	2		L15	165	12	
	2-C7	221	21	CAMSHAFT COMP.	F15	69	3		2-D16	246	24	
BOLT, RECESSED, 5X16	2-B13	211	21	CAP ASSY., FUEL TANK	L11	161	7		2-E4	250	7	
				CAP ASSY., NOISE SUPPRESSOR	M15	181	4					
	2-C7	221	22	CAP COMP., FUEL FILLER	L6	156	9	CLAMP, WATER HOSE	J2	120	11	
					L8	158	5	CLEANER ASSY., AIR	J9	127	1	
BOLT, RECESSED, 5X25	2-B13	211	23		L9	159	8	CLIP B, CABLE	H14	100	22	
	2-C4	218	22	CAP COMP., IN.	L13	163	9		I12	114	22	
	2-C7	221	23		J9	127	11	CLIP, AIR CLEANER	J3	121	23	
BOLT, SEALING	F2	56	3		K2	136	12		J13	131	3	
	F3	57	32	CAP, AIR CLEANER	K1	135	14	CLIP, BREATHER TUBE	H12	98	2	
	F5	59	3	CAP, CHOKE DUST	H13	99	12		H16	102	2	
BOLT, SEALING, 12MM	F3	57	15		H16	102	5		I2	104	2	
BOLT, SEALING, 20MM	E12	50	6		I7	109	11					
BOLT, SOCKET, 6X16	F3	57	24									

# PART NAME INDEX

Part name	Address	Page	Ref.	Part name	Address	Page	Ref.	Part name	Address	Page	Ref.
CLIP, BREATHER TUBE .....	J3	121	2	COLLAR A, AIR CLEANER .....	K3	137	27	COVER, FAN .....	G15	85	3
	K1	135	13		K4	138	12		H3	89	3
CLIP, CORD .....	N1	183	13	COLLAR B, TAILLIGHT .....	H1	87	12				4
CLIP, GOVERNOR HOLDER .....	F7	61	23		H7	93	14				5
	G7	77	23	COLLAR SET, CLUTCH STOP .....	N8	190	2	COVER, FUEL PUMP .....	H2	88	1
CLIP, HARNESS .....	N2	184	19	COLLAR, 12MM .....	2-D7	237	1				2
CLIP, HIGH TENSION CORD .....	I16	118	31	COLLAR, AIR CLEANER CASE .....	J8	126	14		H11	97	33
CLIP, PISTON PIN, 18MM .....	F11	65	8	COLLAR, CONTROL BOX .....	K5	139	19		L14	164	3
	F14	68	7	COLLAR, DISTANCE .....	H14	100	21	COVER, HEAD .....	E1	39	6
CLIP, PURSE LOCK .....	I13	115	23		H16	102	11		E4	42	8
	J3	121	24		2-E4	250	3		E5	43	9
	2-C12	226	6	COLLAR, ENGINE MOUNTING .....	K11	145	15		E10	48	8
	2-E1	247	15		L1	151	15				9
CLIP, TUBE .....	H15	101	24	COLLAR, FILTER SETTING .....	E13	51	10	COVER, HEAD FILLER .....	E1	39	7
	I14	116	26		E15	53	7		E4	42	8
	J3	121	22	COLLAR, FR. ENGINE HANGER .....	L8	158	7		E5	43	9
	J4	122	28	COLLAR, FUEL PUMP DISTANCE .....	2-E4	250	3		E10	48	8
	L8	158	14	COLLAR, MUFFLER MOUNTING .....	K11	145	14				9
	L12	162	14		L1	151	14	COVER, OIL FILTER .....	F2	56	8
	L15	165	11	COLLAR, STOPPER .....	2-B5	203	21		F5	59	7
	M5	171	12		2-B9	207	31	COVER, RECOIL STARTER STAY .....	H7	93	12
	M6	172	13		2-B12	210	13	COVER, R. SIDE PLATE .....	G16	86	7
	M7	173	14		2-C2	216	13	COVER, STARTING MOTOR TERMINAL .....	N4	186	5
			19		2-C6	220	12	COVER, TERMINAL .....	N15	197	17
			20		2-C11	225	21	CRANKSHAFT COMP. ....	F8	62	1
			24	COLLAR, TANK CUSHION .....	L6	156	14				2
CLIP, VALVE GUIDE .....	E1	39	4	COLLAR, TANK SETTING .....	L11	161	12				3
	E3	41	5	CONTROL ASSY. ....	2-B3	201	3		F9	63	3
	E10	48	5		2-B8	206	2				9
CLIP, WIRE CORD .....	H11	97	30		2-B9	207	30				10
CLIP, WIRE HARNESS .....	H9	95	21		2-B10	208	2				15
	L15	165	7		2-B15	213	2	CUP, FUEL STRAINER .....	L6	156	6
	M4	170	9		2-C6	220	2		L9	159	6
	M7	173	17		2-C8	222	1		L13	163	6
			18		2-C9	223	3	CUSHION, VALVE CONTROL UNIT .....	2-E1	247	13
	N1	183	12	CONTROL UNIT, VALVE .....	2-E1	247	12				
			13	COOLER ASSY., OIL .....	2-D7	237	2	[ D ]			
	N2	184	14	COOLER COMP., OIL .....	2-D7	237	3	DEFLECTOR, MUFFLER .....	L3	153	14
	2-D5	235	26	CORD, EARTH .....	2-E1	247	1	DIODE ASSY., ENGINE STOP .....	M16	182	7
			27	CORD, MAGNET SWITCH .....	N3	185	3		N1	183	7
	2-E1	247	14	COVER .....	N12	194	10	DOWEL PIN, 10X12 .....	N5	187	9
CLIP, WIRE HARNESS, 10MM .....	H11	97	32	COVER ASSY., AIR CLEANER .....	J14	132	6		2-B1	199	21
CLIP, WIRE HARNESS, 6MM .....	2-C12	226	4		K4	138	9	DOWEL PIN, 12X20 .....	E2	40	17
CLUTCH COMP., OVERRUNNING .....	N11	193	7	COVER ASSY., CONTROL .....	2-E3	249	1		E7	45	23
COCK ASSY., FUEL .....	L6	156	2		2-E6	252	2		E11	49	27
	L8	158	1	COVER ASSY., CRANKCASE .....	F2	56	1	DOWEL PIN, 8X12 .....	G7	77	24
	L9	159	3		F4	58	1	DOWEL PIN, 8X14 .....	F3	57	20
	L11	161	1	COVER ASSY., OIL PUMP .....	F2	56	5		F7	61	27
	L13	163	3		F5	59	4	DUCT, LOWER MUFFLER .....	L5	155	2
COIL ASSY., CHARGE .....	M16	182	5	COVER A, MAGNETIC SWITCH .....	N3	185	4	DUCT, UPPER MUFFLER .....	L5	155	3
			6	COVER B, CONTROL .....	2-E3	249	3				
	N2	184	17		2-E6	252	4	[ E ]			
COIL ASSY., IGNITION .....	M13	179	1	COVER COMP., AIR CLEANER .....	J9	127	6	ELBOW COMP., AIR CLEANER .....	H14	100	20
	M14	180	1		K2	136	8		H16	102	10
	M15	181	3	COVER, AIR CLEANER .....	J6	124	6		I11	113	20
COIL ASSY., POWER .....	M16	182	5	COVER, BREATHER .....	E12	50	2		J3	121	19
COLLAR A, AIR CLEANER .....	J2	120	10		E15	53	2	ELEMENT ASSY., AIR CLEANER .....	J11	129	1
	J15	133	9	COVER, FAN .....	G15	85	1				
	K1	135	15				2				





# PART NAME INDEX

Part name	Address	Page	Ref.	Part name	Address	Page	Ref.	Part name	Address	Page	Ref.	
ELEMENT COMP., AIR CLEANER ...	J9	127	5	GRIP, STARTER .....	G13	83	10	HOLDER, GOVERNOR WEIGHT .....	F5	59	15	
	J11	129	1	GROMMET .....	K2	136	16		G2	72	18	
	K2	136	4	GROMMET, AIR CLEANER .....	J7	125	7	HOLDER, OIL FILTER .....	E13	51	16	
	K4	138	1		J9	127	7		F3	57	30	
ELEMENT SET, AIR CLEANER .....	J5	123	1		K2	136	9		F7	61	21	
EMBLEM .....	2-D8	238	2	GROMMET, CORD .....	H1	87	22	HOLDER, SCREEN GRID .....	M9	175	6	
	2-D10	240	1		L14	164	5	HOLDER, STOP SWITCH CORD .....	2-D1	231	13	
				GROMMET, HIGH TENSION CORD .....	M15	181	2	HOLDER, WIRE .....	2-B5	203	19	
[ F ]				GROMMET, PUMP STAY .....	M5	171	10		2-B9	207	14	
FAN, COOLING .....	M8	174	1	GROMMET, RESERVE TANK .....	K2	136	15		2-B11	209	12	
FILTER COMP., FUEL .....	L6	156	11		M3	169	7		2-B12	210	12	
	L9	159	10	GROMMET, TOOL .....	M1	183	8		2-C6	220	11	
FILTER, CUP .....	L6	156	5	GUARD, HEAT .....	K11	145	13		2-C11	225	19	
FILTER, FUEL .....	L9	159	10		L1	151	13	HOOD, FAN COVER .....	G16	86	6	
	L13	163	11	GUIDE, EX. VALVE .....	E1	39	3	HOSE A, OIL .....	2-D7	237	5	
FILTER, FUEL LINE .....	L15	165	17		E3	41	3	HOSE B, OIL .....	2-D7	237	6	
FILTER, OUTER .....	J6	124	4	GUIDE, IN. VALVE .....	E10	48	3	HOSE, AIR CLEANER .....	J7	125	8	
	J12	130	2		E3	41	2	HOSE, FUEL .....	J2	120	7	
	K4	138	2		E10	48	2		L9	159	12	
FLOAT SET .....	H12	98	5	[ H ]				HOSE, FUEL, 4.5X100 .....	L10	160	21	
	I3	105	5	HANDLE, BOX WRENCH .....	2-D14	244	3	HOSE, FUEL, 4.5X140 .....	L9	159	11	
	J3	121	5	HANGER, ENGINE .....	E3	41	1		L13	163	14	
FLYWHEEL COMP. ....	M9	175	7		E10	48	1	HOSE, FUEL, 4.5X280 .....	J4	122	27	
	M10	176	7	HARNASS ASSY., REGULATOR				HOSE, FUEL, 4.5X380 .....	J4	122	27	
	M11	177	7					HOSE, FUEL, 4.5X670 .....	J1	119	33	
				HARNASS ASSY., REGULATOR				HOSE, FUEL, 5.5X990 .....	L9	159	12	
FORK, GOVERNOR .....	F2	56	12	RECTIFIER	2-D5	235	32		L13	163	15	
FUSE, BLADE .....	2-D5	235	24	HARNASS ASSY., SUB WIRE .....	2-C15	229	6	HOSE, OIL .....	F7	61	32	
	2-D16	246	17		2-E1	247	2					
	2-E1	247	8	HEAD COMP., CYLINDER .....				[ I ]				
	2-E2	248	9		E1	39	1	INSULATOR, BRUSH HOLDER .....	N15	197	16	
					E3	41	4	INSULATOR, CARBURETOR .....	H13	99	17	
									H16	102	6	
					E10	48	4		I9	111	17	
									J2	120	5	
									J3	121	15	
[ G ]				HEAD COMP., L. CYLINDER .....	E1	39	2					
GASKET KIT .....	2-E5	251	1	HEAD COMP., R. CYLINDER .....	E1	39	1	[ J ]				
GASKET SET .....	H12	98	3	HOLDER COMP., AIR CLEANER				JET SET, .....	H13	99	13	
	I3	105	3		LOWER	J9	127	4		H15	101	27
	J3	121	3		K2	136	3		I7	109	12	
GASKET, CASE COVER .....	F4	58	2	HOLDER COMP., AIR CLEANER					J3	121	11	
GASKET, CYLINDER HEAD .....	E1	39	5		UPPER	J9	127	3	JET SET, MAIN, .....	H15	101	27
	E3	41	7	HOLDER COMP., BRUSH .....	N5	187	15		I15	117	28	
	E10	48	7	HOLDER, BRUSH .....	N15	197	15		I16	118	28	
GASKET, EX. PIPE .....	E1	39	12	HOLDER, CABLE .....	2-B5	203	15		J4	122	33	
	E6	44	15		2-B8	206	11	JET, MAIN, .....	H15	101	27	
	E10	48	17		2-B11	209	8		H16	118	28	
	L5	155	4					JOINT ASSY., CONNECTING TUBE ..	K1	135	16	
GASKET, FLOAT CHAMBER .....	J2	120	4		2-B14	212	30		K2	136	14	
GASKET, INTAKE MANIFOLD .....	E1	39	11		2-C6	220	8		K5	139	14	
	E5	43	14		2-C7	221	14	JOINT A, CONNECTING TUBE .....	K5	139	15	
	E10	48	14					JOINT COMP., FUEL .....	J2	120	8	
GAUGE COMP., OIL LEVEL .....	F2	56	10	HOLDER, CHOKE KNOB .....	2-B5	203	23	JOINT, FUEL TANK .....	L8	158	2	
	F5	59	12		2-B9	207	17	JOINT, FUEL TUBE .....	I16	118	30	
	N5	187	11	HOLDER, DECOMPER PIN .....	2-B9	207	17		2-E4	250	5	
GEAR SET, PINION .....	F5	59	13		F15	69	9	JOINT, OIL HOSE .....	F7	61	33	
GOVERNOR ASSY. ....	M9	175	4									
GRID, SCREEN .....	M12	178	18									
GRILLE, OIL COOLER .....	2-D7	237	4									
GRIP, REINFORCEMENT .....	G14	84	12									

# PART NAME INDEX

Part name	Address	Page	Ref.	Part name	Address	Page	Ref.	Part name	Address	Page	Ref.
JOINT, ROD .....	2-B3	201	1	MANIFOLD, INTAKE .....	E10	48	13	NUT SET, TERMINAL .....	N5	187	17
	2-B8	206	1	MARK .....	2-D13	243	30	NUT, BATTERY TERMINAL .....	2-D6	236	6
	2-B10	208	1	MARK B, COMBINATION .....	2-D12	242	23	NUT, CONNECTING ROD .....	F11	65	7
	2-B15	213	1	MARK, CAUTION .....	2-D8	238	4	NUT, FLANGE, 10MM .....	E13	51	24
	2-C6	220	1				6		E16	54	21
	2-C9	223	1		2-D9	239	16	NUT, FLANGE, 20MM .....	M11	177	10
[ K ]							19	NUT, FLANGE, 5MM .....	H9	95	24
KEY COMP. ....	2-D1	231	12		2-D11	241	11	NUT, FLANGE, 6MM .....	H1	87	20
	2-D16	246	13		2-D12	242	15		H10	96	25
	2-E1	247	5	MARK, CONTROL BOX .....	2-D1	231	14		K1	135	18
	2-E2	248	8		2-D2	232	14		N4	186	7
KEY, 6.3X6.3X43 .....	F9	63	5	MARK, EMBLEM .....	2-D10	240	1		2-B7	205	35
KEY, 7X7X33 .....	F9	63	5	MARK, ENGINE SWITCH .....	2-D9	239	10		2-B9	207	29
KEY, SPECIAL WOODRUFF, 25X18 .	M11	177	12		2-D13	243	27		2-B13	211	26
KIT, WINTER .....	2-E6	252	1	MARK, EX. CAUTION .....	2-D9	239	21		2-C5	219	24
KNOB, CHOKE .....	2-B5	203	24		2-D11	241	13		2-C7	221	26
	2-B9	207	18		2-D12	242	13		2-C8	222	10
	2-B12	210	16	MARK, EX. GAS WARNING .....	2-D9	239	18		2-C11	225	32
	2-C3	217	17		2-D12	242	20	NUT, FLANGE, 8MM .....	E1	39	16
	2-C7	221	16	MARK, EX. WARNING .....	2-D9	239	23		E6	44	22
					2-D12	242	14		E11	49	26
[ L ]				MARK, FUEL METER .....	2-D9	239	26		L8	158	12
LABEL, CAUTION .....	2-D8	238	5		2-D12	242	21	NUT, HEX., 4MM .....	2-D3	233	19
	2-D13	243	26	MARK, FUEL WARNING .....	2-D9	239	15	NUT, HEX., 5MM .....	2-B7	205	34
LABEL, CONNECT WARNING .....	2-D9	239	25		2-D12	242	17		2-B9	207	28
	2-D12	242	16	MARK, HEAT CAUTION .....	2-D9	239	17		2-C11	225	31
LABEL, E-SPEC .....	2-D13	243	25		2-D12	242	19	NUT, HEX., 8MM .....	N13	195	13
			28	MARK, OIL ALERT .....	2-D8	238	6		2-B1	199	19
LABEL, FUEL CAUTION .....	2-D8	238	6		2-D9	239	8	NUT, INSERT, 6MM .....	I11	113	21
	2-D9	239	27		2-D11	241	6		J3	121	21
LABEL, OPERATOR NOTICE .....	2-E3	249	8	MARK, OIL CAUTION .....	2-D9	239	7	NUT, PIVOT ADJUSTING .....	G7	77	21
			9		2-D12	242	24	NUT, SELF-LOCK, 6MM .....	2-B6	204	27
	2-E6	252	9	MARK, OPERATOR CAUTION .....	2-D11	241	5		2-B9	207	22
			10	MARK, THROTTLE INDICATION .....	2-D8	238	7		2-C4	218	21
LABEL, RAIN WARNING .....	2-D9	239	20		2-D11	241	8	NUT, SPECIAL CAP .....	2-C11	225	24
	2-D11	241	12	METER ASSY., FUEL .....	L6	156	7		2-C12	226	3
LABEL, SPECIFICATION .....	2-D8	238	3		L9	159	7	NUT, SPRING, 6MM .....	H1	87	19
	2-D11	241	4		L13	163	7	NUT, SQUARE, 5MM .....	H9	95	20
LABEL, WARNING .....	2-D13	243	29	METER ASSY., HOUR .....	2-D16	246	20	NUT, TAPPET ADJUSTING .....	G3	73	25
LEVER ASSY., THROTTLE .....	2-C3	217	16	MOTOR ASSY., STARTER .....	N3	185	1	NUT, WING, 6MM .....	J9	127	14
LEVER COMP., CONTROL .....	2-B5	203	12		N9	191	3		K2	136	18
LEVER, CONTROL .....	2-B7	205	36	MUFFLER COMP. ....	K6	140	2	[ O ]			
	2-C10	224	11		K12	146	2	OIL SEAL, 10X16X4.5 .....	F3	57	17
LEVER, FUEL COCK .....	L9	159	5		L2	152	2	OIL SEAL, 38X58X11 .....	E13	51	20
	L13	163	5		L5	155	1		F3	57	16
LEVER, PINION DRIVE .....	N9	191	4	MUFFLER KIT .....	K6	140	1	OIL SEAL, 38X58X9 .....	E15	53	17
LEVER, WIRE .....	2-B5	203	20		K12	146	1		F7	61	24
	2-B9	207	15		L2	152	1	OIL SEAL, 8X14X5 .....	E15	53	16
	2-C11	225	20	[ N ]				O-RING .....	I8	110	14
LIFTER ASSY., VALVE .....	G7	77	10	NOZZLE, MAIN .....	H13	99	14		L6	156	4
LIFTER, VALVE .....	F15	69	6		I7	109	13	O-RING, 10X2.6 .....	2-D7	237	11
					J3	121	12	O-RING, 11.8X2.4 .....	F3	57	31
[ M ]				NUT-WASHER, 6MM .....	L9	159	18		F7	61	25
MANIFOLD, INTAKE .....	E1	39	10		N4	186	8	O-RING, 13X3.0 .....	E13	51	28
	E5	43	13						E15	53	18



# PART NAME INDEX

**2-G 6**

Part name	Address	Page	Ref.	Part name	Address	Page	Ref.	Part name	Address	Page	Ref.
0-RING, 13X3.0 .....	F3	57	31	PIPE COMP., EX. ....	K7	141	4	RECTIFIER ASSY., REGULATOR....	2-D5	235	28
0-RING, 14MM .....	E13	51	22		K9	143	10	RECTIFIER COMP., REGULATOR....	2-D5	235	31
	E16	54	19		K13	147	4	RETAINER, EX. VALVE SPRING....	G7	77	15
	L8	158	10		K15	149	10	RETAINER, IN. VALVE SPRING....	G1	71	16
0-RING, 26X2.7 .....	E1	39	14		L2	152	5		G7	77	14
0-RING, 5.8X1.9 .....	H13	99	15		L3	153	12				
	I8	110	14	PISTON .....	F10	64	2	RETAINER, SPRING.....	G13	83	8
	J3	121	13		F12	66	2	RING SET, PISTON.....	F10	64	1
[ P ]					F13	67	2		F12	66	1
PACKING A, ELEMENT .....	J5	123	2	PIVOT, ROCKER ARM.....	G6	76	5	RING, SNAP.....	N7	189	1
PACKING B, ELEMENT .....	J5	123	3	PLATE, AIR CLEANER SETTING....	J15	133	8	ROD ASSY., CONNECTING.....	F13	67	4
PACKING, AIR CLEANER .....	H14	100	19		K4	138	11	ROD SET, CONNECTING.....	F11	65	4
	H16	102	9	PLATE, BATTERY SETTING .....	2-D6	236	2	ROD, CHOKE CONTROL .....	2-B12	210	14
	I11	113	19	PLATE, COOLING FAN SETTING....	M8	174	2		2-C2	216	14
	J2	120	9	PLATE, FUEL INDICATION .....	2-D9	239	22		2-C6	220	13
	J3	121	18		2-D12	242	22	ROD, CHOKE KNOB.....	2-B5	203	22
PACKING, BREATHER COVER .....	E12	50	3	PLATE, GOVERNOR BOTTOM .....	G3	73	21		2-B9	207	16
	E15	53	3	PLATE, GOVERNOR SLIDER .....	G3	73	22		2-B12	210	15
PACKING, CARBURETOR .....	H13	99	18	PLATE, GOVERNOR WEIGHT HOLDER ..	G2	72	19		2-C3	217	15
	H15	101	28	PLATE, PUSH ROD GUIDE.....	G7	77	18		2-C7	221	15
	H16	102	7	PLATE, R. SIDE .....	H3	89	6	ROD, DECOMPER .....	G1	71	11
	I10	112	18	PLATE, SIDE .....	G15	85	4	ROD, GOVERNOR.....	2-B4	202	8
	J2	120	6						2-B8	206	5
	J3	121	16		H3	89	6		2-B11	209	5
PACKING, CASE COVER .....	F2	56	2		H4	90	6		2-B16	214	5
PACKING, FUEL CAP .....	L11	161	9		H5	91	7		2-C6	220	5
PACKING, FUEL FILLER CAP .....	L6	156	10	PLATE, SOLENOID .....	2-C12	226	1		2-C8	222	3
	L8	158	6	PLUG, FAN COVER HOLE .....	G16	86	8		2-C9	223	8
	L9	159	9	PLUG, INNER CONNECTOR .....	2-D5	235	29	ROD, PUSH.....	F15	69	4
	L13	163	10	PLUG, SPARK .....	E2	40	21		G6	76	3
PACKING, FUEL STRAINER CUP ...	L6	156	1		E7	45	26	ROPE, RECOIL STARTER.....	G14	84	11
	L9	159	2		E8	46	26	ROTATOR, VALVE.....	G7	77	17
	L13	163	2		E9	47	26	ROTOR, OIL PUMP OUTER.....	F2	56	6
PACKING, HEAD COVER .....	E1	39	8		E11	49	29		F5	59	5
	E5	43	10	PLUG, VENT .....	2-D6	236	3	RUBBER, AIR CLEANER HOLDER			
	E10	48	10	PROTECTOR, FAN COVER .....	H10	96	29	UPPER	K2	136	1
PACKING, OIL FILLER CAP .....	E5	43	12		H11	97	29	RUBBER, AIR CLEANER UPPER			
	E9	47	28		2-E3	249	4	HOLDER	J9	127	2
	E10	48	12	PROTECTOR, MUFFLER .....	2-E6	252	5	RUBBER, CONTROL BOX.....	K5	139	18
	E11	49	31		K7	141	3	RUBBER, FUEL PUMP MOUNTING....	2-E4	250	2
PACKING, PROTECTOR .....	J8	126	18		K13	147	3	RUBBER, GENERATOR BOTTOM.....	2-D16	246	21
PANEL COMP., CONTROL .....	2-C15	229	8	PROTECTOR, RR. MUFFLER .....	L2	152	3	RUBBER, RADIATOR MOUNTING.....	2-D7	237	8
PIN A, DECOMPER .....	F15	69	10	PULLEY, RECOIL STARTER .....	G13	83	3	RUBBER, RR. FENDER CUSHION....	H7	93	16
	F16	70	10	PULLEY, STARTER .....	M8	174	3	RUBBER, SEAT LOCK BAR CUSHION..	2-E3	249	7
PIN B, DECOMPER .....	F16	70	10	PUMP ASSY., FUEL .....	L14	164	1		2-E6	252	8
PIN C, DECOMPER .....	F16	70	10		L15	165	16	RUBBER, SUPPORTER.....	H16	102	8
PIN D, DECOMPER .....	F16	70	10		L16	166	1	RUBBER, TANK CUSHION.....	L6	156	13
	G1	71	10		2-E4	250	1	RUBBER, TANK MOUNTING.....	L6	156	17
PIN E, DECOMPER .....	G1	71	10	PURSE, LOCK, 8MM .....	2-C12	226	5		L11	161	2
PIN, DECOMPER .....	G6	76	7					RUBBER, WINKER BOLT MOUNTING..	H11	97	34
PIN, GOVERNOR WEIGHT .....	F5	59	16	[ R ]				[ S ]			
PIN, GOVERNOR WEIGHT HOLDER ..	G2	72	20	RATCHET, STARTER .....	G13	83	4	SCREEN, FUEL STRAINER.....	L6	156	3
PIN, LOCK, 10MM .....	2-C5	219	25	RECTIFIER ASSY. ....	2-C14	228	4	SCREEN, OIL FILTER.....	F2	56	9
PIN, LOCK, 8MM .....	E16	54	24		2-E1	247	10		F5	59	11
PIN, PISTON .....	F11	65	3	RECTIFIER ASSY., REGULATOR....	2-C13	227	3	SCREW-WASHER.....	H13	99	10
	F13	67	3		2-C14	228	3	SCREW-WASHER, 4X14.....	I13	115	24
PIN, SPRING, 6X28 .....	G7	77	26						J4	122	25

# PART NAME INDEX

Part name	Address	Page	Ref.	Part name	Address	Page	Ref.	Part name	Address	Page	Ref.
SCREW-WASHER, 4X8 .....	E15	53	11	SCREW, PAN, 5X28 .....	2-C11	225	30	SPACER, RECOIL STARTER			
	F3	57	14	SCREW, PAN, 5X30 .....	2-B7	205	32	MOUNTING	G16	86	11
			28	SCREW, PAN, 5X35 .....	2-B13	211	25	H1		87	11
	F6	60	19					SPACER, STARTER PULLEY			
SCREW-WASHER, 5X12 .....	H15	101	23		2-C7	221	25	MOUNTING	M9	175	5
	I13	115	25		2-C8	222	9	SPANNER, 10X12 .....	2-D14	244	4
	J4	122	26	SCREW, PAN, 6X8 .....	L3	153	8	SPANNER, 14X17 .....	2-D14	244	5
SCREW-WASHER, 5X14 .....	L8	158	11	SCREW, RECESSED, 5X25 .....	2-B9	207	21	SPONGE, FUEL CAP BREATHER .....	L11	161	8
	L11	161	13		2-B14	212	29	SPRING, BRUSH .....	N11	193	9
SCREW-WASHER, 5X16 .....	J8	126	16		2-C5	219	26	SPRING, CABLE RETURN .....	2-B5	203	18
	2-C11	225	27		2-C7	221	23	2-B11		209	11
SCREW-WASHER, 6X16 .....	M5	171	11	SCREW, SPECIAL, 6X12 .....	2-D2	232	15	2-C6		220	10
SCREW SET .....	H12	98	7	SCREW, TAPPET ADJUSTING .....	G3	73	24	2-C10		224	18
			9	SCREW, TAPPING, 4X6 .....	H1	87	16	2-C11		225	34
	H13	99	9	SCREW, TAPPING, 4X8 .....	L3	153	16	SPRING, CONTROL ADJUSTING .....	2-B5	203	17
	H15	101	29	SCREW, TAPPING, 5X16 .....	H9	95	22	2-B8		206	13
	H16	102	3	SCREW, TAPPING, 5X20 .....	H9	95	23	2-B11		209	10
	15	107	7	SEAL, AIR CLEANER .....	J9	127	9	2-B13		211	27
			9		K2	136	11	2-C2		216	12
	J2	120	2	SEAL, AIR CLEANER CASE .....	J13	131	5	2-C6		220	9
	J3	121	7		K3	137	26	2-C8		222	6
			8		K4	138	7	2-C10		224	17
SCREW SET, DRAIN .....	H12	98	8				8	SPRING, DECOMPER PIN HOLDER ...	G1	71	12
	I5	107	8		2-E1	247	16	SPRING, FRICTION .....	G13	83	5
SCREW, .....	K11	145	12	SEAL, AIR CLEANER COVER .....	J15	133	7	SPRING, GOVERNOR .....	2-B4	202	9
	L1	151	12		K4	138	10				
	L3	153	15	SEAL, CONTROL COVER .....	2-E3	249	2		2-B8	206	6
	L5	155	9		2-E6	252	3				
SCREW, CENTER .....	G14	84	13	SEAL, MUFFLER DUCT .....	L5	155	6		2-B11	209	6
SCREW, FLAT, 5X10 .....	L6	156	15				7		2-B16	214	6
	L9	159	17				8		2-C1	215	6
SCREW, OVAL, 4X32 .....	L9	159	1	SEAL, VALVE STEM .....	F15	69	1		2-C6	220	6
	L13	163	1		G4	74	30		2-C8	222	4
SCREW, PAN, 4X12 .....	2-D3	233	18		G6	76	1		2-C9	223	9
SCREW, PAN, 4X14 .....	J2	120	13	SEAT, VALVE SPRING .....	G1	71	17		2-C10	224	9
SCREW, PAN, 4X20 .....	J8	126	15		G7	77	16		2-D15	245	7
	J10	128	17	SHAFT COMP., VALVE LIFTER .....	G7	77	12	SPRING, LEVER .....	2-B5	203	13
SCREW, PAN, 4X25 .....	J10	128	18	SHAFT, FR. P.T.O. .....	M11	177	15		2-B8	206	9
SCREW, PAN, 4X6 .....	2-B6	204	29	SHAFT, GOVERNOR ARM .....	E15	53	6		2-C1	215	9
	2-B9	207	24		F2	56	11		2-C10	224	12
	2-B13	211	24	SHAFT, ROCKER ARM .....	F15	69	7	SPRING, RATCHET .....	G13	83	7
	2-C11	225	26	SHROUD .....	G16	86	9	SPRING, RELIEF VALVE .....	F2	56	7
SCREW, PAN, 5X10 .....	F3	57	19				10		F5	59	6
SCREW, PAN, 5X12 .....	2-B6	204	30		H5	91	8	SPRING, RETURN .....	2-B3	201	4
	2-B9	207	25				9		2-C9	223	4
	2-C11	225	27		H6	92	9	SPRING, STARTER .....	2-B3	201	5
SCREW, PAN, 5X16 .....	2-B6	204	30	SHROUD, HEAD .....	E6	44	16		2-B8	206	3
	2-B7	205	33		E10	48	18		2-B10	208	3
	2-B9	207	26	SHROUD, L. ....	H6	92	9		2-B15	213	3
	2-C11	225	27	SLIDER, GOVERNOR .....	F5	59	17		2-C6	220	3
			28		F6	60	17		2-C9	223	5
			35		G3	73	23	SPRING, STARTER RETURN .....	G13	83	6
SCREW, PAN, 5X25 .....	2-B7	205	31	SOCKET ASSY., LAMP .....	2-E1	247	6	SPRING, THROTTLE RETURN .....	2-B4	202	11
	2-B9	207	27	SOLENOID ASSY., ROTARY .....	2-C12	226	2		2-B8	206	8
	2-B13	211	25	SPACER, CONTROL LEVER .....	2-B5	203	16		2-B11	209	7
	2-C4	218	23		2-B8	206	12		2-C1	215	7
	2-C7	221	24		2-C1	215	11		2-C6	220	7
	2-C11	225	29		2-C10	224	16		2-C8	222	5
SCREW, PAN, 5X28 .....	2-B7	205	32						2-C10	224	10

# PART NAME INDEX

Part name	Address	Page	Ref.	Part name	Address	Page	Ref.	Part name	Address	Page	Ref.
SPRING, VALVE .....	G1	71	15	TUBE ASSY., FUEL .....	2-D16	246	4	VALVE, OIL SHUT-OFF .....	E13	51	9
	G7	77	11	TUBE B, FUEL .....	M1	167	4		E15	53	5
SPRING, VALVE LIFTER .....	G7	77	13		M7	173	15	[ W ]			
SPRING, WEIGHT RETURN .....	F15	69	8	TUBE COMP., FUEL .....	M1	167	3				
	G6	76	6	TUBE, 4.5X460 .....	H15	101	25	WASHER COMP., HEAD COVER .....	E6	44	21
STARTER ASSY., RECOIL .....	G12	82	1	TUBE, AIR CLEANER CONNECTING ..	J7	125	9		E11	49	25
STAY ASSY., AUTO THROTTLE ....	2-B3	201	2		J9	127	8	WASHER, 10.5X40X4 .....	F9	63	7
	2-C9	223	2		K2	136	10	WASHER, 20MM .....	M11	177	11
STAY A, RECOIL STARTER .....	H6	92	10		K5	139	13	WASHER, 6X16 .....	F7	61	22
STAY B, RECOIL STARTER .....	H7	93	11	TUBE, BREATHER .....	H12	98	1	WASHER, AIR CLEANER .....	J9	127	15
STAY COMP. A, AIR CLEANER ....	K2	136	6		H16	102	1		K3	137	19
STAY COMP. B, AIR CLEANER ....	K2	136	7		I1	103	1	WASHER, CONTROL ARM .....	2-C1	215	10
STAY COMP., FUEL COCK .....	L9	159	4		J3	121	1	WASHER, CONTROL LEVER .....	2-B5	203	14
	L13	163	4		K1	135	12		2-B8	206	10
STAY COMP., FUEL TANK .....	L6	156	19	TUBE, CORD, 30MM .....	2-D3	233	17		2-C10	224	13
	L8	158	4	TUBE, CORRUGATE .....	I16	118	29	WASHER, CRANKSHAFT THRUST .....	F9	63	13
	L13	163	8	TUBE, DIAPHRAGM .....	M2	168	5				
STAY, CONTROL BOX .....	2-C16	230	9	TUBE, DRAIN .....	I9	111	15	WASHER, DRAIN PLUG, 14MM .....	E13	51	25
STAY, FUEL PUMP .....	L14	164	2	TUBE, FUEL .....	J3	121	17		E16	54	23
	M1	167	2		L6	156	18	WASHER, PLAIN, 6MM .....	F7	61	26
STAY, L. AIR CLEANER CASE ....	K4	138	6		L9	159	12		G7	77	25
STAY, L. FUEL TANK .....	L11	161	6		L11	161	10		K5	139	20
STAY, MUFFLER .....	K7	141	5	TUBE, FUEL LONG .....	2-D16	246	5		L11	161	11
	K13	147	5	TUBE, FUEL SHORT .....	2-D16	246	6	WASHER, PLAIN, 8MM .....	E16	54	22
	L2	152	6	TUBE, FUEL SPECIAL .....	2-E4	250	6		2-E3	249	10
STAY, OIL COOLER .....	2-D7	237	7	TUBE, FUEL, 4.5X110 .....	L15	165	8		2-E6	252	11
STAY, R. AIR CLEANER CASE ....	K4	138	5	TUBE, FUEL, 4.5X140 .....	J1	119	32	WASHER, SEALING, 20MM .....	E13	51	19
STAY, R. FUEL TANK .....	L11	161	5	TUBE, FUEL, 4.5X260 .....	L8	158	13	WASHER, SPRING, 4MM .....	2-D3	233	20
STOPPER SET, PINION .....	N5	187	13	TUBE, FUEL, 4.5X340 .....	2-D16	246	22	WASHER, SPRING, 6MM .....	K11	145	18
STOPPER, CONTROL LEVER .....	2-B7	205	37	TUBE, FUEL, 4.5X55 .....	M7	173	22	WASHER, SPRING, 8MM .....	2-B1	199	20
	2-C10	224	15	TUBE, FUEL, 5.3X195 .....	L15	165	9	WASHER, TANK CUSHION .....	L6	156	12
STRAINER COMP., FUEL .....	L10	160	20	TUBE, FUEL, 5.3X30 .....	M7	173	23	WASHER, THRUST .....	N6	188	19
	L14	164	4	TUBE, FUEL, 5.5X215 .....	L15	165	10	WASHER, THRUST, 17.2MM .....	G3	73	26
	M3	169	6	TUBE, FUEL, 5.5X950 .....	2-D16	246	23		G7	77	22
	M7	173	16	TUBE, VINYL, 11X13X100 .....	J4	122	31	WEIGHT, GOVERNOR .....	F5	59	14
			21	TUBE, VINYL, 11X13X160 .....	L15	165	13	WRENCH COMP., SPARK PLUG .....	2-D14	244	2
STRAINER, FUEL .....	2-E4	250	4	TUBE, VINYL, 9X11X180 .....	L8	158	15	WRENCH, PLUG .....	2-D14	244	1
SWITCH ASSY., COMBINATION ....	L9	159	14	TUBE, VINYL, 9X11X30 .....	M7	173	25		2-D16	246	25
	2-D1	231	11	TUBE, VINYL, 9X11X70 .....	J4	122	30	[ Y ]			
	2-D16	246	12					YOKE COMP. ....	N13	195	12
			19	[ V ]							
	2-E1	247	4	VALVE ASSY., SOLENOID .....	H13	99	16				
	2-E2	248	7		I9	111	16				
SWITCH ASSY., ENGINE STOP ....	H11	97	31		J3	121	14				
SWITCH ASSY., MAGNET .....	N9	191	5	VALVE COMP., IN. ....	2-D16	246	2				
SWITCH ASSY., OIL LEVEL .....	E13	51	12		2-E2	248	2				
	E15	53	9	VALVE COMP., OUTLET .....	2-D16	246	3				
SWITCH ASSY., STARTER MAGNETIC	N4	186	6		2-E2	248	3				
SWITCH, OIL PRESSURE .....	E15	53	10	VALVE SET, FLOAT .....	H12	98	4				
	F3	57	13		I3	105	4				
			27	VALVE, BREATHER .....	J3	121	4				
	F6	60	18		E12	50	4				
[ T ]					E15	53	4				
TANK COMP., FUEL .....	L6	156	8	VALVE, DASHPOT CHECK .....	H16	102	12				
	L8	158	3	VALVE, EX. ....	G1	71	14				
	L9	159	15		G6	76	9				
	L11	161	3	VALVE, IN. ....	G1	71	13				
					G6	76	8				



---

**1**

**FOREWORD INDEX**

---

**2**

**ENGINE GROUP**

---

**3**

**PART NUMBER INDEX**

---

**4**

**PART NAME INDEX**

---

**HONDA**  
The Power of Dreams





# PARTS CATALOGUE NEWS

Honda Motor Co., Ltd. Service Division

## PARTS CATALOGUE - CORRECTED

Printed in Japan

CODE NO.	BOOKLET TYPE	13ZJ10E7
	MICRO-FICHE	13ZJ10EG/FG
PARTS CATALOGUE TITLE	GX620 GX620K1 GX620 [PROPANE ENGINE] GX620K1 [PROPANE ENGINE]	
NEWS NO.	001	

Block No.	Ref. No.	Note	Part No.	Description	Reqd. QTY					Serial No.	Parts catalogue code	
					GX 620 (1)	GX 620 (2)	GX 620 K1 (1)	GX 620 (3)	GX 620 K1 (2)			
E-28-1	28	L	87135-ZE2-020	LABEL, E-SPEC (15.5X27.5) . . . .	-	-	1	-	-	-----	QAF5/A, QAF6/A, QAF7/A, QAF8/A, QAX1/A, QXE1/A, QXE5/A, QXF8/A, QZB/A, QZD/A, QZF1/A, QZF2/A, QZF8/A, QZX1/A, SAE1/A, VXE1/A, VYA3/A, VYE3/A, VZE7/A, VZE8/A	
					-	-	1	-	-	-----	2072386 QWA6, QWF6	
					-	-	1	-	-	2065727	-----	QAF5, QAF6, QAF7, QAF8, QAX1, QXE1, QXE5, QXF8, QZB, QZD, QZF1, QZF2, QZF8, QZX1, SAE1, VXE1, VYA3, VYE3, VZE7, VZE8
					-	-	1	-	-	2065727	2106217	QXE4, QXE7, QXE8, QXF, QXF4, QXW4, QZE3, QZE4, QZX4, QZX5, VXA5, VXA6, VXE4, VXF, VXF4, VXZ4

NOTE A:PART NO. CHANGE D:NEWLY PROVIDED E:PART NO. DELETION K:REQUIRED NO. CORRECTION L:APPLICATION SERIAL NO. CORRECTION  
 T:APPLICATION CORRECTION Z:REMARKS CHANGE



# PARTS CATALOGUE NEWS

Honda Motor Co., Ltd. Service Division

## PARTS CATALOGUE - CORRECTED

Printed in Japan

CODE NO.	BOOKLET TYPE	13ZJ10E7
	MICRO-FICHE	13ZJ10EG/FG
PARTS CATALOGUE TITLE	GX620 GX620K1 GX620 [PROPANE ENGINE] GX620K1 [PROPANE ENGINE]	
NEWS NO.	002	

Block No.	Ref. No.	Note	Part No.	Description	Reqd. QTY					Serial No.	Parts catalogue code
					GX 620 (1)	GX 620 (2)	GX 620 K1 (1)	GX 620 (3)	GX 620 K1 (2)		
E-6-1	1		11300-ZJ1-841	COVER ASSY., CRANKCASE .....	-	-	1	-	-	-----	QAD2, QAF9, QAX1, QDP2, QWA6, QWF6, QYD, QZF8, QZX1 QZX5, VAB2, VDC2, VEP4, VYE3
					-	-	1	-	-	----- 2161752	QAB/A, QAB6/A, QAD2/A, QAF/A, QAF1/A, QAF2/A, QAF5/A QAF6/A, QAF7/A, QAF8/A, QAF9/A, QAX1/A, QDF/A QDF6/A, QDP2/A, QDW/A, QWA6/A, QWF6/A, QXA/A, QXA3/A QXA6/A, QXB1/A, QXC2/A, QXE1/A, QXE4/A, QXE5/A QXE7/A, QXE8/A, QXF/A, QXF4/A, QXF6/A, QXF8/A QXW2/A, QXW4/A, QYA/A, QYD/A, QYF/A, QZB/A, QZB2/A QZB3/A, QZD/A, QZE3/A, QZE4/A, QZF1/A, QZF2/A QZF8/A, QZX1/A, QZX4/A, QZX5/A, TXF2/A, VAB2/A VAF/A, VAF6/A, VDB2/A, VDC2/A, VEP4/A, VXA1/A VXA4/A, VXA5/A, VXA6/A, VXD4/A, VXE1/A, VXE2/A VXE4/A, VXE8/A, VXF/A, VXF4/A, VXP2/A, VXZ4/A VYA3/A, VYE3/A
					-	-	1	-	-	2046507 -----	QAB, QAB6, QAF, QAF1, QAF2, QAF5, QAF6, QAF7, QAF8, QDF QDF6, QDW, QXA, QXA3, QXA6, QXB1, QXC2, QXE1, QXE4 QXE5, QXE7, QXE8, QXF, QXF4, QXF6, QXF8, QXW2, QXW4 QYA, QYF, QZB, QZB2, QZB3, QZD, QZE3, QZE4, QZF1, QZF2 QZX4, TXF2, VAF, VAF6, VDB2, VXA1, VXA4, VXA5, VXA6 VXD4, VXE1, VXE2, VXE4, VXE8, VXF, VXF4, VXP2, VXZ4 VYA3, VZA1
					-	-	-	-	1		

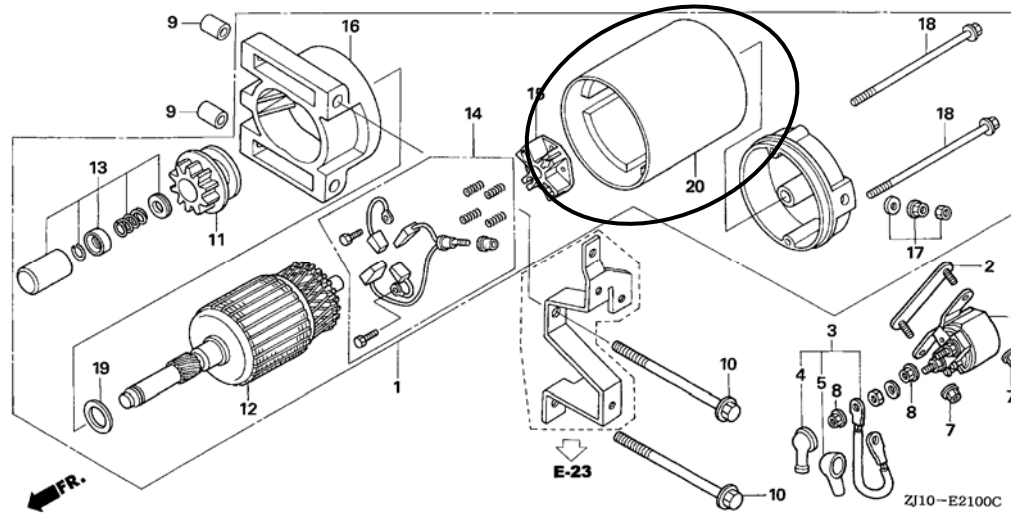
NOTE A:PART NO. CHANGE D:NEWLY PROVIDED E:PART NO. DELETION K:REQUIRED NO. CORRECTION L:APPLICATION SERIAL NO. CORRECTION T:APPLICATION CORRECTION Z:REMARKS CHANGE

PARTS CATALOGUE NEWS

BOOKNo. : 13ZJ10E7

Block No.	Ref. No.	Note	Part No.	Description	Reqd. QTY					Serial No.	Parts catalogue code
					GX 620 (1)	GX 620 (2)	GX 620 K1 (1)	GX 620 (3)	GX 620 K1 (2)		
			11300-ZJ1-851	.....	-	-	1	-	-	-----	SYA, VAB3
					-	-	1	-	-	-----	2163880 SAE1/A, SAF1/A, SYA/A, VAB3/A, VZE7/A, VZE8/A
					-	-	1	-	-	2046507	SAE1, SAF1, VZE7, VZE8
	A		11300-ZJ1-842	.....	-	-	1	-	-	2161753	QAB/A, QAB6/A, QAD2/A, QAF/A, QAF1/A, QAF2/A, QAF5/A, QAF6/A, QAF7/A, QAF8/A, QAF9/A, QAX1/A, QDF/A, QDF6/A, QDP2/A, QDW/A, QWA6/A, QWF6/A, QXA/A, QXA3/A, QXA6/A, QXB1/A, QXC2/A, QXE1/A, QXE4/A, QXE5/A, QXE7/A, QXE8/A, QXF/A, QXF4/A, QXF6/A, QXF8/A, QXW2/A, QXW4/A, QYA/A, QYD/A, QYF/A, QZB/A, QZB2/A, QZB3/A, QZD/A, QZE3/A, QZE4/A, QZF1/A, QZF2/A, QZF8/A, QZX1/A, QZX4/A, QZX5/A, TXF2/A, VAB2/A, VAF/A, VAF6/A, VDB2/A, VDC2/A, VEP4/A, VXA1/A, VXA4/A, VXA5/A, VXA6/A, VXD4/A, VXE1/A, VXE2/A, VXE4/A, VXE8/A, VXF/A, VXF4/A, VXP2/A, VXZ4/A, VYA3/A, VYE3/A
	A		11300-ZJ1-852	.....	-	-	1	-	-	2163881	SAE1/A, SAF1/A, SYA/A, VAB3/A, VZE7/A, VZE8/A

E-21 STARTER MOTOR (GX620)



NOTE A:PART NO. CHANGE D:NEWLY PROVIDED E:PART NO. DELETION K:REQUIRED NO. CORRECTION L:APPLICATION SERIAL NO. CORRECTION  
T:APPLICATION CORRECTION Z:REMARKS CHANGE

PARTS CATALOGUE NEWS

BOOKNo. : 13ZJ10E7

Block No.	Ref. No.	Note	Part No.	Description	Reqd. QTY					Serial No.	Parts catalogue code
					GX 620 (1)	GX 620 (2)	GX 620 K1 (1)	GX 620 (3)	GX 620 K1 (2)		
E-21	20	D	31216-ZJ1-004	YOKE COMP. ....	1	-	-	-	-	-----	QAB, QAB4, QAB6, QAC6, QAF, QAF1, QAF2, QAF3, QAF4 QAF5, QAF6, QAF7, QAF8, QAP2, QDA1, QDE1, QDF, QDF4 QDF6, QDW, QXA, QXA1, QXA3, QXA4, QXA6, QXB1, QXC4 QXE1, QXE3, QXF1, QXF3, QXF6, QYA, QYA4, QYF, QYF4 QYF6, SAE1, SAF1, TXF2, VAF, VAF4, VAF6, VXA1, VXA3 VXE1, VXE2, VXE4, VXE8, VYA1, VYA3, VZA1, VZA3, VZD VZE1, VZE5, VZE7, VZE8, VZF1
					-	1	-	1	-		

NOTE A:PART NO. CHANGE D:NEWLY PROVIDED E:PART NO. DELETION K:REQUIRED NO. CORRECTION L:APPLICATION SERIAL NO. CORRECTION  
T:APPLICATION CORRECTION Z:REMARKS CHANGE



# PARTS CATALOGUE NEWS

Honda Motor Co., Ltd. Service Division

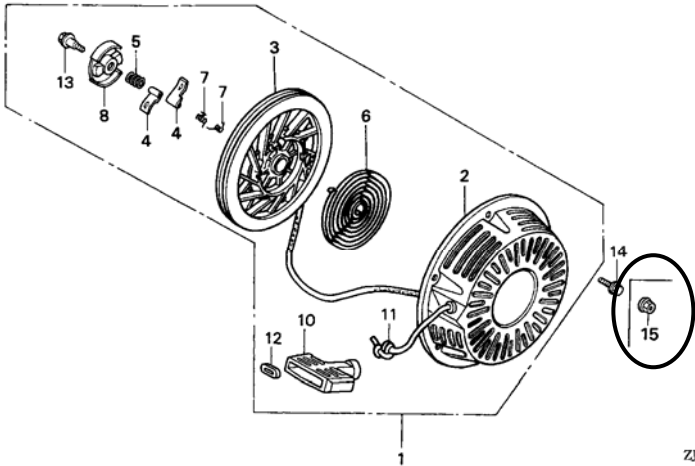
## PARTS CATALOGUE - CORRECTED

Printed in Japan

CODE NO.	BOOKLET TYPE	13ZJ10E7
	MICRO-FICHE	13ZJ10EG/FG
PARTS CATALOGUE TITLE	GX620 GX620K1 GX620 [PROPANE ENGINE] GX620K1 [PROPANE ENGINE]	
NEWS NO.	003	

Block No.	Ref. No.	Note	Part No.	Description	Reqd. QTY					Serial No.	Parts catalogue code
					GX 620	GX 620	GX 620 K1	GX 620	GX 620 K1		
					(1)	(2)	(1)	(3)	(2)		

E-11 RECOIL STARTER



ZJ10-E1100A **FR.** →

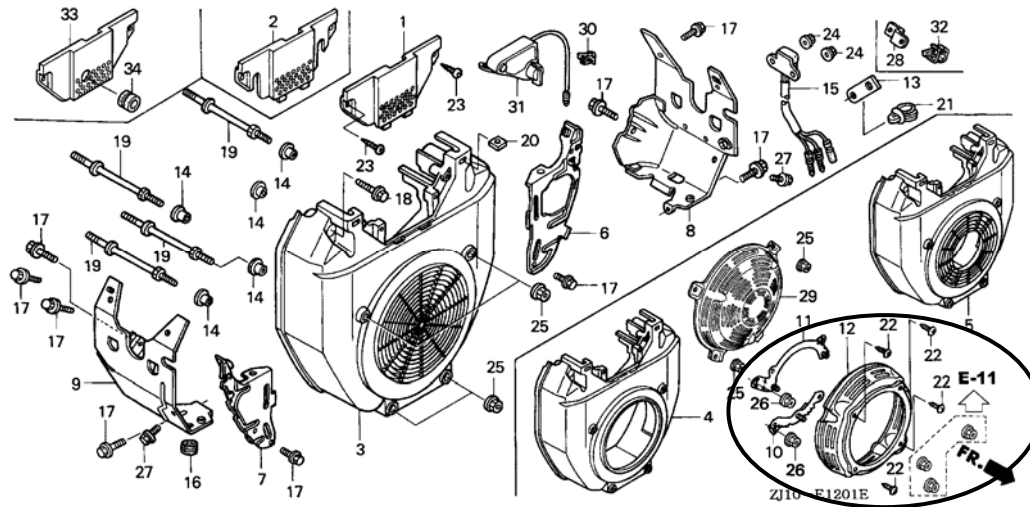
NOTE A:PART NO. CHANGE D:NEWLY PROVIDED E:PART NO.DELETION K:REQUIRED NO. CORRECTION L:APPLICATION SERIAL NO. CORRECTION  
 T:APPLICATION CORRECTION Z:REMARKS CHANGE

PARTS CATALOGUE NEWS

BOOKNo. : 13ZJ10E7

Block No.	Ref. No.	Note	Part No.	Description	Reqd. QTY					Serial No.	Parts catalogue code
					GX 620 (1)	GX 620 (2)	GX 620 K1 (1)	GX 620 (3)	GX 620 K1 (2)		
E-11	14	T	95701-06008-00	BOLT, FLANGE, 6X8 .....	3	-	-	-	-	-----	QYA, QYA4, QYF, QYF4, QYF6, QZX4, QZZ, VXE4, VXZ4, VYA1 VYA3, VZA1, VZA3, VZD, VZE1, VZE5, VZE7, VZE8, VZF1
						(3)	-	-	-		
	15	D	94050-06070	NUT, FLANGE, 6MM .....	-	-	3	-	-	-----	QAX1, QAX1/A, QXE8, QXE8/A, QXF8, QXF8/A, QYA, QYA/A QYF, QYF/A, QZB, QZB/A, QZB2, QZB2/A, QZB3, QZB3/A QZD, QZD/A, QZE3, QZE3/A, QZE4, QZE4/A, QZF1, QZF1/A QZF2, QZF2/A, QZF8, QZF8/A, QZX1, QZX1/A, QZX4 QZX4/A, QZX5, QZX5/A, VEP4, VEP4/A, VXA6, VXA6/A VXD4, VXD4/A, VXE4, VXE4/A, VXZ4, VXZ4/A, VYA1, VYA3 VYA3/A, VYE3, VYE3/A, VZA1

E-12-1 FAN COVER (GX620K1)



E-12-1	25	E	94050-06070	*PARTS NO. DELETION	-	-	-	-	-	-----	
	26	K	94050-06070	NUT, FLANGE, 6MM .....	-	-	4	-	-	-----	QAX1, QAX1/A, QXE8, QXE8/A, QXF8, QXF8/A, QYA, QYA/A QYF, QYF/A, QZB, QZB/A, QZB2, QZB2/A, QZB3, QZB3/A QZD, QZD/A, QZE3, QZE3/A, QZE4, QZE4/A, QZF1, QZF1/A QZF2, QZF2/A, QZF8, QZF8/A, QZX1, QZX1/A, QZX4 QZX4/A, QZX5, QZX5/A, VEP4, VEP4/A, VXA6, VXA6/A VXD4, VXD4/A, VXE4, VXE4/A, VXZ4, VXZ4/A, VYA1, VYA3 VYA3/A, VYE3, VYE3/A, VZA1

NOTE A:PART NO. CHANGE D:NEWLY PROVIDED E:PART NO.DELETION K:REQUIRED NO. CORRECTION L:APPLICATION SERIAL NO. CORRECTION  
T:APPLICATION CORRECTION Z:REMARKS CHANGE



# PARTS CATALOGUE NEWS

Honda Motor Co., Ltd. Service Division

## PARTS CATALOGUE - CORRECTED

Printed in Japan

CODE NO.	BOOKLET TYPE	13ZJ10E7
	MICRO- FICHE	13ZJ10EG/FG
PARTS CATALOGUE TITLE	GX620 GX620K1 GX620 [PROPANE ENGINE] GX620K1 [PROPANE ENGINE]	
NEWS NO.	004	

Block No.	Ref. No.	Note	Part No.	Description	Reqd. QTY					Serial No.	Parts catalogue code	
					GX 620 (1)	GX 620 (2)	GX 620 K1 (1)	GX 620 (3)	GX 620 K1 (2)			
E-3-1	10		37240-ZG3-E01	SWITCH, OIL PRESSURE .....	-	-	1	-	1	-----	QAD2, QAF, QAF1, QAF2, QAF5, QAF6, QAF7, QAF8, QAF9 QDP2, QYD, QYF, SAE1, SAF1, SYA, VAB2, VAF, VAF6, VXC VXC/A, VYE3, VYE3/A	
					-	-	1	-	-	-----	2161296 QAD2/A, QAF/A, QAF1/A, QAF2/A, QAF5/A, QAF6/A QAF7/A, QAF8/A, QAF9/A, QDP2/A, QYD/A, QYF/A, SAE1/A SAF1/A, SYA/A, VAB2/A, VAB3/A, VAF/A, VAF6/A	
		A	37240-ZG5-004	.....	-	-	1	-	-	2161297	-----	QAD2/A, QAF/A, QAF1/A, QAF2/A, QAF5/A, QAF6/A QAF7/A, QAF8/A, QAF9/A, QDP2/A, QYD/A, QYF/A, SAE1/A SAF1/A, SYA/A, VAB2/A, VAB3/A, VAF/A, VAF6/A
E-14-4	23	L	90682-959-661	CLIP B, CABLE .....	-	-	1	-	-	-----	2090366 SYA	

NOTE A:PART NO. CHANGE D:NEWLY PROVIDED E:PART NO. DELETION K:REQUIRED NO. CORRECTION L:APPLICATION SERIAL NO. CORRECTION  
T:APPLICATION CORRECTION Z:REMARKS CHANGE



# PARTS CATALOGUE NEWS

Honda Motor Co., Ltd. Service Division

Printed in Japan

CODE NO.	BOOKLET TYPE	13ZJ10E7
	MICRO- FICHE	13ZJ10EG/FG
PARTS CATALOGUE TITLE	GX620 GX620K1 GX620 [PROPANE ENGINE] GX620K1 [PROPANE ENGINE]	
NEWS NO.	005	

## GX620K1-QKW TYPE sales parts information

NOTE: This Parts Catalogue News explains only the parts of the different model that are produced to conform to addition of the GX620K1-QKW type.

As for the parts not listed on this Parts Catalogue News, use the parts of the GX620K1-QXE5 type.

Model	Type		Parts catalogue type	Applicable engine serial No.	Applicable carburetor identification No.
GX620K1	QXE5	Base model	QXE5	GCAD-2000001~2159999	BG22G A
	QKW	Additional model	QKW	GCAD-2160001~	



## PARTS CATALOGUE NEWS

BOOKNo. : 13ZJ10E7

Block No.	Ref. No.	Part No.	Description	Reqd. QTY					Base Part No.	Parts catalogue code
				GX 620 (1)	GX 620 (2)	GX 620 K1 (1)	GX 620 (3)	GX 620 K1 (2)		
E-3-1	1	12000-ZJ1-405	BARREL ASSY., CYLINDER .....	-	-	1	-	-	12000-ZJ1-406	
	7		COLLAR, FILTER SETTING .....	-	-	0	-	-	25523-VD6-010	
	9		SWITCH ASSY., OIL LEVEL .....	-	-	0	-	-	35480-ZJ1-841	
	10	37240-ZG5-004	SWITCH, OIL PRESSURE .....	-	-	1	-	-		
	11	90002-ZG5-004	SCREW-WASHER, 4X8 .....	-	-	1	-	-		
	19		O-RING, 14MM (NOK) .....	-	-	0	-	-	91353-671-004	
	21		NUT, FLANGE, 10MM .....	-	-	0	-	-	94050-10000	
	25		BOLT, FLANGE, 6X75 .....	-	-	0	-	-	95701-06075-09	
E-6-1	1	11300-ZJ1-842	COVER ASSY., CRANKCASE .....	-	-	1	-	-	11300-ZJ1-841	
	3		BOLT, SEALING .....	-	-	0	-	-	12105-ZA0-701	
E-7	5	90745-ZE2-600	KEY, 6.3X6.3X43 .....	-	-	1	-	-		
	6	90003-ZE3-600	BOLT, HEX., 3/8-24UNF (25MM) ..	-	-	1	-	-		
	7	90471-ZE3-000	WASHER, 10.5X40X4 .....	-	-	1	-	-		
E-8-1	7	90551-ZE1-000	CLIP, PISTON PIN, 18MM .....	-	-	4	-	-	94601-18000	
E-12-1	3		COVER, FAN *NH1*..... BLACK	-	-	0	-	-	19611-ZJ1-840ZA	
	8	19631-ZJ1-840	SHROUD .....	-	-	1	-	-	19631-ZJ1-850	
	15		ALERT UNIT, OIL .....	-	-	0	-	-	34150-ZJ1-842	
	24		NUT, FLANGE, 5MM .....	-	-	0	-	-	94050-05000	
E-14-2	28	99101-ZJ4-1050	JET, MAIN, #105 .....	-	-	1	-	-		

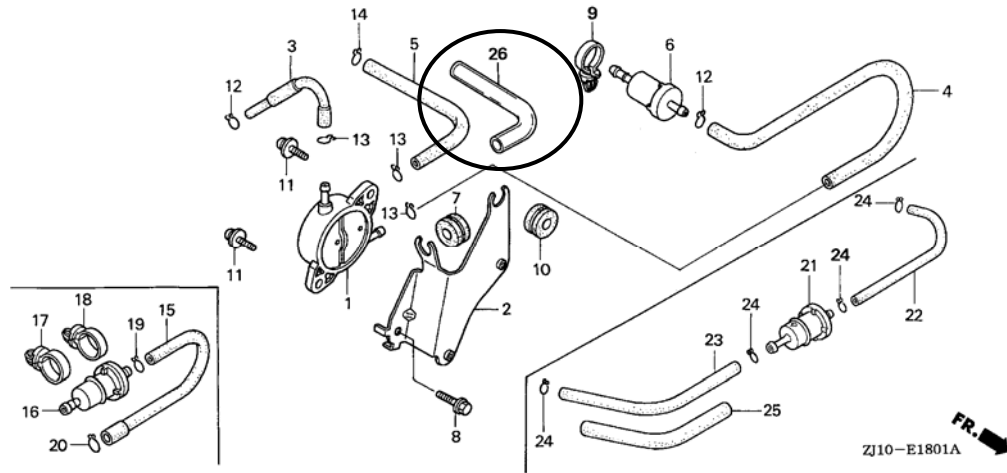
NOTE A:PART NO. CHANGE D:NEWLY PROVIDED E:PART NO.DELETION K:REQUIRED NO. CORRECTION L:APPLICATION SERIAL NO. CORRECTION  
T:APPLICATION CORRECTION Z:REMARKS CHANGE

PARTS CATALOGUE NEWS

BOOKNo. : 13ZJ10E7

Block No.	Ref. No.	Part No.	Description	Reqd. QTY					Base Part No.	Parts catalogue code
				GX 620	GX 620	GX 620 K1	GX 620	GX 620 K1		

E-18-1 FUEL PUMP (GX620K1)



E-18-1	26	95003-25015-20	TUBE, VINYL, 9X11X150 (95003-25001-10M)	-	-	1	-	-	
E-22-3	2	16500-ZJ1-851	CONTROL ASSY. ....	-	-	1	-	-	16500-ZJ1-850
	8	16570-ZJ1-851	ARM COMP., CONTROL .....	-	-	1	-	-	16570-ZJ1-850
E-23	27	32171-GJ1-003	CLIP, WIRE HARNESS .....	-	-	1	-	-	
	29	32823-ZV5-003	PLUG, INNER CONNECTOR .....	-	-	1	-	-	

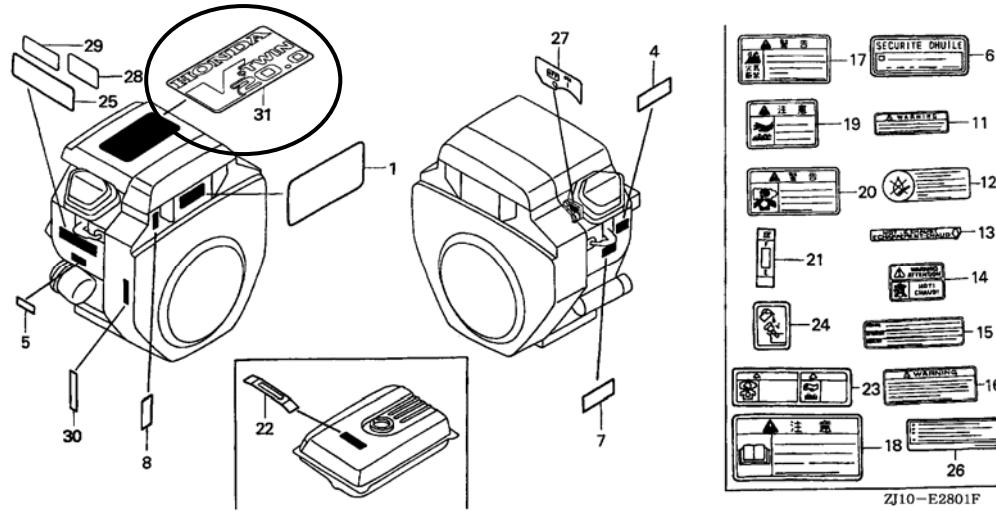
NOTE A:PART NO. CHANGE D:NEWLY PROVIDED E:PART NO.DELETION K:REQUIRED NO. CORRECTION L:APPLICATION SERIAL NO. CORRECTION  
T:APPLICATION CORRECTION Z:REMARKS CHANGE

PARTS CATALOGUE NEWS

BOOKNo. : 13ZJ10E7

Block No.	Ref. No.	Part No.	Description	Reqd. QTY					Base Part No.	Parts catalogue code
				GX 620 (1)	GX 620 (2)	GX 620 K1 (1)	GX 620 (3)	GX 620 K1 (2)		

E-28-1 LABEL (GX620K1)



E-28-1	7		MARK, OIL ALERT (EXTERNAL) ...	-	-	0	-	-	87532-ZH8-810	
	31	87101-ZJ1-P30	MARK, EMBLEM .....	-	-	1	-	-		

NOTE A:PART NO. CHANGE D:NEWLY PROVIDED E:PART NO.DELETION K:REQUIRED NO. CORRECTION L:APPLICATION SERIAL NO. CORRECTION  
T:APPLICATION CORRECTION Z:REMARKS CHANGE



# PARTS CATALOGUE NEWS

Honda Motor Co., Ltd. Service Division

## PARTS CATALOGUE - CORRECTED

Printed in Japan

CODE NO.	BOOKLET TYPE	13ZJ10E7
	MICRO- FICHE	13ZJ10EG/FG
PARTS CATALOGUE TITLE	GX620 GX620K1 GX620 [PROPANE ENGINE] GX620K1 [PROPANE ENGINE]	
NEWS NO.	006	

Block No.	Ref. No.	Note	Part No.	Description	Reqd. QTY					Serial No.	Parts catalogue code
					GX 620 (1)	GX 620 (2)	GX 620 K1 (1)	GX 620 (3)	GX 620 K1 (2)		
E-12-1	3	T	19611-ZJ1-840ZC	COVER, FAN *R280*..... POWER RED	-	-	1	-	-	-----	QAB/A, QAB6/A, QAF1/A, QAF2/A, QAF5/A, QAF6/A, QAF9 QAF9/A, QDF/A, QDF6/A, QDP2, QDP2/A, QDW/A, QKW, QWA6 QWA6/A, QWF6, QWF6/A, QXA/A, QXA3/A, QXA6/A, QXB1/A QXC2/A, QXE1/A, QXE4/A, QXE5/A, QXE7/A, QXF/A QXF4/A, QXF6/A, QXW2/A, QXW4/A, QYD, QYD/A, SAE1/A SAF1/A, TXF2/A, VAF/A, VAF6/A, VDB2/A, VDC2/A VXA1/A, VXA4/A, VXA5/A, VXE1/A, VXE2/A, VXE8/A VXF/A, VXF4/A, VXP2/A, VZE8/A
					-	-	1	-	-	2060130	QAB, QAB6, QAF1, QAF2, QAF5, QAF6, QDF, QDF6, QDW, QXA QXA3, QXA6, QXB1, QXC2, QXE1, QXE4, QXE5, QXE7, QXF QXF4, QXF6, QXW2, QXW4, SAE1, SAF1, TXF2, VAF, VAF6 VDB2, VDC2, VXA1, VXA4, VXA5, VXE1, VXE2, VXE8, VXF VXF4, VXP2

NOTE A:PART NO. CHANGE D:NEWLY PROVIDED E:PART NO.DELETION K:REQUIRED NO. CORRECTION L:APPLICATION SERIAL NO. CORRECTION  
 T:APPLICATION CORRECTION Z:REMARKS CHANGE



# PARTS CATALOGUE NEWS

Honda Motor Co., Ltd. Service Division

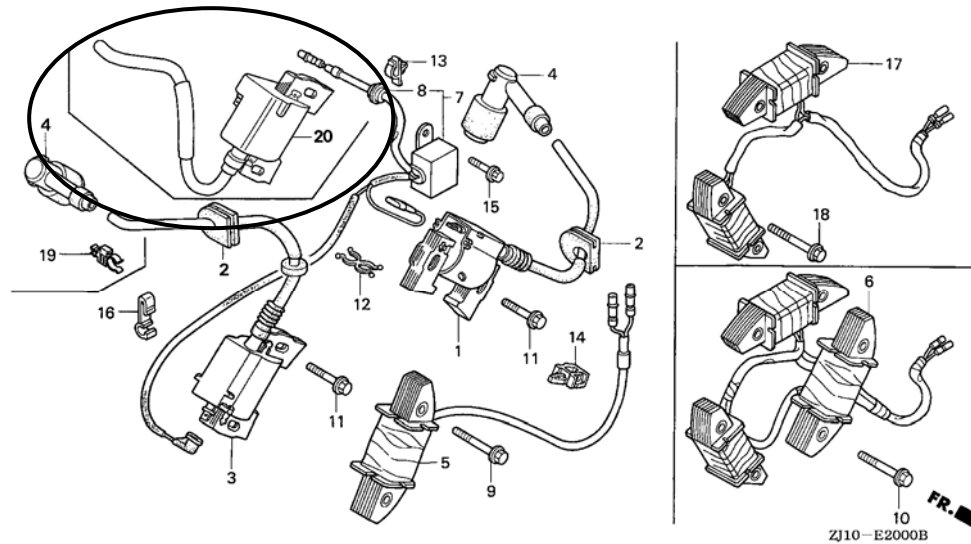
## PARTS CATALOGUE - CORRECTED

Printed in Japan

CODE NO.	BOOKLET TYPE	13ZJ10E7
	MICRO-FICHE	13ZJ10EG/FG
PARTS CATALOGUE TITLE	GX620 GX620K1 GX620 [PROPANE ENGINE] GX620K1 [PROPANE ENGINE]	
NEWS NO.	007	

Block No.	Ref. No.	Note	Part No.	Description	Reqd. QTY					Serial No.	Parts catalogue code
					GX 620 (1)	GX 620 (2)	GX 620 K1 (1)	GX 620 (3)	GX 620 K1 (2)		

E-20 IGNITION COIL



E-20 3 E 30550-ZJ1-841 \*PARTS NO. DELETION

NOTE A:PART NO. CHANGE D:NEWLY PROVIDED E:PART NO. DELETION K:REQUIRED NO. CORRECTION L:APPLICATION SERIAL NO. CORRECTION  
T:APPLICATION CORRECTION Z:REMARKS CHANGE

PARTS CATALOGUE NEWS

BOOKNo. : 13ZJ10E7

Block No.	Ref. No.	Note	Part No.	Description	Reqd. QTY					Serial No.	Parts catalogue code
					GX 620 (1)	GX 620 (2)	GX 620 K1 (1)	GX 620 (3)	GX 620 K1 (2)		
		E	30550-ZJ1-842	*PARTS NO. DELETION							
		E	30550-ZJ1-843	*PARTS NO. DELETION							
		E	30550-ZJ1-844	*PARTS NO. DELETION							
	20	D	30550-ZJ1-841	COIL ASSY., IGNITION .....	-	-	1	-	-	----- 2051332	QAB, QAB6, QAF, QAF1, QAF2, QAF5, QAF6, QAF7, QAF8, QDF QDF6, QDW, QXA, QXA3, QXA6, QXB1, QXC2, QXE1, QXE4 QXE5, QXE7, QXE8, QXF, QXF3, QXF4, QXF6, QXF8, QXW2 QXW4, QYA, QYF, QZB, QZB2, QZB3, QZD, QZE3, QZE4, QZF1 QZF2, QZX4, SAE1, SAF1, TXF2, VAF, VAF6, VDB2, VXA1 VXA4, VXA5, VXA6, VXD4, VXE1, VXE2, VXE4, VXE8, VXF VXF4, VXP2, VXZ4, VYA1, VYA3, VZA1, VZE7, VZE8
		D	30550-ZJ1-842	.....	-	-	1	-	-	----- 2133228	QAD2, QAF9, QAX1, QDP2, QWA6, QWF6, QZF8, QZX1, QZX5 SYA, VAB2, VAB3, VDC2, VEP4, VYE3
					-	-	1	-	-	2051333 2133228	QAB, QAB6, QAF, QAF1, QAF2, QAF5, QAF6, QAF7, QAF8, QDF QDF6, QDW, QXA, QXA3, QXA6, QXB1, QXC2, QXE1, QXE4 QXE5, QXE7, QXE8, QXF, QXF3, QXF4, QXF6, QXF8, QXW2 QXW4, QYA, QYF, QZB, QZB2, QZB3, QZD, QZE3, QZE4, QZF1 QZF2, QZX4, SAE1, SAF1, TXF2, VAF, VAF6, VDB2, VXA1 VXA4, VXA5, VXA6, VXD4, VXE1, VXE2, VXE4, VXE8, VXF VXF4, VXP2, VXZ4, VYA1, VYA3, VZA1, VZE7, VZE8
					-	-	-	-	1	----- 1001520	VXC, VXC2
		D	30550-ZJ1-843	.....	-	-	1	-	-	----- 2142840	QYD
					-	-	1	-	-	2133229 -----	QXF3, VYA1, VZA1
					-	-	1	-	-	2133229 2142840	QAB, QAB6, QAD2, QAF, QAF1, QAF2, QAF5, QAF6, QAF7 QAF8, QAF9, QAX1, QDF, QDF6, QDP2, QDW, QWA6, QWF6, QXA QXA3, QXA6, QXB1, QXC2, QXE1, QXE4, QXE5, QXE7, QXE8 QXF, QXF4, QXF6, QXF8, QXW2, QXW4, QYA, QYF, QZB, QZB2 QZB3, QZD, QZE3, QZE4, QZF1, QZF2, QZF8, QZX1, QZX4 QZX5, SAE1, SAF1, SYA, TXF2, VAB2, VAB3, VAF, VAF6 VDB2, VDC2, VEP4, VXA1, VXA4, VXA5, VXA6, VXD4, VXE1 VXE2, VXE4, VXE8, VXF, VXF4, VXP2, VXZ4, VYA3, VYE3 VZE7, VZE8
					-	-	-	-	1	----- -----	VXC1
					-	-	-	-	1	1001521 -----	VXC, VXC2

NOTE A:PART NO. CHANGE D:NEWLY PROVIDED E:PART NO.DELETION K:REQUIRED NO. CORRECTION L:APPLICATION SERIAL NO. CORRECTION  
T:APPLICATION CORRECTION Z:REMARKS CHANGE

PARTS CATALOGUE NEWS

BOOKNo. : 13ZJ10E7

Block No.	Ref. No.	Note	Part No.	Description	Reqd. QTY					Serial No.	Parts catalogue code	
					GX 620	GX 620	GX 620 K1	GX 620	GX 620 K1			
					(1)	(2)	(1)	(3)	(2)			
		D	30550-ZJ1-844	.....	-	-	1	-	1	-----	QAB/A, QAB6/A, QAD2/A, QAF/A, QAF1/A, QAF2/A, QAF5/A, QAF6/A, QAF7/A, QAF8/A, QAF9/A, QAX1/A, QDF/A, QDF6/A, QDP2/A, QDW/A, QKW, QWA6/A, QWF6/A, QXA/A, QXA3/A, QXA6/A, QXB1/A, QXC2/A, QXE1/A, QXE4/A, QXE5/A, QXE7/A, QXE8/A, QXF/A, QXF4/A, QXF6/A, QXF8/A, QXW2/A, QXW4/A, QYA/A, QYD/A, QYF/A, QZB/A, QZB2/A, QZB3/A, QZD/A, QZE3/A, QZE4/A, QZF1/A, QZF2/A, QZF8/A, QZX1/A, QZX4/A, QZX5/A, SAE1/A, SAF1/A, SYA/A, TXF2/A, VAB2/A, VAB3/A, VAF/A, VAF6/A, VDB2/A, VDC2/A, VEP4/A, VXA1/A, VXA4/A, VXA5/A, VXA6/A, VXC/A, VXC1/A, VXC2/A, VXD4/A, VXE1/A, VXE2/A, VXE4/A, VXE8/A, VXF/A, VXF4/A, VXP2/A, VXZ4/A, VYA3/A, VYE3/A, VZE7/A, VZE8/A	
					-	-	1	-	-	2142841	-----	QAB, QAB6, QAD2, QAF, QAF1, QAF2, QAF5, QAF6, QAF7, QAF8, QAF9, QAX1, QDF, QDF6, QDP2, QDW, QWA6, QWF6, QXA, QXA3, QXA6, QXB1, QXC2, QXE1, QXE4, QXE5, QXE7, QXE8, QXF, QXF4, QXF6, QXF8, QXW2, QXW4, QYA, QYD, QYF, QZB, QZB2, QZB3, QZD, QZE3, QZE4, QZF1, QZF2, QZF8, QZX1, QZX4, QZX5, SAE1, SAF1, SYA, TXF2, VAB2, VAB3, VAF, VAF6, VDB2, VDC2, VEP4, VXA1, VXA4, VXA5, VXA6, VXD4, VXE1, VXE2, VXE4, VXE8, VXF, VXF4, VXP2, VXZ4, VYA3, VYE3, VZE7, VZE8

NOTE A:PART NO. CHANGE D:NEWLY PROVIDED E:PART NO.DELETION K:REQUIRED NO. CORRECTION L:APPLICATION SERIAL NO. CORRECTION  
T:APPLICATION CORRECTION Z:REMARKS CHANGE



# PARTS CATALOGUE NEWS

Honda Motor Co., Ltd. Service Division

## PARTS CATALOGUE - CORRECTED

Printed in Japan

CODE NO.	BOOKLET TYPE	13ZJ10E7
	MICRO-FICHE	13ZJ10EG/FG
PARTS CATALOGUE TITLE	GX620 GX620K1 GX620 [PROPANE ENGINE] GX620K1 [PROPANE ENGINE]	
NEWS NO.	008	

Block No.	Ref. No.	Note	Part No.	Description	Reqd. QTY					Serial No.	Parts catalogue code
					GX 620 (1)	GX 620 (2)	GX 620 K1 (1)	GX 620 (3)	GX 620 K1 (2)		
E-6-1	1	T	11300-ZJ1-841	COVER ASSY., CRANKCASE .....	-	-	1	-	1	-----	QAD2, QAF9, QAX1, QDP2, QWA6, QWF6, QYD, QZF8, QZX1 QZX5, VAB2, VDC2, VEP4, VXC, VXC1, VXC2, VYE3
					-	-	1	-	-	-----	2161752 QAB/A, QAB6/A, QAD2/A, QAF/A, QAF1/A, QAF2/A, QAF5/A QAF6/A, QAF7/A, QAF8/A, QAF9/A, QAX1/A, QDF/A QDF6/A, QDP2/A, QDW/A, QWA6/A, QWF6/A, QXA/A, QXA3/A QXA6/A, QXB1/A, QXC2/A, QXE1/A, QXE4/A, QXE5/A QXE7/A, QXE8/A, QXF/A, QXF4/A, QXF6/A, QXF8/A QXW2/A, QXW4/A, QYA/A, QYD/A, QYF/A, QZB/A, QZB2/A QZB3/A, QZD/A, QZE3/A, QZE4/A, QZF1/A, QZF2/A QZF8/A, QZX1/A, QZX4/A, QZX5/A, TXF2/A, VAB2/A VAF/A, VAF6/A, VDB2/A, VDC2/A, VEP4/A, VXA1/A VXA4/A, VXA5/A, VXA6/A, VXD4/A, VXE1/A, VXE2/A VXE4/A, VXE8/A, VXF/A, VXF4/A, VXP2/A, VXZ4/A VYA3/A, VYE3/A
					-	-	1	-	-	-----	2046507 QAB, QAB6, QAF, QAF1, QAF2, QAF5, QAF6, QAF7, QAF8, QDF QDF6, QDW, QXA, QXA3, QXA6, QXB1, QXC2, QXE1, QXE4 QXE5, QXE7, QXE8, QXF, QXF4, QXF6, QXF8, QXW2, QXW4 QYA, QYF, QZB, QZB2, QZB3, QZD, QZE3, QZE4, QZF1, QZF2 QZX4, TXF2, VAF, VAF6, VDB2, VXA1, VXA4, VXA5, VXA6 VXD4, VXE1, VXE2, VXE4, VXE8, VXF, VXF4, VXP2, VXZ4 VYA3, VZA1
		T	11300-ZJ1-842	.....	-	-	1	-	1	-----	QKW, VXC/A, VXC1/A, VXC2/A

NOTE A:PART NO. CHANGE D:NEWLY PROVIDED E:PART NO. DELETION K:REQUIRED NO. CORRECTION L:APPLICATION SERIAL NO. CORRECTION  
 T:APPLICATION CORRECTION Z:REMARKS CHANGE



PARTS CATALOGUE NEWS

BOOKNo. : 13ZJ10E7

Block No.	Ref. No.	Note	Part No.	Description	Reqd. QTY					Serial No.	Parts catalogue code
					GX 620	GX 620	GX 620 K1	GX 620	GX 620 K1		
					(1)	(2)	(1)	(3)	(2)		
					-	-	1	-	-	2161753 -----	QAB/A, QAB6/A, QAD2/A, QAF/A, QAF1/A, QAF2/A, QAF5/A QAF6/A, QAF7/A, QAF8/A, QAF9/A, QAX1/A, QDF/A QDF6/A, QDP2/A, QDW/A, QWA6/A, QWF6/A, QXA/A, QXA3/A QXA6/A, QXB1/A, QXC2/A, QXE1/A, QXE4/A, QXE5/A QXE7/A, QXE8/A, QXF/A, QXF4/A, QXF6/A, QXF8/A QXW2/A, QXW4/A, QYA/A, QYD/A, QYF/A, QZB/A, QZB2/A QZB3/A, QZD/A, QZE3/A, QZE4/A, QZF1/A, QZF2/A QZF8/A, QZX1/A, QZX4/A, QZX5/A, TXF2/A, VAB2/A VAF/A, VAF6/A, VDB2/A, VDC2/A, VEP4/A, VXA1/A VXA4/A, VXA5/A, VXA6/A, VXD4/A, VXE1/A, VXE2/A VXE4/A, VXE8/A, VXF/A, VXF4/A, VXP2/A, VXZ4/A VYA3/A, VYE3/A

NOTE A:PART NO. CHANGE D:NEWLY PROVIDED E:PART NO. DELETION K:REQUIRED NO. CORRECTION L:APPLICATION SERIAL NO. CORRECTION  
T:APPLICATION CORRECTION Z:REMARKS CHANGE



# PARTS CATALOGUE NEWS

Honda Motor Co., Ltd. Service Division

## PARTS CATALOGUE - CORRECTED

Printed in Japan

CODE NO.	BOOKLET TYPE	13ZJ10E7
	MICRO- FICHE	13ZJ10EG/FG
PARTS CATALOGUE TITLE	GX620 GX620K1 GX620 [PROPANE ENGINE] GX620K1 [PROPANE ENGINE]	
NEWS NO.	009	

Block No.	Ref. No.	Note	Part No.	Description	Reqd. QTY					Serial No.	Parts catalogue code
					GX 620 (1)	GX 620 (2)	GX 620 K1 (1)	GX 620 (3)	GX 620 K1 (2)		
E-3-1	10	L	37240-ZG3-E01	SWITCH, OIL PRESSURE .....	-	-	1	-	1	-----	QAD2, QAF, QAF1, QAF2, QAF5, QAF6, QAF7, QAF8, QAF9 QDP2, QYD, QYF, SAE1, SAF1, SYA, VAB2, VAF, VAF6, VXC VYE3, VYE3/A
					-	-	1	-	-	----- 2161296	QAD2/A, QAF/A, QAF1/A, QAF2/A, QAF5/A, QAF6/A QAF7/A, QAF8/A, QAF9/A, QDP2/A, QYD/A, QYF/A, SAE1/A SAF1/A, SYA/A, VAB2/A, VAB3/A, VAF/A, VAF6/A
					-	-	-	-	1	----- 1010128	VXC/A
		T	37240-ZG5-004	.....	-	-	1	-	-	-----	QKW
					-	-	1	-	-	2161297 -----	QAD2/A, QAF/A, QAF1/A, QAF2/A, QAF5/A, QAF6/A QAF7/A, QAF8/A, QAF9/A, QDP2/A, QYD/A, QYF/A, SAE1/A SAF1/A, SYA/A, VAB2/A, VAB3/A, VAF/A, VAF6/A
					-	-	-	-	1	1010129 -----	VXC/A
E-18-1	14		95002-50000	CLIP, TUBE (C9) .....	-	-	1	-	-	-----	QAB, QAB6, QAF, QAF1, QAF2, QAF5, QAF6, QAF7, QAF8 QAF9, QAX1, QDF, QDF6, QDP2, QDW, QWA6, QWF6, QXA, QXA3 QXA6, QXC2, QXE1, QXE4, QXE5, QXF, QXF3, QXF4, QXF6 QYA, QYF, QZB, QZB2, QZB3, QZD, QZE3, QZE4, QZF1, QZF2 QZF8, QZX1, QZX4, QZX5, SAE1, SAF1, TXF2, VAB2, VAB3 VAF, VAF6, VDB2, VDC2, VEP4, VXA1, VXA4, VXA5, VXA6 VXD4, VXE1, VXE2, VXE4, VXE8, VXF, VXF4, VXP2, VXZ4 VYA1, VYA3, VYE3, VZA1, VZE7, VZE8

NOTE A:PART NO. CHANGE D:NEWLY PROVIDED E:PART NO. DELETION K:REQUIRED NO. CORRECTION L:APPLICATION SERIAL NO. CORRECTION  
T:APPLICATION CORRECTION Z:REMARKS CHANGE

PARTS CATALOGUE NEWS

BOOKNo. : 13ZJ10E7

Block No.	Ref. No.	Note	Part No.	Description	Reqd. QTY					Serial No.	Parts catalogue code
					GX 620	GX 620	GX 620 K1	GX 620	GX 620 K1		
					(1)	(2)	(1)	(3)	(2)		
					-	-	1	-	-	----- 2167022	QAB/A, QAB6/A, QAF/A, QAF1/A, QAF2/A, QAF5/A, QAF6/A QAF7/A, QAF8/A, QAF9/A, QAX1/A, QDF/A, QDF6/A QDP2/A, QDW/A, QKW, QWA6/A, QWF6/A, QXA/A, QXA3/A QXA6/A, QXC2/A, QXE1/A, QXE4/A, QXE5/A, QXF/A QXF4/A, QXF6/A, QYA/A, QYF/A, QZB/A, QZB2/A, QZB3/A QZD/A, QZE3/A, QZE4/A, QZF1/A, QZF2/A, QZF8/A QZX1/A, QZX4/A, QZX5/A, SAE1/A, SAF1/A, TXF2/A VAB2/A, VAB3/A, VAF/A, VAF6/A, VDB2/A, VDC2/A VEP4/A, VXA1/A, VXA4/A, VXA5/A, VXA6/A, VXD4/A VXE1/A, VXE2/A, VXE4/A, VXE8/A, VXF/A, VXF4/A VXP2/A, VXZ4/A, VYA3/A, VYE3/A, VZE7/A, VZE8/A
	A		95002-02080	CLIP, TUBE (B8) .....	-	-	1	-	-	2167023 -----	QAB/A, QAB6/A, QAF/A, QAF1/A, QAF2/A, QAF5/A, QAF6/A QAF7/A, QAF8/A, QAF9/A, QAX1/A, QDF/A, QDF6/A QDP2/A, QDW/A, QKW, QWA6/A, QWF6/A, QXA/A, QXA3/A QXA6/A, QXC2/A, QXE1/A, QXE4/A, QXE5/A, QXF/A QXF4/A, QXF6/A, QYA/A, QYF/A, QZB/A, QZB2/A, QZB3/A QZD/A, QZE3/A, QZE4/A, QZF1/A, QZF2/A, QZF8/A QZX1/A, QZX4/A, QZX5/A, SAE1/A, SAF1/A, TXF2/A VAB2/A, VAB3/A, VAF/A, VAF6/A, VDB2/A, VDC2/A VEP4/A, VXA1/A, VXA4/A, VXA5/A, VXA6/A, VXD4/A VXE1/A, VXE2/A, VXE4/A, VXE8/A, VXF/A, VXF4/A VXP2/A, VXZ4/A, VYA3/A, VYE3/A, VZE7/A, VZE8/A

NOTE A:PART NO. CHANGE D:NEWLY PROVIDED E:PART NO. DELETION K:REQUIRED NO. CORRECTION L:APPLICATION SERIAL NO. CORRECTION  
T:APPLICATION CORRECTION Z:REMARKS CHANGE



# PARTS CATALOGUE NEWS

Honda Motor Co., Ltd. Service Division

## PARTS CATALOGUE - CORRECTED

Printed in Japan

CODE NO.	BOOKLET TYPE	13ZJ10E7
	MICRO-FICHE	13ZJ10EG/FG
PARTS CATALOGUE TITLE	GX620 GX620K1 GX620 [PROPANE ENGINE] GX620K1 [PROPANE ENGINE]	
NEWS NO.	010	

Block No.	Ref. No.	Note	Part No.	Description	Reqd. QTY					Serial No.	Parts catalogue code
					GX 620 (1)	GX 620 (2)	GX 620 K1 (1)	GX 620 (3)	GX 620 K1 (2)		
E-3	7	E	15400-PR3-004	*PARTS NO. DELETION							
		T	15400-ZJ1-004	CARTRIDGE, OIL FILTER (TOYO ROKI)	1	-	-	1	-	-----	-----
E-6	25	E	15400-PR3-004	*PARTS NO. DELETION							
		T	15400-ZJ1-004	CARTRIDGE, OIL FILTER (TOYO ROKI)	1	-	-	1	-	-----	-----
					-	(1)	-	-	-		

NOTE A:PART NO. CHANGE D:NEWLY PROVIDED E:PART NO.DELETION K:REQUIRED NO. CORRECTION L:APPLICATION SERIAL NO. CORRECTION T:APPLICATION CORRECTION Z:REMARKS CHANGE



# PARTS CATALOGUE NEWS

Honda Motor Co., Ltd. Service Division

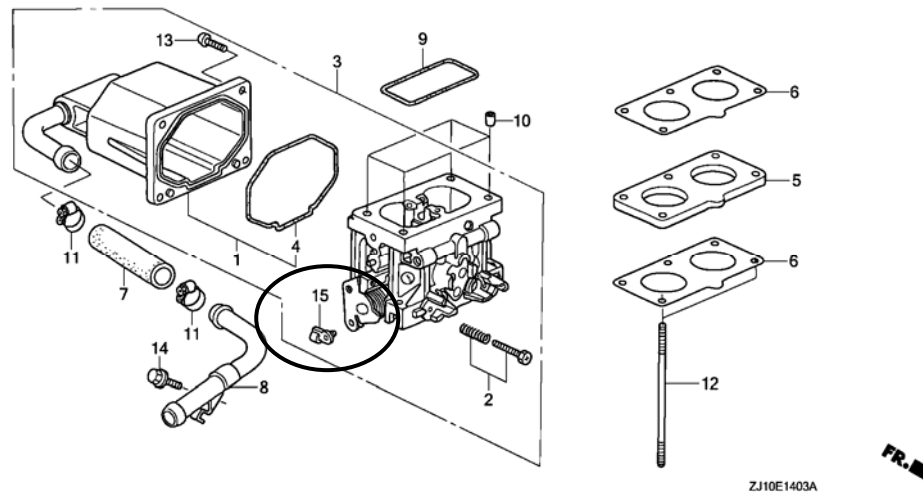
## PARTS CATALOGUE - CORRECTED

Printed in Japan

CODE NO.	BOOKLET TYPE	13ZJ10E7
	MICRO-FICHE	13ZJ10EG/FG
PARTS CATALOGUE TITLE	GX620 GX620K1 GX620 [PROPANE ENGINE] GX620K1 [PROPANE ENGINE]	
NEWS NO.	011	

Block No.	Ref. No.	Note	Part No.	Description	Reqd. QTY					Serial No.	Parts catalogue code
					GX 620 (1)	GX 620 (2)	GX 620 K1 (1)	GX 620 (3)	GX 620 K1 (2)		

E-14-3 CARBURETOR (4)



E-14-3	13	K	93500-04014-1H	SCREW, PAN, 4X14 .....	-	-	-	-	4
--------	----	---	----------------	------------------------	---	---	---	---	---

NOTE A:PART NO. CHANGE D:NEWLY PROVIDED E:PART NO.DELETION K:REQUIRED NO. CORRECTION L:APPLICATION SERIAL NO. CORRECTION  
T:APPLICATION CORRECTION Z:REMARKS CHANGE

PARTS CATALOGUE NEWS

BOOKNo. : 13ZJ10E7

Block No.	Ref. No.	Note	Part No.	Description	Reqd. QTY					Serial No.	Parts catalogue code
					GX 620 (1)	GX 620 (2)	GX 620 K1 (1)	GX 620 (3)	GX 620 K1 (2)		
	15	D	16126-ZJ1-841	ARM, THROTTLE LINKAGE .....	-	-	-	-	1		

NOTE A:PART NO. CHANGE D:NEWLY PROVIDED E:PART NO.DELETION K:REQUIRED NO. CORRECTION L:APPLICATION SERIAL NO. CORRECTION  
T:APPLICATION CORRECTION Z:REMARKS CHANGE



# PARTS CATALOGUE NEWS

Honda Motor Co., Ltd. Service Division

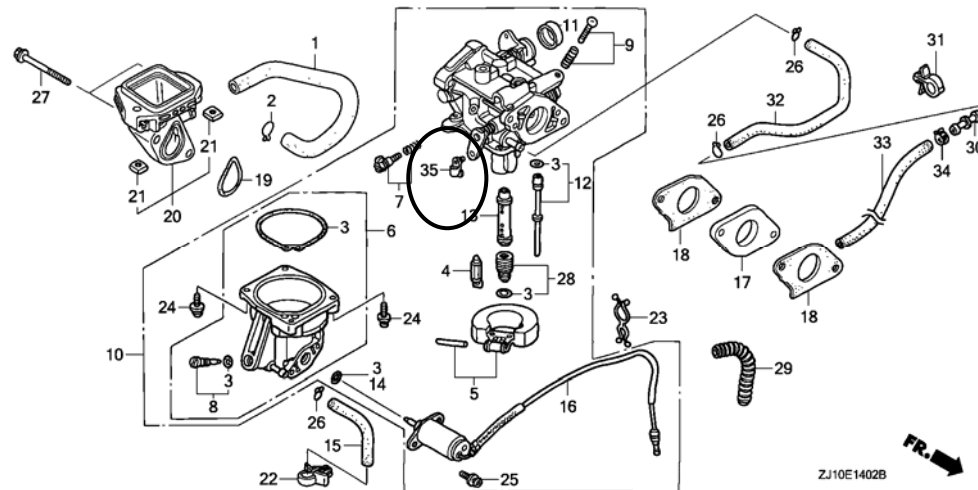
## PARTS CATALOGUE - CORRECTED

Printed in Japan

CODE NO.	BOOKLET TYPE	13ZJ10E7
	MICRO-FICHE	13ZJ10EG/FG
PARTS CATALOGUE TITLE	GX620 GX620K1 GX620 [PROPANE ENGINE] GX620K1 [PROPANE ENGINE]	
NEWS NO.	012	

Block No.	Ref. No.	Note	Part No.	Description	Reqd. QTY					Serial No.	Parts catalogue code
					GX 620 (1)	GX 620 (2)	GX 620 K1 (1)	GX 620 (3)	GX 620 K1 (2)		

E-14-2 CARBURETOR (3)



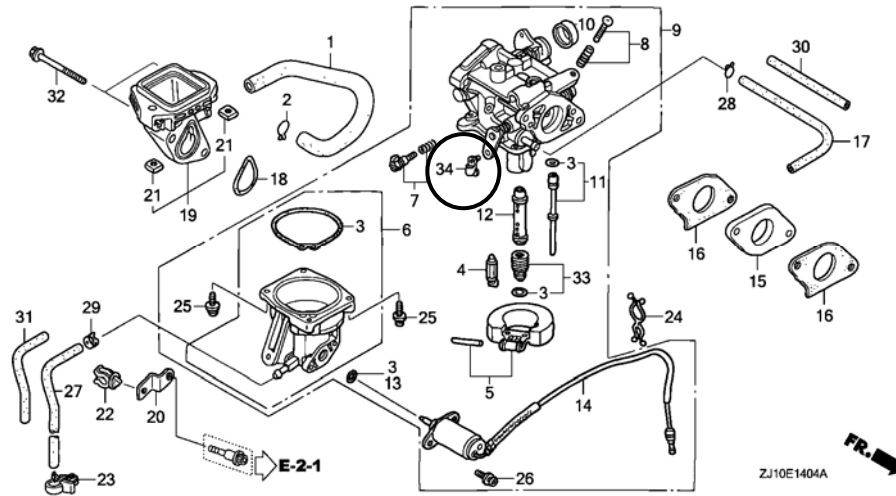
NOTE A:PART NO. CHANGE D:NEWLY PROVIDED E:PART NO. DELETION K:REQUIRED NO. CORRECTION L:APPLICATION SERIAL NO. CORRECTION  
 T:APPLICATION CORRECTION Z:REMARKS CHANGE

PARTS CATALOGUE NEWS

BOOKNo. : 13ZJ10E7

Block No.	Ref. No.	Note	Part No.	Description	Reqd. QTY					Serial No.	Parts catalogue code	
					GX 620 (1)	GX 620 (2)	GX 620 K1 (1)	GX 620 (3)	GX 620 K1 (2)			
E-14-2	35	D	16126-ZJ1-841	ARM, THROTTLE LINKAGE .....	-	-	1	-	-	-----	-----	QAB, QAB/A, QAB6, QAB6/A, QAD2, QAD2/A, QAF, QAF/A, QAF1, QAF1/A, QAF2, QAF2/A, QAF5, QAF5/A, QAF6, QAF6/A, QAF7, QAF7/A, QAF8, QAF8/A, QAF9, QAF9/A, QAX1, QAX1/A, QDF, QDF/A, QDF6, QDF6/A, QDP2, QDP2/A, QDW, QDW/A, QKW, QWA6, QWA6/A, QWF6, QWF6/A, QXA, QXA/A, QXA3, QXA3/A, QXA6, QXA6/A, QXB1, QXB1/A, QXC2, QXC2/A, QXE1, QXE1/A, QXE4, QXE4/A, QXE5, QXE5/A, QXE7, QXE7/A, QXE8, QXE8/A, QXF, QXF/A, QXF3, QXF4, QXF4/A, QXF6, QXF6/A, QXF8, QXF8/A, QXW2, QXW2/A, QXW4, QXW4/A, QYA, QYA/A, QYD, QYD/A, QYF, QYF/A, QZB, QZB/A, QZB2, QZB2/A, QZB3, QZB3/A, QZD, QZD/A, QZE3, QZE3/A, QZE4, QZE4/A, QZF1, QZF1/A, QZF2, QZF2/A, QZF8, QZF8/A, QZX1, QZX1/A, QZX4, QZX4/A, QZX5, QZX5/A, SAE1, SAE1/A, SAF1, SAF1/A, TXF2, TXF2/A, VAB2, VAB2/A, VAB3, VAB3/A, VAF, VAF/A, VAF6, VAF6/A, VDB2, VDB2/A, VDC2, VDC2/A, VEP4, VEP4/A, VXA1, VXA1/A, VXA4, VXA4/A, VXA5, VXA5/A, VXA6, VXA6/A, VXD4, VXD4/A, VXE1, VXE1/A, VXE2, VXE2/A, VXE4, VXE4/A, VXE8, VXE8/A, VXF, VXF/A, VXF4, VXF4/A, VXP2, VXP2/A, VXZ4, VXZ4/A, VYA1, VYA3, VYA3/A, VYE3, VYE3/A, VZA1, VZE7, VZE7/A, VZE8, VZE8/A

E-14-4 CARBURETOR (5)



E-14-4	7		16016-ZJ1-010	SCREW SET .....	-	-	1	-	-	-----	-----	SYA
--------	---	--	---------------	-----------------	---	---	---	---	---	-------	-------	-----

NOTE A:PART NO. CHANGE D:NEWLY PROVIDED E:PART NO.DELETION K:REQUIRED NO. CORRECTION L:APPLICATION SERIAL NO. CORRECTION  
T:APPLICATION CORRECTION Z:REMARKS CHANGE



PARTS CATALOGUE NEWS

BOOKNo. : 13ZJ10E7

Block No.	Ref. No.	Note	Part No.	Description	Reqd. QTY					Serial No.	Parts catalogue code
					GX 620 (1)	GX 620 (2)	GX 620 K1 (1)	GX 620 (3)	GX 620 K1 (2)		
				(CARBURETOR NO.)	-	-	1	-	-	----- BG22S A	SYA/A
	A		16016-ZG8-L10	..... (CARBURETOR NO.)	-	-	1	-	-	BG22S B -----	SYA/A
	34	D	16126-ZJ1-841	ARM, THROTTLE LINKAGE .....	-	-	1	-	-	-----	SYA, SYA/A

NOTE A:PART NO. CHANGE D:NEWLY PROVIDED E:PART NO.DELETION K:REQUIRED NO. CORRECTION L:APPLICATION SERIAL NO. CORRECTION  
T:APPLICATION CORRECTION Z:REMARKS CHANGE



# PARTS CATALOGUE NEWS

Honda Motor Co., Ltd. Service Division

## PARTS CATALOGUE - CORRECTED

Printed in Japan

CODE NO.	BOOKLET TYPE	13ZJ10E7
	MICRO- FICHE	13ZJ10EG/FG
PARTS CATALOGUE TITLE	GX620 GX620K1 GX620 [PROPANE ENGINE] GX620K1 [PROPANE ENGINE]	
NEWS NO.	013	

Block No.	Ref. No.	Note	Part No.	Description	Reqd. QTY					Serial No.	Parts catalogue code
					GX 620 (1)	GX 620 (2)	GX 620 K1 (1)	GX 620 (3)	GX 620 K1 (2)		
E-17-2	3		16950-ZA0-013	COCK ASSY., FUEL .....	1	-	1	-	-	-----	VYA3, VYE3, VZA3, VZE7, VZE8
					-	-	1	-	-	-----	2168780 VYA3/A, VYE3/A, VZE7/A, VZE8/A
	A		16950-ZA0-023	.....	-	-	1	-	-	2168781	VYA3/A, VYE3/A, VZE7/A, VZE8/A
E-28-1	28	L	87135-ZE2-020	LABEL, E-SPEC (15.5X27.5) ....	-	-	1	-	-	-----	2072386 QWA6, QWF6
					-	-	1	-	-	-----	2168193 QAF5/A, QAF6/A, QAF7/A, QAF8/A, QAX1/A, QKW, QXE1/A, QXE5/A, QXF8/A, QZB/A, QZD/A, QZF1/A, QZF2/A, QZF8/A, QZX1/A, SAE1/A, VXE1/A, VYA3/A, VYE3/A, VZE7/A, VZE8/A
					-	-	1	-	-	2065727	QAF5, QAF6, QAF7, QAF8, QAX1, QXE1, QXE5, QXF8, QZB, QZD, QZF1, QZF2, QZF8, QZX1, SAE1, VXE1, VYA3, VYE3, VZE7, VZE8
					-	-	1	-	-	2065727 2106217	QXE4, QXE7, QXE8, QXF, QXF4, QXW4, QZE3, QZE4, QZX4, QZX5, VXA5, VXA6, VXE4, VXF, VXF4, VXZ4

NOTE A:PART NO. CHANGE D:NEWLY PROVIDED E:PART NO. DELETION K:REQUIRED NO. CORRECTION L:APPLICATION SERIAL NO. CORRECTION  
T:APPLICATION CORRECTION Z:REMARKS CHANGE



# PARTS CATALOGUE NEWS

Honda Motor Co., Ltd. Service Division

## PARTS CATALOGUE - CORRECTED

Printed in Japan

CODE NO.	BOOKLET TYPE	13ZJ10E7
	MICRO- FICHE	13ZJ10EG/FG
PARTS CATALOGUE TITLE	GX620 GX620K1 GX620 [PROPANE ENGINE] GX620K1 [PROPANE ENGINE]	
NEWS NO.	014	

Block No.	Ref. No.	Note	Part No.	Description	Reqd. QTY					Serial No.	Parts catalogue code	
					GX 620 (1)	GX 620 (2)	GX 620 K1 (1)	GX 620 (3)	GX 620 K1 (2)			
E-14-2	10		16100-ZJ1-841	CARBURETOR ASSY. (BG22G A) ...	-	-	1	-	-	-----	QAB, QAB6, QAF, QAF1, QAF5, QAF6, QAF7, QAF8, QAF9, QDF, QDF6, QDW, QWA6, QWF6, QXA, QXA3, QXA6, QXB1, QXC2, QXE1, QXE5, QXF, QXF3, QXF4, QXF6, QYA, QYD, QYF, QZB, QZB2, QZB3, QZD, QZE3, QZE4, QZF1, QZF2, QZF8, SAE1, SAF1, VAF, VAF6, VEP4, VXA1, VXE1, VXE4, VXE8, VXF, VXF4, VXP2, VYA1, VYA3, VYE3, VZA1, VZE7, VZE8	
					-	-	1	-	-	-----	2169793 QAB/A, QAB6/A, QAF/A, QAF1/A, QAF5/A, QAF6/A, QAF7/A, QAF8/A, QAF9/A, QDF/A, QDF6/A, QDW/A, QKW, QWA6/A, QWF6/A, QXA/A, QXA3/A, QXA6/A, QXB1/A, QXC2/A, QXE1/A, QXE5/A, QXF/A, QXF4/A, QXF6/A, QYA/A, QYD/A, QYF/A, QZB/A, QZB2/A, QZB3/A, QZD/A, QZE3/A, QZE4/A, QZF1/A, QZF2/A, QZF8/A, SAE1/A, SAF1/A, VAF/A, VAF6/A, VEP4/A, VXA1/A, VXE1/A, VXE4/A, VXE8/A, VXF/A, VXF4/A, VXP2/A, VYA3/A, VYE3/A, VZE7/A, VZE8/A	
		A	16100-ZJ1-842	CARBURETOR ASSY. (BG22G B) ...	-	-	1	-	-	2169794	-----	QAB/A, QAB6/A, QAF/A, QAF1/A, QAF5/A, QAF6/A, QAF7/A, QAF8/A, QAF9/A, QDF/A, QDF6/A, QDW/A, QKW, QWA6/A, QWF6/A, QXA/A, QXA3/A, QXA6/A, QXB1/A, QXC2/A, QXE1/A, QXE5/A, QXF/A, QXF4/A, QXF6/A, QYA/A, QYD/A, QYF/A, QZB/A, QZB2/A, QZB3/A, QZD/A, QZE3/A, QZE4/A, QZF1/A, QZF2/A, QZF8/A, SAE1/A, SAF1/A, VAF/A, VAF6/A, VEP4/A, VXA1/A, VXE1/A, VXE4/A, VXE8/A, VXF/A, VXF4/A, VXP2/A, VYA3/A, VYE3/A, VZE7/A, VZE8/A
E-14-4	9		16100-ZJ1-R51	CARBURETOR ASSY. (BG22S A) ...	-	-	1	-	-	-----	-----	SYA

NOTE A:PART NO. CHANGE D:NEWLY PROVIDED E:PART NO. DELETION K:REQUIRED NO. CORRECTION L:APPLICATION SERIAL NO. CORRECTION  
T:APPLICATION CORRECTION Z:REMARKS CHANGE

PARTS CATALOGUE NEWS

BOOKNo. : 13ZJ10E7

Block No.	Ref. No.	Note	Part No.	Description	Reqd. QTY					Serial No.	Parts catalogue code
					GX 620	GX 620	GX 620 K1	GX 620	GX 620 K1		
					(1)	(2)	(1)	(3)	(2)		
					-	-	1	-	-	----- 2169810	SYA/A
		A	16100-ZJ1-R52	CARBURETOR ASSY. (BG22S B) ...	-	-	1	-	-	2169811 -----	SYA/A

NOTE A:PART NO. CHANGE D:NEWLY PROVIDED E:PART NO.DELETION K:REQUIRED NO. CORRECTION L:APPLICATION SERIAL NO. CORRECTION  
T:APPLICATION CORRECTION Z:REMARKS CHANGE



# PARTS CATALOGUE NEWS

Honda Motor Co., Ltd. Service Division

## PARTS CATALOGUE - CORRECTED

Printed in Japan

CODE NO.	BOOKLET TYPE	13ZJ10E7
	MICRO- FICHE	13ZJ10EG/FG
PARTS CATALOGUE TITLE	GX620 GX620K1 GX620 [PROPANE ENGINE] GX620K1 [PROPANE ENGINE]	
NEWS NO.	015	

Block No.	Ref. No.	Note	Part No.	Description	Reqd. QTY					Serial No.	Parts catalogue code
					GX 620 (1)	GX 620 (2)	GX 620 K1 (1)	GX 620 (3)	GX 620 K1 (2)		
E-6-1	1		11300-ZJ1-842	COVER ASSY., CRANKCASE .....	-	-	1	-	-	----- 2170463	QKW
					-	-	1	-	-	2161753 2170463	QAB/A, QAB6/A, QAD2/A, QAF/A, QAF1/A, QAF2/A, QAF5/A QAF6/A, QAF7/A, QAF8/A, QAF9/A, QAX1/A, QDF/A QDF6/A, QDP2/A, QDW/A, QWA6/A, QWF6/A, QXA/A, QXA3/A QXA6/A, QXB1/A, QXC2/A, QXE1/A, QXE4/A, QXE5/A QXE7/A, QXE8/A, QXF/A, QXF4/A, QXF6/A, QXF8/A QXW2/A, QXW4/A, QYA/A, QYD/A, QYF/A, QZB/A, QZB2/A QZB3/A, QZD/A, QZE3/A, QZE4/A, QZF1/A, QZF2/A QZF8/A, QZX1/A, QZX4/A, QZX5/A, TXF2/A, VAB2/A VAF/A, VAF6/A, VDB2/A, VDC2/A, VEP4/A, VXA1/A VXA4/A, VXA5/A, VXA6/A, VXD4/A, VXE1/A, VXE2/A VXE4/A, VXE8/A, VXF/A, VXF4/A, VXP2/A, VXZ4/A VYA3/A, VYE3/A
					-	-	-	-	1	----- -----	VXC/A, VXC1/A, VXC2/A
			11300-ZJ1-852	.....	-	-	1	-	-	2163881 2170457	SAE1/A, SAF1/A, SYA/A, VAB3/A, VZE7/A, VZE8/A

NOTE A:PART NO. CHANGE D:NEWLY PROVIDED E:PART NO. DELETION K:REQUIRED NO. CORRECTION L:APPLICATION SERIAL NO. CORRECTION  
 T:APPLICATION CORRECTION Z:REMARKS CHANGE

PARTS CATALOGUE NEWS

BOOKNo. : 13ZJ10E7

Block No.	Ref. No.	Note	Part No.	Description	Reqd. QTY					Serial No.	Parts catalogue code	
					GX 620	GX 620	GX 620 K1	GX 620	GX 620 K1			
					(1)	(2)	(1)	(3)	(2)			
		A	11300-ZJ1-843	.....	-	-	1	-	-	2170464	-----	QAB/A, QAB6/A, QAD2/A, QAF/A, QAF1/A, QAF2/A, QAF5/A, QAF6/A, QAF7/A, QAF8/A, QAF9/A, QAX1/A, QDF/A, QDF6/A, QDP2/A, QDW/A, QKW, QWA6/A, QWF6/A, QXA/A, QXA3/A, QXA6/A, QXB1/A, QXC2/A, QXE1/A, QXE4/A, QXE5/A, QXE7/A, QXE8/A, QXF/A, QXF4/A, QXF6/A, QXF8/A, QXW2/A, QXW4/A, QYA/A, QYD/A, QYF/A, QZB/A, QZB2/A, QZB3/A, QZD/A, QZE3/A, QZE4/A, QZF1/A, QZF2/A, QZF8/A, QZX1/A, QZX4/A, QZX5/A, TXF2/A, VAB2/A, VAF/A, VAF6/A, VDB2/A, VDC2/A, VEP4/A, VXA1/A, VXA4/A, VXA5/A, VXA6/A, VXD4/A, VXE1/A, VXE2/A, VXE4/A, VXE8/A, VXF/A, VXF4/A, VXP2/A, VXZ4/A, VYA3/A, VYE3/A
		A	11300-ZJ1-853	.....	-	-	1	-	-	2170458	-----	SAE1/A, SAF1/A, SYA/A, VAB3/A, VZE7/A, VZE8/A
	4		15120-ZJ1-000	COVER ASSY. , OIL PUMP (TWO BOLTS)	-	-	1	-	-	-----	-----	QAB, QAB6, QAD2, QAF, QAF1, QAF2, QAF5, QAF6, QAF7, QAF8, QAF9, QAX1, QDF, QDF6, QDP2, QDW, QWA6, QWF6, QXA, QXA3, QXA6, QXB1, QXC2, QXE1, QXE4, QXE5, QXE7, QXE8, QXF, QXF3, QXF4, QXF6, QXF8, QXW2, QXW4, QYA, QYD, QYF, QZB, QZB2, QZB3, QZD, QZE3, QZE4, QZF1, QZF2, QZF8, QZX1, QZX4, QZX5, SAE1, SAF1, SYA, TXF2, VAB2, VAB3, VAF, VAF6, VDB2, VDC2, VEP4, VXA1, VXA4, VXA5, VXA6, VXD4, VXE1, VXE2, VXE4, VXE8, VXF, VXF4, VXP2, VXZ4, VYA1, VYA3, VYE3, VZA1, VZE7, VZE8
					-	-	1	-	-	-----	2170457	SAE1/A, SAF1/A, SYA/A, VAB3/A, VZE7/A, VZE8/A
					-	-	1	-	-	-----	2170463	QAB/A, QAB6/A, QAD2/A, QAF/A, QAF1/A, QAF2/A, QAF5/A, QAF6/A, QAF7/A, QAF8/A, QAF9/A, QAX1/A, QDF/A, QDF6/A, QDP2/A, QDW/A, QKW, QWA6/A, QWF6/A, QXA/A, QXA3/A, QXA6/A, QXB1/A, QXC2/A, QXE1/A, QXE4/A, QXE5/A, QXE7/A, QXE8/A, QXF/A, QXF4/A, QXF6/A, QXF8/A, QXW2/A, QXW4/A, QYA/A, QYD/A, QYF/A, QZB/A, QZB2/A, QZB3/A, QZD/A, QZE3/A, QZE4/A, QZF1/A, QZF2/A, QZF8/A, QZX1/A, QZX4/A, QZX5/A, TXF2/A, VAB2/A, VAF/A, VAF6/A, VDB2/A, VDC2/A, VEP4/A, VXA1/A, VXA4/A, VXA5/A, VXA6/A, VXD4/A, VXE1/A, VXE2/A, VXE4/A, VXE8/A, VXF/A, VXF4/A, VXP2/A, VXZ4/A, VYA3/A, VYE3/A
					-	-	-	-	1			
		A	15120-ZJ1-010	COVER ASSY. , OIL PUMP (THREE BOLTS)	-	-	1	-	-	2170458	-----	SAE1/A, SAF1/A, SYA/A, VAB3/A, VZE7/A, VZE8/A

NOTE A:PART NO. CHANGE D:NEWLY PROVIDED E:PART NO.DELETION K:REQUIRED NO. CORRECTION L:APPLICATION SERIAL NO. CORRECTION  
T:APPLICATION CORRECTION Z:REMARKS CHANGE

PARTS CATALOGUE NEWS

BOOKNo. : 13ZJ10E7

Block No.	Ref. No.	Note	Part No.	Description	Reqd. QTY					Serial No.	Parts catalogue code	
					GX 620	GX 620	GX 620	GX 620	GX 620			
					(1)	(2)	(1)	(3)	(2)			
					-	-	1	-	-	2170464	-----	QAB/A, QAB6/A, QAD2/A, QAF/A, QAF1/A, QAF2/A, QAF5/A, QAF6/A, QAF7/A, QAF8/A, QAF9/A, QAX1/A, QDF/A, QDF6/A, QDP2/A, QDW/A, QKW, QWA6/A, QWF6/A, QXA/A, QXA3/A, QXA6/A, QXB1/A, QXC2/A, QXE1/A, QXE4/A, QXE5/A, QXE7/A, QXE8/A, QXF/A, QXF4/A, QXF6/A, QXF8/A, QXW2/A, QXW4/A, QYA/A, QYD/A, QYF/A, QZB/A, QZB2/A, QZB3/A, QZD/A, QZE3/A, QZE4/A, QZF1/A, QZF2/A, QZF8/A, QZX1/A, QZX4/A, QZX5/A, TXF2/A, VAB2/A, VAF/A, VAF6/A, VDB2/A, VDC2/A, VEP4/A, VXA1/A, VXA4/A, VXA5/A, VXA6/A, VXD4/A, VXE1/A, VXE2/A, VXE4/A, VXE8/A, VXF/A, VXF4/A, VXP2/A, VXZ4/A, VYA3/A, VYE3/A
31	K		96600-06016-00	BOLT, SOCKET, 6X16 .....	-	-	2	-	-	-----	-----	QAB, QAB6, QAD2, QAF, QAF1, QAF2, QAF5, QAF6, QAF7, QAF8, QAF9, QAX1, QDF, QDF6, QDP2, QDW, QWA6, QWF6, QXA, QXA3, QXA6, QXB1, QXC2, QXE1, QXE4, QXE5, QXE7, QXE8, QXF, QXF3, QXF4, QXF6, QXF8, QXW2, QXW4, QYA, QYD, QYF, QZB, QZB2, QZB3, QZD, QZE3, QZE4, QZF1, QZF2, QZF8, QZX1, QZX4, QZX5, SAE1, SAF1, SYA, TXF2, VAB2, VAB3, VAF, VAF6, VDB2, VDC2, VEP4, VXA1, VXA4, VXA5, VXA6, VXD4, VXE1, VXE2, VXE4, VXE8, VXF, VXF4, VXP2, VXZ4, VYA1, VYA3, VYE3, VZA1, VZE7, VZE8
					-	-	2	-	-	-----	2170457	SAE1/A, SAF1/A, SYA/A, VAB3/A, VZE7/A, VZE8/A
					-	-	2	-	-	-----	2170463	QAB/A, QAB6/A, QAD2/A, QAF/A, QAF1/A, QAF2/A, QAF5/A, QAF6/A, QAF7/A, QAF8/A, QAF9/A, QAX1/A, QDF/A, QDF6/A, QDP2/A, QDW/A, QKW, QWA6/A, QWF6/A, QXA/A, QXA3/A, QXA6/A, QXB1/A, QXC2/A, QXE1/A, QXE4/A, QXE5/A, QXE7/A, QXE8/A, QXF/A, QXF4/A, QXF6/A, QXF8/A, QXW2/A, QXW4/A, QYA/A, QYD/A, QYF/A, QZB/A, QZB2/A, QZB3/A, QZD/A, QZE3/A, QZE4/A, QZF1/A, QZF2/A, QZF8/A, QZX1/A, QZX4/A, QZX5/A, TXF2/A, VAB2/A, VAF/A, VAF6/A, VDB2/A, VDC2/A, VEP4/A, VXA1/A, VXA4/A, VXA5/A, VXA6/A, VXD4/A, VXE1/A, VXE2/A, VXE4/A, VXE8/A, VXF/A, VXF4/A, VXP2/A, VXZ4/A, VYA3/A, VYE3/A
					-	-	-	-	2			
					-	-	3	-	-	2170458	-----	SAE1/A, SAF1/A, SYA/A, VAB3/A, VZE7/A, VZE8/A

NOTE A:PART NO. CHANGE D:NEWLY PROVIDED E:PART NO. DELETION K:REQUIRED NO. CORRECTION L:APPLICATION SERIAL NO. CORRECTION  
T:APPLICATION CORRECTION Z:REMARKS CHANGE

PARTS CATALOGUE NEWS

BOOKNo. : 13ZJ10E7

Block No.	Ref. No.	Note	Part No.	Description	Reqd. QTY					Serial No.	Parts catalogue code
					GX 620	GX 620	GX 620 K1	GX 620	GX 620 K1		
					(1)	(2)	(1)	(3)	(2)		
					-	-	3	-	-	2170464 -----	QAB/A, QAB6/A, QAD2/A, QAF/A, QAF1/A, QAF2/A, QAF5/A QAF6/A, QAF7/A, QAF8/A, QAF9/A, QAX1/A, QDF/A QDF6/A, QDP2/A, QDW/A, QKW, QWA6/A, QWF6/A, QXA/A QXA3/A, QXA6/A, QXB1/A, QXC2/A, QXE1/A, QXE4/A QXE5/A, QXE7/A, QXE8/A, QXF/A, QXF4/A, QXF6/A QXF8/A, QXW2/A, QXW4/A, QYA/A, QYD/A, QYF/A, QZB/A QZB2/A, QZB3/A, QZD/A, QZE3/A, QZE4/A, QZF1/A QZF2/A, QZF8/A, QZX1/A, QZX4/A, QZX5/A, TXF2/A VAB2/A, VAF/A, VAF6/A, VDB2/A, VDC2/A, VEP4/A VXA1/A, VXA4/A, VXA5/A, VXA6/A, VXD4/A, VXE1/A VXE2/A, VXE4/A, VXE8/A, VXF/A, VXF4/A, VXP2/A VXZ4/A, VYA3/A, VYE3/A

NOTE A:PART NO. CHANGE D:NEWLY PROVIDED E:PART NO. DELETION K:REQUIRED NO. CORRECTION L:APPLICATION SERIAL NO. CORRECTION  
T:APPLICATION CORRECTION Z:REMARKS CHANGE





# PARTS CATALOGUE NEWS

Honda Motor Co., Ltd. Service Division

## PARTS CATALOGUE - CORRECTED

Printed in Japan

CODE NO.	BOOKLET TYPE	13ZJ10E7
	MICRO- FICHE	13ZJ10EG/FG
PARTS CATALOGUE TITLE	GX620 GX620K1 GX620 [PROPANE ENGINE] GX620K1 [PROPANE ENGINE]	
NEWS NO.	016	

### GX620K1-QKW1, QKW2, QKW3 and VZE9 TYPES sales parts information

NOTE: This Parts Catalogue News explains only the parts of the different model that are produced to conform to addition of the GX620K1-QKW1, QKW2, QKW3 and VZE9 types.

As for the parts not listed on this Parts Catalogue News, use the parts of the GX620K1-QDW, VZE8 types.

- Models, parts catalogue codes and applicable serial numbers

Model	Type		Parts catalogue type	Applicable engine serial No.	Applicable carburetor identification No.
GX620K1	QDW	Base type	QDW	GCAD-2000001~2159999	BG22G A
	QKW1	Additional type	QKW1	GCAD-2160001~	BG22G B
	QKW2		QKW2		
	QKW3		QKW3		
	VZE8	Base type	VZE8	GCAD-2000001~2159999	BG22G A
	VZE9	Additional type	VZE9	GCAD-2160001~	BG22G B

PARTS CATALOGUE NEWS

BOOKNo. : 13ZJ10E7

• Features of each type		Base type	Additional type				Base type	Additional type
Specifications	Model	GX620K1						
	Type	QDW	QKW1	QKW2	QKW3	VZE8	VZE9	
Crankshaft	25mm Ø Straight (L=130.5)							
	25mm Ø Straight (L=133.5)							
	25.4mm Ø Straight (L=139.5)							
	25.4mm Ø Straight (L=142.5)	●	●	●	●			
	28.575mm Ø Straight (L=163.5)							
	28.575mm Ø Straight (L=166.5)							
	M10 Tapered (L=160)					●	●	
	M10 Tapered (L=163)							
	5/16" Tapered (L=160)							
	5/16" Tapered (L=163)							
	3/8" Tapered (L=105.5)							
7/16" Tapered (L=160)								
Oil alert					●	●		
Fuel tank								
Control box			●					
Recoil starter								
Starter motor		●	●	●	●	●		
Auto throttle								
Battery					●	●		
Oil cooler								
Winter kit								

NOTE A:PART NO. CHANGE D:NEWLY PROVIDED E:PART NO.DELETION K:REQUIRED NO. CORRECTION L:APPLICATION SERIAL NO. CORRECTION  
T:APPLICATION CORRECTION Z:REMARKS CHANGE

## PARTS CATALOGUE NEWS

BOOKNo. : 13ZJ10E7

Block No.	Ref. No.	Part No.	Description	Reqd. QTY					Base Part No.	Parts catalogue code
				GX 620 (1)	GX 620 (2)	GX 620 K1 (1)	GX 620 (3)	GX 620 K1 (2)		
E-2-1	8	12314-ZJ1-840	COVER, HEAD FILLER .....	-	-	1	-	-	12311-ZJ1-840	QKW1, QKW2, QKW3
	9	12314-ZJ1-840	COVER, HEAD FILLER .....	-	-	1	-	-	12311-ZJ1-840	VZE9
	11	15611-MB0-000	CAP, OIL FILLER .....	-	-	1	-	-		VZE9
	12	15625-ZJ1-840	PACKING, OIL FILLER CAP .....	-	-	1	-	-		VZE9
	27		CAP, OIL FILLER .....	-	-	0	-	-	15611-MB0-000	VZE9
	28		PACKING, OIL FILLER CAP .....	-	-	0	-	-	15625-ZJ1-840	VZE9
E-3-1	10	35490-Z6D-003	SWITCH ASSY., OIL PRESSURE ...	-	-	1	-	-		QKW1, QKW2
	11	90002-ZW2-F01	SCREW-WASHER, 4X8 .....	-	-	1	-	-		QKW1, QKW2
E-6-1	1	11300-ZJ1-843	COVER ASSY., CRANKCASE .....	-	-	1	-	-	11300-ZJ1-841	QKW1, QKW2, QKW3
		11300-ZJ1-853	.....	-	-	1	-	-	11300-ZJ1-851	VZE9
	3		BOLT, SEALING .....	-	-	0	-	-	12105-ZA0-701	QKW1, QKW2
	4	15120-ZJ1-010	COVER ASSY., OIL PUMP (THREE BOLTS)	-	-	1	-	-	15120-ZJ1-000	
E-7	5	90745-ZE2-600	KEY, 6. 3X6. 3X43 .....	-	-	1	-	-		QKW1
	6	90003-ZE3-600	BOLT, HEX., 3/8-24UNF (25MM) ..	-	-	1	-	-		QKW1
	7	90471-ZE3-000	WASHER, 10. 5X40X4 .....	-	-	1	-	-		QKW1
E-8-1	7	90551-ZE1-000	CLIP, PISTON PIN, 18MM .....	-	-	4	-	-	94601-18000	
E-12-1	1		COVER, FUEL PUMP .....	-	-	0	-	-	16715-ZJ1-840	QKW1, QKW3
	2	16715-ZJ1-850	COVER, FUEL PUMP (MANUAL CONTROL)	-	-	1	-	-		QKW1, QKW3
	3		COVER, FAN *NH1*..... BLACK	-	-	0	-	-	19611-ZJ1-840ZA	QKW1, QKW2
			*R280*..... POWER RED	-	-	0	-	-	19611-ZJ1-840ZC	QKW2
	5	19611-ZJ1-860ZA	COVER, FAN (P. T. O.) *NH1*..... BLACK	-	-	1	-	-		QKW2
		19611-ZJ1-860ZC	*R280*..... POWER RED	-	-	1	-	-		QKW2

NOTE A:PART NO. CHANGE D:NEWLY PROVIDED E:PART NO.DELETION K:REQUIRED NO. CORRECTION L:APPLICATION SERIAL NO. CORRECTION  
T:APPLICATION CORRECTION Z:REMARKS CHANGE

## PARTS CATALOGUE NEWS

BOOKNo. : 13ZJ10E7

Block No.	Ref. No.	Part No.	Description	Reqd. QTY					Base Part No.	Parts catalogue code
				GX 620 (1)	GX 620 (2)	GX 620 K1 (1)	GX 620 (3)	GX 620 K1 (2)		
E-14-2	10	16100-ZJ1-842	CARBURETOR ASSY. (BG22G B) ...	-	-	1	-	-	16100-ZJ1-841	
	28	99101-ZJ4-1050	JET, MAIN, #105 .....	-	-	1	-	-		
E-16-2	2	18310-ZJ1-801	MUFFLER COMP. (SIDE-L) .....	-	-	(1)	-	-		QKW2, QKW3
	3	18321-ZJ1-841	PROTECTOR, MUFFLER (SIDE-L) ..	-	-	(1)	-	-		QKW2, QKW3
	4	18325-ZJ1-801	PROTECTOR, RR. MUFFLER (SIDE-L)	-	-	(1)	-	-		QKW2, QKW3
	6	18338-ZJ1-851	STAY, MUFFLER (SIDE-L) .....	-	-	(1)	-	-		QKW2, QKW3
	7	18396-ZJ1-003	BAND ASSY. ....	-	-	(1)	-	-		QKW2, QKW3
	8	95701-06008-00	BOLT, FLANGE, 6X8 .....	-	-	(4)	-	-		QKW2, QKW3
	9	95701-06008-00	BOLT, FLANGE, 6X8 .....	-	-	(3)	-	-		QKW2, QKW3
	10	95701-08014-00	BOLT, FLANGE, 8X14 .....	-	-	(2)	-	-		QKW2, QKW3
	11	95701-06050-00	BOLT, FLANGE, 6X50 .....	-	-	(1)	-	-		QKW2, QKW3
	12	18330-ZJ1-861	PIPE COMP., EX. (SIDE-L) .....	-	-	(1)	-	-		QKW2, QKW3
	13	18355-ZJ1-801	ARRESTER, SPARK .....	-	-	(1)	-	-		QKW2, QKW3
	15	90009-ZJ1-801	SCREW, (NELSON) .....	-	-	(4)	-	-		QKW2, QKW3
	17	95701-08050-00	BOLT, FLANGE, 8X50 .....	-	-	(1)	-	-		QKW2, QKW3
E-17-2	3	16950-ZA0-023	COCK ASSY., FUEL .....	-	-	1	-	-	16950-ZA0-013	VZE9

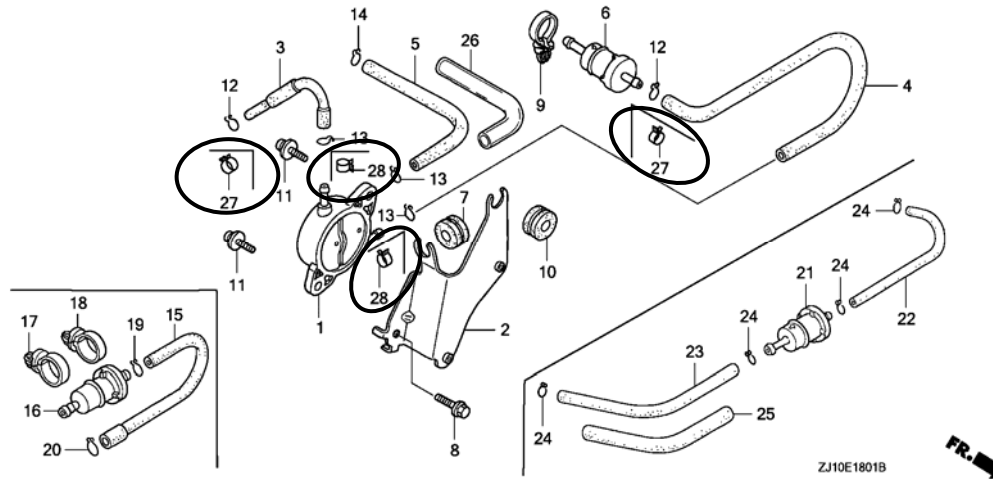
NOTE A:PART NO. CHANGE D:NEWLY PROVIDED E:PART NO.DELETION K:REQUIRED NO. CORRECTION L:APPLICATION SERIAL NO. CORRECTION  
T:APPLICATION CORRECTION Z:REMARKS CHANGE

PARTS CATALOGUE NEWS

BOOKNo. : 13ZJ10E7

Block No.	Ref. No.	Part No.	Description	Reqd. QTY					Base Part No.	Parts catalogue code
				GX 620 (1)	GX 620 (2)	GX 620 K1 (1)	GX 620 (3)	GX 620 K1 (2)		

E-18-1 FUEL PUMP (GX620K1)



E-18-1	3	16850-Z6C-841	TUBE COMP. A, FUEL (FKM) .....	-	-	1	-	-	16850-ZJ1-840	QKW2, QKW3
	4	16852-Z6C-841	TUBE B, FUEL (FKM) .....	-	-	1	-	-	16852-ZJ1-840	QKW2, QKW3
	12		CLIP, TUBE (B8) .....	-	-	0	-	-	95002-02080	QKW2, QKW3
	13		CLIP, TUBE (B10) .....	-	-	0	-	-	95002-02100	QKW2, QKW3
	14	95002-02080	CLIP, TUBE (B8) .....	-	-	1	-	-	95002-50000	
	26	95003-25015-20	TUBE, VINYL, 9X11X150 (95003-25001-10M)	-	-	1	-	-		
	27	95002-40800-08	CLAMP, TUBE (D8) .....	-	-	2	-	-		QKW2, QKW3
	28	95002-40850-08	CLAMP, TUBE (D8.5) .....	-	-	2	-	-		QKW2, QKW3
E-19	7	31110-ZJ1-850	FLYWHEEL COMP. ....	-	-	1	-	-	31110-ZJ1-840	QKW1
E-20	5	31630-ZJ1-003	COIL ASSY., CHARGE (12V/3A) ..	-	-	1	-	-		QKW1
	6		COIL ASSY., CHARGE (12V/20A) .	-	-	0	-	-	31630-ZJ1-801	QKW1

NOTE A:PART NO. CHANGE D:NEWLY PROVIDED E:PART NO.DELETION K:REQUIRED NO. CORRECTION L:APPLICATION SERIAL NO. CORRECTION  
T:APPLICATION CORRECTION Z:REMARKS CHANGE

## PARTS CATALOGUE NEWS

BOOKNo. : 13ZJ10E7

Block No.	Ref. No.	Part No.	Description	Reqd. QTY					Base Part No.	Parts catalogue code
				GX 620 (1)	GX 620 (2)	GX 620 K1 (1)	GX 620 (3)	GX 620 K1 (2)		
	9	90014-ZE6-000	BOLT, FLANGE, 6X35 (CT200) ....	-	-	2	-	-		QKW1
	10		BOLT, FLANGE, 6X32 .....	-	-	0	-	-	90031-ZE1-000	QKW1
	13	32171-GJ1-003	CLIP, WIRE HARNESS .....	-	-	1	-	-		QKW1
E-22-2	1		JOINT, ROD .....	-	-	0	-	-	16263-883-W10	QKW1, QKW3
	2		CONTROL ASSY. ....	-	-	0	-	-	16500-ZJ1-861	QKW1, QKW3
	3		SPRING, STARTER .....	-	-	0	-	-	16534-ZJ1-840	QKW1, QKW3
	4		ARM, GOVERNOR .....	-	-	0	-	-	16551-ZJ1-840	QKW1, QKW3
	5		ROD, GOVERNOR .....	-	-	0	-	-	16555-ZJ1-840	QKW1, QKW3
	6		SPRING, GOVERNOR .....	-	-	0	-	-	16561-ZJ4-830	QKW1, QKW3
	7		SPRING, THROTTLE RETURN .....	-	-	0	-	-	16562-ZJ1-840	QKW1, QKW3
	8		HOLDER, CABLE .....	-	-	0	-	-	16576-891-000	QKW1, QKW3
	9	16576-891-000	HOLDER, CABLE .....	-	-	1	-	-		VZE9
				-	-	2	-	-		QKW2
	10		SPRING, CONTROL ADJUSTING ....	-	-	0	-	-	16584-883-300	QKW1, QKW3
		16584-883-300	.....	-	-	2	-	-	16584-883-300	VZE9
	11		SPRING, CABLE RETURN .....	-	-	0	-	-	16592-ZJ1-000	QKW1, QKW3
	12		HOLDER, WIRE .....	-	-	0	-	-	16594-883-010	QKW1, QKW3
		16594-883-010	.....	-	-	1	-	-	16594-883-000	VZE9
	14		ROD, CHOKE CONTROL .....	-	-	0	-	-	16611-ZJ1-840	QKW1, QKW3
	18		BOLT, FLANGE, 6X14 (CT200) ....	-	-	0	-	-	90014-952-000	QKW1, QKW3
	19		BOLT, GOVERNOR ARM .....	-	-	0	-	-	90015-ZE3-790	QKW1, QKW3
	20		CIRCLIP, 5MM .....	-	-	0	-	-	90605-230-000	QKW1, QKW3
	21		BOLT, RECESSED, 5X16 .....	-	-	0	-	-	92301-05016-0A	QKW1, QKW3
	23		BOLT, RECESSED, 5X25 .....	-	-	0	-	-	92301-05025-0A	QKW1, QKW3

NOTE A:PART NO. CHANGE D:NEWLY PROVIDED E:PART NO.DELETION K:REQUIRED NO. CORRECTION L:APPLICATION SERIAL NO. CORRECTION  
T:APPLICATION CORRECTION Z:REMARKS CHANGE

## PARTS CATALOGUE NEWS

BOOKNo. : 13ZJ10E7

Block No.	Ref. No.	Part No.	Description	Reqd. QTY					Base Part No.	Parts catalogue code
				GX 620 (1)	GX 620 (2)	GX 620 K1 (1)	GX 620 (3)	GX 620 K1 (2)		
	24		BOLT, RECESSED, 4X6 .....	-	-	0	-	-	92301-04006-0H	QKW1, QKW3
	25		SCREW, PAN, 5X25 .....	-	-	0	-	-	93500-05025-0A	QKW1, QKW3
	26		NUT, FLANGE, 6MM .....	-	-	0	-	-	94050-06000	QKW1, QKW3
	27		SPRING, CONTROL ADJUSTING ....	-	-	0	-	-	16584-883-300	VZE9
	28		SCREW, PAN, 5X35 .....	-	-	0	-	-	93500-05035-0A	VZE9
	30		HOLDER, CABLE .....	-	-	0	-	-	16617-ZJ1-840	QKW1, QKW3
E-22-3	1	16263-883-W10	JOINT, ROD .....	-	-	1	-	-		QKW1, QKW3
	2	16500-ZJ1-851	CONTROL ASSY. ....	-	-	1	-	-		QKW1, QKW3
	3	16534-ZJ1-840	SPRING, STARTER .....	-	-	1	-	-		QKW1, QKW3
	4	16551-ZJ1-840	ARM, GOVERNOR .....	-	-	1	-	-		QKW1, QKW3
	5	16555-ZJ1-840	ROD, GOVERNOR .....	-	-	1	-	-		QKW1, QKW3
	6	16561-ZJ1-850	SPRING, GOVERNOR (MANUAL) ....	-	-	1	-	-		QKW1, QKW3
	7	16562-ZJ1-840	SPRING, THROTTLE RETURN .....	-	-	1	-	-		QKW1, QKW3
	8	16570-ZJ1-851	ARM COMP., CONTROL .....	-	-	1	-	-		QKW1, QKW3
	9	16574-883-300	SPRING, LEVER .....	-	-	1	-	-		QKW1, QKW3
	10	16575-ZJ1-850	WASHER, CONTROL ARM .....	-	-	1	-	-		QKW1, QKW3
	11	16576-883-300	SPACER, CONTROL LEVER .....	-	-	2	-	-		QKW1, QKW3
	12	16584-883-300	SPRING, CONTROL ADJUSTING ....	-	-	2	-	-		QKW1, QKW3
	14	16611-ZJ1-840	ROD, CHOKE CONTROL .....	-	-	1	-	-		QKW1, QKW3
	15	16628-ZJ1-850	ROD, CHOKE KNOB .....	-	-	1	-	-		QKW1, QKW3
	16	17850-ZJ1-850	LEVER ASSY., THROTTLE .....	-	-	1	-	-		QKW1, QKW3
	17	17951-921-030	KNOB, CHOKE .....	-	-	1	-	-		QKW1, QKW3
	18	17957-ZV4-000	BUSH, LINKAGE .....	-	-	1	-	-		QKW1, QKW3
	19	90014-952-000	BOLT, FLANGE, 6X14 (CT200) ....	-	-	2	-	-		QKW1, QKW3

NOTE A:PART NO. CHANGE D:NEWLY PROVIDED E:PART NO.DELETION K:REQUIRED NO. CORRECTION L:APPLICATION SERIAL NO. CORRECTION  
T:APPLICATION CORRECTION Z:REMARKS CHANGE

## PARTS CATALOGUE NEWS

BOOKNo. : 13ZJ10E7

Block No.	Ref. No.	Part No.	Description	Reqd. QTY					Base Part No.	Parts catalogue code
				GX 620 (1)	GX 620 (2)	GX 620 K1 (1)	GX 620 (3)	GX 620 K1 (2)		
	20	90015-ZE3-790	BOLT, GOVERNOR ARM .....	-	-	1	-	-		QKW1, QKW3
	21	90114-SA0-000	NUT, SELF-LOCK, 6MM .....	-	-	1	-	-		QKW1, QKW3
	22	92301-05025-0A	BOLT, RECESSED, 5X25 .....	-	-	1	-	-		QKW1, QKW3
	23	93500-05025-0A	SCREW, PAN, 5X25 .....	-	-	1	-	-		QKW1, QKW3
	24	94050-06000	NUT, FLANGE, 6MM .....	-	-	1	-	-		QKW1, QKW3
	25	94251-10000	PIN, LOCK, 10MM .....	-	-	1	-	-		QKW1, QKW3
E-23	1	31612-ZE2-003	CASE, CONTROL .....	-	-	1	-	-		QKW1
	2	31614-ZE2-003	BRACKET, CASE MOUNTING .....	-	-	1	-	-		QKW1
	3		RECTIFIER ASSY., REGULATOR (20A) .....	-	-	0	-	-	31620-ZG5-013	QKW1
	4	31710-ZJ1-811	RECTIFIER ASSY. ....	-	-	1	-	-		QKW1
	5	32103-759-000	BRACKET, WIRE HARNESS CLIP ...	-	-	1	-	-		QKW1
	6		HARNESS ASSY., SUB WIRE .....	-	-	0	-	-	32105-ZJ1-800	QKW1
	7	32340-ZJ1-842	BOX ASSY., CONTROL .....	-	-	1	-	-		QKW1
	8	32345-ZJ1-812	PANEL COMP., CONTROL .....	-	-	1	-	-		QKW1
	9	32349-ZJ1-840	STAY, CONTROL BOX .....	-	-	1	-	-		QKW1
	10	32902-892-003	BAND .....	-	-	1	-	-		QKW1
	11	35100-ZJ1-841	SWITCH ASSY., COMBINATION ....	-	-	1	-	-		QKW1
	12		KEY COMP. ....	-	-	0	-	-	35111-880-013	VZE9
		35111-880-013	.....	-	-	2	-	-		QKW1
	13	36103-ZE1-000	HOLDER, STOP SWITCH CORD .....	-	-	1	-	-		QKW1
	14	87529-ZE2-861	MARK, CONTROL BOX (EXTERNAL-REGULATOR) .....	-	-	1	-	-		QKW1
	15	90380-MA6-010	SCREW, SPECIAL, 6X12 .....	-	-	1	-	-		QKW1
	16	90676-SA8-003	BAND, WIRE HARNESS, 150MM (BLUE) .....	-	-	1	-	-		QKW1

NOTE A:PART NO. CHANGE D:NEWLY PROVIDED E:PART NO.DELETION K:REQUIRED NO. CORRECTION L:APPLICATION SERIAL NO. CORRECTION  
T:APPLICATION CORRECTION Z:REMARKS CHANGE



## PARTS CATALOGUE NEWS

BOOKNo. : 13ZJ10E7

Block No.	Ref. No.	Part No.	Description	Reqd. QTY					Base Part No.	Parts catalogue code
				GX 620 (1)	GX 620 (2)	GX 620 K1 (1)	GX 620 (3)	GX 620 K1 (2)		
	17	91408-ZJ1-810	TUBE, CORD, 30MM .....	-	-	1	-	-	QKW1	
	18	93500-04012-0H	SCREW, PAN, 4X12 .....	-	-	1	-	-	QKW1	
	19	94001-04080-0S	NUT, HEX., 4MM .....	-	-	1	-	-	QKW1	
	20	94111-04800	WASHER, SPRING, 4MM .....	-	-	1	-	-	QKW1	
	21	95701-06010-00	BOLT, FLANGE, 6X10 .....	-	-	1	-	-	QKW1	
	22	95701-06012-00	BOLT, FLANGE, 6X12 .....	-	-	2	-	-	QKW1	
	23	95701-06032-00	BOLT, FLANGE, 6X32 .....	-	-	1	-	-	QKW1	
	24	98200-32500	FUSE, BLADE (25A) .....	-	-	1	-	-	QKW1	
	26	91504-750-003	CLIP, WIRE HARNESS .....	-	-	1	-	-	QKW1	
	27	32171-GJ1-003	CLIP, WIRE HARNESS .....	-	-	1	-	-	QKW1	
	29	32823-ZV5-003	PLUG, INNER CONNECTOR .....	-	-	1	-	-	QKW1	
E-28-1	8	87532-ZH7-800	MARK, THROTTLE INDICATION ....	-	-	1	-	-	QKW3	
		87532-ZJ1-840	.....	-	-	1	-	-	QKW1	
	11		MARK, CAUTION (ENGLISH/FRENCH/SPANISH)	-	-	0	-	-	87522-883-660 VZE9	
	15		MARK, CAUTION (ENGLISH/FRENCH/SPANISH)	-	-	0	-	-	87561-880-600 VZE9	
	28		LABEL, E-SPEC (15.5X27.5) ....	-	-	0	-	-	87135-ZE2-020 VZE9	
	29	87114-ZH7-000	LABEL, WARNING (NOT CERTIFIED FOR SALE)	-	-	1	-	-	QKW1	
	30	87516-ZM7-801	MARK, OPERATOR CAUTION .....	-	-	1	-	-	QKW2, QKW3	
	31	87101-ZJ1-P30	MARK, EMBLEM .....	-	-	1	-	-	QKW1	
E-29	1		WRENCH, PLUG .....	-	-	0	-	-	89216-ZB4-000 VZE9	
		89216-ZB4-000	.....	-	-	1	-	-	QKW1	
E-40	24	95002-40850-08	CLAMP, TUBE (D8.5) .....	-	-	4	-	-	VZE9	
	25	89216-ZB4-000	WRENCH, PLUG .....	-	-	1	-	-	VZE9	

NOTE A:PART NO. CHANGE D:NEWLY PROVIDED E:PART NO.DELETION K:REQUIRED NO. CORRECTION L:APPLICATION SERIAL NO. CORRECTION  
T:APPLICATION CORRECTION Z:REMARKS CHANGE

PARTS CATALOGUE NEWS

BOOKNo. : 13ZJ10E7

Block No.	Ref. No.	Part No.	Description	Reqd. QTY					Base Part No.	Parts catalogue code
				GX 620 (1)	GX 620 (2)	GX 620 K1 (1)	GX 620 (3)	GX 620 K1 (2)		
E-40-4	4	16910-ZE8-015	STRAINER COMP., FUEL .....	-	-	1	-	-	VZE9	

NOTE A:PART NO. CHANGE D:NEWLY PROVIDED E:PART NO.DELETION K:REQUIRED NO. CORRECTION L:APPLICATION SERIAL NO. CORRECTION  
T:APPLICATION CORRECTION Z:REMARKS CHANGE



# PARTS CATALOGUE NEWS

Honda Motor Co., Ltd. Service Division

## PARTS CATALOGUE - CORRECTED

Printed in Japan

CODE NO.	BOOKLET TYPE	13ZJ10E7
	MICRO-FICHE	13ZJ10EG/FG
PARTS CATALOGUE NEWS	GX620 GX620K1 GX620 [PROPANE ENGINE] GX620K1 [PROPANE ENGINE]	
NEWS NO.	017	

Block No.	Ref. No.	Note	Part No.	Description	Reqd. QTY					Serial No.	Parts catalogue code	
					GX 620 (1)	GX 620 (2)	GX 620 K1 (1)	GX 620 (3)	GX 620 K1 (2)			
E-3-1	10	L	37240-ZG5-004	SWITCH, OIL PRESSURE .....	-	-	1	-	-	-----	2170767	QKW
					-	-	1	-	-	2161297	-----	QAD2/A, QAF/A, QAF1/A, QAF2/A, QAF9/A, QDP2/A, QYD/A, QYF/A, SAF1/A, VAB2/A, VAB3/A, VAF/A, VAF6/A
					-	-	1	-	-	2161297	2170767	QAF5/A, QAF6/A, QAF7/A, QAF8/A, SAE1/A, SYA/A
					-	-	-	-	1	1010129	-----	VXC/A
					-	-	1	-	-	-----	-----	QKW1, QKW2
11			90002-ZG5-004	SCREW-WASHER, 4X8 .....	-	-	1	-	-	2170768	-----	QAF5/A, QAF6/A, QAF7/A, QAF8/A, QKW, SAE1/A, SYA/A
					-	-	1	-	1	-----	-----	QAD2, QAD2/A, QAF, QAF/A, QAF1, QAF1/A, QAF2, QAF2/A, QAF5, QAF6, QAF7, QAF8, QAF9, QAF9/A, QDP2, QDP2/A, QYD, QYD/A, QYF, QYF/A, SAE1, SAF1, SAF1/A, SYA, VAB2, VAB2/A, VAF, VAF/A, VAF6, VAF6/A, VXC, VXC/A, VYE3, VYE3/A
					-	-	1	-	-	-----	2170767	QAF5/A, QAF6/A, QAF7/A, QAF8/A, QKW, SAE1/A, SYA/A
	A		90002-ZW2-F01	.....	-	-	1	-	-	2170768	-----	QAF5/A, QAF6/A, QAF7/A, QAF8/A, QKW, SAE1/A, SYA/A

NOTE A:PART NO. CHANGE D:NEWLY PROVIDED E:PART NO.DELETION K:REQUIRED NO. CORRECTION L:APPLICATION SERIAL NO. CORRECTION  
 T:APPLICATION CORRECTION Z:REMARKS CHANGE



# PARTS CATALOGUE NEWS

Honda Motor Co., Ltd. Service Division

## PARTS CATALOGUE - CORRECTED

Printed in Japan

CODE NO.	BOOKLET TYPE	13ZJ10E7
	MICRO- FICHE	13ZJ10EG/FG
PARTS CATALOGUE NEWS	GX620 GX620K1 GX620 [PROPANE ENGINE] GX620K1 [PROPANE ENGINE]	
NEWS NO.	018	

Block No.	Ref. No.	Note	Part No.	Description	Reqd. QTY					Serial No.	Parts catalogue code
					GX 620 (1)	GX 620 (2)	GX 620 K1 (1)	GX 620 (3)	GX 620 K1 (2)		
E-28-1	29	T	87114-ZH7-000	LABEL, WARNING (NOT CERTIFIED FOR SALE)	-	-	1	-	-	-----	QAF5/A, QAF6/A, QAF7/A, QAF8/A, QAX1/A, QKW, QKW1, QKW2, QKW3, QXE1/A, QXE5/A, QZD/A, QZX1/A, SAE1/A, VYA3/A, VYE3/A, VZE7/A, VZE8/A, VZE9
					-	-	1	-	-	2139610	QAF5, QAF6, QAF7, QAF8, QAX1, QXE1, QXE5, QZD, QZX1, SAE1, VYA3, VYE3, VZE7, VZE8
	30	T	87516-ZM7-801	MARK, OPERATOR CAUTION .....	-	-	1	-	-	-----	QKW1, QKW2, QKW3, VZE9

NOTE A:PART NO. CHANGE D:NEWLY PROVIDED E:PART NO.DELETION K:REQUIRED NO. CORRECTION L:APPLICATION SERIAL NO. CORRECTION  
T:APPLICATION CORRECTION Z:REMARKS CHANGE



# PARTS CATALOGUE NEWS

Honda Motor Co., Ltd. Service Division

## PARTS CATALOGUE - CORRECTED

Printed in Japan

CODE NO.	BOOKLET TYPE	13ZJ10E7
	MICRO- FICHE	13ZJ10EG/FG
PARTS CATALOGUE NEWS	GX620 GX620K1 GX620 [PROPANE ENGINE] GX620K1 [PROPANE ENGINE]	
NEWS NO.	019	

Block No.	Ref. No.	Note	Part No.	Description	Reqd. QTY					Serial No.	Parts catalogue code
					GX 620 (1)	GX 620 (2)	GX 620 K1 (1)	GX 620 (3)	GX 620 K1 (2)		
E-6-1	1	L	11300-ZJ1-842	COVER ASSY., CRANKCASE .....	-	-	1	-	-	----- 2170463	QKW
					-	-	1	-	-	2161753 2170463	QAB/A, QAB6/A, QAD2/A, QAF/A, QAF1/A, QAF2/A, QAF5/A QAF6/A, QAF7/A, QAF8/A, QAF9/A, QAX1/A, QDF/A QDF6/A, QDP2/A, QDW/A, QWA6/A, QWF6/A, QXA/A, QXA3/A QXA6/A, QXB1/A, QXC2/A, QXE1/A, QXE4/A, QXE5/A QXE7/A, QXE8/A, QXF/A, QXF4/A, QXF6/A, QXF8/A QXW2/A, QXW4/A, QYA/A, QYD/A, QYF/A, QZB/A, QZB2/A QZB3/A, QZD/A, QZE3/A, QZE4/A, QZF1/A, QZF2/A QZF8/A, QZX1/A, QZX4/A, QZX5/A, TXF2/A, VAB2/A VAF/A, VAF6/A, VDB2/A, VDC2/A, VEP4/A, VXA1/A VXA4/A, VXA5/A, VXA6/A, VXD4/A, VXE1/A, VXE2/A VXE4/A, VXE8/A, VXF/A, VXF4/A, VXP2/A, VXZ4/A VYA3/A, VYE3/A
					-	-	-	-	1	----- 1010192	VXC/A, VXC1/A, VXC2/A
		T	11300-ZJ1-843	.....	-	-	1	-	-	-----	QKW1, QKW2, QKW3

NOTE A:PART NO. CHANGE D:NEWLY PROVIDED E:PART NO.DELETION K:REQUIRED NO. CORRECTION L:APPLICATION SERIAL NO. CORRECTION  
 T:APPLICATION CORRECTION Z:REMARKS CHANGE

PARTS CATALOGUE NEWS

BOOKNo. : 13ZJ10E7

Block No.	Ref. No.	Note	Part No.	Description	Reqd. QTY					Serial No.	Parts catalogue code	
					GX 620	GX 620	GX 620 K1	GX 620	GX 620 K1			
					(1)	(2)	(1)	(3)	(2)			
					-	-	1	-	-	2170464	-----	QAB/A, QAB6/A, QAD2/A, QAF/A, QAF1/A, QAF2/A, QAF5/A, QAF6/A, QAF7/A, QAF8/A, QAF9/A, QAX1/A, QDF/A, QDF6/A, QDP2/A, QDW/A, QKW, QWA6/A, QWF6/A, QXA/A, QXA3/A, QXA6/A, QXB1/A, QXC2/A, QXE1/A, QXE4/A, QXE5/A, QXE7/A, QXE8/A, QXF/A, QXF4/A, QXF6/A, QXF8/A, QXW2/A, QXW4/A, QYA/A, QYD/A, QYF/A, QZB/A, QZB2/A, QZB3/A, QZD/A, QZE3/A, QZE4/A, QZF1/A, QZF2/A, QZF8/A, QZX1/A, QZX4/A, QZX5/A, TXF2/A, VAB2/A, VAF/A, VAF6/A, VDB2/A, VDC2/A, VEP4/A, VXA1/A, VXA4/A, VXA5/A, VXA6/A, VXD4/A, VXE1/A, VXE2/A, VXE4/A, VXE8/A, VXF/A, VXF4/A, VXP2/A, VXZ4/A, VYA3/A, VYE3/A
					-	-	-	-	1	1010193	-----	VXC/A, VXC1/A, VXC2/A
	4	L	15120-ZJ1-000	COVER ASSY. , OIL PUMP (TWO BOLTS)	-	-	1	-	1	-----	-----	QAB, QAB6, QAD2, QAF, QAF1, QAF2, QAF5, QAF6, QAF7, QAF8, QAF9, QAX1, QDF, QDF6, QDP2, QDW, QWA6, QWF6, QXA, QXA3, QXA6, QXB1, QXC2, QXE1, QXE4, QXE5, QXE7, QXE8, QXF, QXF3, QXF4, QXF6, QXF8, QXW2, QXW4, QYA, QYD, QYF, QZB, QZB2, QZB3, QZD, QZE3, QZE4, QZF1, QZF2, QZF8, QZX1, QZX4, QZX5, SAE1, SAF1, SYA, TXF2, VAB2, VAB3, VAF, VAF6, VDB2, VDC2, VEP4, VXA1, VXA4, VXA5, VXA6, VXC, VXC1, VXC2, VXD4, VXE1, VXE2, VXE4, VXE8, VXF, VXF4, VXP2, VXZ4, VYA1, VYA3, VYE3, VZA1, VZE7, VZE8
					-	-	1	-	-	-----	2170457	SAE1/A, SAF1/A, SYA/A, VAB3/A, VZE7/A, VZE8/A
					-	-	1	-	-	-----	2170463	QAB/A, QAB6/A, QAD2/A, QAF/A, QAF1/A, QAF2/A, QAF5/A, QAF6/A, QAF7/A, QAF8/A, QAF9/A, QAX1/A, QDF/A, QDF6/A, QDP2/A, QDW/A, QKW, QWA6/A, QWF6/A, QXA/A, QXA3/A, QXA6/A, QXB1/A, QXC2/A, QXE1/A, QXE4/A, QXE5/A, QXE7/A, QXE8/A, QXF/A, QXF4/A, QXF6/A, QXF8/A, QXW2/A, QXW4/A, QYA/A, QYD/A, QYF/A, QZB/A, QZB2/A, QZB3/A, QZD/A, QZE3/A, QZE4/A, QZF1/A, QZF2/A, QZF8/A, QZX1/A, QZX4/A, QZX5/A, TXF2/A, VAB2/A, VAF/A, VAF6/A, VDB2/A, VDC2/A, VEP4/A, VXA1/A, VXA4/A, VXA5/A, VXA6/A, VXD4/A, VXE1/A, VXE2/A, VXE4/A, VXE8/A, VXF/A, VXF4/A, VXP2/A, VXZ4/A, VYA3/A, VYE3/A
					-	-	-	-	1	-----	1010192	VXC/A, VXC1/A, VXC2/A
	T		15120-ZJ1-010	COVER ASSY. , OIL PUMP (THREE BOLTS)	-	-	1	-	-	-----	-----	QKW1, QKW2, QKW3, VZE9
					-	-	1	-	-	2170458	-----	SAE1/A, SAF1/A, SYA/A, VAB3/A, VZE7/A, VZE8/A

NOTE A:PART NO. CHANGE D:NEWLY PROVIDED E:PART NO.DELETION K:REQUIRED NO. CORRECTION L:APPLICATION SERIAL NO. CORRECTION  
T:APPLICATION CORRECTION Z:REMARKS CHANGE

PARTS CATALOGUE NEWS

BOOKNo. : 13ZJ10E7

Block No.	Ref. No.	Note	Part No.	Description	Reqd. QTY					Serial No.	Parts catalogue code	
					GX 620	GX 620	GX 620 K1	GX 620	GX 620 K1			
					(1)	(2)	(1)	(3)	(2)			
					-	-	1	-	-	2170464	-----	QAB/A, QAB6/A, QAD2/A, QAF/A, QAF1/A, QAF2/A, QAF5/A, QAF6/A, QAF7/A, QAF8/A, QAF9/A, QAX1/A, QDF/A, QDF6/A, QDP2/A, QDW/A, QKW, QWA6/A, QWF6/A, QXA/A, QXA3/A, QXA6/A, QXB1/A, QXC2/A, QXE1/A, QXE4/A, QXE5/A, QXE7/A, QXE8/A, QXF/A, QXF4/A, QXF6/A, QXF8/A, QXW2/A, QXW4/A, QYA/A, QYD/A, QYF/A, QZB/A, QZB2/A, QZB3/A, QZD/A, QZE3/A, QZE4/A, QZF1/A, QZF2/A, QZF8/A, QZX1/A, QZX4/A, QZX5/A, TXF2/A, VAB2/A, VAF/A, VAF6/A, VDB2/A, VDC2/A, VEP4/A, VXA1/A, VXA4/A, VXA5/A, VXA6/A, VXD4/A, VXE1/A, VXE2/A, VXE4/A, VXE8/A, VXF/A, VXF4/A, VXP2/A, VXZ4/A, VYA3/A, VYE3/A
					-	-	-	-	1	1010193	-----	VXC/A, VXC1/A, VXC2/A
	31	L	96600-06016-00	BOLT, SOCKET, 6X16 .....	-	-	2	-	2	-----	-----	QAB, QAB6, QAD2, QAF, QAF1, QAF2, QAF5, QAF6, QAF7, QAF8, QAF9, QAX1, QDF, QDF6, QDP2, QDW, QKW1, QKW2, QKW3, QWA6, QWF6, QXA, QXA3, QXA6, QXB1, QXC2, QXE1, QXE4, QXE5, QXE7, QXE8, QXF, QXF3, QXF4, QXF6, QXF8, QXW2, QXW4, QYA, QYD, QYF, QZB, QZB2, QZB3, QZD, QZE3, QZE4, QZF1, QZF2, QZF8, QZX1, QZX4, QZX5, SAE1, SAF1, SYA, TXF2, VAB2, VAB3, VAF, VAF6, VDB2, VDC2, VEP4, VXA1, VXA4, VXA5, VXA6, VXC, VXC1, VXC2, VXD4, VXE1, VXE2, VXE4, VXE8, VXF, VXF4, VXP2, VXZ4, VYA1, VYA3, VYE3, VZA1, VZE7, VZE8, VZE9
					-	-	2	-	-	-----	2170457	SAE1/A, SAF1/A, SYA/A, VAB3/A, VZE7/A, VZE8/A
					-	-	2	-	-	-----	2170463	QAB/A, QAB6/A, QAD2/A, QAF/A, QAF1/A, QAF2/A, QAF5/A, QAF6/A, QAF7/A, QAF8/A, QAF9/A, QAX1/A, QDF/A, QDF6/A, QDP2/A, QDW/A, QKW, QWA6/A, QWF6/A, QXA/A, QXA3/A, QXA6/A, QXB1/A, QXC2/A, QXE1/A, QXE4/A, QXE5/A, QXE7/A, QXE8/A, QXF/A, QXF4/A, QXF6/A, QXF8/A, QXW2/A, QXW4/A, QYA/A, QYD/A, QYF/A, QZB/A, QZB2/A, QZB3/A, QZD/A, QZE3/A, QZE4/A, QZF1/A, QZF2/A, QZF8/A, QZX1/A, QZX4/A, QZX5/A, TXF2/A, VAB2/A, VAF/A, VAF6/A, VDB2/A, VDC2/A, VEP4/A, VXA1/A, VXA4/A, VXA5/A, VXA6/A, VXD4/A, VXE1/A, VXE2/A, VXE4/A, VXE8/A, VXF/A, VXF4/A, VXP2/A, VXZ4/A, VYA3/A, VYE3/A
					-	-	-	-	2	-----	1010192	VXC/A, VXC1/A, VXC2/A
	T		96600-06016-00	.....	-	-	3	-	-	2170458	-----	SAE1/A, SAF1/A, SYA/A, VAB3/A, VZE7/A, VZE8/A

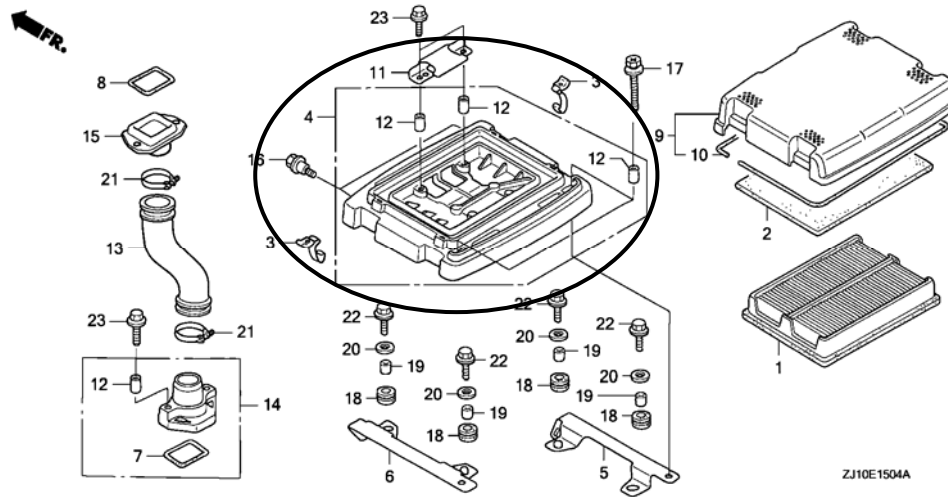
NOTE A:PART NO. CHANGE D:NEWLY PROVIDED E:PART NO.DELETION K:REQUIRED NO. CORRECTION L:APPLICATION SERIAL NO. CORRECTION  
T:APPLICATION CORRECTION Z:REMARKS CHANGE

PARTS CATALOGUE NEWS

BOOKNo. : 13ZJ10E7

Block No.	Ref. No.	Note	Part No.	Description	Reqd. QTY					Serial No.	Parts catalogue code	
					GX 620	GX 620	GX 620 K1	GX 620	GX 620 K1			
					(1)	(2)	(1)	(3)	(2)			
					-	-	3	-	-	2170464	-----	QAB/A, QAB6/A, QAD2/A, QAF/A, QAF1/A, QAF2/A, QAF5/A, QAF6/A, QAF7/A, QAF8/A, QAF9/A, QAX1/A, QDF/A, QDF6/A, QDP2/A, QDW/A, QKW, QWA6/A, QWF6/A, QXA/A, QXA3/A, QXA6/A, QXB1/A, QXC2/A, QXE1/A, QXE4/A, QXE5/A, QXE7/A, QXE8/A, QXF/A, QXF4/A, QXF6/A, QXF8/A, QXW2/A, QXW4/A, QYA/A, QYD/A, QYF/A, QZB/A, QZB2/A, QZB3/A, QZD/A, QZE3/A, QZE4/A, QZF1/A, QZF2/A, QZF8/A, QZX1/A, QZX4/A, QZX5/A, TXF2/A, VAB2/A, VAF/A, VAF6/A, VDB2/A, VDC2/A, VEP4/A, VXA1/A, VXA4/A, VXA5/A, VXA6/A, VXD4/A, VXE1/A, VXE2/A, VXE4/A, VXE8/A, VXF/A, VXF4/A, VXP2/A, VXZ4/A, VYA3/A, VYE3/A
					-	-	3	-	-	1010193	-----	VXC/A, VXC1/A, VXC2/A

E-15-4 AIR CLEANER (5)



E-15-4	12	K	17238-ZJ4-830	COLLAR A, AIR CLEANER .....	-	-	6	-	-	-----	-----	QXE7, QXE7/A, QXE8, QXE8/A, QXF8, QXF8/A, QXW2, QXW2/A, QXW4, QXW4/A
--------	----	---	---------------	-----------------------------	---	---	---	---	---	-------	-------	--

NOTE A:PART NO. CHANGE D:NEWLY PROVIDED E:PART NO.DELETION K:REQUIRED NO. CORRECTION L:APPLICATION SERIAL NO. CORRECTION  
T:APPLICATION CORRECTION Z:REMARKS CHANGE





# PARTS CATALOGUE NEWS

Honda Motor Co., Ltd. Service Division

## PARTS CATALOGUE - CORRECTED

Printed in Japan

CODE NO.	BOOKLET TYPE	13ZJ10E7
	MICRO- FICHE	13ZJ10EG/FG
PARTS CATALOGUE NEWS	GX620 GX620K1 GX620 [PROPANE ENGINE] GX620K1 [PROPANE ENGINE]	
NEWS NO.	020	

Block No.	Ref. No.	Note	Part No.	Description	Reqd. QTY					Serial No.	Parts catalogue code
					GX 620 (1)	GX 620 (2)	GX 620 K1 (1)	GX 620 (3)	GX 620 K1 (2)		
E-2-1	8	T	12311-ZJ1-840	COVER, HEAD .....	-	-	1	-	-	-----	QAB, QAB/A, QAB6, QAB6/A, QAD2, QAD2/A, QAF, QAF/A QAF1, QAF1/A, QAF2, QAF2/A, QAF5, QAF5/A, QAF6 QAF6/A, QAF7, QAF7/A, QAF8, QAF8/A, QAF9, QAF9/A QAX1, QAX1/A, QDF, QDF/A, QDF6, QDF6/A, QDP2, QDW QDW/A, QKW, QKW1, QKW2, QKW3, QWA6, QWA6/A, QWF6 QWF6/A, QXA, QXA/A, QXA3, QXA3/A, QXA6, QXA6/A, QXB1 QXB1/A, QXC2, QXC2/A, QXE1, QXE1/A, QXE4, QXE4/A QXE5, QXE5/A, QXE7, QXE7/A, QXE8, QXE8/A, QXF, QXF/A QXF3, QXF4, QXF4/A, QXF6, QXF6/A, QXF8, QXF8/A, QXW2 QXW2/A, QXW4, QXW4/A, QYA, QYA/A, QYD, QYD/A, QYF QYF/A, QZB, QZB/A, QZB2, QZB2/A, QZB3, QZB3/A, QZD QZD/A, QZE3, QZE3/A, QZE4, QZE4/A, QZF1, QZF1/A, QZF2 QZF2/A, QZF8, QZF8/A, QZX1, QZX1/A, QZX4, QZX4/A QZX5, QZX5/A, SAE1, SAE1/A, SAF1, SAF1/A, SYA, SYA/A TXF2, TXF2/A, VAB2, VAB2/A, VAB3, VAB3/A, VAF, VAF/A VAF6, VAF6/A, VDB2, VDB2/A, VDC2, VDC2/A, VEP4 VEP4/A, VXA1, VXA1/A, VXA4, VXA4/A, VXA5, VXA5/A VXA6, VXA6/A, VXD4, VXD4/A, VXE1, VXE1/A, VXE2 VXE2/A, VXE4, VXE4/A, VXE8, VXE8/A, VXF, VXF/A, VXF4 VXF4/A, VXP2, VXP2/A, VXZ4, VXZ4/A, VYA1, VYA3 VYA3/A, VYE3, VYE3/A, VZA1
		T	12314-ZJ1-840	COVER, HEAD FILLER .....	-	-	1	-	-	-----	QDP2/A, VZE7, VZE7/A, VZE8, VZE8/A, VZE9

NOTE A:PART NO. CHANGE D:NEWLY PROVIDED E:PART NO. DELETION K:REQUIRED NO. CORRECTION L:APPLICATION SERIAL NO. CORRECTION  
 T:APPLICATION CORRECTION Z:REMARKS CHANGE

PARTS CATALOGUE NEWS

BOOKNo. : 13ZJ10E7

Block No.	Ref. No.	Note	Part No.	Description	Reqd. QTY					Serial No.	Parts catalogue code	
					GX 620	GX 620	GX 620	GX 620	GX 620			
					(1)	(2)	(1)	(3)	(2)			
	9	T	12314-ZJ1-840	COVER, HEAD FILLER .....	-	-	1	-	-	-----	-----	QAB, QAB/A, QAB6, QAB6/A, QAD2, QAD2/A, QAF, QAF/A, QAF1, QAF1/A, QAF2, QAF2/A, QAF5, QAF5/A, QAF6, QAF6/A, QAF7, QAF7/A, QAF8, QAF8/A, QAF9, QAF9/A, QAX1, QAX1/A, QDF, QDF/A, QDF6, QDF6/A, QDP2, QDW, QDW/A, QKW, QKW1, QKW2, QKW3, QWA6, QWA6/A, QWF6, QWF6/A, QXA, QXA/A, QXA3, QXA3/A, QXA6, QXA6/A, QXB1, QXB1/A, QXC2, QXC2/A, QXE1, QXE1/A, QXE4, QXE4/A, QXE5, QXE5/A, QXE7, QXE7/A, QXE8, QXE8/A, QXF, QXF/A, QXF3, QXF4, QXF4/A, QXF6, QXF6/A, QXF8, QXF8/A, QXW2, QXW2/A, QXW4, QXW4/A, QYA, QYA/A, QYD, QYD/A, QYF, QYF/A, QZB, QZB/A, QZB2, QZB2/A, QZB3, QZB3/A, QZD, QZD/A, QZE3, QZE3/A, QZE4, QZE4/A, QZF1, QZF1/A, QZF2, QZF2/A, QZF8, QZF8/A, QZX1, QZX1/A, QZX4, QZX4/A, QZX5, QZX5/A, SAE1, SAE1/A, SAF1, SAF1/A, SYA, SYA/A, TXF2, TXF2/A, VAB2, VAB2/A, VAB3, VAB3/A, VAF, VAF/A, VAF6, VAF6/A, VDB2, VDB2/A, VDC2, VDC2/A, VEP4, VEP4/A, VXA1, VXA1/A, VXA4, VXA4/A, VXA5, VXA5/A, VXA6, VXA6/A, VXD4, VXD4/A, VXE1, VXE1/A, VXE2, VXE2/A, VXE4, VXE4/A, VXE8, VXE8/A, VXF, VXF/A, VXF4, VXF4/A, VXP2, VXP2/A, VXZ4, VXZ4/A, VYA1, VYA3, VYA3/A, VYE3, VYE3/A, VZA1, VZE9
		T	12311-ZJ1-840	COVER, HEAD .....	-	-	1	-	-	-----	-----	QDP2/A, VZE7, VZE7/A, VZE8, VZE8/A
	11	T	15611-MB0-000	CAP, OIL FILLER .....	-	-	1	-	-	-----	-----	QAB, QAB/A, QAB6, QAB6/A, QAD2, QAD2/A, QAF, QAF/A, QAF1, QAF1/A, QAF2, QAF2/A, QAF5, QAF5/A, QAF6, QAF6/A, QAF7, QAF7/A, QAF8, QAF8/A, QAF9, QAF9/A, QAX1, QAX1/A, QDF, QDF/A, QDF6, QDF6/A, QDP2, QDW, QDW/A, QKW, QKW1, QKW2, QKW3, QWA6, QWA6/A, QWF6, QWF6/A, QXA, QXA/A, QXA3, QXA3/A, QXA6, QXA6/A, QXB1, QXB1/A, QXC2, QXC2/A, QXE1, QXE1/A, QXE4, QXE4/A, QXE5, QXE5/A, QXE7, QXE7/A, QXE8, QXE8/A, QXF, QXF/A, QXF3, QXF4, QXF4/A, QXF6, QXF6/A, QXF8, QXF8/A, QXW2, QXW2/A, QXW4, QXW4/A, QYA, QYA/A, QYD, QYD/A, QYF, QYF/A, QZB, QZB/A, QZB2, QZB2/A, QZB3, QZB3/A, QZD, QZD/A, QZE3, QZE3/A, QZE4, QZE4/A, QZF1, QZF1/A, QZF2, QZF2/A, QZF8, QZF8/A, QZX1, QZX1/A, QZX4, QZX4/A, QZX5, QZX5/A, SAE1, SAE1/A, SAF1, SAF1/A, SYA, SYA/A, TXF2, TXF2/A, VAB2, VAB2/A, VAB3, VAB3/A, VAF, VAF/A, VAF6, VAF6/A, VDB2, VDB2/A, VDC2, VDC2/A, VEP4, VEP4/A, VXA1, VXA1/A, VXA4, VXA4/A, VXA5, VXA5/A, VXA6, VXA6/A, VXD4, VXD4/A, VXE1, VXE1/A, VXE2, VXE2/A, VXE4, VXE4/A, VXE8, VXE8/A, VXF, VXF/A, VXF4, VXF4/A, VXP2, VXP2/A, VXZ4, VXZ4/A, VYA1, VYA3, VYA3/A, VYE3, VYE3/A, VZA1, VZE9

NOTE A:PART NO. CHANGE D:NEWLY PROVIDED E:PART NO.DELETION K:REQUIRED NO. CORRECTION L:APPLICATION SERIAL NO. CORRECTION  
T:APPLICATION CORRECTION Z:REMARKS CHANGE

PARTS CATALOGUE NEWS

BOOKNo. : 13ZJ10E7

Block No.	Ref. No.	Note	Part No.	Description	Reqd. QTY					Serial No.	Parts catalogue code	
					GX 620	GX 620	GX 620 K1	GX 620	GX 620 K1			
					(1)	(2)	(1)	(3)	(2)			
	12	T	15625-ZJ1-840	PACKING, OIL FILLER CAP .....	-	-	1	-	-	-----	-----	QAB, QAB/A, QAB6, QAB6/A, QAD2, QAD2/A, QAF, QAF/A, QAF1, QAF1/A, QAF2, QAF2/A, QAF5, QAF5/A, QAF6, QAF6/A, QAF7, QAF7/A, QAF8, QAF8/A, QAF9, QAF9/A, QAX1, QAX1/A, QDF, QDF/A, QDF6, QDF6/A, QDP2, QDW, QDW/A, QKW, QKW1, QKW2, QKW3, QWA6, QWA6/A, QWF6, QWF6/A, QXA, QXA/A, QXA3, QXA3/A, QXA6, QXA6/A, QXB1, QXB1/A, QXC2, QXC2/A, QXE1, QXE1/A, QXE4, QXE4/A, QXE5, QXE5/A, QXE7, QXE7/A, QXE8, QXE8/A, QXF, QXF/A, QXF3, QXF4, QXF4/A, QXF6, QXF6/A, QXF8, QXF8/A, QXW2, QXW2/A, QXW4, QXW4/A, QYA, QYA/A, QYD, QYD/A, QYF, QYF/A, QZB, QZB/A, QZB2, QZB2/A, QZB3, QZB3/A, QZD, QZD/A, QZE3, QZE3/A, QZE4, QZE4/A, QZF1, QZF1/A, QZF2, QZF2/A, QZF8, QZF8/A, QZX1, QZX1/A, QZX4, QZX4/A, QZX5, QZX5/A, SAE1, SAE1/A, SAF1, SAF1/A, SYA, SYA/A, TXF2, TXF2/A, VAB2, VAB2/A, VAB3, VAB3/A, VAF, VAF/A, VAF6, VAF6/A, VDB2, VDB2/A, VDC2, VDC2/A, VEP4, VEP4/A, VXA1, VXA1/A, VXA4, VXA4/A, VXA5, VXA5/A, VXA6, VXA6/A, VXD4, VXD4/A, VXE1, VXE1/A, VXE2, VXE2/A, VXE4, VXE4/A, VXE8, VXE8/A, VXF, VXF/A, VXF4, VXF4/A, VXP2, VXP2/A, VXZ4, VXZ4/A, VYA1, VYA3, VYA3/A, VYE3, VYE3/A, VZA1, VZE9
	27	T	15611-MB0-000	CAP, OIL FILLER .....	-	-	1	-	-	-----	-----	QDP2/A, VZE7, VZE7/A, VZE8, VZE8/A
	28	T	15625-ZJ1-840	PACKING, OIL FILLER CAP .....	-	-	1	-	-	-----	-----	QDP2/A, VZE7, VZE7/A, VZE8, VZE8/A
E-28-1	30	E	87637-ZM3-800	*PARTS NO. DELETION								

NOTE A:PART NO. CHANGE D:NEWLY PROVIDED E:PART NO. DELETION K:REQUIRED NO. CORRECTION L:APPLICATION SERIAL NO. CORRECTION  
T:APPLICATION CORRECTION Z:REMARKS CHANGE



# PARTS CATALOGUE NEWS

Honda Motor Co., Ltd. Service Division

## PARTS CATALOGUE - CORRECTED

Printed in Japan

CODE NO.	BOOKLET TYPE	13ZJ10E7
	MICRO-FICHE	13ZJ10EG/FG
PARTS CATALOGUE NEWS	GX620 GX620K1 GX620 [PROPANE ENGINE] GX620K1 [PROPANE ENGINE]	
NEWS NO.	021	

Block No.	Ref. No.	Note	Part No.	Description	Reqd. QTY					Serial No.	Parts catalogue code
					GX 620 (1)	GX 620 (2)	GX 620 K1 (1)	GX 620 (3)	GX 620 K1 (2)		
E-21-1	12	E	31216-ZJ1-H01	*PARTS NO. DELETION							
		D	31218-P64-N01	YOKE COMP. ....	-	-	1	-	-	-----	-----

QAB, QAB/A, QAB6, QAB6/A, QAD2, QAD2/A, QAF, QAF/A, QAF1, QAF1/A, QAF2, QAF2/A, QAF5, QAF5/A, QAF6, QAF6/A, QAF7, QAF7/A, QAF8, QAF8/A, QAF9, QAF9/A, QAX1, QAX1/A, QDF, QDF/A, QDF6, QDF6/A, QDP2, QDP2/A, QDW, QDW/A, QKW, QKW1, QKW2, QKW3, QWA6, QWA6/A, QWF6, QWF6/A, QXA, QXA/A, QXA3, QXA3/A, QXA6, QXA6/A, QXB1, QXB1/A, QXC2, QXC2/A, QXE1, QXE1/A, QXE4, QXE4/A, QXE5, QXE5/A, QXE7, QXE7/A, QXE8, QXE8/A, QXF, QXF/A, QXF3, QXF4, QXF4/A, QXF6, QXF6/A, QXF8, QXF8/A, QXW2, QXW2/A, QXW4, QXW4/A, QYA, QYA/A, QYD, QYD/A, QYF, QYF/A, QZB, QZB/A, QZB2, QZB2/A, QZB3, QZB3/A, QZD, QZD/A, QZE3, QZE3/A, QZE4, QZE4/A, QZF1, QZF1/A, QZF2, QZF2/A, QZF8, QZF8/A, SAE1, SAE1/A, SAF1, SAF1/A, SYA, SYA/A, TXF2, TXF2/A, VAB2, VAB2/A, VAB3, VAB3/A, VAF, VAF/A, VAF6, VAF6/A, VDB2, VDB2/A, VDC2, VDC2/A, VEP4, VEP4/A, VXA1, VXA1/A, VXA4, VXA4/A, VXA5, VXA5/A, VXA6, VXA6/A, VXD4, VXD4/A, VXE1, VXE1/A, VXE2, VXE2/A, VXE4, VXE4/A, VXE8, VXE8/A, VXF, VXF/A, VXF4, VXF4/A, VXP2, VXP2/A, VYA1, VYA1, VYA3, VYA3/A, VYE3, VYE3/A, VZA1, VZE7, VZE7/A, VZE8, VZE8/A, VZE9

- - - - - 1

NOTE A:PART NO. CHANGE D:NEWLY PROVIDED E:PART NO.DELETION K:REQUIRED NO. CORRECTION L:APPLICATION SERIAL NO. CORRECTION  
 T:APPLICATION CORRECTION Z:REMARKS CHANGE



# PARTS CATALOGUE NEWS

Honda Motor Co., Ltd. Service Division

December 17, 2006

CODE NO.	BOOKLET TYPE	13ZJ10E7
	MICRO- FICHE	13ZJ10EG/FG
PARTS CATALOGUE NEWS	GX620 GX620K1 GX620 [PROPANE ENGINE] GX620K1 [PROPANE ENGINE]	
NEWS NO.	022	

Printed in Japan

## GX620K1-VAY TYPE sales parts information

NOTE: This Parts Catalogue News explains only the parts of the different model that are produced to conform to addition of the GX620K1-VAY type.

As for the parts not listed on this Parts Catalogue News, use the parts of the GX620K1-QAF6 type.

- Models, parts catalogue codes and applicable serial numbers

Model	Type		Parts catalogue type	Applicable engine serial No.	Applicable carburetor identification No.
GX620K1	QAF6	Base type	QAF6	GCAD-2000001~2159999	BG22G A
	VAY	Additional type	VAY	GCAD-2160001~	BG22G B

• Features of each type		Base type	Additional type
Model		GX620K1	
Specifications		QAF6	VAY
Crankshaft	25mm Ø Straight (L=130.5)		
	25mm Ø Straight (L=133.5)		
	25.4mm Ø Straight (L=139.5)	●	
	25.4mm Ø Straight (L=142.5)		
	28.575mm Ø Straight (L=163.5)		
	28.575mm Ø Straight (L=166.5)		
	M10 Tapered (L=160)		
	M10 Tapered (L=163)		
	5/16" Tapered (L=160)		●
	5/16" Tapered (L=163)		
	3/8" Tapered (L=105.5)		
	7/16" Tapered (L=160)		
Oil alert			
Fuel tank			
Control box		●	●
Recoil starter			
Starter motor		●	●
Auto throttle			
Battery			
Oil cooler			
Winter kit			

## PARTS CATALOGUE NEWS

BOOKNo. : 13ZJ10E7

Block No.	Ref. No.	Part No.	Description	Reqd. QTY					Base Part No.	Parts catalogue code
				GX 620 (1)	GX 620 (2)	GX 620 K1 (1)	GX 620 (3)	GX 620 K1 (2)		
E-3-1	10	35490-Z6D-003	SWITCH ASSY., OIL PRESSURE ...	-	-	1	-	-	37240-ZG3-E01	
	11	90002-ZW2-F01	SCREW-WASHER, 4X8 .....	-	-	1	-	-	90002-ZG5-004	
E-6-1	1	11300-ZJ1-843	COVER ASSY., CRANKCASE .....	-	-	1	-	-	11300-ZJ1-841	
	4	15120-ZJ1-010	COVER ASSY., OIL PUMP (THREE BOLTS)	-	-	1	-	-	15120-ZJ1-000	
	31	96600-06016-00	BOLT, SOCKET, 6X16 .....	-	-	3	-	-	96600-06016-00	
E-7	2		CRANKSHAFT COMP. (L=139.5) ...	-	-	0	-	-	13310-ZJ1-840	
	3	13310-ZJ1-860	CRANKSHAFT COMP. (L=160) (5/16-24UNF2BTAP)	-	-	1	-	-		
E-8-1	7	90551-ZE1-000	CLIP, PISTON PIN, 18MM .....	-	-	4	-	-	94601-18000	
E-12-1	3		COVER, FAN *NH1*..... BLACK	-	-	0	-	-	19611-ZJ1-840ZA	
E-14-2	10	16100-ZJ1-842	CARBURETOR ASSY. (BG22G B) ...	-	-	1	-	-	16100-ZJ1-841	
E-16-1	2	18310-ZJ1-013	MUFFLER COMP. (HIGH) .....	-	-	(1)	-	-	18310-ZJ1-013	
	3	18321-ZJ1-003	PROTECTOR, MUFFLER (HIGH) ....	-	-	(1)	-	-	18321-ZJ1-003	
	5	18338-ZJ1-841	STAY, MUFFLER (HIGH) .....	-	-	(1)	-	-	18338-ZJ1-841	
	6	18396-ZJ1-003	BAND ASSY. ....	-	-	(1)	-	-	18396-ZJ1-003	
	7	95701-06008-00	BOLT, FLANGE, 6X8 .....	-	-	(6)	-	-	95701-06008-00	
	8	95701-08014-00	BOLT, FLANGE, 8X14 .....	-	-	(4)	-	-	95701-08014-00	
	9	95701-08020-00	BOLT, FLANGE, 8X20 .....	-	-	(4)	-	-	95701-08020-00	
	10	18330-ZJ1-851	PIPE COMP., EX. (HIGH-L) .....	-	-	(1)	-	-	18330-ZJ1-851	
E-16-2	2	18310-ZJ1-801	MUFFLER COMP. (SIDE-L) .....	-	-	(1)	-	-		
	3	18321-ZJ1-841	PROTECTOR, MUFFLER (SIDE-L) ..	-	-	(1)	-	-		
	4	18325-ZJ1-801	PROTECTOR, RR. MUFFLER (SIDE-L)	-	-	(1)	-	-		
	6	18338-ZJ1-851	STAY, MUFFLER (SIDE-L) .....	-	-	(1)	-	-		

PARTS CATALOGUE NEWS

BOOKNo. : 13ZJ10E7

Block No.	Ref. No.	Part No.	Description	Reqd. QTY					Base Part No.	Parts catalogue code
				GX 620 (1)	GX 620 (2)	GX 620 K1 (1)	GX 620 (3)	GX 620 K1 (2)		
	7	18396-ZJ1-003	BAND ASSY. ....	-	-	(1)	-	-		
	8	95701-06008-00	BOLT, FLANGE, 6X8 ....	-	-	(4)	-	-		
	9	95701-06008-00	BOLT, FLANGE, 6X8 ....	-	-	(3)	-	-		
	10	95701-08014-00	BOLT, FLANGE, 8X14 ....	-	-	(2)	-	-		
	11	95701-06050-00	BOLT, FLANGE, 6X50 ....	-	-	(1)	-	-		
	12	18330-ZJ1-861	PIPE COMP., EX. (SIDE=L) ....	-	-	(1)	-	-		
	13	18355-ZJ1-801	ARRESTER, SPARK ....	-	-	(1)	-	-		
	15	90009-ZJ1-801	SCREW, (NELSON) ....	-	-	(4)	-	-		
	17	95701-08050-00	BOLT, FLANGE, 8X50 ....	-	-	(1)	-	-		
E-18-1	14	95002-02080	CLIP, TUBE (B8) ....	-	-	1	-	-	95002-50000	
E-19	7	31110-ZJ1-850	FLYWHEEL COMP. ....	-	-	1	-	-	31110-ZJ1-840	
E-20	5	31630-ZJ1-003	COIL ASSY., CHARGE (12V/3A) ..	-	-	1	-	-		
	6		COIL ASSY., CHARGE (12V/20A) .	-	-	0	-	-	31630-ZJ1-801	
	9	90014-ZE6-000	BOLT, FLANGE, 6X35 (CT200) ....	-	-	2	-	-		
	10		BOLT, FLANGE, 6X32 ....	-	-	0	-	-	90031-ZE1-000	
	14	91504-750-003	CLIP, WIRE HARNESS ....	-	-	1	-	-		
E-22-3	2	16500-ZJ1-851	CONTROL ASSY. ....	-	-	1	-	-	16500-ZJ1-850	
	8	16570-ZJ1-851	ARM COMP., CONTROL ....	-	-	1	-	-	16570-ZJ1-850	
E-23	3		RECTIFIER ASSY., REGULATOR (20A)	-	-	0	-	-	31620-ZG5-013	
	4	31710-ZJ1-811	RECTIFIER ASSY. ....	-	-	1	-	-		
	6		HARNESS ASSY., SUB WIRE .....	-	-	0	-	-	32105-ZJ1-800	
	23	95701-06032-00	BOLT, FLANGE, 6X32 ....	-	-	1	-	-		
E-28-1	4		LABEL, SPECIFICATION (GX620) .	-	-	0	-	-	87152-ZJ1-010	
	17		MARK, FUEL WARNING ....	-	-	0	-	-	87106-737-J00	



## PARTS CATALOGUE NEWS

BOOKNo. : 13ZJ10E7

Block No.	Ref. No.	Part No.	Description	Reqd. QTY					Base Part No.	Parts catalogue code
				GX 620 (1)	GX 620 (2)	GX 620 K1 (1)	GX 620 (3)	GX 620 K1 (2)		
	18		MARK, CAUTION (JAPANESE) . . . . .	-	-	0	-	-	87150-ZH8-000	
	19		MARK, HEAT CAUTION . . . . .	-	-	0	-	-	87539-737-J00	
	20		MARK, EX. GAS WARNING . . . . .	-	-	0	-	-	87561-733-J00	
	28		LABEL, E-SPEC (15.5X27.5) . . . . .	-	-	0	-	-	87135-ZE2-020	



# PARTS CATALOGUE NEWS

Honda Motor Co., Ltd. Service Division

## PARTS CATALOGUE - CORRECTED

Printed in Japan

CODE NO.	BOOKLET TYPE	13ZJ10E7
	MICRO-FICHE	13ZJ10EG/FG
PARTS CATALOGUE NEWS	GX620 GX620K1 GX620 [PROPANE ENGINE] GX620K1 [PROPANE ENGINE]	
NEWS NO.	023	

Block No.	Ref. No.	Note	Part No.	Description	Reqd. QTY					Serial No.	Parts catalogue code
					GX 620 (1)	GX 620 (2)	GX 620 K1 (1)	GX 620 (3)	GX 620 K1 (2)		
<b>PARTS NAME CORRECTED</b>											
E-14-2	10	Z	16100-ZJ1-842	CARBURETOR ASSY. (BG22G B/C)	-	-	1	-	-	-----	QKW1, QKW2, QKW3, VAY, VZE9
					-	-	1	-	-	2169794	QAB/A, QAB6/A, QAF/A, QAF1/A, QAF5/A, QAF6/A, QAF7/A QAF8/A, QAF9/A, QDF/A, QDF6/A, QDW/A, QKW, QWA6/A QWF6/A, QXA/A, QXA3/A, QXA6/A, QXB1/A, QXC2/A QXE1/A, QXE5/A, QXF/A, QXF4/A, QXF6/A, QYA/A, QYD/A QYF/A, QZB/A, QZB2/A, QZB3/A, QZD/A, QZE3/A, QZE4/A QZF1/A, QZF2/A, QZF8/A, SAE1/A, SAF1/A, VAF/A VAF6/A, VEP4/A, VXA1/A, VXE1/A, VXE4/A, VXE8/A VXF/A, VXF4/A, VXP2/A, VYA3/A, VYE3/A, VZE7/A, VZE8/A

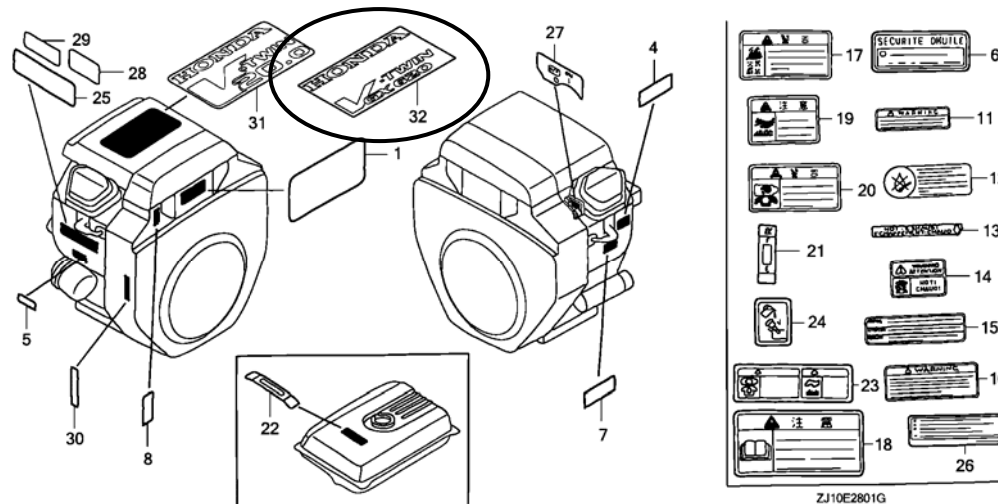
NOTE A:PART NO. CHANGE D:NEWLY PROVIDED E:PART NO. DELETION K:REQUIRED NO. CORRECTION L:APPLICATION SERIAL NO. CORRECTION  
 T:APPLICATION CORRECTION Z:REMARKS CHANGE

PARTS CATALOGUE NEWS

BOOKNo. : 13ZJ10E7

Block No.	Ref. No.	Note	Part No.	Description	Reqd. QTY					Serial No.	Parts catalogue code
					GX 620 (1)	GX 620 (2)	GX 620 K1 (1)	GX 620 (3)	GX 620 K1 (2)		
E-23	3		31620-ZG5-013	RECTIFIER ASSY., REGULATOR (20A)	-	-	1	-	-	-----	QAB, QAB/A, QAB6, QAB6/A, QAD2, QAD2/A, QAF, QAF/A, QAF1, QAF1/A, QAF2, QAF2/A, QAF5, QAF6, QAF7, QAF7/A, QAF8, QAF9, QAF9/A, QDF, QDF/A, QDF6, QDF6/A, QDP2/A, QDW, QDW/A, QWF6, QWF6/A, QXB1, QXB1/A, QXE4, QXE4/A, QXE7, QXE7/A, QXF, QXF/A, QXF4, QXF4/A, QXF6, QXF6/A, QXF8, QXF8/A, QXW2, QXW2/A, QXW4, QXW4/A, QYD, QYD/A, QYF, QYF/A, QZB, QZB/A, QZB2, QZB2/A, QZB3, QZB3/A, QZF1, QZF1/A, QZF2, QZF2/A, QZF8, QZF8/A, SAF1, SAF1/A, TXF2, TXF2/A, VAB2/A, VAB3, VAB3/A, VAF, VAF/A, VAF6, VAF6/A, VDC2, VDC2/A, VXF, VXF/A, VXF4, VXF4/A
					-	-	1	-	-	----- 2177899	QAF5/A, QAF6/A, QAF8/A, QKW2, QKW3
					-	-	1	-	-	2095895 -----	QDP2, VAB2
	A		31620-ZG5-023	.....	-	-	1	-	-	2177900 -----	QAF5/A, QAF6/A, QAF8/A, QKW2, QKW3

E-28-1 LABEL (GX620K1)



NOTE A:PART NO. CHANGE D:NEWLY PROVIDED E:PART NO.DELETION K:REQUIRED NO. CORRECTION L:APPLICATION SERIAL NO. CORRECTION  
T:APPLICATION CORRECTION Z:REMARKS CHANGE

PARTS CATALOGUE NEWS

BOOKNo. : 13ZJ10E7

Block No.	Ref. No.	Note	Part No.	Description	Reqd. QTY					Serial No.	Parts catalogue code	
					GX 620	GX 620	GX 620 K1	GX 620	GX 620 K1			
					(1)	(2)	(1)	(3)	(2)			
E-28-1	1		87101-ZJ1-841	MARK, EMBLEM (20.0) .....	-	-	1	-	-	-----	-----	QAB/A, QAB6/A, QAD2/A, QAF/A, QAF1/A, QAF2/A, QAF7/A, QAF9, QAF9/A, QAX1, QAX1/A, QDF/A, QDF6/A, QDP2, QDP2/A, QDW/A, QWA6, QWA6/A, QWF6, QWF6/A, QXA/A, QXA3/A, QXA6/A, QXB1/A, QXC2/A, QXE1/A, QXE4/A, QXE7/A, QXE8/A, QXF/A, QXF4/A, QXF6/A, QXF8/A, QXW2/A, QXW4/A, QYA/A, QYD, QYD/A, QYF/A, QZB/A, QZB2/A, QZB3/A, QZE3/A, QZE4/A, QZF1/A, QZF2/A, QZF8, QZF8/A, QZX1, QZX1/A, QZX4/A, QZX5/A, SAF1/A, TXF2/A, VAB2, VAB2/A, VAB3, VAB3/A, VAF/A, VAF6/A, VAY, VDB2/A, VDC2/A, VEP4, VEP4/A, VXA1/A, VXA4/A, VXA5/A, VXA6/A, VXD4/A, VXE1/A, VXE2/A, VXE4/A, VXE8/A, VXF/A, VXF4/A, VXP2/A, VXZ4/A, VYA3/A, VYE3
					-	-	1	-	-	-----	2178497	QAF5/A, QAF6/A, QAF8/A, QKW, QKW1, QKW2, QKW3, QXE5/A, QZD/A, SAE1/A, VYE3/A, VZE7/A, VZE8/A, VZE9
					-	-	1	-	-	2060050	-----	QAB, QAB6, QAD2, QAF, QAF1, QAF2, QAF5, QAF6, QAF7, QAF8, QDF, QDF6, QDW, QXA, QXA3, QXA6, QXB1, QXC2, QXE1, QXE4, QXE5, QXE7, QXE8, QXF, QXF4, QXF6, QXF8, QXW2, QXW4, QYA, QYF, QZB, QZB2, QZB3, QZD, QZE3, QZE4, QZF1, QZF2, QZX4, QZX5, SAE1, SAF1, TXF2, VAF, VAF6, VDB2, VDC2, VXA1, VXA4, VXA5, VXA6, VXD4, VXE1, VXE2, VXE4, VXE8, VXF, VXF4, VXP2, VXZ4, VYA3, VZA1, VZE7, VZE8
		A	87101-ZJ1-842	MARK, EMBLEM (GX620) .....	-	-	1	-	-	2178498	-----	QAF5/A, QAF6/A, QAF8/A, QKW, QKW1, QKW2, QKW3, QXE5/A, QZD/A, SAE1/A, VYE3/A, VZE7/A, VZE8/A, VZE9
		31	L	87101-ZJ1-P30	MARK, EMBLEM (20.0) .....	-	-	1	-	-----	2178497	QKW, QKW1
		32	D	87101-ZJ1-P31	MARK, EMBLEM (GX620) .....	-	-	1	-	2178498	-----	QKW, QKW1

NOTE A:PART NO. CHANGE D:NEWLY PROVIDED E:PART NO. DELETION K:REQUIRED NO. CORRECTION L:APPLICATION SERIAL NO. CORRECTION  
T:APPLICATION CORRECTION Z:REMARKS CHANGE



# PARTS CATALOGUE NEWS

Honda Motor Co., Ltd. Service Division

## PARTS CATALOGUE - CORRECTED

Printed in Japan

CODE NO.	BOOKLET TYPE	13ZJ10E7
	MICRO- FICHE	13ZJ10EG/FG
PARTS CATALOGUE NEWS	GX620 GX620K1 GX620 [PROPANE ENGINE] GX620K1 [PROPANE ENGINE]	
NEWS NO.	024	

Block No.	Ref. No.	Note	Part No.	Description	Reqd. QTY					Serial No.	Parts catalogue code
					GX 620 (1)	GX 620 (2)	GX 620 K1 (1)	GX 620 (3)	GX 620 K1 (2)		
E-20	1		30500-ZJ1-844	COIL ASSY., IGNITION .....	-	-	1	-	1	-----	QAB/A, QAB6/A, QAD2/A, QAF/A, QAF1/A, QAF2/A, QAF7/A, QAF9/A, QAX1/A, QDF/A, QDF6/A, QDP2/A, QDW/A, QWA6/A, QWF6/A, QXA/A, QXA3/A, QXA6/A, QXB1/A, QXC2/A, QXE1/A, QXE4/A, QXE7/A, QXE8/A, QXF/A, QXF4/A, QXF6/A, QXF8/A, QXW2/A, QXW4/A, QYA/A, QYD/A, QYF/A, QZB/A, QZB2/A, QZB3/A, QZE3/A, QZE4/A, QZF1/A, QZF2/A, QZF8/A, QZX1/A, QZX4/A, QZX5/A, SAF1/A, TXF2/A, VAB2/A, VAB3/A, VAF/A, VAF6/A, VDB2/A, VDC2/A, VEP4/A, VXA1/A, VXA4/A, VXA5/A, VXA6/A, VXC/A, VXC1/A, VXC2/A, VXD4/A, VXE1/A, VXE2/A, VXE4/A, VXE8/A, VXF/A, VXF4/A, VXP2/A, VXZ4/A, VYA3/A
					-	-	1	-	-	-----	2178156 QAF5/A, QAF6/A, QAF8/A, QKW, QKW1, QKW2, QKW3, QXE5/A, QZD/A, SAE1/A, SYA/A, VAY, VYE3/A, VZE7/A, VZE8/A, VZE9
					-	-	1	-	-	2142841 -----	QAB, QAB6, QAD2, QAF, QAF1, QAF2, QAF5, QAF6, QAF7, QAF8, QAF9, QAX1, QDF, QDF6, QDP2, QDW, QWA6, QWF6, QXA, QXA3, QXA6, QXB1, QXC2, QXE1, QXE4, QXE5, QXE7, QXE8, QXF, QXF4, QXF6, QXF8, QXW2, QXW4, QYA, QYD, QYF, QZB, QZB2, QZB3, QZD, QZE3, QZE4, QZF1, QZF2, QZF8, QZX1, QZX4, QZX5, SAE1, SAF1, SYA, TXF2, VAB2, VAB3, VAF, VAF6, VDB2, VDC2, VEP4, VXA1, VXA4, VXA5, VXA6, VXD4, VXE1, VXE2, VXE4, VXE8, VXF, VXF4, VXP2, VXZ4, VYA3, VYE3, VZE7, VZE8

NOTE A:PART NO. CHANGE D:NEWLY PROVIDED E:PART NO. DELETION K:REQUIRED NO. CORRECTION L:APPLICATION SERIAL NO. CORRECTION  
T:APPLICATION CORRECTION Z:REMARKS CHANGE

PARTS CATALOGUE NEWS

BOOKNo. : 13ZJ10E7

Block No.	Ref. No.	Note	Part No.	Description	Reqd. QTY					Serial No.	Parts catalogue code		
					GX 620	GX 620	GX 620 K1	GX 620	GX 620 K1				
					(1)	(2)	(1)	(3)	(2)				
		A	30500-ZJ1-845	.....	-	-	1	-	-	2178157	-----	QAF5/A, QAF6/A, QAF8/A, QKW, QKW1, QKW2, QKW3, QXE5/A, QZD/A, SAE1/A, SYA/A, VAY, VYE3/A, VZE7/A, VZE8/A, VZE9	
	5		31630-ZJ1-003	COIL ASSY., CHARGE (12V/3A) ..	1	-	1	1	-	-----	-----	QAX1, QAX1/A, QDA1, QDE1, QWA6, QWA6/A, QXA, QXA/A, QXAP, QXAU, QXA1, QXA3, QXA3/A, QXA4, QXA6, QXA6/A, QXC2, QXC2/A, QXC4, QXE1, QXE1/A, QXE3, QXE5, QXE8, QXE8/A, QYA, QYA/A, QYA4, QZD, QZE3, QZE3/A, QZE4, QZE4/A, SAE1, VABP, VDB2, VDB2/A, VEP4, VEP4/A, VXAP, VXAU, VXA1, VXA1/A, VXA3, VXA4, VXA4/A, VXA5, VXA5/A, VXA6, VXA6/A, VXD4, VXD4/A, VXE1, VXE1/A, VXE2, VXE2/A, VXE4, VXE4/A, VXE8, VXE8/A, VXP2, VXP2/A, VYA1, VYA3, VYA3/A, VYE3, VZA1, VZA3, VZD, VZE1, VZE5, VZE7, VZE8	
					-	(1)	-	-	1				
					-	-	1	-	-	-----	2178156	-----	QKW, QKW1, QXE5/A, QZD/A, SAE1/A, VAY, VYE3/A, VZE7/A, VZE8/A, VZE9
		A	31630-ZJ1-013	.....	-	-	1	-	-	2178157	-----	QKW, QKW1, QXE5/A, QZD/A, SAE1/A, VAY, VYE3/A, VZE7/A, VZE8/A, VZE9	
	6		31630-ZJ1-801	COIL ASSY., CHARGE (12V/20A) .	1	-	1	1	-	-----	-----	QAB, QAB/A, QAB4, QAB6, QAB6/A, QAC6, QAD2, QAD2/A, QAF, QAF/A, QAFP, QAFU, QAF1, QAF1/A, QAF2, QAF2/A, QAF3, QAF4, QAF5, QAF6, QAF7, QAF7/A, QAF8, QAF9, QAF9/A, QAP2, QDF, QDF/A, QDF4, QDF6, QDF6/A, QDP2, QDP2/A, QDW, QDW/A, QWF6, QWF6/A, QXB1, QXB1/A, QXE4, QXE4/A, QXE7, QXE7/A, QXF, QXF/A, QXF1, QXF3, QXF4, QXF4/A, QXF6, QXF6/A, QXF8, QXF8/A, QXW2, QXW2/A, QXW4, QXW4/A, QYD, QYD/A, QYF, QYF/A, QYF4, QYF6, QZB, QZB/A, QZB2, QZB2/A, QZB3, QZB3/A, QZF1, QZF1/A, QZF2, QZF2/A, QZF8, QZF8/A, SAF1, SAF1/A, SYA, TXF2, TXF2/A, VAB2, VAB2/A, VAB3, VAB3/A, VAF, VAF/A, VAFP, VAFU, VAF4, VAF6, VAF6/A, VDC2, VDC2/A, VXF, VXF/A, VXF4, VXF4/A, VZF1	
					-	(1)	-	-	-				
					-	-	1	-	-	-----	2178545	-----	QAF5/A, QAF6/A, QAF8/A, QKW2, QKW3, SYA/A
		A	31630-ZJ1-802	.....	-	-	1	-	-	2178546	-----	QAF5/A, QAF6/A, QAF8/A, QKW2, QKW3, SYA/A	

NOTE A:PART NO. CHANGE D:NEWLY PROVIDED E:PART NO. DELETION K:REQUIRED NO. CORRECTION L:APPLICATION SERIAL NO. CORRECTION  
T:APPLICATION CORRECTION Z:REMARKS CHANGE

PARTS CATALOGUE NEWS

BOOKNo. : 13ZJ10E7

Block No.	Ref. No.	Note	Part No.	Description	Reqd. QTY					Serial No.	Parts catalogue code	
					GX 620	GX 620	GX 620 K1	GX 620	GX 620 K1			
					(1)	(2)	(1)	(3)	(2)			
	7		31740-ZJ1-851	DIODE ASSY., ENGINE STOP .....	-	-	1	-	-	-----	-----	QXB1, QXB1/A, QXE7, QXE7/A, QXF3, QXF4, QXF4/A, QXW2, QXW2/A, QXW4, QXW4/A, QZX4, QZX4/A, QZX5, QZX5/A, VDB2, VDB2/A, VXA4, VXA4/A, VXA6, VXA6/A, VXD4, VXD4/A, VXE4, VXE4/A, VXE8, VXE8/A, VXF4, VXF4/A, VXP2, VXP2/A, VXZ4, VXZ4/A, VYA1, VYA3, VYA3/A, VYE3, VZA1, VZE7, VZE8
					-	-	1	-	-	-----	2180002	VYE3/A, VZE7/A, VZE8/A, VZE9
		A	31740-ZJ1-852	.....	-	-	1	-	-	2180003	-----	VYE3/A, VZE7/A, VZE8/A, VZE9
	20		30550-ZJ1-844	COIL ASSY., IGNITION .....	-	-	1	-	1	-----	-----	QAB/A, QAB6/A, QAD2/A, QAF/A, QAF1/A, QAF2/A, QAF7/A, QAF9/A, QAX1/A, QDF/A, QDF6/A, QDP2/A, QDW/A, QWA6/A, QWF6/A, QXA/A, QXA3/A, QXA6/A, QXB1/A, QXC2/A, QXE1/A, QXE4/A, QXE7/A, QXE8/A, QXF/A, QXF4/A, QXF6/A, QXF8/A, QXW2/A, QXW4/A, QYA/A, QYD/A, QYF/A, QZB/A, QZB2/A, QZB3/A, QZE3/A, QZE4/A, QZF1/A, QZF2/A, QZF8/A, QZX1/A, QZX4/A, QZX5/A, SAF1/A, TXF2/A, VAB2/A, VAB3/A, VAF/A, VAF6/A, VDB2/A, VDC2/A, VEP4/A, VXA1/A, VXA4/A, VXA5/A, VXA6/A, VXC/A, VXC1/A, VXC2/A, VXD4/A, VXE1/A, VXE2/A, VXE4/A, VXE8/A, VXF/A, VXF4/A, VXP2/A, VXZ4/A, VYA3/A
					-	-	1	-	-	-----	2178156	QAF5/A, QAF6/A, QAF8/A, QKW, QKW1, QKW2, QKW3, QXE5/A, QZD/A, SAE1/A, SYA/A, VAY, VYE3/A, VZE7/A, VZE8/A, VZE9
					-	-	1	-	-	2142841	-----	QAB, QAB6, QAD2, QAF, QAF1, QAF2, QAF5, QAF6, QAF7, QAF8, QAF9, QAX1, QDF, QDF6, QDP2, QDW, QWA6, QWF6, QXA, QXA3, QXA6, QXB1, QXC2, QXE1, QXE4, QXE5, QXE7, QXE8, QXF, QXF4, QXF6, QXF8, QXW2, QXW4, QYA, QYD, QYF, QZB, QZB2, QZB3, QZD, QZE3, QZE4, QZF1, QZF2, QZF8, QZX1, QZX4, QZX5, SAE1, SAF1, SYA, TXF2, VAB2, VAB3, VAF, VAF6, VDB2, VDC2, VEP4, VXA1, VXA4, VXA5, VXA6, VXD4, VXE1, VXE2, VXE4, VXE8, VXF, VXF4, VXP2, VXZ4, VYA3, VYE3, VZE7, VZE8
		A	30550-ZJ1-845	.....	-	-	1	-	-	2178157	-----	QAF5/A, QAF6/A, QAF8/A, QKW, QKW1, QKW2, QKW3, QXE5/A, QZD/A, SAE1/A, SYA/A, VAY, VYE3/A, VZE7/A, VZE8/A, VZE9

NOTE A:PART NO. CHANGE D:NEWLY PROVIDED E:PART NO.DELETION K:REQUIRED NO. CORRECTION L:APPLICATION SERIAL NO. CORRECTION  
T:APPLICATION CORRECTION Z:REMARKS CHANGE

PARTS CATALOGUE NEWS

BOOKNo. : 13ZJ10E7

Block No.	Ref. No.	Note	Part No.	Description	Reqd. QTY					Serial No.	Parts catalogue code	
					GX 620	GX 620	GX 620	GX 620	GX 620			
					(1)	(2)	(1)	(3)	(2)			
E-21-1	3		31200-ZJ1-841	MOTOR ASSY., STARTER .....	-	-	1	-	-	-----	QAB, QAB/A, QAB6, QAB6/A, QAD2, QAD2/A, QAF, QAF/A, QAF1, QAF1/A, QAF2, QAF2/A, QAF5, QAF6, QAF7, QAF7/A, QAF8, QAF9, QAF9/A, QAX1, QAX1/A, QDF, QDF/A, QDF6, QDF6/A, QDP2, QDP2/A, QDW, QDW/A, QWA6, QWA6/A, QWF6, QWF6/A, QXA, QXA/A, QXA3, QXA3/A, QXA6, QXA6/A, QXB1, QXB1/A, QXC2, QXC2/A, QXE1, QXE1/A, QXE4, QXE4/A, QXE5, QXE7, QXE7/A, QXE8, QXE8/A, QXF, QXF/A, QXF3, QXF4, QXF4/A, QXF6, QXF6/A, QXF8, QXF8/A, QXW2, QXW2/A, QXW4, QXW4/A, QYA, QYA/A, QYD, QYD/A, QYF, QYF/A, QZB, QZB/A, QZB2, QZB2/A, QZB3, QZB3/A, QZD, QZE3, QZE3/A, QZE4, QZE4/A, QZF1, QZF1/A, QZF2, QZF2/A, QZF8, QZF8/A, SAE1, SAF1, SAF1/A, SYA, TXF2, TXF2/A, VAB2, VAB2/A, VAB3, VAB3/A, VAF, VAF/A, VAF6, VAF6/A, VDB2, VDB2/A, VDC2, VDC2/A, VEP4, VEP4/A, VXA1, VXA1/A, VXA4, VXA4/A, VXA5, VXA5/A, VXA6, VXA6/A, VXD4, VXD4/A, VXE1, VXE1/A, VXE2, VXE2/A, VXE4, VXE4/A, VXE8, VXE8/A, VXF, VXF/A, VXF4, VXF4/A, VXP2, VXP2/A, VYA1, VYA3, VYA3/A, VYE3, VZA1, VZE7, VZE8	
					-	-	1	-	-	-----	2180002	QAF5/A, QAF6/A, QAF8/A, QKW, QKW1, QKW2, QKW3, QXE5/A, QZD/A, SAE1/A, SYA/A, VAY, VYE3/A, VZE7/A, VZE8/A, VZE9
					-	-	-	-	1			
	A		31200-ZJ1-842	.....	-	-	1	-	-	2180003	-----	QAF5/A, QAF6/A, QAF8/A, QKW, QKW1, QKW2, QKW3, QXE5/A, QZD/A, SAE1/A, SYA/A, VAY, VYE3/A, VZE7/A, VZE8/A, VZE9

NOTE A:PART NO. CHANGE D:NEWLY PROVIDED E:PART NO.DELETION K:REQUIRED NO. CORRECTION L:APPLICATION SERIAL NO. CORRECTION  
T:APPLICATION CORRECTION Z:REMARKS CHANGE



PARTS CATALOGUE NEWS

BOOKNo. : 13ZJ10E7

Block No.	Ref. No.	Note	Part No.	Description	Reqd. QTY					Serial No.	Parts catalogue code	
					GX 620	GX 620	GX 620	GX 620	GX 620			
					(1)	(2)	(1)	(3)	(2)			
		5	31204-ZJ1-H01	SWITCH ASSY., MAGNET .....	-	-	1	-	-	-----	QAB, QAB/A, QAB6, QAB6/A, QAD2, QAD2/A, QAF, QAF/A, QAF1, QAF1/A, QAF2, QAF2/A, QAF5, QAF6, QAF7, QAF7/A, QAF8, QAF9, QAF9/A, QAX1, QAX1/A, QDF, QDF/A, QDF6, QDF6/A, QDP2, QDP2/A, QDW, QDW/A, QWA6, QWA6/A, QWF6, QWF6/A, QXA, QXA/A, QXA3, QXA3/A, QXA6, QXA6/A, QXB1, QXB1/A, QXC2, QXC2/A, QXE1, QXE1/A, QXE4, QXE4/A, QXE5, QXE7, QXE7/A, QXE8, QXE8/A, QXF, QXF/A, QXF3, QXF4, QXF4/A, QXF6, QXF6/A, QXF8, QXF8/A, QXW2, QXW2/A, QXW4, QXW4/A, QYA, QYA/A, QYD, QYD/A, QYF, QYF/A, QZB, QZB/A, QZB2, QZB2/A, QZB3, QZB3/A, QZD, QZE3, QZE3/A, QZE4, QZE4/A, QZF1, QZF1/A, QZF2, QZF2/A, QZF8, QZF8/A, SAE1, SAF1, SAF1/A, SYA, TXF2, TXF2/A, VAB2, VAB2/A, VAB3, VAB3/A, VAF, VAF/A, VAF6, VAF6/A, VDB2, VDB2/A, VDC2, VDC2/A, VEP4, VEP4/A, VXA1, VXA1/A, VXA4, VXA4/A, VXA5, VXA5/A, VXA6, VXA6/A, VXD4, VXD4/A, VXE1, VXE1/A, VXE2, VXE2/A, VXE4, VXE4/A, VXE8, VXE8/A, VXF, VXF/A, VXF4, VXF4/A, VXP2, VXP2/A, VYA1, VYA3, VYA3/A, VYE3, VZA1, VZE7, VZE8	
					-	-	1	-	-	-----	2180002	QAF5/A, QAF6/A, QAF8/A, QKW, QKW1, QKW2, QKW3, QXE5/A, QZD/A, SAE1/A, SYA/A, VAY, VYE3/A, VZE7/A, VZE8/A, VZE9
		A	31204-ZJ1-H02	.....	-	-	1	-	-	-----	2180003	QAF5/A, QAF6/A, QAF8/A, QKW, QKW1, QKW2, QKW3, QXE5/A, QZD/A, SAE1/A, SYA/A, VAY, VYE3/A, VZE7/A, VZE8/A, VZE9

NOTE A:PART NO. CHANGE D:NEWLY PROVIDED E:PART NO.DELETION K:REQUIRED NO. CORRECTION L:APPLICATION SERIAL NO. CORRECTION  
T:APPLICATION CORRECTION Z:REMARKS CHANGE

PARTS CATALOGUE NEWS

BOOKNo. : 13ZJ10E7

Block No.	Ref. No.	Note	Part No.	Description	Reqd. QTY					Serial No.	Parts catalogue code	
					GX 620	GX 620	GX 620 K1	GX 620 (1)	GX 620 (2)			
					(1)	(2)	(1)	(3)	(2)			
	17		31234-ZJ1-H01	COVER, TERMINAL .....	-	-	1	-	-	-----	-----	QAB, QAB/A, QAB6, QAB6/A, QAD2, QAD2/A, QAF, QAF/A, QAF1, QAF1/A, QAF2, QAF2/A, QAF5, QAF6, QAF7, QAF7/A, QAF8, QAF9, QAF9/A, QAX1, QAX1/A, QDF, QDF/A, QDF6, QDF6/A, QDP2, QDP2/A, QDW, QDW/A, QWA6, QWA6/A, QWF6, QWF6/A, QXA, QXA/A, QXA3, QXA3/A, QXA6, QXA6/A, QXB1, QXB1/A, QXC2, QXC2/A, QXE1, QXE1/A, QXE4, QXE4/A, QXE5, QXE7, QXE7/A, QXE8, QXE8/A, QXF, QXF/A, QXF3, QXF4, QXF4/A, QXF6, QXF6/A, QXF8, QXF8/A, QXW2, QXW2/A, QXW4, QXW4/A, QYA, QYA/A, QYD, QYD/A, QYF, QYF/A, QZB, QZB/A, QZB2, QZB2/A, QZB3, QZB3/A, QZD, QZE3, QZE3/A, QZE4, QZE4/A, QZF1, QZF1/A, QZF2, QZF2/A, QZF8, QZF8/A, SAE1, SAF1, SAF1/A, SYA, TXF2, TXF2/A, VAB2, VAB2/A, VAB3, VAB3/A, VAF, VAF/A, VAF6, VAF6/A, VDB2, VDB2/A, VDC2, VDC2/A, VEP4, VEP4/A, VXA1, VXA1/A, VXA4, VXA4/A, VXA5, VXA5/A, VXA6, VXA6/A, VXD4, VXD4/A, VXE1, VXE1/A, VXE2, VXE2/A, VXE4, VXE4/A, VXE8, VXE8/A, VXF, VXF/A, VXF4, VXF4/A, VXP2, VXP2/A, VYA1, VYA3, VYA3/A, VYE3, VZA1, VZE7, VZE8
					-	-	1	-	-	-----	2180002	QAF5/A, QAF6/A, QAF8/A, QKW, QKW1, QKW2, QKW3, QXE5/A, QZD/A, SAE1/A, SYA/A, VAY, VYE3/A, VZE7/A, VZE8/A, VZE9
					-	-	-	-	1			
	A		31234-ZJ1-H02	.....	-	-	1	-	-	2180003	-----	QAF5/A, QAF6/A, QAF8/A, QKW, QKW1, QKW2, QKW3, QXE5/A, QZD/A, SAE1/A, SYA/A, VAY, VYE3/A, VZE7/A, VZE8/A, VZE9
E-23	4		31710-ZJ1-811	RECTIFIER ASSY. ....	1	-	1	1	1	-----	-----	QAX1, QAX1/A, QDA1, QDE1, QWA6, QWA6/A, QXA, QXA/A, QXAP, QXAU, QXA1, QXA3, QXA3/A, QXA4, QXA6, QXA6/A, QXC2, QXC2/A, QXC4, QXE1, QXE1/A, QXE3, QXE5, QXE8, QXE8/A, QYA, QYA/A, QYA4, QZD, QZE3, QZE3/A, QZE4, QZE4/A, SAE1, VABP, VDB2/A, VXAP, VXAU, VXA1, VXA1/A, VXA3, VXA4, VXA4/A, VXA5, VXA5/A, VXA6, VXA6/A, VXC1, VXC1/A, VXC2, VXC2/A, VXD4, VXD4/A, VXE1, VXE1/A, VXE2, VXE2/A, VXE4, VXE4/A, VXE8/A, VXP2, VXP2/A, VYA1, VYA3, VYA3/A, VYE3, VZA1, VZA3, VZD
					1	-	-	-	-	1028590	-----	VXE8
					-	(1)	-	-	-			
					-	-	1	-	-	-----	-----	VXE8
					-	-	1	-	-	-----	2180010	QKW, QKW1, QXE5/A, QZD/A, SAE1/A, VAY, VYE3/A

NOTE A:PART NO. CHANGE D:NEWLY PROVIDED E:PART NO. DELETION K:REQUIRED NO. CORRECTION L:APPLICATION SERIAL NO. CORRECTION  
T:APPLICATION CORRECTION Z:REMARKS CHANGE

PARTS CATALOGUE NEWS

BOOKNo. : 13ZJ10E7

Block No.	Ref. No.	Note	Part No.	Description	Reqd. QTY					Serial No.	Parts catalogue code
					GX 620	GX 620	GX 620 K1	GX 620	GX 620 K1		
					(1)	(2)	(1)	(3)	(2)		
					-	-	1	-	-	2030545 -----	VDB2
		A	31710-ZJ1-812	.....	-	-	1	-	-	2180011 -----	QKW, QKW1, QXE5/A, QZD/A, SAE1/A, VAY, VYE3/A

NOTE A:PART NO. CHANGE D:NEWLY PROVIDED E:PART NO. DELETION K:REQUIRED NO. CORRECTION L:APPLICATION SERIAL NO. CORRECTION  
T:APPLICATION CORRECTION Z:REMARKS CHANGE



# PARTS CATALOGUE NEWS

Honda Motor Co., Ltd. Service Division

## PARTS CATALOGUE - CORRECTED

Printed in Japan

CODE NO.	BOOKLET TYPE	13ZJ10E7
	MICRO- FICHE	13ZJ10EG/FG
PARTS CATALOGUE NEWS	GX620 GX620K1 GX620 [PROPANE ENGINE] GX620K1 [PROPANE ENGINE]	
NEWS NO.	025	

Block No.	Ref. No.	Note	Part No.	Description	Reqd. QTY					Serial No.	Parts catalogue code	
					GX 620 (1)	GX 620 (2)	GX 620 K1 (1)	GX 620 (3)	GX 620 K1 (2)			
E-20	7		31740-ZJ1-861	DIODE ASSY., ENGINE STOP .....	-	-	1	-	-	-----	QAB/A, QAB6/A, QAD2, QAD2/A, QAF/A, QAF1/A, QAF2/A, QAF7/A, QAF9, QAF9/A, QAX1, QAX1/A, QDF/A, QDF6/A, QDP2, QDP2/A, QDW/A, QWA6, QWA6/A, QWF6, QWF6/A, QXA/A, QXA3/A, QXA6/A, QXC2/A, QXE1/A, QXE4/A, QXE8/A, QXF/A, QXF6/A, QXF8/A, QYA/A, QYD, QYD/A, QYF/A, QZB/A, QZB2/A, QZB3/A, QZE3/A, QZE4/A, QZF1/A, QZF2/A, QZF8, QZF8/A, QZX1, QZX1/A, SAF1/A, SYA, TXF2/A, VAB2, VAB2/A, VAB3, VAB3/A, VAF/A, VAF6/A, VDC2, VDC2/A, VEP4, VEP4/A, VXA1/A, VXA5/A, VXE1/A, VXE2/A, VXF/A	
					-	-	1	-	-	-----	2180010 QAF5/A, QAF6/A, QAF8/A, QKW, QKW1, QKW2, QKW3, QXE5/A, QZD/A, SAE1/A, SYA/A, VAY	
					-	-	1	-	-	2040641	-----	QAB, QAB6, QAF, QAF1, QAF2, QAF5, QAF6, QAF7, QAF8, QDF, QDF6, QDW, QXA, QXA3, QXA6, QXC2, QXE1, QXE4, QXE5, QXE8, QXF, QXF6, QXF8, QYA, QYF, QZB, QZB2, QZB3, QZD, QZE3, QZE4, QZF1, QZF2, SAE1, SAF1, TXF2, VAF, VAF6, VXA1, VXA5, VXE1, VXE2, VXF
		A	31740-ZJ1-862	.....	-	-	1	-	-	2180011	-----	QAF5/A, QAF6/A, QAF8/A, QKW, QKW1, QKW2, QKW3, QXE5/A, QZD/A, SAE1/A, SYA/A, VAY

NOTE A:PART NO. CHANGE D:NEWLY PROVIDED E:PART NO.DELETION K:REQUIRED NO. CORRECTION L:APPLICATION SERIAL NO. CORRECTION  
T:APPLICATION CORRECTION Z:REMARKS CHANGE



# PARTS CATALOGUE NEWS

Honda Motor Co., Ltd. Service Division

## PARTS CATALOGUE - CORRECTED

Printed in Japan

CODE NO.	BOOKLET TYPE	13ZJ10E7
	MICRO- FICHE	13ZJ10EG/FG
PARTS CATALOGUE NEWS	GX620 GX620K1 GX620 [PROPANE ENGINE] GX620K1 [PROPANE ENGINE]	
NEWS NO.	026	

Block No.	Ref. No.	Note	Part No.	Description	Reqd. QTY					Serial No.	Parts catalogue code	
					GX 620 (1)	GX 620 (2)	GX 620 K1 (1)	GX 620 (3)	GX 620 K1 (2)			
E-12-1	15		34150-ZJ1-842	ALERT UNIT, OIL .....	-	-	1	-	1	-----	QWA6/A, QWF6/A, QXA/A, QXA3/A, QXA6/A, QXB1/A QXC2/A, QXE1/A, QXE4/A, QXE5/A, QXE7/A, QXE8/A QXF/A, QXF4/A, QXF6/A, QXF8/A, QXW2/A, QXW4/A, QYA/A QZB/A, QZB2/A, QZB3/A, QZE3/A, QZE4/A, QZF1/A QZF2/A, QZF8/A, QZX4/A, QZX5/A, TXF2/A, VDB2/A VEP4/A, VXA1/A, VXA4/A, VXA5/A, VXA6/A, VXC1/A VXC2/A, VXD4/A, VXE1/A, VXE2/A, VXE4/A, VXE8/A VXF/A, VXF4/A, VXP2/A, VXZ4/A, VYA3/A	
					-	-	1	-	-	-----	2180477	VYE3/A, VZE7/A, VZE8/A, VZE9
					-	-	1	-	-	2142841	-----	QWA6, QWF6, QXA, QXA3, QXA6, QXB1, QXC2, QXE1, QXE4 QXE5, QXE7, QXE8, QXF, QXF4, QXF6, QXF8, QXW2, QXW4 QYA, QZB, QZB2, QZB3, QZE3, QZE4, QZF1, QZF2, QZF8 QZX4, QZX5, TXF2, VDB2, VEP4, VXA1, VXA4, VXA5, VXA6 VXD4, VXE1, VXE2, VXE4, VXE8, VXF, VXF4, VXP2, VXZ4 VYA3, VYE3, VZE7, VZE8
	A		34150-ZJ1-843	.....	-	-	1	-	-	2180478	-----	VYE3/A, VZE7/A, VZE8/A, VZE9

NOTE A:PART NO. CHANGE D:NEWLY PROVIDED E:PART NO. DELETION K:REQUIRED NO. CORRECTION L:APPLICATION SERIAL NO. CORRECTION  
 T:APPLICATION CORRECTION Z:REMARKS CHANGE

PARTS CATALOGUE NEWS

BOOKNo. : 13ZJ10E7

Block No.	Ref. No.	Note	Part No.	Description	Reqd. QTY					Serial No.	Parts catalogue code	
					GX 620	GX 620	GX 620 K1	GX 620	GX 620 K1			
					(1)	(2)	(1)	(3)	(2)			
E-28-1	1	L	87101-ZJ1-841	MARK, EMBLEM (20.0) .....	-	-	1	-	-	-----	-----	QAB/A, QAB6/A, QAD2/A, QAF/A, QAF1/A, QAF2/A, QAF7/A, QAF9, QAF9/A, QAX1, QAX1/A, QDF/A, QDF6/A, QDP2, QDP2/A, QDW/A, QWA6, QWA6/A, QWF6, QWF6/A, QXA/A, QXA3/A, QXA6/A, QXB1/A, QXC2/A, QXE1/A, QXE4/A, QXE7/A, QXE8/A, QXF/A, QXF4/A, QXF6/A, QXF8/A, QXW2/A, QXW4/A, QYA/A, QYD, QYD/A, QYF/A, QZB/A, QZB2/A, QZB3/A, QZE3/A, QZE4/A, QZF1/A, QZF2/A, QZF8, QZF8/A, QZX1, QZX1/A, QZX4/A, QZX5/A, SAF1/A, TXF2/A, VAB2, VAB2/A, VAB3, VAB3/A, VAF/A, VAF6/A, VDB2/A, VDC2/A, VEP4, VEP4/A, VXA1/A, VXA4/A, VXA5/A, VXA6/A, VXD4/A, VXE1/A, VXE2/A, VXE4/A, VXE8/A, VXF/A, VXF4/A, VXP2/A, VXZ4/A, VYA3/A, VYE3
					-	-	1	-	-	-----	2178497	QAF5/A, QAF6/A, QAF8/A, QKW, QKW1, QKW2, QKW3, QXE5/A, QZD/A, SAE1/A, VAY, VYE3/A, VZE7/A, VZE8/A, VZE9
					-	-	1	-	-	2060050	-----	QAB, QAB6, QAD2, QAF, QAF1, QAF2, QAF5, QAF6, QAF7, QAF8, QDF, QDF6, QDW, QXA, QXA3, QXA6, QXB1, QXC2, QXE1, QXE4, QXE5, QXE7, QXE8, QXF, QXF4, QXF6, QXF8, QXW2, QXW4, QYA, QYF, QZB, QZB2, QZB3, QZD, QZE3, QZE4, QZF1, QZF2, QZX4, QZX5, SAE1, SAF1, TXF2, VAF, VAF6, VDB2, VDC2, VXA1, VXA4, VXA5, VXA6, VXD4, VXE1, VXE2, VXE4, VXE8, VXF, VXF4, VXP2, VXZ4, VYA3, VZA1, VZE7, VZE8
		T	87101-ZJ1-842	MARK, EMBLEM (GX620) .....	-	-	1	-	-	2178498	-----	QAF5/A, QAF6/A, QAF8/A, QKW, QKW1, QKW2, QKW3, QXE5/A, QZD/A, SAE1/A, VAY, VYE3/A, VZE7/A, VZE8/A, VZE9

NOTE A:PART NO. CHANGE D:NEWLY PROVIDED E:PART NO.DELETION K:REQUIRED NO. CORRECTION L:APPLICATION SERIAL NO. CORRECTION  
T:APPLICATION CORRECTION Z:REMARKS CHANGE



# PARTS CATALOGUE NEWS

Honda Motor Co., Ltd. Service Division

## PARTS CATALOGUE - CORRECTED

Printed in Japan

CODE NO.	BOOKLET TYPE	13ZJ10E7
	MICRO- FICHE	13ZJ10EG/FG
PARTS CATALOGUE NEWS	GX620 GX620K1 GX620 [PROPANE ENGINE] GX620K1 [PROPANE ENGINE]	
NEWS NO.	027	

Block No.	Ref. No.	Note	Part No.	Description	Reqd. QTY					Serial No.	Parts catalogue code	
					GX 620 (1)	GX 620 (2)	GX 620 K1 (1)	GX 620 (3)	GX 620 K1 (2)			
E-3-1	9		35480-ZJ1-841	SWITCH ASSY., OIL LEVEL .....	-	-	1	-	1	-----	-----	QWA6, QWA6/A, QWF6, QWF6/A, QXA, QXA/A, QXA3, QXA3/A, QXA6, QXA6/A, QXB1, QXB1/A, QXC2, QXC2/A, QXE1, QXE1/A, QXE4, QXE4/A, QXE5, QXE5/A, QXE7, QXE7/A, QXE8, QXE8/A, QXF, QXF/A, QXF3, QXF4, QXF4/A, QXF6, QXF6/A, QXF8, QXF8/A, QXW2, QXW2/A, QXW4, QXW4/A, QYA, QYA/A, QZB, QZB/A, QZB2, QZB2/A, QZB3, QZB3/A, QZE3, QZE3/A, QZE4, QZE4/A, QZF1, QZF1/A, QZF2, QZF2/A, QZF8, QZF8/A, QZX4, QZX4/A, QZX5, QZX5/A, TXF2, TXF2/A, VDB2, VDB2/A, VEP4, VEP4/A, VXA1, VXA1/A, VXA4, VXA4/A, VXA5, VXA5/A, VXA6, VXA6/A, VXC1, VXC1/A, VXC2, VXC2/A, VXD4, VXD4/A, VXE1, VXE1/A, VXE2, VXE2/A, VXE4, VXE4/A, VXE8, VXE8/A, VXF, VXF/A, VXF4, VXF4/A, VXP2, VXP2/A, VXZ4, VXZ4/A, VYA1, VYA3, VYA3/A, VYE3, VZA1, VZE7, VZE8
					-	-	1	-	-	-----	2181170	VYE3/A, VZE7/A, VZE8/A, VZE9
		A	35480-ZJ1-842	.....	-	-	1	-	-	2181171	-----	VYE3/A, VZE7/A, VZE8/A, VZE9
E-14-2	10		16100-ZJ1-842	CARBURETOR ASSY. (BG22G B/C) .	-	-	1	-	-	-----	2181925	QKW1, QKW2, QKW3, VAY, VZE9

NOTE A:PART NO. CHANGE D:NEWLY PROVIDED E:PART NO. DELETION K:REQUIRED NO. CORRECTION L:APPLICATION SERIAL NO. CORRECTION  
T:APPLICATION CORRECTION Z:REMARKS CHANGE

PARTS CATALOGUE NEWS

BOOKNo. : 13ZJ10E7

Block No.	Ref. No.	Note	Part No.	Description	Reqd. QTY					Serial No.	Parts catalogue code	
					GX 620	GX 620	GX 620 K1	GX 620	GX 620 K1			
					(1)	(2)	(1)	(3)	(2)			
					-	-	1	-	-	2169794	-----	QAB/A, QAB6/A, QAF/A, QAF1/A, QAF7/A, QAF8/A, QAF9/A, QDF/A, QDF6/A, QDW/A, QWA6/A, QWF6/A, QXA/A, QXA3/A, QXA6/A, QXB1/A, QXC2/A, QXE1/A, QXE5/A, QXF/A, QXF4/A, QXF6/A, QYA/A, QYD/A, QYF/A, QZB/A, QZB2/A, QZB3/A, QZE3/A, QZE4/A, QZF1/A, QZF2/A, QZF8/A, SAF1/A, VAF/A, VAF6/A, VEP4/A, VXA1/A, VXE1/A, VXE4/A, VXE8/A, VXF/A, VXF4/A, VXP2/A, VYA3/A
					-	-	1	-	-	2169794	2181925	QAF5/A, QAF6/A, QKW, QZD/A, SAE1/A, VYE3/A, VZE7/A, VZE8/A
		A	16100-ZJ1-843	CARBURETOR ASSY. (BG22G C) ...	-	-	1	-	-	2181926	-----	QAF5/A, QAF6/A, QKW, QKW1, QKW2, QKW3, QZD/A, SAE1/A, VAY, VYE3/A, VZE7/A, VZE8/A, VZE9
	16		16200-ZJ1-841	VALVE ASSY., SOLENOID .....	-	-	1	-	-	-----	-----	QAB, QAB/A, QAB6, QAB6/A, QAD2, QAD2/A, QAF, QAF/A, QAF1, QAF1/A, QAF2, QAF2/A, QAF5, QAF6, QAF7, QAF7/A, QAF8, QAF8/A, QAF9, QAF9/A, QDF, QDF/A, QDF6, QDF6/A, QDP2, QDP2/A, QDW, QDW/A, QWA6, QWA6/A, QWF6, QWF6/A, QXA, QXA/A, QXA3, QXA3/A, QXA6, QXA6/A, QXB1, QXB1/A, QXC2, QXC2/A, QXE1, QXE1/A, QXE4, QXE4/A, QXE5, QXE5/A, QXE7, QXE7/A, QXE8, QXE8/A, QXF, QXF/A, QXF3, QXF4, QXF4/A, QXF6, QXF6/A, QXF8, QXF8/A, QXW2, QXW2/A, QXW4, QXW4/A, QYA, QYA/A, QYD, QYD/A, QYF, QYF/A, QZB, QZB/A, QZB2, QZB2/A, QZB3, QZB3/A, QZD, QZE3, QZE3/A, QZE4, QZE4/A, QZF1, QZF1/A, QZF2, QZF2/A, QZF8, QZF8/A, SAE1, SAF1, SAF1/A, TXF2, TXF2/A, VAB2, VAB2/A, VAB3, VAB3/A, VAF, VAF/A, VAF6, VAF6/A, VDB2, VDB2/A, VDC2, VDC2/A, VEP4, VEP4/A, VXA1, VXA1/A, VXA4, VXA4/A, VXA5, VXA5/A, VXA6, VXA6/A, VXD4, VXD4/A, VXE1, VXE1/A, VXE2, VXE2/A, VXE4, VXE4/A, VXE8, VXE8/A, VXF, VXF/A, VXF4, VXF4/A, VXP2, VXP2/A, VYA1, VYA3, VYA3/A, VYE3, VZA1, VZE7, VZE8
					-	-	1	-	-	-----	2181925	QAF5/A, QAF6/A, QKW, QKW1, QKW2, QKW3, QZD/A, SAE1/A, VAY, VYE3/A, VZE7/A, VZE8/A, VZE9
		A	16200-ZJ1-842	.....	-	-	1	-	-	2181926	-----	QAF5/A, QAF6/A, QKW, QKW1, QKW2, QKW3, QZD/A, SAE1/A, VAY, VYE3/A, VZE7/A, VZE8/A, VZE9
E-14-4	14		16200-ZJ1-841	VALVE ASSY., SOLENOID .....	-	-	1	-	-	-----	-----	SYA
					-	-	1	-	-	-----	2181925	SYA/A
		A	16200-ZJ1-842	.....	-	-	1	-	-	2181926	-----	SYA/A

NOTE A:PART NO. CHANGE D:NEWLY PROVIDED E:PART NO.DELETION K:REQUIRED NO. CORRECTION L:APPLICATION SERIAL NO. CORRECTION  
T:APPLICATION CORRECTION Z:REMARKS CHANGE





# PARTS CATALOGUE NEWS

Honda Motor Co., Ltd. Service Division

## PARTS CATALOGUE - CORRECTED

Printed in Japan

CODE NO.	BOOKLET TYPE	13ZJ10E7
	MICRO- FICHE	13ZJ10EG/FG
PARTS CATALOGUE NEWS	GX620 GX620K1 GX620 [PROPANE ENGINE] GX620K1 [PROPANE ENGINE]	
NEWS NO.	028	

Block No.	Ref. No.	Note	Part No.	Description	Reqd. QTY					Serial No.	Parts catalogue code	
					GX 620 (1)	GX 620 (2)	GX 620 K1 (1)	GX 620 (3)	GX 620 K1 (2)			
E-3-1	9	L	35480-ZJ1-841	SWITCH ASSY., OIL LEVEL .....	-	-	1	-	1	-----	-----	QWA6, QWA6/A, QWF6, QWF6/A, QXA, QXA/A, QXA3, QXA3/A, QXA6, QXA6/A, QXB1, QXB1/A, QXC2, QXC2/A, QXE1, QXE1/A, QXE4, QXE4/A, QXE5, QXE5/A, QXE7, QXE7/A, QXE8, QXE8/A, QXF, QXF/A, QXF3, QXF4, QXF4/A, QXF6, QXF6/A, QXF8, QXF8/A, QXW2, QXW2/A, QXW4, QXW4/A, QYA, QYA/A, QZB, QZB/A, QZB2, QZB2/A, QZB3, QZB3/A, QZE3, QZE3/A, QZE4, QZE4/A, QZF1, QZF1/A, QZF2, QZF2/A, QZF8, QZF8/A, QZX4, QZX4/A, QZX5, QZX5/A, TXF2, TXF2/A, VDB2, VDB2/A, VEP4, VEP4/A, VXA1, VXA1/A, VXA4, VXA4/A, VXA5, VXA5/A, VXA6, VXA6/A, VXC1, VXC1/A, VXC2, VXD4, VXD4/A, VXE1, VXE1/A, VXE2, VXE2/A, VXE4, VXE4/A, VXE8, VXE8/A, VXF, VXF/A, VXF4, VXF4/A, VXP2, VXP2/A, VXZ4, VXZ4/A, VYA1, VYA3, VYA3/A, VYE3, VZA1, VZE7, VZE8
					-	-	1	-	-	-----	2181170	VYE3/A, VZE7/A, VZE8/A, VZE9
					-	-	-	-	1	-----	1015208	VXC2/A
		T	35480-ZJ1-842	.....	-	-	1	-	-	2181171	-----	VYE3/A, VZE7/A, VZE8/A, VZE9
					-	-	-	-	1	1015209	-----	VXC2/A

NOTE A:PART NO. CHANGE D:NEWLY PROVIDED E:PART NO. DELETION K:REQUIRED NO. CORRECTION L:APPLICATION SERIAL NO. CORRECTION  
T:APPLICATION CORRECTION Z:REMARKS CHANGE

PARTS CATALOGUE NEWS

BOOKNo. : 13ZJ10E7

Block No.	Ref. No.	Note	Part No.	Description	Reqd. QTY					Serial No.	Parts catalogue code		
					GX 620 (1)	GX 620 (2)	GX 620 K1 (1)	GX 620 (3)	GX 620 K1 (2)				
E-12-1	15	L	34150-ZJ1-842	ALERT UNIT, OIL .....	-	-	1	-	1	-----	-----	QWA6/A, QWF6/A, QXA/A, QXA3/A, QXA6/A, QXB1/A, QXC2/A, QXE1/A, QXE4/A, QXE5/A, QXE7/A, QXE8/A, QXF/A, QXF4/A, QXF6/A, QXF8/A, QXW2/A, QXW4/A, QYA/A, QZB/A, QZB2/A, QZB3/A, QZE3/A, QZE4/A, QZF1/A, QZF2/A, QZF8/A, QZX4/A, QZX5/A, TXF2/A, VDB2/A, VEP4/A, VXA1/A, VXA4/A, VXA5/A, VXA6/A, VXC1/A, VXD4/A, VXE1/A, VXE2/A, VXE4/A, VXE8/A, VXF/A, VXF4/A, VXP2/A, VXZ4/A, VYA3/A	
					-	-	1	-	-	-----	2180477	VYE3/A, VZE7/A, VZE8/A, VZE9	
					-	-	1	-	-	-----	2142841	-----	QWA6, QWF6, QXA, QXA3, QXA6, QXB1, QXC2, QXE1, QXE4, QXE5, QXE7, QXE8, QXF, QXF4, QXF6, QXF8, QXW2, QXW4, QYA, QZB, QZB2, QZB3, QZE3, QZE4, QZF1, QZF2, QZF8, QZX4, QZX5, TXF2, VDB2, VEP4, VXA1, VXA4, VXA5, VXA6, VXD4, VXE1, VXE2, VXE4, VXE8, VXF, VXF4, VXP2, VXZ4, VYA3, VYE3, VZE7, VZE8
					-	-	-	-	1	-----	1015208	VXC2/A	
					-	-	1	-	-	-----	2180478	-----	VYE3/A, VZE7/A, VZE8/A, VZE9
E-40	19		35100-ZA0-013	SWITCH ASSY., COMBINATION ....	1	-	1	-	-	-----	-----	VZE1, VZE7, VZE8	
					-	-	1	-	-	-----	2181170	VZE7/A, VZE8/A, VZE9	
					-	-	1	-	-	-----	2181171	VZE7/A, VZE8/A, VZE9	

NOTE A:PART NO. CHANGE D:NEWLY PROVIDED E:PART NO. DELETION K:REQUIRED NO. CORRECTION L:APPLICATION SERIAL NO. CORRECTION  
T:APPLICATION CORRECTION Z:REMARKS CHANGE



# PARTS CATALOGUE NEWS

Honda Motor Co., Ltd. Service Division

## PARTS CATALOGUE - CORRECTED

Printed in Japan

CODE NO.	BOOKLET TYPE	13ZJ10E7
	MICRO- FICHE	13ZJ10EG/FG
PARTS CATALOGUE NEWS	GX620 GX620K1 GX620 [PROPANE ENGINE] GX620K1 [PROPANE ENGINE]	
NEWS NO.	029	

Block No.	Ref. No.	Note	Part No.	Description	Reqd. QTY					Serial No.	Parts catalogue code
					GX 620 (1)	GX 620 (2)	GX 620 K1 (1)	GX 620 (3)	GX 620 K1 (2)		
E-6-1	31	T	96600-06016-00	BOLT, SOCKET, 6X16 .....	-	-	2	-	2	-----	QAB, QAB6, QAD2, QAF, QAF1, QAF2, QAF5, QAF6, QAF7, QAF8, QAF9, QAX1, QDF, QDF6, QDP2, QDW, QWA6, QWF6, QXA, QXA3, QXA6, QXB1, QXC2, QXE1, QXE4, QXE5, QXE7, QXE8, QXF, QXF3, QXF4, QXF6, QXF8, QXW2, QXW4, QYA, QYD, QYF, QZB, QZB2, QZB3, QZD, QZE3, QZE4, QZF1, QZF2, QZF8, QZX1, QZX4, QZX5, SAE1, SAF1, SYA, TXF2, VAB2, VAB3, VAF, VAF6, VDB2, VDC2, VEP4, VXA1, VXA4, VXA5, VXA6, VXC, VXC1, VXC2, VXD4, VXE1, VXE2, VXE4, VXE8, VXF, VXF4, VXP2, VXZ4, VYA1, VYA3, VYE3, VZA1, VZE7, VZE8
					-	-	2	-	-	-----	SAE1/A, SAF1/A, SYA/A, VAB3/A, VZE7/A, VZE8/A
					-	-	2	-	-	-----	2170463 QAB/A, QAB6/A, QAD2/A, QAF/A, QAF1/A, QAF2/A, QAF5/A, QAF6/A, QAF7/A, QAF8/A, QAF9/A, QAX1/A, QDF/A, QDF6/A, QDP2/A, QDW/A, QKW, QWA6/A, QWF6/A, QXA/A, QXA3/A, QXA6/A, QXB1/A, QXC2/A, QXE1/A, QXE4/A, QXE5/A, QXE7/A, QXE8/A, QXF/A, QXF4/A, QXF6/A, QXF8/A, QXW2/A, QXW4/A, QYA/A, QYD/A, QYF/A, QZB/A, QZB2/A, QZB3/A, QZD/A, QZE3/A, QZE4/A, QZF1/A, QZF2/A, QZF8/A, QZX1/A, QZX4/A, QZX5/A, TXF2/A, VAB2/A, VAF/A, VAF6/A, VDB2/A, VDC2/A, VEP4/A, VXA1/A, VXA4/A, VXA5/A, VXA6/A, VXD4/A, VXE1/A, VXE2/A, VXE4/A, VXE8/A, VXF/A, VXF4/A, VXP2/A, VXZ4/A, VYA3/A, VYE3/A
					-	-	-	-	2	-----	1010192 VXC/A, VXC1/A, VXC2/A

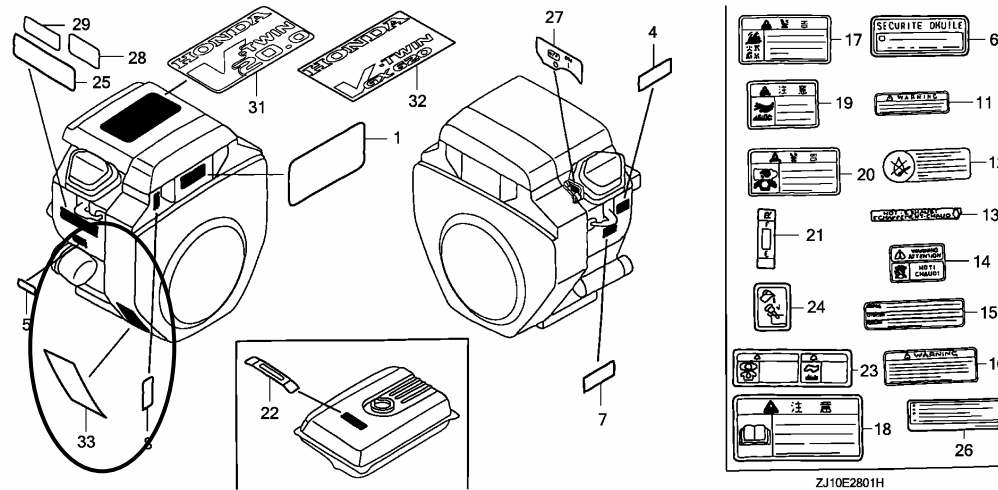
NOTE A:PART NO. CHANGE D:NEWLY PROVIDED E:PART NO. DELETION K:REQUIRED NO. CORRECTION L:APPLICATION SERIAL NO. CORRECTION  
T:APPLICATION CORRECTION Z:REMARKS CHANGE

PARTS CATALOGUE NEWS

BOOKNo. : 13ZJ10E7

Block No.	Ref. No.	Note	Part No.	Description	Reqd. QTY					Serial No.	Parts catalogue code
					GX 620 (1)	GX 620 (2)	GX 620 K1 (1)	GX 620 (3)	GX 620 K1 (2)		
		T	96600-06016-00	.....	-	-	3	-	-	-----	QKW1, QKW2, QKW3, VAY, VZE9
					-	-	3	-	-	2170458	SAE1/A, SAF1/A, SYA/A, VAB3/A, VZE7/A, VZE8/A
					-	-	3	-	-	2170464	QAB/A, QAB6/A, QAD2/A, QAF/A, QAF1/A, QAF2/A, QAF5/A, QAF6/A, QAF7/A, QAF8/A, QAF9/A, QAX1/A, QDF/A, QDF6/A, QDP2/A, QDW/A, QKW, QWA6/A, QWF6/A, QXA/A, QXA3/A, QXA6/A, QXB1/A, QXC2/A, QXE1/A, QXE4/A, QXE5/A, QXE7/A, QXE8/A, QXF/A, QXF4/A, QXF6/A, QXF8/A, QXW2/A, QXW4/A, QYA/A, QYD/A, QYF/A, QZB/A, QZB2/A, QZB3/A, QZD/A, QZE3/A, QZE4/A, QZF1/A, QZF2/A, QZF8/A, QZX1/A, QZX4/A, QZX5/A, TXF2/A, VAB2/A, VAF/A, VAF6/A, VDB2/A, VDC2/A, VEP4/A, VXA1/A, VXA4/A, VXA5/A, VXA6/A, VXD4/A, VXE1/A, VXE2/A, VXE4/A, VXE8/A, VXF/A, VXF4/A, VXP2/A, VXZ4/A, VYA3/A, VYE3/A
					-	-	-	-	3	1010193	VXC/A, VXC1/A, VXC2/A
E-22-2	9	T	16576-891-000	HOLDER, CABLE .....	-	-	2	-	-	-----	QAB, QAB/A, QAB6, QAB6/A, QAD2, QAD2/A, QDP2, QDP2/A, QWA6, QWA6/A, QXA, QXA/A, QXA6, QXA6/A, QXF3, QYA, QYA/A, QYD, QYD/A, TXF2, TXF2/A

E-28-1 LABEL (GX620K1)



NOTE A:PART NO. CHANGE D:NEWLY PROVIDED E:PART NO.DELETION K:REQUIRED NO. CORRECTION L:APPLICATION SERIAL NO. CORRECTION  
T:APPLICATION CORRECTION Z:REMARKS CHANGE

PARTS CATALOGUE NEWS

BOOKNo. : 13ZJ10E7

Block No.	Ref. No.	Note	Part No.	Description	Reqd. QTY					Serial No.	Parts catalogue code	
					GX 620 (1)	GX 620 (2)	GX 620 K1 (1)	GX 620 (3)	GX 620 K1 (2)			
E-28-1	30	E	87516-ZM7-801	*PARTS NO. DELETION								
	33	D	87516-ZM7-801	MARK, OPERATOR CAUTION .....	-	-	1	-	-	-----	-----	QKW1, QKW2, QKW3, VZE9
E-40-4	4	T	16910-ZE8-015	STRAINER COMP. , FUEL .....	-	-	1	-	-	-----	-----	QYD, QYD/A

NOTE A:PART NO. CHANGE D:NEWLY PROVIDED E:PART NO. DELETION K:REQUIRED NO. CORRECTION L:APPLICATION SERIAL NO. CORRECTION  
 T:APPLICATION CORRECTION Z:REMARKS CHANGE



# PARTS CATALOGUE NEWS

Honda Motor Co., Ltd. Service Division

November 01, 2007

CODE NO.	BOOKLET TYPE	13ZJ10E7
	MICRO- FICHE	13ZJ10EG/FG
PARTS CATALOGUE NEWS	GX620 GX620K1 GX620 [PROPANE ENGINE] GX620K1 [PROPANE ENGINE]	
NEWS NO.	030	

Printed in Japan

## GX620K1-VZE2 TYPE sales parts information

NOTE: This Parts Catalogue News explains only the parts of the different model that are produced to conform to addition of the GX620K1-VZE2 type.

As for the parts not listed on this Parts Catalogue News, use the parts of the GX620K1- VZE9 type.

- Models, parts catalogue codes and applicable serial numbers

Model	Type		Parts catalogue type	Applicable engine serial No.	Applicable carburetor identification No.
GX620K1	VZE9	Base type	VZE9	GCAD-2160001~	BG22G B / C
	VZE2	Additional type	VZE2		BG22G C

• Features of each type		Base type	Additional type
Specifications		Model	GX620K1
		Type	VZE9      VZE2
Crankshaft	25mm Ø Straight (L=130.5)		
	25mm Ø Straight (L=133.5)		
	25.4mm Ø Straight (L=139.5)		
	25.4mm Ø Straight (L=142.5)		
	28.575mm Ø Straight (L=163.5)		
	28.575mm Ø Straight (L=166.5)		
	M10 Tapered (L=160)	●	●
	M10 Tapered (L=163)		
	5/16" Tapered (L=160)		
	5/16" Tapered (L=163)		
	3/8" Tapered (L=105.5)		
	7/16" Tapered (L=160)		
Oil alert		●	●
Fuel tank			
Control box			
Recoil starter			
Starter motor		●	●
Auto throttle			
Battery		●	●
Oil cooler			
Winter kit			

## PARTS CATALOGUE NEWS

BOOKNo. : 13ZJ10E7

Block No.	Ref. No.	Part No.	Description	Reqd. QTY					Base Part No.	Parts catalogue code
				GX 620 (1)	GX 620 (2)	GX 620 K1 (1)	GX 620 (3)	GX 620 K1 (2)		
E-3-1	1	12000-ZJ1-416	BARREL ASSY., CYLINDER .....	-	-	1	-	-	12000-ZJ1-406	
E-8-1	1	13010-Z5H-004	RING SET, PISTON (STD.) (TEIKOKU)	-	-	2	-	-	13010-ZJ1-841	
		13011-Z5H-004	RING SET, PISTON (0.25) (TEIKOKU)	-	-	(2)	-	-	13011-ZJ1-841	
		13012-Z5H-004	RING SET, PISTON (0.50) (TEIKOKU)	-	-	(2)	-	-	13012-ZJ1-841	
		13013-Z5H-004	RING SET, PISTON (0.75) (TEIKOKU)	-	-	(2)	-	-	13013-ZJ1-841	
	2	13101-ZJ1-841	PISTON (STD.) .....	-	-	2	-	-	13101-ZJ1-840	
		13102-ZJ1-841	PISTON (0.25) .....	-	-	(2)	-	-	13102-ZJ1-840	
		13103-ZJ1-841	PISTON (0.50) .....	-	-	(2)	-	-	13103-ZJ1-840	
		13104-ZJ1-841	PISTON (0.75) .....	-	-	(2)	-	-	13104-ZJ1-840	
E-9-1	10	14730-ZJ1-842	LIFTER ASSY., VALVE .....	-	-	1	-	-	14730-ZJ1-841	
E-15-2	13	15772-551-000	CLIP, BREATHER TUBE .....	-	-	1	-	-		
E-28-1	4		LABEL, SPECIFICATION (GX620) .	-	-	0	-	-	87152-ZJ1-010	
	11	87522-883-660	MARK, CAUTION (ENGLISH/FRENCH/SPANISH)	-	-	1	-	-		
	15	87561-880-600	MARK, CAUTION (ENGLISH/FRENCH/SPANISH)	-	-	1	-	-		
	33	87516-Z0D-800	MARK, OPERATOR CAUTION .....	-	-	1	-	-	87516-ZM7-801	





# PARTS CATALOGUE NEWS

Honda Motor Co., Ltd. Service Division

## PARTS CATALOGUE - CORRECTED

Printed in Japan

CODE NO.	BOOKLET TYPE	13ZJ10E7
	MICRO-FICHE	13ZJ10EG/FG
PARTS CATALOGUE NEWS	GX620 GX620K1 GX620 [PROPANE ENGINE] GX620K1 [PROPANE ENGINE]	
NEWS NO.	031	

Block No.	Ref. No.	Note	Part No.	Description	Reqd. QTY					Serial No.	Parts catalogue code
					GX 620 (1)	GX 620 (2)	GX 620 K1 (1)	GX 620 (3)	GX 620 K1 (2)		
E-23	3		31620-ZG5-023	RECTIFIER ASSY., REGULATOR (20A)	-	-	1	-	-	2177900 -----	QAF8/A
					-	-	1	-	-	2177900 2183238	QAF5/A, QAF6/A, QKW2, QKW3
	A		31620-ZG5-033	.....	-	-	1	-	-	2183239 -----	QAF5/A, QAF6/A, QKW2, QKW3

NOTE A:PART NO. CHANGE D:NEWLY PROVIDED E:PART NO. DELETION K:REQUIRED NO. CORRECTION L:APPLICATION SERIAL NO. CORRECTION  
T:APPLICATION CORRECTION Z:REMARKS CHANGE



# PARTS CATALOGUE NEWS

Honda Motor Co., Ltd. Service Division

## PARTS CATALOGUE - CORRECTED

Printed in Japan

CODE NO.	BOOKLET TYPE	13ZJ10E7
	MICRO-FICHE	13ZJ10EG/FG
PARTS CATALOGUE NEWS	GX620 GX620K1 GX620 [PROPANE ENGINE] GX620K1 [PROPANE ENGINE]	
NEWS NO.	032	

Block No.	Ref. No.	Note	Part No.	Description	Reqd. QTY					Serial No.	Parts catalogue code	
					GX 620 (1)	GX 620 (2)	GX 620 K1 (1)	GX 620 (3)	GX 620 K1 (2)			
E-8-1	1	L	13010-ZJ1-841	RING SET, PISTON (STD.) (NIPPON)	-	-	2	-	-	-----	QAB, QAB/A, QAB6, QAB6/A, QAD2, QAD2/A, QAF, QAF/A, QAF1, QAF1/A, QAF2, QAF2/A, QAF5, QAF6, QAF7, QAF7/A, QAF8, QAF9, QAF9/A, QAX1, QAX1/A, QDF, QDF/A, QDF6, QDF6/A, QDP2, QDP2/A, QDW, QDW/A, QWA6, QWA6/A, QWF6, QWF6/A, QXA, QXA/A, QXA3, QXA3/A, QXA6, QXA6/A, QXB1, QXB1/A, QXC2, QXC2/A, QXE1, QXE1/A, QXE4, QXE4/A, QXE5, QXE7, QXE7/A, QXE8, QXE8/A, QXF, QXF/A, QXF3, QXF4, QXF4/A, QXF6, QXF6/A, QXF8, QXF8/A, QXW2, QXW2/A, QXW4, QXW4/A, QYA, QYA/A, QYD, QYD/A, QYF, QYF/A, QZB, QZB/A, QZB2, QZB2/A, QZB3, QZB3/A, QZD, QZE3, QZE3/A, QZE4, QZE4/A, QZF1, QZF1/A, QZF2, QZF2/A, QZF8, QZF8/A, QZX1, QZX1/A, QZX4, QZX4/A, QZX5, QZX5/A, SAE1, SAF1, SAF1/A, SYA, TXF2, TXF2/A, VAB2, VAB2/A, VAB3, VAB3/A, VAF, VAF/A, VAF6, VAF6/A, VDB2, VDB2/A, VDC2, VDC2/A, VEP4, VEP4/A, VXA1, VXA1/A, VXA4, VXA4/A, VXA5, VXA5/A, VXA6, VXA6/A, VXD4, VXD4/A, VXE1, VXE1/A, VXE2, VXE2/A, VXE4, VXE4/A, VXE8, VXE8/A, VXF, VXF/A, VXF4, VXF4/A, VXP2, VXP2/A, VXZ4, VXZ4/A, VYA1, VYA3, VYA3/A, VYE3, VZA1, VZE7, VZE8	
					-	-	2	-	-	-----	2184603	QAF5/A, QAF6/A, QAF8/A, QKW, QKW1, QKW2, QKW3, QXE5/A, QZD/A, SAE1/A, SYA/A, VAY, VYE3/A, VZE7/A, VZE8/A, VZE9

NOTE A:PART NO. CHANGE D:NEWLY PROVIDED E:PART NO. DELETION K:REQUIRED NO. CORRECTION L:APPLICATION SERIAL NO. CORRECTION  
 T:APPLICATION CORRECTION Z:REMARKS CHANGE

PARTS CATALOGUE NEWS

BOOKNo. : 13ZJ10E7

Block No.	Ref. No.	Note	Part No.	Description	Reqd. QTY					Serial No.	Parts catalogue code	
					GX 620	GX 620	GX 620 K1	GX 620	GX 620 K1			
					(1)	(2)	(1)	(3)	(2)			
					-	-	-	-	2			
		L	13011-ZJ1-841	RING SET, PISTON (0.25) (NIPPON)	-	-	(2)	-	-	-----	-----	QAB, QAB/A, QAB6, QAB6/A, QAD2, QAD2/A, QAF, QAF/A, QAF1, QAF1/A, QAF2, QAF2/A, QAF5, QAF6, QAF7, QAF7/A, QAF8, QAF9, QAF9/A, QAX1, QAX1/A, QDF, QDF/A, QDF6, QDF6/A, QDP2, QDP2/A, QDW, QDW/A, QWA6, QWA6/A, QWF6, QWF6/A, QXA, QXA/A, QXA3, QXA3/A, QXA6, QXA6/A, QXB1, QXB1/A, QXC2, QXC2/A, QXE1, QXE1/A, QXE4, QXE4/A, QXE5, QXE7, QXE7/A, QXE8, QXE8/A, QXF, QXF/A, QXF3, QXF4, QXF4/A, QXF6, QXF6/A, QXF8, QXF8/A, QXW2, QXW2/A, QXW4, QXW4/A, QYA, QYA/A, QYD, QYD/A, QYF, QYF/A, QZB, QZB/A, QZB2, QZB2/A, QZB3, QZB3/A, QZD, QZE3, QZE3/A, QZE4, QZE4/A, QZF1, QZF1/A, QZF2, QZF2/A, QZF8, QZF8/A, QZX1, QZX1/A, QZX4, QZX4/A, QZX5, QZX5/A, SAE1, SAF1, SAF1/A, SYA, TXF2, TXF2/A, VAB2, VAB2/A, VAB3, VAB3/A, VAF, VAF/A, VAF6, VAF6/A, VDB2, VDB2/A, VDC2, VDC2/A, VEP4, VEP4/A, VXA1, VXA1/A, VXA4, VXA4/A, VXA5, VXA5/A, VXA6, VXA6/A, VXD4, VXD4/A, VXE1, VXE1/A, VXE2, VXE2/A, VXE4, VXE4/A, VXE8, VXE8/A, VXF, VXF/A, VXF4, VXF4/A, VXP2, VXP2/A, VXZ4, VXZ4/A, VYA1, VYA3, VYA3/A, VYE3, VZA1, VZE7, VZE8
					-	-	(2)	-	-	-----	2184603	QAF5/A, QAF6/A, QAF8/A, QKW, QKW1, QKW2, QKW3, QXE5/A, QZD/A, SAE1/A, SYA/A, VAY, VYE3/A, VZE7/A, VZE8/A, VZE9
					-	-	-	-	(2)			

NOTE A:PART NO. CHANGE D:NEWLY PROVIDED E:PART NO. DELETION K:REQUIRED NO. CORRECTION L:APPLICATION SERIAL NO. CORRECTION  
T:APPLICATION CORRECTION Z:REMARKS CHANGE

PARTS CATALOGUE NEWS

BOOKNo. : 13ZJ10E7

Block No.	Ref. No.	Note	Part No.	Description	Reqd. QTY					Serial No.	Parts catalogue code	
					GX 620 (1)	GX 620 (2)	GX 620 K1 (1)	GX 620 (3)	GX 620 K1 (2)			
		L	13012-ZJ1-841	RING SET, PISTON (0.50) (NIPPON)	-	-	(2)	-	-	-----	-----	QAB, QAB/A, QAB6, QAB6/A, QAD2, QAD2/A, QAF, QAF/A, QAF1, QAF1/A, QAF2, QAF2/A, QAF5, QAF6, QAF7, QAF7/A, QAF8, QAF9, QAF9/A, QAX1, QAX1/A, QDF, QDF/A, QDF6, QDF6/A, QDP2, QDP2/A, QDW, QDW/A, QWA6, QWA6/A, QWF6, QWF6/A, QXA, QXA/A, QXA3, QXA3/A, QXA6, QXA6/A, QXB1, QXB1/A, QXC2, QXC2/A, QXE1, QXE1/A, QXE4, QXE4/A, QXE5, QXE7, QXE7/A, QXE8, QXE8/A, QXF, QXF/A, QXF3, QXF4, QXF4/A, QXF6, QXF6/A, QXF8, QXF8/A, QXW2, QXW2/A, QXW4, QXW4/A, QYA, QYA/A, QYD, QYD/A, QYF, QYF/A, QZB, QZB/A, QZB2, QZB2/A, QZB3, QZB3/A, QZD, QZE3, QZE3/A, QZE4, QZE4/A, QZF1, QZF1/A, QZF2, QZF2/A, QZF8, QZF8/A, QZX1, QZX1/A, QZX4, QZX4/A, QZX5, QZX5/A, SAE1, SAF1, SAF1/A, SYA, TXF2, TXF2/A, VAB2, VAB2/A, VAB3, VAB3/A, VAF, VAF/A, VAF6, VAF6/A, VDB2, VDB2/A, VDC2, VDC2/A, VEP4, VEP4/A, VXA1, VXA1/A, VXA4, VXA4/A, VXA5, VXA5/A, VXA6, VXA6/A, VXD4, VXD4/A, VXE1, VXE1/A, VXE2, VXE2/A, VXE4, VXE4/A, VXE8, VXE8/A, VXF, VXF/A, VXF4, VXF4/A, VXP2, VXP2/A, VXZ4, VXZ4/A, VYA1, VYA3, VYA3/A, VYE3, VZA1, VZE7, VZE8
					-	-	(2)	-	-	-----	2184603	QAF5/A, QAF6/A, QAF8/A, QKW, QKW1, QKW2, QKW3, QXE5/A, QZD/A, SAE1/A, SYA/A, VAY, VYE3/A, VZE7/A, VZE8/A, VZE9
					-	-	-	-	(2)			

NOTE A:PART NO. CHANGE D:NEWLY PROVIDED E:PART NO.DELETION K:REQUIRED NO. CORRECTION L:APPLICATION SERIAL NO. CORRECTION  
T:APPLICATION CORRECTION Z:REMARKS CHANGE

PARTS CATALOGUE NEWS

BOOKNo. : 13ZJ10E7

Block No.	Ref. No.	Note	Part No.	Description	Reqd. QTY					Serial No.	Parts catalogue code	
					GX 620 (1)	GX 620 (2)	GX 620 K1 (1)	GX 620 (3)	GX 620 K1 (2)			
		L	13013-ZJ1-841	RING SET, PISTON (0.75) (NIPPON)	-	-	(2)	-	-	-----	-----	QAB, QAB/A, QAB6, QAB6/A, QAD2, QAD2/A, QAF, QAF/A, QAF1, QAF1/A, QAF2, QAF2/A, QAF5, QAF6, QAF7, QAF7/A, QAF8, QAF9, QAF9/A, QAX1, QAX1/A, QDF, QDF/A, QDF6, QDF6/A, QDP2, QDP2/A, QDW, QDW/A, QWA6, QWA6/A, QWF6, QWF6/A, QXA, QXA/A, QXA3, QXA3/A, QXA6, QXA6/A, QXB1, QXB1/A, QXC2, QXC2/A, QXE1, QXE1/A, QXE4, QXE4/A, QXE5, QXE7, QXE7/A, QXE8, QXE8/A, QXF, QXF/A, QXF3, QXF4, QXF4/A, QXF6, QXF6/A, QXF8, QXF8/A, QXW2, QXW2/A, QXW4, QXW4/A, QYA, QYA/A, QYD, QYD/A, QYF, QYF/A, QZB, QZB/A, QZB2, QZB2/A, QZB3, QZB3/A, QZD, QZE3, QZE3/A, QZE4, QZE4/A, QZF1, QZF1/A, QZF2, QZF2/A, QZF8, QZF8/A, QZX1, QZX1/A, QZX4, QZX4/A, QZX5, QZX5/A, SAE1, SAF1, SAF1/A, SYA, TXF2, TXF2/A, VAB2, VAB2/A, VAB3, VAB3/A, VAF, VAF/A, VAF6, VAF6/A, VDB2, VDB2/A, VDC2, VDC2/A, VEP4, VEP4/A, VXA1, VXA1/A, VXA4, VXA4/A, VXA5, VXA5/A, VXA6, VXA6/A, VXD4, VXD4/A, VXE1, VXE1/A, VXE2, VXE2/A, VXE4, VXE4/A, VXE8, VXE8/A, VXF, VXF/A, VXF4, VXF4/A, VXP2, VXP2/A, VXZ4, VXZ4/A, VYA1, VYA3, VYA3/A, VYE3, VZA1, VZE7, VZE8
					-	-	(2)	-	-	-----	2184603	QAF5/A, QAF6/A, QAF8/A, QKW, QKW1, QKW2, QKW3, QXE5/A, QZD/A, SAE1/A, SYA/A, VAY, VYE3/A, VZE7/A, VZE8/A, VZE9
					-	-	-	-	(2)			
		T	13010-Z5H-004	RING SET, PISTON (STD.) (TEIKOKU)	-	-	2	-	-	-----	-----	VZE2
					-	-	2	-	-	2184604	-----	QAF5/A, QAF6/A, QAF8/A, QKW, QKW1, QKW2, QKW3, QXE5/A, QZD/A, SAE1/A, SYA/A, VAY, VYE3/A, VZE7/A, VZE8/A, VZE9
		T	13011-Z5H-004	RING SET, PISTON (0.25) (TEIKOKU)	-	-	(2)	-	-	-----	-----	VZE2
					-	-	(2)	-	-	2184604	-----	QAF5/A, QAF6/A, QAF8/A, QKW, QKW1, QKW2, QKW3, QXE5/A, QZD/A, SAE1/A, SYA/A, VAY, VYE3/A, VZE7/A, VZE8/A, VZE9
		T	13012-Z5H-004	RING SET, PISTON (0.50) (TEIKOKU)	-	-	(2)	-	-	-----	-----	VZE2
					-	-	(2)	-	-	2184604	-----	QAF5/A, QAF6/A, QAF8/A, QKW, QKW1, QKW2, QKW3, QXE5/A, QZD/A, SAE1/A, SYA/A, VAY, VYE3/A, VZE7/A, VZE8/A, VZE9

NOTE A:PART NO. CHANGE D:NEWLY PROVIDED E:PART NO. DELETION K:REQUIRED NO. CORRECTION L:APPLICATION SERIAL NO. CORRECTION  
T:APPLICATION CORRECTION Z:REMARKS CHANGE

PARTS CATALOGUE NEWS

BOOKNo. : 13ZJ10E7

Block No.	Ref. No.	Note	Part No.	Description	Reqd. QTY					Serial No.	Parts catalogue code	
					GX 620 (1)	GX 620 (2)	GX 620 K1 (1)	GX 620 (3)	GX 620 K1 (2)			
		T	13013-Z5H-004	RING SET, PISTON (0.75) (TEIKOKU)	-	-	(2)	-	-	-----	-----	VZE2
					-	-	(2)	-	-	2184604	-----	QAF5/A, QAF6/A, QAF8/A, QKW, QKW1, QKW2, QKW3, QXE5/A, QZD/A, SAE1/A, SYA/A, VAY, VYE3/A, VZE7/A, VZE8/A, VZE9
	2	L	13101-ZJ1-840	PISTON (STD.) .....	-	-	2	-	-	-----	-----	QAB, QAB/A, QAB6, QAB6/A, QAD2, QAD2/A, QAF, QAF/A, QAF1, QAF1/A, QAF2, QAF2/A, QAF5, QAF6, QAF7, QAF7/A, QAF8, QAF9, QAF9/A, QDF, QDF/A, QDF6, QDF6/A, QDP2, QDP2/A, QDW, QDW/A, QWA6, QWA6/A, QWF6, QWF6/A, QXA, QXA/A, QXA3, QXA3/A, QXA6, QXA6/A, QXB1, QXB1/A, QXC2, QXC2/A, QXE1, QXE1/A, QXE4, QXE4/A, QXE5, QXE7, QXE7/A, QXE8, QXE8/A, QXF, QXF/A, QXF3, QXF4, QXF4/A, QXF6, QXF6/A, QXF8, QXF8/A, QXW2, QXW2/A, QXW4, QXW4/A, QYA, QYA/A, QYD, QYD/A, QYF, QYF/A, QZB, QZB/A, QZB2, QZB2/A, QZB3, QZB3/A, QZD, QZE3, QZE3/A, QZE4, QZE4/A, QZF1, QZF1/A, QZF2, QZF2/A, QZF8, QZF8/A, QZX4, QZX4/A, QZX5, QZX5/A, SAE1, SAF1, SAF1/A, SYA, TXF2, TXF2/A, VAB2, VAB2/A, VAB3, VAB3/A, VAF, VAF/A, VAF6, VAF6/A, VDB2, VDB2/A, VDC2, VDC2/A, VEP4, VEP4/A, VXA1, VXA1/A, VXA4, VXA4/A, VXA5, VXA5/A, VXA6, VXA6/A, VXD4, VXD4/A, VXE1, VXE1/A, VXE2, VXE2/A, VXE4, VXE4/A, VXE8, VXE8/A, VXF, VXF/A, VXF4, VXF4/A, VXP2, VXP2/A, VXZ4, VXZ4/A, VYA1, VYA3, VYA3/A, VYE3, VZA1, VZE7, VZE8
					-	-	2	-	-	-----	2184603	QAF5/A, QAF6/A, QAF8/A, QKW, QKW1, QKW2, QKW3, QXE5/A, QZD/A, SAE1/A, SYA/A, VAY, VYE3/A, VZE7/A, VZE8/A, VZE9
					-	-	-	-	2			

NOTE A:PART NO. CHANGE D:NEWLY PROVIDED E:PART NO. DELETION K:REQUIRED NO. CORRECTION L:APPLICATION SERIAL NO. CORRECTION  
T:APPLICATION CORRECTION Z:REMARKS CHANGE

PARTS CATALOGUE NEWS

BOOKNo. : 13ZJ10E7

Block No.	Ref. No.	Note	Part No.	Description	Reqd. QTY					Serial No.	Parts catalogue code	
					GX 620	GX 620	GX 620	GX 620	GX 620			
					(1)	(2)	(1)	(3)	(2)			
		L	13102-ZJ1-840	PISTON (0.25) .....	-	-	(2)	-	-	-----	-----	QAB, QAB/A, QAB6, QAB6/A, QAD2, QAD2/A, QAF, QAF/A, QAF1, QAF1/A, QAF2, QAF2/A, QAF5, QAF6, QAF7, QAF7/A, QAF8, QAF9, QAF9/A, QDF, QDF/A, QDF6, QDF6/A, QDP2, QDP2/A, QDW, QDW/A, QWA6, QWA6/A, QWF6, QWF6/A, QXA, QXA/A, QXA3, QXA3/A, QXA6, QXA6/A, QXB1, QXB1/A, QXC2, QXC2/A, QXE1, QXE1/A, QXE4, QXE4/A, QXE5, QXE7, QXE7/A, QXE8, QXE8/A, QXF, QXF/A, QXF3, QXF4, QXF4/A, QXF6, QXF6/A, QXF8, QXF8/A, QXW2, QXW2/A, QXW4, QXW4/A, QYA, QYA/A, QYD, QYD/A, QYF, QYF/A, QZB, QZB/A, QZB2, QZB2/A, QZB3, QZB3/A, QZD, QZE3, QZE3/A, QZE4, QZE4/A, QZF1, QZF1/A, QZF2, QZF2/A, QZF8, QZF8/A, QZX4, QZX4/A, QZX5, QZX5/A, SAE1, SAF1, SAF1/A, SYA, TXF2, TXF2/A, VAB2, VAB2/A, VAB3, VAB3/A, VAF, VAF/A, VAF6, VAF6/A, VDB2, VDB2/A, VDC2, VDC2/A, VEP4, VEP4/A, VXA1, VXA1/A, VXA4, VXA4/A, VXA5, VXA5/A, VXA6, VXA6/A, VXD4, VXD4/A, VXE1, VXE1/A, VXE2, VXE2/A, VXE4, VXE4/A, VXE8, VXE8/A, VXF, VXF/A, VXF4, VXF4/A, VXP2, VXP2/A, VXZ4, VXZ4/A, VYA1, VYA3, VYA3/A, VYE3, VZA1, VZE7, VZE8
					-	-	(2)	-	-	-----	2184603	QAF5/A, QAF6/A, QAF8/A, QKW, QKW1, QKW2, QKW3, QXE5/A, QZD/A, SAE1/A, SYA/A, VAY, VYE3/A, VZE7/A, VZE8/A, VZE9
					-	-	-	-	(2)			
		L	13103-ZJ1-840	PISTON (0.50) .....	-	-	(2)	-	-	-----	-----	QAB, QAB/A, QAB6, QAB6/A, QAD2, QAD2/A, QAF, QAF/A, QAF1, QAF1/A, QAF2, QAF2/A, QAF5, QAF6, QAF7, QAF7/A, QAF8, QAF9, QAF9/A, QDF, QDF/A, QDF6, QDF6/A, QDP2, QDP2/A, QDW, QDW/A, QWA6, QWA6/A, QWF6, QWF6/A, QXA, QXA/A, QXA3, QXA3/A, QXA6, QXA6/A, QXB1, QXB1/A, QXC2, QXC2/A, QXE1, QXE1/A, QXE4, QXE4/A, QXE5, QXE7, QXE7/A, QXE8, QXE8/A, QXF, QXF/A, QXF3, QXF4, QXF4/A, QXF6, QXF6/A, QXF8, QXF8/A, QXW2, QXW2/A, QXW4, QXW4/A, QYA, QYA/A, QYD, QYD/A, QYF, QYF/A, QZB, QZB/A, QZB2, QZB2/A, QZB3, QZB3/A, QZD, QZE3, QZE3/A, QZE4, QZE4/A, QZF1, QZF1/A, QZF2, QZF2/A, QZF8, QZF8/A, QZX4, QZX4/A, QZX5, QZX5/A, SAE1, SAF1, SAF1/A, SYA, TXF2, TXF2/A, VAB2, VAB2/A, VAB3, VAB3/A, VAF, VAF/A, VAF6, VAF6/A, VDB2, VDB2/A, VDC2, VDC2/A, VEP4, VEP4/A, VXA1, VXA1/A, VXA4, VXA4/A, VXA5, VXA5/A, VXA6, VXA6/A, VXD4, VXD4/A, VXE1, VXE1/A, VXE2, VXE2/A, VXE4, VXE4/A, VXE8, VXE8/A, VXF, VXF/A, VXF4, VXF4/A, VXP2, VXP2/A, VXZ4, VXZ4/A, VYA1, VYA3, VYA3/A, VYE3, VZA1, VZE7, VZE8

NOTE A:PART NO. CHANGE D:NEWLY PROVIDED E:PART NO.DELETION K:REQUIRED NO. CORRECTION L:APPLICATION SERIAL NO. CORRECTION  
T:APPLICATION CORRECTION Z:REMARKS CHANGE

PARTS CATALOGUE NEWS

BOOKNo. : 13ZJ10E7

Block No.	Ref. No.	Note	Part No.	Description	Reqd. QTY					Serial No.	Parts catalogue code	
					GX 620	GX 620	GX 620 K1	GX 620	GX 620 K1			
					(1)	(2)	(1)	(3)	(2)			
					-	-	(2)	-	-	-----	2184603	QAF5/A, QAF6/A, QAF8/A, QKW, QKW1, QKW2, QKW3, QXE5/A QZD/A, SAE1/A, SYA/A, VAY, VYE3/A, VZE7/A, VZE8/A VZE9
					-	-	-	-	(2)			
	L		13104-ZJ1-840	PISTON (0.75) .....	-	-	(2)	-	-	-----	-----	QAB, QAB/A, QAB6, QAB6/A, QAD2, QAD2/A, QAF, QAF/A QAF1, QAF1/A, QAF2, QAF2/A, QAF5, QAF6, QAF7, QAF7/A QAF8, QAF9, QAF9/A, QDF, QDF/A, QDF6, QDF6/A, QDP2 QDP2/A, QDW, QDW/A, QWA6, QWA6/A, QWF6, QWF6/A, QXA QXA/A, QXA3, QXA3/A, QXA6, QXA6/A, QXB1, QXB1/A, QXC2 QXC2/A, QXE1, QXE1/A, QXE4, QXE4/A, QXE5, QXE7 QXE7/A, QXE8, QXE8/A, QXF, QXF/A, QXF3, QXF4, QXF4/A QXF6, QXF6/A, QXF8, QXF8/A, QXW2, QXW2/A, QXW4 QXW4/A, QYA, QYA/A, QYD, QYD/A, QYF, QYF/A, QZB, QZB/A QZB2, QZB2/A, QZB3, QZB3/A, QZD, QZE3, QZE3/A, QZE4 QZE4/A, QZF1, QZF1/A, QZF2, QZF2/A, QZF8, QZF8/A QZX4, QZX4/A, QZX5, QZX5/A, SAE1, SAF1, SAF1/A, SYA TXF2, TXF2/A, VAB2, VAB2/A, VAB3, VAB3/A, VAF, VAF/A VAF6, VAF6/A, VDB2, VDB2/A, VDC2, VDC2/A, VEP4 VEP4/A, VXA1, VXA1/A, VXA4, VXA4/A, VXA5, VXA5/A VXA6, VXA6/A, VXD4, VXD4/A, VXE1, VXE1/A, VXE2 VXE2/A, VXE4, VXE4/A, VXE8, VXE8/A, VXF, VXF/A, VXF4 VXF4/A, VXP2, VXP2/A, VXZ4, VXZ4/A, VYA1, VYA3 VYA3/A, VYE3, VZA1, VZE7, VZE8
					-	-	(2)	-	-	-----	2184603	QAF5/A, QAF6/A, QAF8/A, QKW, QKW1, QKW2, QKW3, QXE5/A QZD/A, SAE1/A, SYA/A, VAY, VYE3/A, VZE7/A, VZE8/A VZE9
					-	-	-	-	(2)			
	T		13101-ZJ1-841	PISTON (STD.) .....	-	-	2	-	-	-----	-----	VZE2
					-	-	2	-	-	2184604	-----	QAF5/A, QAF6/A, QAF8/A, QKW, QKW1, QKW2, QKW3, QXE5/A QZD/A, SAE1/A, SYA/A, VAY, VYE3/A, VZE7/A, VZE8/A VZE9
	T		13102-ZJ1-841	PISTON (0.25) .....	-	-	(2)	-	-	-----	-----	VZE2
					-	-	(2)	-	-	2184604	-----	QAF5/A, QAF6/A, QAF8/A, QKW, QKW1, QKW2, QKW3, QXE5/A QZD/A, SAE1/A, SYA/A, VAY, VYE3/A, VZE7/A, VZE8/A VZE9
	T		13103-ZJ1-841	PISTON (0.50) .....	-	-	(2)	-	-	-----	-----	VZE2

NOTE A:PART NO. CHANGE D:NEWLY PROVIDED E:PART NO.DELETION K:REQUIRED NO. CORRECTION L:APPLICATION SERIAL NO. CORRECTION  
T:APPLICATION CORRECTION Z:REMARKS CHANGE



PARTS CATALOGUE NEWS

BOOKNo. : 13ZJ10E7

Block No.	Ref. No.	Note	Part No.	Description	Reqd. QTY					Serial No.	Parts catalogue code	
					GX 620	GX 620	GX 620 K1	GX 620	GX 620 K1			
					(1)	(2)	(1)	(3)	(2)			
					-	-	(2)	-	-	2184604	-----	QAF5/A, QAF6/A, QAF8/A, QKW, QKW1, QKW2, QKW3, QXE5/A QZD/A, SAE1/A, SYA/A, VAY, VYE3/A, VZE7/A, VZE8/A VZE9
		T	13104-ZJ1-841	PISTON (0.75) .....	-	-	(2)	-	-	-----	-----	VZE2
					-	-	(2)	-	-	2184604	-----	QAF5/A, QAF6/A, QAF8/A, QKW, QKW1, QKW2, QKW3, QXE5/A QZD/A, SAE1/A, SYA/A, VAY, VYE3/A, VZE7/A, VZE8/A VZE9
E-9-1	10	L	14730-ZJ1-841	LIFTER ASSY., VALVE .....	-	-	1	-	-	-----	-----	QAB, QAB/A, QAB6, QAB6/A, QAD2, QAD2/A, QAF, QAF/A QAF1, QAF1/A, QAF2, QAF2/A, QAF5, QAF6, QAF7, QAF7/A QAF8, QAF8/A, QAF9, QAF9/A, QAX1, QAX1/A, QDF, QDF/A QDF6, QDF6/A, QDP2, QDP2/A, QDW, QDW/A, QWA6, QWA6/A QWF6, QWF6/A, QXA, QXA/A, QXA3, QXA3/A, QXA6, QXA6/A QXB1, QXB1/A, QXC2, QXC2/A, QXE1, QXE1/A, QXE4 QXE4/A, QXE5, QXE5/A, QXE7, QXE7/A, QXE8, QXE8/A, QXF QXF/A, QXF3, QXF4, QXF4/A, QXF6, QXF6/A, QXF8, QXF8/A QXW2, QXW2/A, QXW4, QXW4/A, QYA, QYA/A, QYD, QYD/A QYF, QYF/A, QZB, QZB/A, QZB2, QZB2/A, QZB3, QZB3/A QZD, QZE3, QZE3/A, QZE4, QZE4/A, QZF1, QZF1/A, QZF2 QZF2/A, QZF8, QZF8/A, QZX1, QZX1/A, QZX4, QZX4/A QZX5, QZX5/A, SAE1, SAF1, SAF1/A, SYA, TXF2, TXF2/A VAB2, VAB2/A, VAB3, VAB3/A, VAF, VAF/A, VAF6, VAF6/A VDB2, VDB2/A, VDC2, VDC2/A, VEP4, VEP4/A, VXA1 VXA1/A, VXA4, VXA4/A, VXA5, VXA5/A, VXA6, VXA6/A VXD4, VXD4/A, VXE1, VXE1/A, VXE2, VXE2/A, VXE4 VXE4/A, VXE8, VXE8/A, VXF, VXF/A, VXF4, VXF4/A, VXP2 VXP2/A, VXZ4, VXZ4/A, VYA1, VYA3, VYA3/A, VYE3, VZA1 VZE7, VZE8
					-	-	1	-	-	-----	2184115	QAF5/A, QAF6/A, QKW, QKW1, QKW2, QKW3, QZD/A, SAE1/A SYA/A, VAY, VYE3/A, VZE7/A, VZE8/A, VZE9
					-	-	-	-	1			
		T	14730-ZJ1-842	.....	-	-	1	-	-	-----	-----	VZE2
					-	-	1	-	-	2184116	-----	QAF5/A, QAF6/A, QKW, QKW1, QKW2, QKW3, QZD/A, SAE1/A SYA/A, VAY, VYE3/A, VZE7/A, VZE8/A, VZE9

NOTE A:PART NO. CHANGE D:NEWLY PROVIDED E:PART NO. DELETION K:REQUIRED NO. CORRECTION L:APPLICATION SERIAL NO. CORRECTION  
T:APPLICATION CORRECTION Z:REMARKS CHANGE



# PARTS CATALOGUE NEWS

Honda Motor Co., Ltd. Service Division

## PARTS CATALOGUE - CORRECTED

Printed in Japan

CODE NO.	BOOKLET TYPE	13ZJ10E7
	MICRO- FICHE	13ZJ10EG/FG
PARTS CATALOGUE NEWS	GX620 GX620K1 GX620 [PROPANE ENGINE] GX620K1 [PROPANE ENGINE]	
NEWS NO.	033	

Block No.	Ref. No.	Note	Part No.	Description	Reqd. QTY					Serial No.	Parts catalogue code
					GX 620 (1)	GX 620 (2)	GX 620 K1 (1)	GX 620 (3)	GX 620 K1 (2)		
E-23	4	T	31710-ZJ1-811	RECTIFIER ASSY. ....	1	-	1	1	1	-----	QAX1, QAX1/A, QDA1, QDE1, QWA6, QWA6/A, QXA, QXA/A, QXAP, QXAU, QXA1, QXA3, QXA3/A, QXA4, QXA6, QXA6/A, QXC2, QXC2/A, QXC4, QXE1, QXE1/A, QXE3, QXE5, QXE8, QXE8/A, QYA, QYA/A, QYA4, QZD, QZE3, QZE3/A, QZE4, QZE4/A, SAE1, VABP, VDB2/A, VXAP, VXAU, VXA1, VXA1/A, VXA3, VXA4, VXA4/A, VXA5, VXA5/A, VXA6, VXA6/A, VXC1, VXC1/A, VXC2, VXD4, VXD4/A, VXE1, VXE1/A, VXE2, VXE2/A, VXE4, VXE4/A, VXE8/A, VXP2, VXP2/A, VYA1, VYA3, VYA3/A, VYE3, VZA1, VZA3, VZD
					1	-	-	-	-	1028590	VXE8
					-	(1)	-	-	-		
					-	-	1	-	-	-----	VXE8
					-	-	1	-	-	-----	2180010 QKW, QKW1, QXE5/A, QZD/A, SAE1/A, VAY, VYE3/A
					-	-	1	-	-	2030545	VDB2
		T	31710-ZJ1-812	.....	-	-	1	-	-	2180011	QKW, QKW1, QXE5/A, QZD/A, SAE1/A, VAY, VYE3/A
					-	-	-	-	1	-----	VXC2/A

NOTE A:PART NO. CHANGE D:NEWLY PROVIDED E:PART NO. DELETION K:REQUIRED NO. CORRECTION L:APPLICATION SERIAL NO. CORRECTION  
 T:APPLICATION CORRECTION Z:REMARKS CHANGE



# PARTS CATALOGUE NEWS

Honda Motor Co., Ltd. Service Division

## PARTS CATALOGUE - CORRECTED

Printed in Japan

CODE NO.	BOOKLET TYPE	13ZJ10E7
	MICRO- FICHE	13ZJ10EG/FG
PARTS CATALOGUE NEWS	GX620 GX620K1 GX620 [PROPANE ENGINE] GX620K1 [PROPANE ENGINE]	
NEWS NO.	034	

Block No.	Ref. No.	Note	Part No.	Description	Reqd. QTY					Serial No.	Parts catalogue code
					GX 620 (1)	GX 620 (2)	GX 620 K1 (1)	GX 620 (3)	GX 620 K1 (2)		
E-3-1	1		12000-ZJ1-405	BARREL ASSY., CYLINDER .....	-	-	1	-	-	-----	QAB/A, QAB6/A, QAF/A, QAF1/A, QAF2/A, QAF7/A, QAF8/A, QAF9, QAF9/A, QDF/A, QDF6/A, QDP2, QDP2/A, QDW/A, QYF/A, SAF1/A, SYA, VAB2, VAB2/A, VAB3, VAB3/A, VAF/A, VAF6/A, VDC2, VDC2/A
					-	-	1	-	-	----- 2184471	QAF5/A, QAF6/A, QKW, QKW1, QKW2, QKW3, QZD/A, SAE1/A, SYA/A, VAY
					-	-	1	-	-	2031389 -----	QAB, QAB6, QAF, QAF1, QAF2, QAF5, QAF6, QAF7, QAF8, QDF, QDF6, QDW, QYF, QZD, SAE1, SAF1, VAF, VAF6
		A	12000-ZJ1-415	.....	-	-	1	-	-	2184472 -----	QAF5/A, QAF6/A, QKW, QKW1, QKW2, QKW3, QZD/A, SAE1/A, SYA/A, VAY

NOTE A:PART NO. CHANGE D:NEWLY PROVIDED E:PART NO. DELETION K:REQUIRED NO. CORRECTION L:APPLICATION SERIAL NO. CORRECTION  
T:APPLICATION CORRECTION Z:REMARKS CHANGE



# PARTS CATALOGUE NEWS

Honda Motor Co., Ltd. Service Division

## PARTS CATALOGUE - CORRECTED

Printed in Japan

CODE NO.	BOOKLET TYPE	13ZJ10E7
	MICRO-FICHE	13ZJ10EG/FG
PARTS CATALOGUE NEWS	GX620 GX620K1 GX620 [PROPANE ENGINE] GX620K1 [PROPANE ENGINE]	
NEWS NO.	035	

Block No.	Ref. No.	Note	Part No.	Description	Reqd. QTY					Serial No.	Parts catalogue code	
					GX 620 (1)	GX 620 (2)	GX 620 K1 (1)	GX 620 (3)	GX 620 K1 (2)			
E-3-1	1	L	12000-ZJ1-406	BARREL ASSY., CYLINDER .....	-	-	1	-	-	-----	-----	QWA6, QWA6/A, QWF6, QWF6/A, QXA/A, QXA3/A, QXA6/A, QXC2, QXC2/A, QXE1/A, QXE4/A, QXE5/A, QXF/A, QXF4/A, QXF6/A, QYA/A, QZB/A, QZB2, QZB2/A, QZB3, QZB3/A, QZE3/A, QZE4/A, QZF1/A, QZF2/A, QZF8, QZF8/A, QZX4/A, QZX5, QZX5/A, TXF2, TXF2/A, VDB2, VDB2/A, VEP4, VEP4/A, VXA1, VXA1/A, VXA4, VXA4/A, VXA5, VXA5/A, VXA6, VXA6/A, VXD4, VXD4/A, VXE1/A, VXE2, VXE2/A, VXE4/A, VXE8/A, VXF/A, VXF4/A, VXP2, VXP2/A, VXZ4/A, VYA3/A, VYE3
					-	-	1	-	-	-----	2184472	VYE3/A, VZE7/A, VZE8/A, VZE9
					-	-	1	-	-	2031987	-----	QXA, QXA3, QXA6, QXE1, QXE4, QXE5, QXF, QXF3, QXF4, QXF6, QYA, QZB, QZE3, QZE4, QZF1, QZF2, QZX4, VXE1, VXE4, VXE8, VXF, VXF4, VXZ4, VYA1, VYA3, VZA1, VZE7, VZE8
		T	12000-ZJ1-416	.....	-	-	1	-	-	-----	-----	VZE2
					-	-	1	-	-	2184473	-----	VYE3/A, VZE7/A, VZE8/A, VZE9
			12000-ZJ1-408	.....	-	-	1	-	1	-----	-----	QAD2, QAD2/A, QYD, QYD/A, SYA, VXC/A
					-	-	1	-	-	-----	2184603	SYA/A
					-	-	-	-	1	1001112	-----	VXC

NOTE A:PART NO. CHANGE D:NEWLY PROVIDED E:PART NO. DELETION K:REQUIRED NO. CORRECTION L:APPLICATION SERIAL NO. CORRECTION  
 T:APPLICATION CORRECTION Z:REMARKS CHANGE

PARTS CATALOGUE NEWS

BOOKNo. : 13ZJ10E7

Block No.	Ref. No.	Note	Part No.	Description	Reqd. QTY					Serial No.	Parts catalogue code
					GX 620 (1)	GX 620 (2)	GX 620 K1 (1)	GX 620 (3)	GX 620 K1 (2)		
		A	12000-ZJ1-418	.....	-	-	1	-	-	2184604 -----	SYA/A
E-22-3	2	T	16500-ZJ1-850	CONTROL ASSY. ....	-	-	1	-	-	-----	QAF1, QAF2, QAF6, QAF7, QAF9, QAX1, QDF, QDF6, QWF6 QXA3, QXB1, QXC2, QXE1, QXE5, QXE8, QXF4, QXF6, QXF8 QZB, QZB2, QZB3, QZE4, QZF1, QZF2, QZF8, QZX1, QZX4 QZX5, VAF, VAF6, VEP4, VXA1, VXE1, VXE4, VXF, VXP2 VXZ4, VYA1, VYA3, VYE3, VZA1
		T	16500-ZJ1-851	.....	-	-	1	-	-	-----	QAF1/A, QAF2/A, QAF6/A, QAF7/A, QAF9/A, QAX1/A QDF/A, QDF6/A, QKW, QKW1, QKW3, QWF6/A, QXA3/A QXB1/A, QXC2/A, QXE1/A, QXE5/A, QXE8/A, QXF4/A QXF6/A, QXF8/A, QZB/A, QZB2/A, QZB3/A, QZE4/A QZF1/A, QZF2/A, QZF8/A, QZX1/A, QZX4/A, QZX5/A VAF/A, VAF6/A, VAY, VEP4/A, VXA1/A, VXE1/A, VXE4/A VXF/A, VXP2/A, VXZ4/A, VYA3/A, VYE3/A
	8	T	16570-ZJ1-850	ARM COMP., CONTROL .....	-	-	1	-	-	-----	QAF1, QAF2, QAF6, QAF7, QAF9, QAX1, QDF, QDF6, QWF6 QXA3, QXB1, QXC2, QXE1, QXE5, QXE8, QXF4, QXF6, QXF8 QZB, QZB2, QZB3, QZE4, QZF1, QZF2, QZF8, QZX1, QZX4 QZX5, VAF, VAF6, VEP4, VXA1, VXE1, VXE4, VXF, VXP2 VXZ4, VYA1, VYA3, VYE3, VZA1
		T	16570-ZJ1-851	.....	-	-	1	-	-	-----	QAF1/A, QAF2/A, QAF6/A, QAF7/A, QAF9/A, QAX1/A QDF/A, QDF6/A, QKW, QKW1, QKW3, QWF6/A, QXA3/A QXB1/A, QXC2/A, QXE1/A, QXE5/A, QXE8/A, QXF4/A QXF6/A, QXF8/A, QZB/A, QZB2/A, QZB3/A, QZE4/A QZF1/A, QZF2/A, QZF8/A, QZX1/A, QZX4/A, QZX5/A VAF/A, VAF6/A, VAY, VEP4/A, VXA1/A, VXE1/A, VXE4/A VXF/A, VXP2/A, VXZ4/A, VYA3/A, VYE3/A

NOTE A:PART NO. CHANGE D:NEWLY PROVIDED E:PART NO.DELETION K:REQUIRED NO. CORRECTION L:APPLICATION SERIAL NO. CORRECTION  
T:APPLICATION CORRECTION Z:REMARKS CHANGE



# PARTS CATALOGUE NEWS

Honda Motor Co., Ltd. Service Division

Printed in Japan

CODE NO.	BOOKLET TYPE	13ZJ10E7
	MICRO-FICHE	13ZJ10EG/FG
PARTS CATALOGUE NEWS	GX620 GX620K1 GX620 [PROPANE ENGINE] GX620K1 [PROPANE ENGINE]	
NEWS NO.	036	

## GX620K1-QWD, VZS7 and VZS8 TYPES sales parts information

NOTE: This Parts Catalogue News explains only the parts of the different model that are produced to conform to addition of the GX620K1-QWD, VZS7 and VZS8 types.

As for the parts not listed on this Parts Catalogue News, use the parts of the GX620K1-QKW, VZE7 and VZE8 types.

- Models, parts catalogue codes and applicable serial numbers

Model	Type		Parts catalogue type	Applicable engine serial No.	Applicable carburetor identification No.
GX620K1	QKW	Base type	QKW	GCAD-2160001~	BG22G A / B / C
	QWD	Additional type	QWD		BG22G C
	VZE7	Base type	VZE7	GCAD-2000001~2159999	BG22G A
	VZS7	Additional type	VZS7	GCAD-2160001~	BG22G C
	VZE8	Base type	VZE8	GCAD-2000001~2159999	BG22G A
	VZS8	Additional type	VZS8	GCAD-2160001~	BG22G C

• Features of each type

		Base type	Additional type	Base type	Additional type	Base type	Additional type
Model		GX620K1					
Type		QKW	QWD	VZE7	VZS7	VZE8	VZS8
Specifications							
Crankshaft	25mm Ø Straight (L=130.5)						
	25mm Ø Straight (L=133.5)						
	25.4mm Ø Straight (L=139.5)	●	●				
	25.4mm Ø Straight (L=142.5)						
	28.575mm Ø Straight (L=163.5)						
	28.575mm Ø Straight (L=166.5)						
	M10 Tapered (L=160)			●	●	●	●
	M10 Tapered (L=163)						
	5/16" Tapered (L=160)						
	5/16" Tapered (L=163)						
	3/8" Tapered (L=105.5)						
	7/16" Tapered (L=160)						
Oil alert			●	●	●	●	
Fuel tank							
Control box		●					
Recoil starter							
Starter motor		●	●	●	●	●	
Auto throttle							
Battery			●	●	●	●	
Oil cooler							
Winter kit							

## PARTS CATALOGUE NEWS

BOOKNo. : 13ZJ10E7

Block No.	Ref. No.	Part No.	Description	Reqd. QTY					Base Part No.	Parts catalogue code
				GX 620 (1)	GX 620 (2)	GX 620 K1 (1)	GX 620 (3)	GX 620 K1 (2)		
E-2-1	8	12311-ZJ1-840	COVER, HEAD .....	-	-	1	-	-	VZS7, VZS8	
			COVER, HEAD FILLER .....	-	-	0	-	-	12314-ZJ1-840	VZS7, VZS8
	9	12314-ZJ1-840	COVER, HEAD .....	-	-	0	-	-	12311-ZJ1-840	VZS7, VZS8
			COVER, HEAD FILLER .....	-	-	1	-	-		VZS7, VZS8
	11	15611-MB0-000	CAP, OIL FILLER .....	-	-	1	-	-	VZS7, VZS8	
	12	15625-ZJ1-840	PACKING, OIL FILLER CAP .....	-	-	1	-	-	VZS7, VZS8	
	27		CAP, OIL FILLER .....	-	-	0	-	-	15611-MB0-000	VZS7, VZS8
28		PACKING, OIL FILLER CAP .....	-	-	0	-	-	15625-ZJ1-840	VZS7, VZS8	
E-3-1	1	12000-ZJ1-416	BARREL ASSY., CYLINDER .....	-	-	1	-	-	12000-ZJ1-406	VZS7, VZS8
	9	35480-ZJ1-842	SWITCH ASSY., OIL LEVEL .....	-	-	1	-	-	35480-ZJ1-841	VZS7, VZS8
	10	37240-ZG3-E01	SWITCH, OIL PRESSURE .....	-	-	1	-	-	35490-Z6D-003	QWD
	11	90002-ZG5-004	SCREW-WASHER, 4X8 .....	-	-	1	-	-	90002-ZW2-F01	QWD
E-6-1	1	11300-ZJ1-853	COVER ASSY., CRANKCASE .....	-	-	1	-	-	11300-ZJ1-851	VZS7, VZS8
	3	12105-ZA0-701	BOLT, SEALING .....	-	-	2	-	-		QWD
	4	15120-ZJ1-010	COVER ASSY., OIL PUMP (THREE BOLTS)	-	-	1	-	-	15120-ZJ1-000	VZS7, VZS8
	9	15410-ZJ1-820	BASE COMP., OIL FILTER (C) ...	-	-	1	-	-		QWD
	10		BASE, OIL FILTER .....	-	-	0	-	-	15411-ZJ1-840	QWD
	18	37240-ZG3-E01	SWITCH, OIL PRESSURE .....	-	-	1	-	-		QWD
	19	90002-ZG5-004	SCREW-WASHER, 4X8 .....	-	-	1	-	-		QWD
	20	90014-ZE6-000	BOLT, FLANGE, 6X35 (CT200) ....	-	-	2	-	-		VZS7, VZS8
		90014-ZE6-000	.....	-	-	3	-	-	90015-883-000	QWD
31	96600-06016-00	BOLT, SOCKET, 6X16 .....	-	-	3	-	-	96600-06016-00	VZS7, VZS8	
E-7	7		WASHER, 10.5X40X4 .....	-	-	0	-	-	90471-ZE3-000	QWD



## PARTS CATALOGUE NEWS

BOOKNo. : 13ZJ10E7

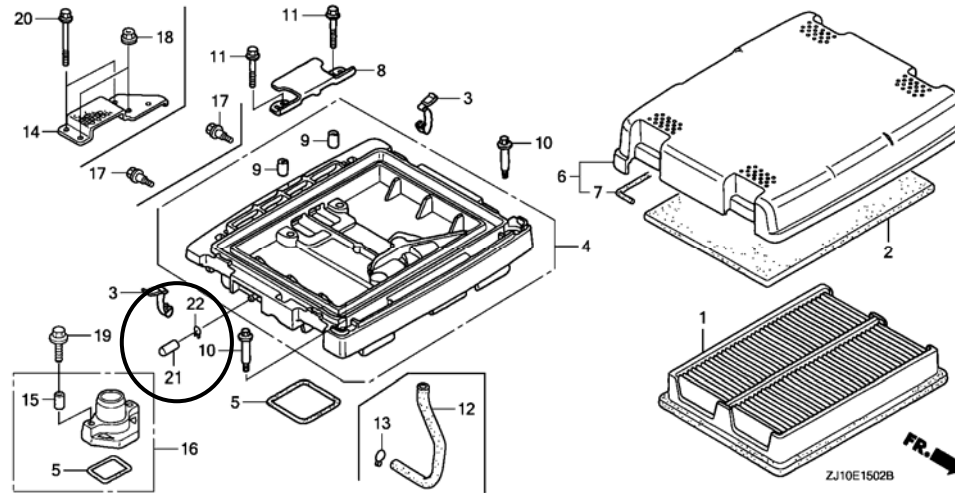
Block No.	Ref. No.	Part No.	Description	Reqd. QTY					Base Part No.	Parts catalogue code
				GX 620 (1)	GX 620 (2)	GX 620 K1 (1)	GX 620 (3)	GX 620 K1 (2)		
E-8-1	1	13010-Z5H-004	RING SET, PISTON (STD.) (TEIKOKU)	-	-	2	-	-	13010-ZJ1-841	VZS7, VZS8
		13011-Z5H-004	RING SET, PISTON (0.25) (TEIKOKU)	-	-	(2)	-	-	13011-ZJ1-841	VZS7, VZS8
		13012-Z5H-004	RING SET, PISTON (0.50) (TEIKOKU)	-	-	(2)	-	-	13012-ZJ1-841	VZS7, VZS8
		13013-Z5H-004	RING SET, PISTON (0.75) (TEIKOKU)	-	-	(2)	-	-	13013-ZJ1-841	VZS7, VZS8
	2	13101-ZJ1-841	PISTON (STD.) .....	-	-	2	-	-	13101-ZJ1-840	VZS7, VZS8
		13102-ZJ1-841	PISTON (0.25) .....	-	-	(2)	-	-	13102-ZJ1-840	VZS7, VZS8
		13103-ZJ1-841	PISTON (0.50) .....	-	-	(2)	-	-	13103-ZJ1-840	VZS7, VZS8
		13104-ZJ1-841	PISTON (0.75) .....	-	-	(2)	-	-	13104-ZJ1-840	VZS7, VZS8
	7	90551-ZE1-000	CLIP, PISTON PIN, 18MM .....	-	-	4	-	-	94601-18000	VZS7, VZS8
	E-9-1	10	14730-ZJ1-842	LIFTER ASSY., VALVE .....	-	-	1	-	-	14730-ZJ1-841
15		14771-ZE2-000	RETAINER, IN. VALVE SPRING (EXHAUST SIDE)	-	-	2	-	-		
E-12-1	1	16715-ZJ1-840	COVER, FUEL PUMP .....	-	-	1	-	-		QWD
	2		COVER, FUEL PUMP (MANUAL CONTROL)	-	-	0	-	-	16715-ZJ1-850	QWD
	3		COVER, FAN *R280*..... POWER RED	-	-	0	-	-	19611-ZJ1-840ZC	QWD
	5	19611-ZJ1-860ZC	COVER, FAN (P. T. O.) *R280*..... POWER RED	-	-	1	-	-		QWD
	15	34150-ZJ1-843	ALERT UNIT, OIL .....	-	-	1	-	-	34150-ZJ1-842	VZS7, VZS8
E-14-2	10	16100-ZJ1-843	CARBURETOR ASSY. (BG22G C) ...	-	-	1	-	-	16100-ZJ1-841	VZS7, VZS8
	16	16200-ZJ1-842	VALVE ASSY., SOLENOID .....	-	-	1	-	-	16200-ZJ1-841	VZS7, VZS8
	28	99101-ZJ4-1050	JET, MAIN, #105 .....	-	-	1	-	-		VZS7, VZS8

PARTS CATALOGUE NEWS

BOOKNo. : 13ZJ10E7

Block No.	Ref. No.	Part No.	Description	Reqd. QTY					Base Part No.	Parts catalogue code
				GX 620	GX 620	GX 620 K1	GX 620	GX 620 K1		

E-15-2 AIR CLEANER (3)



E-15-2	4	17220-Z6C-000	CASE COMP., AIR CLEANER .....	-	-	1	-	-	17220-ZJ1-840	QWD
	21	90634-ZL8-H00	CAP, SEALING .....	-	-	1	-	-		QWD
	22	95002-02100	CLIP, TUBE (B10) .....	-	-	1	-	-		QWD
E-16-2	2	18310-ZJ1-801	MUFFLER COMP. (SIDE-L) .....	-	-	1	-	-		QWD
	3	18321-ZJ1-841	PROTECTOR, MUFFLER (SIDE-L) ..	-	-	1	-	-		QWD
	4	18325-ZJ1-801	PROTECTOR, RR. MUFFLER (SIDE-L)	-	-	1	-	-		QWD
	6	18338-ZJ1-851	STAY, MUFFLER (SIDE-L) .....	-	-	1	-	-		QWD
	7	18396-ZJ1-003	BAND ASSY. ....	-	-	1	-	-		QWD
	8	95701-06008-00	BOLT, FLANGE, 6X8 .....	-	-	(4)	-	-		QWD
	9	95701-06008-00	BOLT, FLANGE, 6X8 .....	-	-	(3)	-	-		QWD
	10	95701-08014-00	BOLT, FLANGE, 8X14 .....	-	-	2	-	-		QWD

PARTS CATALOGUE NEWS

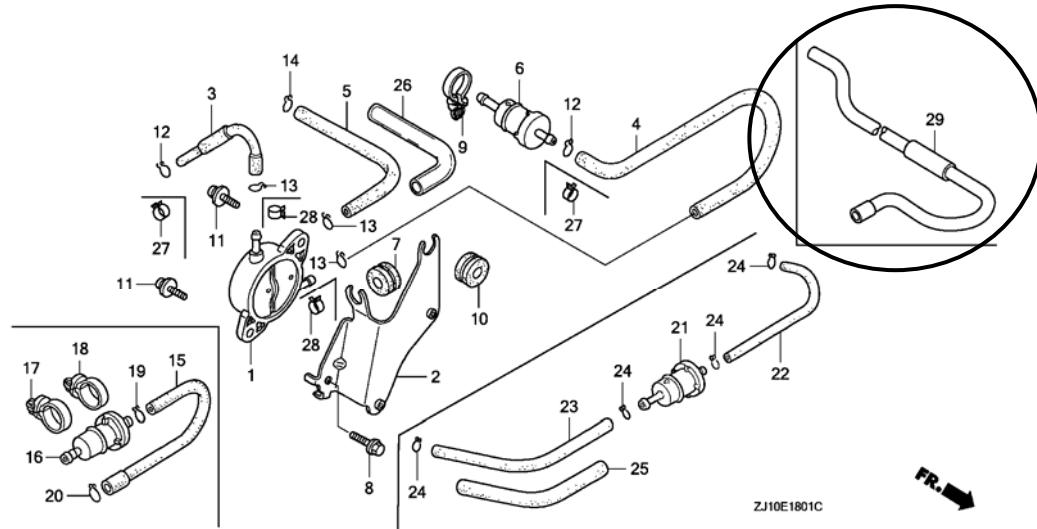
BOOKNo. : 13ZJ10E7

Block No.	Ref. No.	Part No.	Description	Reqd. QTY					Base Part No.	Parts catalogue code
				GX 620 (1)	GX 620 (2)	GX 620 K1 (1)	GX 620 (3)	GX 620 K1 (2)		
	11	95701-06050-00	BOLT, FLANGE, 6X50 .....	-	-	1	-	-		QWD
	12	18330-ZJ1-861	PIPE COMP., EX. (SIDE-L) .....	-	-	1	-	-		QWD
	13	18355-ZJ1-801	ARRESTER, SPARK .....	-	-	(1)	-	-		QWD
	14	18431-ZJ1-801	DEFLECTOR, MUFFLER .....	-	-	(1)	-	-		QWD
	15	90009-ZJ1-801	SCREW, (NELSON) .....	-	-	(4)	-	-		QWD
	16	93903-34110	SCREW, TAPPING, 4X8 .....	-	-	(4)	-	-		QWD
	17	95701-08050-00	BOLT, FLANGE, 8X50 .....	-	-	(1)	-	-		QWD

E-17-2	3	16950-ZA0-023	COCK ASSY., FUEL .....	-	-	1	-	-	16950-ZA0-013	VZS7, VZS8
--------	---	---------------	------------------------	---	---	---	---	---	---------------	------------

E-18-1 FUEL PUMP (GX620K1)

Ref. No.	(Relative ref. Number)	Description	FRT
4	(15, 29)	3101F7 TUBE B, FUEL .....	0.2



E-18-1	3	16850-Z6C-841	TUBE COMP. A, FUEL (FKM) .....	-	-	1	-	-	16850-ZJ1-840	QWD
	4		TUBE B, FUEL .....	-	-	0	-	-	16852-ZJ1-840	QWD
	12		CLIP, TUBE (B8) .....	-	-	0	-	-	95002-02080	QWD
	13	95002-02100	CLIP, TUBE (B10) .....	-	-	1	-	-	95002-02100	QWD

PARTS CATALOGUE NEWS

BOOKNo. : 13ZJ10E7

Block No.	Ref. No.	Part No.	Description	Reqd. QTY					Base Part No.	Parts catalogue code
				GX 620 (1)	GX 620 (2)	GX 620 K1 (1)	GX 620 (3)	GX 620 K1 (2)		
	14	95002-02080	CLIP, TUBE (B8) .....	-	-	1	-	-	95002-50000	VZS7, VZS8
	26	95003-25015-20	TUBE, VINYL, 9X11X150 (95003-25001-10M)	-	-	1	-	-		VZS7, VZS8
	27	95002-40800-08	CLAMP, TUBE (D8) .....	-	-	2	-	-		QWD
	28	95002-40850-08	CLAMP, TUBE (D8.5) .....	-	-	2	-	-		QWD
	29	16855-Z6C-841	TUBE COMP. B, FUEL (FKM) .....	-	-	1	-	-		QWD
E-19	2		PLATE, COOLING FAN SETTING ...	-	-	0	-	-	19513-ZJ1-000	QWD
	4	28452-ZJ1-811	GRID, SCREEN (P.T.O.) .....	-	-	1	-	-	28452-ZJ1-811	QWD
	7	31110-ZJ1-840	FLYWHEEL COMP. ....	-	-	1	-	-	31110-ZJ1-850	QWD
	13	95701-06012-00	BOLT, FLANGE, 6X12 .....	-	-	3	-	-		QWD
	14	95701-08016-00	BOLT, FLANGE, 8X16 .....	-	-	3	-	-		VZS7, VZS8
	15	23311-ZJ1-P80	SHAFT, FR. P.T.O. ....	-	-	1	-	-		QWD
	16	90111-KT0-670	BOLT, FLANGE, 8X50 .....	-	-	3	-	-		QWD
	17		BOLT, FLANGE, 8X16 .....	-	-	0	-	-	95701-08016-00	QWD
E-20	1	30500-ZJ1-845	COIL ASSY., IGNITION .....	-	-	1	-	-	30500-ZJ1-844	VZS7, VZS8
	5		COIL ASSY., CHARGE (12V/3A) ..	-	-	0	-	-	31630-ZJ1-013	QWD
		31630-ZJ1-013	.....	-	-	1	-	-	31630-ZJ1-003	VZS7, VZS8
	6	31630-ZJ1-802	COIL ASSY., CHARGE (12V/20A) .	-	-	1	-	-		QWD
	7	31740-ZJ1-852	DIODE ASSY., ENGINE STOP .....	-	-	1	-	-	31740-ZJ1-851	VZS7, VZS8
	9		BOLT, FLANGE, 6X35 (CT200) ....	-	-	0	-	-	90014-ZE6-000	QWD
		90031-ZE1-000	BOLT, FLANGE, 6X32 .....	-	-	2	-	-		VZS7, VZS8
	10	90031-ZE1-000	BOLT, FLANGE, 6X32 .....	-	-	6	-	-		QWD
	13		CLIP, WIRE HARNESS .....	-	-	0	-	-	32171-GJ1-003	QWD
	20	30550-ZJ1-845	COIL ASSY., IGNITION .....	-	-	1	-	-	30550-ZJ1-844	VZS7, VZS8
E-21-1	3	31200-ZJ1-842	MOTOR ASSY., STARTER .....	-	-	1	-	-	31200-ZJ1-841	VZS7, VZS8

PARTS CATALOGUE NEWS

BOOKNo. : 13ZJ10E7

Block No.	Ref. No.	Part No.	Description	Reqd. QTY					Base Part No.	Parts catalogue code
				GX 620 (1)	GX 620 (2)	GX 620 K1 (1)	GX 620 (3)	GX 620 K1 (2)		
	5	31204-ZJ1-H02	SWITCH ASSY., MAGNET .....	-	-	1	-	-	31204-ZJ1-H01	VZS7, VZS8
	17	31234-ZJ1-H02	COVER, TERMINAL .....	-	-	1	-	-	31234-ZJ1-H01	VZS7, VZS8
E-22-2	1	16263-883-W10	JOINT, ROD .....	-	-	1	-	-		QWD
	2	16500-ZJ1-910	CONTROL ASSY. ....	-	-	1	-	-		QWD
	3	16534-ZJ1-840	SPRING, STARTER .....	-	-	1	-	-		QWD
	4	16551-ZJ1-840	ARM, GOVERNOR .....	-	-	1	-	-		QWD
	5	16555-ZJ1-840	ROD, GOVERNOR .....	-	-	1	-	-		QWD
	6	16561-ZJ4-830	SPRING, GOVERNOR .....	-	-	1	-	-		QWD
	7	16562-ZJ1-840	SPRING, THROTTLE RETURN .....	-	-	1	-	-		QWD
	9	16576-891-000	HOLDER, CABLE .....	-	-	2	-	-		QWD
	10	16584-883-300	SPRING, CONTROL ADJUSTING ....	-	-	2	-	-		QWD
		16584-883-300	.....	-	-	2	-	-	16584-883-300	VZS7, VZS8
	11	16592-ZJ1-000	SPRING, CABLE RETURN .....	-	-	2	-	-		QWD
	12	16594-883-010	HOLDER, WIRE .....	-	-	2	-	-		QWD
	14	16611-ZJ1-840	ROD, CHOKE CONTROL .....	-	-	1	-	-		QWD
	18	90014-952-000	BOLT, FLANGE, 6X14 (CT200) ....	-	-	2	-	-		QWD
	19	90015-ZE3-790	BOLT, GOVERNOR ARM .....	-	-	1	-	-		QWD
	20	90605-230-000	CIRCLIP, 5MM .....	-	-	2	-	-		QWD
	22	92301-05016-0A	BOLT, RECESSED, 5X16 .....	-	-	2	-	-		QWD
	23	92301-05025-0A	BOLT, RECESSED, 5X25 .....	-	-	1	-	-		QWD
	24	92301-04006-0H	BOLT, RECESSED, 4X6 .....	-	-	2	-	-		QWD
	25	93500-05025-0A	SCREW, PAN, 5X25 .....	-	-	1	-	-		QWD
	26	94050-06000	NUT, FLANGE, 6MM .....	-	-	1	-	-		QWD
E-22-3	1		JOINT, ROD .....	-	-	0	-	-	16263-883-W10	QWD

## PARTS CATALOGUE NEWS

BOOKNo. : 13ZJ10E7

Block No.	Ref. No.	Part No.	Description	Reqd. QTY					Base Part No.	Parts catalogue code
				GX 620 (1)	GX 620 (2)	GX 620 K1 (1)	GX 620 (3)	GX 620 K1 (2)		
	2		CONTROL ASSY. ....	-	-	0	-	-	16500-ZJ1-851	QWD
	3		SPRING, STARTER ....	-	-	0	-	-	16534-ZJ1-840	QWD
	4		ARM, GOVERNOR ....	-	-	0	-	-	16551-ZJ1-840	QWD
	5		ROD, GOVERNOR ....	-	-	0	-	-	16555-ZJ1-840	QWD
	6		SPRING, GOVERNOR (MANUAL) ....	-	-	0	-	-	16561-ZJ1-850	QWD
	7		SPRING, THROTTLE RETURN ....	-	-	0	-	-	16562-ZJ1-840	QWD
	8		ARM COMP., CONTROL ....	-	-	0	-	-	16570-ZJ1-851	QWD
	9		SPRING, LEVER ....	-	-	0	-	-	16574-883-300	QWD
	10		WASHER, CONTROL ARM ....	-	-	0	-	-	16575-ZJ1-850	QWD
	11		SPACER, CONTROL LEVER ....	-	-	0	-	-	16576-883-300	QWD
	12		SPRING, CONTROL ADJUSTING ....	-	-	0	-	-	16584-883-300	QWD
	14		ROD, CHOKE CONTROL ....	-	-	0	-	-	16611-ZJ1-840	QWD
	15		ROD, CHOKE KNOB ....	-	-	0	-	-	16628-ZJ1-850	QWD
	16		LEVER ASSY., THROTTLE ....	-	-	0	-	-	17850-ZJ1-850	QWD
	17		KNOB, CHOKE ....	-	-	0	-	-	17951-921-030	QWD
	18		BUSH, LINKAGE ....	-	-	0	-	-	17957-ZV4-000	QWD
	19		BOLT, FLANGE, 6X14 (CT200) ....	-	-	0	-	-	90014-952-000	QWD
	20		BOLT, GOVERNOR ARM ....	-	-	0	-	-	90015-ZE3-790	QWD
	21		NUT, SELF-LOCK, 6MM ....	-	-	0	-	-	90114-SA0-000	QWD
	22		BOLT, RECESSED, 5X25 ....	-	-	0	-	-	92301-05025-0A	QWD
	23		SCREW, PAN, 5X25 ....	-	-	0	-	-	93500-05025-0A	QWD
	24		NUT, FLANGE, 6MM ....	-	-	0	-	-	94050-06000	QWD
	25		PIN, LOCK, 10MM ....	-	-	0	-	-	94251-10000	QWD
E-23	1		CASE, CONTROL ....	-	-	0	-	-	31612-ZE2-003	QWD

## PARTS CATALOGUE NEWS

BOOKNo. : 13ZJ10E7

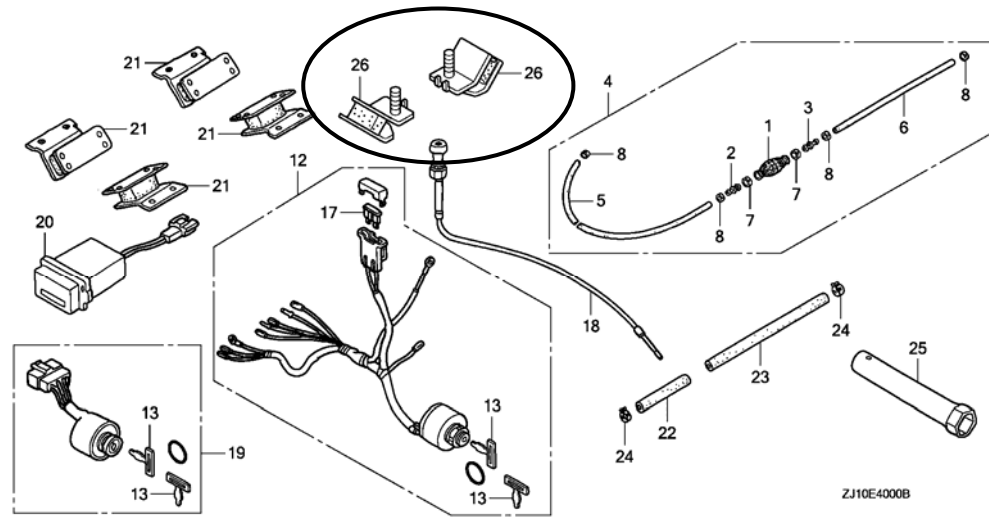
Block No.	Ref. No.	Part No.	Description	Reqd. QTY					Base Part No.	Parts catalogue code
				GX 620 (1)	GX 620 (2)	GX 620 K1 (1)	GX 620 (3)	GX 620 K1 (2)		
	2		BRACKET, CASE MOUNTING .....	-	-	0	-	-	31614-ZE2-003	QWD
	3	31620-ZG5-033	RECTIFIER ASSY., REGULATOR (20A)	-	-	1	-	-		QWD
	4		RECTIFIER ASSY. (10A) .....	-	-	0	-	-	31710-ZJ1-812	QWD
	5		BRACKET, WIRE HARNESS CLIP ...	-	-	0	-	-	32103-759-000	QWD
	7		BOX ASSY., CONTROL .....	-	-	0	-	-	32340-ZJ1-842	QWD
	8		PANEL COMP., CONTROL .....	-	-	0	-	-	32345-ZJ1-812	QWD
	9		STAY, CONTROL BOX .....	-	-	0	-	-	32349-ZJ1-840	QWD
	10		BAND .....	-	-	0	-	-	32902-892-003	QWD
	11		SWITCH ASSY., COMBINATION ....	-	-	0	-	-	35100-ZJ1-841	QWD
	12		KEY COMP. ....	-	-	0	-	-	35111-880-013	QWD
	13		HOLDER, STOP SWITCH CORD .....	-	-	0	-	-	36103-ZE1-000	QWD
	14		MARK, CONTROL BOX (EXTERNAL-REGULATOR)	-	-	0	-	-	87529-ZE2-861	QWD
	15		SCREW, SPECIAL, 6X12 .....	-	-	0	-	-	90380-MA6-010	QWD
	16		BAND, WIRE HARNESS, 150MM (BLUE)	-	-	0	-	-	90676-SA8-003	QWD
	17		TUBE, CORD, 30MM .....	-	-	0	-	-	91408-ZJ1-810	QWD
	18		SCREW, PAN, 4X12 .....	-	-	0	-	-	93500-04012-0H	QWD
	19		NUT, HEX., 4MM .....	-	-	0	-	-	94001-04080-0S	QWD
	20		WASHER, SPRING, 4MM .....	-	-	0	-	-	94111-04800	QWD
	21		BOLT, FLANGE, 6X10 .....	-	-	0	-	-	95701-06010-00	QWD
	22		BOLT, FLANGE, 6X12 .....	-	-	0	-	-	95701-06012-00	QWD
	23		BOLT, FLANGE, 6X32 .....	-	-	0	-	-	95701-06032-00	QWD
	24		FUSE, BLADE (25A) .....	-	-	0	-	-	98200-32500	QWD
	26		CLIP, WIRE HARNESS (BLACK) ...	-	-	0	-	-	91504-750-003	QWD

PARTS CATALOGUE NEWS

BOOKNo. : 13ZJ10E7

Block No.	Ref. No.	Part No.	Description	Reqd. QTY					Base Part No.	Parts catalogue code
				GX 620 (1)	GX 620 (2)	GX 620 K1 (1)	GX 620 (3)	GX 620 K1 (2)		
	27		CLIP, WIRE HARNESS .....	-	-	0	-	-	32171-GJ1-003	QWD
	29		PLUG, INNER CONNECTOR .....	-	-	0	-	-	32823-ZV5-003	QWD
E-28-1	1	87101-ZJ1-842	MARK, EMBLEM (GX620) .....	-	-	1	-	-	87101-ZJ1-841	VZS7, VZS8
	4		LABEL, SPECIFICATION (GX620) .	-	-	0	-	-	87152-ZJ1-010	
	8		MARK, THROTTLE INDICATION ....	-	-	0	-	-	87532-ZJ1-840	QWD
	18	87150-ZH8-000	MARK, CAUTION (JAPANESE) .....	-	-	1	-	-		QWD
	28		LABEL, E-SPEC (15.5X27.5) ....	-	-	0	-	-	87135-ZE2-020	VZS7, VZS8
	32		MARK, EMBLEM (GX620) .....	-	-	0	-	-	87101-ZJ1-P31	QWD
	33	87516-ZH7-810	MARK, OPERATOR CAUTION (PICTOGRAPH) (MADE IN JAPAN)	-	-	(1)	-	-		QWD
E-29	1		WRENCH, PLUG .....	-	-	0	-	-	89216-ZB4-000	QWD
	2	89218-ZE1-000	WRENCH COMP., SPARK PLUG .....	-	-	1	-	-		QWD

E-40 COMBINATION SWITCH (1)



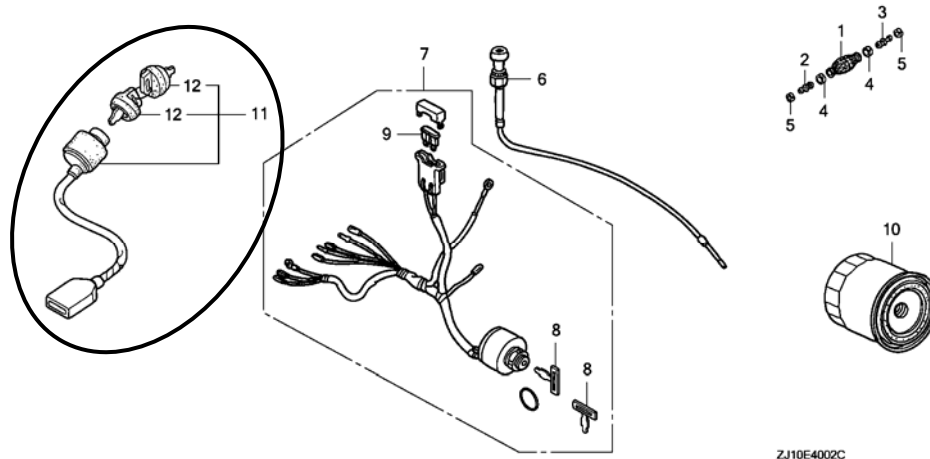


PARTS CATALOGUE NEWS

BOOKNo. : 13ZJ10E7

Block No.	Ref. No.	Part No.	Description	Reqd. QTY					Base Part No.	Parts catalogue code
				GX 620 (1)	GX 620 (2)	GX 620 K1 (1)	GX 620 (3)	GX 620 K1 (2)		
E-40	19	35100-ZA0-023	SWITCH ASSY., COMBINATION ....	-	-	1	-	-	35100-ZA0-013	VZS7, VZS8
	21		RUBBER, GENERATOR BOTTOM .....	-	-	0	-	-	68327-ZC6-000	VZS7, VZS8
	24	95002-40850-08	CLAMP, TUBE (D8.5) .....	-	-	4	-	-		VZS7, VZS8
	25	89216-ZB4-000	WRENCH, PLUG .....	-	-	1	-	-		VZS7, VZS8
	26	68325-Z26-000	RUBBER, BOTTOM .....	-	-	4	-	-		VZS7, VZS8

E-40-2 COMBINATION SWITCH (3)



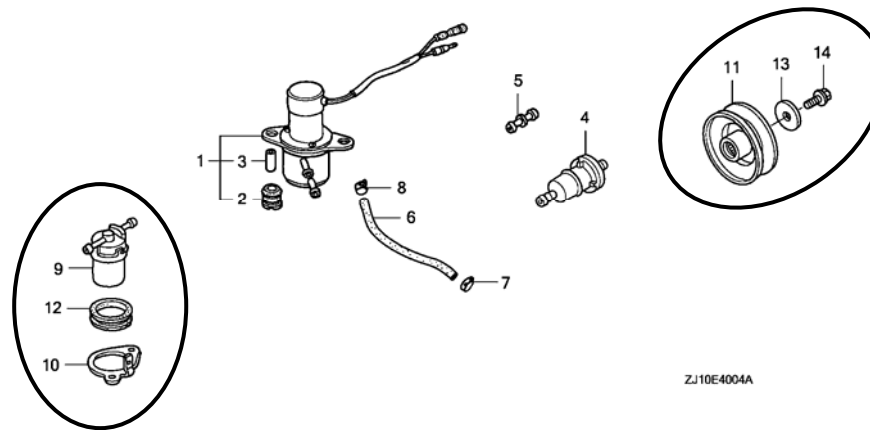
E-40-2	11	35100-768-S01	SWITCH ASSY., COMBINATION ....	-	-	1	-	-		QWD
	12	35110-736-612	KEY ASSY., COMBINATION SWITCH	-	-	2	-	-		QWD

PARTS CATALOGUE NEWS

BOOKNo. : 13ZJ10E7

Block No.	Ref. No.	Part No.	Description	Reqd. QTY					Base Part No.	Parts catalogue code
				GX 620 (1)	GX 620 (2)	GX 620 K1 (1)	GX 620 (3)	GX 620 K1 (2)		

E-40-4 FUEL PUMP



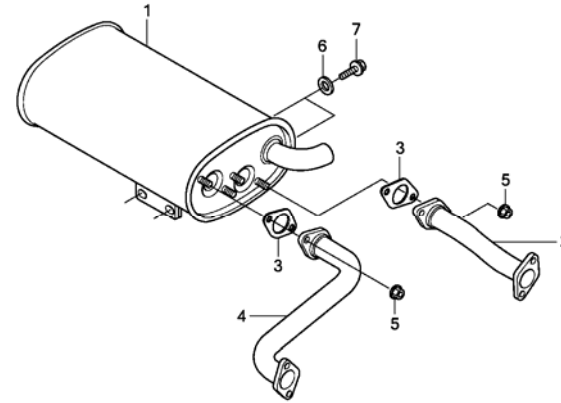
ZJ10E4004A

E-40-4	4	16910-ZE8-015	STRAINER COMP., FUEL .....	-	-	1	-	-	VZS7, VZS8
	9	16900-SA5-004	STRAINER COMP., FUEL (TOYO ROKI)	-	-	1	-	-	QWD
	10	16914-ZW1-000	STAY, FUEL STRAINER .....	-	-	1	-	-	QWD
	11	22411-797-000	PULLEY, WHEEL DRIVE .....	-	-	1	-	-	QWD
	12	40146-ZV5-000	GROMMET, FUEL STRAINER .....	-	-	1	-	-	QWD
	13	90534-706-010	WASHER, LOCK, 8MM .....	-	-	1	-	-	QWD
	14	95701-08020-08	BOLT, FLANGE, 8X20 .....	-	-	1	-	-	QWD

PARTS CATALOGUE NEWS

BOOKNo. : 13ZJ10E7

Block No.	Ref. No.	Part No.	Description	Reqd. QTY					Base Part No.	Parts catalogue code
				GX 620 (1)	GX 620 (2)	GX 620 K1 (1)	GX 620 (3)	GX 620 K1 (2)		
E-40-5		MUFFLER								



ZJ10E4005

E-40-5	1	18310-Z26-003	MUFFLER COMP. ....	-	-	1	-	-	VZS7, VZS8
	2	18330-Z26-003	PIPE COMP., R. EX. ....	-	-	1	-	-	VZS7, VZS8
	3	18333-ZB4-800	GASKET, EX. PIPE ....	-	-	2	-	-	VZS7, VZS8
	4	18340-Z26-003	PIPE COMP., L. EX. ....	-	-	1	-	-	VZS7, VZS8
	5	94050-08000	NUT, FLANGE, 8MM ....	-	-	4	-	-	VZS7, VZS8
	6	94103-08800	WASHER, PLAIN, 8MM ....	-	-	2	-	-	VZS7, VZS8
	7	95701-08030-08	BOLT, FLANGE, 8X30 ....	-	-	2	-	-	VZS7, VZS8



# PARTS CATALOGUE NEWS

Honda Motor Co., Ltd. Service Division

## PARTS CATALOGUE - CORRECTED

Printed in Japan

CODE NO.	BOOKLET TYPE	13ZJ10E7
	MICRO- FICHE	13ZJ10EG/FG
PARTS CATALOGUE NEWS	GX620 GX620K1 GX620 [PROPANE ENGINE] GX620K1 [PROPANE ENGINE]	
NEWS NO.	037	

Block No.	Ref. No.	Note	Part No.	Description	Reqd. QTY					Serial No.	Parts catalogue code	
					GX 620 (1)	GX 620 (2)	GX 620 K1 (1)	GX 620 (3)	GX 620 K1 (2)			
E-22-2	12	K	16594-883-010	HOLDER, WIRE .....	-	-	1	-	-	-----	QKW2, SAE1/A, SAF1, SAF1/A, SYA, SYA/A, VAB2, VAB2/A, VZE2, VZE7/A, VZE8/A, VZE9, VZS7, VZS8	
					-	-	1	-	-	-----	2007455 QXF	
					-	-	2	-	1	-----	QDP2, QDP2/A, QWD, QXF3, QYD, QYD/A, VXC1, VXC1/A	
					-	-	2	-	-	-----	2006523 QAF, QAF5, QAF8, QDW, QYF, QZE3, SAE1, VXE8, VXF4	
					-	-	1	-	-	-----	QAF/A, QAF5/A, QAF8/A, QDW/A, QYF/A, QZE3/A, VXE8/A, VXF4/A, VZS7, VZS8	
	30	L		16617-ZJ1-840	HOLDER, CABLE .....	-	-	1	-	-	2006524	QAF, QAF5, QAF8, QDW, QYF, QZE3, SAE1, VXE8, VXF4
						-	-	2	-	-	-----	QWD
						-	-	1	-	-	-----	QAF/A, QAF5/A, QAF8/A, QDW/A, QKW2, QXE4, QXE4/A, QXE7, QXE7/A, QXF/A, QXW2, QXW2/A, QXW4, QXW4/A, QYF/A, QZD, QZD/A, QZE3/A, SAE1/A, SYA, SYA/A, VAB2, VAB2/A, VXE8/A, VXF4/A
						-	-	1	-	-	2006524	QAF, QAF5, QAF8, QDW, QYF, QZE3, SAE1, VXE8, VXF4
						-	-	1	-	-	2007456	QXF
-	-	2	-	1	-----	QAD2, QAD2/A, VXC1, VXC1/A						

NOTE A:PART NO. CHANGE D:NEWLY PROVIDED E:PART NO. DELETION K:REQUIRED NO. CORRECTION L:APPLICATION SERIAL NO. CORRECTION  
 T:APPLICATION CORRECTION Z:REMARKS CHANGE



# PARTS CATALOGUE NEWS

Honda Motor Co., Ltd. Service Division

## PARTS CATALOGUE - CORRECTED

Printed in Japan

CODE NO.	BOOKLET TYPE	13ZJ10E7
	MICRO- FICHE	13ZJ10EG/FG
PARTS CATALOGUE NEWS	GX620 GX620K1 GX620 [PROPANE ENGINE] GX620K1 [PROPANE ENGINE]	
NEWS NO.	038	

Block No.	Ref. No.	Note	Part No.	Description	Reqd. QTY					Serial No.	Parts catalogue code	
					GX 620 (1)	GX 620 (2)	GX 620 K1 (1)	GX 620 (3)	GX 620 K1 (2)			
E-8-1	1	L	13010-ZJ1-841	RING SET, PISTON (STD.) (NIPPON)	-	-	2	-	2	-----	QAB, QAB/A, QAB6, QAB6/A, QAD2, QAD2/A, QAF, QAF/A, QAF1, QAF1/A, QAF2, QAF2/A, QAF5, QAF6, QAF7, QAF7/A, QAF8, QAF9, QAF9/A, QAX1, QAX1/A, QDF, QDF/A, QDF6, QDF6/A, QDP2, QDP2/A, QDW, QDW/A, QWA6, QWA6/A, QWF6, QWF6/A, QXA, QXA/A, QXA3, QXA3/A, QXA6, QXA6/A, QXB1, QXB1/A, QXC2, QXC2/A, QXE1, QXE1/A, QXE4, QXE4/A, QXE5, QXE7, QXE7/A, QXE8, QXE8/A, QXF, QXF/A, QXF3, QXF4, QXF4/A, QXF6, QXF6/A, QXF8, QXF8/A, QXW2, QXW2/A, QXW4, QXW4/A, QYA, QYA/A, QYD, QYD/A, QYF, QYF/A, QZB, QZB/A, QZB2, QZB2/A, QZB3, QZB3/A, QZD, QZE3, QZE3/A, QZE4, QZE4/A, QZF1, QZF1/A, QZF2, QZF2/A, QZF8, QZF8/A, QZX1, QZX1/A, QZX4, QZX4/A, QZX5, QZX5/A, SAE1, SAF1, SAF1/A, SYA, TXF2, TXF2/A, VAB2, VAB2/A, VAB3, VAB3/A, VAF, VAF/A, VAF6, VAF6/A, VDB2, VDB2/A, VDC2, VDC2/A, VEP4, VEP4/A, VXA1, VXA1/A, VXA4, VXA4/A, VXA5, VXA5/A, VXA6, VXA6/A, VXC, VXC1, VXC1/A, VXC2, VXD4, VXD4/A, VXE1, VXE1/A, VXE2, VXE2/A, VXE4, VXE4/A, VXE8, VXE8/A, VXF, VXF/A, VXF4, VXF4/A, VXP2, VXP2/A, VXZ4, VXZ4/A, VYA1, VYA3, VYA3/A, VYE3, VZA1, VZE7, VZE8	
					-	-	2	-	-	-----	2184603	QAF5/A, QAF6/A, QAF8/A, QKW, QKW1, QKW2, QKW3, QXE5/A, QZD/A, SAE1/A, SYA/A, VAY, VYE3/A, VZE7/A, VZE8/A, VZE9

NOTE A:PART NO. CHANGE D:NEWLY PROVIDED E:PART NO. DELETION K:REQUIRED NO. CORRECTION L:APPLICATION SERIAL NO. CORRECTION  
T:APPLICATION CORRECTION Z:REMARKS CHANGE

PARTS CATALOGUE NEWS

BOOKNo. : 13ZJ10E7

Block No.	Ref. No.	Note	Part No.	Description	Reqd. QTY					Serial No.	Parts catalogue code	
					GX 620	GX 620	GX 620 K1	GX 620	GX 620 K1			
					(1)	(2)	(1)	(3)	(2)			
					-	-	-	-	2	----- 1010195	VXC/A, VXC2/A	
		L	13011-ZJ1-841	RING SET, PISTON (0.25) (NIPPON)	-	-	(2)	-	(2)	-----	-----	QAB, QAB/A, QAB6, QAB6/A, QAD2, QAD2/A, QAF, QAF/A, QAF1, QAF1/A, QAF2, QAF2/A, QAF5, QAF6, QAF7, QAF7/A, QAF8, QAF9, QAF9/A, QAX1, QAX1/A, QDF, QDF/A, QDF6, QDF6/A, QDP2, QDP2/A, QDW, QDW/A, QWA6, QWA6/A, QWF6, QWF6/A, QXA, QXA/A, QXA3, QXA3/A, QXA6, QXA6/A, QXB1, QXB1/A, QXC2, QXC2/A, QXE1, QXE1/A, QXE4, QXE4/A, QXE5, QXE7, QXE7/A, QXE8, QXE8/A, QXF, QXF/A, QXF3, QXF4, QXF4/A, QXF6, QXF6/A, QXF8, QXF8/A, QXW2, QXW2/A, QXW4, QXW4/A, QYA, QYA/A, QYD, QYD/A, QYF, QYF/A, QZB, QZB/A, QZB2, QZB2/A, QZB3, QZB3/A, QZD, QZE3, QZE3/A, QZE4, QZE4/A, QZF1, QZF1/A, QZF2, QZF2/A, QZF8, QZF8/A, QZX1, QZX1/A, QZX4, QZX4/A, QZX5, QZX5/A, SAE1, SAF1, SAF1/A, SYA, TXF2, TXF2/A, VAB2, VAB2/A, VAB3, VAB3/A, VAF, VAF/A, VAF6, VAF6/A, VDB2, VDB2/A, VDC2, VDC2/A, VEP4, VEP4/A, VXA1, VXA1/A, VXA4, VXA4/A, VXA5, VXA5/A, VXA6, VXA6/A, VXC, VXC1, VXC1/A, VXC2, VXD4, VXD4/A, VXE1, VXE1/A, VXE2, VXE2/A, VXE4, VXE4/A, VXE8, VXE8/A, VXF, VXF/A, VXF4, VXF4/A, VXP2, VXP2/A, VXZ4, VXZ4/A, VYA1, VYA3, VYA3/A, VYE3, VZA1, VZE7, VZE8
					-	-	(2)	-	-	----- 2184603	QAF5/A, QAF6/A, QAF8/A, QKW, QKW1, QKW2, QKW3, QXE5/A, QZD/A, SAE1/A, SYA/A, VAY, VYE3/A, VZE7/A, VZE8/A, VZE9	
					-	-	-	-	(2)	----- 1010195	VXC/A, VXC2/A	

NOTE A:PART NO. CHANGE D:NEWLY PROVIDED E:PART NO.DELETION K:REQUIRED NO. CORRECTION L:APPLICATION SERIAL NO. CORRECTION  
T:APPLICATION CORRECTION Z:REMARKS CHANGE

PARTS CATALOGUE NEWS

BOOKNo. : 13ZJ10E7

Block No.	Ref. No.	Note	Part No.	Description	Reqd. QTY					Serial No.	Parts catalogue code									
					GX 620 (1)	GX 620 (2)	GX 620 K1 (1)	GX 620 (3)	GX 620 K1 (2)											
		L	13012-ZJ1-841	RING SET, PISTON (0.50) (NIPPON)	-	-	(2)	-	(2)	-----	-----	QAB, QAB/A, QAB6, QAB6/A, QAD2, QAD2/A, QAF, QAF/A, QAF1, QAF1/A, QAF2, QAF2/A, QAF5, QAF6, QAF7, QAF7/A, QAF8, QAF9, QAF9/A, QAX1, QAX1/A, QDF, QDF/A, QDF6, QDF6/A, QDP2, QDP2/A, QDW, QDW/A, QWA6, QWA6/A, QWF6, QWF6/A, QXA, QXA/A, QXA3, QXA3/A, QXA6, QXA6/A, QXB1, QXB1/A, QXC2, QXC2/A, QXE1, QXE1/A, QXE4, QXE4/A, QXE5, QXE7, QXE7/A, QXE8, QXE8/A, QXF, QXF/A, QXF3, QXF4, QXF4/A, QXF6, QXF6/A, QXF8, QXF8/A, QXW2, QXW2/A, QXW4, QXW4/A, QYA, QYA/A, QYD, QYD/A, QYF, QYF/A, QZB, QZB/A, QZB2, QZB2/A, QZB3, QZB3/A, QZD, QZE3, QZE3/A, QZE4, QZE4/A, QZF1, QZF1/A, QZF2, QZF2/A, QZF8, QZF8/A, QZX1, QZX1/A, QZX4, QZX4/A, QZX5, QZX5/A, SAE1, SAF1, SAF1/A, SYA, TXF2, TXF2/A, VAB2, VAB2/A, VAB3, VAB3/A, VAF, VAF/A, VAF6, VAF6/A, VDB2, VDB2/A, VDC2, VDC2/A, VEP4, VEP4/A, VXA1, VXA1/A, VXA4, VXA4/A, VXA5, VXA5/A, VXA6, VXA6/A, VXC, VXC1, VXC1/A, VXC2, VXD4, VXD4/A, VXE1, VXE1/A, VXE2, VXE2/A, VXE4, VXE4/A, VXE8, VXE8/A, VXF, VXF/A, VXF4, VXF4/A, VXP2, VXP2/A, VXZ4, VXZ4/A, VYA1, VYA3, VYA3/A, VYE3, VZA1, VZE7, VZE8								
					-	-	(2)	-	-	-----	2184603	QAF5/A, QAF6/A, QAF8/A, QKW, QKW1, QKW2, QKW3, QXE5/A, QZD/A, SAE1/A, SYA/A, VAY, VYE3/A, VZE7/A, VZE8/A, VZE9								
					-	-	-	-	(2)	-----	1010195	VXC/A, VXC2/A								

NOTE A:PART NO. CHANGE D:NEWLY PROVIDED E:PART NO. DELETION K:REQUIRED NO. CORRECTION L:APPLICATION SERIAL NO. CORRECTION  
T:APPLICATION CORRECTION Z:REMARKS CHANGE

PARTS CATALOGUE NEWS

BOOKNo. : 13ZJ10E7

Block No.	Ref. No.	Note	Part No.	Description	Reqd. QTY					Serial No.	Parts catalogue code	
					GX 620 (1)	GX 620 (2)	GX 620 K1 (1)	GX 620 (3)	GX 620 K1 (2)			
		L	13013-ZJ1-841	RING SET, PISTON (0.75) (NIPPON)	-	-	(2)	-	(2)	-----	-----	QAB, QAB/A, QAB6, QAB6/A, QAD2, QAD2/A, QAF, QAF/A, QAF1, QAF1/A, QAF2, QAF2/A, QAF5, QAF6, QAF7, QAF7/A, QAF8, QAF9, QAF9/A, QAX1, QAX1/A, QDF, QDF/A, QDF6, QDF6/A, QDP2, QDP2/A, QDW, QDW/A, QWA6, QWA6/A, QWF6, QWF6/A, QXA, QXA/A, QXA3, QXA3/A, QXA6, QXA6/A, QXB1, QXB1/A, QXC2, QXC2/A, QXE1, QXE1/A, QXE4, QXE4/A, QXE5, QXE7, QXE7/A, QXE8, QXE8/A, QXF, QXF/A, QXF3, QXF4, QXF4/A, QXF6, QXF6/A, QXF8, QXF8/A, QXW2, QXW2/A, QXW4, QXW4/A, QYA, QYA/A, QYD, QYD/A, QYF, QYF/A, QZB, QZB/A, QZB2, QZB2/A, QZB3, QZB3/A, QZD, QZE3, QZE3/A, QZE4, QZE4/A, QZF1, QZF1/A, QZF2, QZF2/A, QZF8, QZF8/A, QZX1, QZX1/A, QZX4, QZX4/A, QZX5, QZX5/A, SAE1, SAF1, SAF1/A, SYA, TXF2, TXF2/A, VAB2, VAB2/A, VAB3, VAB3/A, VAF, VAF/A, VAF6, VAF6/A, VDB2, VDB2/A, VDC2, VDC2/A, VEP4, VEP4/A, VXA1, VXA1/A, VXA4, VXA4/A, VXA5, VXA5/A, VXA6, VXA6/A, VXC, VXC1, VXC1/A, VXC2, VXD4, VXD4/A, VXE1, VXE1/A, VXE2, VXE2/A, VXE4, VXE4/A, VXE8, VXE8/A, VXF, VXF/A, VXF4, VXF4/A, VXP2, VXP2/A, VXZ4, VXZ4/A, VYA1, VYA3, VYA3/A, VYE3, VZA1, VZE7, VZE8
					-	-	(2)	-	-	-----	2184603	QAF5/A, QAF6/A, QAF8/A, QKW, QKW1, QKW2, QKW3, QXE5/A, QZD/A, SAE1/A, SYA/A, VAY, VYE3/A, VZE7/A, VZE8/A, VZE9
					-	-	-	-	(2)	-----	1010195	VXC/A, VXC2/A
		T	13010-Z5H-004	RING SET, PISTON (STD.) (TEIKOKU)	-	-	2	-	-	-----	-----	QWD, VZE2, VZS7, VZS8
					-	-	2	-	-	2184604	-----	QAF5/A, QAF6/A, QAF8/A, QKW, QKW1, QKW2, QKW3, QXE5/A, QZD/A, SAE1/A, SYA/A, VAY, VYE3/A, VZE7/A, VZE8/A, VZE9
					-	-	-	-	2	1010196	-----	VXC/A, VXC2/A
		T	13011-Z5H-004	RING SET, PISTON (0.25) (TEIKOKU)	-	-	(2)	-	-	-----	-----	QWD, VZE2, VZS7, VZS8
					-	-	(2)	-	-	2184604	-----	QAF5/A, QAF6/A, QAF8/A, QKW, QKW1, QKW2, QKW3, QXE5/A, QZD/A, SAE1/A, SYA/A, VAY, VYE3/A, VZE7/A, VZE8/A, VZE9
					-	-	-	-	(2)	1010196	-----	VXC/A, VXC2/A
		T	13012-Z5H-004	RING SET, PISTON (0.50) (TEIKOKU)	-	-	(2)	-	-	-----	-----	QWD, VZE2, VZS7, VZS8

NOTE A:PART NO. CHANGE D:NEWLY PROVIDED E:PART NO.DELETION K:REQUIRED NO. CORRECTION L:APPLICATION SERIAL NO. CORRECTION  
T:APPLICATION CORRECTION Z:REMARKS CHANGE



PARTS CATALOGUE NEWS

BOOKNo. : 13ZJ10E7

Block No.	Ref. No.	Note	Part No.	Description	Reqd. QTY					Serial No.	Parts catalogue code		
					GX 620	GX 620	GX 620 K1	GX 620	GX 620 K1				
					(1)	(2)	(1)	(3)	(2)				
					-	-	(2)	-	-	2184604	-----	QAF5/A, QAF6/A, QAF8/A, QKW, QKW1, QKW2, QKW3, QXE5/A, QZD/A, SAE1/A, SYA/A, VAY, VYE3/A, VZE7/A, VZE8/A, VZE9	
					-	-	-	-	(2)	1010196	-----	VXC/A, VXC2/A	
		T	13013-Z5H-004	RING SET, PISTON (0.75) (TEIKOKU)	-	-	(2)	-	-	-----	-----	QWD, VZE2, VZS7, VZS8	
					-	-	(2)	-	-	2184604	-----	QAF5/A, QAF6/A, QAF8/A, QKW, QKW1, QKW2, QKW3, QXE5/A, QZD/A, SAE1/A, SYA/A, VAY, VYE3/A, VZE7/A, VZE8/A, VZE9	
					-	-	-	-	(2)	1010196	-----	VXC/A, VXC2/A	
		2	L	13101-ZJ1-840	PISTON (STD.) .....	-	-	2	-	2	-----	-----	QAB, QAB/A, QAB6, QAB6/A, QAD2, QAD2/A, QAF, QAF/A, QAF1, QAF1/A, QAF2, QAF2/A, QAF5, QAF6, QAF7, QAF7/A, QAF8, QAF9, QAF9/A, QDF, QDF/A, QDF6, QDF6/A, QDP2, QDP2/A, QDW, QDW/A, QWA6, QWA6/A, QWF6, QWF6/A, QXA, QXA/A, QXA3, QXA3/A, QXA6, QXA6/A, QXB1, QXB1/A, QXC2, QXC2/A, QXE1, QXE1/A, QXE4, QXE4/A, QXE5, QXE7, QXE7/A, QXE8, QXE8/A, QXF, QXF/A, QXF3, QXF4, QXF4/A, QXF6, QXF6/A, QXF8, QXF8/A, QXW2, QXW2/A, QXW4, QXW4/A, QYA, QYA/A, QYD, QYD/A, QYF, QYF/A, QZB, QZB/A, QZB2, QZB2/A, QZB3, QZB3/A, QZD, QZE3, QZE3/A, QZE4, QZE4/A, QZF1, QZF1/A, QZF2, QZF2/A, QZF8, QZF8/A, QZX4, QZX4/A, QZX5, QZX5/A, SAE1, SAF1, SAF1/A, SYA, TXF2, TXF2/A, VAB2, VAB2/A, VAB3, VAB3/A, VAF, VAF/A, VAF6, VAF6/A, VDB2, VDB2/A, VDC2, VDC2/A, VEP4, VEP4/A, VXA1, VXA1/A, VXA4, VXA4/A, VXA5, VXA5/A, VXA6, VXA6/A, VXC, VXC1, VXC1/A, VXC2, VXD4, VXD4/A, VXE1, VXE1/A, VXE2, VXE2/A, VXE4, VXE4/A, VXE8, VXE8/A, VXF, VXF/A, VXF4, VXF4/A, VXP2, VXP2/A, VXZ4, VXZ4/A, VYA1, VYA3, VYA3/A, VYE3, VZA1, VZE7, VZE8
					-	-	2	-	-	-----	2184603	-----	QAF5/A, QAF6/A, QAF8/A, QKW, QKW1, QKW2, QKW3, QXE5/A, QZD/A, SAE1/A, SYA/A, VAY, VYE3/A, VZE7/A, VZE8/A, VZE9
					-	-	-	-	2	-----	1010195	-----	VXC/A, VXC2/A

NOTE A:PART NO. CHANGE D:NEWLY PROVIDED E:PART NO. DELETION K:REQUIRED NO. CORRECTION L:APPLICATION SERIAL NO. CORRECTION  
T:APPLICATION CORRECTION Z:REMARKS CHANGE

PARTS CATALOGUE NEWS

BOOKNo. : 13ZJ10E7

Block No.	Ref. No.	Note	Part No.	Description	Reqd. QTY					Serial No.	Parts catalogue code	
					GX 620	GX 620	GX 620	GX 620	GX 620			
					(1)	(2)	(1)	(3)	(2)			
		L	13102-ZJ1-840	PISTON (0.25) .....	-	-	(2)	-	(2)	-----	-----	QAB, QAB/A, QAB6, QAB6/A, QAD2, QAD2/A, QAF, QAF/A, QAF1, QAF1/A, QAF2, QAF2/A, QAF5, QAF6, QAF7, QAF7/A, QAF8, QAF9, QAF9/A, QDF, QDF/A, QDF6, QDF6/A, QDP2, QDP2/A, QDW, QDW/A, QWA6, QWA6/A, QWF6, QWF6/A, QXA, QXA/A, QXA3, QXA3/A, QXA6, QXA6/A, QXB1, QXB1/A, QXC2, QXC2/A, QXE1, QXE1/A, QXE4, QXE4/A, QXE5, QXE7, QXE7/A, QXE8, QXE8/A, QXF, QXF/A, QXF3, QXF4, QXF4/A, QXF6, QXF6/A, QXF8, QXF8/A, QXW2, QXW2/A, QXW4, QXW4/A, QYA, QYA/A, QYD, QYD/A, QYF, QYF/A, QZB, QZB/A, QZB2, QZB2/A, QZB3, QZB3/A, QZD, QZE3, QZE3/A, QZE4, QZE4/A, QZF1, QZF1/A, QZF2, QZF2/A, QZF8, QZF8/A, QZX4, QZX4/A, QZX5, QZX5/A, SAE1, SAF1, SAF1/A, SYA, TXF2, TXF2/A, VAB2, VAB2/A, VAB3, VAB3/A, VAF, VAF/A, VAF6, VAF6/A, VDB2, VDB2/A, VDC2, VDC2/A, VEP4, VEP4/A, VXA1, VXA1/A, VXA4, VXA4/A, VXA5, VXA5/A, VXA6, VXA6/A, VXC, VXC1, VXC1/A, VXC2, VXD4, VXD4/A, VXE1, VXE1/A, VXE2, VXE2/A, VXE4, VXE4/A, VXE8, VXE8/A, VXF, VXF/A, VXF4, VXF4/A, VXP2, VXP2/A, VXZ4, VXZ4/A, VYA1, VYA3, VYA3/A, VYE3, VZA1, VZE7, VZE8
					-	-	(2)	-	-	-----	2184603	QAF5/A, QAF6/A, QAF8/A, QKW, QKW1, QKW2, QKW3, QXE5/A, QZD/A, SAE1/A, SYA/A, VAY, VYE3/A, VZE7/A, VZE8/A, VZE9
					-	-	-	-	(2)	-----	1010195	VXC/A, VXC2/A
		L	13103-ZJ1-840	PISTON (0.50) .....	-	-	(2)	-	(2)	-----	-----	QAB, QAB/A, QAB6, QAB6/A, QAD2, QAD2/A, QAF, QAF/A, QAF1, QAF1/A, QAF2, QAF2/A, QAF5, QAF6, QAF7, QAF7/A, QAF8, QAF9, QAF9/A, QDF, QDF/A, QDF6, QDF6/A, QDP2, QDP2/A, QDW, QDW/A, QWA6, QWA6/A, QWF6, QWF6/A, QXA, QXA/A, QXA3, QXA3/A, QXA6, QXA6/A, QXB1, QXB1/A, QXC2, QXC2/A, QXE1, QXE1/A, QXE4, QXE4/A, QXE5, QXE7, QXE7/A, QXE8, QXE8/A, QXF, QXF/A, QXF3, QXF4, QXF4/A, QXF6, QXF6/A, QXF8, QXF8/A, QXW2, QXW2/A, QXW4, QXW4/A, QYA, QYA/A, QYD, QYD/A, QYF, QYF/A, QZB, QZB/A, QZB2, QZB2/A, QZB3, QZB3/A, QZD, QZE3, QZE3/A, QZE4, QZE4/A, QZF1, QZF1/A, QZF2, QZF2/A, QZF8, QZF8/A, QZX4, QZX4/A, QZX5, QZX5/A, SAE1, SAF1, SAF1/A, SYA, TXF2, TXF2/A, VAB2, VAB2/A, VAB3, VAB3/A, VAF, VAF/A, VAF6, VAF6/A, VDB2, VDB2/A, VDC2, VDC2/A, VEP4, VEP4/A, VXA1, VXA1/A, VXA4, VXA4/A, VXA5, VXA5/A, VXA6, VXA6/A, VXC, VXC1, VXC1/A, VXC2, VXD4, VXD4/A, VXE1, VXE1/A, VXE2, VXE2/A, VXE4, VXE4/A, VXE8, VXE8/A, VXF, VXF/A, VXF4, VXF4/A, VXP2, VXP2/A, VXZ4, VXZ4/A, VYA1, VYA3, VYA3/A, VYE3, VZA1, VZE7, VZE8

NOTE A:PART NO. CHANGE D:NEWLY PROVIDED E:PART NO.DELETION K:REQUIRED NO. CORRECTION L:APPLICATION SERIAL NO. CORRECTION  
T:APPLICATION CORRECTION Z:REMARKS CHANGE

PARTS CATALOGUE NEWS

BOOKNo. : 13ZJ10E7

Block No.	Ref. No.	Note	Part No.	Description	Reqd. QTY					Serial No.	Parts catalogue code	
					GX 620	GX 620	GX 620 K1	GX 620	GX 620 K1			
					(1)	(2)	(1)	(3)	(2)			
					-	-	(2)	-	-	-----	2184603	QAF5/A, QAF6/A, QAF8/A, QKW, QKW1, QKW2, QKW3, QXE5/A, QZD/A, SAE1/A, SYA/A, VAY, VYE3/A, VZE7/A, VZE8/A, VZE9
					-	-	-	-	(2)	-----	1010195	VXC/A, VXC2/A
		L	13104-ZJ1-840	PISTON (0.75) .....	-	-	(2)	-	(2)	-----	-----	QAB, QAB/A, QAB6, QAB6/A, QAD2, QAD2/A, QAF, QAF/A, QAF1, QAF1/A, QAF2, QAF2/A, QAF5, QAF6, QAF7, QAF7/A, QAF8, QAF9, QAF9/A, QDF, QDF/A, QDF6, QDF6/A, QDP2, QDP2/A, QDW, QDW/A, QWA6, QWA6/A, QWF6, QWF6/A, QXA, QXA/A, QXA3, QXA3/A, QXA6, QXA6/A, QXB1, QXB1/A, QXC2, QXC2/A, QXE1, QXE1/A, QXE4, QXE4/A, QXE5, QXE7, QXE7/A, QXE8, QXE8/A, QXF, QXF/A, QXF3, QXF4, QXF4/A, QXF6, QXF6/A, QXF8, QXF8/A, QXW2, QXW2/A, QXW4, QXW4/A, QYA, QYA/A, QYD, QYD/A, QYF, QYF/A, QZB, QZB/A, QZB2, QZB2/A, QZB3, QZB3/A, QZD, QZE3, QZE3/A, QZE4, QZE4/A, QZF1, QZF1/A, QZF2, QZF2/A, QZF8, QZF8/A, QZX4, QZX4/A, QZX5, QZX5/A, SAE1, SAF1, SAF1/A, SYA, TXF2, TXF2/A, VAB2, VAB2/A, VAB3, VAB3/A, VAF, VAF/A, VAF6, VAF6/A, VDB2, VDB2/A, VDC2, VDC2/A, VEP4, VEP4/A, VXA1, VXA1/A, VXA4, VXA4/A, VXA5, VXA5/A, VXA6, VXA6/A, VXC, VXC1, VXC1/A, VXC2, VXD4, VXD4/A, VXE1, VXE1/A, VXE2, VXE2/A, VXE4, VXE4/A, VXE8, VXE8/A, VXF, VXF/A, VXF4, VXF4/A, VXP2, VXP2/A, VXZ4, VXZ4/A, VYA1, VYA3, VYA3/A, VYE3, VZA1, VZE7, VZE8
					-	-	(2)	-	-	-----	2184603	QAF5/A, QAF6/A, QAF8/A, QKW, QKW1, QKW2, QKW3, QXE5/A, QZD/A, SAE1/A, SYA/A, VAY, VYE3/A, VZE7/A, VZE8/A, VZE9
					-	-	-	-	(2)	-----	1010195	VXC/A, VXC2/A
		T	13101-ZJ1-841	PISTON (STD.) .....	-	-	2	-	-	-----	-----	QWD, VZE2, VZS7, VZS8
					-	-	2	-	-	-----	2184604	QAF5/A, QAF6/A, QAF8/A, QKW, QKW1, QKW2, QKW3, QXE5/A, QZD/A, SAE1/A, SYA/A, VAY, VYE3/A, VZE7/A, VZE8/A, VZE9
					-	-	-	-	2	-----	1010196	VXC/A, VXC2/A
		T	13102-ZJ1-841	PISTON (0.25) .....	-	-	(2)	-	-	-----	-----	QWD, VZE2, VZS7, VZS8
					-	-	(2)	-	-	-----	2184604	QAF5/A, QAF6/A, QAF8/A, QKW, QKW1, QKW2, QKW3, QXE5/A, QZD/A, SAE1/A, SYA/A, VAY, VYE3/A, VZE7/A, VZE8/A, VZE9
					-	-	-	-	(2)	-----	1010196	VXC/A, VXC2/A

NOTE A:PART NO. CHANGE D:NEWLY PROVIDED E:PART NO.DELETION K:REQUIRED NO. CORRECTION L:APPLICATION SERIAL NO. CORRECTION  
T:APPLICATION CORRECTION Z:REMARKS CHANGE

PARTS CATALOGUE NEWS

BOOKNo. : 13ZJ10E7

Block No.	Ref. No.	Note	Part No.	Description	Reqd. QTY					Serial No.	Parts catalogue code		
					GX 620	GX 620	GX 620 K1	GX 620	GX 620 K1				
					(1)	(2)	(1)	(3)	(2)				
		T	13103-ZJ1-841	PISTON (0.50) .....	-	-	(2)	-	-	-----	-----	QWD, VZE2, VZS7, VZS8	
					-	-	(2)	-	-	2184604	-----	QAF5/A, QAF6/A, QAF8/A, QKW, QKW1, QKW2, QKW3, QXE5/A, QZD/A, SAE1/A, SYA/A, VAY, VYE3/A, VZE7/A, VZE8/A, VZE9	
					-	-	-	-	(2)	1010196	-----	VXC/A, VXC2/A	
		T	13104-ZJ1-841	PISTON (0.75) .....	-	-	(2)	-	-	-----	-----	QWD, VZE2, VZS7, VZS8	
					-	-	(2)	-	-	2184604	-----	QAF5/A, QAF6/A, QAF8/A, QKW, QKW1, QKW2, QKW3, QXE5/A, QZD/A, SAE1/A, SYA/A, VAY, VYE3/A, VZE7/A, VZE8/A, VZE9	
					-	-	-	-	(2)	1010196	-----	VXC/A, VXC2/A	
E-20	5	L	31630-ZJ1-003	COIL ASSY., CHARGE (12V/3A) ..	1	-	1	1	1	-----	-----	QAX1, QAX1/A, QDA1, QDE1, QWA6, QWA6/A, QXA, QXA/A, QXAP, QXAU, QXA1, QXA3, QXA3/A, QXA4, QXA6, QXA6/A, QXC2, QXC2/A, QXC4, QXE1, QXE1/A, QXE3, QXE5, QXE8, QXE8/A, QYA, QYA/A, QYA4, QZD, QZE3, QZE3/A, QZE4, QZE4/A, SAE1, VABP, VDB2, VDB2/A, VEP4, VEP4/A, VXAP, VXAU, VXA1, VXA1/A, VXA3, VXA4, VXA4/A, VXA5, VXA5/A, VXA6, VXA6/A, VXC, VXC1, VXC1/A, VXC2, VXD4, VXD4/A, VXE1, VXE1/A, VXE2, VXE2/A, VXE4, VXE4/A, VXE8, VXE8/A, VXP2, VXP2/A, VYA1, VYA3, VYA3/A, VYE3, VZA1, VZA3, VZD, VZE1, VZE5, VZE7, VZE8	
					-	(1)	-	-	-				
					-	-	1	-	-	-----	2178156	-----	QKW, QKW1, QXE5/A, QZD/A, SAE1/A, VAY, VYE3/A, VZE7/A, VZE8/A, VZE9
					-	-	-	-	1	-----	1010195	-----	VXC/A, VXC2/A
		T	31630-ZJ1-013	.....	-	-	1	-	-	-----	-----	VZE2, VZS7, VZS8	
					-	-	1	-	-	2178157	-----	QKW, QKW1, QXE5/A, QZD/A, SAE1/A, VAY, VYE3/A, VZE7/A, VZE8/A, VZE9	
					-	-	-	-	1	1010196	-----	VXC/A, VXC2/A	

NOTE A:PART NO. CHANGE D:NEWLY PROVIDED E:PART NO. DELETION K:REQUIRED NO. CORRECTION L:APPLICATION SERIAL NO. CORRECTION  
T:APPLICATION CORRECTION Z:REMARKS CHANGE

PARTS CATALOGUE NEWS

BOOKNo. : 13ZJ10E7

Block No.	Ref. No.	Note	Part No.	Description	Reqd. QTY					Serial No.	Parts catalogue code		
					GX 620	GX 620	GX 620 K1	GX 620	GX 620 K1				
					(1)	(2)	(1)	(3)	(2)				
E-21-1	3	L	31200-ZJ1-841	MOTOR ASSY., STARTER .....	-	-	1	-	1	-----	-----	QAB, QAB/A, QAB6, QAB6/A, QAD2, QAD2/A, QAF, QAF/A, QAF1, QAF1/A, QAF2, QAF2/A, QAF5, QAF6, QAF7, QAF7/A, QAF8, QAF9, QAF9/A, QAX1, QAX1/A, QDF, QDF/A, QDF6, QDF6/A, QDP2, QDP2/A, QDW, QDW/A, QWA6, QWA6/A, QWF6, QWF6/A, QXA, QXA/A, QXA3, QXA3/A, QXA6, QXA6/A, QXB1, QXB1/A, QXC2, QXC2/A, QXE1, QXE1/A, QXE4, QXE4/A, QXE5, QXE7, QXE7/A, QXE8, QXE8/A, QXF, QXF/A, QXF3, QXF4, QXF4/A, QXF6, QXF6/A, QXF8, QXF8/A, QXW2, QXW2/A, QXW4, QXW4/A, QYA, QYA/A, QYD, QYD/A, QYF, QYF/A, QZB, QZB/A, QZB2, QZB2/A, QZB3, QZB3/A, QZD, QZE3, QZE3/A, QZE4, QZE4/A, QZF1, QZF1/A, QZF2, QZF2/A, QZF8, QZF8/A, SAE1, SAF1, SAF1/A, SYA, TXF2, TXF2/A, VAB2, VAB2/A, VAB3, VAB3/A, VAF, VAF/A, VAF6, VAF6/A, VDB2, VDB2/A, VDC2, VDC2/A, VEP4, VEP4/A, VXA1, VXA1/A, VXA4, VXA4/A, VXA5, VXA5/A, VXA6, VXA6/A, VXC, VXC1, VXC1/A, VXC2, VXD4, VXD4/A, VXE1, VXE1/A, VXE2, VXE2/A, VXE4, VXE4/A, VXE8, VXE8/A, VXF, VXF/A, VXF4, VXF4/A, VXP2, VXP2/A, VYA1, VYA3, VYA3/A, VYE3, VZA1, VZE7, VZE8	
					-	-	1	-	-	-----	2180002	QAF5/A, QAF6/A, QAF8/A, QKW, QKW1, QKW2, QKW3, QXE5/A, QZD/A, SAE1/A, SYA/A, VAY, VYE3/A, VZE7/A, VZE8/A, VZE9	
					-	-	-	-	1	-----	1010195	VXC/A, VXC2/A	
		T	31200-ZJ1-842	.....	-	-	1	-	-	-----	-----	QWD, VZE2, VZS7, VZS8	
					-	-	1	-	-	-----	2180003	-----	QAF5/A, QAF6/A, QAF8/A, QKW, QKW1, QKW2, QKW3, QXE5/A, QZD/A, SAE1/A, SYA/A, VAY, VYE3/A, VZE7/A, VZE8/A, VZE9
					-	-	-	-	1	-----	1010196	-----	VXC/A, VXC2/A

NOTE A:PART NO. CHANGE D:NEWLY PROVIDED E:PART NO.DELETION K:REQUIRED NO. CORRECTION L:APPLICATION SERIAL NO. CORRECTION  
T:APPLICATION CORRECTION Z:REMARKS CHANGE

PARTS CATALOGUE NEWS

BOOKNo. : 13ZJ10E7

Block No.	Ref. No.	Note	Part No.	Description	Reqd. QTY					Serial No.	Parts catalogue code	
					GX 620	GX 620	GX 620	GX 620	GX 620			
					(1)	(2)	(1)	(3)	(2)			
	5	L	31204-ZJ1-H01	SWITCH ASSY., MAGNET .....	-	-	1	-	1	-----	-----	QAB, QAB/A, QAB6, QAB6/A, QAD2, QAD2/A, QAF, QAF/A, QAF1, QAF1/A, QAF2, QAF2/A, QAF5, QAF6, QAF7, QAF7/A, QAF8, QAF9, QAF9/A, QAX1, QAX1/A, QDF, QDF/A, QDF6, QDF6/A, QDP2, QDP2/A, QDW, QDW/A, QWA6, QWA6/A, QWF6, QWF6/A, QXA, QXA/A, QXA3, QXA3/A, QXA6, QXA6/A, QXB1, QXB1/A, QXC2, QXC2/A, QXE1, QXE1/A, QXE4, QXE4/A, QXE5, QXE7, QXE7/A, QXE8, QXE8/A, QXF, QXF/A, QXF3, QXF4, QXF4/A, QXF6, QXF6/A, QXF8, QXF8/A, QXW2, QXW2/A, QXW4, QXW4/A, QYA, QYA/A, QYD, QYD/A, QYF, QYF/A, QZB, QZB/A, QZB2, QZB2/A, QZB3, QZB3/A, QZD, QZE3, QZE3/A, QZE4, QZE4/A, QZF1, QZF1/A, QZF2, QZF2/A, QZF8, QZF8/A, SAE1, SAF1, SAF1/A, SYA, TXF2, TXF2/A, VAB2, VAB2/A, VAB3, VAB3/A, VAF, VAF/A, VAF6, VAF6/A, VDB2, VDB2/A, VDC2, VDC2/A, VEP4, VEP4/A, VXA1, VXA1/A, VXA4, VXA4/A, VXA5, VXA5/A, VXA6, VXA6/A, VXC, VXC1, VXC1/A, VXC2, VXD4, VXD4/A, VXE1, VXE1/A, VXE2, VXE2/A, VXE4, VXE4/A, VXE8, VXE8/A, VXF, VXF/A, VXF4, VXF4/A, VXP2, VXP2/A, VYA1, VYA3, VYA3/A, VYE3, VZA1, VZE7, VZE8
					-	-	1	-	-	-----	2180002	QAF5/A, QAF6/A, QAF8/A, QKW, QKW1, QKW2, QKW3, QXE5/A, QZD/A, SAE1/A, SYA/A, VAY, VYE3/A, VZE7/A, VZE8/A, VZE9
					-	-	-	-	1	-----	1010195	VXC/A, VXC2/A
		T	31204-ZJ1-H02	.....	-	-	1	-	-	-----	-----	QWD, VZE2, VZS7, VZS8
					-	-	1	-	-	-----	2180003	QAF5/A, QAF6/A, QAF8/A, QKW, QKW1, QKW2, QKW3, QXE5/A, QZD/A, SAE1/A, SYA/A, VAY, VYE3/A, VZE7/A, VZE8/A, VZE9
					-	-	-	-	1	-----	1010196	VXC/A, VXC2/A

NOTE A:PART NO. CHANGE D:NEWLY PROVIDED E:PART NO. DELETION K:REQUIRED NO. CORRECTION L:APPLICATION SERIAL NO. CORRECTION  
T:APPLICATION CORRECTION Z:REMARKS CHANGE

PARTS CATALOGUE NEWS

BOOKNo. : 13ZJ10E7

Block No.	Ref. No.	Note	Part No.	Description	Reqd. QTY					Serial No.	Parts catalogue code	
					GX 620	GX 620	GX 620	GX 620	GX 620			
					(1)	(2)	(1)	(3)	(2)			
	17	L	31234-ZJ1-H01	COVER, TERMINAL .....	-	-	1	-	1	-----	-----	QAB, QAB/A, QAB6, QAB6/A, QAD2, QAD2/A, QAF, QAF/A, QAF1, QAF1/A, QAF2, QAF2/A, QAF5, QAF6, QAF7, QAF7/A, QAF8, QAF9, QAF9/A, QAX1, QAX1/A, QDF, QDF/A, QDF6, QDF6/A, QDP2, QDP2/A, QDW, QDW/A, QWA6, QWA6/A, QWF6, QWF6/A, QXA, QXA/A, QXA3, QXA3/A, QXA6, QXA6/A, QXB1, QXB1/A, QXC2, QXC2/A, QXE1, QXE1/A, QXE4, QXE4/A, QXE5, QXE7, QXE7/A, QXE8, QXE8/A, QXF, QXF/A, QXF3, QXF4, QXF4/A, QXF6, QXF6/A, QXF8, QXF8/A, QXW2, QXW2/A, QXW4, QXW4/A, QYA, QYA/A, QYD, QYD/A, QYF, QYF/A, QZB, QZB/A, QZB2, QZB2/A, QZB3, QZB3/A, QZD, QZE3, QZE3/A, QZE4, QZE4/A, QZF1, QZF1/A, QZF2, QZF2/A, QZF8, QZF8/A, SAE1, SAF1, SAF1/A, SYA, TXF2, TXF2/A, VAB2, VAB2/A, VAB3, VAB3/A, VAF, VAF/A, VAF6, VAF6/A, VDB2, VDB2/A, VDC2, VDC2/A, VEP4, VEP4/A, VXA1, VXA1/A, VXA4, VXA4/A, VXA5, VXA5/A, VXA6, VXA6/A, VXC, VXC1, VXC1/A, VXC2, VXD4, VXD4/A, VXE1, VXE1/A, VXE2, VXE2/A, VXE4, VXE4/A, VXE8, VXE8/A, VXF, VXF/A, VXF4, VXF4/A, VXP2, VXP2/A, VYA1, VYA3, VYA3/A, VYE3, VZA1, VZE7, VZE8
					-	-	1	-	-	-----	2180002	QAF5/A, QAF6/A, QAF8/A, QKW, QKW1, QKW2, QKW3, QXE5/A, QZD/A, SAE1/A, SYA/A, VAY, VYE3/A, VZE7/A, VZE8/A, VZE9
					-	-	-	-	1	-----	1010195	VXC/A, VXC2/A
		T	31234-ZJ1-H02	.....	-	-	1	-	-	-----	-----	QWD, VZE2, VZS7, VZS8
					-	-	1	-	-	-----	2180003	QAF5/A, QAF6/A, QAF8/A, QKW, QKW1, QKW2, QKW3, QXE5/A, QZD/A, SAE1/A, SYA/A, VAY, VYE3/A, VZE7/A, VZE8/A, VZE9
					-	-	-	-	1	-----	1010196	VXC/A, VXC2/A

NOTE A:PART NO. CHANGE D:NEWLY PROVIDED E:PART NO. DELETION K:REQUIRED NO. CORRECTION L:APPLICATION SERIAL NO. CORRECTION  
T:APPLICATION CORRECTION Z:REMARKS CHANGE



# PARTS CATALOGUE NEWS

Honda Motor Co., Ltd. Service Division

## PARTS CATALOGUE - CORRECTED

Printed in Japan

CODE NO.	BOOKLET TYPE	13ZJ10E7
	MICRO- FICHE	13ZJ10EG/FG
PARTS CATALOGUE NEWS	GX620 GX620K1 GX620 [PROPANE ENGINE] GX620K1 [PROPANE ENGINE]	
NEWS NO.	039	

Block No.	Ref. No.	Note	Part No.	Description	Reqd. QTY					Serial No.	Parts catalogue code
					GX 620 (1)	GX 620 (2)	GX 620 K1 (1)	GX 620 (3)	GX 620 K1 (2)		
E-3-1	10	L	37240-ZG5-004	SWITCH, OIL PRESSURE .....	-	-	1	-	-	----- 2170767	QKW
					-	-	1	-	-	2161297 -----	QAD2/A, QAF/A, QAF1/A, QAF2/A, QAF9/A, QDP2/A, QYD/A, QYF/A, SAF1/A, VAB2/A, VAB3/A, VAF/A, VAF6/A
					-	-	1	-	-	2161297 2170767	QAF5/A, QAF6/A, QAF7/A, QAF8/A, SAE1/A, SYA/A
					-	-	-	-	1	1010129 1010253	VXC/A
		T	35490-Z6D-003	SWITCH ASSY., OIL PRESSURE ...	-	-	1	-	-	----- -----	QKW1, QKW2, VAY
					-	-	1	-	-	2170768 -----	QAF5/A, QAF6/A, QAF7/A, QAF8/A, QKW, SAE1/A, SYA/A
					-	-	-	-	1	1010254 -----	VXC/A
	11	L	90002-ZG5-004	SCREW-WASHER, 4X8 .....	-	-	1	-	1	----- -----	QAD2, QAD2/A, QAF, QAF/A, QAF1, QAF1/A, QAF2, QAF2/A, QAF5, QAF6, QAF7, QAF8, QAF9, QAF9/A, QDP2, QDP2/A, QWD, QYD, QYD/A, QYF, QYF/A, SAE1, SAF1, SAF1/A, SYA, VAB2, VAB2/A, VAF, VAF/A, VAF6, VAF6/A, VXC, VYE3, VYE3/A
					-	-	1	-	-	----- 2170767	QAF5/A, QAF6/A, QAF7/A, QAF8/A, QKW, SAE1/A, SYA/A
					-	-	-	-	1	----- 1010253	VXC/A
		T	90002-ZW2-F01	.....	-	-	1	-	-	2170768 -----	QAF5/A, QAF6/A, QAF7/A, QAF8/A, QKW, SAE1/A, SYA/A

NOTE A:PART NO. CHANGE D:NEWLY PROVIDED E:PART NO. DELETION K:REQUIRED NO. CORRECTION L:APPLICATION SERIAL NO. CORRECTION  
 T:APPLICATION CORRECTION Z:REMARKS CHANGE



PARTS CATALOGUE NEWS

BOOKNo. : 13ZJ10E7

Block No.	Ref. No.	Note	Part No.	Description	Reqd. QTY					Serial No.	Parts catalogue code
					GX 620 (1)	GX 620 (2)	GX 620 K1 (1)	GX 620 (3)	GX 620 K1 (2)		
					-	-	-	-	1	1010254 -----	VXC/A

NOTE A:PART NO. CHANGE D:NEWLY PROVIDED E:PART NO.DELETION K:REQUIRED NO. CORRECTION L:APPLICATION SERIAL NO. CORRECTION  
 T:APPLICATION CORRECTION Z:REMARKS CHANGE



# PARTS CATALOGUE NEWS

Honda Motor Co., Ltd. Service Division

## PARTS CATALOGUE - CORRECTED

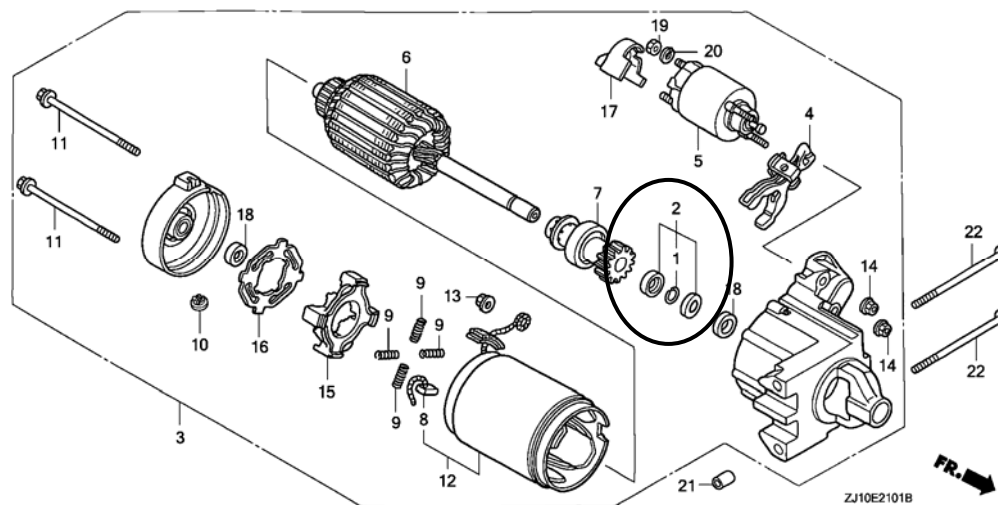
Printed in Japan

CODE NO.	BOOKLET TYPE	13ZJ10E7
	MICRO-FICHE	13ZJ10EG/FG
PARTS CATALOGUE NEWS	GX620 GX620K1 GX620 [PROPANE ENGINE] GX620K1 [PROPANE ENGINE]	
NEWS NO.	040	

Block No.	Ref. No.	Note	Part No.	Description	Reqd. QTY					Serial No.	Parts catalogue code
					GX 620	GX 620	GX 620 K1	GX 620	GX 620 K1		
					(1)	(2)	(1)	(3)	(2)		

E-21-1 STARTER MOTOR (GX620K1)

**ILLUSTRATION CORRECTED**



NOTE A:PART NO. CHANGE D:NEWLY PROVIDED E:PART NO. DELETION K:REQUIRED NO. CORRECTION L:APPLICATION SERIAL NO. CORRECTION  
 T:APPLICATION CORRECTION Z:REMARKS CHANGE



# PARTS CATALOGUE NEWS

Honda Motor Co., Ltd. Service Division

## PARTS CATALOGUE - CORRECTED

Printed in Japan

CODE NO.	BOOKLET TYPE	13ZJ10E7
	MICRO-FICHE	13ZJ10EG/FG
PARTS CATALOGUE NEWS	GX620 GX620K1 GX620 [PROPANE ENGINE] GX620K1 [PROPANE ENGINE]	
NEWS NO.	041	

Block No.	Ref. No.	Note	Part No.	Description	Reqd. QTY					Serial No.	Parts catalogue code	
					GX 620 (1)	GX 620 (2)	GX 620 K1 (1)	GX 620 (3)	GX 620 K1 (2)			
E-3-1	1		12000-ZJ1-407	BARREL ASSY., CYLINDER .....	-	-	1	-	1	-----	QXB1, QXB1/A, QXE7/A, QXE8/A, QXF8, QXF8/A, QXW2, QXW2/A, QXW4, QXW4/A, VXC1, VXC1/A, VXC2	
					-	-	1	-	-	2031852	-----	QXE7, QXE8
					-	-	-	-	1	-----	1010195	VXC2/A
		A	12000-ZJ1-417	.....	-	-	-	-	1	1010196	-----	VXC2/A
		L	12000-ZJ1-408	.....	-	-	1	-	-	-----	-----	QAD2, QAD2/A, QYD, QYD/A, SYA
					-	-	1	-	-	-----	2184603	SYA/A
					-	-	-	-	1	-----	1010253	VXC/A
					-	-	-	-	1	1001112	-----	VXC
		T	12000-ZJ1-418	.....	-	-	1	-	-	2184604	-----	SYA/A
					-	-	-	-	1	1010254	-----	VXC/A

NOTE A:PART NO. CHANGE D:NEWLY PROVIDED E:PART NO. DELETION K:REQUIRED NO. CORRECTION L:APPLICATION SERIAL NO. CORRECTION  
 T:APPLICATION CORRECTION Z:REMARKS CHANGE

PARTS CATALOGUE NEWS

BOOKNo. : 13ZJ10E7

Block No.	Ref. No.	Note	Part No.	Description	Reqd. QTY					Serial No.	Parts catalogue code	
					GX 620	GX 620	GX 620 K1	GX 620	GX 620 K1			
					(1)	(2)	(1)	(3)	(2)			
E-9-1	10	L	14730-ZJ1-841	LIFTER ASSY., VALVE .....	-	-	1	-	1	-----	-----	QAB, QAB/A, QAB6, QAB6/A, QAD2, QAD2/A, QAF, QAF/A, QAF1, QAF1/A, QAF2, QAF2/A, QAF5, QAF6, QAF7, QAF7/A, QAF8, QAF8/A, QAF9, QAF9/A, QAX1, QAX1/A, QDF, QDF/A, QDF6, QDF6/A, QDP2, QDP2/A, QDW, QDW/A, QWA6, QWA6/A, QWF6, QWF6/A, QXA, QXA/A, QXA3, QXA3/A, QXA6, QXA6/A, QXB1, QXB1/A, QXC2, QXC2/A, QXE1, QXE1/A, QXE4, QXE4/A, QXE5, QXE5/A, QXE7, QXE7/A, QXE8, QXE8/A, QXF, QXF/A, QXF3, QXF4, QXF4/A, QXF6, QXF6/A, QXF8, QXF8/A, QXW2, QXW2/A, QXW4, QXW4/A, QYA, QYA/A, QYD, QYD/A, QYF, QYF/A, QZB, QZB/A, QZB2, QZB2/A, QZB3, QZB3/A, QZD, QZE3, QZE3/A, QZE4, QZE4/A, QZF1, QZF1/A, QZF2, QZF2/A, QZF8, QZF8/A, QZX1, QZX1/A, QZX4, QZX4/A, QZX5, QZX5/A, SAE1, SAF1, SAF1/A, SYA, TXF2, TXF2/A, VAB2, VAB2/A, VAB3, VAB3/A, VAF, VAF/A, VAF6, VAF6/A, VDB2, VDB2/A, VDC2, VDC2/A, VEP4, VEP4/A, VXA1, VXA1/A, VXA4, VXA4/A, VXA5, VXA5/A, VXA6, VXA6/A, VXC, VXC1, VXC1/A, VXC2, VXD4, VXD4/A, VXE1, VXE1/A, VXE2, VXE2/A, VXE4, VXE4/A, VXE8, VXE8/A, VXF, VXF/A, VXF4, VXF4/A, VXP2, VXP2/A, VXZ4, VXZ4/A, VYA1, VYA3, VYA3/A, VYE3, VZA1, VZE7, VZE8
					-	-	1	-	-	-----	2184115	QAF5/A, QAF6/A, QKW, QKW1, QKW2, QKW3, QZD/A, SAE1/A, SYA/A, VAY, VYE3/A, VZE7/A, VZE8/A, VZE9
					-	-	-	-	1	-----	1010195	VXC/A, VXC2/A
		T	14730-ZJ1-842	.....	-	-	1	-	-	-----	-----	QWD, VZE2, VZS7, VZS8
					-	-	1	-	-	2184116	-----	QAF5/A, QAF6/A, QKW, QKW1, QKW2, QKW3, QZD/A, SAE1/A, SYA/A, VAY, VYE3/A, VZE7/A, VZE8/A, VZE9
					-	-	-	-	1	1010196	-----	VXC/A, VXC2/A
E-14-3	11		19506-KA4-000	CLAMP, WATER HOSE .....	-	-	-	-	2	-----	-----	VXC, VXC1, VXC2
					-	-	-	-	2	-----	1010253	VXC/A, VXC1/A, VXC2/A
		A	19505-KS6-700	CLAMP A, WATER HOSE .....	-	-	-	-	2	1010254	-----	VXC/A, VXC1/A, VXC2/A

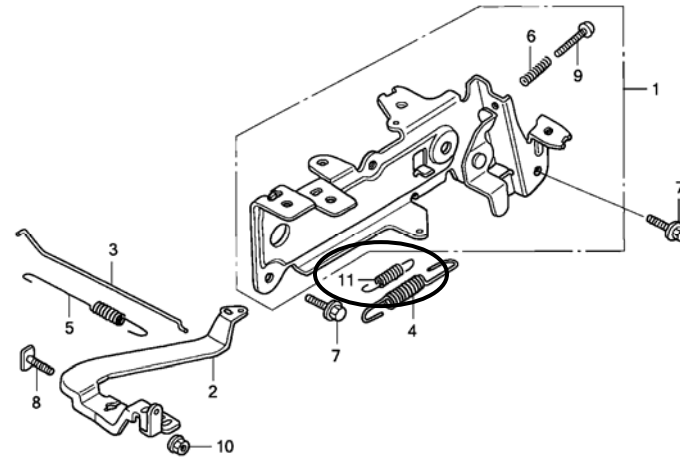
NOTE A:PART NO. CHANGE D:NEWLY PROVIDED E:PART NO. DELETION K:REQUIRED NO. CORRECTION L:APPLICATION SERIAL NO. CORRECTION  
T:APPLICATION CORRECTION Z:REMARKS CHANGE

PARTS CATALOGUE NEWS

BOOKNo. : 13ZJ10E7

Block No.	Ref. No.	Note	Part No.	Description	Reqd. QTY					Serial No.	Parts catalogue code
					GX 620	GX 620	GX 620 K1	GX 620	GX 620 K1		
E-22-5			(6)	CONTROL	(1)	(2)	(1)	(3)	(2)		

FR.



ZJ10E2205A

E-22-5	4		16561-ZN1-822	SPRING, GOVERNOR .....	-	-	-	-	1	-----	1010253	VXC/A, VXC2/A
									1	-----	1000992	VXC, VXC2
		A	16561-ZN1-830	.....	-	-	-	-	1	-----	1010254	VXC/A, VXC2/A
	11	D	16534-ZN1-010	SPRING, STARTER .....	-	-	-	-	1	-----	1010254	VXC/A, VXC2/A

NOTE A:PART NO. CHANGE D:NEWLY PROVIDED E:PART NO.DELETION K:REQUIRED NO. CORRECTION L:APPLICATION SERIAL NO. CORRECTION  
T:APPLICATION CORRECTION Z:REMARKS CHANGE



# PARTS CATALOGUE NEWS

Honda Motor Co., Ltd. Service Division

## PARTS CATALOGUE - CORRECTED

Printed in Japan

CODE NO.	BOOKLET TYPE	13ZJ10E7
	MICRO- FICHE	13ZJ10EG/FG
PARTS CATALOGUE NEWS	GX620 GX620K1 GX620 [PROPANE ENGINE] GX620K1 [PROPANE ENGINE]	
NEWS NO.	042	

Block No.	Ref. No.	Note	Part No.	Description	Reqd. QTY					Serial No.	Parts catalogue code
					GX 620 (1)	GX 620 (2)	GX 620 K1 (1)	GX 620 (3)	GX 620 K1 (2)		
E-28-1	7		87532-ZH8-810	MARK, OIL ALERT (ENGLISH) ....	-	-	1	-	1	-----	QWA6, QWA6/A, QWF6, QWF6/A, QXA, QXA/A, QXA3, QXA3/A, QXA6, QXA6/A, QXB1, QXC2, QXC2/A, QXE1, QXE1/A, QXE5, QXE5/A, QXF6, QXF6/A, QXF8, QXF8/A, QXW2, QXW2/A, QYA, QYA/A, QZB, QZB/A, QZB2, QZB2/A, QZB3, QZB3/A, QZF1, QZF1/A, QZF2, QZF2/A, QZF8, QZF8/A, VDB2, VDB2/A, VXA1, VXA1/A, VXC1, VXC1/A, VXC2, VXC2/A, VXD4, VXD4/A, VXE1, VXE1/A, VYA1, VYA3, VYA3/A, VYE3, VZA1
					-	-	1	-	-	-----	2190179 VYE3/A
	A		87530-ZL8-850	.....	-	-	1	-	-	2190180	VYE3/A

NOTE A:PART NO. CHANGE D:NEWLY PROVIDED E:PART NO. DELETION K:REQUIRED NO. CORRECTION L:APPLICATION SERIAL NO. CORRECTION  
T:APPLICATION CORRECTION Z:REMARKS CHANGE



# PARTS CATALOGUE NEWS

Honda Motor Co., Ltd. Service Division

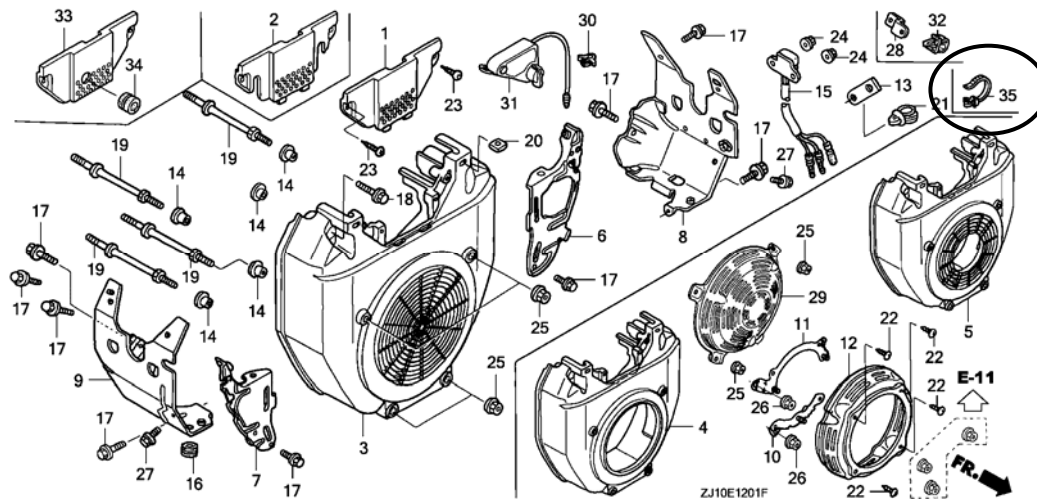
## PARTS CATALOGUE - CORRECTED

Printed in Japan

CODE NO.	BOOKLET TYPE	13ZJ10E7
	MICRO-FICHE	13ZJ10EG/FG
PARTS CATALOGUE NEWS	GX620 GX620K1 GX620 [PROPANE ENGINE] GX620K1 [PROPANE ENGINE]	
NEWS NO.	043	

Block No.	Ref. No.	Note	Part No.	Description	Reqd. QTY					Serial No.	Parts catalogue code
					GX 620 (1)	GX 620 (2)	GX 620 K1 (1)	GX 620 (3)	GX 620 K1 (2)		

E-12-1 FAN COVER (GX620K1)



NOTE A:PART NO. CHANGE D:NEWLY PROVIDED E:PART NO.DELETION K:REQUIRED NO. CORRECTION L:APPLICATION SERIAL NO. CORRECTION  
T:APPLICATION CORRECTION Z:REMARKS CHANGE

PARTS CATALOGUE NEWS

BOOKNo. : 13ZJ10E7

Block No.	Ref. No.	Note	Part No.	Description	Reqd. QTY					Serial No.	Parts catalogue code		
					GX 620	GX 620	GX 620 K1	GX 620	GX 620 K1				
					(1)	(2)	(1)	(3)	(2)				
E-12-1	21	L	91558-SD5-003	CLIP, WIRE HARNESS (BLACK) ...	-	-	1	-	1	-----	-----	QXB1, QXB1/A, QXE7, QXE7/A, QXF3, QXF4, QXF4/A, QXW2, QXW2/A, QXW4, QXW4/A, QZX4, QZX4/A, QZX5, QZX5/A, VDB2, VDB2/A, VXA4, VXA4/A, VXA6, VXA6/A, VXC1, VXC1/A, VXC2, VXC2/A, VXD4, VXD4/A, VXE4, VXE4/A, VXE8, VXE8/A, VXF4, VXF4/A, VXP2, VXP2/A, VXZ4, VXZ4/A, VYA1, VYA3, VYA3/A, VYE3, VYE3/A, VZA1, VZE2, VZE7, VZE7/A, VZE8, VZE8/A, VZE9	
					-	-	1	-	-	-----	2192094	VZS7, VZS8	
	35	D	90672-SA0-003	STRAP, CABLE, 118MM (BLACK) ...	-	-	1	-	-	2192095	-----	VZS7, VZS8	
E-17-2	4	L	16956-ZA0-010	STAY COMP., FUEL COCK .....	1	-	1	-	-	-----	-----	VYA3, VYA3/A, VYE3, VYE3/A, VZA3, VZE2, VZE7, VZE7/A, VZE8, VZE8/A, VZE9	
					-	-	1	-	-	-----	2192094	VZS7, VZS8	
		11		95001-45140-50	HOSE, FUEL, 4.5X140 (95001-45001-50M)	1	-	1	-	-	-----	-----	VZE2, VZE7, VZE7/A, VZE8, VZE8/A, VZE9
						-	-	1	-	-	-----	2192094	VZS7, VZS8
			A	95001-45150-50	HOSE, FUEL, 4.5X150 (95001-45001-50M)	-	-	1	-	-	2192095	-----	VZS7, VZS8
		12		16851-ZJ1-S80	TUBE, FUEL .....	-	-	1	-	-	-----	-----	VZE2, VZE7/A, VZE8/A, VZE9
						-	-	1	-	-	-----	2192094	VZS7, VZS8
						-	-	1	-	-	2034681	-----	VZE7, VZE8
			A	95001-55250-50	HOSE, FUEL, 5.5X250 (95001-55001-50M)	-	-	1	-	-	2192095	-----	VZS7, VZS8
		13		95002-40850-08	CLAMP, TUBE (D8.5) .....	4	-	4	-	-	-----	-----	VZE2, VZE7, VZE7/A, VZE8, VZE8/A, VZE9
						-	-	4	-	-	-----	2192094	VZS7, VZS8
			K	95002-40850-08	.....	-	-	3	-	-	2192095	-----	VZS7, VZS8
		21	L	95001-45100-50	HOSE, FUEL, 4.5X100 (95001-45001-50M)	-	-	1	-	-	-----	-----	VZE2, VZE7, VZE7/A, VZE8, VZE8/A, VZE9
					-	-	1	-	-	-----	2192094	VZS7, VZS8	

NOTE A:PART NO.CHANGE D:NEWLY PROVIDED E:PART NO.DELETION K:REQUIRED NO. CORRECTION L:APPLICATION SERIAL NO. CORRECTION  
T:APPLICATION CORRECTION Z:REMARKS CHANGE

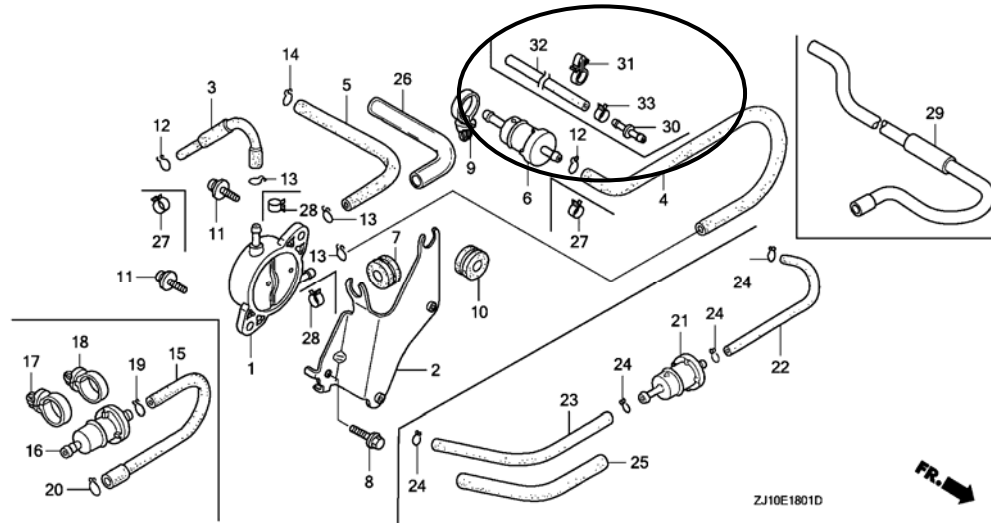


PARTS CATALOGUE NEWS

BOOKNo. : 13ZJ10E7

Block No.	Ref. No.	Note	Part No.	Description	Reqd. QTY					Serial No.	Parts catalogue code
					GX 620	GX 620	GX 620 K1	GX 620	GX 620 K1		

E-18-1 FUEL PUMP (GX620K1)



E-18-1	6	L	16910-ZE8-015	STRAINER COMP., FUEL .....	-	-	1	-	-	-	-	QAB, QAB/A, QAB6, QAB6/A, QAF, QAF/A, QAF1, QAF1/A, QAF5, QAF5/A, QAF6, QAF6/A, QAF7, QAF7/A, QAF8, QAF8/A, QAF9, QAF9/A, QAX1, QAX1/A, QDF, QDF/A, QDF6, QDF6/A, QDW, QDW/A, QKW, QKW1, QKW2, QKW3, QWA6, QWA6/A, QWD, QWF6, QWF6/A, QXA, QXA/A, QXA3, QXA3/A, QXA6, QXA6/A, QXB1, QXB1/A, QXC2, QXC2/A, QXE1, QXE1/A, QXE5, QXE5/A, QXF, QXF/A, QXF3, QXF4, QXF4/A, QXF6, QXF6/A, QYA, QYA/A, QYF, QYF/A, QZB, QZB/A, QZB2, QZB2/A, QZB3, QZB3/A, QZD, QZD/A, QZE3, QZE3/A, QZE4, QZE4/A, QZF1, QZF1/A, QZF2, QZF2/A, QZF8, QZF8/A, QZX1, QZX1/A, QZX4, QZX4/A, QZX5, QZX5/A, SAE1, SAE1/A, SAF1, SAF1/A, VAB2, VAB2/A, VAB3, VAB3/A, VAF, VAF/A, VAF6, VAF6/A, VAY, VDB2, VDB2/A, VDC2, VDC2/A, VEP4, VEP4/A, VXA1, VXA1/A, VXA4, VXA4/A, VXA5, VXA5/A, VXA6, VXA6/A, VXD4, VXD4/A, VXE1, VXE1/A, VXE2, VXE2/A, VXE4, VXE4/A, VXE8, VXE8/A, VXF, VXF/A, VXF4, VXF4/A, VXP2, VXP2/A, VXZ4, VXZ4/A, VYA1, VYA3, VYA3/A, VYE3, VYE3/A, VZA1, VZE2, VZE7, VZE7/A, VZE8, VZE8/A, VZE9
					-	-	1	-	-	2192094	VZS7, VZS8	

NOTE A:PART NO. CHANGE D:NEWLY PROVIDED E:PART NO.DELETION K:REQUIRED NO. CORRECTION L:APPLICATION SERIAL NO. CORRECTION  
T:APPLICATION CORRECTION Z:REMARKS CHANGE

PARTS CATALOGUE NEWS

BOOKNo. : 13ZJ10E7

Block No.	Ref. No.	Note	Part No.	Description	Reqd. QTY					Serial No.	Parts catalogue code	
					GX 620	GX 620	GX 620 K1	GX 620	GX 620 K1			
					(1)	(2)	(1)	(3)	(2)			
	9	L	90617-SA0-003	CLIP, WIRE HARNESS .....	-	-	1	-	-	-----	-----	QAB, QAB/A, QAB6, QAB6/A, QAF, QAF/A, QAF1, QAF1/A, QAF5, QAF5/A, QAF6, QAF6/A, QAF7, QAF7/A, QAF8, QAF8/A, QAF9, QAF9/A, QAX1, QAX1/A, QDF, QDF/A, QDF6, QDF6/A, QDW, QDW/A, QKW, QKW1, QKW2, QKW3, QWA6, QWA6/A, QWD, QWF6, QWF6/A, QXA, QXA/A, QXA3, QXA3/A, QXA6, QXA6/A, QXB1, QXB1/A, QXC2, QXC2/A, QXE1, QXE1/A, QXE5, QXE5/A, QXF, QXF/A, QXF3, QXF4, QXF4/A, QXF6, QXF6/A, QYA, QYA/A, QYF, QYF/A, QZB, QZB/A, QZB2, QZB2/A, QZB3, QZB3/A, QZD, QZD/A, QZE3, QZE3/A, QZE4, QZE4/A, QZF1, QZF1/A, QZF2, QZF2/A, QZF8, QZF8/A, QZX1, QZX1/A, QZX4, QZX4/A, QZX5, QZX5/A, SAE1, SAE1/A, SAF1, SAF1/A, VAB2, VAB2/A, VAB3, VAB3/A, VAF, VAF/A, VAF6, VAF6/A, VAY, VDB2, VDB2/A, VDC2, VDC2/A, VEP4, VEP4/A, VXA1, VXA1/A, VXA4, VXA4/A, VXA5, VXA5/A, VXA6, VXA6/A, VXD4, VXD4/A, VXE1, VXE1/A, VXE2, VXE2/A, VXE4, VXE4/A, VXE8, VXE8/A, VXF, VXF/A, VXF4, VXF4/A, VXP2, VXP2/A, VXZ4, VXZ4/A, VYA1, VYA3, VYA3/A, VYE3, VYE3/A, VZA1, VZE2, VZE7, VZE7/A, VZE8, VZE8/A, VZE9
					-	-	1	-	-	-----	2192094	VZS7, VZS8
	30	D	16958-GJ6-000	JOINT, FUEL TUBE .....	-	-	1	-	-	2192095	-----	VZS7, VZS8
	31	D	30701-887-790	CLIP, HIGH TENSION CORD .....	-	-	1	-	-	2192095	-----	VZS7, VZS8
	32	D	95001-45330-50	TUBE, FUEL, 4.5X330 (95001-45001-50M)	-	-	1	-	-	2192095	-----	VZS7, VZS8
	33	D	95002-40850-08	CLAMP, TUBE (D8.5) .....	-	-	1	-	-	2192095	-----	VZS7, VZS8

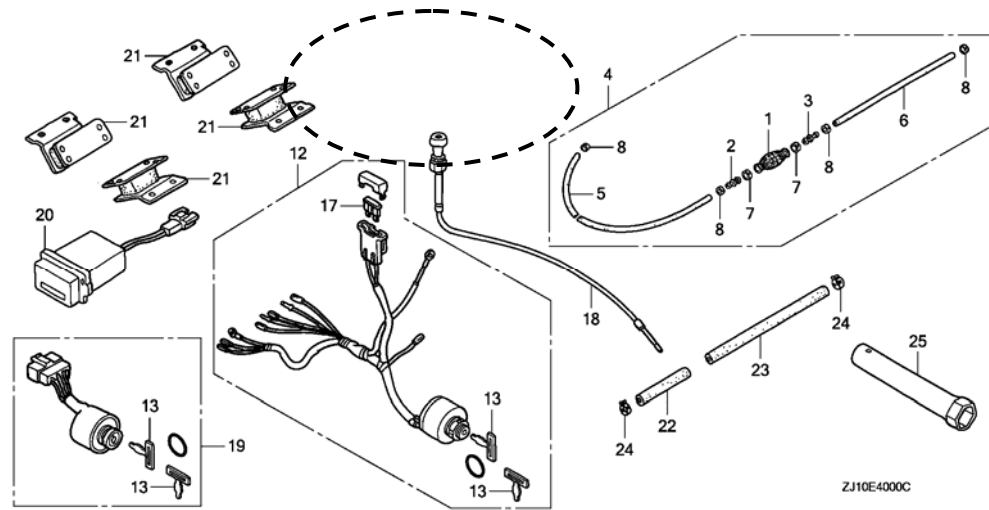
NOTE A:PART NO. CHANGE D:NEWLY PROVIDED E:PART NO.DELETION K:REQUIRED NO. CORRECTION L:APPLICATION SERIAL NO. CORRECTION  
T:APPLICATION CORRECTION Z:REMARKS CHANGE

PARTS CATALOGUE NEWS

BOOKNo. : 13ZJ10E7

Block No.	Ref. No.	Note	Part No.	Description	Reqd. QTY					Serial No.	Parts catalogue code
					GX 620 (1)	GX 620 (2)	GX 620 K1 (1)	GX 620 (3)	GX 620 K1 (2)		

E-40 COMBINATION SWITCH (1)



E-40	13	T	35111-880-013	KEY COMP. ....	2	-	2	-	-	-	-	VZA3, VZE1, VZE2, VZE7, VZE7/A, VZE8, VZE8/A, VZE9
					2	-	-	-	-	-	-	VXZ4
	18	T	17950-765-A10	CABLE COMP., CHOKE .....	1	-	1	-	-	-	-	VZE1, VZE2, VZE7, VZE7/A, VZE8, VZE8/A, VZE9
	19	T	35100-ZA0-023	SWITCH ASSY., COMBINATION ....	-	-	1	-	-	-	-	VZE2
					-	-	1	-	-	2181171	-	VZE7/A, VZE8/A, VZE9
	20	T	39700-ZC6-003	METER ASSY., HOUR .....	1	-	1	-	-	-	-	VZE1, VZE2, VZE7, VZE7/A, VZE8, VZE8/A, VZE9
	24	T	95002-40850-08	CLAMP, TUBE (D8.5) .....	2	-	4	-	-	-	-	VZD, VZE2, VZE9
	25	T	89216-ZB4-000	WRENCH, PLUG .....	1	-	1	-	-	-	-	VZE1, VZE2, VZE9
	26	E	68325-Z26-000	*PARTS NO. DELETION								
E-40-4	4	T	16910-ZE8-015	STRAINER COMP., FUEL .....	-	-	1	-	-	-	-	QYD, QYD/A

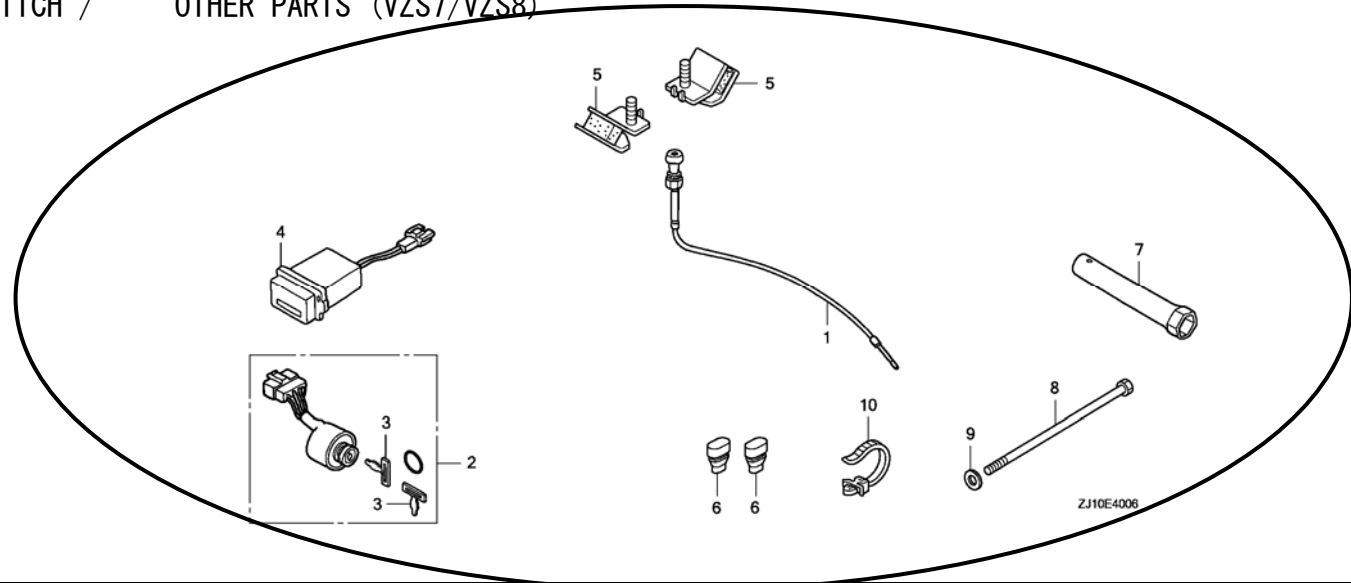
NOTE A:PART NO. CHANGE D:NEWLY PROVIDED E:PART NO.DELETION K:REQUIRED NO. CORRECTION L:APPLICATION SERIAL NO. CORRECTION  
T:APPLICATION CORRECTION Z:REMARKS CHANGE

PARTS CATALOGUE NEWS

BOOKNo. : 13ZJ10E7

Block No.	Ref. No.	Note	Part No.	Description	Reqd. QTY						Serial No.	Parts catalogue code
					GX 620 (1)	GX 620 (2)	GX 620 K1 (1)	GX 620 (3)	GX 620 K1 (2)			

E-40-6 COMBINATION SWITCH / OTHER PARTS (VZS7/VZS8)



E-40-6	1	D	17950-765-A10	CABLE COMP., CHOKE .....	-	-	1	-	-	2192094	VZS7, VZS8
	2	D	35100-ZA0-023	SWITCH ASSY., COMBINATION ....	-	-	1	-	-	-----	VZS7, VZS8
	3	D	35111-880-013	KEY COMP. ....	-	-	2	-	-	-----	VZS7, VZS8
	4	D	39700-ZC6-003	METER ASSY., HOUR .....	-	-	1	-	-	-----	VZS7, VZS8
	5	D	68325-Z26-000	RUBBER, BOTTOM .....	-	-	4	-	-	-----	VZS7, VZS8
	6	D	76122-952-000	STOPPER, DISCHARGE GUARD .....	-	-	2	-	-	2192095	VZS7, VZS8
	7	D	89216-ZB4-000	WRENCH, PLUG .....	-	-	1	-	-	-----	VZS7, VZS8
	8	D	90101-Z26-000	BOLT, HEX., 10X278 .....	-	-	1	-	-	2192095	VZS7, VZS8
	9	D	90504-ZA0-000	WASHER, 10.5MM .....	-	-	1	-	-	2192095	VZS7, VZS8
	10	D	90676-Z26-003	BAND, WIRE HARNESS .....	-	-	2	-	-	2192095	VZS7, VZS8

NOTE A:PART NO. CHANGE D:NEWLY PROVIDED E:PART NO.DELETION K:REQUIRED NO. CORRECTION L:APPLICATION SERIAL NO. CORRECTION  
T:APPLICATION CORRECTION Z:REMARKS CHANGE



# PARTS CATALOGUE NEWS

Honda Motor Co., Ltd. Service Division

## PARTS CATALOGUE - CORRECTED

Printed in Japan

CODE NO.	BOOKLET TYPE	13ZJ10E7
	MICRO- FICHE	13ZJ10EG/FG
PARTS CATALOGUE NEWS	GX620 GX620K1 GX620 [PROPANE ENGINE] GX620K1 [PROPANE ENGINE]	
NEWS NO.	044	

Block No.	Ref. No.	Note	Part No.	Description	Reqd. QTY					Serial No.	Parts catalogue code
					GX 620 (1)	GX 620 (2)	GX 620 K1 (1)	GX 620 (3)	GX 620 K1 (2)		
E-18-1	3		16850-Z6C-841	TUBE COMP. A, FUEL (FKM) .....	-	-	1	-	-	----- 2191275	QKW2, QKW3, QWD
	A		16850-Z6C-842	.....	-	-	1	-	-	2191276 -----	QKW2, QKW3, QWD
	4		16852-Z6C-841	TUBE B, FUEL (FKM) .....	-	-	1	-	-	----- 2191275	QKW2, QKW3
	A		16852-Z6C-842	.....	-	-	1	-	-	2191276 -----	QKW2, QKW3

NOTE A:PART NO. CHANGE D:NEWLY PROVIDED E:PART NO. DELETION K:REQUIRED NO. CORRECTION L:APPLICATION SERIAL NO. CORRECTION  
T:APPLICATION CORRECTION Z:REMARKS CHANGE



## PARTS CATALOGUE NEWS

Honda Motor Co., Ltd. Service Division

Printed in Japan

CODE NO.	BOOKLET TYPE	13ZJ10E7
	MICRO- FICHE	13ZJ10EG/FG
PARTS CATALOGUE NEWS	GX620 GX620K1 GX620 [PROPANE ENGINE] GX620K1 [PROPANE ENGINE]	
NEWS NO.	045	

### GX620K1-SAF1/B TYPE sales parts information

NOTE: This Parts Catalogue News explains only the parts of the different model that are produced to conform to addition of the GX620K1-SAF1/B type.

As for the parts not listed on this Parts Catalogue News, use the parts of the GX620K1-SAF1/A type.

- Models, parts catalogue codes and applicable serial numbers

Model	Type		Parts catalogue type	Applicable engine serial No.	Applicable carburetor identification No.
GX620K1	SAF1	Base type	SAF1/A	GCAD-2160001~9999999	BG22G A / B / C
		Additional type	SAF1/B	GCAD-2160001~	BG22G C

• Features of each type		Base type	Additional type
Specifications		GX620K1	
Model		GX620K1	
Type		SAF1/A	SAF1/B
Crankshaft	25mm Ø Straight (L=130.5)	●	●
	25mm Ø Straight (L=133.5)		
	25.4mm Ø Straight (L=139.5)		
	25.4mm Ø Straight (L=142.5)		
	28.575mm Ø Straight (L=163.5)		
	28.575mm Ø Straight (L=166.5)		
	M10 Tapered (L=105.5)		
	M10 Tapered (L=160)		
	M10 Tapered (L=163)		
	5/16" Tapered (L=160)		
	5/16" Tapered (L=163)		
	7/16" Tapered (L=160)		
Oil alert			
Fuel tank		●	●
Control box			
Recoil starter			
Starter motor		●	●
Auto throttle			
Battery			
Oil cooler			
Winter kit			

## PARTS CATALOGUE NEWS

BOOKNo. : 13ZJ10E7

Block No.	Ref. No.	Part No.	Description	Reqd. QTY					Base Part No.	Parts catalogue code	
				GX 620 (1)	GX 620 (2)	GX 620 K1 (1)	GX 620 (3)	GX 620 K1 (2)			
E-3-1	1	12000-ZJ1-415	BARREL ASSY., CYLINDER .....	-	-	1	-	-	12000-ZJ1-405		
	10	35490-Z6D-003	SWITCH ASSY., OIL PRESSURE ...	-	-	1	-	-	37240-ZG5-004		
	11	90002-ZW2-F01	SCREW-WASHER, 4X8 .....	-	-	1	-	-	90002-ZG5-004		
E-8-1	1	13010-Z5H-004	RING SET, PISTON (STD.) (TEIKOKU)	-	-	2	-	-	13010-ZJ1-841		
		13011-Z5H-004	RING SET, PISTON (0.25) (TEIKOKU)	-	-	(2)	-	-	13011-ZJ1-841		
		13012-Z5H-004	RING SET, PISTON (0.50) (TEIKOKU)	-	-	(2)	-	-	13012-ZJ1-841		
		13013-Z5H-004	RING SET, PISTON (0.75) (TEIKOKU)	-	-	(2)	-	-	13013-ZJ1-841		
	2	13101-ZJ1-841	PISTON (STD.) .....	-	-	2	-	-	13101-ZJ1-840		
		13102-ZJ1-841	PISTON (0.25) .....	-	-	(2)	-	-	13102-ZJ1-840		
		13103-ZJ1-841	PISTON (0.50) .....	-	-	(2)	-	-	13103-ZJ1-840		
		13104-ZJ1-841	PISTON (0.75) .....	-	-	(2)	-	-	13104-ZJ1-840		
	E-9-1	10	14730-ZJ1-842	LIFTER ASSY., VALVE .....	-	-	1	-	-	14730-ZJ1-841	
	E-14-2	10	16100-ZJ1-843	CARBURETOR ASSY. (BG22G C) ...	-	-	1	-	-	16100-ZJ1-842	
16		16200-ZJ1-842	VALVE ASSY., SOLENOID .....	-	-	1	-	-	16200-ZJ1-841		
E-15-2	4	17220-Z6C-000	CASE COMP., AIR CLEANER .....	-	-	1	-	-	17220-ZJ1-840		
	21	90634-ZL8-H00	CAP, SEALING .....	-	-	1	-	-			
	22	95002-02100	CLIP, TUBE (B10) .....	-	-	1	-	-			
E-16	2		MUFFLER COMP. (HIGH) .....	-	-	(0)	-	-	18310-ZJ1-013		
	3		PROTECTOR, MUFFLER (HIGH) ....	-	-	(0)	-	-	18321-ZJ1-003		
	5		STAY, MUFFLER (HIGH) .....	-	-	(0)	-	-	18338-ZJ1-841		
	6		BAND ASSY. ....	-	-	(0)	-	-	18396-ZJ1-003		
	7		BOLT, FLANGE, 6X8 .....	-	-	(0)	-	-	95701-06008-00		



## PARTS CATALOGUE NEWS

BOOKNo. : 13ZJ10E7

Block No.	Ref. No.	Part No.	Description	Reqd. QTY					Base Part No.	Parts catalogue code
				GX 620 (1)	GX 620 (2)	GX 620 K1 (1)	GX 620 (3)	GX 620 K1 (2)		
	8		BOLT, FLANGE, 8X14 .....	-	-	(0)	-	-	95701-08014-00	
	9		BOLT, FLANGE, 8X20 .....	-	-	(0)	-	-	95701-08020-00	
	10		PIPE COMP., EX. (HIGH-R) .....	-	-	(0)	-	-	18330-ZJ1-841	
	11		ARRESTER, SPARK .....	-	-	(0)	-	-	18355-ZJ1-003	
	12		SCREW, (NELSON) .....	-	-	(0)	-	-	90009-ZJ1-801	
E-16-1	2		MUFFLER COMP. (HIGH) .....	-	-	0	-	-	18310-ZJ1-013	
	3		PROTECTOR, MUFFLER (HIGH) ....	-	-	0	-	-	18321-ZJ1-003	
	5		STAY, MUFFLER (HIGH) .....	-	-	0	-	-	18338-ZJ1-841	
	6		BAND ASSY. ....	-	-	0	-	-	18396-ZJ1-003	
	7		BOLT, FLANGE, 6X8 .....	-	-	0	-	-	95701-06008-00	
	8		BOLT, FLANGE, 8X14 .....	-	-	0	-	-	95701-08014-00	
	9		BOLT, FLANGE, 8X20 .....	-	-	0	-	-	95701-08020-00	
	10		PIPE COMP., EX. (HIGH-L) .....	-	-	0	-	-	18330-ZJ1-851	
	11		ARRESTER, SPARK .....	-	-	(0)	-	-	18355-ZJ1-003	
	12		SCREW, (NELSON) .....	-	-	(0)	-	-	90009-ZJ1-801	

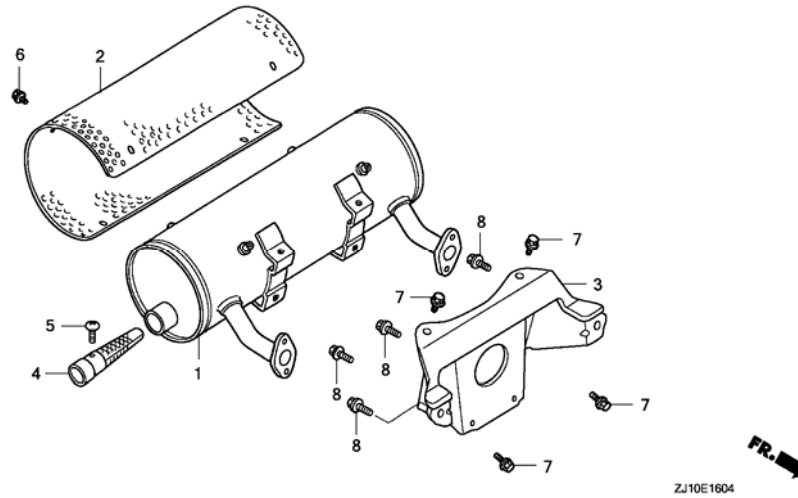
PARTS CATALOGUE NEWS

BOOKNo. : 13ZJ10E7

Block No.	Ref. No.	Part No.	Description	Reqd. QTY					Base Part No.	Parts catalogue code
				GX 620	GX 620	GX 620 K1	GX 620	GX 620 K1		
				(1)	(2)	(1)	(3)	(2)		

E-16-4 MUFFLER (5)

Ref. No.	LON	(Relative ref. Number) Description	FRT
1	3131F7	MUFFLER, EXHAUST (A) .....	0.4
2	3131L9	PROTECTOR, EXHAUST MUFFLER (A) .....	0.2
3	3131E1	STAY, MUFFLER .....	0.4
4	3131A1	ARRESTER, SPARK .....	0.1
. INCLUDES: Spark arrester check			



E-16-4	1	18310-ZJ1-004	MUFFLER COMP. (HIGH-R) .....	-	-	(1)	-	-
	2	18321-ZJ1-000	PROTECTOR, MUFFLER (HIGH) ....	-	-	(1)	-	-
	3	18338-ZJ1-000	STAY, MUFFLER (HIGH) .....	-	-	(1)	-	-
	4	18355-ZJ1-000	ARRESTER, SPARK .....	-	-	(1)	-	-
	5	90050-ZE1-000	SCREW, TAPPING, 5X8 .....	-	-	(1)	-	-
	6	95701-06008-00	BOLT, FLANGE, 6X8 .....	-	-	(6)	-	-
	7	95701-08014-00	BOLT, FLANGE, 8X14 .....	-	-	(4)	-	-
	8	95701-08020-00	BOLT, FLANGE, 8X20 .....	-	-	(4)	-	-

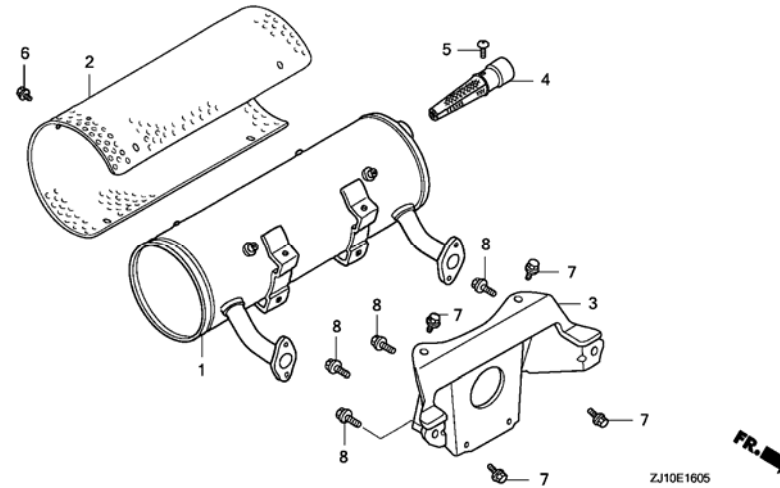
PARTS CATALOGUE NEWS

BOOKNo. : 13ZJ10E7

Block No.	Ref. No.	Part No.	Description	Reqd. QTY					Base Part No.	Parts catalogue code
				GX 620	GX 620	GX 620 K1	GX 620	GX 620 K1		
				(1)	(2)	(1)	(3)	(2)		

E-16-5 MUFFLER (6)

Ref. No.	LON	(Relative ref. Number) Description	FRT
1	3131F7	MUFFLER, EXHAUST (A) .....	0.4
2	3131L9	PROTECTOR, EXHAUST MUFFLER (A) .....	0.2
3	3131E1	STAY, MUFFLER .....	0.4
4	3131A1	ARRESTER, SPARK .....	0.1
. INCLUDES: Spark arrester check			



E-16-5	1	18310-ZJ1-802	MUFFLER COMP. (HIGH-L) .....	-	-	1	-	-		
	2	18321-ZJ1-000	PROTECTOR, MUFFLER (HIGH) ....	-	-	1	-	-		
	3	18338-ZJ1-000	STAY, MUFFLER (HIGH) .....	-	-	1	-	-		
	4	18355-ZJ1-000	ARRESTER, SPARK .....	-	-	(1)	-	-		
	5	90050-ZE1-000	SCREW, TAPPING, 5X8 .....	-	-	(1)	-	-		
	6	95701-06008-00	BOLT, FLANGE, 6X8 .....	-	-	6	-	-		
	7	95701-08014-00	BOLT, FLANGE, 8X14 .....	-	-	4	-	-		
	8	95701-08020-00	BOLT, FLANGE, 8X20 .....	-	-	4	-	-		
E-18-1	26	95003-25015-20	TUBE, VINYL, 9X11X150 (95003-25001-10M)	-	-	1	-	-		
E-20	1	30500-ZJ1-845	COIL ASSY., IGNITION .....	-	-	1	-	-	30500-ZJ1-844	
	6	31630-ZJ1-802	COIL ASSY., CHARGE (12V/20A) .	-	-	1	-	-	31630-ZJ1-801	

## PARTS CATALOGUE NEWS

BOOKNo. : 13ZJ10E7

Block No.	Ref. No.	Part No.	Description	Reqd. QTY					Base Part No.	Parts catalogue code
				GX 620 (1)	GX 620 (2)	GX 620 K1 (1)	GX 620 (3)	GX 620 K1 (2)		
	7	31740-ZJ1-862	DIODE ASSY., ENGINE STOP .....	-	-	1	-	-	31740-ZJ1-861	
	20	30550-ZJ1-845	COIL ASSY., IGNITION .....	-	-	1	-	-	30550-ZJ1-844	
E-21-1	3	31200-ZJ1-842	MOTOR ASSY., STARTER .....	-	-	1	-	-	31200-ZJ1-841	
	5	31204-ZJ1-H02	SWITCH ASSY., MAGNET .....	-	-	1	-	-	31204-ZJ1-H01	
	17	31234-ZJ1-H02	COVER, TERMINAL .....	-	-	1	-	-	31234-ZJ1-H01	
E-22-2	9	16576-891-000	HOLDER, CABLE .....	-	-	1	-	-		
	22	92301-05016-0A	BOLT, RECESSED, 5X16 .....	-	-	1	-	-		
E-23	3	31620-ZG5-033	RECTIFIER ASSY., REGULATOR (20A)	-	-	1	-	-	31620-ZG5-013	
E-28-1	1	87101-ZJ1-842	MARK, EMBLEM (GX620) .....	-	-	1	-	-	87101-ZJ1-841	
	29	87114-ZH7-000	LABEL, WARNING (NOT CERTIFIED FOR SALE)	-	-	1	-	-		
	33	87516-ZH7-810	MARK, OPERATOR CAUTION (PICTOGRAPH) (MADE IN JAPAN)	-	-	(1)	-	-		



# PARTS CATALOGUE NEWS

Honda Motor Co., Ltd. Service Division

## PARTS CATALOGUE - CORRECTED

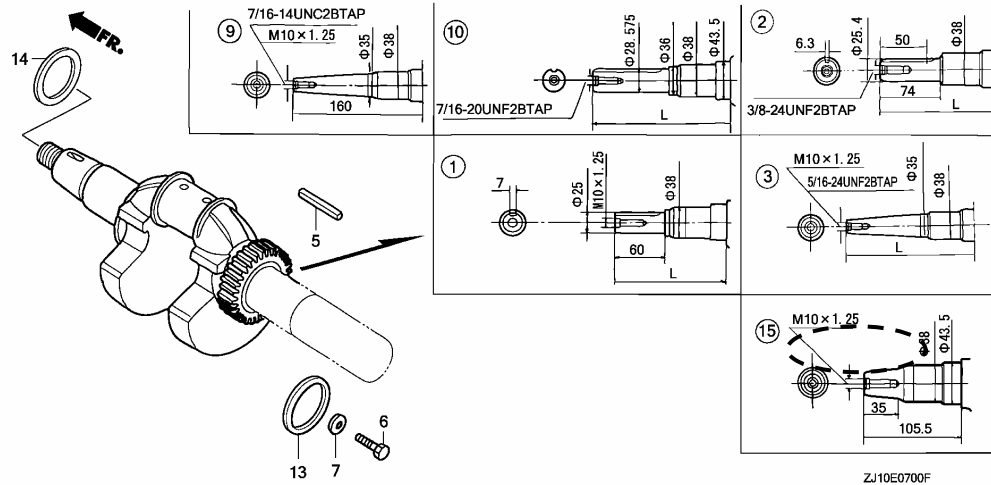
Printed in Japan

CODE NO.	BOOKLET TYPE	13ZJ10E7
	MICRO-FICHE	13ZJ10EG/FG
PARTS CATALOGUE NEWS	GX620 GX620K1 GX620 [PROPANE ENGINE] GX620K1 [PROPANE ENGINE]	
NEWS NO.	046	

Block No.	Ref. No.	Note	Part No.	Description	Reqd. QTY					Serial No.	Parts catalogue code
					GX 620 (1)	GX 620 (2)	GX 620 K1 (1)	GX 620 K1 (3)	GX 620 K1 (2)		

### E-7 CRANKSHAFT

ILLUSTRATION CORRECTED



NOTE A:PART NO. CHANGE D:NEWLY PROVIDED E:PART NO.DELETION K:REQUIRED NO. CORRECTION L:APPLICATION SERIAL NO. CORRECTION T:APPLICATION CORRECTION Z:REMARKS CHANGE

PARTS CATALOGUE NEWS

BOOKNo. : 13ZJ10E7

Block No.	Ref. No.	Note	Part No.	Description	Reqd. QTY					Serial No.	Parts catalogue code									
					GX 620	GX 620	GX 620 K1	GX 620	GX 620 K1											
					(1)	(2)	(1)	(3)	(2)											
E-14-2	26	K	95002-02080	CLIP, TUBE (B8) .....	-	-	1	-	-	-----	-----	QAB, QAB/A, QAB6, QAB6/A, QAD2, QAD2/A, QAF, QAF/A, QAF1, QAF1/A, QAF2, QAF2/A, QAF5, QAF5/A, QAF6, QAF6/A, QAF7, QAF7/A, QAF8, QAF8/A, QAF9, QAF9/A, QAX1, QAX1/A, QDF, QDF/A, QDF6, QDF6/A, QDP2, QDP2/A, QDW, QDW/A, QKW, QKW1, QKW2, QKW3, QWA6, QWA6/A, QWD, QWF6, QWF6/A, QXA, QXA/A, QXA3, QXA3/A, QXA6, QXA6/A, QXC2, QXC2/A, QXE1, QXE1/A, QXE4, QXE4/A, QXE5, QXE5/A, QXE7, QXE7/A, QXE8, QXE8/A, QXF, QXF/A, QXF3, QXF4, QXF4/A, QXF6, QXF6/A, QXF8, QXF8/A, QXW2, QXW2/A, QXW4, QXW4/A, QYA, QYA/A, QYF, QYF/A, QZB, QZB/A, QZB2, QZB2/A, QZB3, QZB3/A, QZD, QZD/A, QZE3, QZE3/A, QZE4, QZE4/A, QZF1, QZF1/A, QZF2, QZF2/A, QZF8, QZF8/A, QZX1, QZX1/A, QZX4, QZX4/A, QZX5, QZX5/A, SAE1, SAE1/A, SAF1, SAF1/A, SAF1/B, TXF2, TXF2/A, VAB2, VAB2/A, VAB3, VAB3/A, VAF, VAF/A, VAF6, VAF6/A, VAY, VDB2, VDB2/A, VDC2, VDC2/A, VEP4, VEP4/A, VXA1, VXA1/A, VXA4, VXA4/A, VXA5, VXA5/A, VXA6, VXA6/A, VXD4, VXD4/A, VXE1, VXE1/A, VXE2, VXE2/A, VXE4, VXE4/A, VXE8, VXE8/A, VXF, VXF/A, VXF4, VXF4/A, VXP2, VXP2/A, VXZ4, VXZ4/A, VYA1, VYA3, VYA3/A, VYE3, VYE3/A, VZA1, VZE2, VZE7, VZE7/A, VZE8, VZE8/A, VZE9, VZS7, VZS8	-	-	3	-	-	-----	-----	QXB1, QXB1/A, QYD, QYD/A
E-15-2	13	T	15772-551-000	CLIP, BREATHER TUBE .....	-	-	-	-	1											

NOTE A:PART NO. CHANGE D:NEWLY PROVIDED E:PART NO.DELETION K:REQUIRED NO. CORRECTION L:APPLICATION SERIAL NO. CORRECTION  
T:APPLICATION CORRECTION Z:REMARKS CHANGE

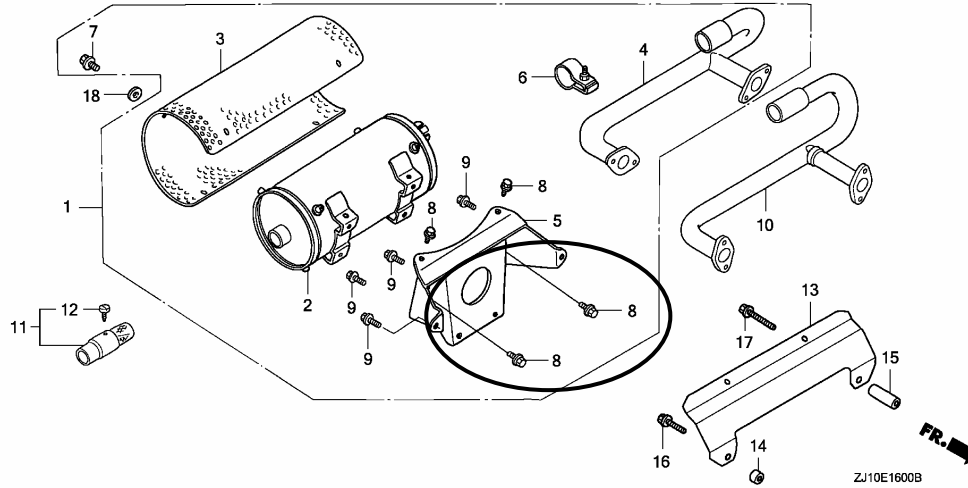
PARTS CATALOGUE NEWS

BOOKNo. : 13ZJ10E7

Block No.	Ref. No.	Note	Part No.	Description	Reqd. QTY					Serial No.	Parts catalogue code
					GX 620	GX 620	GX 620 K1	GX 620	GX 620 K1		
					(1)	(2)	(1)	(3)	(2)		

E-16 MUFFLER (1)

ILLUSTRATION CORRECTED



NOTE A:PART NO. CHANGE D:NEWLY PROVIDED E:PART NO.DELETION K:REQUIRED NO. CORRECTION L:APPLICATION SERIAL NO. CORRECTION  
T:APPLICATION CORRECTION Z:REMARKS CHANGE

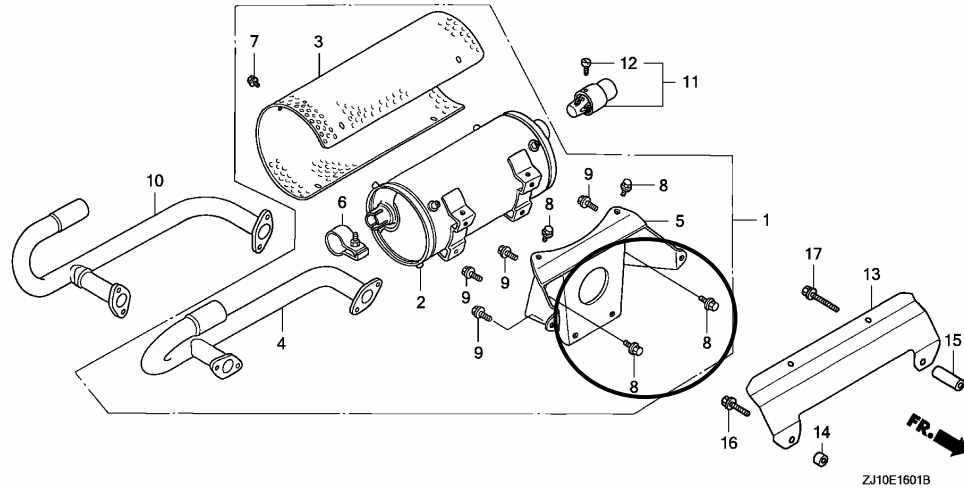
PARTS CATALOGUE NEWS

BOOKNo. : 13ZJ10E7

Block No.	Ref. No.	Note	Part No.	Description	Reqd. QTY					Serial No.	Parts catalogue code
					GX 620	GX 620	GX 620 K1	GX 620	GX 620 K1		

E-16-1 MUFFLER (2)

ILLUSTRATION CORRECTED



E-16-1	2	L	18310-ZJ1-013	MUFFLER COMP. (HIGH) .....	-	-	1	-	-	-----	QAF5, QAF6, QAF9, QAF9/A, QXF3, QXF8, QXF8/A, QZF2, QZF2/A, SAE1, SAF1, SAF1/A, VYE3
					-	-	1	-	-	-----	2195584 QAF5/A, QAF6/A, SAE1/A, VYE3/A
					-	-	(1)	-	-	-----	QAB, QAB/A, QAB6, QAB6/A, QAD2, QAD2/A, QAF, QAF/A, QAF1, QAF1/A, QAF2, QAF2/A, QAF7, QAF7/A, QAF8, QAF8/A, QAX1, QAX1/A, QDF, QDF/A, QDF6, QDF6/A, QDP2, QDP2/A, QDW, QDW/A, QWA6, QWA6/A, QWF6, QWF6/A, QXA, QXA/A, QXA3, QXA3/A, QXA6, QXA6/A, QXB1, QXB1/A, QXC2, QXC2/A, QXE1, QXE1/A, QXE4, QXE4/A, QXE5, QXE5/A, QXE7, QXE7/A, QXE8, QXE8/A, QXF, QXF/A, QXF4, QXF4/A, QXF6, QXF6/A, QXW2, QXW2/A, QXW4, QXW4/A, QYA, QYA/A, QYF, QYF/A, QZB, QZB/A, QZB2, QZB2/A, QZB3, QZB3/A, QZD, QZE3, QZE3/A, QZE4, QZE4/A, QZF1, QZF1/A, QZX1, QZX1/A, QZX4, QZX4/A, QZX5, QZX5/A, TXF2, TXF2/A, VAB2, VAB2/A, VAB3, VAB3/A, VAF, VAF/A, VAF6, VAF6/A, VDB2, VDB2/A, VDC2, VDC2/A, VEP4, VEP4/A, VXA1, VXA1/A, VXA4, VXA4/A, VXA5, VXA5/A, VXA6, VXA6/A, VXD4, VXD4/A, VXE1, VXE1/A, VXE2, VXE2/A, VXE4, VXE4/A, VXE8, VXE8/A, VXF, VXF/A, VXF4, VXF4/A, VXP2, VXP2/A, VXZ4, VXZ4/A, VYA1, VYA1, VYA3, VYA3/A, VZA1

NOTE A:PART NO. CHANGE D:NEWLY PROVIDED E:PART NO.DELETION K:REQUIRED NO. CORRECTION L:APPLICATION SERIAL NO. CORRECTION  
T:APPLICATION CORRECTION Z:REMARKS CHANGE



PARTS CATALOGUE NEWS

BOOKNo. : 13ZJ10E7

Block No.	Ref. No.	Note	Part No.	Description	Reqd. QTY					Serial No.	Parts catalogue code		
					GX 620	GX 620	GX 620 K1	GX 620	GX 620 K1				
					(1)	(2)	(1)	(3)	(2)				
					-	-	(1)	-	-	-----	2195584	QKW, QKW1, QKW2, QKW3, QWD, QZD/A, VAY	
					-	-	-	-	(1)				
	3	L	18321-ZJ1-003	PROTECTOR, MUFFLER (HIGH) ....	(1)	-	-	-	(1)				
					-	-	1	-	-	-----	-----	QAF5, QAF6, QAF9, QAF9/A, QXF3, QXF8, QXF8/A, QZF2 QZF2/A, SAE1, SAF1, SAF1/A, VYE3	
					-	-	1	-	-	-----	2195584	QAF5/A, QAF6/A, SAE1/A, VYE3/A	
					-	-	(1)	(1)	-	-----	-----	QAB, QAB/A, QAB6, QAB6/A, QAD2, QAD2/A, QAF, QAF/A QAF1, QAF1/A, QAF2, QAF2/A, QAF7, QAF7/A, QAF8 QAF8/A, QAX1, QAX1/A, QDF, QDF/A, QDF6, QDF6/A, QDP2 QDP2/A, QDW, QDW/A, QWA6, QWA6/A, QWF6, QWF6/A, QXA QXA/A, QXA3, QXA3/A, QXA6, QXA6/A, QXB1, QXB1/A, QXC2 QXC2/A, QXE1, QXE1/A, QXE4, QXE4/A, QXE5, QXE5/A QXE7, QXE7/A, QXE8, QXE8/A, QXF, QXF/A, QXF4, QXF4/A QXF6, QXF6/A, QXW2, QXW2/A, QXW4, QXW4/A, QYA, QYA/A QYF, QYF/A, QZB, QZB/A, QZB2, QZB2/A, QZB3, QZB3/A QZD, QZE3, QZE3/A, QZE4, QZE4/A, QZF1, QZF1/A, QZX1 QZX1/A, QZX4, QZX4/A, QZX5, QZX5/A, TXF2, TXF2/A VABP, VAB2, VAB2/A, VAB3, VAB3/A, VAF, VAF/A, VAF6 VAF6/A, VDB2, VDB2/A, VDC2, VDC2/A, VEP4, VEP4/A VXA1, VXA1/A, VXA4, VXA4/A, VXA5, VXA5/A, VXA6 VXA6/A, VXD4, VXD4/A, VXE1, VXE1/A, VXE2, VXE2/A VXE4, VXE4/A, VXE8, VXE8/A, VXF, VXF/A, VXF4, VXF4/A VXP2, VXP2/A, VXZ4, VXZ4/A, VYA1, VYA3, VYA3/A, VZA1	
					-	-	(1)	-	-	-----	2195584	QKW, QKW1, QKW2, QKW3, QWD, QZD/A, VAY	
	5	L	18338-ZJ1-841	STAY, MUFFLER (HIGH) .....	-	-	1	-	-	-----	-----	QAF5, QAF6, QAF9, QAF9/A, QXF3, QXF8, QXF8/A, QZF2 QZF2/A, SAE1, SAF1, SAF1/A, VYE3	
					-	-	1	-	-	-----	2195584	QAF5/A, QAF6/A, SAE1/A, VYE3/A	

NOTE A:PART NO. CHANGE D:NEWLY PROVIDED E:PART NO.DELETION K:REQUIRED NO. CORRECTION L:APPLICATION SERIAL NO. CORRECTION T:APPLICATION CORRECTION Z:REMARKS CHANGE

PARTS CATALOGUE NEWS

BOOKNo. : 13ZJ10E7

Block No.	Ref. No.	Note	Part No.	Description	Reqd. QTY					Serial No.	Parts catalogue code	
					GX 620	GX 620	GX 620	GX 620	GX 620			
					(1)	(2)	(1)	(3)	(2)			
					-	-	(1)	-	-	-----	-----	QAB, QAB/A, QAB6, QAB6/A, QAD2, QAD2/A, QAF, QAF/A, QAF1, QAF1/A, QAF2, QAF2/A, QAF7, QAF7/A, QAF8, QAF8/A, QAX1, QAX1/A, QDF, QDF/A, QDF6, QDF6/A, QDP2, QDP2/A, QDW, QDW/A, QWA6, QWA6/A, QWF6, QWF6/A, QXA, QXA/A, QXA3, QXA3/A, QXA6, QXA6/A, QXB1, QXB1/A, QXC2, QXC2/A, QXE1, QXE1/A, QXE4, QXE4/A, QXE5, QXE5/A, QXE7, QXE7/A, QXE8, QXE8/A, QXF, QXF/A, QXF4, QXF4/A, QXF6, QXF6/A, QXW2, QXW2/A, QXW4, QXW4/A, QYA, QYA/A, QYF, QYF/A, QZB, QZB/A, QZB2, QZB2/A, QZB3, QZB3/A, QZD, QZE3, QZE3/A, QZE4, QZE4/A, QZF1, QZF1/A, QZX1, QZX1/A, QZX4, QZX4/A, QZX5, QZX5/A, TXF2, TXF2/A, VAB2, VAB2/A, VAB3, VAB3/A, VAF, VAF/A, VAF6, VAF6/A, VDB2, VDB2/A, VDC2, VDC2/A, VEP4, VEP4/A, VXA1, VXA1/A, VXA4, VXA4/A, VXA5, VXA5/A, VXA6, VXA6/A, VXD4, VXD4/A, VXE1, VXE1/A, VXE2, VXE2/A, VXE4, VXE4/A, VXE8, VXE8/A, VXF, VXF/A, VXF4, VXF4/A, VXP2, VXP2/A, VXZ4, VXZ4/A, VYA1, VYA1, VYA3, VYA3/A, VZA1
					-	-	(1)	-	-	-----	2195584	QKW, QKW1, QKW2, QKW3, QWD, QZD/A, VAY
					-	-	-	-	(1)			
	6	L	18396-ZJ1-003	BAND ASSY. ....	(1)	-	-	-	(1)			
					-	-	1	-	-	-----	-----	QAF5, QAF6, QAF9, QAF9/A, QXF3, QXF8, QXF8/A, QZF2, QZF2/A, SAE1, SAF1, SAF1/A, VYE3
					-	-	1	-	-	-----	2195584	QAF5/A, QAF6/A, SAE1/A, VYE3/A
					-	-	(1)	(1)	-	-----	-----	QAB, QAB/A, QAB6, QAB6/A, QAD2, QAD2/A, QAF, QAF/A, QAF1, QAF1/A, QAF2, QAF2/A, QAF7, QAF7/A, QAF8, QAF8/A, QAX1, QAX1/A, QDF, QDF/A, QDF6, QDF6/A, QDP2, QDP2/A, QDW, QDW/A, QWA6, QWA6/A, QWF6, QWF6/A, QXA, QXA/A, QXA3, QXA3/A, QXA6, QXA6/A, QXB1, QXB1/A, QXC2, QXC2/A, QXE1, QXE1/A, QXE4, QXE4/A, QXE5, QXE5/A, QXE7, QXE7/A, QXE8, QXE8/A, QXF, QXF/A, QXF4, QXF4/A, QXF6, QXF6/A, QXW2, QXW2/A, QXW4, QXW4/A, QYA, QYA/A, QYF, QYF/A, QZB, QZB/A, QZB2, QZB2/A, QZB3, QZB3/A, QZD, QZE3, QZE3/A, QZE4, QZE4/A, QZF1, QZF1/A, QZX1, QZX1/A, QZX4, QZX4/A, QZX5, QZX5/A, TXF2, TXF2/A, VABP, VAB2, VAB2/A, VAB3, VAB3/A, VAF, VAF/A, VAF6, VAF6/A, VDB2, VDB2/A, VDC2, VDC2/A, VEP4, VEP4/A, VXA1, VXA1/A, VXA4, VXA4/A, VXA5, VXA5/A, VXA6, VXA6/A, VXD4, VXD4/A, VXE1, VXE1/A, VXE2, VXE2/A, VXE4, VXE4/A, VXE8, VXE8/A, VXF, VXF/A, VXF4, VXF4/A, VXP2, VXP2/A, VXZ4, VXZ4/A, VYA1, VYA1, VYA3, VYA3/A, VZA1
					-	-	(1)	-	-	-----	2195584	QKW, QKW1, QKW2, QKW3, QWD, QZD/A, VAY

NOTE A:PART NO. CHANGE D:NEWLY PROVIDED E:PART NO. DELETION K:REQUIRED NO. CORRECTION L:APPLICATION SERIAL NO. CORRECTION  
T:APPLICATION CORRECTION Z:REMARKS CHANGE

PARTS CATALOGUE NEWS

BOOKNo. : 13ZJ10E7

Block No.	Ref. No.	Note	Part No.	Description	Reqd. QTY					Serial No.	Parts catalogue code		
					GX 620	GX 620	GX 620 K1	GX 620	GX 620 K1				
					(1)	(2)	(1)	(3)	(2)				
		7	L	95701-06008-00	BOLT, FLANGE, 6X8 .....	(6)	-	-	-	(6)			
						-	-	6	-	-	-----	-----	QAF5, QAF6, QAF9, QAF9/A, QXF3, QXF8, QXF8/A, QZF2 QZF2/A, SAE1, SAF1, SAF1/A, VYE3
						-	-	6	-	-	-----	2195584	QAF5/A, QAF6/A, SAE1/A, VYE3/A
						-	-	(6)	(6)	-	-----	-----	QAB, QAB/A, QAB6, QAB6/A, QAD2, QAD2/A, QAF, QAF/A QAF1, QAF1/A, QAF2, QAF2/A, QAF7, QAF7/A, QAF8 QAF8/A, QAX1, QAX1/A, QDF, QDF/A, QDF6, QDF6/A, QDP2 QDP2/A, QDW, QDW/A, QWA6, QWA6/A, QWF6, QWF6/A, QXA QXA/A, QXA3, QXA3/A, QXA6, QXA6/A, QXB1, QXB1/A, QXC2 QXC2/A, QXE1, QXE1/A, QXE4, QXE4/A, QXE5, QXE5/A QXE7, QXE7/A, QXE8, QXE8/A, QXF, QXF/A, QXF4, QXF4/A QXF6, QXF6/A, QXW2, QXW2/A, QXW4, QXW4/A, QYA, QYA/A QYF, QYF/A, QZB, QZB/A, QZB2, QZB2/A, QZB3, QZB3/A QZD, QZE3, QZE3/A, QZE4, QZE4/A, QZF1, QZF1/A, QZX1 QZX1/A, QZX4, QZX4/A, QZX5, QZX5/A, TXF2, TXF2/A VABP, VAB2, VAB2/A, VAB3, VAB3/A, VAF, VAF/A, VAF6 VAF6/A, VDB2, VDB2/A, VDC2, VDC2/A, VEP4, VEP4/A VXA1, VXA1/A, VXA4, VXA4/A, VXA5, VXA5/A, VXA6 VXA6/A, VXD4, VXD4/A, VXE1, VXE1/A, VXE2, VXE2/A VXE4, VXE4/A, VXE8, VXE8/A, VXF, VXF/A, VXF4, VXF4/A VXP2, VXP2/A, VXZ4, VXZ4/A, VYA1, VYA3, VYA3/A, VZA1
						-	-	(6)	-	-	-----	2195584	QKW, QKW1, QKW2, QKW3, QWD, QZD/A, VAY
		8	L	95701-08014-00	BOLT, FLANGE, 8X14 .....	(4)	-	-	-	(4)			
						-	-	4	-	-	-----	-----	QAF5, QAF6, QAF9, QAF9/A, QXF3, QXF8, QXF8/A, QZF2 QZF2/A, SAE1, SAF1, SAF1/A, VYE3
						-	-	4	-	-	-----	2195584	QAF5/A, QAF6/A, SAE1/A, VYE3/A

NOTE A:PART NO. CHANGE D:NEWLY PROVIDED E:PART NO. DELETION K:REQUIRED NO. CORRECTION L:APPLICATION SERIAL NO. CORRECTION  
T:APPLICATION CORRECTION Z:REMARKS CHANGE

PARTS CATALOGUE NEWS

BOOKNo. : 13ZJ10E7

Block No.	Ref. No.	Note	Part No.	Description	Reqd. QTY					Serial No.	Parts catalogue code		
					GX 620	GX 620	GX 620	GX 620	GX 620				
					(1)	(2)	(1)	(3)	(2)				
					-	-	(4)	(4)	-	-----	-----	QAB, QAB/A, QAB6, QAB6/A, QAD2, QAD2/A, QAF, QAF/A, QAF1, QAF1/A, QAF2, QAF2/A, QAF7, QAF7/A, QAF8, QAF8/A, QAX1, QAX1/A, QDF, QDF/A, QDF6, QDF6/A, QDP2, QDP2/A, QDW, QDW/A, QWA6, QWA6/A, QWF6, QWF6/A, QXA, QXA/A, QXA3, QXA3/A, QXA6, QXA6/A, QXB1, QXB1/A, QXC2, QXC2/A, QXE1, QXE1/A, QXE4, QXE4/A, QXE5, QXE5/A, QXE7, QXE7/A, QXE8, QXE8/A, QXF, QXF/A, QXF4, QXF4/A, QXF6, QXF6/A, QXW2, QXW2/A, QXW4, QXW4/A, QYA, QYA/A, QYF, QYF/A, QZB, QZB/A, QZB2, QZB2/A, QZB3, QZB3/A, QZD, QZE3, QZE3/A, QZE4, QZE4/A, QZF1, QZF1/A, QZX1, QZX1/A, QZX4, QZX4/A, QZX5, QZX5/A, TXF2, TXF2/A, VABP, VAB2, VAB2/A, VAB3, VAB3/A, VAF, VAF/A, VAF6, VAF6/A, VDB2, VDB2/A, VDC2, VDC2/A, VEP4, VEP4/A, VXA1, VXA1/A, VXA4, VXA4/A, VXA5, VXA5/A, VXA6, VXA6/A, VXD4, VXD4/A, VXE1, VXE1/A, VXE2, VXE2/A, VXE4, VXE4/A, VXE8, VXE8/A, VXF, VXF/A, VXF4, VXF4/A, VXP2, VXP2/A, VXZ4, VXZ4/A, VYA1, VYA3, VYA3/A, VZA1	
					-	-	(4)	-	-	-----	2195584	QKW, QKW1, QKW2, QKW3, QWD, QZD/A, VAY	
	9	L	95701-08020-00	BOLT, FLANGE, 8X20 .....	(4)	-	-	-	(4)				
					-	-	4	-	-	-----	-----	QAF5, QAF6, QAF9, QAF9/A, QXF3, QXF8, QXF8/A, QZF2, QZF2/A, SAE1, SAF1, SAF1/A, VYE3	
					-	-	4	-	-	-----	2195584	QAF5/A, QAF6/A, SAE1/A, VYE3/A	
					-	-	(4)	(4)	-	-----	-----	QAB, QAB/A, QAB6, QAB6/A, QAD2, QAD2/A, QAF, QAF/A, QAF1, QAF1/A, QAF2, QAF2/A, QAF7, QAF7/A, QAF8, QAF8/A, QAX1, QAX1/A, QDF, QDF/A, QDF6, QDF6/A, QDP2, QDP2/A, QDW, QDW/A, QWA6, QWA6/A, QWF6, QWF6/A, QXA, QXA/A, QXA3, QXA3/A, QXA6, QXA6/A, QXB1, QXB1/A, QXC2, QXC2/A, QXE1, QXE1/A, QXE4, QXE4/A, QXE5, QXE5/A, QXE7, QXE7/A, QXE8, QXE8/A, QXF, QXF/A, QXF4, QXF4/A, QXF6, QXF6/A, QXW2, QXW2/A, QXW4, QXW4/A, QYA, QYA/A, QYF, QYF/A, QZB, QZB/A, QZB2, QZB2/A, QZB3, QZB3/A, QZD, QZE3, QZE3/A, QZE4, QZE4/A, QZF1, QZF1/A, QZX1, QZX1/A, QZX4, QZX4/A, QZX5, QZX5/A, TXF2, TXF2/A, VABP, VAB2, VAB2/A, VAB3, VAB3/A, VAF, VAF/A, VAF6, VAF6/A, VDB2, VDB2/A, VDC2, VDC2/A, VEP4, VEP4/A, VXA1, VXA1/A, VXA4, VXA4/A, VXA5, VXA5/A, VXA6, VXA6/A, VXD4, VXD4/A, VXE1, VXE1/A, VXE2, VXE2/A, VXE4, VXE4/A, VXE8, VXE8/A, VXF, VXF/A, VXF4, VXF4/A, VXP2, VXP2/A, VXZ4, VXZ4/A, VYA1, VYA3, VYA3/A, VZA1	
					-	-	(4)	-	-	-----	2195584	QKW, QKW1, QKW2, QKW3, QWD, QZD/A, VAY	

NOTE A:PART NO. CHANGE D:NEWLY PROVIDED E:PART NO. DELETION K:REQUIRED NO. CORRECTION L:APPLICATION SERIAL NO. CORRECTION  
T:APPLICATION CORRECTION Z:REMARKS CHANGE

PARTS CATALOGUE NEWS

BOOKNo. : 13ZJ10E7

Block No.	Ref. No.	Note	Part No.	Description	Reqd. QTY					Serial No.	Parts catalogue code	
					GX 620 (1)	GX 620 (2)	GX 620 K1 (1)	GX 620 (3)	GX 620 K1 (2)			
	10	L	18330-ZJ1-851	PIPE COMP., EX. (HIGH-L) .....	-	-	1	-	-	-----	-----	QAF5, QAF6, QAF9, QAF9/A, QXF3, QXF8, QXF8/A, QZF2 QZF2/A, SAE1, SAF1, SAF1/A, VYE3
					-	-	1	-	-	-----	2195584	QAF5/A, QAF6/A, SAE1/A, VYE3/A
					-	-	(1)	-	-	-----	-----	QAB, QAB/A, QAB6, QAB6/A, QAD2, QAD2/A, QAF, QAF/A QAF1, QAF1/A, QAF2, QAF2/A, QAF7, QAF7/A, QAF8 QAF8/A, QAX1, QAX1/A, QDF, QDF/A, QDF6, QDF6/A, QDP2 QDP2/A, QDW, QDW/A, QWA6, QWA6/A, QWF6, QWF6/A, QXA QXA/A, QXA3, QXA3/A, QXA6, QXA6/A, QXB1, QXB1/A, QXC2 QXC2/A, QXE1, QXE1/A, QXE4, QXE4/A, QXE5, QXE5/A QXE7, QXE7/A, QXE8, QXE8/A, QXF, QXF/A, QXF4, QXF4/A QXF6, QXF6/A, QXW2, QXW2/A, QXW4, QXW4/A, QYA, QYA/A QYF, QYF/A, QZB, QZB/A, QZB2, QZB2/A, QZB3, QZB3/A QZD, QZE3, QZE3/A, QZE4, QZE4/A, QZF1, QZF1/A, QZX1 QZX1/A, QZX4, QZX4/A, QZX5, QZX5/A, TXF2, TXF2/A VAB2, VAB2/A, VAB3, VAB3/A, VAF, VAF/A, VAF6, VAF6/A VDB2, VDB2/A, VDC2, VDC2/A, VEP4, VEP4/A, VXA1 VXA1/A, VXA4, VXA4/A, VXA5, VXA5/A, VXA6, VXA6/A VXD4, VXD4/A, VXE1, VXE1/A, VXE2, VXE2/A, VXE4 VXE4/A, VXE8, VXE8/A, VXF, VXF/A, VXF4, VXF4/A, VXP2 VXP2/A, VXZ4, VXZ4/A, VYA1, VYA3, VYA3/A, VZA1
					-	-	(1)	-	-	-----	2195584	QKW, QKW1, QKW2, QKW3, QWD, QZD/A, VAY
					-	-	-	-	(1)	-----	-----	
	11	L	18355-ZJ1-003	ARRESTER, SPARK .....	(1)	-	(1)	-	-	-----	-----	VXE2, VXE8
					(1)	-	-	-	-	-----	-----	VZE7, VZE8
					-	-	1	-	-	-----	-----	VYE3
					-	-	1	-	-	-----	2195584	VYE3/A

NOTE A:PART NO. CHANGE D:NEWLY PROVIDED E:PART NO. DELETION K:REQUIRED NO. CORRECTION L:APPLICATION SERIAL NO. CORRECTION T:APPLICATION CORRECTION Z:REMARKS CHANGE

PARTS CATALOGUE NEWS

BOOKNo. : 13ZJ10E7

Block No.	Ref. No.	Note	Part No.	Description	Reqd. QTY					Serial No.	Parts catalogue code	
					GX 620	GX 620	GX 620	GX 620	GX 620			
					(1)	(2)	(1)	(3)	(2)			
					-	-	(1)	(1)	-	-----	-----	QAB, QAB/A, QAB6, QAB6/A, QAD2, QAD2/A, QAF, QAF/A, QAFP, QAFU, QAF1, QAF1/A, QAF2, QAF2/A, QAF5, QAF6, QAF7, QAF7/A, QAF8, QAF8/A, QAF9, QAF9/A, QAX1, QAX1/A, QDF, QDF/A, QDF6, QDF6/A, QDP2, QDP2/A, QDW, QDW/A, QWA6, QWA6/A, QWF6, QWF6/A, QXA, QXA/A, QXAP, QXAU, QXA3, QXA3/A, QXA6, QXA6/A, QXB1, QXB1/A, QXC2, QXC2/A, QXE1, QXE1/A, QXE4, QXE4/A, QXE5, QXE5/A, QXE7, QXE7/A, QXE8, QXE8/A, QXF, QXF/A, QXF3, QXF4, QXF4/A, QXF6, QXF6/A, QXF8, QXF8/A, QXW2, QXW2/A, QXW4, QXW4/A, QYA, QYA/A, QYF, QYF/A, QZB, QZB/A, QZB2, QZB2/A, QZB3, QZB3/A, QZD, QZE3, QZE3/A, QZE4, QZE4/A, QZF1, QZF1/A, QZF2, QZF2/A, QZX1, QZX1/A, QZX4, QZX4/A, QZX5, QZX5/A, SAE1, SAF1, SAF1/A, TXF2, TXF2/A, VAB2, VAB2/A, VAB3, VAB3/A, VAF, VAF/A, VAFP, VAFU, VAF6, VAF6/A, VDB2, VDB2/A, VDC2, VDC2/A, VEP4, VEP4/A, VXAP, VXAU, VXA1, VXA1/A, VXA4, VXA4/A, VXA5, VXA5/A, VXA6, VXA6/A, VXD4, VXD4/A, VXE1, VXE1/A, VXE2/A, VXE4, VXE4/A, VXE8/A, VXF, VXF/A, VXF4, VXF4/A, VXP2, VXP2/A, VXZ4, VXZ4/A, VYA1, VYA3, VYA3/A, VZA1
					-	-	(1)	-	-	-----	2195584	QAF5/A, QAF6/A, QKW, QKW1, QKW2, QKW3, QWD, QZD/A, SAE1/A, VAY
					-	-	-	-	(1)			
	12	L	90009-ZJ1-801	SCREW (NELSON) .....	(1)	-	(1)	-	-	-----	-----	VXE2, VXE8
					(1)	-	-	-	-	-----	-----	VZE7, VZE8
					-	-	1	-	-	-----	-----	VYE3
					-	-	1	-	-	-----	2195584	VYE3/A

NOTE A:PART NO. CHANGE D:NEWLY PROVIDED E:PART NO. DELETION K:REQUIRED NO. CORRECTION L:APPLICATION SERIAL NO. CORRECTION  
T:APPLICATION CORRECTION Z:REMARKS CHANGE

PARTS CATALOGUE NEWS

BOOKNo. : 13ZJ10E7

Block No.	Ref. No.	Note	Part No.	Description	Reqd. QTY					Serial No.	Parts catalogue code	
					GX 620	GX 620	GX 620 K1	GX 620 (3)	GX 620 K1 (2)			
					(1)	(2)	(1)	(3)	(2)			
					-	-	(1)	(1)	-	-----	-----	QAB, QAB/A, QAB6, QAB6/A, QAD2, QAD2/A, QAF, QAF/A, QAFP, QAFU, QAF1, QAF1/A, QAF2, QAF2/A, QAF5, QAF6, QAF7, QAF7/A, QAF8, QAF8/A, QAF9, QAF9/A, QAX1, QAX1/A, QDF, QDF/A, QDF6, QDF6/A, QDP2, QDP2/A, QDW, QDW/A, QWA6, QWA6/A, QWF6, QWF6/A, QXA, QXA/A, QXAP, QXAU, QXA3, QXA3/A, QXA6, QXA6/A, QXB1, QXB1/A, QXC2, QXC2/A, QXE1, QXE1/A, QXE4, QXE4/A, QXE5, QXE5/A, QXE7, QXE7/A, QXE8, QXE8/A, QXF, QXF/A, QXF3, QXF4, QXF4/A, QXF6, QXF6/A, QXF8, QXF8/A, QXW2, QXW2/A, QXW4, QXW4/A, QYA, QYA/A, QYF, QYF/A, QZB, QZB/A, QZB2, QZB2/A, QZB3, QZB3/A, QZD, QZE3, QZE3/A, QZE4, QZE4/A, QZF1, QZF1/A, QZF2, QZF2/A, QZX1, QZX1/A, QZX4, QZX4/A, QZX5, QZX5/A, SAE1, SAF1, SAF1/A, TXF2, TXF2/A, VAB2, VAB2/A, VAB3, VAB3/A, VAF, VAF/A, VAFP, VAFU, VAF6, VAF6/A, VDB2, VDB2/A, VDC2, VDC2/A, VEP4, VEP4/A, VXAP, VXAU, VXA1, VXA1/A, VXA4, VXA4/A, VXA5, VXA5/A, VXA6, VXA6/A, VXD4, VXD4/A, VXE1, VXE1/A, VXE2/A, VXE4, VXE4/A, VXE8/A, VXF, VXF/A, VXF4, VXF4/A, VXP2, VXP2/A, VXZ4, VXZ4/A, VYA1, VYA3, VYA3/A, VZA1
					-	-	(1)	-	-	-----	2195584	QAF5/A, QAF6/A, QKW, QKW1, QKW2, QKW3, QWD, QZD/A, SAE1/A, VAY
					-	-	-	-	(1)			
E-16-4	1	T	18310-ZJ1-004	MUFFLER COMP. (HIGH-R) .....	-	-	(1)	-	-	-----	-----	SAF1/B
					-	-	(1)	-	-	2195585	-----	QAF5/A, QAF6/A, QKW, QKW1, QKW2, QKW3, QWD, QZD/A, SAE1/A, SYA/A, VAY
	2	T	18321-ZJ1-000	PROTECTOR, MUFFLER (HIGH) ....	-	-	(1)	-	-	-----	-----	SAF1/B
					-	-	(1)	-	-	2195585	-----	QAF5/A, QAF6/A, QKW, QKW1, QKW2, QKW3, QWD, QZD/A, SAE1/A, SYA/A, VAY
	3	T	18338-ZJ1-000	STAY, MUFFLER (HIGH) .....	-	-	(1)	-	-	-----	-----	SAF1/B
					-	-	(1)	-	-	2195585	-----	QAF5/A, QAF6/A, QKW, QKW1, QKW2, QKW3, QWD, QZD/A, SAE1/A, SYA/A, VAY
	4	T	18355-ZJ1-000	ARRESTER, SPARK .....	-	-	(1)	-	-	-----	-----	SAF1/B
					-	-	(1)	-	-	2195585	-----	QAF5/A, QAF6/A, QKW, QKW1, QKW2, QKW3, QWD, QZD/A, SAE1/A, SYA/A, VAY
	5	T	90050-ZE1-000	SCREW, TAPPING, 5X8 .....	-	-	(1)	-	-	-----	-----	SAF1/B

NOTE A:PART NO. CHANGE D:NEWLY PROVIDED E:PART NO. DELETION K:REQUIRED NO. CORRECTION L:APPLICATION SERIAL NO. CORRECTION  
T:APPLICATION CORRECTION Z:REMARKS CHANGE

PARTS CATALOGUE NEWS

BOOKNo. : 13ZJ10E7

Block No.	Ref. No.	Note	Part No.	Description	Reqd. QTY					Serial No.	Parts catalogue code	
					GX 620	GX 620	GX 620	GX 620	GX 620			
					(1)	(2)	(1)	(3)	(2)			
					-	-	(1)	-	-	2195585	-----	QAF5/A, QAF6/A, QKW, QKW1, QKW2, QKW3, QWD, QZD/A SAE1/A, SYA/A, VAY
	6	T	95701-06008-00	BOLT, FLANGE, 6X8 .....	-	-	(6)	-	-	-----	-----	SAF1/B
					-	-	(6)	-	-	2195585	-----	QAF5/A, QAF6/A, QKW, QKW1, QKW2, QKW3, QWD, QZD/A SAE1/A, SYA/A, VAY
	7	T	95701-08014-00	BOLT, FLANGE, 8X14 .....	-	-	(4)	-	-	-----	-----	SAF1/B
					-	-	(4)	-	-	2195585	-----	QAF5/A, QAF6/A, QKW, QKW1, QKW2, QKW3, QWD, QZD/A SAE1/A, SYA/A, VAY
	8	T	95701-08020-00	BOLT, FLANGE, 8X20 .....	-	-	(4)	-	-	-----	-----	SAF1/B
					-	-	(4)	-	-	2195585	-----	QAF5/A, QAF6/A, QKW, QKW1, QKW2, QKW3, QWD, QZD/A SAE1/A, SYA/A, VAY
E-16-5	1	T	18310-ZJ1-802	MUFFLER COMP. (HIGH-L) .....	-	-	1	-	-	-----	-----	SAF1/B
					-	-	1	-	-	2195585	-----	QAF5/A, QAF6/A, SAE1/A, VYE3/A
					-	-	(1)	-	-	2195585	-----	QKW, QKW1, QKW2, QKW3, QWD, QZD/A, VAY
	2	T	18321-ZJ1-000	PROTECTOR, MUFFLER (HIGH) ....	-	-	1	-	-	-----	-----	SAF1/B
					-	-	1	-	-	2195585	-----	QAF5/A, QAF6/A, SAE1/A, VYE3/A
					-	-	(1)	-	-	2195585	-----	QKW, QKW1, QKW2, QKW3, QWD, QZD/A, VAY
	3	T	18338-ZJ1-000	STAY, MUFFLER (HIGH) .....	-	-	1	-	-	-----	-----	SAF1/B
					-	-	1	-	-	2195585	-----	QAF5/A, QAF6/A, SAE1/A, VYE3/A
					-	-	(1)	-	-	2195585	-----	QKW, QKW1, QKW2, QKW3, QWD, QZD/A, VAY
	4	T	18355-ZJ1-000	ARRESTER, SPARK .....	-	-	1	-	-	2195585	-----	VYE3/A
					-	-	(1)	-	-	-----	-----	SAF1/B
					-	-	(1)	-	-	2195585	-----	QAF5/A, QAF6/A, QKW, QKW1, QKW2, QKW3, QWD, QZD/A SAE1/A, VAY
	5	T	90050-ZE1-000	SCREW, TAPPING, 5X8 .....	-	-	1	-	-	2195585	-----	VYE3/A
					-	-	(1)	-	-	-----	-----	SAF1/B

NOTE A:PART NO. CHANGE D:NEWLY PROVIDED E:PART NO.DELETION K:REQUIRED NO. CORRECTION L:APPLICATION SERIAL NO. CORRECTION  
T:APPLICATION CORRECTION Z:REMARKS CHANGE



PARTS CATALOGUE NEWS

BOOKNo. : 13ZJ10E7

Block No.	Ref. No.	Note	Part No.	Description	Reqd. QTY					Serial No.	Parts catalogue code	
					GX 620	GX 620	GX 620 K1	GX 620	GX 620 K1			
					(1)	(2)	(1)	(3)	(2)			
					-	-	(1)	-	-	2195585	-----	QAF5/A, QAF6/A, QKW, QKW1, QKW2, QKW3, QWD, QZD/A SAE1/A, VAY
	6	T	95701-06008-00	BOLT, FLANGE, 6X8 .....	-	-	6	-	-	-----	-----	SAF1/B
					-	-	6	-	-	2195585	-----	QAF5/A, QAF6/A, SAE1/A, VYE3/A
					-	-	(6)	-	-	2195585	-----	QKW, QKW1, QKW2, QKW3, QWD, QZD/A, VAY
	7	T	95701-08014-00	BOLT, FLANGE, 8X14 .....	-	-	4	-	-	-----	-----	SAF1/B
					-	-	4	-	-	2195585	-----	QAF5/A, QAF6/A, SAE1/A, VYE3/A
					-	-	(4)	-	-	2195585	-----	QKW, QKW1, QKW2, QKW3, QWD, QZD/A, VAY
	8	T	95701-08020-00	BOLT, FLANGE, 8X20 .....	-	-	4	-	-	-----	-----	SAF1/B
					-	-	4	-	-	2195585	-----	QAF5/A, QAF6/A, SAE1/A, VYE3/A
					-	-	(4)	-	-	2195585	-----	QKW, QKW1, QKW2, QKW3, QWD, QZD/A, VAY
E-18-1	12	K	95002-02080	CLIP, TUBE (B8) .....	-	-	1	-	-	-----	-----	QAF2, QAF2/A, QDP2, QDP2/A, QXE4, QXE4/A, SAF1/B TXF2, TXF2/A
					-	-	2	-	-	-----	-----	QAB, QAB/A, QAB6, QAB6/A, QAF, QAF/A, QAF1, QAF1/A QAF5, QAF5/A, QAF6, QAF6/A, QAF7, QAF7/A, QAF8 QAF8/A, QAF9, QAF9/A, QAX1, QAX1/A, QDF, QDF/A, QDF6 QDF6/A, QDW, QDW/A, QKW, QKW1, QWA6, QWA6/A, QWF6 QWF6/A, QXA, QXA/A, QXA3, QXA3/A, QXA6, QXA6/A, QXC2 QXC2/A, QXE1, QXE1/A, QXE5, QXE5/A, QXF, QXF/A, QXF3 QXF4, QXF4/A, QXF6, QXF6/A, QYA, QYA/A, QYF, QYF/A QZB, QZB/A, QZB2, QZB2/A, QZB3, QZB3/A, QZD, QZD/A QZE3, QZE3/A, QZE4, QZE4/A, QZF1, QZF1/A, QZF2 QZF2/A, QZF8, QZF8/A, QZX1, QZX1/A, QZX4, QZX4/A QZX5, QZX5/A, SAE1, SAE1/A, SAF1, SAF1/A, VAB2 VAB2/A, VAB3, VAB3/A, VAF, VAF/A, VAF6, VAF6/A, VAY VDB2, VDB2/A, VDC2, VDC2/A, VEP4, VEP4/A, VXA1 VXA1/A, VXA4, VXA4/A, VXA5, VXA5/A, VXA6, VXA6/A VXD4, VXD4/A, VXE1, VXE1/A, VXE2, VXE2/A, VXE4 VXE4/A, VXE8, VXE8/A, VXF, VXF/A, VXF4, VXF4/A, VXP2 VXP2/A, VXZ4, VXZ4/A, VYA1, VYA3, VYA3/A, VYE3 VYE3/A, VZA1, VZE2, VZE7, VZE7/A, VZE8, VZE8/A, VZE9 VZS7, VZS8
	27	T	95002-40800-08	CLAMP, TUBE (D8) .....	-	-	1	-	-	-----	-----	SAF1/B
					-	-	2	-	-	-----	-----	QKW2, QKW3, QWD

NOTE A:PART NO. CHANGE D:NEWLY PROVIDED E:PART NO.DELETION K:REQUIRED NO. CORRECTION L:APPLICATION SERIAL NO. CORRECTION  
T:APPLICATION CORRECTION Z:REMARKS CHANGE



# PARTS CATALOGUE NEWS

Honda Motor Co., Ltd. Service Division

## PARTS CATALOGUE - CORRECTED

Printed in Japan

CODE NO.	BOOKLET TYPE	13ZJ10E7
	MICRO-FICHE	13ZJ10EG/FG
PARTS CATALOGUE NEWS	GX620 GX620K1 GX620 [PROPANE ENGINE] GX620K1 [PROPANE ENGINE]	
NEWS NO.	047	

Block No.	Ref. No.	Note	Part No.	Description	Reqd. QTY					Serial No.	Parts catalogue code
					GX 620 (1)	GX 620 (2)	GX 620 K1 (1)	GX 620 (3)	GX 620 K1 (2)		
E-16-5	5	E	90050-ZE1-000	*PARTS NO. DELETION							
		D	93901-250J0	SCREW, TAPPING, 5X8 .....	-	-	1	-	-	2195585	----- VYE3/A
					-	-	(1)	-	-	-----	----- SAF1/B
					-	-	(1)	-	-	2195585	----- QAF5/A, QAF6/A, QKW, QKW1, QKW2, QKW3, QWD, QZD/A SAE1/A, VAY

NOTE A:PART NO. CHANGE D:NEWLY PROVIDED E:PART NO.DELETION K:REQUIRED NO. CORRECTION L:APPLICATION SERIAL NO. CORRECTION  
T:APPLICATION CORRECTION Z:REMARKS CHANGE



# PARTS CATALOGUE NEWS

Honda Motor Co., Ltd. Service Division

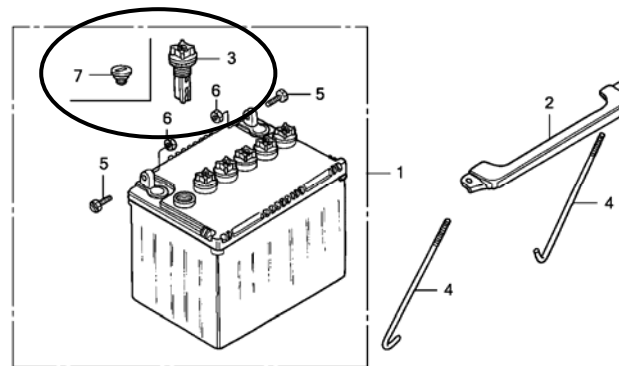
## PARTS CATALOGUE - CORRECTED

Printed in Japan

CODE NO.	BOOKLET TYPE	13ZJ10E7
	MICRO-FICHE	13ZJ10EG/FG
PARTS CATALOGUE NEWS	GX620 GX620K1 GX620 [PROPANE ENGINE] GX620K1 [PROPANE ENGINE]	
NEWS NO.	048	

Block No.	Ref. No.	Note	Part No.	Description	Reqd. QTY					Serial No.	Parts catalogue code
					GX 620	GX 620	GX 620 K1	GX 620	GX 620 K1		
					(1)	(2)	(1)	(3)	(2)		

E-23-20 BATTERY



ZJ10E2320A

E-23-20	1		31500-ZJ1-000	BATTERY ASSY. (32A19L) (YUASA)	1	-	1	-	-	-----	-----	VZE1, VZE7, VZE8
---------	---	--	---------------	--------------------------------	---	---	---	---	---	-------	-------	------------------

NOTE A:PART NO. CHANGE D:NEWLY PROVIDED E:PART NO.DELETION K:REQUIRED NO. CORRECTION L:APPLICATION SERIAL NO. CORRECTION  
 T:APPLICATION CORRECTION Z:REMARKS CHANGE

PARTS CATALOGUE NEWS

BOOKNo. : 13ZJ10E7

Block No.	Ref. No.	Note	Part No.	Description	Reqd. QTY					Serial No.	Parts catalogue code
					GX 620 (1)	GX 620 (2)	GX 620 K1 (1)	GX 620 (3)	GX 620 K1 (2)		
					-	-	1	-	-	----- 2199940	VZE2, VZE7/A, VZE8/A, VZE9, VZS7, VZS8
		A	31500-ZJ1-003	BATTERY ASSY. (34A19L-MF) (YUASA)	-	-	1	-	-	2199941 -----	VZE2, VZE7/A, VZE8/A, VZE9, VZS7, VZS8
	3	L	31542-ZJ1-000	PLUG, VENT (YUASA) .....	6	-	6	-	-	----- -----	VZE1, VZE7, VZE8
					-	-	6	-	-	----- 2199940	VZE2, VZE7/A, VZE8/A, VZE9, VZS7, VZS8
	7	D	31542-SD5-014	PLUG, VENT (MF) (28A19RT-MF) (YUASA)	-	-	6	-	-	2199941 -----	VZE2, VZE7/A, VZE8/A, VZE9, VZS7, VZS8

NOTE A:PART NO. CHANGE D:NEWLY PROVIDED E:PART NO. DELETION K:REQUIRED NO. CORRECTION L:APPLICATION SERIAL NO. CORRECTION  
T:APPLICATION CORRECTION Z:REMARKS CHANGE



## PARTS CATALOGUE NEWS

Honda Motor Co., Ltd. Service Division

February 27, 2009

CODE NO.	BOOKLET TYPE	13ZJ10E7
	MICRO- FICHE	13ZJ10EG/FG
PARTS CATALOGUE NEWS	GX620 GX620K1 GX620 [PROPANE ENGINE] GX620K1 [PROPANE ENGINE]	
NEWS NO.	049	

Printed in Japan

### **GX620K1-QAFH, VAYH, VXAH and VXEH TYPES sales parts information**

NOTE: This Parts Catalogue News explains only the parts of the different model that are produced to conform to addition of the GX620K1-QAFH, VAYH, VXAH and VXEH types.

As for the parts not listed on this Parts Catalogue News, use the parts of the GX620K1-QAF1, VAY, VXA1 and VXE4 types.

## • Models, parts catalogue codes and applicable serial numbers

Model	Type		Parts catalogue type	Applicable engine serial No.	Applicable carburetor identification No.
GX620K1	QAF1	Base type	QAF1	GCAD-2000001~2159999	BG22G A
	QAFH	Additional type	QAFH	GCAD-2160001~	BG22G C
	VAY	Base type	VAY		BG22G B / C
	VAYH	Additional type	VAYH		BG22G C
	VXA1	Base type	VXA1		GCAD-2000001~2159999
	VXAH	Additional type	VXAH	GCAD-2160001~	BG22G C
	VXE4	Base type	VXE4	GCAD-2000001~2159999	BG22G A
	VXEH	Additional type	VXEH	GCAD-2160001~	BG22G C

PARTS CATALOGUE NEWS

BOOKNo. : 13ZJ10E7

• Features of each type		Base type	Additional type	Base type	Additional type	Base type	Additional type	Base type	Additional type	
Model		GX620K1								
Specifications		Type	QAF1	QAFH	VAY	VAYH	VXA1	VXAH	VXE4	VXEH
Crankshaft	25mm Ø Straight (L=130.5)									
	25mm Ø Straight (L=133.5)									
	25.4mm Ø Straight (L=139.5)	●	●							
	25.4mm Ø Straight (L=142.5)									
	28.575mm Ø Straight (L=163.5)									
	28.575mm Ø Straight (L=166.5)									
	M10 Tapered (L=105.5)									
	M10 Tapered (L=160)									
	M10 Tapered (L=163)									
	5/16" Tapered (L=160)			●	●	●	●	●	●	●
	5/16" Tapered (L=163)									
7/16" Tapered (L=160)										
Oil alert						●	●	●	●	
Fuel tank										
Control box		●	●	●	●	●	●			
Recoil starter								●	●	
Starter motor		●	●	●	●	●	●	●	●	
Auto throttle										
Battery										
Oil cooler										
Winter kit										

## PARTS CATALOGUE NEWS

BOOKNo. : 13ZJ10E7

Block No.	Ref. No.	Part No.	Description	Reqd. QTY					Base Part No.	Parts catalogue code
				GX 620 (1)	GX 620 (2)	GX 620 K1 (1)	GX 620 (3)	GX 620 K1 (2)		
E-3-1	1	12000-ZJ1-415	BARREL ASSY., CYLINDER .....	-	-	1	-	-	12000-ZJ1-405	QAFH
		12000-ZJ1-416	.....	-	-	1	-	-	12000-ZJ1-406	VXAH, VXEH
	9	35480-ZJ1-842	SWITCH ASSY., OIL LEVEL .....	-	-	1	-	-	35480-ZJ1-841	VXAH, VXEH
	10	35490-Z6D-003	SWITCH ASSY., OIL PRESSURE ...	-	-	1	-	-	37240-ZG3-E01	QAFH
	11	90002-ZW2-F01	SCREW-WASHER, 4X8 .....	-	-	1	-	-	90002-ZG5-004	QAFH
E-6-1	1	11300-ZJ1-843	COVER ASSY., CRANKCASE .....	-	-	1	-	-	11300-ZJ1-841	QAFH, VXAH, VXEH
	4	15120-ZJ1-010	COVER ASSY., OIL PUMP (THREE BOLTS)	-	-	1	-	-	15120-ZJ1-000	QAFH, VXAH, VXEH
	31	96600-06016-00	BOLT, SOCKET, 6X16 .....	-	-	3	-	-	96600-06016-00	QAFH, VXAH, VXEH
E-8-1	1	13010-Z5H-004	RING SET, PISTON (STD.) (TEIKOKU)	-	-	2	-	-	13010-ZJ1-841	QAFH, VXAH, VXEH
		13011-Z5H-004	RING SET, PISTON (0.25) (TEIKOKU)	-	-	(2)	-	-	13011-ZJ1-841	QAFH, VXAH, VXEH
		13012-Z5H-004	RING SET, PISTON (0.50) (TEIKOKU)	-	-	(2)	-	-	13012-ZJ1-841	QAFH, VXAH, VXEH
		13013-Z5H-004	RING SET, PISTON (0.75) (TEIKOKU)	-	-	(2)	-	-	13013-ZJ1-841	QAFH, VXAH, VXEH
	2	13101-ZJ1-841	PISTON (STD.) .....	-	-	2	-	-	13101-ZJ1-840	QAFH, VXAH, VXEH
		13102-ZJ1-841	PISTON (0.25) .....	-	-	(2)	-	-	13102-ZJ1-840	QAFH, VXAH, VXEH
		13103-ZJ1-841	PISTON (0.50) .....	-	-	(2)	-	-	13103-ZJ1-840	QAFH, VXAH, VXEH
		13104-ZJ1-841	PISTON (0.75) .....	-	-	(2)	-	-	13104-ZJ1-840	QAFH, VXAH, VXEH
	7	90551-ZE1-000	CLIP, PISTON PIN, 18MM .....	-	-	4	-	-	94601-18000	QAFH, VXAH, VXEH
	E-9-1	10	14730-ZJ1-842	LIFTER ASSY., VALVE .....	-	-	1	-	-	14730-ZJ1-841
E-11	1		STARTER ASSY., RECOIL *NH1*..... BLACK	-	-	0	-	-	28400-ZE3-W01ZB	VXEH
		28400-ZE3-W01ZP	*R280*..... POWER RED	-	-	1	-	-	28400-ZE3-W01ZA	VXEH
	2		CASE COMP., RECOIL STARTER *NH1*..... BLACK	-	-	0	-	-	28410-ZE3-W01ZB	VXEH



## PARTS CATALOGUE NEWS

BOOKNo. : 13ZJ10E7

Block No.	Ref. No.	Part No.	Description	Reqd. QTY					Base Part No.	Parts catalogue code
				GX 620 (1)	GX 620 (2)	GX 620 K1 (1)	GX 620 (3)	GX 620 K1 (2)		
		28410-ZE3-W01ZP	*R280*.....POWER RED	-	-	1	-	-	28410-ZE3-W01ZA	VXEH
E-12-1	3		COVER, FAN *NH1*.....BLACK	-	-	0	-	-	19611-ZJ1-840ZA	QAFH, VXAH
	4		COVER, FAN (RECOIL STARTER) *R8*.....BRIGHT RED	-	-	0	-	-	19611-ZJ1-850ZB	VXEH
		19611-ZJ1-850ZC	*R280*.....POWER RED	-	-	1	-	-	19611-ZJ1-850ZA	VXEH
	12		COVER, RECOIL STARTER STAY *R8*.....BRIGHT RED	-	-	0	-	-	28496-ZJ1-840ZB	VXEH
		28496-ZJ1-840ZC	*R280*.....POWER RED	-	-	1	-	-	28496-ZJ1-840ZA	VXEH
	15	34150-ZJ1-843	ALERT UNIT, OIL .....	-	-	1	-	-	34150-ZJ1-842	VXAH, VXEH
E-14-2	10	16100-ZJ1-843	CARBURETOR ASSY. (BG22G C) ...	-	-	1	-	-	16100-ZJ1-841	QAFH, VXAH, VXEH
	16	16200-ZJ1-842	VALVE ASSY., SOLENOID .....	-	-	1	-	-	16200-ZJ1-841	QAFH, VXAH, VXEH
	28	99101-ZJ4-1050	JET, MAIN, #105 .....	-	-	1	-	-		
E-15-2	4	17220-Z6C-000	CASE COMP., AIR CLEANER .....	-	-	1	-	-	17220-ZJ1-840	QAFH, VXAH, VXEH
	21	90634-ZL8-H00	CAP, SEALING .....	-	-	1	-	-		QAFH, VXAH, VXEH
	22	95002-02100	CLIP, TUBE (B10) .....	-	-	1	-	-		QAFH, VXAH, VXEH
E-16	2		MUFFLER COMP. (HIGH) .....	-	-	(0)	-	-	18310-ZJ1-013	
	3		PROTECTOR, MUFFLER (HIGH) (FUTABA)	-	-	(0)	-	-	18321-ZJ1-003	
	5		STAY, MUFFLER (HIGH) .....	-	-	(0)	-	-	18338-ZJ1-841	
	6		BAND ASSY. ....	-	-	(0)	-	-	18396-ZJ1-003	
	7		BOLT, FLANGE, 6X8 .....	-	-	(0)	-	-	95701-06008-00	
	8		BOLT, FLANGE, 8X14 .....	-	-	(0)	-	-	95701-08014-00	
	9		BOLT, FLANGE, 8X20 .....	-	-	(0)	-	-	95701-08020-00	
	10		PIPE COMP., EX. (HIGH-R) .....	-	-	(0)	-	-	18330-ZJ1-841	
	11		ARRESTER, SPARK .....	-	-	(0)	-	-	18355-ZJ1-003	

## PARTS CATALOGUE NEWS

BOOKNo. : 13ZJ10E7

Block No.	Ref. No.	Part No.	Description	Reqd. QTY					Base Part No.	Parts catalogue code
				GX 620 (1)	GX 620 (2)	GX 620 K1 (1)	GX 620 (3)	GX 620 K1 (2)		
	12		SCREW (NELSON) .....	-	-	(0)	-	-	90009-ZJ1-801	
E-16-1	2		MUFFLER COMP. (HIGH) .....	-	-	(0)	-	-	18310-ZJ1-013	QAFH, VXA, VXE
	3		PROTECTOR, MUFFLER (HIGH) (FUTABA) .....	-	-	(0)	-	-	18321-ZJ1-003	QAFH, VXA, VXE
	5		STAY, MUFFLER (HIGH) .....	-	-	(0)	-	-	18338-ZJ1-841	QAFH, VXA, VXE
	6		BAND ASSY. ....	-	-	(0)	-	-	18396-ZJ1-003	QAFH, VXA, VXE
	7		BOLT, FLANGE, 6X8 .....	-	-	(0)	-	-	95701-06008-00	QAFH, VXA, VXE
	8		BOLT, FLANGE, 8X14 .....	-	-	(0)	-	-	95701-08014-00	QAFH, VXA, VXE
	9		BOLT, FLANGE, 8X20 .....	-	-	(0)	-	-	95701-08020-00	QAFH, VXA, VXE
	10		PIPE COMP., EX. (HIGH-L) .....	-	-	(0)	-	-	18330-ZJ1-851	QAFH, VXA, VXE
	11		ARRESTER, SPARK .....	-	-	(0)	-	-	18355-ZJ1-003	QAFH, VXA, VXE
	12		SCREW (NELSON) .....	-	-	(0)	-	-	90009-ZJ1-801	QAFH, VXA, VXE
E-16-2	2	18310-ZJ1-801	MUFFLER COMP. (SIDE-L) (FUTABA) (SILVER MUFFLER) .....	-	-	(1)	-	-		QAFH, VXE
	3	18321-ZJ1-841	PROTECTOR, MUFFLER (SIDE-L) ..	-	-	(1)	-	-		QAFH, VXE
	4	18325-ZJ1-801	PROTECTOR, RR. MUFFLER (SIDE-L) .....	-	-	(1)	-	-		QAFH, VXE
	6	18338-ZJ1-851	STAY, MUFFLER (SIDE-L) .....	-	-	(1)	-	-		QAFH, VXE
	7	18396-ZJ1-003	BAND ASSY. ....	-	-	(1)	-	-		QAFH, VXE
	8	95701-06008-00	BOLT, FLANGE, 6X8 .....	-	-	(4)	-	-		QAFH, VXE
	9	95701-06008-00	BOLT, FLANGE, 6X8 .....	-	-	(3)	-	-		QAFH, VXE
	10	95701-08014-00	BOLT, FLANGE, 8X14 .....	-	-	(2)	-	-		QAFH, VXE
	11	95701-06050-00	BOLT, FLANGE, 6X50 .....	-	-	(1)	-	-		QAFH, VXE
	12	18330-ZJ1-861	PIPE COMP., EX. (SIDE-L) .....	-	-	(1)	-	-		QAFH, VXE
	13	18355-ZJ1-801	ARRESTER, SPARK .....	-	-	(1)	-	-		QAFH, VXE
	15	90009-ZJ1-801	SCREW (NELSON) .....	-	-	(4)	-	-		QAFH, VXE

## PARTS CATALOGUE NEWS

BOOKNo. : 13ZJ10E7

Block No.	Ref. No.	Part No.	Description	Reqd. QTY					Base Part No.	Parts catalogue code
				GX 620 (1)	GX 620 (2)	GX 620 K1 (1)	GX 620 (3)	GX 620 K1 (2)		
	17	95701-08050-00	BOLT, FLANGE, 8X50 .....	-	-	(1)	-	-	QAFH, VXEH	
E-16-4	1	18310-ZJ1-004	MUFFLER COMP. (HIGH-R) (FUTABA) (SILVER MUFFLER)	-	-	(1)	-	-		
	2	18321-ZJ1-000	PROTECTOR, MUFFLER (HIGH) (FUTABA)	-	-	(1)	-	-		
	3	18338-ZJ1-000	STAY, MUFFLER (HIGH) .....	-	-	(1)	-	-		
	4	18355-ZJ1-000	ARRESTER, SPARK .....	-	-	(1)	-	-		
	5	93901-250J0	SCREW, TAPPING, 5X8 .....	-	-	(1)	-	-		
	6	95701-06008-00	BOLT, FLANGE, 6X8 .....	-	-	(6)	-	-		
	7	95701-08014-00	BOLT, FLANGE, 8X14 .....	-	-	(4)	-	-		
	8	95701-08020-00	BOLT, FLANGE, 8X20 .....	-	-	(4)	-	-		
E-16-5	1	18310-ZJ1-802	MUFFLER COMP. (HIGH-L) (FUTABA) (SILVER MUFFLER)	-	-	(1)	-	-	QAFH, VXAH, VXEH	
	2	18321-ZJ1-000	PROTECTOR, MUFFLER (HIGH) (FUTABA)	-	-	(1)	-	-	QAFH, VXAH, VXEH	
	3	18338-ZJ1-000	STAY, MUFFLER (HIGH) .....	-	-	(1)	-	-	QAFH, VXAH, VXEH	
	4	18355-ZJ1-000	ARRESTER, SPARK .....	-	-	(1)	-	-	QAFH, VXAH, VXEH	
	5	93901-250J0	SCREW, TAPPING, 5X8 .....	-	-	(1)	-	-	QAFH, VXAH, VXEH	
	6	95701-06008-00	BOLT, FLANGE, 6X8 .....	-	-	(6)	-	-	QAFH, VXAH, VXEH	
	7	95701-08014-00	BOLT, FLANGE, 8X14 .....	-	-	(4)	-	-	QAFH, VXAH, VXEH	
	8	95701-08020-00	BOLT, FLANGE, 8X20 .....	-	-	(4)	-	-	QAFH, VXAH, VXEH	
E-18-1	14	95002-02080	CLIP, TUBE (B8) .....	-	-	1	-	-	95002-50000 QAFH, VXAH, VXEH	
	26	95003-25015-20	TUBE, VINYL, 9X11X150 (95003-25001-10M)	-	-	1	-	-		
E-20	1	30500-ZJ1-845	COIL ASSY., IGNITION .....	-	-	1	-	-	30500-ZJ1-844 QAFH, VXAH, VXEH	
	5	31630-ZJ1-013	COIL ASSY., CHARGE (12V/3A) ..	-	-	1	-	-	31630-ZJ1-003 VXAH, VXEH	
	6	31630-ZJ1-802	COIL ASSY., CHARGE (12V/20A) .	-	-	1	-	-	31630-ZJ1-801 QAFH	

## PARTS CATALOGUE NEWS

BOOKNo. : 13ZJ10E7

Block No.	Ref. No.	Part No.	Description	Reqd. QTY					Base Part No.	Parts catalogue code
				GX 620 (1)	GX 620 (2)	GX 620 K1 (1)	GX 620 (3)	GX 620 K1 (2)		
	7	31740-ZJ1-852	DIODE ASSY., ENGINE STOP .....	-	-	1	-	-	31740-ZJ1-851	VXEH
		31740-ZJ1-862	.....	-	-	1	-	-	31740-ZJ1-861	QAFH, VXAH
	13	32171-GJ1-003	CLIP, WIRE HARNESS .....	-	-	1	-	-		QAFH, VAYH, VXAH
	14		CLIP, WIRE HARNESS (BLACK) ...	-	-	0	-	-	91504-750-003	VAYH
	20	30550-ZJ1-845	COIL ASSY., IGNITION .....	-	-	1	-	-	30550-ZJ1-844	QAFH, VXAH, VXEH
E-21-1	3	31200-ZJ1-842	MOTOR ASSY., STARTER .....	-	-	1	-	-	31200-ZJ1-841	QAFH, VXAH, VXEH
	5	31204-ZJ1-H02	SWITCH ASSY., MAGNET .....	-	-	1	-	-	31204-ZJ1-H01	QAFH, VXAH, VXEH
	17	31234-ZJ1-H02	COVER, TERMINAL .....	-	-	1	-	-	31234-ZJ1-H01	QAFH, VXAH, VXEH
E-22-3	2	16500-ZJ1-851	CONTROL ASSY. ....	-	-	1	-	-	16500-ZJ1-850	QAFH, VXAH, VXEH
	8	16570-ZJ1-851	ARM COMP., CONTROL .....	-	-	1	-	-	16570-ZJ1-850	QAFH, VXAH, VXEH
E-23	3	31620-ZG5-033	RECTIFIER ASSY., REGULATOR (20A)	-	-	1	-	-	31620-ZG5-013	QAFH
	4	31710-ZJ1-812	RECTIFIER ASSY. (10A) .....	-	-	1	-	-	31710-ZJ1-811	VXAH, VXEH
	7	32340-Z6D-832	BOX ASSY., CONTROL .....	-	-	1	-	-	32340-ZJ1-842	QAFH, VXAH
	11	35100-ZJ1-842	SWITCH ASSY., COMBINATION ....	-	-	1	-	-	35100-ZJ1-841	QAFH, VAYH, VXAH
	14	87529-Z4S-820	MARK, CONTROL BOX (EXP) .....	-	-	1	-	-	87529-ZE2-861	QAFH, VXAH
	19		NUT, HEX., 4MM .....	-	-	0	-	-	94001-04080-0S	QAFH, VXAH
		94001-04390-0S	.....	-	-	1	-	-		QAFH, VXAH
E-28-1	1	87101-ZJ1-842	MARK, EMBLEM (GX620) .....	-	-	1	-	-	87101-ZJ1-841	QAFH, VXAH, VXEH
	4		LABEL, SPECIFICATION (GX620) .	-	-	0	-	-	87152-ZJ1-010	QAFH, VXAH, VXEH
	5		MARK, OPERATOR CAUTION .....	-	-	0	-	-	87516-YF3-660	VXEH
	7		MARK, OIL ALERT (ENGLISH) ....	-	-	0	-	-	87532-ZH8-810	VXAH
	8	87532-ZH7-800	MARK, THROTTLE INDICATION ....	-	-	1	-	-	87532-ZJ1-840	QAFH, VXAH, VXEH
	29	87114-ZH7-000	LABEL, WARNING (NOT CERTIFIED FOR SALE)	-	-	1	-	-		QAFH, VXAH, VXEH

PARTS CATALOGUE NEWS

BOOKNo. : 13ZJ10E7

Block No.	Ref. No.	Part No.	Description	Reqd. QTY					Base Part No.	Parts catalogue code
				GX 620 (1)	GX 620 (2)	GX 620 K1 (1)	GX 620 (3)	GX 620 K1 (2)		
	33	87516-ZK6-000	MARK, OPERATOR CAUTION .....	-	-	1	-	-		



# PARTS CATALOGUE NEWS

Honda Motor Co., Ltd. Service Division

## PARTS CATALOGUE - CORRECTED

Printed in Japan

CODE NO.	BOOKLET TYPE	13ZJ10E7
	MICRO- FICHE	13ZJ10EG/FG
PARTS CATALOGUE NEWS	GX620 GX620K1 GX620 [PROPANE ENGINE] GX620K1 [PROPANE ENGINE]	
NEWS NO.	050	

Block No.	Ref. No.	Note	Part No.	Description	Reqd. QTY					Serial No.	Parts catalogue code
					GX 620 (1)	GX 620 (2)	GX 620 K1 (1)	GX 620 (3)	GX 620 K1 (2)		
E-18-1	29		16855-Z6C-841	TUBE COMP. B, FUEL (FKM) .....	-	-	1	-	-	----- 2201851	QWD
		A	16855-Z6C-842	.....	-	-	1	-	-	2201852 -----	QWD

NOTE A:PART NO. CHANGE D:NEWLY PROVIDED E:PART NO. DELETION K:REQUIRED NO. CORRECTION L:APPLICATION SERIAL NO. CORRECTION  
T:APPLICATION CORRECTION Z:REMARKS CHANGE



# PARTS CATALOGUE NEWS

Honda Motor Co., Ltd. Service Division

## PARTS CATALOGUE - CORRECTED

Printed in Japan

CODE NO.	BOOKLET TYPE	13ZJ10E7
	MICRO- FICHE	13ZJ10EG/FG
PARTS CATALOGUE NEWS	GX620 GX620K1 GX620 [PROPANE ENGINE] GX620K1 [PROPANE ENGINE]	
NEWS NO.	051	

Block No.	Ref. No.	Note	Part No.	Description	Reqd. QTY					Serial No.	Parts catalogue code
					GX 620 (1)	GX 620 (2)	GX 620 K1 (1)	GX 620 (3)	GX 620 K1 (2)		
E-18-1	12	K	95002-02080	CLIP, TUBE (B8) .....	-	-	1	-	-	-----	QAF2, QAF2/A, QDP2, QDP2/A, QXE4, QXE4/A, TXF2, TXF2/A
					-	-	2	-	-	-----	QAB, QAB/A, QAB6, QAB6/A, QAF, QAF/A, QAFH, QAF1 QAF1/A, QAF5, QAF5/A, QAF6, QAF6/A, QAF7, QAF7/A QAF8, QAF8/A, QAF9, QAF9/A, QAX1, QAX1/A, QDF, QDF/A QDF6, QDF6/A, QDW, QDW/A, QKW, QKW1, QWA6, QWA6/A QWF6, QWF6/A, QXA, QXA/A, QXA3, QXA3/A, QXA6, QXA6/A QXC2, QXC2/A, QXE1, QXE1/A, QXE5, QXE5/A, QXF, QXF/A QXF3, QXF4, QXF4/A, QXF6, QXF6/A, QYA, QYA/A, QYF QYF/A, QZB, QZB/A, QZB2, QZB2/A, QZB3, QZB3/A, QZD QZD/A, QZE3, QZE3/A, QZE4, QZE4/A, QZF1, QZF1/A, QZF2 QZF2/A, QZF8, QZF8/A, QZX1, QZX1/A, QZX4, QZX4/A QZX5, QZX5/A, SAE1, SAE1/A, SAF1, SAF1/A, SAF1/B VAB2, VAB2/A, VAB3, VAB3/A, VAF, VAF/A, VAF6, VAF6/A VAY, VAYH, VDB2, VDB2/A, VDC2, VDC2/A, VEP4, VEP4/A VXAH, VXA1, VXA1/A, VXA4, VXA4/A, VXA5, VXA5/A, VXA6 VXA6/A, VXD4, VXD4/A, VXEH, VXEH/A, VXE1, VXE1/A, VXE2 VXE2/A, VXE4, VXE4/A, VXE8, VXE8/A, VXF, VXF/A, VXF4 VXF4/A, VXP2, VXP2/A, VXZ4, VXZ4/A, VYA1, VYA1 VYA3/A, VYE3, VYE3/A, VZA1, VZE2, VZE2, VZE7, VZE7/A, VZE8 VZE8/A, VZE9, VZS7, VZS8
	27	T	95002-40800-08	CLAMP, TUBE (D8) .....	-	-	2	-	-	-----	QKW2, QKW3, QWD

NOTE A:PART NO. CHANGE D:NEWLY PROVIDED E:PART NO. DELETION K:REQUIRED NO. CORRECTION L:APPLICATION SERIAL NO. CORRECTION  
 T:APPLICATION CORRECTION Z:REMARKS CHANGE