

GENERAL PURPOSE ENGINE

GX160K1
(GCAAK-100)

PARTS CATALOGUE

1



GX160K1

FOREWORD INDEX

1

ENGINE GROUP

2

PART NUMBER INDEX

3

PART NAME INDEX

4

Instruction for use of parts catalogue

- **This parts catalogue was prepared based on the latest information available as of June 10, 2004.**
- See the parts catalogue news for any revision that is made after June 10, 2004.
- **Always specify the part number when ordering a part.**
 - Check the model, type, serial numbers, color, maker, and the size as needed before ordering a part.
 - Note that the illustrations (part drawings) can differ from the actual parts in shape. They are given just to help you to refer to the parts.
- **When modifications or additions to this parts catalogue are made, a revised edition will be issued at an appropriate time, with successively progressing revision numbers on the cover. We recommend obtaining such revisions in order to keep your parts catalogue up-to-date at all times. To check whether a parts catalogue revision has been issued, please contact your Honda distributor.**

Initial version issue date **June 10, 2004**
Honda Motor Co., Ltd.

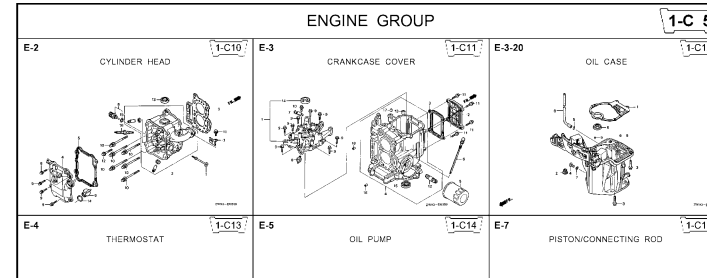
CONTENTS

	Page	Address No.	
● How to refer to the part information	2	B 2	1
● Part catalogue structure	3	B 3	
● When the parts were revised	4	B 4	
● Abbreviations used in the parts catalogue.....	4	B 4	
● How to check the part block and serial numbers.....	5	B 5	
● Models, parts catalogue codes and applicable serial numbers	6	B 6	
● Features of each type.....	13	B13	
● Fuel hose, general purpose hoses and vinyl hose.....	26	C10	
● How to use the flat rate time (F.R.T.)	27	C11	
● Illustrated index	29	C13	
● ENGINE GROUP.....	36	E 1	2
● PART NO. INDEX.....	183	2-B 1	3
● PART NAME INDEX.....	189	2-C 1	4



How to refer to the part information

A Reference with "Illustrated index"



B Reference with "Part number index"

PART NO. INDEX

Part Number	Address	Page	Ref.	Part Number	Address	Page
06000				15212-ZW9-000	1-C14	3C
06316-ZW9-000	1-G9	88	1	15220-ZW9-003	1-C14	3C
11000				15332-ZW9-000	1-E8	55
11300-ZW9-405	1-C11	27	1	15332-ZW9-A30	1-E11	5E
11300-ZW9-406	1-C11	27	1	15400-PFB-004	1-C11	27
11340-ZW9-000	1-C11	27	2	15422-ZW9-000	1-C14	3C
11342-ZW9-000	1-C11	27	3	15473-881-000	1-C14	3C
11381-ZW9-003	1-C12	28	1	15474-ZW9-000	1-C14	3C
				15611-921-000	1-C10	2E
				15655-ZW9-000	1-C11	27
				16000		
12000				16010-ZV4-005	1-D4	3E
12000-ZW9-405ZA	1-C11	27	4	16011-ZV4-005	1-D4	3E
12155-ZV4-A00	1-C13	29	1	16013-ZW9-003	1-D4	3E
12166-ZW9-000	1-C10	26	1	16016-ZW9-003	1-D4	3E
12209-GB4-681	1-C16	32	1	16016-ZW9-721	1-D4	3E
12210-ZW9-405ZA	1-C10	26	2	16023-ZW9-003	1-D4	3E
12216-ZE2-300	1-E8	55	1	16024-ZV4-650	1-D4	3E
	1-E11	58	1	16028-ZV4-650	1-D4	3E

C Reference with "Part name index"

PART NAME INDEX

Part name	Address	Page	Ref.
[A]			
ABSORBER , FUEL	1-E15	62	5
ARMATURE COMP.	1-D11	43	7
ARM COMP. , LINK JOINT	1-G6	85	18
ARM COMP. , SHIFT LINK	1-G6	85	14
ARM COMP. , TILT	1-F15	79	20
ARM , FUEL PUMP ROCKER	1-C16	32	4
ARM , REVERSE LOCK	1-F15	79	18
ARM , SHIFT LINK	1-F11	74	7
ARM , STOPPER	1-D1	33	12
ARM , THROTTLE REMOTE	1-F11	74	6
ARM , VALVE ROCKER	1-C16	32	3
[B]			
BAG , TOOL , 160MM	1-G5	84	10
BAND	1-G6	86	37
BAND B1 , WIRE	1-F6	69	1
BAND , CORD	1-F3	67	18
BAND , TUBE CLIP , 11MM	1-E15	63	20
BAND , TUBE CLIP , 12.5MM	1-E15	63	19

Address No. 1-C10

E-2 CYLINDER HEAD

Block No.

Ref No.

Ref. No.	Part No.	Description	Reqd. QTY						Serial No.	Parts catalogue code
			BF 9901	BFP 9901	BF 1001	BFP 1001	BF 10B1	BFP 10B1		
1	12166-ZW9-000	STOPPER, ENGINE SIDE	2	2	2	2	2			
2	12210-ZW9-000ZA	HEAD COMP., CYLINDER	1	1	1	1	1			
3	12251-ZW9-003	GASKET, CYLINDER HEAD	1	1	1	1	1			
4	12310-ZW9-000	COVER COMP., HEAD	1	1	1	1	1			
5	12312-ZW9-000	PACKINGS, HEAD COVER	1	1	1	1	1			
6	15611-921-000	CAP, OIL (NO GAUGE)	1	1	1	1	1			
7	16617-ZW9-000	HOLDER, CABLE	1	1	1	1	1	SC,SG		
	16617-ZW9-010		1	1	1	1	1	1001800	LHC,LHD	
			1	1	1	1	1	1001801	LHC,LHD	
8	35673-ZW5-003	SENSOR ASSY., WATER	1	1	1	1	1			
9	90003-ZW9-000	BOLT, FLANGE, 6X22	4	4	4	4	4			
10	90007-ZW9-003	BOLT, FLANGE, 8X83	6	6	6	6	6			
11	90011-ZW9-000	BOLT, FLANGE, 6X14(CT200)	1	1	1	1	1			
12	90020-ZW9-000	BOLT, FLANGE, 8X40	2	2	2	2	2			
13	91002-K19-003	OIL SEAL, 20X32X6	1	1	1	1	1			
14	91301-805-000	O-RING, 26X2.7	1	1	1	1	1			
15	91307-PK2-005	O-RING, 9.5X1.5(HONDA KIKAKI)	1	1	1	1	1			
16	98059-55916	PLUG, SPARK (CR5EH-9)	2	2	2	2	2			
	98059-55926	PLUG, SPARK (U16FER9)	2	2	2	2	2			

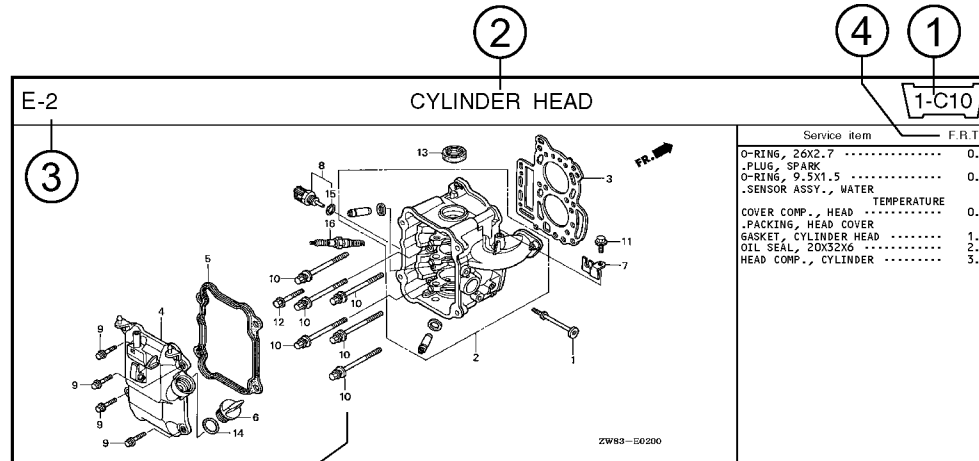
Service item F.R.T.

- O-RING, 26X2.7 0.1
- PLUG, SPARK 0.2
- O-RING, 9.5X1.5 0.2
- SENSOR ASSY., WATER 0.3
- COVER COMP., HEAD 0.3
- PACKING, HEAD COVER 1.8
- GASKET, CYLINDER HEAD 2.4
- OIL SEAL, 20X32X6 2.4
- HEAD COMP., CYLINDER 3.1

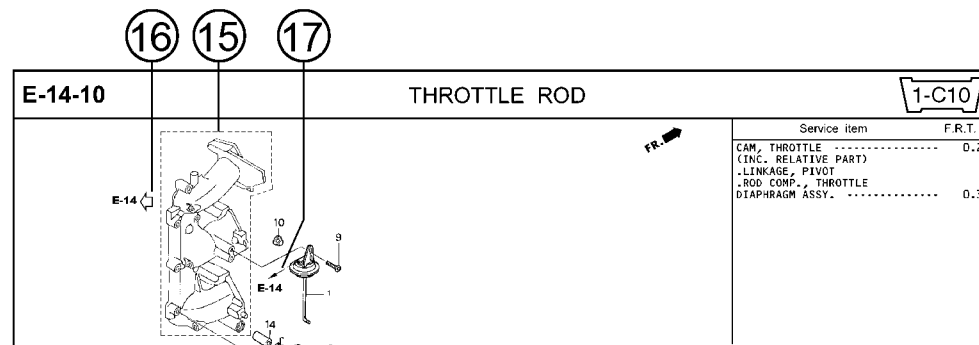
ZW83-ED200

Page No. 2000.09.20 E

Part catalogue structure



Ref. No.	Part No.	Description	Reqd. QTY						Serial No.	Parts catalogue code
			BF 9/9D1	BFP 9/9D1	BF 10D1	BFP 10D1	BF 10B1	BFP 10B1		
1	12166-zw9-000	STOPPER, ENGINE SIDE	2	2	2	2	2			
2	12210-zw9-000ZA	HEAD COMP., CYLINDER *NHS* DARK GRAY	1	1	1	1	1			
3	12251-zw9-003	GASKET, CYLINDER HEAD	1	1	1	1	1			
4	12310-zw9-000	COVER COMP., HEAD	1	1	1	1	1			
5	12312-zw9-000	PACKING, HEAD COVER	1	1	1	1	1			
6	15611-921-000	CAP, OIL (NO GAUGE)	1	1	1	1	1			
7	16617-zw9-000	HOLDER, CABLE	1	1	1	1	1	SC,S6		
	16617-zw9-010		1	1	1	1	1	1001800 LHC,LHD		



① Address number

- Address No. is provided (in place of the page No.) to help you refer to the part with the part No. or part name.

② Block title ③ Block number

④ Service item/Flat rate time

⑤ Reference number

- Title number marked with the parenthesis or parentheses indicates that it continues from the previous page.

⑥ Part number ⑦ Honda color code

⑧ Description

⑨ Assemblies

- Sections framed with broken lines in the exploded view drawings are available as complete assemblies. (Their individual parts can also be obtained.)

⑩ Color description

⑪ Note

- Notes are shown with the parentheses in the part name column.

⑫ Required quantity

- Required QTY shown in the parenthesis or parentheses indicates the optional part.
- Required QTY marked with "N" Indicates the optional part that should be selected as needed.
- Required QTY indicates the number of the part used in the block.

⑬ Serial number

⑭ Type

- When the type column is blank, it indicates that the part is applicable to all types.
- As the type of the actual unit may differ from the "parts catalogue, type" please refer to "Models, types and applicable serial numbers" for confirmation.

⑮

- Parts enclosed within a dotted line are covered in a different block.

⑯

- A hollow arrow indicates the block No. for the parts enclosed within a dotted line .

⑰

- A solid arrow indicates the block No. the part in question is connected to.

When the parts were revised

Abbreviations used in the parts catalogue

1



Be sure to check the serial number!!



Ref. No.	Part No.	Description	Reqd. QTY						Serial No.
			BF 99D1	BFP 9.9D1	BF 10D1	BFP 10D1	BF 10B1	BFP 10B1	
1	12166-ZW9-000	STOPPER, ENGINE SIDE	2	2	2	2	2	2	
2	12210-ZW9-000ZA	HEAD COMP., CYLINDER *NH8* DARK GRAY	1	1	1	1	1	1	
3	12251-ZW9-003	GASKET, CYLINDER HEAD	1	1	1	1	1	1	
4	12310-ZW9-000	COVER COMP., HEAD	1	1	1	1	1	1	
5	12312-ZW9-000	PACKING, HEAD COVER	1	1	1	1	1	1	
6	15611-921-000	CAP, OIL (NO GAUGE)	1	1	1	1	1	1	
7	16617-ZW9-000	HOLDER, CABLE (###)	1	1	1	1	1	1	
	16617-ZW9-010	1	1	1	1	1	1	



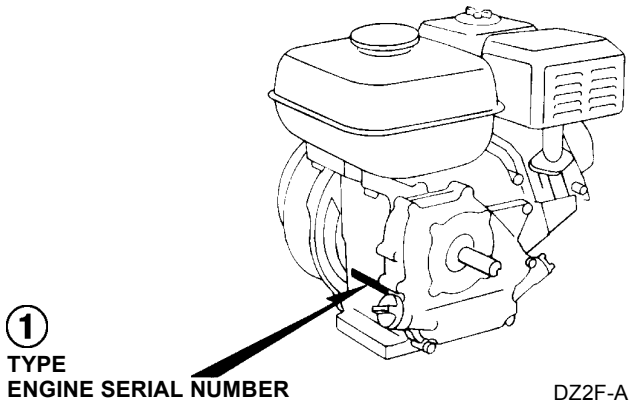
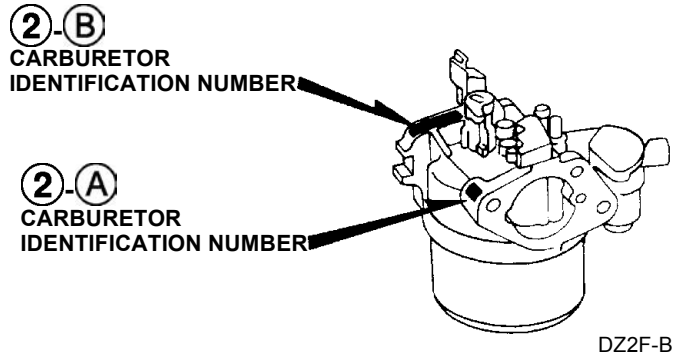
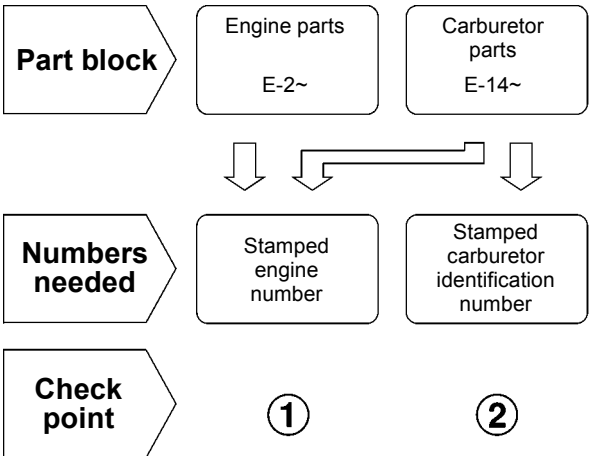
The number has been used from the initial model without revision. When shown at the left side, it is applicable to the models of No.1001801 and the subsequent numbers. When shown at the right side, it is applicable to the models up to No.1001800.

• The parts listed with "###" at the end of the parts name have limited supply period (parts not for sale).

• The following abbreviations are used in the parts name column.

- A Ampere
- A.C. Alternating current
- ASSY. Assembly
- AT. Automatic transmission
- C.D.I. Capacitive discharge ignition
- COMP. ... Complete
- D.C. Direct current
- EX. Exhaust
- G.F.C.I ... Ground fault circuit interruptor
- HEX. Hexagonal
- H.S.T. Hydrostatic transmission
- FR.Front
- IN.Inlet
- L (100L) .Link (100 Links)
- L.Left
- MMMillimeter
- MT.Manual Transmission
- P.T.O.Power take off
- R.Right
- RR.Rear
- STD.Standard
- T (22T) ...Tooth (22 Teeth)
- V Volt
- WWatt

How to check the part block and serial numbers



Models, parts catalogue codes and applicable serial numbers

• Models, parts catalogue codes and applicable serial Nos. given in this parts catalogue can be identified as follows.

Model	Type	Parts catalogue type	Applicable engine serial No.	Applicable carburetor identification No.	Model	Type	Parts catalogue type	Applicable engine serial No.	Applicable carburetor identification No.
GX160K1 (1)	AR	AR	GCAAK- 1000001~	BE67C A	GX160K1 (1)	LD	LD	GCAAK- 1000001~	BE66E B
	ARC6	ARC6		BE65M A		LH	LH		BE65B B
	BL	BL		BE67A B		LHB3	LHB3		
	EMA2	EMA2		BE65B B		LHQ4	LHQ4		
	HG12	HG12				LJ	LJ		BE65C B
	HH	HH				LJC7	LJC7		
	HHQ4	HHQ4				LJG	LJG		
	HH26	HH26				LJS	LJS		BE06J C
	HX	HX				LSJ4	LSJ4		BE66E B
	HXE2	HXE2				LVL	LVL		BE65M A
	HXE8	HXE8				LW2	LW2		BE06H C
	HXU	HXU				LX	LX		BE65B B
	HX2	HX2				LXU	LXU		
	HX26	HX26		LX2		LX2			
	HX4	HX4		LX26		LX26			
	KR	KR		LX4		LX4	BE65C B		
	KTA	KTA		NJ		NJ			
LA1	LA1	NJC1	NJC1	BE51B B					
			BE67C A						
			BE65B B						
			BE06J C						

Model	Type	Parts catalogue type	Applicable engine serial No.	Applicable carburetor identification No.
GX160K1 (1)	NJG	NJG	GCAAK- 1000001~	BE65C B
	NSJ	NSJ		
	PHM	PHM		
	PX	PX		BE65B B
	PXU	PXU		
	QAB3	QAB3		BE65C B
	QAX2	QAX2		BE65B B
	QA2	QA2		BE65C B
	QA26	QA26		
	QBC2	QBC2		
	QBT6	QBT6		BE65B B
	QCB2	QCB2		
	QCL	QCL		
	QD	QD		BE66E B
	QE	QE		BE66D B
	QFE4	QFE4		
	QGR2	QGR2		
QGR9	QGR9	BE65B B		

Model	Type	Parts catalogue type	Applicable engine serial No.	Applicable carburetor identification No.	
GX160K1 (1)	QH	QH	GCAAK- 1000001~	BE65B B	
	QHE	QHE			
	QHP1	QHP1			
	QHQ4	QHQ4			
	QH2	QH2			
	QH26	QH26			
	QI2	QI2			
	QKA4	QKA4			
	QMC6	QMC6			BE66E B
	QMC8	QMC8			
	QMD6	QMD6		BE65B B	
	QME4	QME4			
	QMH	QMH			
	QMX2	QMX2			
	QMZ2	QMZ2			
	QNT	QNT			
	QNT4	QNT4			BE11C C
QNZ	QNZ	BE06H C			

Model	Type	Parts catalogue type	Applicable engine serial No.	Applicable carburetor identification No.
GX160K1 (1)	QP	QP	GCAAK- 1000001~	BE65B B
	QPU	QPU		
	QSC2	QSC2		BE65G B
	QSC9	QSC9		
	QS2	QS2		BE65B B
	QT	QT		BE06J C
	QVL	QVL		BE65M A
	QWA4	QWA4		BE65B B
	QWX2	QWX2		
	QX	QX		BE65G B
	QXC	QXC		
	QXC6	QXC6		BE65B B
	QXC9	QXC9		
	QXE	QXE		
	QXE2	QXE2		
	QXE4	QXE4		
QXE6	QXE6			
QXE8	QXE8			

Model	Type	Parts catalogue type	Applicable engine serial No.	Applicable carburetor identification No.	
GX160K1 (1)	QXF2	QXF2	GCAAK- 1000001~	BE65B B	
	QXM1	QXM1		BE06J C	
	QXS2	QXS2		BE65B B	
	QXU	QXU			
	QXW	QXW			
	QX2	QX2			
	QX22	QX22			
	QX26	QX26			
	QX4	QX4			
	QX7	QX7			
	RD	RD			BE66E B
	RD4	RD4			BE65B B
	RH	RH			
	RHA2	RHA2			
	RHQ4	RHQ4			
	RH2	RH2			
	RH26	RH26			
	RMB4	RMB4			

Model	Type	Parts catalogue type	Applicable engine serial No.	Applicable carburetor identification No.
GX160K1 (1)	RMD	RMD	GCAAK- 1000001~	BE06J C
	RMG2	RMG2		BE65B B
	RSK	RSK		BE65C B
	RSS1	RSS1		BE65B B
	RTB2	RTB2		
	RX	RX		
	RXE	RXE		
	RXE2	RXE2		BE65C B
	RXE4	RXE4		
	RXU	RXU		BE66E B
	RX4	RX4		
	SCJ	SCJ		BE66D B
	SD	SD		BE65B B
	SDS	SDS		
	SD16	SD16		
	SD4	SD4		
SE	SE			
SG24	SG24			

Model	Type	Parts catalogue type	Applicable engine serial No.	Applicable carburetor identification No.
GX160K1 (1)	SH	SH	GCAAK- 1000001~	BE65B B
	SHM	SHM		
	SHQ4	SHQ4		
	SHRY	SHRY		BE65C B
	SJ	SJ		
	SJC1	SJC1		
	SJC5	SJC5		
	SJG	SJG		BE07C B
	SKM	SKM		BE65B B
	SMC7	SMC7		
	SMC9	SMC9		BE06J C
	SMJ	SMJ		BE65B B
	SMJ1	SMJ1		
	SMW2	SMW2		BE06J C
	SMX4	SMX4		BE65B B
	SM11	SM11		
SM12	SM12			
SM14	SM14			

1

Model	Type	Parts catalogue type	Applicable engine serial No.	Applicable carburetor identification No.	Model	Type	Parts catalogue type	Applicable engine serial No.	Applicable carburetor identification No.
GX160K1 (1)	SNX	SNX	GCAAK- 1000001~	BE06J C	GX160K1 (1)	TCS2	TCS2	GCAAK- 1000001~	BE65B B
	SNX1	SNX1		BE65B B		TX	TX		BE65G B
	SSK1	SSK1		BE06R B		TXC9	TXC9		BE65B B
	SSX2	SSX2		BE65B B		TXU	TXU		
	ST	ST				TX2	TX2		
	STM	STM				TX26	TX26		
	STQ	STQ				TX4	TX4		BE66D B
	SWG4	SWG4		UXU		UXU			
	SWX2	SWX2		VA2		VA2			
	SWX4	SWX4		VEBM		VEBM			
	SX	SX		VED		VED	BE65C B		
	SXE	SXE		VED1		VED1			
	SXE4	SXE4		VED2		VED2	BE67A B		
	SXS4	SXS4		VED3		VED3	BE65C B		
	SXU	SXU		VED5		VED5			
	SX4	SX4		VED6		VED6	BE67A B		
SX7	SX7	VEN2	VEN2	BE65C B					
S1CY	S1CY	VES	VES						

Model	Type	Parts catalogue type	Applicable engine serial No.	Applicable carburetor identification No.	Model	Type	Parts catalogue type	Applicable engine serial No.	Applicable carburetor identification No.
GX160K1 (1)	VGE4	VGE4	GCAAK- 1000001~	BE65B B	GX160K1 (1)	VSX1	VSX1	GCAAK- 1000001~	BE06J C
	VG24	VG24		BE66D B		VSX3	VSX3		BE65B B
	VHA7	VHA7		BE65B B		VS17	VS17		BE67A B
	VHH4	VHH4				VS3	VS3		
	VMS4	VMS4				VS4	VS4		
	VMS7	VMS7				VTH4	VTH4		
	VMT	VMT		BE67A B		VTU1	VTU1		BE06J C
	VPM4	VPM4				VWA2	VWA2		BE65B B
	VPM5	VPM5				VW12	VW12		
	VPM7	VPM7				VX	VX		BE65C B
	VPR4	VPR4		BE65B B		VXD	VXD		BE65B B
	VPR7	VPR7				VXD1	VXD1		
	VSB1	VSB1				VXE4	VXE4		
	VSD	VSD		BE65B B		VXE7	VXE7		BE06J C
	VSD1	VSD1		BE67A B		VXM	VXM		
	VSD7	VSD7		BE65B B		VXU	VXU		BE65B B
	VSG	VSG		BE67A B		VXU1	VXU1		
VSX	VSX	BE06J C	VXW2	VXW2					

1

Model	Type	Parts catalogue type	Applicable engine serial No.	Applicable carburetor identification No.	
GX160K1 (1)	VX2	VX2	GCAAK- 1000001~	BE65B B	
	VX4	VX4			
	WDA6	WDA6			
	WJP	WJP		BE65C B	
	WKD6	WKD6			
	WKT2	WKT2			
	WKT4	WKT4			
	WKT6	WKT6			
	WMB0	WMB0			BE66E B
	WME2	WME2			BE65C B
	WME4	WME4			BE66E B
WMT	WMT				
GX160K1 (2)	L1	L1		BE06H C BE06J C BE11C B	
	Q1	Q1			
	R1	R1			
	S1	S1			
	W1	W1			

* Of carburetor identification numbers, only the portions underlined in the example below are used for registration.

BE 67C A KC ナ
 (A) (B)

Features of each type

• See the following table for the features of each type.

Model		GX160K1																	
		Standard equipment (1)																	
Specifications	Type	AR	ARC6	BL	EMA2	HG12	HH	HHQ4	HH26	HX	HXE2	HXE8	HXU	HX2	HX26	HX4	KR	KTA	LA1
	Crankshaft	19mm Ø Straight																	
20mm Ø Straight																			
20mm Ø Spline																			•
21mm Ø Spline						•	•	•	•	•	•	•	•	•	•	•			
23mm Ø Spline		•	•															•	
24mm Ø Spline																		•	
M16 Stepped thread																			
M18 Stepped thread																			
1/2" Stepped thread																			
3/4" Thread																			
5/8" Thread																			
1/5" Tapered				•	•														
3/16" Tapered																			
Coil		Lamp coil				•													
	Charge coil										•	•							
Control box											•	•							
Starter motor											•	•							
Oil alert					•	•				•	•	•	•	•	•	•			
Reduction		•	•	•		•	•	•	•	•	•	•	•	•	•	•	•		

Specifications		Model	GX160K1																
		Type	Standard equipment (1)																
			LD	LH	LHB3	LHQ4	LJ	LJC7	LJG	LJS	LSJ4	LVL	LW2	LX	LXU	LX2	LX26	LX4	NJ
Crankshaft	19mm Ø Straight																		
	20mm Ø Straight																	•	•
	20mm Ø Spline	•	•	•	•	•	•	•	•	•	•	•	•	•	•	•			
	21mm Ø Spline																		
	23mm Ø Spline																		
	24mm Ø Spline																		
	M16 Stepped thread																		
	M18 Stepped thread																		
	1/2" Stepped thread																		
	3/4" Thread																		
	5/8" Thread																		
	1/5" Tapered																		
	3/16" Tapered																		
Coil	Lamp coil											•							
	Charge coil																		
Control box																			
Starter motor																			
Oil alert							•					•	•	•	•	•			
Reduction		•	•	•	•	•	•	•	•	•	•	•	•	•	•	•			

Specifications		Model	GX160K1																	
		Type	Standard equipment (1)																	
			NJG	NSJ	PHM	PX	PXU	QAB3	QAX2	QA2	QA26	QBC2	QBT6	QCB2	QCL	QD	QE	QFE4	QGR2	QGR9
Crankshaft	19mm Ø Straight						•	•	•	•	•	•	•	•	•	•	•	•	•	
	20mm Ø Straight	•	•																	
	20mm Ø Spline																			
	21mm Ø Spline																			
	23mm Ø Spline																			
	24mm Ø Spline																			
	M16 Stepped thread																			
	M18 Stepped thread																			
	1/2" Stepped thread																			
	3/4" Thread			•	•	•														
	5/8" Thread																			
	1/5" Tapered																			
3/16" Tapered																				
Coil	Lamp coil		•																	
	Charge coil							•											•	
Control box																				
Starter motor																				
Oil alert					•	•		•				•		•				•	•	
Reduction																				

Model		GX160K1																	
		Standard equipment (1)																	
Specifications	Type	QH	QHE	QHP1	QHQ4	QH2	QH26	QI2	QKA4	QMC6	QMC8	QMD6	QME4	QMH	QMX2	QMZ2	QNT	QNT4	QNZ
	Crankshaft	19mm Ø Straight	•	•	•	•	•	•	•	•	•	•	•	•	•	•	•	•	•
20mm Ø Straight																			
20mm Ø Spline																			
21mm Ø Spline																			
23mm Ø Spline																			
24mm Ø Spline																			
M16 Stepped thread																			
M18 Stepped thread																			
1/2" Stepped thread																			
3/4" Thread																			
5/8" Thread																			
1/5" Tapered																			
3/16" Tapered																			
Coil	Lamp coil									•		•							
	Charge coil		•						•										•
Control box			•						•										
Starter motor			•						•										•
Oil alert								•	•		•	•		•	•		•	•	
Reduction																			

Model		GX160K1																		
		Standard equipment (1)																		
Specifications	Type	QP	QPU	QSC2	QSC9	QS2	QT	QVL	QWA4	QWX2	QX	QXC	QXC6	QXC9	QXE	QXE2	QXE4	QXE6	QXE8	
	Crankshaft	19mm Ø Straight	•	•	•	•	•	•	•	•	•	•	•	•	•	•	•	•	•	•
20mm Ø Straight																				
20mm Ø Spline																				
21mm Ø Spline																				
23mm Ø Spline																				
24mm Ø Spline																				
M16 Stepped thread																				
M18 Stepped thread																				
1/2" Stepped thread																				
3/4" Thread																				
5/8" Thread																				
1/5" Tapered																				
3/16" Tapered																				
Coil	Lamp coil	•																		
	Charge coil			•	•										•	•	•	•	•	
Control box				•											•	•	•	•	•	
Starter motor				•											•	•	•	•	•	
Oil alert				•	•	•			•	•	•	•	•	•	•	•	•	•	•	
Reduction																				

Model		GX160K1																		
		Standard equipment (1)																		
Specifications	Type	QXF2	QXM1	QXS2	QXU	QXW	QX2	QX22	QX26	QX4	QX7	RD	RD4	RH	RHA2	RHQ4	RH2	RH26	RMB4	
	Crankshaft	19mm Ø Straight	•	•	•	•	•	•	•	•	•	•								
20mm Ø Straight												•	•	•	•	•	•	•	•	
20mm Ø Spline																				
21mm Ø Spline																				
23mm Ø Spline																				
24mm Ø Spline																				
M16 Stepped thread																				
M18 Stepped thread																				
1/2" Stepped thread																				
3/4" Thread																				
5/8" Thread																				
1/5" Tapered																				
3/16" Tapered																				
Coil	Lamp coil			•											•					
	Charge coil					•														
Control box						•														
Starter motor						•														
Oil alert		•	•	•	•	•	•	•	•	•	•									
Reduction												•	•	•	•	•	•	•	•	

Model		GX160K1																	
		Standard equipment (1)																	
Specifications	Type	RMD	RMG2	RSK	RSS1	RTB2	RX	RXE	RXE2	RXE4	RXU	RX4	SCJ	SD	SDS	SD16	SD4	SE	SG24
	Crankshaft	19mm Ø Straight																	
20mm Ø Straight		•	•	•	•	•	•	•	•	•	•	•	•	•	•	•	•	•	•
20mm Ø Spline																			
21mm Ø Spline																			
23mm Ø Spline																			
24mm Ø Spline																			
M16 Stepped thread																			
M18 Stepped thread																			
1/2" Stepped thread																			
3/4" Thread																			
5/8" Thread																			
1/5" Tapered																			
3/16" Tapered																			
Coil	Lamp coil		•	•											•				
	Charge coil							•	•	•									
Control box								•	•	•									
Starter motor								•	•	•									
Oil alert							•	•	•	•	•								•
Reduction		•	•	•	•	•	•	•	•	•	•								

Model		GX160K1																	
		Standard equipment (1)																	
Specifications	Type	SH	SHM	SHQ4	SHRY	SJ	SJC1	SJC5	SJG	SKM	SMC7	SMC9	SMJ	SMJ1	SMW2	SMX4	SM11	SM12	SM14
	Crankshaft	19mm Ø Straight																	
20mm Ø Straight		•	•	•	•	•	•	•	•	•	•	•	•	•	•	•	•	•	•
20mm Ø Spline																			
21mm Ø Spline																			
23mm Ø Spline																			
24mm Ø Spline																			
M16 Stepped thread																			
M18 Stepped thread																			
1/2" Stepped thread																			
3/4" Thread																			
5/8" Thread																			
1/5" Tapered																			
3/16" Tapered																			
Coil	Lamp coil										•								
	Charge coil									•									
Control box																			
Starter motor										•									
Oil alert							•	•		•	•	•	•	•	•	•		•	•
Reduction																			

Specifications		Model	GX160K1																	
		Type	Standard equipment (1)																	
			SNX	SNX1	SSK1	SSX2	ST	STM	STQ	SWG4	SWX2	SWX4	SX	SXE	SXE4	SXS4	SXU	SX4	SX7	S1CY
Crankshaft	19mm Ø Straight																			
	20mm Ø Straight	•	•	•	•	•	•	•	•	•	•	•	•	•	•	•	•	•	•	
	20mm Ø Spline																			
	21mm Ø Spline																			
	23mm Ø Spline																			
	24mm Ø Spline																			
	M16 Stepped thread																			
	M18 Stepped thread																			
	1/2" Stepped thread																			
	3/4" Thread																			
	5/8" Thread																			
	1/5" Tapered																			
	3/16" Tapered																			
Coil	Lamp coil																			
	Charge coil		•			•	•						•	•						
Control box													•	•						
Starter motor			•			•	•		•				•	•						
Oil alert		•	•		•				•	•	•	•	•	•	•	•	•	•		
Reduction																				

Model		GX160K1																		
		Standard equipment (1)																		
Specifications		Type	TCS2	TX	TXC9	TXU	TX2	TX26	TX4	UXU	VA2	VEBM	VED	VED1	VED2	VED3	VED5	VED6	VEN2	VES
Crankshaft	19mm Ø Straight																			
	20mm Ø Straight																			
	20mm Ø Spline																			
	21mm Ø Spline																			
	23mm Ø Spline																			
	24mm Ø Spline																			
	M16 Stepped thread																			
	M18 Stepped thread																			
	1/2" Stepped thread										•									
	3/4" Thread																			
	5/8" Thread		•	•	•	•	•	•	•											
	1/5" Tapered												•	•	•	•	•	•	•	•
	3/16" Tapered											•								
Coil	Lamp coil																			•
	Charge coil																			
Control box																				
Starter motor																				
Oil alert			•	•	•	•	•	•	•	•	•	•		•	•	•	•	•	•	•
Reduction																				

Specifications		Model	GX160K1																
		Type	Standard equipment (1)																
			VGE4	VG24	VHA7	VHH4	VMS4	VMS7	VMT	VPM4	VPM5	VPM7	VPR4	VPR7	VSB1	VSD	VSD1	VSD7	VSG
Crankshaft	19mm Ø Straight																		
	20mm Ø Straight																		
	20mm Ø Spline																		
	21mm Ø Spline																		
	23mm Ø Spline																		
	24mm Ø Spline																		
	M16 Stepped thread																		
	M18 Stepped thread																		
	1/2" Stepped thread																		
	3/4" Thread																		
	5/8" Thread																		
	1/5" Tapered		•					•											
	3/16" Tapered	•		•	•	•	•		•	•	•	•	•	•	•	•	•	•	•
	Coil	Lamp coil																	
Charge coil																			
Control box																			
Starter motor																			
Oil alert		•	•	•	•	•	•	•	•	•	•	•	•	•	•	•	•	•	•
Reduction																			

Model		GX160K1																	
		Standard equipment (1)																	
Specifications	Type	VSX1	VSX3	VS17	VS3	VS4	VTH4	VTU1	VWA2	VW12	VX	VXD	VXD1	VXE4	VXE7	VXM	VXU	VXU1	VXW2
	Crankshaft	19mm Ø Straight																	
20mm Ø Straight																			
20mm Ø Spline																			
21mm Ø Spline																			
23mm Ø Spline																			
24mm Ø Spline																			
M16 Stepped thread																			
M18 Stepped thread																			
1/2" Stepped thread																			
3/4" Thread																			
5/8" Thread																			
1/5" Tapered													•	•					
3/16" Tapered		•	•	•	•	•	•	•	•	•	•	•			•	•	•	•	•
Coil	Lamp coil											•	•						
	Charge coil						•							•	•				
Control box														•	•				
Starter motor							•							•	•				
Oil alert		•	•	•	•	•	•	•	•	•	•	•	•	•	•	•	•	•	•
Reduction																			

Specifications		Model	GX160K1															
		Type	Standard equipment (1)										Selective equipment (2)					
			VX2	VX4	WDA6	WJP	WKD6	WKT2	WKT4	WKT6	WMB0	WME2	WME4	WMT	L1	Q1	R1	S1
Crankshaft	19mm Ø Straight														•			
	20mm Ø Straight																•	•
	20mm Ø Spline													•				
	21mm Ø Spline																	
	23mm Ø Spline																	
	24mm Ø Spline																	
	M16 Stepped thread				•						•	•						
	M18 Stepped thread			•		•	•	•	•	•			•					•
	1/2" Stepped thread																	
	3/4" Thread																	
	5/8" Thread																	
	1/5" Tapered																	
	3/16" Tapered	•	•															
Coil	Lamp coil													(•)	(•)	(•)	(•)	(•)
	Charge coil													(•)	(•)	(•)	(•)	(•)
Control box														(•)	(•)	(•)	(•)	(•)
Starter motor														(•)	(•)	(•)	(•)	(•)
Oil alert		•	•			•	•	•	•		•		•	(•)	(•)	(•)	(•)	(•)
Reduction														•		•		

Fuel hose, general purpose hoses and vinyl hose

- The standard part fuel hose, general purpose hose and vinyl hose may be substituted by the coiled bulk part.
- When ordering the standard part fuel hose, general purpose hose and vinyl hose use the bulk part number written in the parts catalog in brackets () underneath the part name.
- When exchanging the hose, cut and use at the specified length as mentioned in the part name.
(For the method of cutting the bulk part, and method of filling out orders etc., please refer to the instructions issued with the bulk part.)

Bulk part number of fuel hose, general purpose hose and vinyl hose.

Example: 9 5 0 0 1 - 7 5 0 0 1 - 5 0 M

Bulk part number:
Refers to the bulk part.

Marking code (fuel hose and general purpose hose)

Change code (Vinyl hose)

Indicates number mark or change sequence, however, the code for the bulk part must be strictly 0 (zero).

Types of code:

- | | | | | | |
|-------------|--------------------------------------------------------|----------------|----------------------------------------------------|--------------|-----------------------------------------------------------------------|
| • Fuel hose | 2: Red outside braid
(3 mm inside dia. only) | • General hose | 1: Ash gray
2: Ash gray
3: Black
5: Black | • Vinyl hose | 1: Clear
2: Black
3: Light red
6: Light red
7: Pale black |
| | 5: Black inside braid | | | | |
| | 3: Red (3 mm inside dia. only) | | | | |
| | 4: Ash gray with red stripe
(3 mm inside dia. only) | | | | |
| | 6: Black | | | | |

Lengths:

- 001: 1 m (standard)
003: 3 m
008: 8 m } Application or specification of some parts is not settled.

I.D code: (fuel hose and general purpose hose)

- | | | | | |
|------------|--------------------|--------------------|-----------------------------|-----------------------------|
| 30: 3.0 mm | 50: 5.0 mm | 70: 7.0 mm | 11: 11 mm | 12: 12 (outside dia. 17) mm |
| 35: 3.5 mm | 55: 5.3 mm, 5.5 mm | 75: 7.3 mm, 7.5 mm | 91: 12 (outside dia. 15) mm | 14: 14 mm |
| 45: 4.5 mm | 65: 6.5 mm | 80: 8.0 mm | 92: 12 (outside dia. 16) mm | 17: 17 mm |

ID./OD. code: (vinyl hose)

- | | | | | |
|-------------------------|--------------------------|---------------------------|---------------------------|---------------------------|
| 01: ID. 2.9, OD. 6.8 mm | 12: ID. 5.0, OD. 7.0 mm | 21: ID. 8.0, OD. 9.0 mm | 37: ID. 11.0, OD. 15.0 mm | 50: ID. 16.0, OD. 19.0 mm |
| 03: ID. 3.0, OD. 6.0 mm | 10: ID. 5.0, OD. 8.0 mm | 23: ID. 8.0, OD. 12.0 mm | 38: ID. 12.0, OD. 13.0 mm | 55: ID. 17.5, OD. 20.5 mm |
| 05: ID. 3.5, OD. 6.5 mm | 11: ID. 5.0, OD. 9.0 mm | 25: ID. 9.0, OD. 11.0 mm | 39: ID. 12.0, OD. 14.0 mm | 60: ID. 22.0, OD. 27.0 mm |
| 07: ID. 4.0, OD. 7.0 mm | 14: ID. 6.0, OD. 9.0 mm | 27: ID. 9.0, OD. 13.0 mm | 40: ID. 12.0, OD. 16.0 mm | |
| 08: ID. 4.5, OD. 6.5 mm | 17: ID. 7.0, OD. 9.0 mm | 33: ID. 10.0, OD. 14.0 mm | 43: ID. 13.0, OD. 15.0 mm | |
| 09: ID. 4.5, OD. 8.0 mm | 19: ID. 7.0, OD. 11.0 mm | 36: ID. 11.0, OD. 13.0 mm | 45: ID. 14.0, OD. 18.0 mm | |

Hose type:

- 1: Fuel hose
3: Vinyl hose
5: General hose

⊙ **CAUTION: It is DANGEROUS to confuse the fuel hose with the general purpose hose or vinyl hose.**

Never use a general purpose hose or vinyl hose in place of a fuel hose or vice versa. Always use the correct bulk part in the parts catalogue, according to the service manual or the instructions issued with the bulk part.

How to use the flat rate time (F.R.T.)

This F.R.T. (Flat Rate Time) is used to determine the standard labor time allowed for replacement of parts covered by the warranty during the period the warranty is in effect. The F.R.T. for those parts which are not listed herein should be determined from the operation closely related to the replacement of that part.

1. The F.R.T. is based on the following servicing conditions

- a. A liberal allowance is added to the net servicing time.
- b. Standard times specified are based on the condition that the necessary servicing tools listed in the service manual which describes the Honda service policy are available close at hand and the work performed by a mechanic with normal skill.
- c. Time required for inspection and operational test following the servicing is included in the F.R.T.
- d. The F.R.T. for “•” marked parts are same as the F.R.T. for the representative part above.
- e. The F.R.T. shown with (*) includes engine removal and installation.

2. Method of computing

The job times are listed in tenth of an hour to simplify computation.

(Example) 0.3 = 18 minutes
5.6 = 5 hours and 36 minutes

CONVERSION CHART			
Hours	Minutes	Hours	Minutes
0.1	6	0.6	36
0.2	12	0.7	42
0.3	18	0.8	48
0.4	24	0.9	54
0.5	30	1.0	60

3. Computing the F.R.T.

The following are only examples and do not reflect the actual F.R.T. for this product.

When several jobs are performed at the same time, make the calculation in the following manner.

a. Jobs of non duplicated nature

The F.R.T. for the job is obtained by totalling the F.R.T. for each part replaced.

(Example) Replacement of head cover gasket and oil filter.

Service item	F.R.T.
Packing, cylinder head cover	0.5
Cartridge, oil filter	0.5

The F.R.T. for the job is: $0.5 + 0.5 = 1.0$

b. Jobs of duplicated nature

Take the F.R.T. for the last part to be replaced.

(Example) Replacement of piston and cylinder head gasket.

Service item	F.R.T.
Gasket comp., cylinder head	3.0
Piston	*5.0

The F.R.T. for the job is: 5.0

c. Jobs of partially related nature

Total up the F.R.T. for all of the parts replaced and then subtract the F.R.T. for the duplicated operation (i.e., cylinder head gasket service).

(Example) Replacement of valve and cylinder head.

Service item	F.R.T.
Valve	*3.0
Head assy., cylinder	*4.0
Gasket comp., cylinder head	*2.5

The F.R.T. for the job is: $(3.0 + 4.0) - 2.5 = 4.5$

- The F.R.T. shown with (*) includes engine removal and installation.
- The parts, having the same number of man-hour, are identified by a mark "*", and classified under the title of their representative work.

4. Adjustment, cleaning

Item	Service item	F.R.T.
Adjustment	Valve clearance	0.3
	Carburetor	0.2
	Governor	0.2
Cleaning	Carburetor	0.6
	Air cleaner element	0.1
	Spark arrester	0.2
	Spark plug	0.1

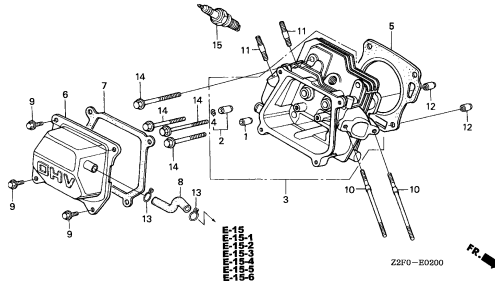
ENGINE GROUP

C13

E-2

CYLINDER HEAD

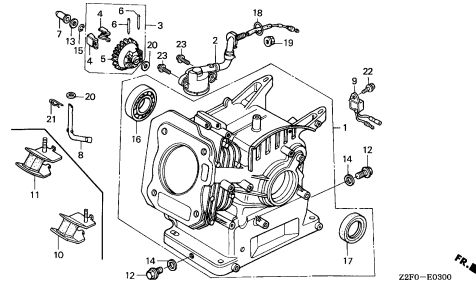
E 1



E-3

CYLINDER BARREL

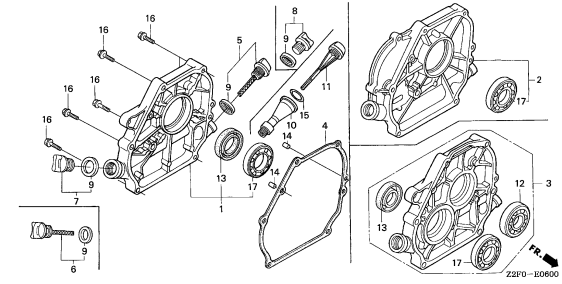
E 5



E-6

CRANKCASE COVER(1)

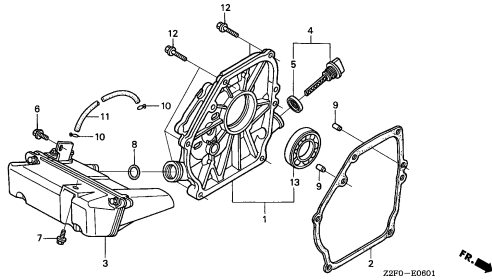
E 9



E-6-1

CRANKCASE COVER(2)

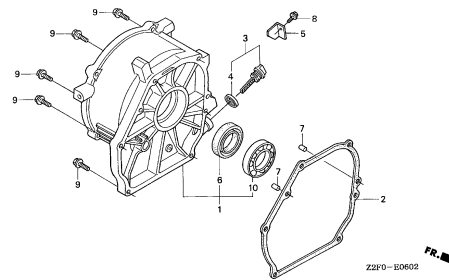
E14



E-6-2

CRANKCASE COVER(3)

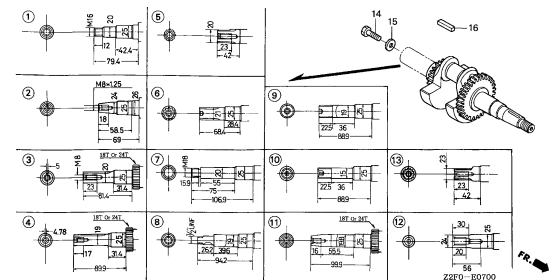
E15



E-7

CRANKSHAFT(1)

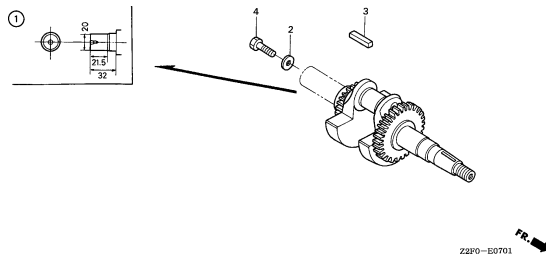
E16



E-7-1

CRANKSHAFT(2)

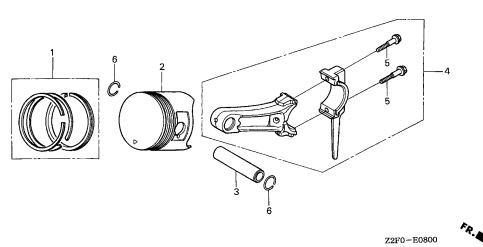
F 2



E-8

PISTON

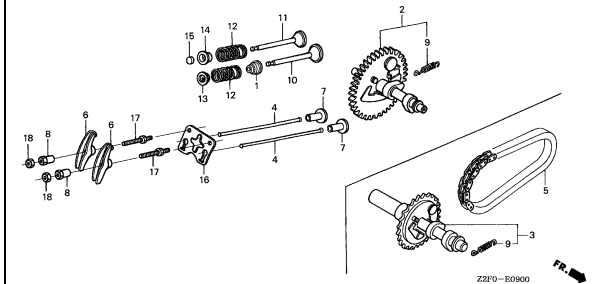
F 3



E-9

CAMSHAFT

F 6

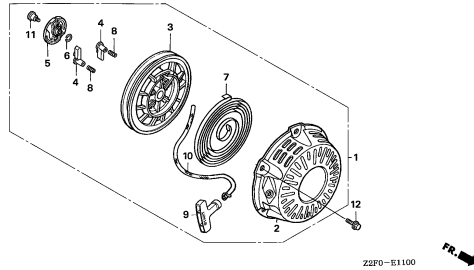


2

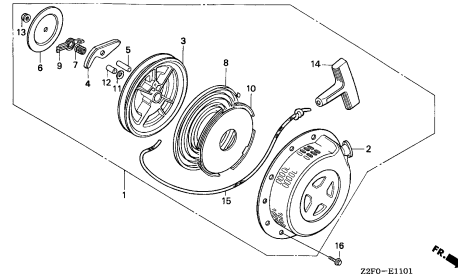
ENGINE GROUP

C14**E-11**

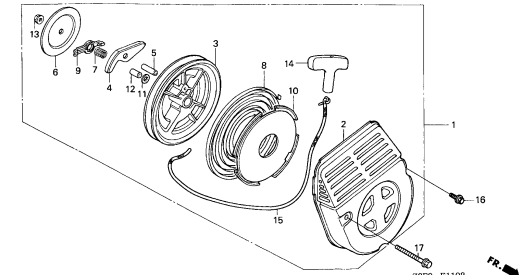
RECOIL STARTER(1)

F 9**E-11-1**

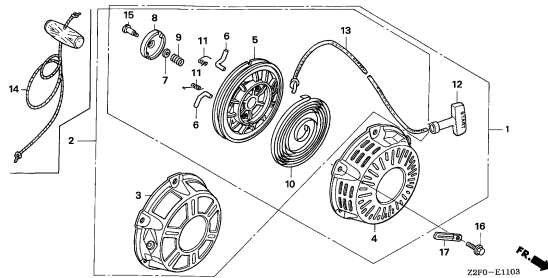
RECOIL STARTER(2)

F10**E-11-2**

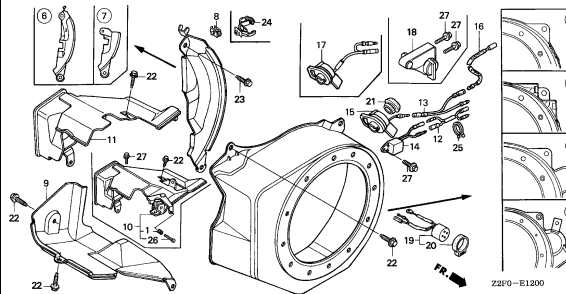
RECOIL STARTER(3)

F12**E-11-3**

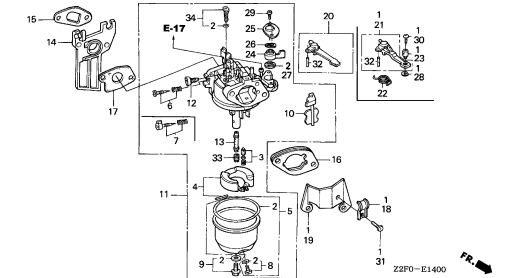
RECOIL STARTER(4)

F13**E-12**

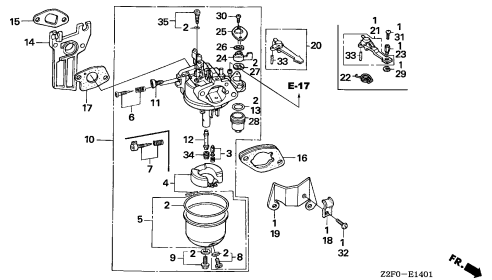
FAN COVER

G 5**E-14**

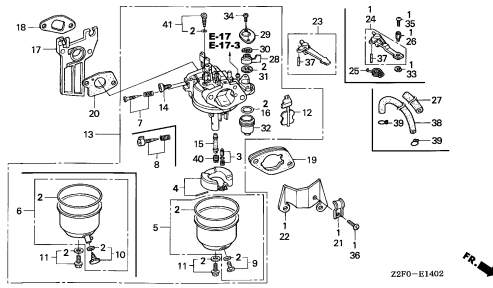
CARBURETOR(1)

G11**E-14-1**

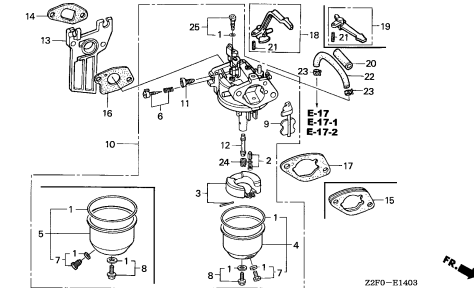
CARBURETOR(2)

G14**E-14-2**

CARBURETOR(3)

H 1**E-14-3**

CARBURETOR(4)

H13**2**

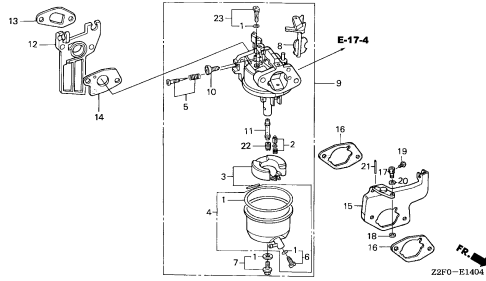
ENGINE GROUP

C15

E-14-4

CARBURETOR(5)

H15

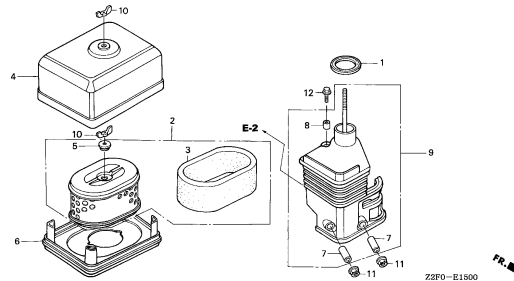


Z2FO-E1404

E-15

AIR CLEANER(1)

H16

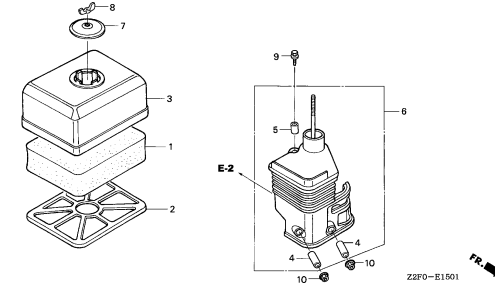


Z2FO-E1500

E-15-1

AIR CLEANER(2)

I 5

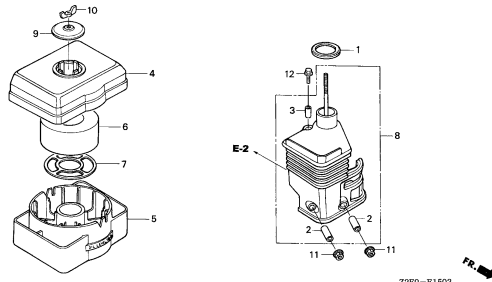


Z2FO-E1501

E-15-2

AIR CLEANER(3)

I 7

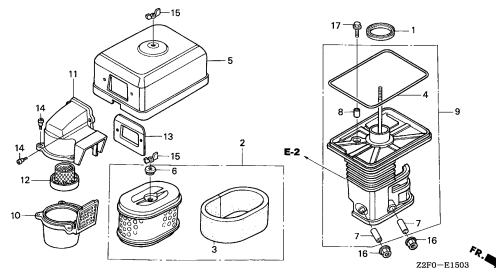


Z2FO-E1502

E-15-3

AIR CLEANER(4)

I 8

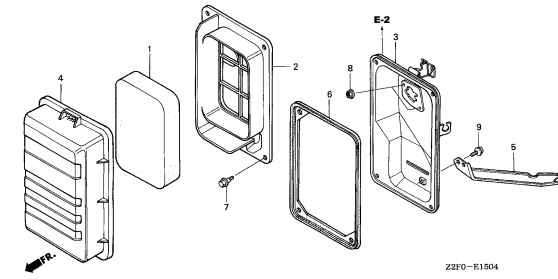


Z2FO-E1503

E-15-4

AIR CLEANER(5)

I10

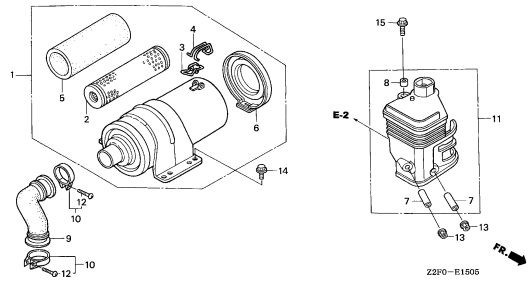


Z2FO-E1504

E-15-5

AIR CLEANER(6)

I11

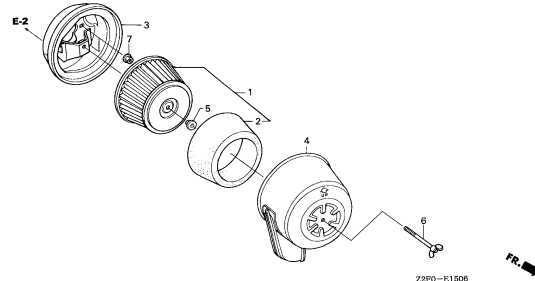


Z2FO-E1506

E-15-6

AIR CLEANER(7)

I12

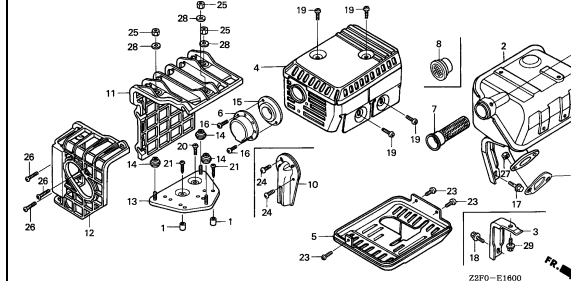


Z2FO-E1506

E-16

MUFFLER(1)

I13



Z2FO-E1600

2

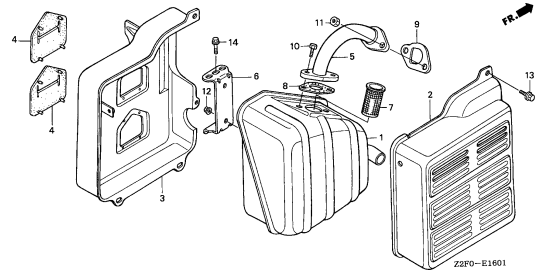
ENGINE GROUP

C16

E-16-1

MUFFLER(2)

J 3

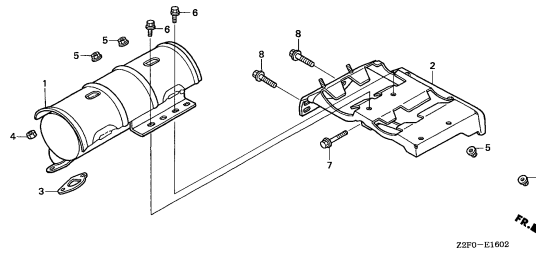


Z2FO-E1601

E-16-2

MUFFLER(3)

J 4

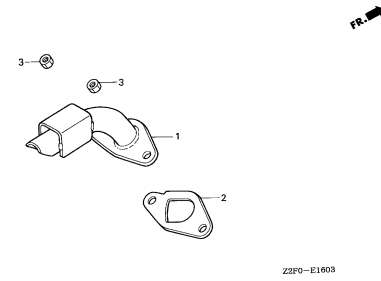


Z2FO-E1602

E-16-3

MUFFLER(4)

J 5

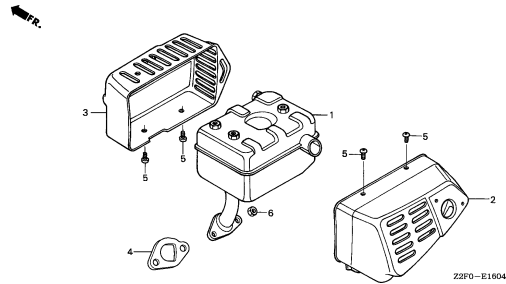


Z2FO-E1603

E-16-4

MUFFLER(5)

J 6

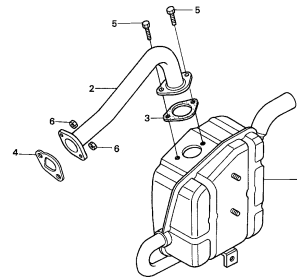


Z2FO-E1604

E-16-5

MUFFLER(6)

J 7

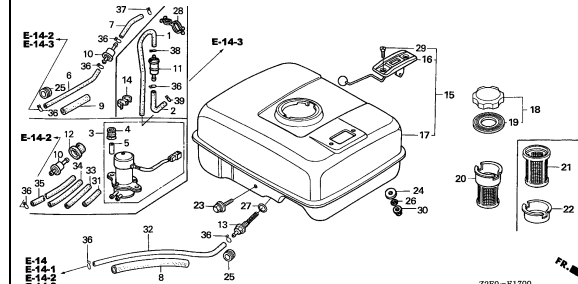


Z2FO-E1605

E-17

FUEL TANK(1)

J 8

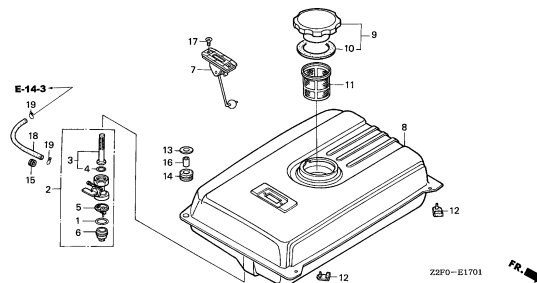


Z2FO-E1700

E-17-1

FUEL TANK(2)

J14

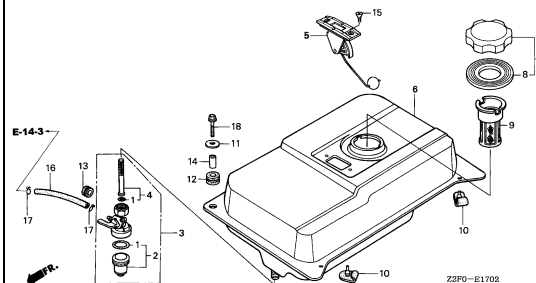


Z2FO-E1701

E-17-2

FUEL TANK(3)

J15

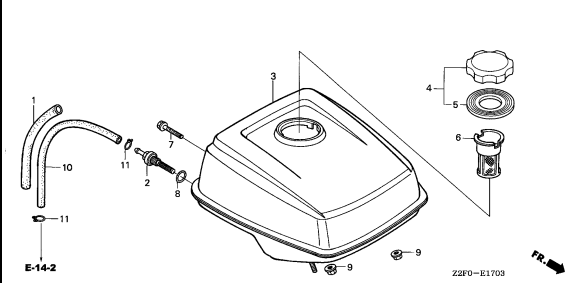


Z2FO-E1702

E-17-3

FUEL TANK(4)

K 1



Z2FO-E1703

2

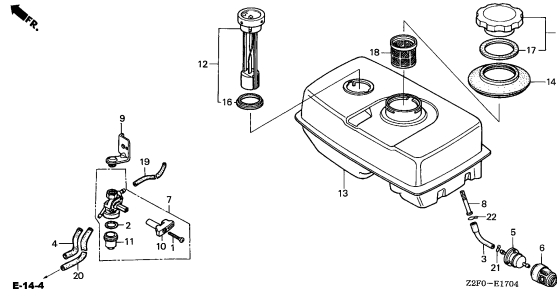
ENGINE GROUP

D 1

E-17-4

FUEL TANK(5)

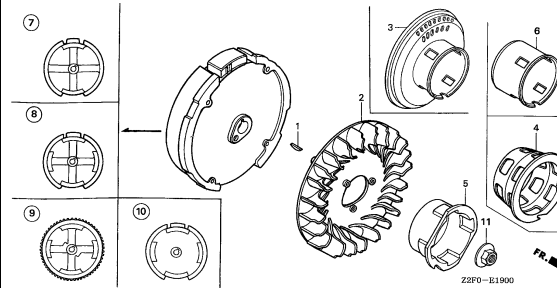
K 2



E-19

FLYWHEEL

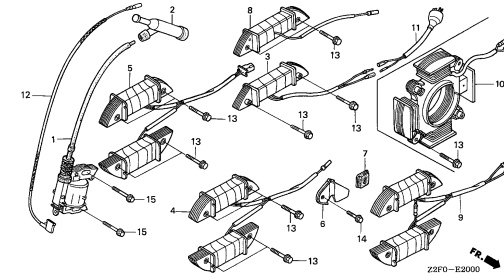
K 3



E-20

IGNITION COIL

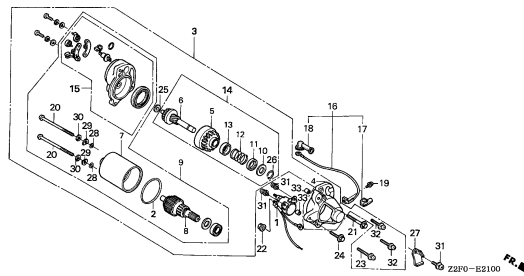
K 5



E-21

STARTER MOTOR

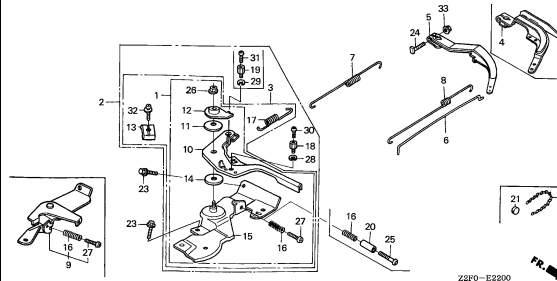
K 7



E-22

CONTROL(1)

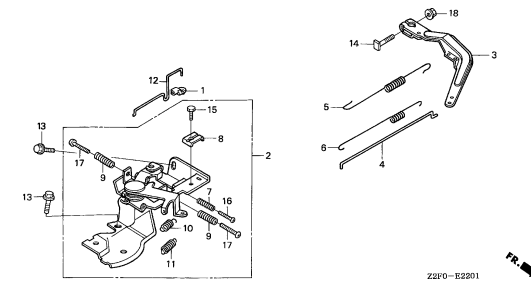
K11



E-22-1

CONTROL(2)

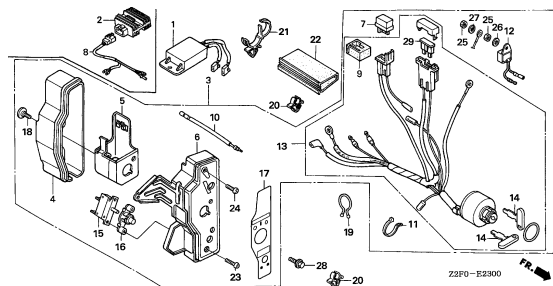
L 5



E-23

CONTROL BOX(1)

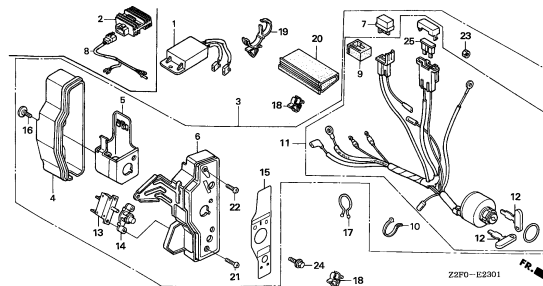
L 6



E-23-1

CONTROL BOX(2)

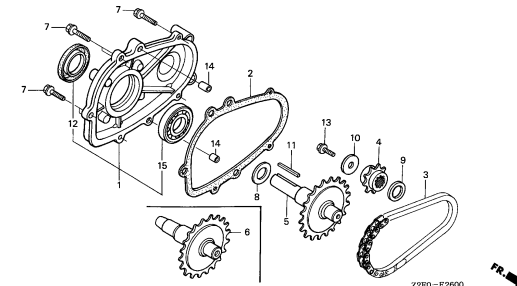
L 9



E-26

REDUCTION(1)

L11



2

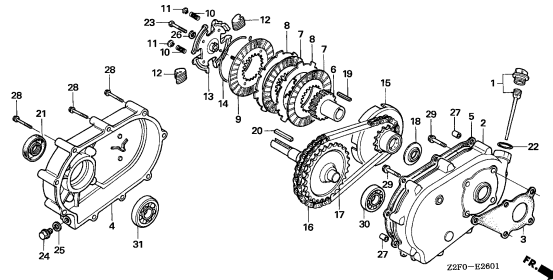
ENGINE GROUP

D 2

E-26-1

REDUCTION(2)

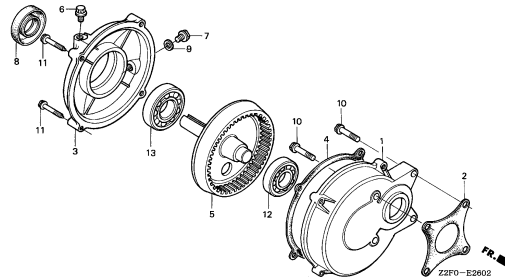
L13



E-26-2

REDUCTION(3)

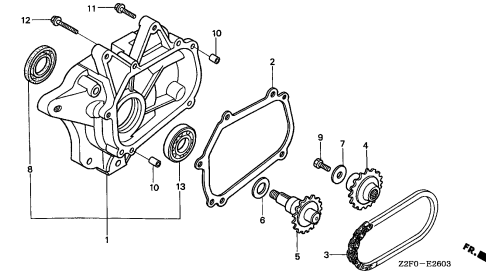
L15



E-26-3

REDUCTION(4)

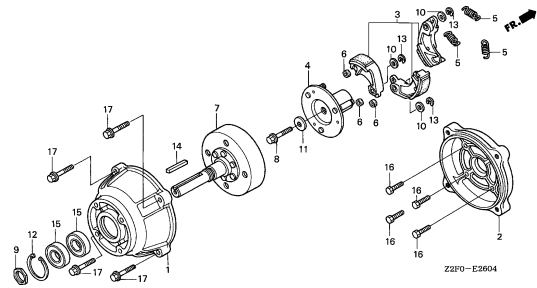
L16



E-26-4

REDUCTION(5)

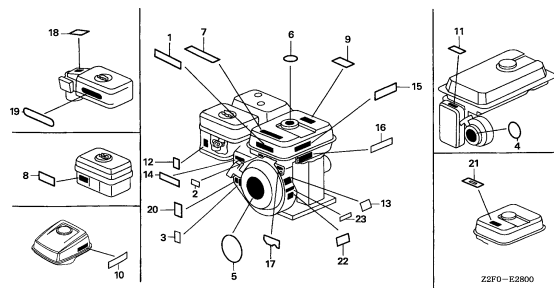
M 1



E-28

LABEL(1)

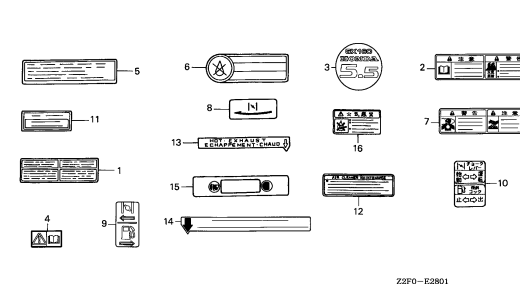
M 2



E-28-1

LABEL(2)

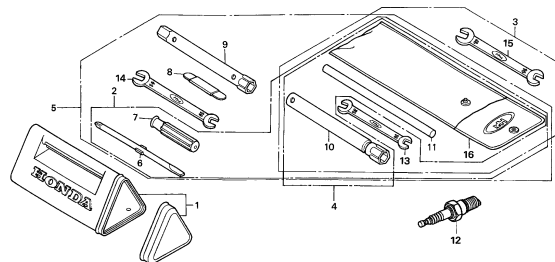
M 6



E-29

TOOL

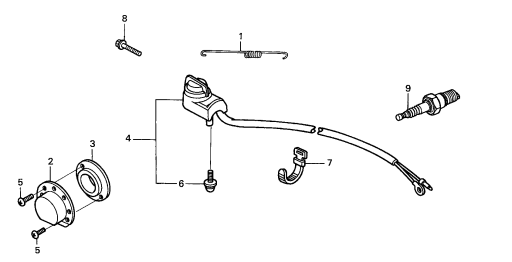
M 7



E-40

ENGINE STOP SWITCH

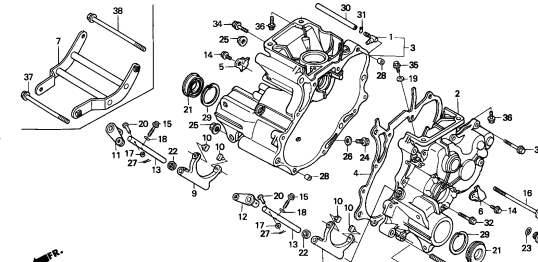
M 9



E-40-1

TRANSMISSION CASE

M10



2

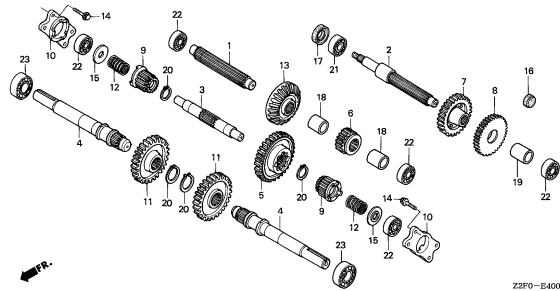
ENGINE GROUP

D 3

E-40-2

TRANSMISSION GEAR

M12

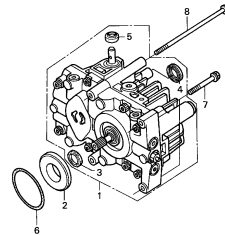


ZZF0-E4002

E-40-3

HYDROSTATIC TRANSMISSION

M13

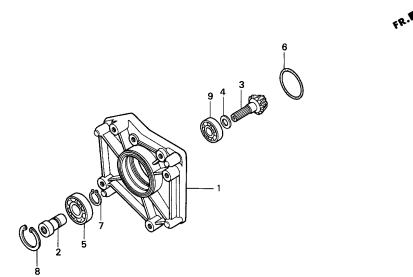


ZZF0-E4003

E-40-4

BEVEL COVER

M14

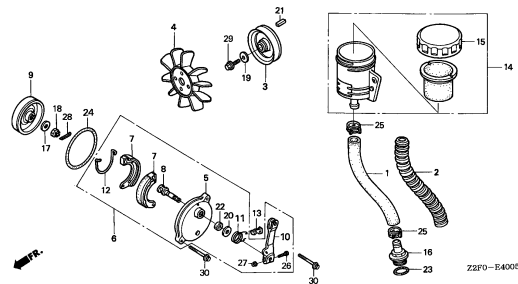


ZZF0-E4004

E-40-5

OIL TANK/BRAKE PANEL

M15

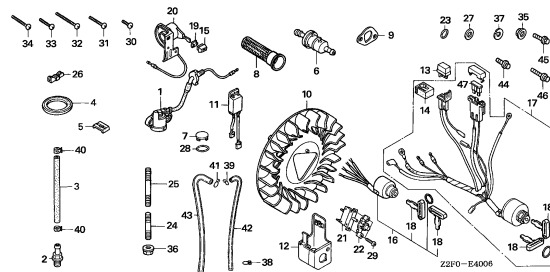


ZZF0-E4005

E-40-6

COMBINATION SWITCH

N 1

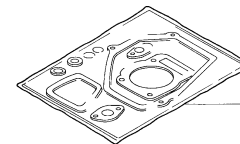


ZZF0-E4006

EOP-1

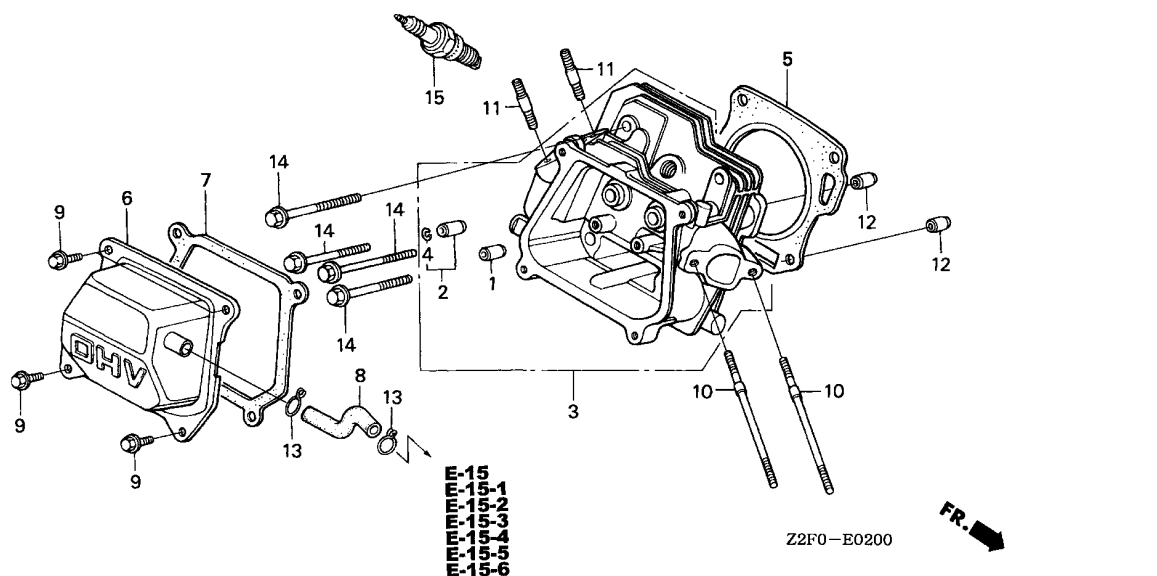
GASKET KIT

N 3



HENG-X0063

2

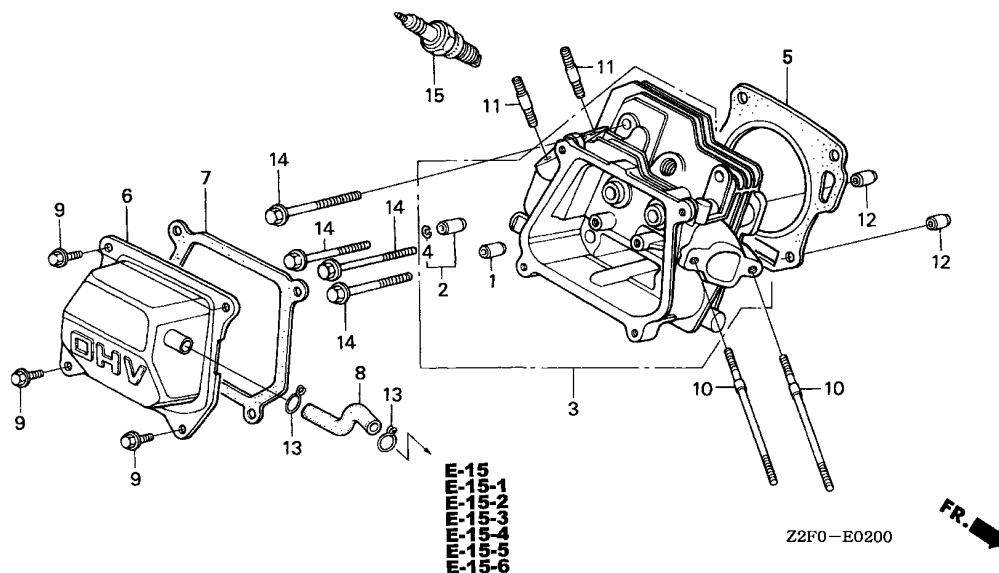


Service item	F.R.T.
COVER COMP., HEAD	0.1
.PACKING, HEAD COVER	
.PLUG, SPARK	
.TUBE, BREATHER	
BOLT, STUD, 6X112	0.2
(ADD 0.1 FOR EACH.)	
.BOLT, STUD, 6X94	
(ADD 0.1 FOR EACH.)	
.BOLT, STUD, 8X32	
(ADD 0.1 FOR EACH.)	
GASKET, CYLINDER HEAD	0.5
GUIDE, IN. VALVE	0.8
(ADD 0.2 FOR EACH.)	
HEAD COMP., CYLINDER	0.9

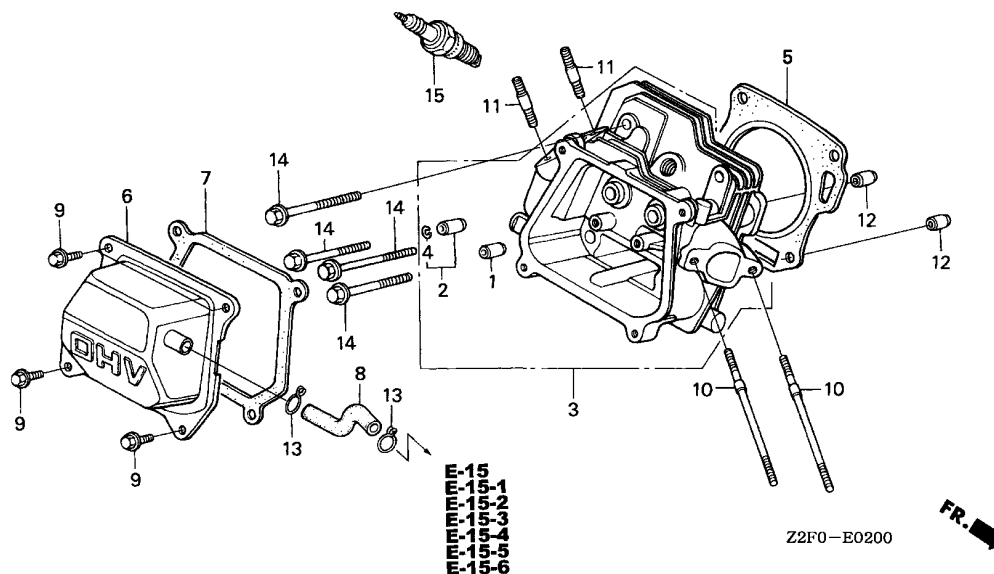
Ref. No.	Part No.	Description	Reqd. QTY		Serial No.	Parts catalogue code	
			GX 160K1 (1)	GX 160K1 (2)			
1	12204-ZE1-306	GUIDE, IN. VALVE (O.S.)	(1)	(1)			
2	12205-ZE1-315	GUIDE, EX. VALVE (O.S.)	(1)	(1)			
3	12210-ZH8-020	HEAD COMP., CYLINDER	1	1			
4	12216-ZE5-300	CLIP, VALVE GUIDE	1	1			
5	12251-ZF1-800	GASKET, CYLINDER HEAD	1	(1)			
6	12310-ZE1-020	COVER COMP., HEAD	1	-	AR, ARC6, BL, EMA2, HG12, HH, HHQ4, HH26, HX, HXE2, HXE8, HXU, HX2, HX26, HX4, KR KTA, LA1, LD, LH, LHB3, LHQ4, LJ, LJC7, LJG, LJS, LSJ4, LVL, LW2, LX, LXU, LX2, LX26 LX4, NJ, NJC1, NJG, NSJ, PHM, PX, PXU, QAB3, QAX2, QA2, QA26, QBC2, QBT6, QCB2, QCL QD, QE, QFE4, QGR2, QGR9, QH, QHE, QHP1, QHQ4, QH2, QH26, QI2, QKA4, QMC6, QMC8 QMD6, QME4, QMH, QMX2, QMZ2, QNT, QNZ, QP, QPU, QS2, QT, QVL, QWA4, QWX2, QX, QXE QXE2, QXE4, QXE6, QXE8, QXF2, QXM1, QXS2, QXU, QXW, QX2, QX22, QX26, QX4, QX7, RD RD4, RH, RHA2, RHQ4, RH2, RH26, RMB4, RMD, RMG2, RSK, RSS1, RTB2, RX, RXE, RXE2 RXE4, RXU, RX4, SCJ, SD, SDS, SD16, SD4, SE, SG24, SH, SHM, SHQ4, SHRY, SJ, SJC1 SJC5, SJG, SKM, SMC7, SMC9, SMJ, SMJ1, SMW2, SMX4, SM11, SM12, SM14, SNX, SNX1 SSK1, SSSX2, ST, STM, STQ, SWG4, SWX2, SWX4, SX, SXE, SXE4, SXS4, SXU, SX4, SX7, S1CY TCS2, TX, TXU, TX2, TX26, TX4, UXU, VA2, VEBM, VED, VED1, VED2, VED3, VED5, VED6 VEN2, VES, VGE4, VG24, VHA7, VHH4, VMS4, VMS7, VMT, VPM4, VPM5, VPM7, VPR4, VPR7 VSB1, VSD, VSD1, VSD7, VSG, VSX, VSX1, VSX3, VS17, VS3, VS4, VTH4, VTU1, VWA2, VW12 VX, VXD, VXD1, VXE4, VXE7, VXM, VXU, VXU1, VXW2, VX2, VX4, WDA6, WJP, WKD6, WKT2 WKT4, WKT6, WMB0, WME2, WME4, WMT		
	12310-ZE1-842	COVER COMP., HEAD (BREATHER TUBE)	1	-	QNT4, QSC2, QSC9, QXC, QXC6, QXC9, TXC9		
			-	(1)			
7	12391-ZE1-000	PACKING, HEAD COVER	1	1			
8	15721-ZE1-840	TUBE, BREATHER	1	-	QNT4, QSC2, QSC9, QXC, QXC6, QXC9, TXC9		
			-	(1)			
	15721-ZH8-D60		1	-	NJC1		

Ref. No.	Part No.	Description	Reqd. QTY		Serial No.	Parts catalogue code
			GX 160K1 (1)	GX 160K1 (2)		
(8)	15721-ZH8-000	TUBE, BREATHER	1	-	-	AR,ARC6,BL,HG12,HH,HHQ4,HH26,HX,HXE2,HXE8,HXU,HX2,HX26,HX4,KR,KTA,LA1 LD,LH,LHB3,LHQ4,LJ,LJC7,LJG,LJS,LSJ4,LVL,LW2,LX,LXU,LX2,LX26,LX4,NJ NJG,NSJ,PHM,PX,PXU,QAB3,QAX2,QA2,QA26,QBC2,QBT6,QCB2,QCL,QD,QE,QFE4 QGR2,QGR9,QH,QHE,QHP1,QHQ4,QH2,QH26,QI2,QKA4,QMC6,QMC8,QMD6,QME4,QMH QMX2,QMZ2,QNT,QNZ,QP,QPU,QS2,QT,QVL,QWA4,QWX2,QX,QXE,QXE2,QXE4,QXE6 QXE8,QXF2,QXM1,QXS2,QXU,QXW,QX2,QX22,QX26,QX4,QX7,RD,RD4,RH,RHA2,RHQ4 RH2,RH26,RMB4,RMD,RMG2,RSK,RSS1,RTB2,RX,RXE,RXE2,RXE4,RXU,RX4,SCJ,SD SDS,SD16,SD4,SE,SG24,SH,SHM,SHQ4,SHRY,SJ,SJC1,SJC5,SJG,SKM,SMC7,SMC9 SMJ,SMJ1,SMW2,SMX4,SM11,SM12,SM14,SNX,SNX1,SSK1,SSX2,ST,STM,STQ,SWG4 SWX2,SWX4,SX,SXE,SXE4,SXS4,SXU,SX4,SX7,S1CY,TCS2,TX,TXU,TX2,TX26,TX4 UXU,VA2,VEBM,VED,VED1,VED5,VED6,VGE4,VG24,VHA7,VHH4,VMS4,VMS7,VSD VSD7,VSX,VSX1,VSX3,VTU1,VWA2,VW12,VX,VXD,VXD1,VXE4,VXE7,VXM,VXU,VXU1 VXW2,VX2,VX4,WDA6,WJP,WKD6,WKT2,WKT4,WMT
	15721-883-030	1	(1)	-	EMA2,VED2,VED3,VEN2,VES,VMT,VPM4,VPM5,VPM7,VPR4,VPR7,VSB1,VSD1,VSG VS17,VS3,VS4,VTH4
9	90013-883-000	BOLT, FLANGE, 6X12(CT200) ...	4	4	-	
10	90043-ZB2-003	BOLT, STUD, 6X94	2	-	-	EMA2,NJC1,VED2,VED3,VEN2,VES,VMT,VPM4,VPM5,VPM7,VPR4,VPR7,VSB1,VSD1 VSG,VS17,VS3,VS4,VTH4
	90043-ZE1-020	BOLT, STUD, 6X112	2	-	-	AR,ARC6,BL,HG12,HH,HHQ4,HH26,HX,HXE2,HXE8,HXU,HX2,HX26,HX4,KR,KTA,LA1 LD,LH,LHB3,LHQ4,LJ,LJC7,LJG,LJS,LSJ4,LVL,LW2,LX,LXU,LX2,LX26,LX4,NJ NJG,NSJ,PHM,PX,PXU,QAB3,QAX2,QA2,QA26,QBC2,QBT6,QCB2,QCL,QD,QE,QFE4 QGR2,QGR9,QH,QHE,QHP1,QHQ4,QH2,QH26,QI2,QKA4,QMC6,QMC8,QMD6,QME4,QMH QMX2,QMZ2,QNT,QNT4,QNZ,QP,QPU,QSC2,QSC9,QS2,QT,QVL,QWA4,QWX2,QX,QXC QXC6,QXC9,QXE,QXE2,QXE4,QXE6,QXE8,QXF2,QXM1,QXS2,QXU,QXW,QX2,QX22 QX26,QX4,QX7,RD,RD4,RH,RHA2,RHQ4,RH2,RH26,RMB4,RMD,RMG2,RSK,RSS1,RTB2 RX,RXE,RXE2,RXE4,RXU,RX4,SCJ,SD,SDS,SD16,SD4,SE,SG24,SH,SHM,SHQ4,SHRY SJ,SJC1,SJC5,SJG,SKM,SMC7,SMC9,SMJ,SMJ1,SMW2,SMX4,SM11,SM12,SM14,SNX SNX1,SSK1,SSX2,ST,STM,STQ,SWG4,SWX2,SWX4,SX,SXE,SXE4,SXS4,SXU,SX4,SX7 S1CY,TCS2,TX,TXC9,TXU,TX2,TX26,TX4,UXU,VA2,VEBM,VED,VED1,VED5,VED6 VGE4,VG24,VHA7,VHH4,VMS4,VMS7,VSD,VSD7,VSX,VSX1,VSX3,VTU1,VWA2,VW12 VX,VXD,VXD1,VXE4,VXE7,VXM,VXU,VXU1,VXW2,VX2,VX4,WDA6,WJP,WKD6,WKT2 WKT4,WKT6,WMB0,WME2,WME4,WMT
			-	2	-	
11	90047-ZE1-000	BOLT, STUD, 8X32	2	2	-	
12	94301-10160	DOWEL PIN, 10X16	2	2	-	
13	95002-80000	CLIP, TUBE (C12)	2	-	-	QNT4,QSC2,QSC9,QXC,QXC6,QXC9,TXC9
			-	(2)	-	
14	95723-08060-00	BOLT, FLANGE, 8X60	4	4	-	
15	98079-54846	PLUG, SPARK (BPR4ES) (NGK) ...	1	-	-	AR,ARC6,KR
	98079-54855	PLUG, SPARK (W14EPR-U) (DENSO)	1	-	-	AR,ARC6,KR
	98079-55841	PLUG, SPARK (BP5ES) (NGK)	-	(1)	-	
	98079-55846	PLUG, SPARK (BPR5ES) (NGK) ...	1	-	-	BL,HG12,HX,HXE2,HXE8,HXU,HX2,HX26,HX4,LH,LHB3,LHQ4,LSJ4,LVL,LX,LXU LX2,LX26,LX4,QAB3,QAX2,QA2,QA26,QBC2,QBT6,QCB2,QCL,QGR2,QGR9,QH,QHP1 QHQ4,QH2,QH26,QI2,QMC6,QME4,QMH,QMX2,QMZ2,QNT,QNT4,QP,QPU,QS2,QVL QWA4,QWX2,QX,QXF2,QXM1,QXU,QX2,QX22,QX26,QX4,QX7,RD4,RH,RHA2,RHQ4,RH2 RH26,RMG2,RSK,RTB2,RX,RXE,RXE4,RXU,RX4,SDS,SD4,SG24,SH,SHM,SHQ4,SM12 SWX2,SWX4,TCS2,TX,TXU,TX2,TX26,TX4,UXU,VED,VED1,VED5,VED6,VGE4,VHA7 VHH4,VMS4,VMS7,VPM4,VPM5,VPM7,VPR4,VPR7,VSD,VSD1,VSD7,VSX,VSX1,VSX3 VS17,VTU1,VWA2,VW12,VX,VXM,VXU,VXU1,VXW2,VX2,VX4,WDA6,WKD6,WKT2,WKT4 WKT6,WMB0,WME2,WME4,WMT
			-	(1)	-	
	98079-55854	PLUG, SPARK (W16EP-U) (DENSO)	-	(1)	-	

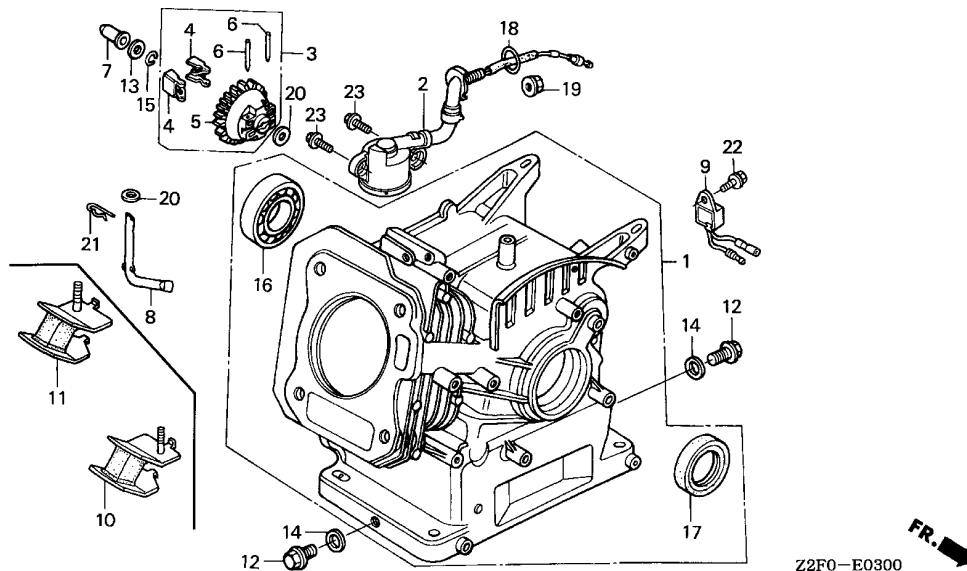




Ref. No.	Part No.	Description	Reqd. QTY		Serial No.	Parts catalogue code
			GX 160K1 (1)	GX 160K1 (2)		
15)	98079-55855	PLUG, SPARK (W16EPR-U) (DENSO)	1	-	-----	BL, HG12, HX, HXE2, HXE8, HXU, HX2, HX26, HX4, LH, LHB3, LHQ4, LSJ4, LVL, LX, LXU, LX2, LX26, LX4, QAB3, QAX2, QA2, QA26, QBC2, QBT6, QCB2, QCL, QGR2, QGR9, QH, QHP1, QHQ4, QH2, QH26, QI2, QMC6, QME4, QMH, QMX2, QM2, QNT, QNT4, QP, QPU, QS2, QVL, QWA4, QWX2, QX, QXF2, QXM1, QXU, QX2, QX22, QX26, QX4, QX7, RD4, RH, RHA2, RHQ4, RH2, RH26, RMG2, RSK, RTB2, RX, RXE, RXE4, RXU, RX4, SDS, SD4, SG24, SH, SHM, SHQ4, SM12, SWX2, SWX4, TCS2, TX, TXU, TX2, TX26, TX4, UXU, VED, VED1, VED5, VED6, VGE4, VHA7, VHH4, VMS4, VMS7, VPM4, VPM5, VPM7, VPR4, VPR7, VSD, VSD1, VSD7, VSX, VSX1, VSX3, VS17, VTU1, VWA2, VW12, VX, VXM, VXU, VXU1, VXW2, VX2, VX4, WDA6, WKD6, WKT2, WKT4, WKT6, WMBO, WME2, WME4, WMT
	98079-56841	PLUG, SPARK (BP6ES) (NGK)	1	(1)	-----	BL, LA1, LHB3, LJS, LVL, LW2, QAB3, QVL, RMD, SKM, SMJ, SM11, STM, VSX, VSX1
	98079-56846	PLUG, SPARK (BPR6ES) (NGK) ...	1	(1)	-----	EMA2, HG12, HH, HHQ4, HH26, HX, HXE2, HXE8, HXU, HX2, HX26, HX4, KTA, LD, LH, LHQ4, LJ, LJC7, LJG, LSJ4, LX, LXU, LX2, LX26, LX4, NJ, NJC1, NJG, NSJ, PHM, PX, PXU, QAX2, QA2, QA26, QBC2, QBT6, QCB2, QCL, QD, QE, QFE4, QGR2, QGR9, QH, QHE, QHP1, QHQ4, QH2, QH26, QI2, QKA4, QMC6, QMC8, QMD6, QME4, QMH, QMX2, QM2, QNT, QNT4, QP, QPU, QSC2, QSC9, QS2, QWA4, QWX2, QX, QXC, QXC6, QXC9, QXE, QXE2, QXE4, QXE6, QXE8, QXF2, QXM1, QXS2, QXU, QXW, QX2, QX22, QX26, QX4, QX7, RD, RD4, RH, RHA2, RHQ4, RH2, RH26, RMB4, RMG2, RSK, RSS1, RTB2, RX, RXE, RXE2, RXE4, RXU, RX4, SCJ, SD, SDS, SD16, SD4, SE, SG24, SH, SHM, SHQ4, SHRY, SJ, SJC1, SJC5, SJG, SMC7, SMC9, SMJ1, SMW2, SMX4, SM12, SM14, SNX, SNX1, SSK1, SSX2, ST, STQ, SWG4, SWX2, SWX4, SX, SXE, SXE4, SXS4, SXU, SX4, SX7, S1CY, TCS2, TX, TXC9, TXU, TX2, TX26, TX4, UXU, VA2, VEBM, VED, VED1, VED2, VED3, VED5, VED6, VEN2, VES, VGE4, VG24, VHA7, VHH4, VMS4, VMS7, VMT, VPM4, VPM5, VPM7, VPR4, VPR7, VSB1, VSD, VSD1, VSD7, VSG, VSX3, VS17, VS3, VS4, VTH4, VTU1, VWA2, VW12, VX, VXD, VXD1, VXE4, VXE7, VXM, VXU, VXU1, VXW2, VX2, VX4, WDA6, WJP, WKD6, WKT2, WKT4, WKT6, WMBO, WME2, WME4, WMT
	98079-56854	PLUG, SPARK (W20EP-U) (DENSO)	1	(1)	-----	BL, LA1, LHB3, LJS, LVL, LW2, QAB3, QT, QVL, RMD, SKM, SMJ, SM11, STM, VSX, VSX1



Ref. No.	Part No.	Description	Reqd. QTY		Serial No.	Parts catalogue code
			GX 160K1 (1)	GX 160K1 (2)		
15)	98079-56855	PLUG, SPARK (W20EPR-U) (DENSO)	1	-	-----	EMA2, HG12, HH, HHQ4, HH26, HX, HXE2, HXE8, HXU, HX2, HX26, HX4, KTA, LD, LH, LHQ4, LJ, LJC7, LJG, LSJ4, LX, LXU, LX2, LX26, LX4, NJ, NJC1, NJG, NSJ, PHM, PX, PXU, QAX2, QA2, QA26, QBC2, QBT6, QCB2, QCL, QD, QE, QFE4, QGR2, QGR9, QH, QHP1, QHQ4, QH2, QH26, QI2, QKA4, QME4, QMH, QMX2, QMZ2, QNT, QNT4, QP, QPU, QSC2, QSC9, QS2, QWA4, QWX2, QX, QXC, QXC6, QXC9, QXE, QXE2, QXE4, QXE6, QXE8, QXF2, QXM1, QXS2, QXU, QXW, QX2, QX22, QX26, QX4, QX7, RD, RD4, RH, RHA2, RHQ4, RH2, RH26, RMG2, RSK, RSS1, RTB2, RX, RXE, RXE2, RXE4, RXU, RX4, SCJ, SD, SDS, SD16, SD4, SE, SG24, SH, SHM, SHQ4, SHRY, SJ, SJC1, SJC5, SJG, SMJ1, SMW2, SMX4, SM12, SM14, SNX, SNX1, SSK1, SSX2, ST, STQ, SWG4, SWX2, SWX4, SX, SXE, SXE4, SXS4, SXU, SX4, SX7, S1CY, TCS2, TX, TXC9, TXU, TX2, TX26, TX4, UXU, VA2, VEBM, VED, VED1, VED2, VED3, VED5, VED6, VEN2, VES, VGE4, VG24, VHA7, VHH4, VMS4, VMS7, VMT, VPM4, VPM5, VPM7, VPR4, VPR7, VSB1, VSD, VSD1, VSD7, VSG, VSX3, VS17, VS3, VS4, VTH4, VTU1, VWA2, VW12, VX, VXD, VXD1, VXE4, VXE7, VXM, VXU, VXU1, VXW2, VX2, VX4, WKD6, WKT2, WKT4, WKT6, WME2, WMT



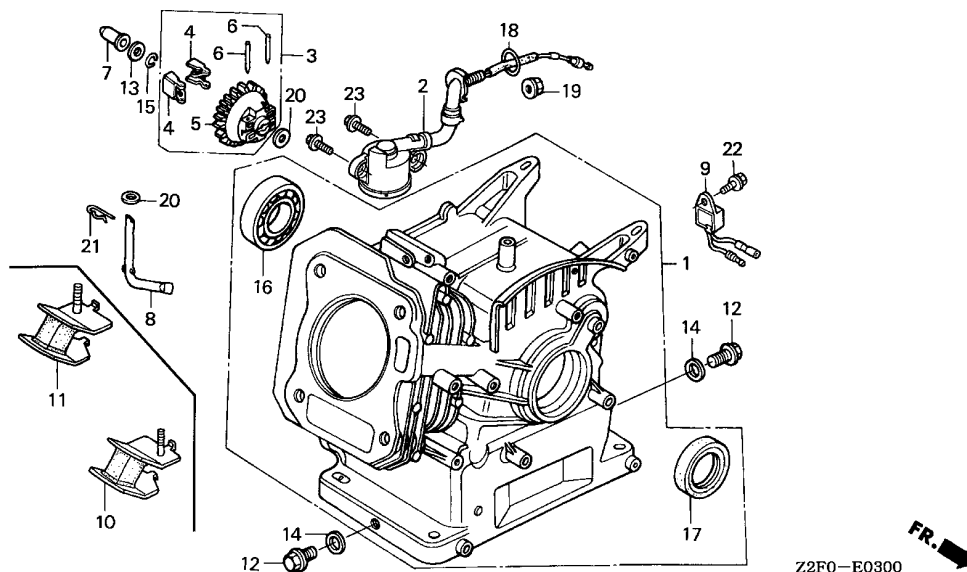
Service item	F.R.T.
ALERT UNIT, OIL	0.1
.WASHER, DRAIN PLUG, 10.2MM	
RUBBER, FR. BOTTOM	0.2
SLIDER, GOVERNOR	0.4
O-RING, 14MM	0.5
.SWITCH ASSY., OIL LEVEL	
SHAFT, GOVERNOR ARM	0.9
HOLDER, GOVERNOR WEIGHT	1.0
(INC. RELATIVE PART)	
OIL SEAL, 25X41X6	1.8
BEARING, RADIAL BALL	1.9
BARREL ASSY., CYLINDER	2.0

Z2F0-E0300

Ref. No.	Part No.	Description	Reqd. QTY		Serial No.	Parts catalogue code
			GX 160K1 (1)	GX 160K1 (2)		
1	12000-ZH8-425	BARREL ASSY., CYLINDER	1	-	-----	AR, ARC6, BL, HH, HHQ4, HH26, KR, KTA, LD, LH, LHB3, LHQ4, LJ, LJG, LJS, LSJ4, LVL, LW2, NJ, NJC1, NJG, NSJ, PHM, QAB3, QA2, QA26, QBC2, QCB2, QD, QE, QFE4, QH, QHE, QHP1, QHQ4, QH2, QH26, QMC6, QME4, QMZ2, QNZ, QP, QPU, QT, QVL, RD, RD4, RH, RHA2, RHQ4, RH2, RH26, RMB4, RMD, RMG2, RSK, RSS1, RTB2, SCJ, SD, SDS, SD16, SD4, SE, SH, SHM, SHQ4, SHRY, SJ, SJG, SM11, SSK1, ST, STM, STQ, S1CY, VED, WDA6, WJP, WMB0, WME4
	12000-ZH8-426	BARREL ASSY., CYLINDER (OIL ALERT)	1	-	-----	EMA2, HG12, HX, HXE2, HXE8, HXU, HX2, HX26, HX4, LA1, LJC7, LX, LXU, LX2, LX26, LX4, PX, PXU, QAX2, QBT6, QCL, QGR2, QGR9, QI2, QKA4, QMC8, QMD6, QMH, QMX2, QNT, QNT4, QSC2, QSC9, QS2, QWA4, QWX2, QX, QXC, QXC6, QXC9, QXE, QXE2, QXE4, QXE6, QXE8, QXF2, QXM1, QXS2, QXU, QXW, QX2, QX22, QX26, QX4, QX7, RX, RXE, RXE2, RXE4, RXU, RX4, SG24, SJC1, SJC5, SKM, SMC7, SMC9, SMJ, SMJ1, SMW2, SMX4, SM12, SM14, SNX, SNX1, SSS2, SWG4, SWX2, SWX4, SX, SXE, SXE4, SXS4, SXU, SX4, SX7, TCS2, TX, TXC9, TXU, TX2, TX26, TX4, UXU, VA2, VEBM, VED1, VED2, VED3, VED5, VED6, VEN2, VES, VGE4, VG24, VHA7, VHH4, VMS4, VMS7, VMT, VPM4, VPM5, VPM7, VPR4, VPR7, VSB1, VSD, VSD1, VSD7, VSG, VSX, VSX1, VSX3, VS17, VS3, VS4, VTH4, VTU1, VWA2, VW12, VX, VXD, VXD1, VXE4, VXE7, VXM, VXU, VXU1, VXW2, VX2, VX4, WKD6, WKT2, WKT4, WKT6, WME2, WMT

Ref. No.	Part No.	Description	Reqd. QTY		Serial No.	Parts catalogue code
			GX 160K1 (1)	GX 160K1 (2)		
2	15510-ZE1-033	SWITCH ASSY., OIL LEVEL	1	-	-----	EMA2, HG12, HX, HXE2, HXE8, HXU, HX2, HX26, HX4, LA1, LJC7, LX, LXU, LX2, LX26, LX4, PX, PXU, QAX2, QBT6, QCL, QGR2, QGR9, QI2, QKA4, QMC8, QMD6, QMH, QMX2, QNT, QNT4, QSC2, QSC9, QS2, QWA4, QWX2, QX, QXC, QXC6, QXC9, QXE, QXE2, QXE4, QXE6, QXE8, QXF2, QXM1, QXS2, QXU, QXW, QX2, QX22, QX26, QX4, QX7, RX, RXE, RXE2, RXE4, RXU, RX4, SG24, SJC1, SJC5, SKM, SMC7, SMC9, SMJ, SMJ1, SMW2, SMX4, SM12, SM14, SNX, SNX1, SSS2, SWG4, SWX2, SWX4, SX, SXE, SXE4, SXS4, SXU, SX4, SX7, TCS2, TX, TXC9, TXU, TX2, TX26, TX4, UXU, VA2, VEBM, VED1, VED2, VED3, VED5, VED6, VEN2, VES, VGE4, VG24, VHA7, VHH4, VMS4, VMS7, VMT, VPM4, VPM5, VPM7, VPR4, VPR7, VSB1, VSD, VSD1, VSD7, VSG, VSX, VSX1, VSX3, VS17, VS3, VS4, VTH4, VTU1, VWA2, VW12, VX, VXD, VXD1, VXE4, VXE7, VXM, VXU, VXW2, VX2, VX4, WKD6, WKT2, WKT4, WKT6, WME2, WMT
3	16506-ZL0-000	GOVERNOR ASSY.	1	(1)	-----	EMA2, VA2, VGE4, VHA7, VHH4, VMS4, VMS7, VMT, VPM4, VPM5, VPM7, VPR4, VPR7, VSD, VSD1, VSD7, VSG, VSX, VSX1, VSX3, VS17, VS3, VS4, VTH4, VTU1, VWA2, VW12, VX, VXD, VXD1, VXE4, VXE7, VXM, VXU1, VXW2, VX2, VX4
	16510-ZE1-000	1	-	-----	AR, ARC6, BL, HG12, HH, HHQ4, HH26, HX, HXE2, HXE8, HXU, HX2, HX26, HX4, KR, KTA, LA1, LD, LH, LHB3, LHQ4, LJ, LJC7, LJG, LJS, LSJ4, LVL, LW2, LX, LXU, LX2, LX26, LX4, NJ, NJC1, NJG, NSJ, PHM, PX, PXU, QAB3, QAX2, QA2, QA26, QBC2, QBT6, QCB2, QCL, QD, QE, QFE4, QGR2, QGR9, QH, QHE, QHP1, QHQ4, QH2, QH26, QI2, QKA4, QMC6, QMC8, QMD6, QME4, QMH, QMX2, QMZ2, QNT, QNT4, QNZ, QP, QPU, QSC2, QSC9, QS2, QT, QVL, QWA4, QWX2, QX, QXC, QXC6, QXC9, QXE, QXE2, QXE4, QXE6, QXE8, QXF2, QXM1, QXS2, QXU, QXW, QX2, QX22, QX26, QX4, QX7, RD, RD4, RH, RHA2, RHQ4, RH2, RH26, RMB4, RMD, RMG2, RSK, RSS1, RTB2, RX, RXE, RXE2, RXE4, RXU, RX4, SCJ, SD, SDS, SD16, SD4, SE, SG24, SH, SHM, SHQ4, SHRY, SJ, SJC1, SJC5, SJG, SKM, SMC7, SMC9, SMJ, SMJ1, SMW2, SMX4, SM11, SM12, SM14, SNX, SNX1, SSK1, SSS2, ST, STM, STQ, SWG4, SWX2, SWX4, SX, SXE, SXE4, SXS4, SXU, SX4, SX7, S1CY, TCS2, TX, TXC9, TXU, TX2, TX26, TX4, UXU, VEBM, VED, VED1, VED2, VED3, VED5, VED6, VEN2, VES, VG24, VSB1, VXU1, WDA6, WJP, WKD6, WKT2, WKT4, WKT6, WMBO, WME2, WME4
	16510-ZH8-940	-	1	-----	WMT
4	16511-ZE1-000	WEIGHT, GOVERNOR	2	-	-----	AR, ARC6, BL, HG12, HH, HHQ4, HH26, HX, HXE2, HXE8, HXU, HX2, HX26, HX4, KR, KTA, LA1, LD, LH, LHB3, LHQ4, LJ, LJC7, LJG, LJS, LSJ4, LVL, LW2, LX, LXU, LX2, LX26, LX4, NJ, NJC1, NJG, NSJ, PHM, PX, PXU, QAB3, QAX2, QA2, QA26, QBC2, QBT6, QCB2, QCL, QD, QE, QFE4, QGR2, QGR9, QH, QHE, QHP1, QHQ4, QH2, QH26, QI2, QKA4, QMC6, QMC8, QMD6, QME4, QMH, QMX2, QMZ2, QNT, QNT4, QNZ, QP, QPU, QSC2, QSC9, QS2, QT, QVL, QWA4, QWX2, QX, QXC, QXC6, QXC9, QXE, QXE2, QXE4, QXE6, QXE8, QXF2, QXM1, QXS2, QXU, QXW, QX2, QX22, QX26, QX4, QX7, RD, RD4, RH, RHA2, RHQ4, RH2, RH26, RMB4, RMD, RMG2, RSK, RSS1, RTB2, RX, RXE, RXE2, RXE4, RXU, RX4, SCJ, SD, SDS, SD16, SD4, SE, SG24, SH, SHM, SHQ4, SHRY, SJ, SJC1, SJC5, SJG, SKM, SMC7, SMC9, SMJ, SMJ1, SMW2, SMX4, SM11, SM12, SM14, SNX, SNX1, SSK1, SSS2, ST, STM, STQ, SWG4, SWX2, SWX4, SX, SXE, SXE4, SXS4, SXU, SX4, SX7, S1CY, TCS2, TX, TXC9, TXU, TX2, TX26, TX4, UXU, VEBM, VED, VED1, VED2, VED3, VED5, VED6, VEN2, VES, VG24, VSB1, VXU1, WDA6, WJP, WKD6, WKT2, WKT4, WKT6, WMBO, WME2, WME4
5	16512-ZE1-000	HOLDER, GOVERNOR WEIGHT	1	2	-----	AR, ARC6, BL, HG12, HH, HHQ4, HH26, HX, HXE2, HXE8, HXU, HX2, HX26, HX4, KR, KTA, LA1, LD, LH, LHB3, LHQ4, LJ, LJC7, LJG, LJS, LSJ4, LVL, LW2, LX, LXU, LX2, LX26, LX4, NJ, NJC1, NJG, NSJ, PHM, PX, PXU, QAB3, QAX2, QA2, QA26, QBC2, QBT6, QCB2, QCL, QD, QE, QFE4, QGR2, QGR9, QH, QHE, QHP1, QHQ4, QH2, QH26, QI2, QKA4, QMC6, QMC8, QMD6, QME4, QMH, QMX2, QMZ2, QNT, QNT4, QNZ, QP, QPU, QSC2, QSC9, QS2, QT, QVL, QWA4, QWX2, QX, QXC, QXC6, QXC9, QXE, QXE2, QXE4, QXE6, QXE8, QXF2, QXM1, QXS2, QXU, QXW, QX2, QX22, QX26, QX4, QX7, RD, RD4, RH, RHA2, RHQ4, RH2, RH26, RMB4, RMD, RMG2, RSK, RSS1, RTB2, RX, RXE, RXE2, RXE4, RXU, RX4, SCJ, SD, SDS, SD16, SD4, SE, SG24, SH, SHM, SHQ4, SHRY, SJ, SJC1, SJC5, SJG, SKM, SMC7, SMC9, SMJ, SMJ1, SMW2, SMX4, SM11, SM12, SM14, SNX, SNX1, SSK1, SSS2, ST, STM, STQ, SWG4, SWX2, SWX4, SX, SXE, SXE4, SXS4, SXU, SX4, SX7, S1CY, TCS2, TX, TXC9, TXU, TX2, TX26, TX4, UXU, VEBM, VED, VED1, VED2, VED3, VED5, VED6, VEN2, VES, VG24, VSB1, VXU1, WDA6, WJP, WKD6, WKT2, WKT4, WKT6, WMBO, WME2, WME4, WMT
			-	1	-----	



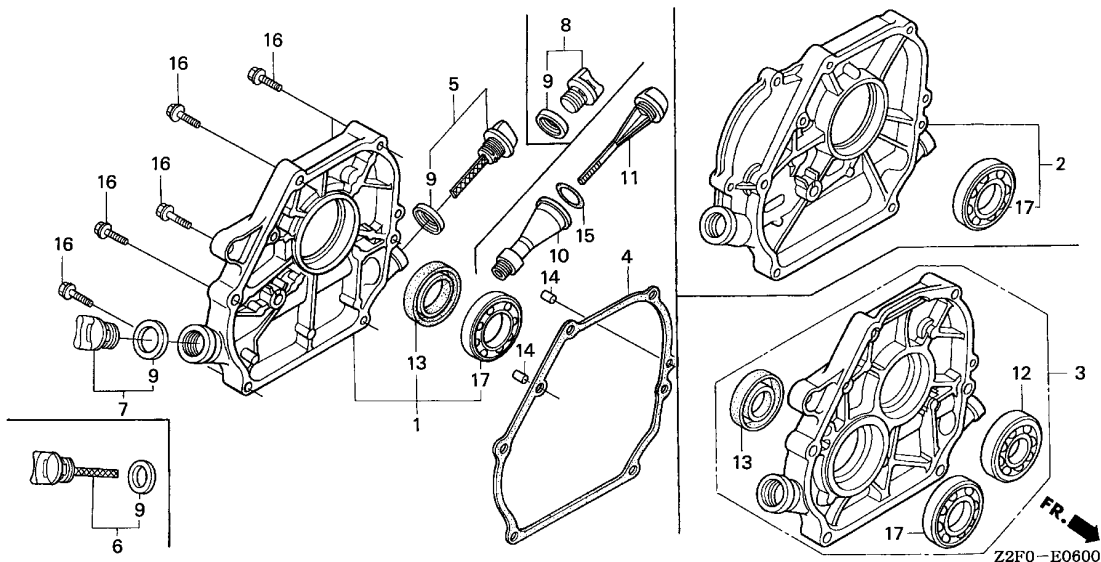


2

Ref. No.	Part No.	Description	Reqd. QTY		Serial No.	Parts catalogue code
			GX 160K1 (1)	GX 160K1 (2)		
6	16513-ZE1-000	PIN, GOVERNOR WEIGHT	2	-	-----	AR,ARC6,BL,HG12,HH,HHQ4,HH26,HX,HXE2,HXE8,HXU,HX2,HX26,HX4,KR,KTA,LA1 LD,LH,LHB3,LHQ4,LJ,LJC7,LJG,LJS,LSJ4,LVL,LW2,LX,LXU,LX2,LX26,LX4,NJ NJC1,NJG,NSJ,PHM,PX,PXU,QAB3,QAX2,QA2,QA26,QBC2,QBT6,QCB2,QCL,QD,QE QFE4,QGR2,QGR9,QH,QHE,QHP1,QHQ4,QH2,QH26,QI2,QKA4,QMC6,QMC8,QMD6,QME4 QMH,QMX2,QMZ2,QNT,QNT4,QNZ,QP,QPU,QSC2,QSC9,QS2,QT,QVL,QWA4,QWX2,QX QXC,QXC6,QXC9,QXE,QXE2,QXE4,QXE6,QXE8,QXF2,QXM1,QXS2,QXU,QXW,QX2,QX22 QX26,QX4,QX7,RD,RD4,RH,RHA2,RHQ4,RH2,RH26,RMB4,RMD,RMG2,RSK,RSS1,RTB2 RX,RXE,RXE2,RXE4,RXU,RX4,SCJ,SD,SDS,SD16,SD4,SE,SG24,SH,SHM,SHQ4,SHRY SJ,SJC1,SJC5,SJG,SKM,SMC7,SMC9,SMJ,SMJ1,SMW2,SMX4,SM11,SM12,SM14,SNX SNX1,SSK1,SSX2,ST,STM,STQ,SWG4,SWX2,SWX4,SX,SXE,SXE4,SXS4,SXU,SX4,SX7 S1CY,TCS2,TX,TXC9,TXU,TX2,TX26,TX4,UXU,VEBM,VED,VED1,VED2,VED3,VED5 VED6,VEN2,VES,VG24,VMT,VS1,VSU1,WDA6,WJP,WK6,WKT2,WKT4,WKT6,WMB0 WME2,WME4,WMT
7	16531-ZE1-000	SLIDER, GOVERNOR	-	2		
8	16541-ZE1-000	SHAFT, GOVERNOR ARM	1	1		
9	34150-ZH7-003	ALERT UNIT, OIL	1	-	-----	SKM,SNX1,SWG4,VTH4
10	68326-ZB2-000	RUBBER, FR. BOTTOM	2	-	-----	VS1,VSG,VSX,VSX1,VSX3,VS3,VS4
11	68327-ZB2-000	RUBBER, RR. BOTTOM	2	-	-----	VS1,VSG,VSX,VSX1,VSX3,VS3,VS4
	68327-898-000	2	-	-----	SKM
	68328-ZB2-000	RUBBER, BOTTOM	2	-	-----	NJC1
12	90131-ZE1-000	BOLT, DRAIN PLUG	2	2		
13	90451-ZE1-000	WASHER, THRUST, 6MM	1	1		
14	90601-ZE1-000	WASHER, DRAIN PLUG, 10.2MM ..	2	2		
15	90602-ZE1-000	CLIP, GOVERNOR HOLDER	1	1		

Ref. No.	Part No.	Description	Reqd. QTY		Serial No.	Parts catalogue code
			GX 160K1 (1)	GX 160K1 (2)		
16	91001-ZF1-003	BEARING, RADIAL BALL (6205TMB) (NTN)	1	1		
	91001-ZF1-004	BEARING, RADIAL BALL (6205SH) (KOYO)	1	1		
17	91201-ZOT-801	OIL SEAL, 25X41X6	1	1		
18	91353-671-004	O-RING, 14MM(NOK)	1	-	-----	EMA2, HG12, HX, HXE2, HXE8, HXU, HX2, HX26, HX4, LA1, LJC7, LX, LXU, LX2, LX26, LX4, PX, PXU, QAX2, QBT6, QCL, QGR2, QGR9, QI2, QKA4, QMC8, QMD6, QMH, QMX2, QNT, QNT4, QSC2, QSC9, QS2, QWA4, QWX2, QX, QXC, QXC6, QXC9, QXE, QXE2, QXE4, QXE6, QXE8, QXF2, QXM1, QXS2, QXU, QXW, QX2, QX22, QX26, QX4, QX7, RX, RXE, RXE2, RXE4, RXU, RX4, SG24, SJC1, SJC5, SKM, SMC7, SMC9, SMJ, SMJ1, SMW2, SMX4, SM12, SM14, SNX, SNX1, SSSX2, SWG4, SWX2, SWX4, SX, SXE, SXE4, SXS4, SXU, SX4, SX7, TCS2, TX, TXC9, TXU, TX2, TX26, TX4, UXU, VA2, VEBM, VED1, VED2, VED3, VED5, VED6, VEN2, VES, VGE4, VG24, VHA7, VHH4, VMS4, VMS7, VMT, VPM4, VPM5, VPM7, VPR4, VPR7, VSB1, VSD, VSD1, VSD7, VSG, VSX, VSX1, VSX3, VS17, VS3, VS4, VTH4, VTU1, VWA2, VW12, VX, VXD, VXD1, VXE4, VXE7, VXM, VXU, VXU1, VXW2, VX2, VX4, WKD6, WKT2, WKT4, WKT6, WME2, WMT
19	94050-10000	NUT, FLANGE, 10MM	1	-	-----	EMA2, HG12, HX, HXE2, HXE8, HXU, HX2, HX26, HX4, LA1, LJC7, LX, LXU, LX2, LX26, LX4, PX, PXU, QAX2, QBT6, QCL, QGR2, QGR9, QI2, QKA4, QMC8, QMD6, QMH, QMX2, QNT, QNT4, QSC2, QSC9, QS2, QWA4, QWX2, QX, QXC, QXC6, QXC9, QXE, QXE2, QXE4, QXE6, QXE8, QXF2, QXM1, QXS2, QXU, QXW, QX2, QX22, QX26, QX4, QX7, RX, RXE, RXE2, RXE4, RXU, RX4, SG24, SJC1, SJC5, SKM, SMC7, SMC9, SMJ, SMJ1, SMW2, SMX4, SM12, SM14, SNX, SNX1, SSSX2, SWG4, SWX2, SWX4, SX, SXE, SXE4, SXS4, SXU, SX4, SX7, TCS2, TX, TXC9, TXU, TX2, TX26, TX4, UXU, VA2, VEBM, VED1, VED2, VED3, VED5, VED6, VEN2, VES, VGE4, VG24, VHA7, VHH4, VMS4, VMS7, VMT, VPM4, VPM5, VPM7, VPR4, VPR7, VSB1, VSD, VSD1, VSD7, VSG, VSX, VSX1, VSX3, VS17, VS3, VS4, VTH4, VTU1, VWA2, VW12, VX, VXD, VXD1, VXE4, VXE7, VXM, VXU, VXU1, VXW2, VX2, VX4, WKD6, WKT2, WKT4, WKT6, WME2, WMT
20	94101-06800	WASHER, PLAIN, 6MM	2	2		
21	94251-08000	PIN, LOCK, 8MM	1	1		
22	95701-06008-00	BOLT, FLANGE, 6X8	1	-	-----	SKM, SNX1, SWG4, VTH4
23	95701-06012-00	BOLT, FLANGE, 6X12	2	-	-----	EMA2, HG12, HX, HXE2, HXE8, HXU, HX2, HX26, HX4, LA1, LJC7, LX, LXU, LX2, LX26, LX4, PX, PXU, QAX2, QBT6, QCL, QGR2, QGR9, QI2, QKA4, QMC8, QMD6, QMH, QMX2, QNT, QNT4, QSC2, QSC9, QS2, QWA4, QWX2, QX, QXC, QXC6, QXC9, QXE, QXE2, QXE4, QXE6, QXE8, QXF2, QXM1, QXS2, QXU, QXW, QX2, QX22, QX26, QX4, QX7, RX, RXE, RXE2, RXE4, RXU, RX4, SG24, SJC1, SJC5, SKM, SMC7, SMC9, SMJ, SMJ1, SMW2, SMX4, SM12, SM14, SNX, SNX1, SSSX2, SWG4, SWX2, SWX4, SX, SXE, SXE4, SXS4, SXU, SX4, SX7, TCS2, TX, TXC9, TXU, TX2, TX26, TX4, UXU, VA2, VEBM, VED1, VED2, VED3, VED5, VED6, VEN2, VES, VGE4, VG24, VHA7, VHH4, VMS4, VMS7, VMT, VPM4, VPM5, VPM7, VPR4, VPR7, VSB1, VSD, VSD1, VSD7, VSG, VSX, VSX1, VSX3, VS17, VS3, VS4, VTH4, VTU1, VWA2, VW12, VX, VXD, VXD1, VXE4, VXE7, VXM, VXU, VXU1, VXW2, VX2, VX4, WKD6, WKT2, WKT4, WKT6, WME2, WMT



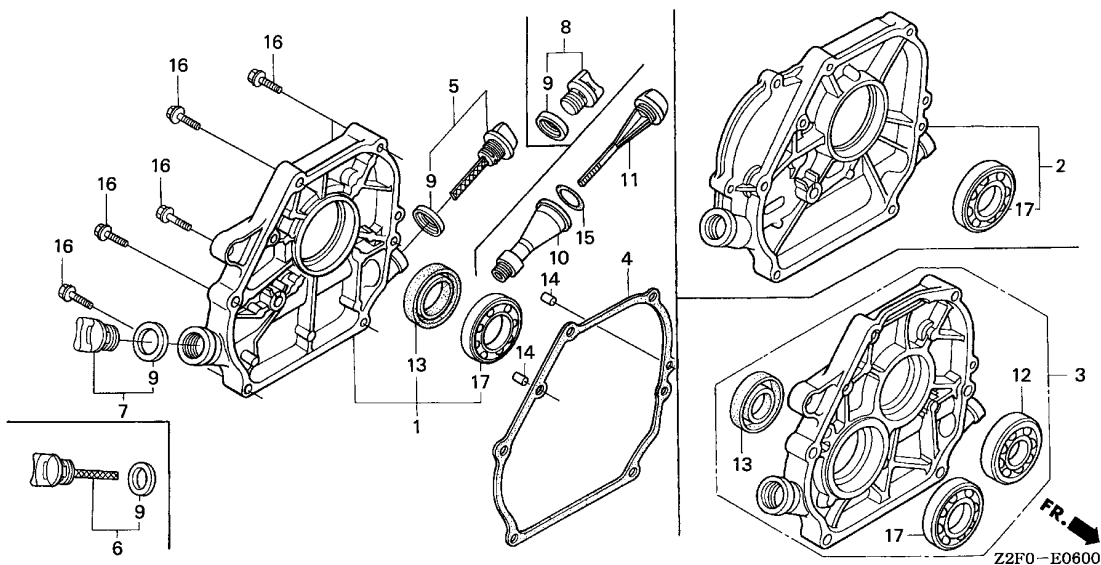


Service item	F.R.T.
COVER ASSY., CRANKCASE	0.2
.PACKING, CASE COVER	
OIL SEAL, 25X41X6	0.3
BEARING, RADIAL BALL, 6205 ...	0.4
.BEARING, RADIAL BALL, 6304	

Ref. No.	Part No.	Description	Reqd. QTY		Serial No.	Parts catalogue code
			GX 160K1 (1)	GX 160K1 (2)		
1	11300-ZE1-020	COVER ASSY., CRANKCASE	1	1	-----	RD, RD4, RH, RHA2, RHQ4, RH2, RH26, RMB4, RMD, RMG2, RSK, RSS1, RTB2, RX, RXE, RXE2, RXE4, RXU, RX4, R1, SWX2, SWX4
	11300-ZE1-634	1	1	-----	BL, EMA2, HG12, HH, HHQ4, HH26, HX, HXE2, HXE8, HXU, HX2, HX26, HX4, KTA, SCJ, SD, SDS, SD16, SD4, SE, SG24, SH, SHM, SHQ4, SHRY, SJ, SJC1, SJC5, SJG, SKM, SMC7, SMC9, SMJ, SMJ1, SMW2, SMX4, SM11, SM12, SM14, SNX, SNX1, SSK1, SSX2, ST, STM, STQ, SWG4, SX, SXE, SXE4, SXS4, SXU, SX4, SX7, S1, S1CY, VED, VED1, VED2, VED3, VED5, VED6, VEN2, VES, VSB1, VSG, VSX, VSX1, VSX3, VS3, VS4, VXD, VXD1, WDA6, WJP, WKD6, WKT2, WKT4, WKT6, WMB0, WME2, WME4, WMT, W1
	11300-ZE1-642	1	1	-----	PHM, PX, PXU, QAB3, QAX2, QA2, QA26, QBC2, QBT6, QCB2, QCL, QD, QE, QFE4, QGR2, QGR9, QH, QHE, QHP1, QHQ4, QH2, QH26, QI2, QKA4, QMC6, QMC8, QMD6, QME4, QMH, QMX2, QMZ2, QNT, QNT4, QNZ, QP, QPU, QSC2, QSC9, QS2, QT, QVL, QWA4, QWX2, QX, QXC, QXC6, QXC9, QXE, QXE2, QXE4, QXE6, QXE8, QXF2, QXM1, QXS2, QXU, QXW, QX2, QX22, QX26, QX4, QX7, Q1, TCS2, TX, TXC9, TXU, TX2, TX26, TX4, UXU, VA2, VEBM, VGE4, VG24, VHA7, VHH4, VMS4, VMS7, VPM4, VPM5, VPM7, VPR4, VPR7, VSD, VSD1, VSD7, VS17, VTH4, VTU1, VWA2, VW12, VX, VXE4, VXE7, VXM, VXU, VXU1, VXW2, VX2, VX4
2	11300-ZE1-613	COVER ASSY., CRANKCASE	1	1	-----	LA1, LD, LH, LHB3, LHQ4, LJ, LJC7, LJG, LJS, LSJ4, LVL, LW2, LX, LXU, LX2, LX26, LX4, L1
3	11300-ZLO-691	COVER ASSY., CRANKCASE	1	-	-----	NJ, NJC1, NJG, NSJ

Ref. No.	Part No.	Description	Reqd. QTY		Serial No.	Parts catalogue code
			GX 160K1 (1)	GX 160K1 (2)		
4	11381-ZH8-801	PACKING, CASE COVER (NON ASBEST)	1	-	-----	BL, EMA2, HG12, HH, HHQ4, HH26, HX, HXE2, HXE8, HXU, HX2, HX26, HX4, KTA, LA1, LD, LH LHB3, LHQ4, LJ, LJC7, LJG, LJS, LSJ4, LVL, LW2, LX, LXU, LX2, LX26, LX4, NJ, NJC1 NJG, NSJ, PHM, PX, PXU, QAB3, QAX2, QA2, QA26, QBC2, QBT6, QCL, QD, QE, QFE4, QGR2 QGR9, QH, QHE, QHP1, QHQ4, QH2, QH26, QI2, QKA4, QMC6, QMC8, QMD6, QME4, QMH, QMX2 QMZ2, QNT, QNT4, QNZ, QP, QPU, QSC2, QSC9, QS2, QT, QVL, QWA4, QWX2, QX, QXC, QXC6 QXC9, QXE, QXE2, QXE4, QXE6, QXE8, QXF2, QXM1, QXS2, QXU, QXW, QX2, QX22, QX26, QX4 QX7, SCJ, SD, SDS, SD16, SD4, SE, SG24, SH, SHM, SHQ4, SHRY, SJ, SJC1, SJC5, SJG, SKM SMC7, SMC9, SMJ, SMJ1, SMW2, SMX4, SM11, SM12, SM14, SNX, SNX1, SSK1, SSSX2, ST, STM STQ, SWG4, SWX2, SWX4, SX, SXE, SXE4, SXS4, SXU, SX4, SX7, S1CY, TCS2, TX, TXC9, TXU TX2, TX26, TX4, UXU, VA2, VEBM, VED, VED1, VED2, VED3, VED5, VED6, VEN2, VES, VGE4 VG24, VHA7, VHH4, VMS4, VMS7, VMT, VPM4, VPM5, VPM7, VPR4, VPR7, VSB1, VSD, VSD1 VSD7, VSG, VSX, VSX1, VSX3, VS17, VS3, VS4, VTH4, VTU1, VWA2, VW12, VX, VXD, VXD1 VXE4, VXE7, VXM, VXU, VXU1, VXW2, VX2, VX4, WDA6, WJP, WKD6, WKT2, WKT4, WKT6, WMBO WME2, WME4, WMT
	11381-ZLO-000	PACKING, CASE COVER	1	-	-----	QCB2, RD, RD4, RH, RHA2, RHQ4, RH2, RH26, RMB4, RMD, RMG2, RSK, RSS1, RTB2, RX, RXE RXE2, RXE4, RXU, RX4
5	15600-ZE1-003	CAP ASSY., OIL FILLER (GRAY)	1	-	-----	BL, EMA2, HG12, HH, HHQ4, HH26, HX, HXE2, HXE8, HXU, HX2, HX26, HX4, KTA, LA1, LD, LH LHB3, LHQ4, LJ, LJC7, LJG, LJS, LSJ4, LVL, LX, LXU, LX2, LX26, LX4, NJ, NJC1, NJG NSJ, PHM, PX, PXU, QAB3, QAX2, QA2, QA26, QBC2, QBT6, QCB2, QCL, QD, QE, QFE4, QGR2 QGR9, QH, QHE, QHP1, QHQ4, QH2, QH26, QI2, QKA4, QMC6, QMC8, QMD6, QME4, QMH, QMX2 QMZ2, QNT, QNT4, QNZ, QP, QPU, QSC2, QSC9, QS2, QVL, QWA4, QWX2, QX, QXC, QXC6, QXC9 QXE, QXE2, QXE4, QXE6, QXE8, QXF2, QXM1, QXS2, QXU, QXW, QX2, QX22, QX26, QX4, QX7 RD, RD4, RH, RHA2, RHQ4, RH2, RH26, RMB4, RMD, RMG2, RSK, RSS1, RTB2, RX, RXE, RXE2 RXE4, RXU, RX4, SCJ, SD, SD16, SD4, SE, SG24, SH, SHM, SHQ4, SHRY, SJ, SJC1, SJC5 SJG, SMC7, SMC9, SMJ, SMJ1, SMW2, SMX4, SM11, SM12, SM14, SNX, SNX1, SSK1, SSSX2, ST STM, STQ, SWG4, SWX2, SWX4, SX, SXE, SXE4, SXS4, SXU, SX4, SX7, S1CY, TCS2, TX, TXC9 TXU, TX2, TX26, TX4, UXU, VA2, VEBM, VED, VED1, VED2, VED3, VED5, VED6, VEN2, VES VGE4, VG24, VHA7, VHH4, VMS4, VMS7, VPM4, VPM5, VPM7, VPR4, VPR7, VSB1, VSD, VSD1 VSD7, VSG, VSX, VSX1, VSX3, VS17, VS3, VS4, VTH4, VTU1, VWA2, VW12, VX, VXD, VXD1 VXE4, VXE7, VXM, VXU, VXU1, VXW2, VX2, VX4, WDA6, WJP, WKD6, WKT2, WKT4, WKT6, WMBO WME2, WME4, WMT
	15600-ZFO-003	CAP ASSY., OIL FILLER	1	-	-----	LW2, QT, SDS
6	15600-ZE1-003	CAP ASSY., OIL FILLER (GRAY)	1	-	-----	SMJ1, SWX2, SWX4
7	15600-ZG4-003	CAP ASSY., OIL FILLER	1	-	-----	BL, EMA2, HG12, HH, HHQ4, HH26, HX, HXE2, HXE8, HXU, HX2, HX26, HX4, KTA, LA1, LD, LH LHB3, LHQ4, LJ, LJC7, LJG, LJS, LSJ4, LVL, LW2, LX, LXU, LX2, LX26, LX4, NJ, NJC1 NJG, NSJ, PHM, PX, PXU, QAB3, QAX2, QA2, QA26, QBC2, QBT6, QCB2, QCL, QD, QE, QFE4 QGR2, QGR9, QH, QHE, QHP1, QHQ4, QH2, QH26, QI2, QKA4, QMC6, QMC8, QMD6, QME4, QMH QMX2, QMZ2, QNT, QNT4, QNZ, QP, QPU, QSC2, QSC9, QS2, QT, QVL, QWA4, QWX2, QX, QXC QXC6, QXC9, QXE, QXE2, QXE4, QXE6, QXE8, QXF2, QXM1, QXS2, QXU, QXW, QX2, QX22 QX26, QX4, QX7, RD, RD4, RH, RHA2, RHQ4, RH2, RH26, RMB4, RMD, RMG2, RSK, RSS1, RTB2 RX, RXE, RXE2, RXE4, RXU, RX4, SCJ, SD, SDS, SD16, SD4, SE, SG24, SH, SHM, SHQ4, SHRY SJ, SJC1, SJC5, SJG, SKM, SMC7, SMC9, SMJ, SMW2, SMX4, SM11, SM12, SM14, SNX, SNX1 SSK1, SSSX2, ST, STM, STQ, SWG4, SWX2, SWX4, SX, SXE, SXE4, SXS4, SXU, SX4, SX7, S1CY TCS2, TX, TXC9, TXU, TX2, TX26, TX4, UXU, VA2, VEBM, VED, VED1, VED2, VED3, VED5 VED6, VEN2, VES, VGE4, VG24, VHA7, VHH4, VMS4, VMS7, VPM4, VPM5, VPM7, VPR4, VPR7 VSB1, VSD, VSD1, VSD7, VSG, VSX, VSX1, VSX3, VS17, VS3, VS4, VTH4, VTU1, VWA2, VW12 VX, VXD, VXD1, VXE4, VXE7, VXM, VXU, VXU1, VXW2, VX2, VX4, WDA6, WJP, WKD6, WKT2 WKT4, WKT6, WMBO, WME2, WME4, WMT
8	15600-ZG4-003	CAP ASSY., OIL FILLER	1	-	-----	SWX2, SWX4

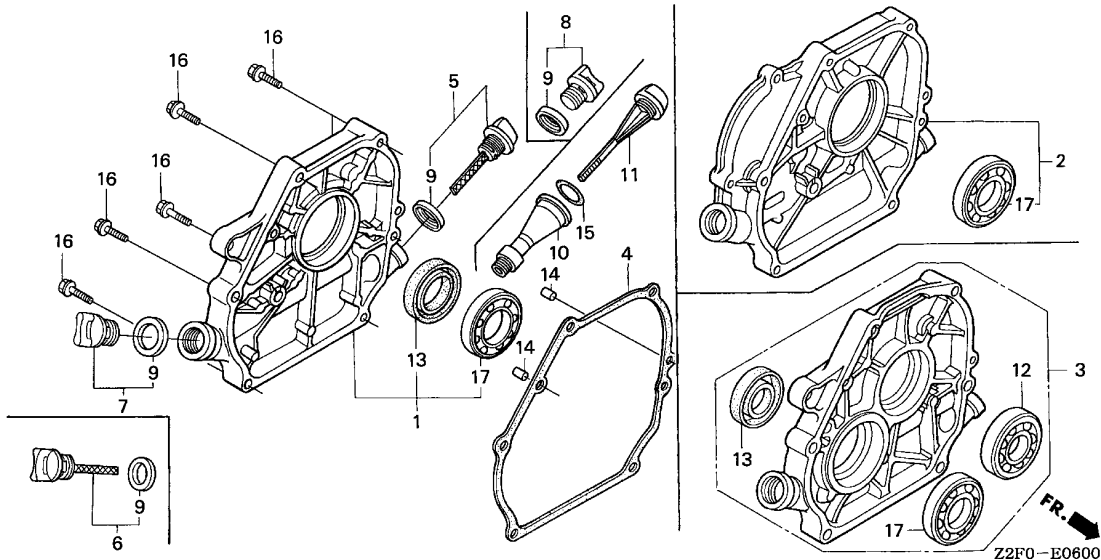




Ref. No.	Part No.	Description	Reqd. QTY		Serial No.	Parts catalogue code
			GX 160K1 (1)	GX 160K1 (2)		
9	15625-ZE1-003	PACKING, OIL FILLER CAP	1	-	-----	SKM
			2	-	-----	BL, EMA2, HG12, HH, HHQ4, HH26, HX, HXE2, HXE8, HXU, HX2, HX26, HX4, KTA, LA1, LD, LH, LHB3, LHQ4, LJ, LJC7, LJG, LJS, LSJ4, LVL, LW2, LX, LXU, LX2, LX26, LX4, NJ, NJC1, NJG, NSJ, PHM, PX, PXU, QAB3, QAX2, QA2, QA26, QBC2, QBT6, QCB2, QCL, QD, QE, QFE4, QGR2, QGR9, QH, QHE, QHP1, QHQ4, QH2, QH26, QI2, QKA4, QMC6, QMC8, QMD6, QME4, QMH, QMX2, QMZ2, QNT, QNT4, QNZ, QP, QPU, QSC2, QSC9, QS2, QT, QVL, QWA4, QWX2, QX, QXC, QXC6, QXC9, QXE, QXE2, QXE4, QXE6, QXE8, QXF2, QXM1, QXS2, QXU, QXW, QX2, QX22, QX26, QX4, QX7, RD, RD4, RH, RHA2, RHQ4, RH2, RH26, RMB4, RMD, RMG2, RSK, RSS1, RTB2, RX, RXE, RXE2, RXE4, RXU, RX4, SCJ, SD, SDS, SD16, SD4, SE, SG24, SH, SHM, SHQ4, SHRY, SJ, SJC1, SJC5, SJG, SMC7, SMC9, SMJ, SMJ1, SMW2, SMX4, SM11, SM12, SM14, SNX, SNX1, SSK1, SSS2, ST, STM, STQ, SWG4, SWX2, SWX4, SX, SXE, SXE4, SXS4, SXU, SX4, SX7, S1CY, TCS2, TX, TXC9, TXU, TX2, TX26, TX4, UXU, VA2, VEBM, VED, VED1, VED2, VED3, VED5, VED6, VEN2, VES, VGE4, VG24, VHA7, VHH4, VMS4, VMS7, VPM4, VPM5, VPM7, VPR4, VPR7, VSB1, VSD, VSD1, VSD7, VSG, V SX, VSX1, VSX3, VS17, VS3, VS4, VTH4, VTU1, VWA2, VW12, VX, VXD, VXD1, VXE4, VXE7, VXM, VXU, VXU1, VXW2, VX2, VX4, WDA6, WJP, WKD6, WKT2, WKT4, WKT6, WMB0, WME2, WME4, WMT
10	15640-730-010	PIPE, OIL FILLER	1	-	-----	SKM
11	15650-730-000	GAUGE, OIL LEVEL	1	-	-----	SKM
12	91001-GF6-004	BEARING, RADIAL BALL, 6304 ..	1	-	-----	NJ, NJC1, NJG, NSJ

Ref. No.	Part No.	Description	Reqd. QTY		Serial No.	Parts catalogue code
			GX 160K1 (1)	GX 160K1 (2)		
13	91201-Z0T-801	OIL SEAL, 25X41X6	1	1	-----	BL,EMA2,HG12,HH,HHQ4,HH26,HX,HXE2,HXE8,HXU,HX2,HX26,HX4,KTA,NJ,NJC1,NJG,NSJ,PHM,PX,PXU,QAB3,QAX2,QA2,QA26,QBC2,QBT6,QCB2,QCL,QD,QE,QFE4,QGR2,QGR9,QH,QHE,QHP1,QHQ4,QH2,QH26,QI2,QKA4,QMC6,QMC8,QMD6,QME4,QMH,QMX2,QMZ2,QNT,QNT4,QNZ,QP,QPU,QSC2,QSC9,QS2,QT,QVL,QWA4,QWX2,QX,QXC,QXC6,QXC9,QXE,QXE2,QXE4,QXE6,QXE8,QXF2,QXM1,QXS2,QXU,QXW,QX2,QX22,QX26,QX4,QX7,Q1,RD,RD4,RH,RHA2,RHQ4,RH2,RH26,RMB4,RMD,RMG2,RSK,RSS1,RTB2,RX,RXE,RXE2,RXE4,RXU,RX4,R1,SCJ,SD,SDS,SD16,SD4,SE,SG24,SH,SHM,SHQ4,SHRY,SJ,SJC1,SJC5,SJG,SKM,SMC7,SMC9,SMJ,SMJ1,SMW2,SMX4,SM11,SM12,SM14,SNX,SNX1,SSK1,SSX2,ST,STM,STQ,SWG4,SWX2,SWX4,SX,SXE,SXE4,SXS4,SXU,SX4,SX7,S1,S1CY,TCS2,TX,TXC9,TXU,TX2,TX26,TX4,UXU,VA2,VEBM,VED,VED1,VED2,VED3,VED5,VED6,VEN2,VES,VGE4,VG24,VHA7,VHH4,VMS4,VMS7,VPM4,VPM5,VPM7,VPR4,VPR7,VSB1,VSD,VSD1,VSD7,VSG,VSX,VSX1,VSX3,VS17,VS3,VS4,VTH4,VTU1,VWA2,VW12,VX,VXD,VXD1,VXE4,VXE7,VXM,VXU,VXU1,VXW2,VX2,VX4,WDA6,WJP,WKD6,WKT4,WKT6,WMB0,WME2,WME4,WMT,W1
14	94301-08140	DOWEL PIN, 8X14	2	-	-----	BL,EMA2,HG12,HH,HHQ4,HH26,HX,HXE2,HXE8,HXU,HX2,HX26,HX4,KTA,LA1,LD,LH,LHB3,LHQ4,LJ,LJC7,LJG,LJS,LSJ4,LVL,LW2,LX,LXU,LX2,LX26,LX4,NJ,NJC1,NJG,NSJ,PHM,PX,PXU,QAB3,QAX2,QA2,QA26,QBC2,QBT6,QCB2,QCL,QD,QE,QFE4,QGR2,QGR9,QH,QHE,QHP1,QHQ4,QH2,QH26,QI2,QKA4,QMC6,QMC8,QMD6,QME4,QMH,QMX2,QMZ2,QNT,QNT4,QNZ,QP,QPU,QSC2,QSC9,QS2,QT,QVL,QWA4,QWX2,QX,QXC,QXC6,QXC9,QXE,QXE2,QXE4,QXE6,QXE8,QXF2,QXM1,QXS2,QXU,QXW,QX2,QX22,QX26,QX4,QX7,RD,RD4,RH,RHA2,RHQ4,RH2,RH26,RMB4,RMD,RMG2,RSK,RSS1,RTB2,RX,RXE,RXE2,RXE4,RXU,RX4,SCJ,SD,SDS,SD16,SD4,SE,SG24,SH,SHM,SHQ4,SHRY,SJ,SJC1,SJC5,SJG,SKM,SMC7,SMC9,SMJ,SMJ1,SMW2,SMX4,SM11,SM12,SM14,SNX,SNX1,SSK1,SSX2,ST,STM,STQ,SWG4,SWX2,SWX4,SX,SXE,SXE4,SXS4,SXU,SX4,SX7,S1CY,TCS2,TX,TXC9,TXU,TX2,TX26,TX4,UXU,VA2,VEBM,VED,VED1,VED2,VED3,VED5,VED6,VEN2,VES,VGE4,VG24,VHA7,VHH4,VMS4,VMS7,VMT,VPM4,VPM5,VPM7,VPR4,VPR7,VSB1,VSD,VSD1,VSD7,VSG,VSX,VSX1,VSX3,VS17,VS3,VS4,VTH4,VTU1,VWA2,VW12,VX,VXD,VXD1,VXE4,VXE7,VXM,VXU,VXU1,VXW2,VX2,VX4,WDA6,WJP,WKD6,WKT2,WKT4,WKT6,WMB0,WME2,WME4,WMT
15	94608-50000	O-RING, 23X2.8	-	2	-----	SKM
16	95701-08032-00	BOLT, FLANGE, 8X32	6	-	-----	BL,EMA2,HG12,HH,HHQ4,HH26,HX,HXE2,HXE8,HXU,HX2,HX26,HX4,KTA,LA1,LD,LH,LHB3,LHQ4,LJ,LJC7,LJG,LJS,LSJ4,LVL,LW2,LX,LXU,LX2,LX26,LX4,NJ,NJC1,NJG,NSJ,PHM,PX,PXU,QAB3,QAX2,QA2,QA26,QBC2,QBT6,QCB2,QCL,QD,QE,QFE4,QGR2,QGR9,QH,QHE,QHP1,QHQ4,QH2,QH26,QI2,QKA4,QMC6,QMC8,QMD6,QME4,QMH,QMX2,QMZ2,QNT,QNT4,QNZ,QP,QPU,QSC2,QSC9,QS2,QT,QVL,QWA4,QWX2,QX,QXC,QXC6,QXC9,QXE,QXE2,QXE4,QXE6,QXE8,QXF2,QXM1,QXS2,QXU,QXW,QX2,QX22,QX26,QX4,QX7,RD,RD4,RH,RHA2,RHQ4,RH2,RH26,RMB4,RMD,RMG2,RSK,RSS1,RTB2,RX,RXE,RXE2,RXE4,RXU,RX4,SCJ,SD,SDS,SD16,SD4,SE,SG24,SH,SHM,SHQ4,SHRY,SJ,SJC1,SJC5,SJG,SKM,SMC7,SMC9,SMJ,SMJ1,SMW2,SMX4,SM11,SM12,SM14,SNX,SNX1,SSK1,SSX2,ST,STM,STQ,SWG4,SWX2,SWX4,SX,SXE,SXE4,SXS4,SXU,SX4,SX7,S1CY,TCS2,TX,TXC9,TXU,TX2,TX26,TX4,UXU,VA2,VEBM,VED,VED1,VED2,VED3,VED5,VED6,VEN2,VES,VGE4,VG24,VHA7,VHH4,VMS4,VMS7,VPM4,VPM5,VPM7,VPR4,VPR7,VSB1,VSD,VSD1,VSD7,VSG,VSX,VSX1,VSX3,VS17,VS3,VS4,VTH4,VTU1,VWA2,VW12,VX,VXD,VXD1,VXE4,VXE7,VXM,VXU,VXU1,VXW2,VX2,VX4,WDA6,WJP,WKD6,WKT2,WKT4,WKT6,WMB0,WME2,WME4,WMT



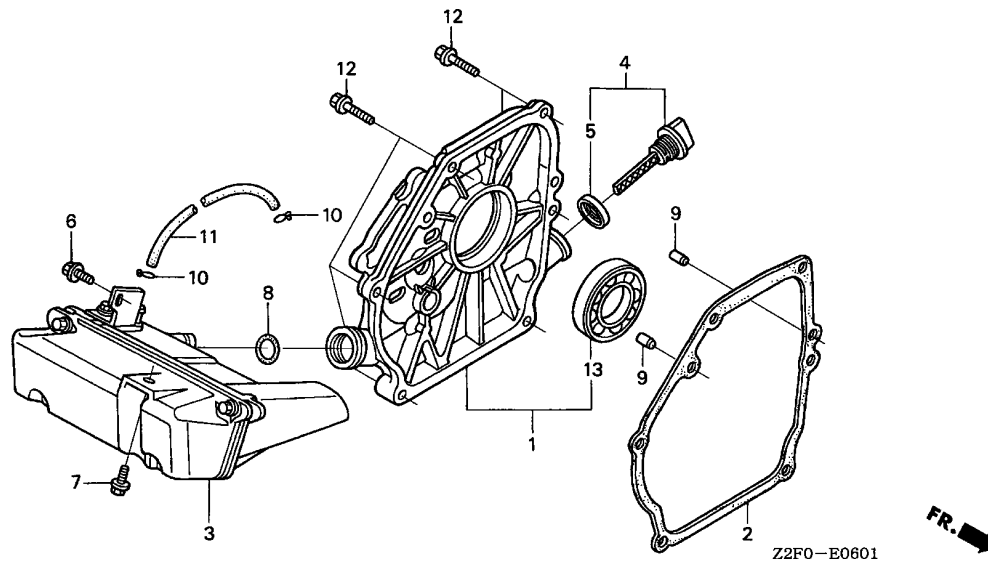


Ref. No.	Part No.	Description	Reqd. QTY		Serial No.	Parts catalogue code
			GX 160K1 (1)	GX 160K1 (2)		
17	96100-62050-00	BEARING, RADIAL BALL, 6205 ..	1	-	-----	BL,EMA2,HG12,HH,HHQ4,HH26,HX,HXE2,HXE8,HXU,HX2,HX26,HX4,KTA,LA1,LD,LH,LHB3,LHQ4,LJ,LJC7,LJG,LJS,LSJ4,LVL,LW2,LX,LXU,LX2,LX26,LX4,NJ,NJC1,NJG,NSJ,PHM,PX,PXU,QAB3,QAX2,QA2,QA26,QBC2,QBT6,QCB2,QCL,QD,QE,QFE4,QGR2,QGR9,QH,QHE,QHP1,QHQ4,QH2,QH26,QI2,QKA4,QMC6,QMC8,QMD6,QME4,QMH,QMX2,QMZ2,QNT,QNT4,QNZ,QP,QPU,QSC2,QSC9,QS2,QT,QVL,QWA4,QWX2,QX,QXC,QXC6,QXC9,QXE,QXE2,QXE4,QXE6,QXE8,QXF2,QXM1,QXS2,QXU,QXW,QX2,QX22,QX26,QX4,QX7,RD,RD4,RH,RHA2,RHQ4,RH2,RH26,RMB4,RMD,RMG2,RSK,RSS1,RTB2,RX,RXE,RXE2,RXE4,RXU,RX4,SCJ,SD,SDS,SD16,SD4,SE,SG24,SH,SHM,SHQ4,SHRY,SJ,SJC1,SJC5,SJG,SKM,SMC7,SMC9,SMJ,SMJ1,SMW2,SMX4,SM11,SM12,SM14,SNX,SNX1,SSK1,SSX2,ST,STM,STQ,SWG4,SWX2,SWX4,SX,SXE,SXE4,SXS4,SXU,SX4,SX7,S1CY,TCS2,TX,TXC9,TXU,TX2,TX26,TX4,UXU,VA2,VEBM,VED,VED1,VED2,VED3,VED5,VED6,VEN2,VES,VGE4,VG24,VHA7,VHH4,VMS4,VMS7,VPM4,VPM5,VPM7,VPR4,VPR7,VSB1,VSD,VSD1,VSD7,VSG,VSX,VSX1,VSX3,VS17,VS3,VS4,VTH4,VTU1,VMA2,VW12,VX,VXD,VXD1,VXE4,VXE7,VXM,VXU,VXU1,VXW2,VX2,VX4,WDA6,WJP,WKD6,WKT2,WKT4,WKT6,WMB0,WME2,WME4,WMT
			-	1		

E-6-1

CRANKCASE COVER(2)

E14



Service item	F.R.T.
TUBE, 3.5X130	0.1
O-RING, 15.8X2.4	0.2
.TANK ASSY., OIL	
COVER ASSY., CRANKCASE	0.6
.PACKING, CASE COVER	
BEARING, RADIAL BALL, 6205 ...	0.7

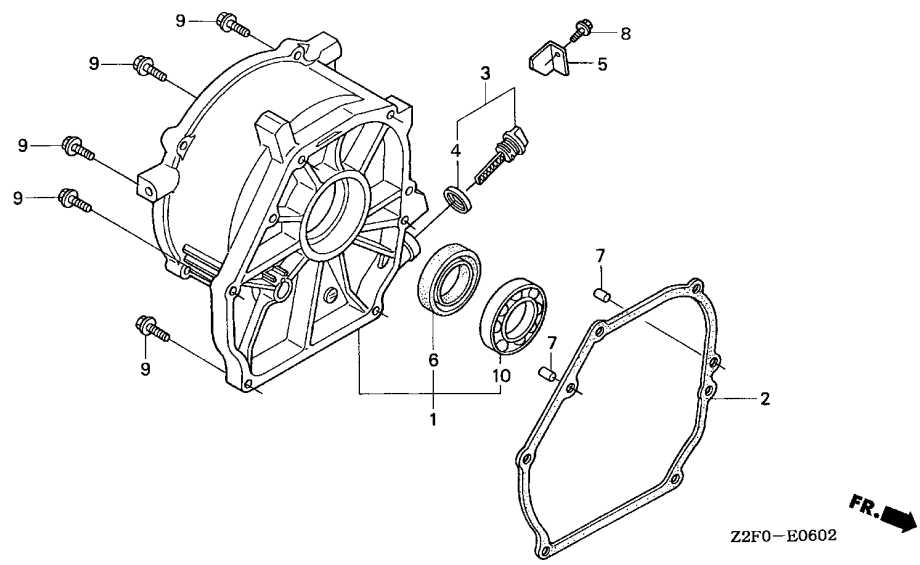
Ref. No.	Part No.	Description	Reqd. QTY		Serial No.	Parts catalogue code
			GX 160K1 (1)	GX 160K1 (2)		
1	11300-ZK8-V00	COVER ASSY., CRANKCASE	1	-	-----	AR,ARC6,KR
2	11381-ZK8-V00	PACKING, CASE COVER	1	-	-----	AR,ARC6,KR
3	15500-ZK8-V00	TANK ASSY., OIL	1	-	-----	AR,ARC6,KR
4	15600-ZE1-003	CAP ASSY., OIL FILLER (GRAY)	1	-	-----	AR,ARC6,KR
5	15625-ZE1-003	PACKING, OIL FILLER CAP	1	-	-----	AR,ARC6,KR
6	90014-952-000	BOLT, FLANGE, 6X14(CT200) ...	1	-	-----	AR,ARC6,KR
7	90029-888-000	BOLT, FLANGE, 6X16(CT200) ...	1	-	-----	AR,ARC6,KR
8	91304-MJ0-003	O-RING, 15.8X2.4(SHOWA)	1	-	-----	AR,ARC6,KR
9	94303-08140	DOWEL PIN, 8X14	2	-	-----	AR,ARC6,KR
10	95002-02070	CLIP, TUBE (B7)	2	-	-----	AR,ARC6,KR
11	95005-35130-10	TUBE, 3.5X130(95005-35001-10M)	1	-	-----	AR,ARC6,KR
12	95701-08032-00	BOLT, FLANGE, 8X32	6	-	-----	AR,ARC6,KR
13	96100-62050-00	BEARING, RADIAL BALL, 6205 ..	1	-	-----	AR,ARC6,KR

2

E-6-2

CRANKCASE COVER(3)

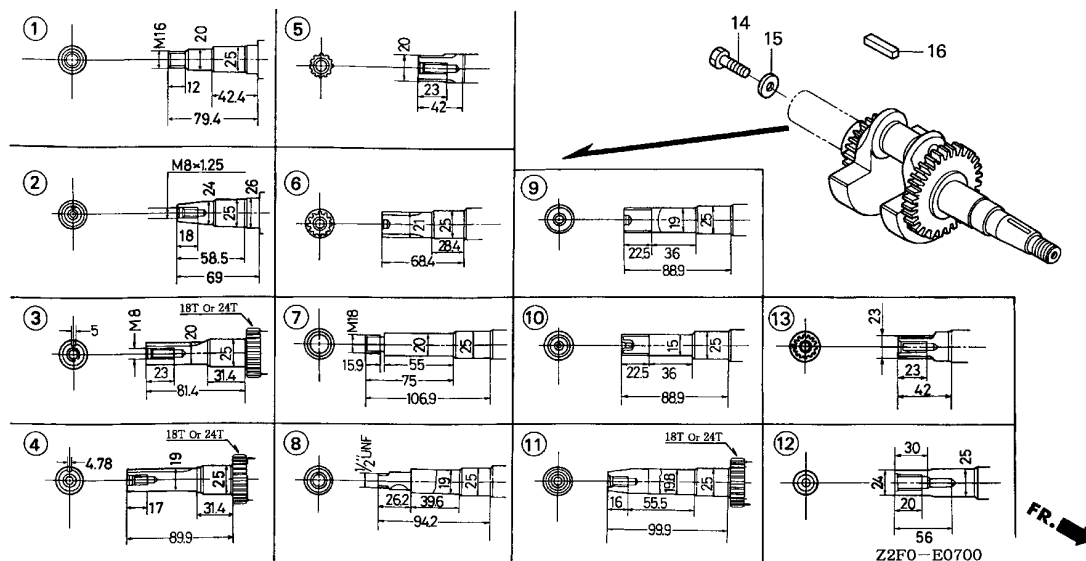
E15



Service item	F.R.T.
COVER ASSY., CRANKCASE	0.2
.PACKING, CASE COVER	
OIL SEAL, 25X41X6	0.3
BEARING, RADIAL BALL, 6205 ...	0.4

2

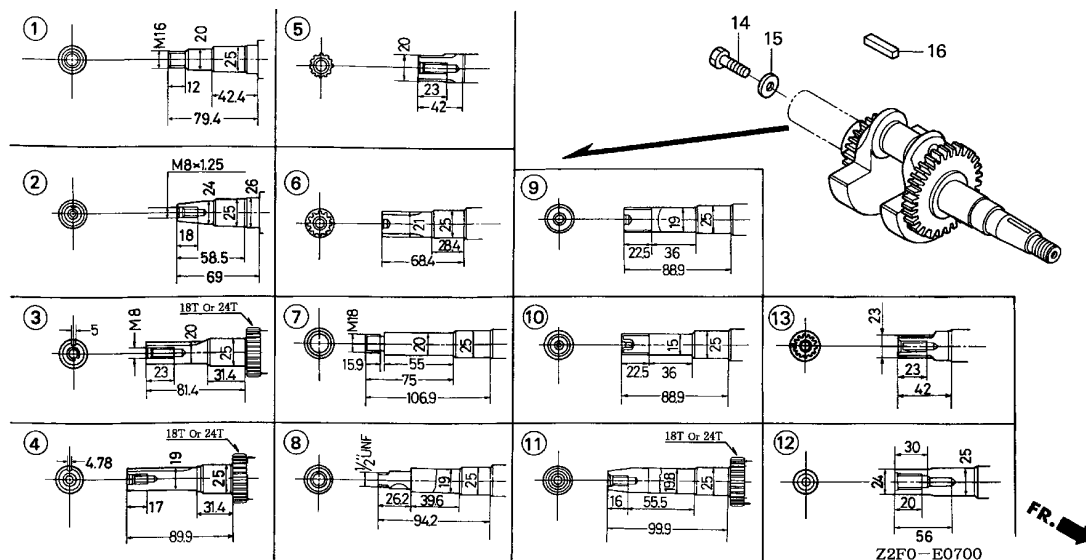
Ref. No.	Part No.	Description	Reqd. QTY		Serial No.	Parts catalogue code
			GX 160K1 (1)	GX 160K1 (2)		
1	11300-ZH8-F01	COVER ASSY., CRANKCASE	1	-	-----	VMT
2	11381-ZH8-801	PACKING, CASE COVER (NON ASBEST)	1	-	-----	VMT
3	15600-ZE1-003	CAP ASSY., OIL FILLER (GRAY)	1	-	-----	VMT
4	15625-ZE1-003	PACKING, OIL FILLER CAP	1	-	-----	VMT
5	50339-ZR4-T60	PLATE, GUARD	1	-	-----	VMT
6	91201-Z0T-801	OIL SEAL, 25X41X6	1	-	-----	VMT
7	94301-08140	DOWEL PIN, 8X14	2	-	-----	VMT
8	95701-06012-00	BOLT, FLANGE, 6X12	1	-	-----	VMT
9	95701-08032-00	BOLT, FLANGE, 8X32	6	-	-----	VMT
10	96100-62050-00	BEARING, RADIAL BALL, 6205 ..	1	-	-----	VMT



Service item	F.R.T.
CRANKSHAFT COMP.	1.1

Ref. No.	Part No.	Description	Reqd. QTY		Serial No.	Parts catalogue code
			GX 160K1 (1)	GX 160K1 (2)		
1	13310-YB4-010	CRANKSHAFT COMP.	1	-	-----	WJP,WME2,WME4
2	13310-ZB2-000	CRANKSHAFT COMP.	1	-	-----	BL,EMA2,VEBM,VED,VED1,VED2,VED3,VED5,VED6,VEN2,VES,VG24,VMT,VXD,VXD1
3	13310-ZE1-000	CRANKSHAFT COMP. (24T)	1	1	-----	RD,RD4,RH,RHA2,RHQ4,RH2,RH26,RMB4,RMD,RMG2,RSK,RSS1,RTB2,RX,RXE,RXE2 RXE4,RXU,RX4,R1,SCJ,SD,SDS,SD16,SD4,SE,SG24,SH,SHM,SHQ4,SHRY,SJ,SJC1 SJC5,SJG,SKM,SMC7,SMC9,SMJ,SMJ1,SMW2,SMX4,SM11,SM12,SM14,SNX,SNX1 SSK1,SSX2,ST,STM,STQ,SWG4,SWX2,SWX4,SX,SXE,SXE4,SXS4,SXU,SX4,S1,S1CY SX7
	13310-Z8K-000	CRANKSHAFT COMP. (18T)	1	-	-----	
4	13310-ZE1-601	CRANKSHAFT COMP. (24T)	1	1	-----	QAB3,QAX2,QA2,QA26,QBC2,QBT6,QCB2,QCL,QD,QE,QFE4,QGR2,QGR9,QH,QHE QHP1,QHQ4,QH2,QH26,QI2,QKA4,QMC6,QMC8,QMD6,QME4,QMH,QMX2,QMZ2,QNT QNT4,QNZ,QP,QPU,QSC2,QSC9,QS2,QT,QVL,QWA4,QWX2,QX,QXC,QXC6,QXC9,QXE QXE2,QXE4,QXE6,QXE8,QXF2,QXM1,QXS2,QXU,QXW,QX2,QX22,QX26,QX4,Q1 QX7
	13310-Z8K-600	CRANKSHAFT COMP. (18T)	1	-	-----	
5	13310-ZE1-610	CRANKSHAFT COMP.	1	1	-----	LA1,LD,LH,LHB3,LHQ4,LJ,LJC7,LJG,LJS,LSJ4,LVL,LW2,LX,LXU,LX2,LX26,LX4 L1
6	13310-ZE1-622	CRANKSHAFT COMP.	1	-	-----	HG12,HH,HHQ4,HH26,HX,HXE2,HXE8,HXU,HX2,HX26,HX4
7	13310-ZE1-630	CRANKSHAFT COMP.	1	1	-----	WDA6,WKD6,WKT2,WKT4,WKT6,WMB0,WMT,W1
8	13310-ZE1-641	CRANKSHAFT COMP.	1	-	-----	UXU
9	13310-ZE1-650	CRANKSHAFT COMP.	1	-	-----	PHM,PX,PXU
10	13310-ZE1-660	CRANKSHAFT COMP.	1	-	-----	TCS2,TX,TXC9,TXU,TX2,TX26,TX4
11	13310-ZE1-670	CRANKSHAFT COMP. (24T)	1	-	-----	VA2,VGE4,VHH4,VMS4,VPM4,VPM5,VPR4,VSB1,VSD,VSD1,VSG,VSX,VSX1,VSX3,VS3 VS4,VTU1,VWA2,VW12,VX,VXE4,VXM,VXU,VXU1,VXW2,VX2,VX4
	13310-Z8K-670	CRANKSHAFT COMP. (18T)	1	-	-----	VHA7,VMS7,VPM7,VPR7,VSD7,VS17,VTH4,VXE7
12	13310-ZH8-R00	CRANKSHAFT COMP.	1	-	-----	KTA
13	13310-ZK8-V00	CRANKSHAFT COMP.	1	-	-----	AR,ARC6,KR
14	90003-ZE1-000	BOLT, HEX., 5/16"	1	(1)	-----	QAB3,QMX2,QT,QVL,Q1
	92000-08025-0A	BOLT, HEX., 8X25	1	(1)	-----	L1,RMD,RSS1,R1,S1





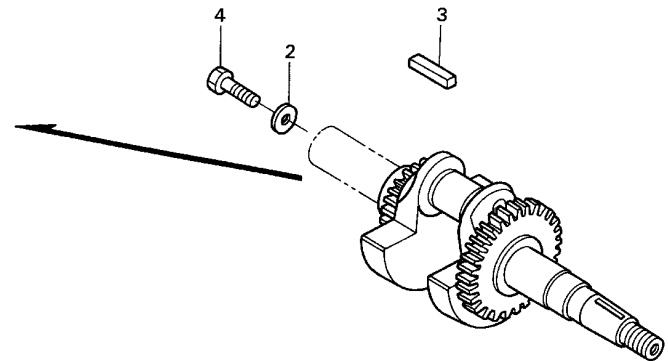
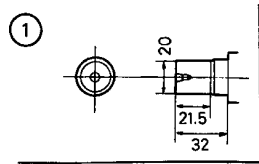
Z2F0-E0700

Ref. No.	Part No.	Description	Reqd. QTY		Serial No.	Parts catalogue code
			GX 160K1 (1)	GX 160K1 (2)		
14)	92101-08025-0A	BOLT, HEX., 8X25	1	1	-----	AR, ARC6, KR, LA1, LD, LH, LHB3, LHQ4, LJ, LJJC7, LJG, LJS, LSJ4, LVL, LW2, LX, LXU, LX2, LX26, LX4, L1, SCJ, SHRY, SJ, SJC1, SJC5, SJG, SMJ, SMJ1, SMW2, SMX4, SM11, SM14, SSK1, SSSX2, STQ, S1CY
15	90473-842-000	WASHER, 8MM	1	(1)	-----	LHB3, LJ, LJJC7, LJG, LJS, LSJ4, LVL, L1, QAB3, QFE4, QMX2, QT, QVL, Q1, RMD, RSS1, R1, SCJ, SHRY, SJ, SJC1, SJC5, SJG, SMJ, SMJ1, SMW2, SMX4, SM11, SM14, SSK1, SSSX2, STQ, S1, S1CY
16	90741-883-810	KEY, 5X5X33(YELLOW)	1	(1)	-----	LD, LH, LHB3, LHQ4, LJ, LJJC7, LJG, LJS, LSJ4, LVL, LW2, LX, LXU, LX2, LX26, LX4, L1, RD, RD4, RMD, RSS1, SCJ, SD, SDS, SD16, SD4, SE, SG24, SH, SHM, SHQ4, SHRY, SJ, SJC1, SJC5, SJG, SKM, SMC7, SMC9, SMJ, SMJ1, SMW2, SMX4, SM11, SM12, SM14, SSK1, SSSX2, STQ, SWG4, SWX2, SWX4, SX, SXE, SXE4, SXS4, SXU, SX4, SX7, S1, S1CY
	90745-ZE1-600	KEY, 4.78X4.78X38	1	(1)	-----	QAB3, QAX2, QA2, QA26, QBC2, QBT6, QCB2, QCL, QD, QE, QFE4, QGR2, QGR9, QHP1, QH26, QI2, QKA4, QMC6, QMC8, QMD6, QMH, QMX2, QMZ2, QNT, QNT4, QPU, QSC2, QSC9, QS2, QT, QVL, QWA4, QWX2, QX, QXC, QXC6, QXC9, QXE, QXE2, QXE4, QXE6, QXE8, QXF2, QXM1, QXS2, QXU, QXW, QX2, QX22, QX26, QX4, QX7, Q1

E-7-1

CRANKSHAFT(2)

F 2



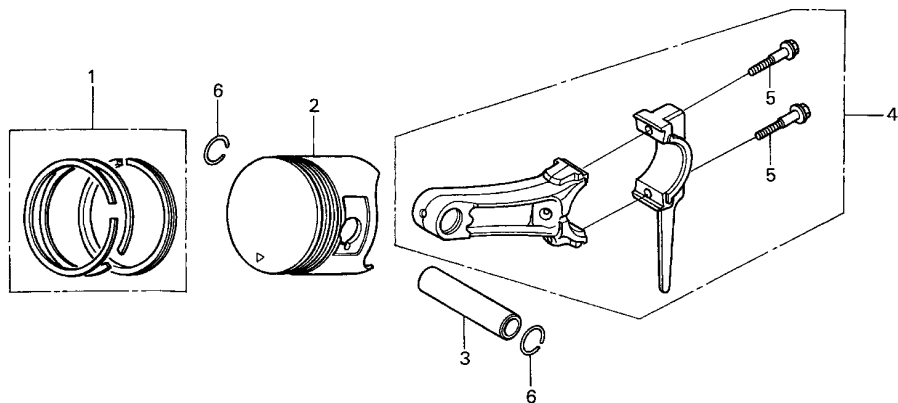
Z2F0-E0701



Service item	F.R.T.
CRANKSHAFT COMP.	1.1

Ref. No.	Part No.	Description	Reqd. QTY		Serial No.	Parts catalogue code
			GX 160K1 (1)	GX 160K1 (2)		
1	13310-ZH8-690	CRANKSHAFT COMP.	1	-	-----	NJ,NJC1,NJG,NSJ
2	90473-842-000	WASHER, 8MM	1	-	-----	NJ,NJG,NSJ
3	90741-883-810	KEY, 5X5X33(YELLOW)	1	-	-----	NJ,NJC1,NJG,NSJ
4	92101-08025-0A	BOLT, HEX., 8X25	1	-	-----	NJ,NJG,NSJ

2



Z2F0-E0800



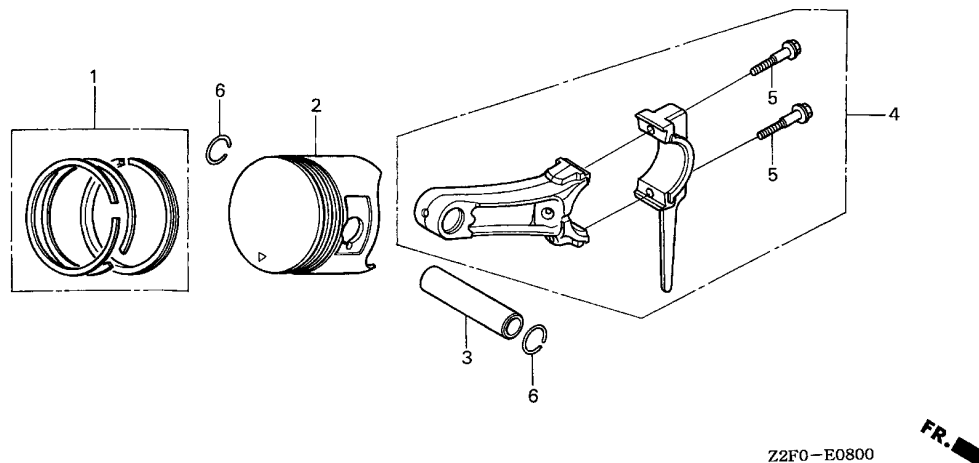
Service item	F.R.T.
ROD ASSY., CONNECTING	1.0
PISTON	1.1
.RING SET, PISTON	

2

Ref. No.	Part No.	Description	Reqd. QTY		Serial No.	Parts catalogue code
			GX 160K1 (1)	GX 160K1 (2)		
1	13010-ZL0-003	RING SET, PISTON (STD.) (TEIKOKU)	1	1		
	13010-ZL0-004	RING SET, PISTON (STD.) (NIPPON)	1	1		
	13011-ZL0-003	RING SET, PISTON (0.25) (TEIKOKU)	(1)	(1)		
	13011-ZL0-004	RING SET, PISTON (0.25) (NIPPON)	(1)	(1)		
	13012-ZL0-003	RING SET, PISTON (0.50) (TEIKOKU)	(1)	(1)		
	13012-ZL0-004	RING SET, PISTON (0.50) (NIPPON)	(1)	(1)		
	13013-ZL0-003	RING SET, PISTON (0.75) (TEIKOKU)	(1)	(1)		
	13013-ZL0-004	RING SET, PISTON (0.75) (NIPPON)	(1)	(1)		
2	13101-ZF1-020	PISTON (STD.)	1	-	----- QT,SNX,SNX1	

Ref. No.	Part No.	Description	Reqd. QTY		Serial No.	Parts catalogue code
			GX 160K1 (1)	GX 160K1 (2)		
(2)	13101-ZH8-010	PISTON (STD.)	1	-	-	AR, ARC6, BL, EMA2, HG12, HH, HHQ4, HH26, HX, HXE2, HXE8, HXU, HX2, HX26, HX4, KR KTA, LA1, LD, LH, LHB3, LHQ4, LJ, LJC7, LJG, LJS, LSJ4, LVL, LW2, LX, LXU, LX2, LX26 LX4, NJ, NJC1, NJG, NSJ, PHM, PX, PXU, QAB3, QAX2, QA2, QA26, QBC2, QBT6, QCB2, QCL QD, QE, QFE4, QGR2, QGR9, QH, QHE, QHP1, QHQ4, QH2, QH26, QI2, QKA4, QMC6, QMC8 QMD6, QME4, QMH, QMX2, QMZ2, QNT, QNT4, QNZ, QP, QPU, QSC2, QSC9, QS2, QVL, QWA4 QWX2, QX, QXC, QXC6, QXC9, QXE, QXE2, QXE4, QXE6, QXE8, QXF2, QXM1, QXS2, QXU, QXW QX2, QX22, QX26, QX4, QX7, RD, RD4, RH, RHA2, RHQ4, RH2, RH26, RMB4, RMD, RMG2, RSK RSS1, RTB2, RX, RXE, RXE2, RXE4, RXU, RX4, SCJ, SD, SDS, SD16, SD4, SE, SG24, SH, SHM SHQ4, SHRY, SJ, SJC1, SJC5, SJG, SKM, SMC7, SMC9, SMJ, SMJ1, SMW2, SMX4, SM11, SM12 SM14, SSK1, SSSX2, ST, STM, STQ, SWG4, SWX2, SWX4, SX, SXE, SXE4, SXS4, SXU, SX4, SX7 S1CY, TCS2, TX, TXC9, TXU, TX2, TX26, TX4, UXU, VA2, VEBM, VED, VED1, VED2, VED3 VED5, VED6, VEN2, VES, VGE4, VG24, VHA7, VHH4, VMS4, VMS7, VMT, VPM4, VPM5, VPM7 VPR4, VPR7, VSB1, VSD, VSD1, VSD7, VSG, VSX, VSX1, VSX3, VS17, VS3, VS4, VTH4, VTU1 VWA2, VW12, VX, VXD, VXD1, VXE4, VXE7, VXM, VXU, VXU1, VXW2, VX2, VX4, WDA6, WJP WKD6, WKT2, WKT4, WKT6, WMBO, WME2, WME4, WMT
	13102-ZF1-020	PISTON (0.25)	-	1	-	QT, SNX, SNX1
	13102-ZH8-010		(1)	-	-	AR, ARC6, BL, EMA2, HG12, HH, HHQ4, HH26, HX, HXE2, HXE8, HXU, HX2, HX26, HX4, KR KTA, LA1, LD, LH, LHB3, LHQ4, LJ, LJC7, LJG, LJS, LSJ4, LVL, LW2, LX, LXU, LX2, LX26 LX4, NJ, NJC1, NJG, NSJ, PHM, PX, PXU, QAB3, QAX2, QA2, QA26, QBC2, QBT6, QCB2, QCL QD, QE, QFE4, QGR2, QGR9, QH, QHE, QHP1, QHQ4, QH2, QH26, QI2, QKA4, QMC6, QMC8 QMD6, QME4, QMH, QMX2, QMZ2, QNT, QNT4, QNZ, QP, QPU, QSC2, QSC9, QS2, QVL, QWA4 QWX2, QX, QXC, QXC6, QXC9, QXE, QXE2, QXE4, QXE6, QXE8, QXF2, QXM1, QXS2, QXU, QXW QX2, QX22, QX26, QX4, QX7, RD, RD4, RH, RHA2, RHQ4, RH2, RH26, RMB4, RMD, RMG2, RSK RSS1, RTB2, RX, RXE, RXE2, RXE4, RXU, RX4, SCJ, SD, SDS, SD16, SD4, SE, SG24, SH, SHM SHQ4, SHRY, SJ, SJC1, SJC5, SJG, SKM, SMC7, SMC9, SMJ, SMJ1, SMW2, SMX4, SM11, SM12 SM14, SSK1, SSSX2, ST, STM, STQ, SWG4, SWX2, SWX4, SX, SXE, SXE4, SXS4, SXU, SX4, SX7 S1CY, TCS2, TX, TXC9, TXU, TX2, TX26, TX4, UXU, VA2, VEBM, VED, VED1, VED2, VED3 VED5, VED6, VEN2, VES, VGE4, VG24, VHA7, VHH4, VMS4, VMS7, VMT, VPM4, VPM5, VPM7 VPR4, VPR7, VSB1, VSD, VSD1, VSD7, VSG, VSX, VSX1, VSX3, VS17, VS3, VS4, VTH4, VTU1 VWA2, VW12, VX, VXD, VXD1, VXE4, VXE7, VXM, VXU, VXU1, VXW2, VX2, VX4, WDA6, WJP WKD6, WKT2, WKT4, WKT6, WMBO, WME2, WME4, WMT
	13103-ZF1-020	PISTON (0.50)	-	(1)	-	QT, SNX, SNX1
	13103-ZH8-010		(1)	-	-	AR, ARC6, BL, EMA2, HG12, HH, HHQ4, HH26, HX, HXE2, HXE8, HXU, HX2, HX26, HX4, KR KTA, LA1, LD, LH, LHB3, LHQ4, LJ, LJC7, LJG, LJS, LSJ4, LVL, LW2, LX, LXU, LX2, LX26 LX4, NJ, NJC1, NJG, NSJ, PHM, PX, PXU, QAB3, QAX2, QA2, QA26, QBC2, QBT6, QCB2, QCL QD, QE, QFE4, QGR2, QGR9, QH, QHE, QHP1, QHQ4, QH2, QH26, QI2, QKA4, QMC6, QMC8 QMD6, QME4, QMH, QMX2, QMZ2, QNT, QNT4, QNZ, QP, QPU, QSC2, QSC9, QS2, QVL, QWA4 QWX2, QX, QXC, QXC6, QXC9, QXE, QXE2, QXE4, QXE6, QXE8, QXF2, QXM1, QXS2, QXU, QXW QX2, QX22, QX26, QX4, QX7, RD, RD4, RH, RHA2, RHQ4, RH2, RH26, RMB4, RMD, RMG2, RSK RSS1, RTB2, RX, RXE, RXE2, RXE4, RXU, RX4, SCJ, SD, SDS, SD16, SD4, SE, SG24, SH, SHM SHQ4, SHRY, SJ, SJC1, SJC5, SJG, SKM, SMC7, SMC9, SMJ, SMJ1, SMW2, SMX4, SM11, SM12 SM14, SSK1, SSSX2, ST, STM, STQ, SWG4, SWX2, SWX4, SX, SXE, SXE4, SXS4, SXU, SX4, SX7 S1CY, TCS2, TX, TXC9, TXU, TX2, TX26, TX4, UXU, VA2, VEBM, VED, VED1, VED2, VED3 VED5, VED6, VEN2, VES, VGE4, VG24, VHA7, VHH4, VMS4, VMS7, VMT, VPM4, VPM5, VPM7 VPR4, VPR7, VSB1, VSD, VSD1, VSD7, VSG, VSX, VSX1, VSX3, VS17, VS3, VS4, VTH4, VTU1 VWA2, VW12, VX, VXD, VXD1, VXE4, VXE7, VXM, VXU, VXU1, VXW2, VX2, VX4, WDA6, WJP WKD6, WKT2, WKT4, WKT6, WMBO, WME2, WME4, WMT
	13104-ZF1-020	PISTON (0.75)	-	(1)	-	QT, SNX, SNX1





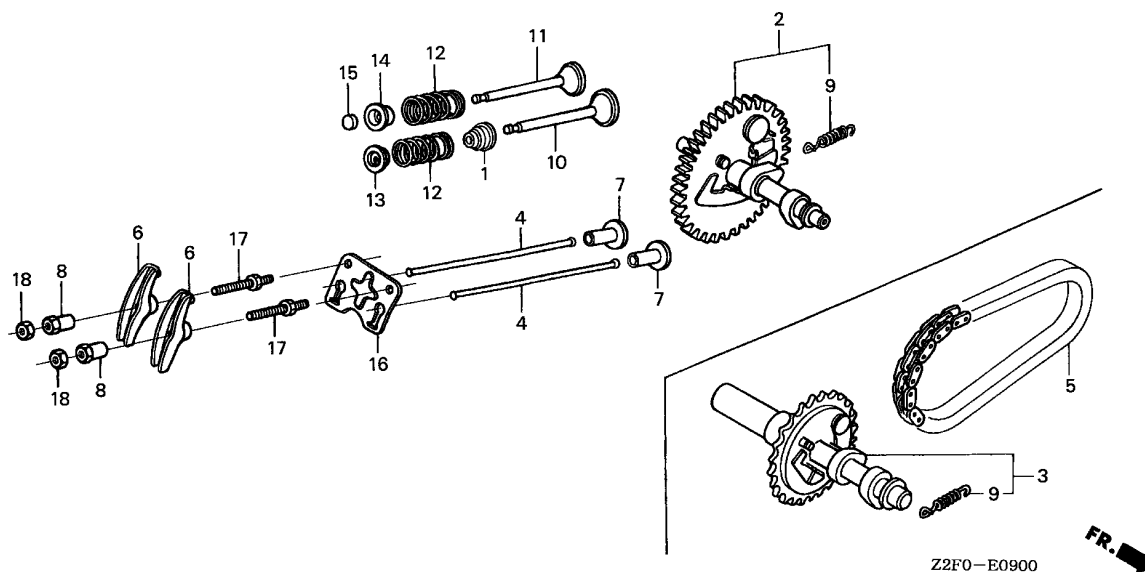
2

Ref. No.	Part No.	Description	Reqd. QTY		Serial No.	Parts catalogue code
			GX 160K1 (1)	GX 160K1 (2)		
(2)	13104-ZH8-010	PISTON (0.75)	(1)	-	-----	AR, ARC6, BL, EMA2, HG12, HH, HHQ4, HH26, HX, HXE2, HXE8, HXU, HX2, HX26, HX4, KR, KTA, LA1, LD, LH, LHB3, LHQ4, LJ, LJC7, LJG, LJS, LSJ4, LVL, LW2, LX, LXU, LX2, LX26, LX4, NJ, NJC1, NJG, NSJ, PHM, PX, PXU, QAB3, QAX2, QA2, QA26, QBC2, QBT6, QCB2, QCL, QD, QE, QFE4, QGR2, QGR9, QH, QHE, QHP1, QHQ4, QH2, QH26, QI2, QKA4, QMC6, QMC8, QMD6, QME4, QMH, QMX2, QMZ2, QNT, QNT4, QNZ, QP, QPU, QSC2, QSC9, QS2, QVL, QWA4, QWX2, QX, QXC, QXC6, QXC9, QXE, QXE2, QXE4, QXE6, QXE8, QXF2, QXM1, QXS2, QXU, QXW, QX2, QX22, QX26, QX4, QX7, RD, RD4, RH, RHA2, RHQ4, RH2, RH26, RMB4, RMD, RMG2, RSK, RSS1, RTB2, RX, RXE, RXE2, RXE4, RXU, RX4, SCJ, SD, SDS, SD16, SD4, SE, SG24, SH, SHM, SHQ4, SHRY, SJ, SJC1, SJC5, SJG, SKM, SMC7, SMC9, SMJ, SMJ1, SMW2, SMX4, SM11, SM12, SM14, SSK1, SSSX2, ST, STM, STQ, SWG4, SWX2, SWX4, SX, SXE, SXE4, SXS4, SXU, SX4, SX7, S1CY, TCS2, TX, TXC9, TXU, TX2, TX26, TX4, UXU, VA2, VEBM, VED, VED1, VED2, VED3, VED5, VED6, VEN2, VES, VGE4, VG24, VHA7, VHH4, VMS4, VMS7, VMT, VPM4, VPM5, VPM7, VPR4, VPR7, VSB1, VSD, VSD1, VSD7, VSG, VSX, VSX1, VSX3, VS17, VS3, VS4, VTH4, VTU1, VWA2, VW12, VX, VXD, VXD1, VXE4, VXE7, VXM, VXU, VXU1, VXW2, VX2, VX4, WDA6, WJP, WKD6, WKT2, WKT4, WKT6, WMBO, WME2, WME4, WMT
	3	13111-ZE1-000	PIN, PISTON	-	(1)	
	4	13200-ZE1-010	ROD ASSY., CONNECTING (STD.)	1	1	
	5	90001-ZE1-000	BOLT, CONNECTING ROD	2	2	
	6	90551-ZE1-000	CLIP, PISTON PIN, 18MM	2	2	

E-9

CAMSHAFT

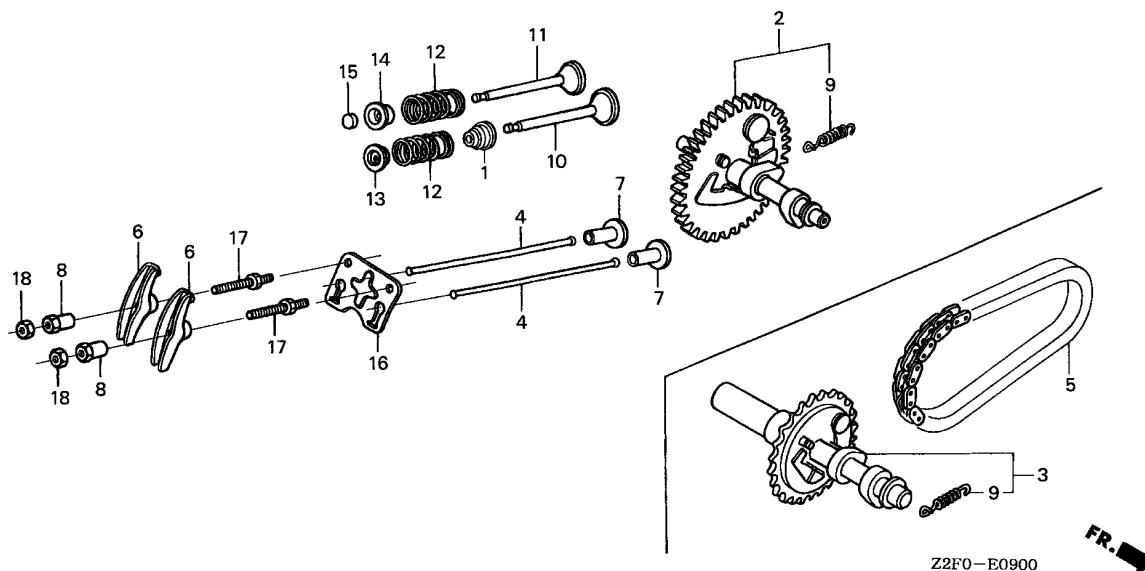
F 6



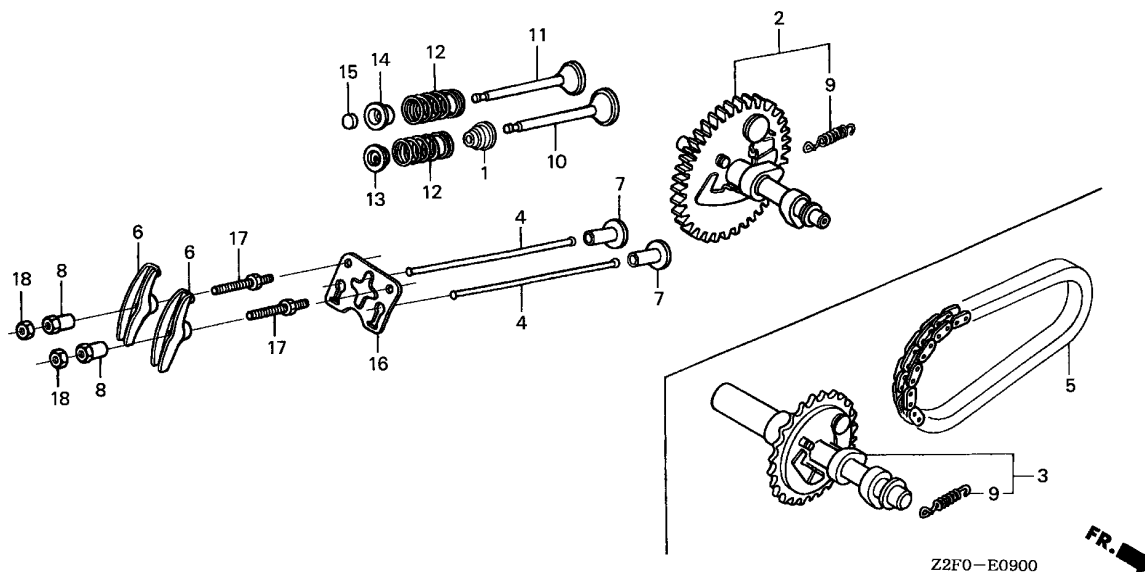
Service item	F.R.T.
ARM, VALVE ROCKER	0.2
(ADD 0.1 FOR EACH.)	
.ROD, PUSH	
(ADD 0.1 FOR EACH.)	
.ROTATOR, VALVE	
CAMSHAFT ASSY.	0.4
.LIFTER, VALVE	
CHAIN, P.T.O. DRIVE	0.7
.SEAL, VALVE STEM	
.VALVE	
(ADD 0.1 FOR EACH.)	

Ref. No.	Part No.	Description	Reqd. QTY		Serial No.	Parts catalogue code
			GX 160K1 (1)	GX 160K1 (2)		
1	12209-ZH8-003	SEAL, VALVE STEM	1	1		
2	14100-ZE1-812	CAMSHAFT ASSY.	1	-	-----	BL, HG12, HH, HHQ4, HH26, HX, HXE2, HXE8, HXU, HX2, HX26, HX4, KTA, LD, LH, LHB3, LHQ4, LJC7, LJG, LJS, LSJ4, LVL, LW2, LX, LXU, LX2, LX26, LX4, PHM, PX, PXU, QAB3, QAX2, QA2, QA26, QBC2, QBT6, QCB2, QD, QE, QFE4, QGR2, QGR9, QH, QHE, QHP1, QHQ4, QH2, QH26, QI2, QKA4, QMC6, QMC8, QMD6, QME4, QMH, QMX2, QM2, QNT, QNT4, QNZ, QP, QPU, QSC2, QSC9, QS2, QVL, QWA4, QWX2, QX, QXC, QXC6, QXC9, QXE, QXE2, QXE4, QXE6, QXE8, QXS2, QXU, QXW, QX2, QX22, QX26, QX4, RD, RD4, RH, RHA2, RHQ4, RH2, RH26, RMB4, RMD, RMG2, RSK, RSS1, RTB2, RX, RXE, RXE2, RXE4, RXU, RX4, SCJ, SD, SDS, SD16, SD4, SE, SG24, SH, SHM, SHQ4, SHRY, SJ, SJG, SMC7, SMC9, SMW2, SMX4, SM11, SM12, SM14, SNX, SNX1, SSK1, SSS2, ST, STM, STQ, SWG4, SWX2, SWX4, SX, SXE, SXE4, SXS4, SXU, SX4, S1CY, TCS2, TX, TXC9, TXU, TX2, TX26, TX4, UXU, VEBM, VED, VED1, VED2, VED3, VED5, VED6, VEN2, VES, VG24, VSB1, WDA6, WJP, WKD6, WKT2, WKT4, WKT6, WMB0, WME4
	14100-ZF1-010	-----	1	-	-----	QCL, QT, QXF2, SJC1, SJC5
	14100-ZH8-C30	-----	1	-	-----	AR, ARC6, KR
	14100-ZH8-800	-----	1	-	-----	LA1, LJ, QXM1, SKM, WMT
	14100-ZH8-810	-----	1	-	-----	SMJ, SMJ1
	14100-ZL0-000	-----	1	-	-----	EMA2, VA2, VGE4, VHH4, VMS4, VMT, VPM4, VPM5, VPR4, VSD, VSD1, VSG, VSX, VSX1, VSX3, VS3, VS4, VTU1, VWA2, VW12, VX, VXD, VXD1, VXE4, VXM, VXU, VXU1, VXW2, VX2, VX4, WME2
	14100-ZL0-870	-----	1	-	-----	VHA7, VMS7, VPM7, VPR7, VSD7, VS17, VTH4, VXE7
	14100-Z8K-870	-----	1	-	-----	QX7, SX7
3	14100-ZH8-690	CAMSHAFT ASSY.	1	-	-----	NJ, NJC1, NJG, NSJ
4	14410-ZE1-010	ROD, PUSH	2	2		
5	14411-ZH7-V91	CHAIN, P.T.O. DRIVE (DID270FH DHA-3)	1	-	-----	NJ, NJC1, NJG, NSJ
6	14431-ZE1-000	ARM, VALVE ROCKER	2	2		

2

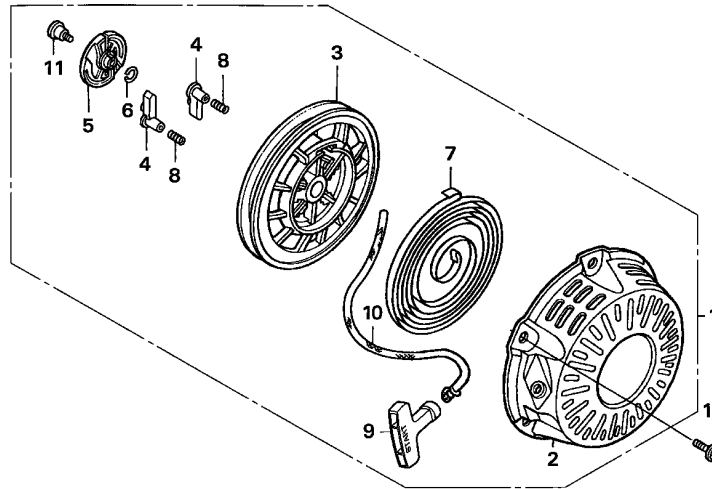


Ref. No.	Part No.	Description	Reqd. QTY		Serial No.	Parts catalogue code
			GX 160K1 (1)	GX 160K1 (2)		
7	14441-ZE1-010	LIFTER, VALVE	2	2		
8	14451-ZE1-013	PIVOT, ROCKER ARM	2	2		
9	14568-ZE1-000	SPRING, WEIGHT RETURN	1	1		
10	14711-ZF1-000	VALVE, IN.	1	1		
11	14721-ZF1-000	VALVE, EX.	1	-	-----	AR,ARC6,EMA2,HG12,HH,HHQ4,HH26,HX,HXE2,HXE8,HXU,HX2,HX26,HX4,KR,KTALA1,LD,LH,LHQ4,LJ,LJC7,LJG,LJS,LSJ4,LW2,LX,LXU,LX2,LX26,LX4,NJ,NJC1NJG,NSJ,QAX2,QA2,QA26,QBC2,QBT6,QCB2,QCL,QD,QE,QFE4,QGR2,QGR9,QH,QHEQHP1,QHQ4,QH2,QH26,QI2,QKA4,QMC6,QMC8,QMD6,QME4,QMH,QMX2,QMZ2,QNTQNT4,QNZ,QP,QPU,QSC2,QSC9,QS2,QT,QWA4,QWX2,QX,QXC,QXC6,QXC9,QXE,QXE2QXE4,QXE6,QXE8,QXF2,QXM1,QXS2,QXU,QXW,QX2,QX22,QX26,QX4,QX7,RD,RD4,RHRHA2,RHQ4,RH2,RH26,RMB4,RMD,RMG2,RSK,RSS1,RTB2,RX,RXE,RXE2,RXE4,RXURX4,SCJ,SD,SDS,SD16,SD4,SE,SG24,SH,SHM,SHQ4,SHRY,SJ,SJC1,SJC5,SJG,SKMSMC7,SMC9,SMJ,SMJ1,SMW2,SMX4,SM11,SM12,SM14,SNX,SNX1,SSK1,SSX2,ST,STMSTQ,SWG4,SWX2,SWX4,SX,SXE,SXE4,SXS4,SXU,SX4,SX7,S1CY,TXC9,VA2,VEBMEVED,VED1,VED2,VED3,VED5,VED6,VEN2,VES,VGE4,VG24,VHA7,VHH4,VMS4,VMS7VMT,VPM4,VPM5,VPM7,VPR4,VPR7,VSB1,VSD,VSD1,VSD7,VSG,VSX,VSX1,VSX3VS17,VS3,VS4,VTH4,VTU1,VWA2,VW12,VX,VXD,VXD1,VXE4,VXE7,VXM,VXU,VXU1VXW2,VX2,VX4,WDA6,WJP,WKD6,WKT2,WKT4,WKT6,WMB0,WME2,WME4,WMT
	14721-ZH8-810	VALVE, EX. (STELLITE)	1	-	-----	PHM,PX,PXU,TCS2,TX,TXU,TX2,TX26,TX4,UXU
	14721-ZK8-W80	VALVE, EX.	1	(1)	-----	BL,LHB3,LVL,QAB3,QVL



Ref. No.	Part No.	Description	Reqd. QTY		Serial No.	Parts catalogue code
			GX 160K1 (1)	GX 160K1 (2)		
12	14751-ZF1-000	SPRING, VALVE	2	-	-----	AR, ARC6, BL, EMA2, HG12, HH, HHQ4, HH26, HX, HXE2, HXE8, HXU, HX2, HX26, HX4, KR KTA, LA1, LD, LH, LHB3, LHQ4, LJ, LJC7, LJG, LJS, LSJ4, LVL, LW2, LX, LXU, LX2, LX26 LX4, NJ, NJC1, NJG, NSJ, PHM, PX, PXU, QAB3, QAX2, QA2, QA26, QBC2, QBT6, QCB2, QCL QD, QE, QFE4, QGR2, QGR9, QH, QHE, QHP1, QHQ4, QH2, QH26, QI2, QKA4, QMC6, QMC8 QMD6, QME4, QMH, QMX2, QMZ2, QNT, QNT4, QNZ, QP, QPU, QSC2, QSC9, QS2, QT, QVL, QWA4 QWX2, QX, QXC, QXC6, QXC9, QXE, QXE2, QXE4, QXE6, QXE8, QXF2, QXM1, QXS2, QXU, QXW QX2, QX22, QX26, QX4, QX7, RD, RD4, RH, RHA2, RHQ4, RH2, RH26, RMB4, RMD, RMG2, RSK RSS1, RTB2, RX, RXE, RXE2, RXE4, RXU, RX4, SCJ, SD, SDS, SD16, SD4, SE, SG24, SH, SHM SHQ4, SHRY, SJ, SJC1, SJC5, SJG, SKM, SMC7, SMC9, SMJ, SMJ1, SMW2, SMX4, SM11, SM12 SM14, SNX, SNX1, SSK1, SSS2, ST, STM, STQ, SWG4, SWX2, SWX4, SX, SXE, SXE4, SXS4 SXU, SX4, SX7, S1CY, TCS2, TX, TXC9, TXU, TX2, TX26, TX4, UXU, VA2, VEBM, VED, VED1 VED2, VED3, VED5, VED6, VEN2, VES, VGE4, VG24, VHA7, VHH4, VMS4, VMS7, VMT, VPM4 VPM5, VPM7, VPR4, VPR7, VSB1, VSD, VSD1, VSD7, VSG, VSX, VSX1, VSX3, VS17, VS3, VS4 VTH4, VTU1, VWA2, VW12, VX, VXD, VXD1, VXE4, VXE7, VXM, VXU, VXU1, VXW2, VX2, VX4 WDA6, WJP, WKD6, WKT2, WKT4, WKT6, WMBO, WME2, WME4
	14751-ZH8-940	-	2	-----	WMT
13	14771-ZE1-000	RETAINER, IN. VALVE SPRING ..	1	1	-----	
14	14773-ZE1-000	RETAINER, EX. VALVE SPRING ..	1	1	-----	
15	14781-ZE1-000	ROTATOR, VALVE	1	1	-----	
16	14791-ZE1-010	PLATE, PUSH ROD GUIDE	1	1	-----	
17	90012-ZE0-010	BOLT, PIVOT, 8MM	2	2	-----	
18	90206-ZE1-000	NUT, PIVOT ADJUSTING	2	2	-----	





Z2F0-E1100



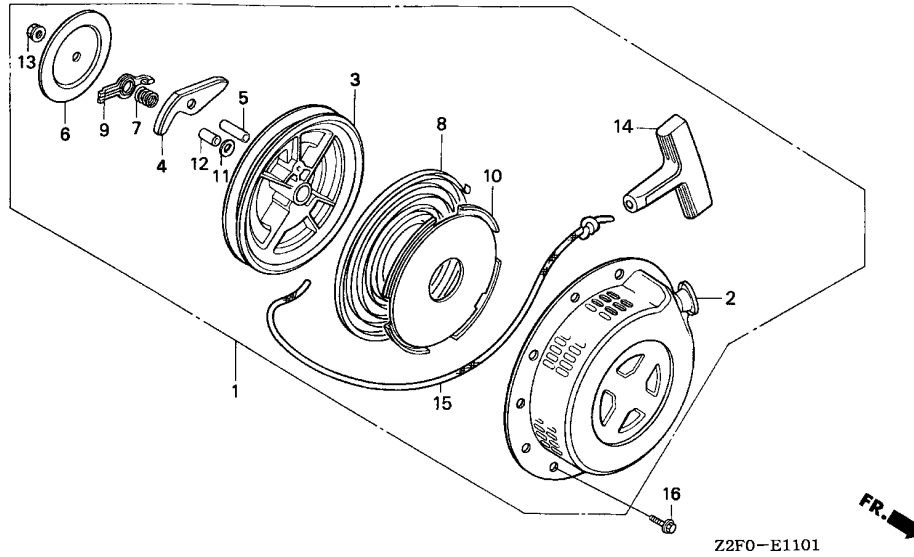
Service item	F.R.T.
STARTER ASSY., RECOIL	0.1
GUIDE, RATCHET	0.2
.RATCHET, STARTER	
REEL, RECOIL STARTER	0.3
.ROPE, RECOIL STARTER	
.SPRING, RECOIL STARTER	

Ref. No.	Part No.	Description	Reqd. QTY		Serial No.	Parts catalogue code
			GX 160K1 (1)	GX 160K1 (2)		
1	28400-ZH8-R10ZD	STARTER ASSY., RECOIL (TURFCO) *R280*.....POWER RED	1	-	-----	HG12,SNX,SNX1
2	28410-ZH8-003YA	CASE COMP., RECOIL STARTER *R280*.....POWER RED	1	-	-----	HG12,SNX,SNX1
3	28420-ZH8-013	REEL, RECOIL STARTER (NATURAL)	1	-	-----	HG12,SNX,SNX1
4	28422-ZH8-013	RATCHET, STARTER	2	-	-----	HG12,SNX,SNX1
5	28433-ZH8-003	GUIDE, RATCHET	1	-	-----	HG12,SNX,SNX1
6	28441-ZH8-003	SPRING, FRICTION	1	-	-----	HG12,SNX,SNX1
7	28442-ZH8-003	SPRING, RECOIL STARTER	1	-	-----	HG12,SNX,SNX1
8	28443-ZH8-003	SPRING, RETURN	2	-	-----	HG12,SNX,SNX1
9	28461-ZH8-003	GRIP, STARTER	1	-	-----	HG12,SNX,SNX1
10	28462-ZH8-R10	ROPE, RECOIL STARTER	1	-	-----	HG12,SNX,SNX1
11	90003-ZH8-003	SCREW, SETTING	1	-	-----	HG12,SNX,SNX1
12	90008-ZE2-003	BOLT, FLANGE, 6X10	3	-	-----	HG12,SNX,SNX1

E-11-1

RECOIL STARTER(2)

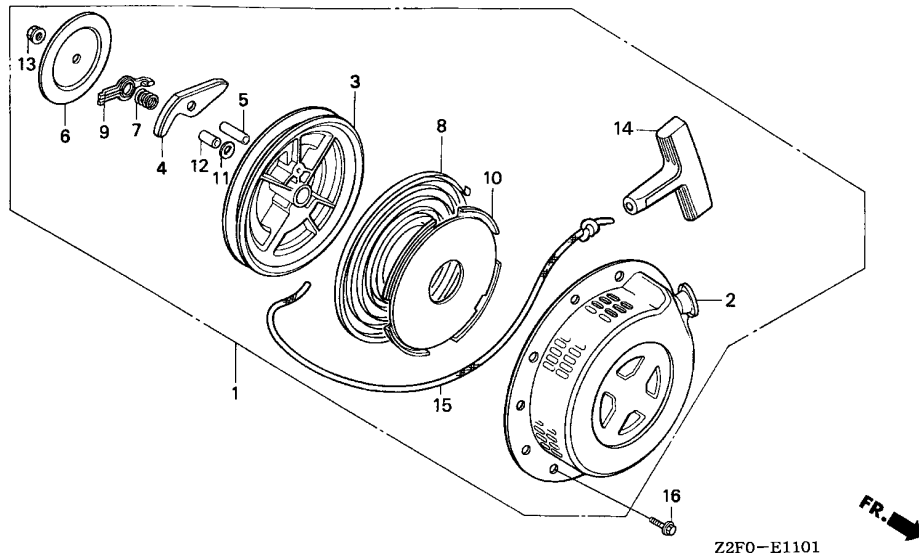
F10



Service item	F.R.T.
STARTER ASSY., RECOIL	0.1
GUIDE, RATCHET	0.2
.RATCHET, STARTER	
PULLEY, RECOIL STARTER	0.4
.ROPE, RECOIL STARTER	
.SPRING, RECOIL STARTER	

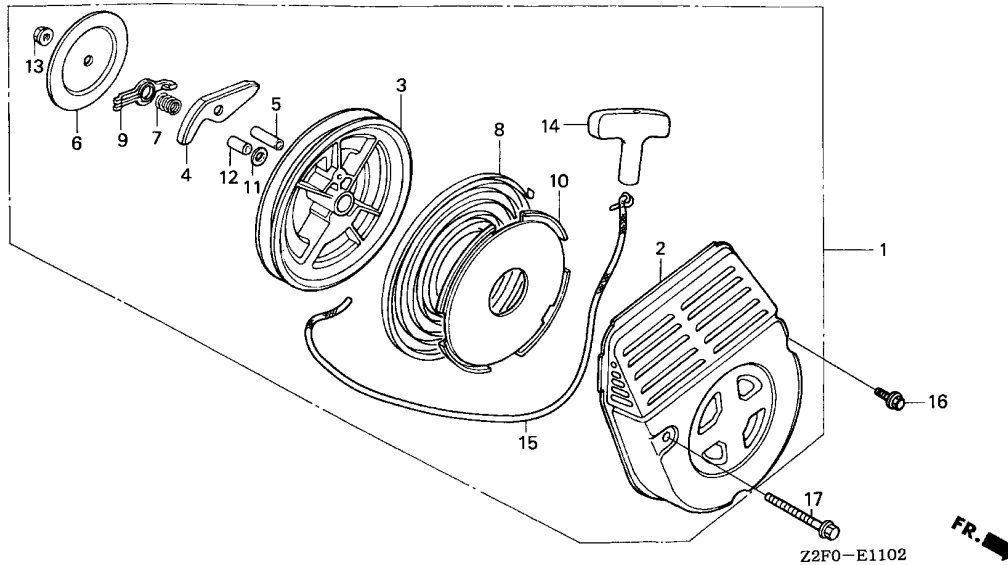
Ref. No.	Part No.	Description	Reqd. QTY		Serial No.	Parts catalogue code
			GX 160K1 (1)	GX 160K1 (2)		
1	28400-ZB2-000ZD	STARTER ASSY., RECOIL				
		NH1.....BLACK	1	-	----- VS3,VS4	
	28400-ZB2-000ZE	*Y131*.....LIGHTNING YELLOW	1	-	----- VS4	
	28400-ZB2-000ZF	*T77*.....SEC WINE RED	1	-	----- VS3,VS4	
	28400-ZB2-000ZG	*T80*.....BAKELITE ORANGE	1	-	----- VS3,VS4	
	28400-ZB2-000ZH	*R280*.....POWER RED	1	-	----- VSB1,VSG,VS3	
	28400-ZE1-003ZF	*R280*.....POWER RED	1	-	----- LVL,QT,QVL	
2	28410-ZB2-000ZE	CASE COMP., RECOIL STARTER				
		NH1.....BLACK	1	-	----- VS3,VS4	
	28410-ZB2-000ZF	*Y131*.....LIGHTNING YELLOW	1	-	----- VS3,VS4	
	28410-ZB2-000ZG	*T77*.....SEC WINE RED	1	-	----- VS3,VS4	
	28410-ZB2-000ZH	*T80*.....BAKELITE ORANGE	1	-	----- VS3,VS4	
	28410-ZB2-000ZJ	*R280*.....POWER RED	1	-	----- VSB1,VSG,VS3	
	28410-ZE1-003ZF	*R280*.....POWER RED	1	-	----- LVL,QT,QVL	
3	28420-ZE1-003	PULLEY, RECOIL STARTER	1	-	----- LVL,QT,QVL,VSB1,VSG,VS3,VS4	
4	28422-ZE1-003	RATCHET, STARTER	1	-	----- LVL,QT,QVL,VSB1,VSG,VS3,VS4	
5	28423-ZE1-003	PIN, STARTER RATCHET	1	-	----- LVL,QT,QVL,VSB1,VSG,VS3,VS4	
6	28431-ZE1-003	PLATE, FRICTION	1	-	----- LVL,QT,QVL,VSB1,VSG,VS3,VS4	
7	28441-ZE1-003	SPRING, FRICTION	1	-	----- LVL,QT,QVL,VSB1,VSG,VS3,VS4	
8	28442-ZE1-003	SPRING, RECOIL STARTER	1	-	----- LVL,QT,QVL,VSB1,VSG,VS3,VS4	
9	28443-ZE1-003	GUIDE, RATCHET	1	-	----- LVL,QT,QVL,VSB1,VSG,VS3,VS4	
10	28445-ZE1-003	CASE, RECOIL STARTER SPRING	1	-	----- LVL,QT,QVL,VSB1,VSG,VS3,VS4	
11	28446-ZE1-003	WASHER, STARTER	1	-	----- LVL,QT,QVL,VSB1,VSG,VS3,VS4	
12	28447-ZE1-003	SHAFT, SUB	1	-	----- LVL,QT,QVL,VSB1,VSG,VS3,VS4	
13	28448-ZE1-003	NUT	1	-	----- LVL,QT,QVL,VSB1,VSG,VS3,VS4	
14	28461-ZE1-003	KNOB, RECOIL STARTER	1	-	----- LVL,QT,QVL,VSB1,VSG,VS3,VS4	

2



2

Ref. No.	Part No.	Description	Reqd. QTY		Serial No.	Parts catalogue code
			GX 160K1 (1)	GX 160K1 (2)		
15	28462-ZE1-003	ROPE, RECOIL STARTER	1	-	-----	LVL,QT,QVL,VSB1,VSG,VS3,VS4
16	90008-ZE2-003	BOLT, FLANGE, 6X10	3	-	-----	LVL,QT,QVL,VSB1,VSG,VS3,VS4



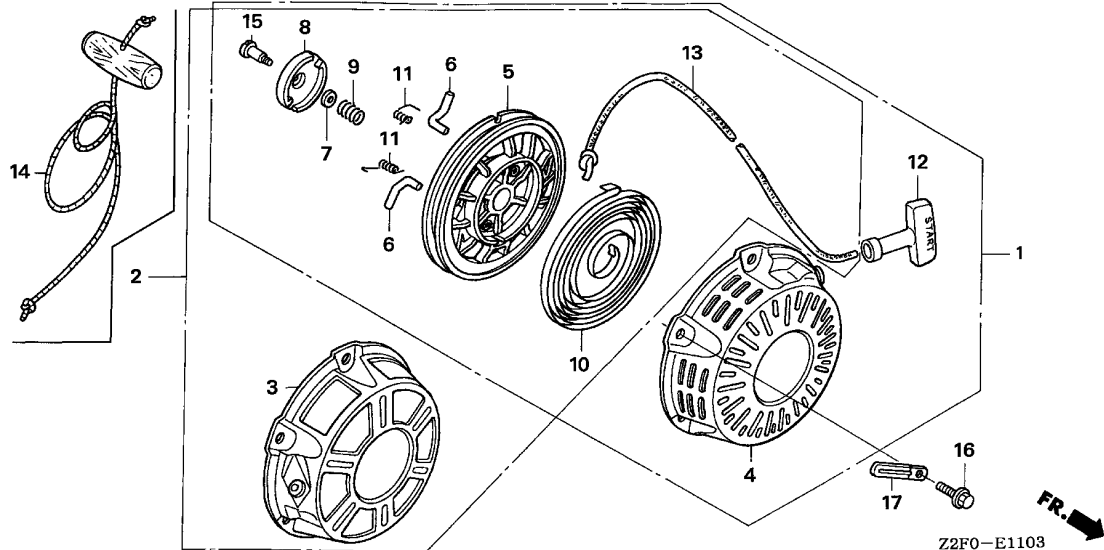
Service item	F.R.T.
STARTER ASSY., RECOIL	0.1
GUIDE, RATCHET	0.2
.RATCHET, STARTER	
PULLEY, RECOIL STARTER	0.3
.ROPE, RECOIL STARTER	
SPRING, RECOIL STARTER	0.4

Ref. No.	Part No.	Description	Reqd. QTY		Serial No.	Parts catalogue code
			GX 160K1 (1)	GX 160K1 (2)		
1	28400-734-013ZF	STARTER ASSY., RECOIL *R280*.....POWER RED	1	-	-----	LJS
2	28410-734-010ZG	CASE COMP., RECOIL STARTER *R280*.....POWER RED	1	-	-----	LJS
3	28420-ZE1-003	PULLEY, RECOIL STARTER	1	-	-----	LJS
4	28422-ZE1-003	RATCHET, STARTER	1	-	-----	LJS
5	28423-ZE1-003	PIN, STARTER RATCHET	1	-	-----	LJS
6	28431-ZE1-003	PLATE, FRICTION	1	-	-----	LJS
7	28441-ZE1-003	SPRING, FRICTION	1	-	-----	LJS
8	28442-ZE1-003	SPRING, RECOIL STARTER	1	-	-----	LJS
9	28443-ZE1-003	GUIDE, RATCHET	1	-	-----	LJS
10	28445-ZE1-003	CASE, RECOIL STARTER SPRING	1	-	-----	LJS
11	28446-ZE1-003	WASHER, STARTER	1	-	-----	LJS
12	28447-ZE1-003	SHAFT, SUB	1	-	-----	LJS
13	28448-ZE1-003	NUT	1	-	-----	LJS
14	28461-ZE1-003	KNOB, RECOIL STARTER	1	-	-----	LJS
15	28462-ZE1-003	ROPE, RECOIL STARTER	1	-	-----	LJS
16	90008-ZE2-003	BOLT, FLANGE, 6X10	2	-	-----	LJS
17	95701-06050-00	BOLT, FLANGE, 6X50	1	-	-----	LJS

E-11-3

RECOIL STARTER(4)

F13



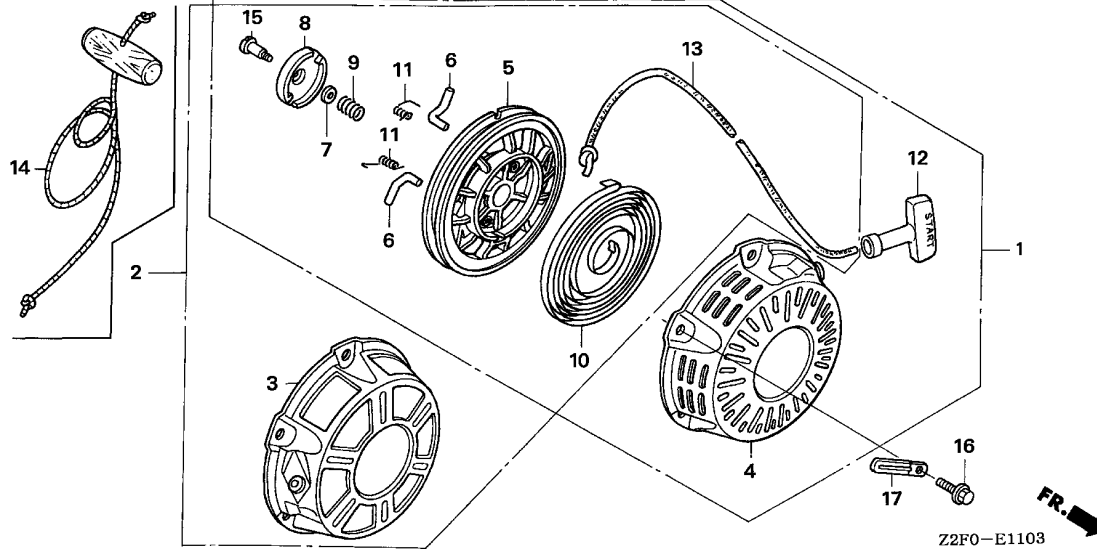
Service item	F.R.T.
STARTER ASSY., RECOIL	0.1
GUIDE, RATCHET	0.2
.RATCHET, STARTER	
REEL, RECOIL STARTER	0.3
.ROPE, RECOIL STARTER	
.ROPE, STARTER	
.SPRING, RECOIL STARTER	

Ref. No.	Part No.	Description	Reqd. QTY		Serial No.	Parts catalogue code
			GX 160K1 (1)	GX 160K1 (2)		
1	28400-ZH8-023YA	STARTER ASSY., RECOIL *R280*.....POWER RED	1	-	-----	AR, ARC6, BL, HH, HHQ4, HH26, HX, HXE2, HXE8, HXU, HX2, HX26, HX4, KR, KTA, LD, LH, LHB3, LHQ4, LJ, LJC7, LJG, LSJ4, LW2, LX, LXU, LX2, LX26, LX4, NJ, NJG, NSJ, PHM, PX, PXU, QAB3, QAX2, QA2, QA26, QBC2, QBT6, QCB2, QCL, QD, QE, QFE4, QGR2, QGR9, QH, QHE, QHP1, QHQ4, QH2, QH26, QI2, QKA4, QMC6, QMC8, QMD6, QME4, QMH, QMX2, QMZ2, QNT, QNT4, QNZ, QP, QPU, QSC2, QS2, QWA4, QX, QXC, QXC6, QXC9, QXE, QXE2, QXE4, QXE6, QXE8, QXF2, QXM1, QXS2, QXU, QXW, QX2, QX22, QX26, QX4, QX7, RD, RD4, RH, RHA2, RHQ4, RH2, RH26, RMB4, RMD, RMG2, RSK, RSS1, RTB2, RX, RXE, RXE2, RXE4, RXU, RX4, SCJ, SD, SDS, SD16, SD4, SE, SG24, SH, SHM, SHQ4, SHRY, SJ, SJC1, SJC5, SJG, SMC7, SMC9, SMJ, SMJ1, SMW2, SMX4, SM11, SM12, SM14, ST, STQ, SX, SXE, SXE4, SXS4, SXU, SX4, SX7, S1CY, TCS2, TX, TXC9, TXU, TX2, TX26, TX4, UXU, VA2, VEBM, VED, VED1, VED2, VED3, VES, VGE4, VG24, VHA7, VHH4, VMS4, VMS7, VMT, VPM4, VPM5, VPM7, VPR4, VPR7, VSD, VSD1, VSD7, VSX, VSX1, VSX3, VS17, VTH4, VTU1, VX, VXE4, VXE7, VXM, VXU, VXU1, VXX2, VX2, VX4, WDA6, WJP, WKD6, WKT2, WKT4, WKT6, WMB0, WME2, WME4, WMT
	28400-ZH8-023ZB	*NH1*.....BLACK	1	(1)	-----	EMA2, HX2, LA1, QMC8, QMX2, QWA4, QX, QXC9, QXE2, QX2, Q1, RH2, SG24, SMX4, SM12, SM14, SSK1, SSS2, S1, TX2, TX4, VED, VED1, VED2, VED3, VED5, VED6, VEN2, VG24, VSD, VSX, VSX1, VWA2, VXD, VXD1
	28400-ZH8-023ZC	*T39*.....GEKO BLUE	1	-	-----	VED2
	28400-ZH8-023ZG	*NH105*...MAT BLACK (#15-#20)	1	-	-----	QWX2, SWX2, SWX4, VSD7, VWA2, VW12
	28400-ZH8-023ZP	*T68*.....TSURUMI BLUE	1	-	-----	VED2
	28400-ZH8-023ZQ	*Y131*.....LIGHTNING YELLOW	1	-	-----	VED2
	28400-ZH8-023ZT	*T77*.....SEC WINE RED	1	-	-----	VSX1
	28400-ZH8-023ZW	*T80*.....BAKELITE ORANGE	1	-	-----	VSX
	28400-ZH8-823ZC	STARTER ASSY., RECOIL (LONG ROPE) *NH1*.....BLACK	1	(1)	-----	QSC9, Q1, S1

2

Ref. No.	Part No.	Description	Reqd. QTY		Serial No.	Parts catalogue code
			GX 160K1 (1)	GX 160K1 (2)		
(1)	28400-ZH8-823ZD	STARTER ASSY., RECOIL (LONG ROPE)				
	R280POWER RED	1	-	-----	QSC9
			-	(1)	-----	
2	28400-ZH8-D53	STARTER ASSY., RECOIL	1	-	-----	NJC1
3	28410-ZH8-D51	CASE COMP., RECOIL STARTER ..	1	-	-----	NJC1
	28414-ZK8-V71	CASE B, STARTER	1	-	-----	SWG4
4	28410-ZH8-003YA	CASE COMP., RECOIL STARTER				
	R280POWER RED	1	-	-----	AR,ARC6,BL,HH,HHQ4,HH26,HX,HXE2,HXE8,HXU,HX2,HX26,HX4,KR,KTA,LD,LH,LHB3,LHQ4,LJ,LJC7,LJG,LSJ4,LW2,LX,LXU,LX2,LX26,LX4,NJ,NJG,NSJ,PHM,PX,PXU,QAB3,QAX2,QA2,QA26,QBC2,QBT6,QCB2,QCL,QD,QE,QFE4,QGR2,QGR9,QH,QHE,QHP1,QHQ4,QH2,QH26,QI2,QKA4,QMC6,QMC8,QMD6,QME4,QMH,QMX2,QMZ2,QNT,QNT4,QNZ,QP,QPU,QSC2,QSC9,QS2,QWA4,QX,QXC,QXC6,QXC9,QXE,QXE2,QXE4,QXE6,QXE8,QXF2,QXM1,QXS2,QXU,QXW,QX2,QX22,QX26,QX4,QX7,RD,RD4,RH,RHA2,RHQ4,RH2,RH26,RMB4,RMD,RMG2,RSK,RSS1,RTB2,RX,RXE,RXE2,RXE4,RXU,RX4,SCJ,SD,SDS,SD16,SD4,SE,SG24,SH,SHM,SHQ4,SHRY,SJ,SJC1,SJC5,SJG,SMC7,SMC9,SMJ,SMJ1,SMW2,SMX4,SM11,SM12,SM14,ST,STQ,SX,SXE,SXE4,SXS4,SXU,SX4,SX7,S1CY,TCS2,TX,TXC9,TXU,TX2,TX26,TX4,UXU,VA2,VEBM,VED,VED1,VED2,VED3,VES,VGE4,VG24,VHA7,VHH4,VMS4,VMS7,VMT,VPM4,VPM5,VPM7,VPR4,VPR7,VSD,VSD1,VSD7,VSX,VSX1,VSX3,VS17,VTH4,VTU1,VX,VXE4,VXE7,VXM,VXU,VXU1,VXW2,VX2,VX4,WDA6,WJP,WKD6,WKT2,WKT4,WKT6,WMB0,WME2,WME4,WMT
	28410-ZH8-003ZB	*NH1*.....BLACK	1	(1)	-----	EMA2,HX2,LA1,QMC8,QMX2,QSC9,QWA4,QX,QXC9,QXE2,QX2,Q1,RH2,SG24,SMX4,SM12,SM14,SSK1,SSX2,S1,TX2,TX4,VED,VED1,VED2,VED3,VED5,VED6,VEN2,VG24,VSD,VSX,VSX1,VWA2,VXD,VXD1
	28410-ZH8-003ZG	*NH105*...MAT BLACK (#15-#20)	1	-	-----	QWX2,SWX2,SWX4,VSD7,VWA2,VW12
	28410-ZH8-003ZP	*T68*.....TSURUMI BLUE	1	-	-----	VED2
	28410-ZH8-003ZQ	*Y131*.....LIGHTNING YELLOW	1	-	-----	VED2
	28410-ZH8-003ZT	*T77*.....SEC WINE RED	1	-	-----	VSX1
	28410-ZH8-003ZW	*T80*.....BAKELITE ORANGE	1	-	-----	VSX
	28414-ZH8-841ZC	CASE B, STARTER				
	R280POWER RED	1	-	-----	STM
5	28421-ZH8-801	REEL, RECOIL STARTER	1	-	-----	AR,ARC6,BL,EMA2,HH,HHQ4,HH26,HX,HXE2,HXE8,HXU,HX2,HX26,HX4,KR,KTA,LA1,LD,LH,LHB3,LHQ4,LJ,LJC7,LJG,LSJ4,LW2,LX,LXU,LX2,LX26,LX4,NJ,NJC1,NJG,NSJ,PHM,PX,PXU,QAB3,QAX2,QA2,QA26,QBC2,QBT6,QCB2,QCL,QD,QE,QFE4,QGR2,QGR9,QH,QHE,QHP1,QHQ4,QH2,QH26,QI2,QKA4,QMC6,QMC8,QMD6,QME4,QMH,QMX2,QMZ2,QNT,QNT4,QNZ,QP,QPU,QSC2,QSC9,QS2,QWA4,QWX2,QX,QXC,QXC6,QXC9,QXE,QXE2,QXE4,QXE6,QXE8,QXF2,QXM1,QXS2,QXU,QXW,QX2,QX22,QX26,QX4,QX7,RD,RD4,RH,RHA2,RHQ4,RH2,RH26,RMB4,RMD,RMG2,RSK,RSS1,RTB2,RX,RXE,RXE2,RXE4,RXU,RX4,SCJ,SD,SDS,SD16,SD4,SE,SG24,SH,SHM,SHQ4,SHRY,SJ,SJC1,SJC5,SJG,SMC7,SMC9,SMJ,SMJ1,SMW2,SMX4,SM11,SM12,SM14,SSK1,SSX2,ST,STQ,SWX2,SWX4,SX,SXE,SXE4,SXS4,SXU,SX4,SX7,S1CY,TCS2,TX,TXC9,TXU,TX2,TX26,TX4,UXU,VA2,VEBM,VED,VED1,VED2,VED3,VED5,VED6,VEN2,VES,VGE4,VG24,VHA7,VHH4,VMS4,VMS7,VMT,VPM4,VPM5,VPM7,VPR4,VPR7,VSD,VSD1,VSD7,VSX,VSX1,VSX3,VS17,VTH4,VTU1,VWA2,VM12,VX,VXD,VXD1,VXE4,VXE7,VXM,VXU,VXU1,VXW2,VX2,VX4,WDA6,WJP,WKD6,WKT2,WKT4,WKT6,WMB0,WME2,WME4,WMT
			-	(1)	-----	

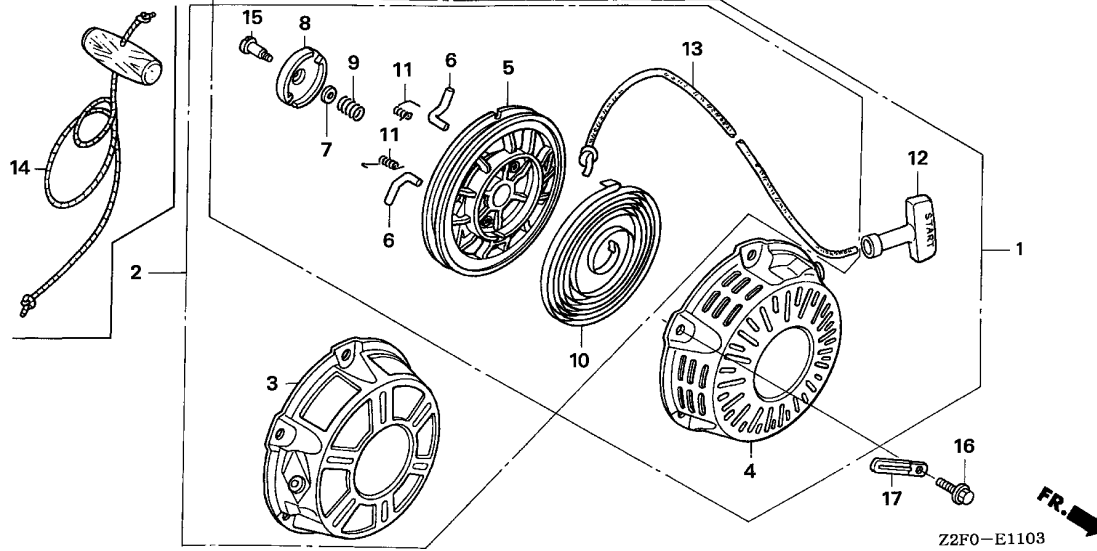




Ref. No.	Part No.	Description	Reqd. QTY		Serial No.	Parts catalogue code
			GX 160K1 (1)	GX 160K1 (2)		
6	28422-ZH8-801	RATCHET, STARTER	2	-	-----	AR, ARC6, BL, EMA2, HH, HHQ4, HH26, HX, HXE2, HXE8, HXU, HX2, HX26, HX4, KR, KTA, LA1, LD, LH, LHB3, LHQ4, LJ, LJC7, LJG, LSJ4, LW2, LX, LXU, LX2, LX26, LX4, NJ, NJC1, NJG, NSJ, PHM, PX, PXU, QAB3, QAX2, QA2, QA26, QBC2, QBT6, QCB2, QCL, QD, QE, QFE4, QGR2, QGR9, QH, QHE, QHP1, QHQ4, QH2, QH26, QI2, QKA4, QMC6, QMC8, QMD6, QME4, QMH, QMX2, QMZ2, QNT, QNT4, QNZ, QP, QPU, QSC2, QSC9, QS2, QWA4, QWX2, QX, QXC, QXC6, QXC9, QXE, QXE2, QXE4, QXE6, QXE8, QXF2, QXM1, QXS2, QXU, QXW, QX2, QX22, QX26, QX4, QX7, RD, RD4, RH, RHA2, RHQ4, RH2, RH26, RMB4, RMD, RMG2, RSK, RSS1, RTB2, RX, RXE, RXE2, RXE4, RXU, RX4, SCJ, SD, SDS, SD16, SD4, SE, SG24, SH, SHM, SHQ4, SHRY, SJ, SJC1, SJC5, SJG, SMC7, SMC9, SMJ, SMJ1, SMW2, SMX4, SM11, SM12, SM14, SSK1, SSS2, ST, STQ, SWX2, SWX4, SX, SXE, SXE4, SXS4, SXU, SX4, SX7, S1CY, TCS2, TX, TXC9, TXU, TX2, TX26, TX4, UXU, VA2, VEBM, VED, VED1, VED2, VED3, VED5, VED6, VEN2, VES, VGE4, VG24, VHA7, VHH4, VMS4, VMS7, VMT, VPM4, VPM5, VPM7, VPR4, VPR7, VSD, VSD1, VSD7, VSX, VSX1, VSX3, VS17, VTH4, VTU1, VWA2, VM12, VX, VXD, VXD1, VXE4, VXE7, VXM, VXU, VXU1, VXW2, VX2, VX4, WDA6, WJP, WKD6, WKT2, WKT4, WKT6, WMBO, WME2, WME4, WMT
			-	(2)		

Ref. No.	Part No.	Description	Reqd. QTY		Serial No.	Parts catalogue code
			GX 160K1 (1)	GX 160K1 (2)		
7	28431-ZH8-801	PLATE, FRICTION	1	-	-----	AR, ARC6, BL, EMA2, HH, HHQ4, HH26, HX, HXE2, HXE8, HXU, HX2, HX26, HX4, KR, KTA, LA1 LD, LH, LHB3, LHQ4, LJ, LJ C7, LJG, LSJ4, LW2, LX, LXU, LX2, LX26, LX4, NJ, NJC1, NJG NSJ, PHM, PX, PXU, QAB3, QAX2, QA2, QA26, QBC2, QBT6, QCB2, QCL, QD, QE, QFE4, QGR2 QGR9, QH, QHE, QHP1, QHQ4, QH2, QH26, QI2, QKA4, QMC6, QMC8, QMD6, QME4, QMH, QMX2 QMZ2, QNT, QNT4, QNZ, QP, QPU, QSC2, QSC9, QS2, QWA4, QWX2, QX, QXC, QXC6, QXC9, QXE QXE2, QXE4, QXE6, QXE8, QXF2, QXM1, QXS2, QXU, QXW, QX2, QX22, QX26, QX4, QX7, RD RD4, RH, RHA2, RHQ4, RH2, RH26, RMB4, RMD, RMG2, RSK, RSS1, RTB2, RX, RXE, RXE2 RXE4, RXU, RX4, SCJ, SD, SDS, SD16, SD4, SE, SG24, SH, SHM, SHQ4, SHRY, SJ, SJC1 SJC5, SJG, SMC7, SMC9, SMJ, SMJ1, SMW2, SMX4, SM11, SM12, SM14, SSK1, SSSX2, ST, STQ SWX2, SWX4, SX, SXE, SXE4, SXS4, SXU, SX4, SX7, S1CY, TCS2, TX, TXC9, TXU, TX2, TX26 TX4, UXU, VA2, VEBM, VED, VED1, VED2, VED3, VED5, VED6, VEN2, VES, VGE4, VG24, VHA7 VHH4, VMS4, VMS7, VMT, VPM4, VPM5, VPM7, VPR4, VPR7, VSD, VSD1, VSD7, VSX, VSX1 VSX3, VS17, VTH4, VTU1, VWA2, VM12, VX, VXD, VXD1, VXE4, VXE7, VXM, VXU, VXU1, VXXW2 VX2, VX4, WDA6, WJP, WKD6, WKT2, WKT4, WKT6, WMBO, WME2, WME4, WMT
8	28433-ZH8-801	GUIDE, RATCHET	1	(1)	-----	AR, ARC6, BL, EMA2, HH, HHQ4, HH26, HX, HXE2, HXE8, HXU, HX2, HX26, HX4, KR, KTA, LA1 LD, LH, LHB3, LHQ4, LJ, LJ C7, LJG, LSJ4, LW2, LX, LXU, LX2, LX26, LX4, NJ, NJC1, NJG NSJ, PHM, PX, PXU, QAB3, QAX2, QA2, QA26, QBC2, QBT6, QCB2, QCL, QD, QE, QFE4, QGR2 QGR9, QH, QHE, QHP1, QHQ4, QH2, QH26, QI2, QKA4, QMC6, QMC8, QMD6, QME4, QMH, QMX2 QMZ2, QNT, QNT4, QNZ, QP, QPU, QSC2, QSC9, QS2, QWA4, QWX2, QX, QXC, QXC6, QXC9, QXE QXE2, QXE4, QXE6, QXE8, QXF2, QXM1, QXS2, QXU, QXW, QX2, QX22, QX26, QX4, QX7, RD RD4, RH, RHA2, RHQ4, RH2, RH26, RMB4, RMD, RMG2, RSK, RSS1, RTB2, RX, RXE, RXE2 RXE4, RXU, RX4, SCJ, SD, SDS, SD16, SD4, SE, SG24, SH, SHM, SHQ4, SHRY, SJ, SJC1 SJC5, SJG, SMC7, SMC9, SMJ, SMJ1, SMW2, SMX4, SM11, SM12, SM14, SSK1, SSSX2, ST, STQ SWX2, SWX4, SX, SXE, SXE4, SXS4, SXU, SX4, SX7, S1CY, TCS2, TX, TXC9, TXU, TX2, TX26 TX4, UXU, VA2, VEBM, VED, VED1, VED2, VED3, VED5, VED6, VEN2, VES, VGE4, VG24, VHA7 VHH4, VMS4, VMS7, VMT, VPM4, VPM5, VPM7, VPR4, VPR7, VSD, VSD1, VSD7, VSX, VSX1 VSX3, VS17, VTH4, VTU1, VWA2, VM12, VX, VXD, VXD1, VXE4, VXE7, VXM, VXU, VXU1, VXXW2 VX2, VX4, WDA6, WJP, WKD6, WKT2, WKT4, WKT6, WMBO, WME2, WME4, WMT
9	28441-ZH8-801	SPRING, FRICTION	1	(1)	-----	AR, ARC6, BL, EMA2, HH, HHQ4, HH26, HX, HXE2, HXE8, HXU, HX2, HX26, HX4, KR, KTA, LA1 LD, LH, LHB3, LHQ4, LJ, LJ C7, LJG, LSJ4, LW2, LX, LXU, LX2, LX26, LX4, NJ, NJC1, NJG NSJ, PHM, PX, PXU, QAB3, QAX2, QA2, QA26, QBC2, QBT6, QCB2, QCL, QD, QE, QFE4, QGR2 QGR9, QH, QHE, QHP1, QHQ4, QH2, QH26, QI2, QKA4, QMC6, QMC8, QMD6, QME4, QMH, QMX2 QMZ2, QNT, QNT4, QNZ, QP, QPU, QSC2, QSC9, QS2, QWA4, QWX2, QX, QXC, QXC6, QXC9, QXE QXE2, QXE4, QXE6, QXE8, QXF2, QXM1, QXS2, QXU, QXW, QX2, QX22, QX26, QX4, QX7, RD RD4, RH, RHA2, RHQ4, RH2, RH26, RMB4, RMD, RMG2, RSK, RSS1, RTB2, RX, RXE, RXE2 RXE4, RXU, RX4, SCJ, SD, SDS, SD16, SD4, SE, SG24, SH, SHM, SHQ4, SHRY, SJ, SJC1 SJC5, SJG, SMC7, SMC9, SMJ, SMJ1, SMW2, SMX4, SM11, SM12, SM14, SSK1, SSSX2, ST, STQ SWX2, SWX4, SX, SXE, SXE4, SXS4, SXU, SX4, SX7, S1CY, TCS2, TX, TXC9, TXU, TX2, TX26 TX4, UXU, VA2, VEBM, VED, VED1, VED2, VED3, VED5, VED6, VEN2, VES, VGE4, VG24, VHA7 VHH4, VMS4, VMS7, VMT, VPM4, VPM5, VPM7, VPR4, VPR7, VSD, VSD1, VSD7, VSX, VSX1 VSX3, VS17, VTH4, VTU1, VWA2, VM12, VX, VXD, VXD1, VXE4, VXE7, VXM, VXU, VXU1, VXXW2 VX2, VX4, WDA6, WJP, WKD6, WKT2, WKT4, WKT6, WMBO, WME2, WME4, WMT





Ref. No.	Part No.	Description	Reqd. QTY		Serial No.	Parts catalogue code
			GX 160K1 (1)	GX 160K1 (2)		
10	28442-ZH8-003	SPRING, RECOIL STARTER	1	-	-----	AR, ARC6, BL, EMA2, HH, HHQ4, HH26, HX, HXE2, HXE8, HXU, HX2, HX26, HX4, KR, KTA, LA1, LD, LH, LHB3, LHQ4, LJ, LJC7, LJG, LSJ4, LW2, LX, LXU, LX2, LX26, LX4, NJ, NJC1, NJG, NSJ, PHM, PX, PXU, QAB3, QAX2, QA2, QA26, QBC2, QBT6, QCB2, QCL, QD, QE, QFE4, QGR2, QGR9, QH, QHE, QHP1, QHQ4, QH2, QH26, QI2, QKA4, QMC6, QMC8, QMD6, QME4, QMH, QMX2, QMZ2, QNT, QNT4, QNZ, QP, QPU, QSC2, QSC9, QS2, QWA4, QWX2, QX, QXC, QXC6, QXC9, QXE, QXE2, QXE4, QXE6, QXE8, QXF2, QXM1, QXS2, QXU, QXW, QX2, QX22, QX26, QX4, QX7, RD, RD4, RH, RHA2, RHQ4, RH2, RH26, RMB4, RMD, RMG2, RSK, RSS1, RTB2, RX, RXE, RXE2, RXE4, RXU, RX4, SCJ, SD, SDS, SD16, SD4, SE, SG24, SH, SHM, SHQ4, SHRY, SJ, SJC1, SJC5, SJG, SMC7, SMC9, SMJ, SMJ1, SMW2, SMX4, SM11, SM12, SM14, SSK1, SSS2, ST, STQ, SWX2, SWX4, SX, SXE, SXE4, SXS4, SXU, SX4, SX7, S1CY, TCS2, TX, TXC9, TXU, TX2, TX26, TX4, UXU, VA2, VEBM, VED, VED1, VED2, VED3, VED5, VED6, VEN2, VES, VGE4, VG24, VHA7, VHH4, VMS4, VMS7, VMT, VPM4, VPM5, VPM7, VPR4, VPR7, VSD, VSD1, VSD7, VSX, VSX1, VSX3, VS17, VTH4, VTU1, VWA2, VM12, VX, VXD, VXD1, VXE4, VXE7, VXM, VXU, VXU1, VXX2, VX2, VX4, WDA6, WJP, WKD6, WKT2, WKT4, WKT6, WMBO, WME2, WME4, WMT
			-	(1)		

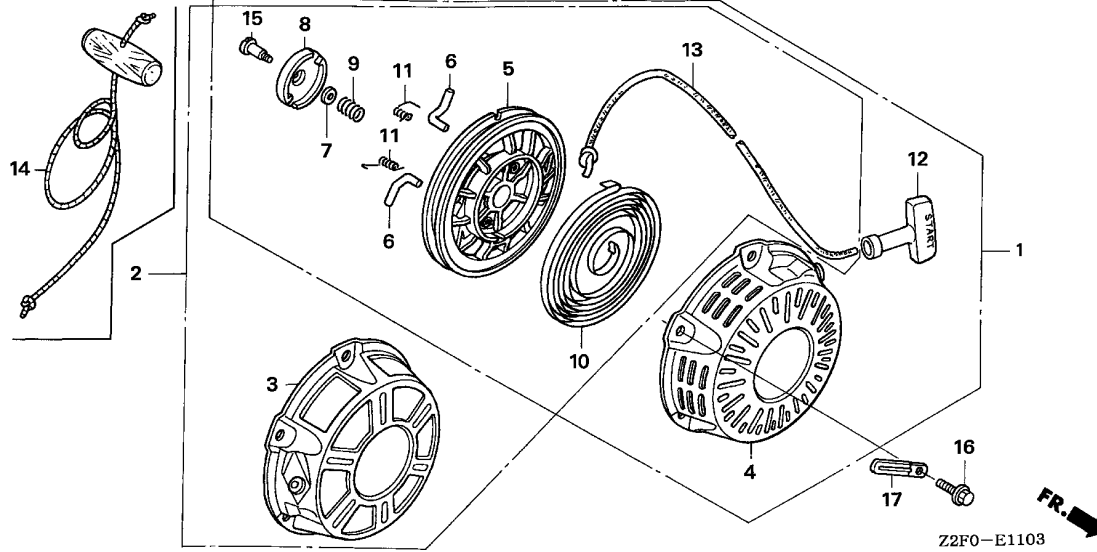
Ref. No.	Part No.	Description	Reqd. QTY		Serial No.	Parts catalogue code
			GX 160K1 (1)	GX 160K1 (2)		
11	28443-ZH8-801	SPRING, RETURN	2	-	-----	AR, ARC6, BL, EMA2, HH, HHQ4, HH26, HX, HXE2, HXE8, HXU, HX2, HX26, HX4, KR, KTA, LA1 LD, LH, LHB3, LHQ4, LJ, LJC7, LJG, LSJ4, LW2, LX, LXU, LX2, LX26, LX4, NJ, NJC1, NJG NSJ, PHM, PX, PXU, QAB3, QAX2, QA2, QA26, QBC2, QBT6, QCB2, QCL, QD, QE, QFE4, QGR2 QGR9, QH, QHE, QHP1, QHQ4, QH2, QH26, QI2, QKA4, QMC6, QMC8, QMD6, QME4, QMH, QMX2 QMZ2, QNT, QNT4, QNZ, QP, QPU, QSC2, QSC9, QS2, QWA4, QWX2, QX, QXC, QXC6, QXC9, QXE QXE2, QXE4, QXE6, QXE8, QXF2, QXM1, QXS2, QXU, QXW, QX2, QX22, QX26, QX4, QX7, RD RD4, RH, RHA2, RHQ4, RH2, RH26, RMB4, RMD, RMG2, RSK, RSS1, RTB2, RX, RXE, RXE2 RXE4, RXU, RX4, SCJ, SD, SDS, SD16, SD4, SE, SG24, SH, SHM, SHQ4, SHRY, SJ, SJC1 SJC5, SJG, SMC7, SMC9, SMJ, SMJ1, SMW2, SMX4, SM11, SM12, SM14, SSK1, SSSX2, ST, STQ SWX2, SWX4, SX, SXE, SXE4, SXS4, SXU, SX4, SX7, S1CY, TCS2, TX, TXC9, TXU, TX2, TX26 TX4, UXU, VA2, VEBM, VED, VED1, VED2, VED3, VED5, VED6, VEN2, VES, VGE4, VG24, VHA7 VHH4, VMS4, VMS7, VMT, VPM4, VPM5, VPM7, VPR4, VPR7, VSD, VSD1, VSD7, VSX, VSX1 VSX3, VS17, VTH4, VTU1, VWA2, VM12, VX, VXD, VXD1, VXE4, VXE7, VXM, VXU, VXU1, VXX2 VX2, VX4, WDA6, WJP, WKD6, WKT2, WKT4, WKT6, WMBO, WME2, WME4, WMT
12	28461-ZH8-003	GRIP, STARTER	1	(2)	-----	AR, ARC6, BL, EMA2, HH, HHQ4, HH26, HX, HXE2, HXE8, HXU, HX2, HX26, HX4, KR, KTA, LA1 LD, LH, LHB3, LHQ4, LJ, LJC7, LJG, LSJ4, LW2, LX, LXU, LX2, LX26, LX4, NJ, NJC1, NJG NSJ, PHM, PX, PXU, QAB3, QAX2, QA2, QA26, QBC2, QBT6, QCB2, QCL, QD, QE, QFE4, QGR2 QGR9, QH, QHE, QHP1, QHQ4, QH2, QH26, QI2, QKA4, QMC6, QMC8, QMD6, QME4, QMH, QMX2 QMZ2, QNT, QNT4, QNZ, QP, QPU, QSC2, QSC9, QS2, QWA4, QWX2, QX, QXC, QXC6, QXC9, QXE QXE2, QXE4, QXE6, QXE8, QXF2, QXM1, QXS2, QXU, QXW, QX2, QX22, QX26, QX4, QX7, RD RD4, RH, RHA2, RHQ4, RH2, RH26, RMB4, RMD, RMG2, RSK, RSS1, RTB2, RX, RXE, RXE2 RXE4, RXU, RX4, SCJ, SD, SDS, SD16, SD4, SE, SG24, SH, SHM, SHQ4, SHRY, SJ, SJC1 SJC5, SJG, SMC7, SMC9, SMJ, SMJ1, SMW2, SMX4, SM11, SM12, SM14, SSK1, SSSX2, ST, STQ SWX2, SWX4, SX, SXE, SXE4, SXS4, SXU, SX4, SX7, S1CY, TCS2, TX, TXC9, TXU, TX2, TX26 TX4, UXU, VA2, VEBM, VED, VED1, VED2, VED3, VED5, VED6, VEN2, VES, VGE4, VG24, VHA7 VHH4, VMS4, VMS7, VMT, VPM4, VPM5, VPM7, VPR4, VPR7, VSD, VSD1, VSD7, VSX, VSX1 VSX3, VS17, VTH4, VTU1, VWA2, VM12, VX, VXD, VXD1, VXE4, VXE7, VXM, VXU, VXU1, VXX2 VX2, VX4, WDA6, WJP, WKD6, WKT2, WKT4, WKT6, WMBO, WME2, WME4, WMT
13	28462-ZH8-003	ROPE, RECOIL STARTER	1	(1)	-----	AR, ARC6, BL, EMA2, HH, HHQ4, HH26, HX, HXE2, HXE8, HXU, HX2, HX26, HX4, KR, KTA, LA1 LD, LH, LHB3, LHQ4, LJ, LJC7, LJG, LSJ4, LW2, LX, LXU, LX2, LX26, LX4, NJ, NJC1, NJG NSJ, PHM, PX, PXU, QAB3, QAX2, QA2, QA26, QBC2, QBT6, QCB2, QCL, QD, QE, QFE4, QGR2 QGR9, QH, QHE, QHP1, QHQ4, QH2, QH26, QI2, QKA4, QMC6, QMC8, QMD6, QME4, QMH, QMX2 QMZ2, QNT, QNT4, QNZ, QP, QPU, QSC2, QS2, QWA4, QWX2, QX, QXC, QXC6, QXC9, QXE, QXE2 QXE4, QXE6, QXE8, QXF2, QXM1, QXS2, QXU, QXW, QX2, QX22, QX26, QX4, QX7, RD, RD4, RH RHA2, RHQ4, RH2, RH26, RMB4, RMD, RMG2, RSK, RSS1, RTB2, RX, RXE, RXE2, RXE4, RXU RX4, SCJ, SD, SDS, SD16, SD4, SE, SG24, SH, SHM, SHQ4, SHRY, SJ, SJC1, SJC5, SJG SMC7, SMC9, SMJ, SMJ1, SMW2, SMX4, SM11, SM12, SM14, SSK1, SSSX2, ST, STQ, SWX2 SWX4, SX, SXE, SXE4, SXS4, SXU, SX4, SX7, S1CY, TCS2, TX, TXC9, TXU, TX2, TX26, TX4 UXU, VA2, VEBM, VED, VED1, VED2, VED3, VED5, VED6, VEN2, VES, VGE4, VG24, VHA7 VHH4, VMS4, VMS7, VMT, VPM4, VPM5, VPM7, VPR4, VPR7, VSD, VSD1, VSD7, VSX, VSX1 VSX3, VS17, VTH4, VTU1, VWA2, VM12, VX, VXD, VXD1, VXE4, VXE7, VXM, VXU, VXU1, VXX2 VX2, VX4, WDA6, WJP, WKD6, WKT2, WKT4, WKT6, WMBO, WME2, WME4, WMT
14	28462-ZH8-821 28470-816-000	ROPE, RECOIL STARTER (LONG) . ROPE, STARTER	1	(1)	-----	QSC9, Q1, S1



E-11-3

RECOIL STARTER(4)

G 3



Z2F0-E1103

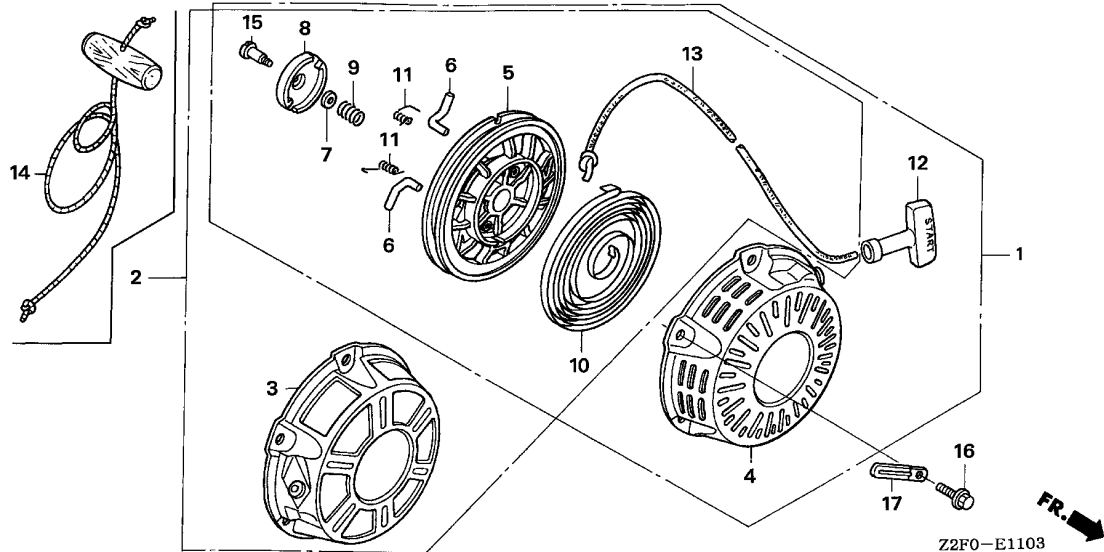
Ref. No.	Part No.	Description	Reqd. QTY		Serial No.	Parts catalogue code
			GX 160K1 (1)	GX 160K1 (2)		
15	90003-ZH8-801	SCREW, SETTING	1	-	-	AR, ARC6, BL, EMA2, HH, HHQ4, HH26, HX, HXE2, HXE8, HXU, HX2, HX26, HX4, KR, KTA, LA1, LD, LH, LHB3, LHQ4, LJ, LJC7, LJG, LSJ4, LW2, LX, LXU, LX2, LX26, LX4, NJ, NJC1, NJG, NSJ, PHM, PX, PXU, QAB3, QAX2, QA2, QA26, QBC2, QBT6, QCB2, QCL, QD, QE, QFE4, QGR2, QGR9, QH, QHE, QHP1, QHQ4, QH2, QH26, QI2, QKA4, QMC6, QMC8, QMD6, QME4, QMH, QMX2, QMZ2, QNT, QNT4, QNZ, QP, QPU, QSC2, QSC9, QS2, QWA4, QWX2, QX, QXC, QXC6, QXC9, QXE, QXE2, QXE4, QXE6, QXE8, QXF2, QXM1, QXS2, QXU, QXW, QX2, QX22, QX26, QX4, QX7, RD, RD4, RH, RHA2, RHQ4, RH2, RH26, RMB4, RMD, RMG2, RSK, RSS1, RTB2, RX, RXE, RXE2, RXE4, RXU, RX4, SCJ, SD, SDS, SD16, SD4, SE, SG24, SH, SHM, SHQ4, SHRY, SJ, SJC1, SJC5, SJG, SMC7, SMC9, SMJ, SMJ1, SMW2, SMX4, SM11, SM12, SM14, SSK1, SSS2, ST, STQ, SWX2, SWX4, SX, SXE, SXE4, SXS4, SXU, SX4, SX7, S1CY, TCS2, TX, TXC9, TXU, TX2, TX26, TX4, UXU, VA2, VEBM, VED, VED1, VED2, VED3, VED5, VED6, VEN2, VES, VGE4, VG24, VHA7, VHH4, VMS4, VMS7, VMT, VPM4, VPM5, VPM7, VPR4, VPR7, VSD, VSD1, VSD7, VSX, VSX1, VSX3, VS17, VTH4, VTU1, VWA2, VW12, VX, VXD, VXD1, VXE4, VXE7, VXM, VXU, VXU1, VXX2, VX2, VX4, WDA6, WJP, WKD6, WKT2, WKT4, WKT6, WMBO, WME2, WME4, WMT
			-	(1)		

2

E-11-3

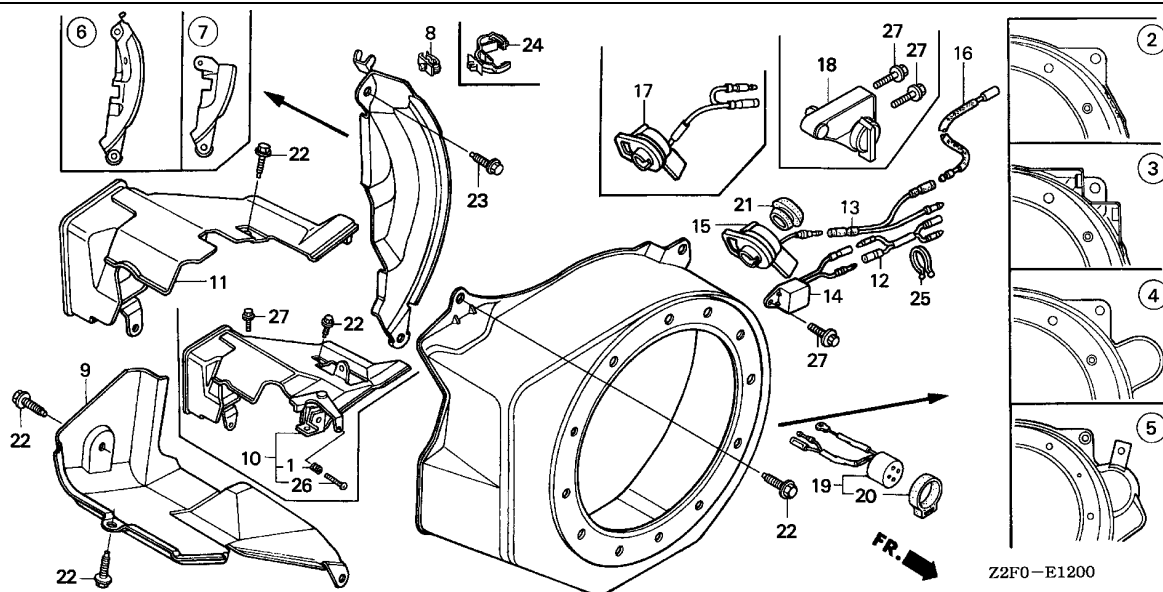
RECOIL STARTER(4)

G 4



2

Ref. No.	Part No.	Description	Reqd. QTY		Serial No.	Parts catalogue code
			GX 160K1 (1)	GX 160K1 (2)		
16	90008-ZE2-003	BOLT, FLANGE, 6X10	3	-	-	AR, ARC6, BL, EMA2, HH, HHQ4, HH26, HX, HXE2, HXE8, HXU, HX2, HX26, HX4, KR, KTA, LA1 LD, LH, LHB3, LHQ4, LJ, LJC7, LJG, LSJ4, LW2, LX, LXU, LX2, LX26, LX4, NJ, NJC1, NJG NSJ, PHM, PX, PXU, QAB3, QAX2, QA2, QA26, QBC2, QBT6, QCB2, QCL, QD, QE, QFE4, QGR2 QGR9, QH, QHE, QHP1, QHQ4, QH2, QH26, QI2, QKA4, QMC6, QMC8, QMD6, QME4, QMH, QMX2 QMZ2, QNT, QNT4, QNZ, QP, QPU, QSC2, QSC9, QS2, QWA4, QWX2, QX, QXC, QXC6, QXC9, QXE QXE2, QXE4, QXE6, QXE8, QXF2, QXM1, QXS2, QXU, QXW, QX2, QX22, QX26, QX4, QX7, RD RD4, RH, RHA2, RHQ4, RH2, RH26, RMB4, RMD, RMG2, RSK, RSS1, RTB2, RX, RXE, RXE2 RXE4, RXU, RX4, SCJ, SD, SDS, SD16, SD4, SE, SG24, SH, SHM, SHQ4, SHRY, SJ, SJC1 SJC5, SJG, SMC7, SMC9, SMJ, SMJ1, SMW2, SMX4, SM11, SM12, SM14, SSK1, SSS2, ST, STM STQ, SWG4, SWX2, SWX4, SX, SXE, SXE4, SXS4, SXU, SX4, SX7, S1CY, TCS2, TX, TXC9, TXU TX2, TX26, TX4, UXU, VA2, VEBM, VED, VED1, VED2, VED3, VED5, VED6, VEN2, VES, VGE4 VG24, VHA7, VHH4, VMS4, VMS7, VMT, VPM4, VPM5, VPM7, VPR4, VPR7, VSD, VSD1, VSD7 VS17, VTH4, VTU1, VWA2, VW12, VX, VXD, VXD1, VXE4, VXE7, VXM, VXU, VXU1, VXW2, VX2 VX4, WDA6, WJP, WKD6, WKT2, WKT4, WKT6, WMBO, WME2, WME4, WMT
17	91406-671-000	CLIP, WIRE HARNESS	1	(3)	-	ST, STM
	32901-MA1-000	CLIP, SUB CORD	1	-	-	SM11, SM12, SM14



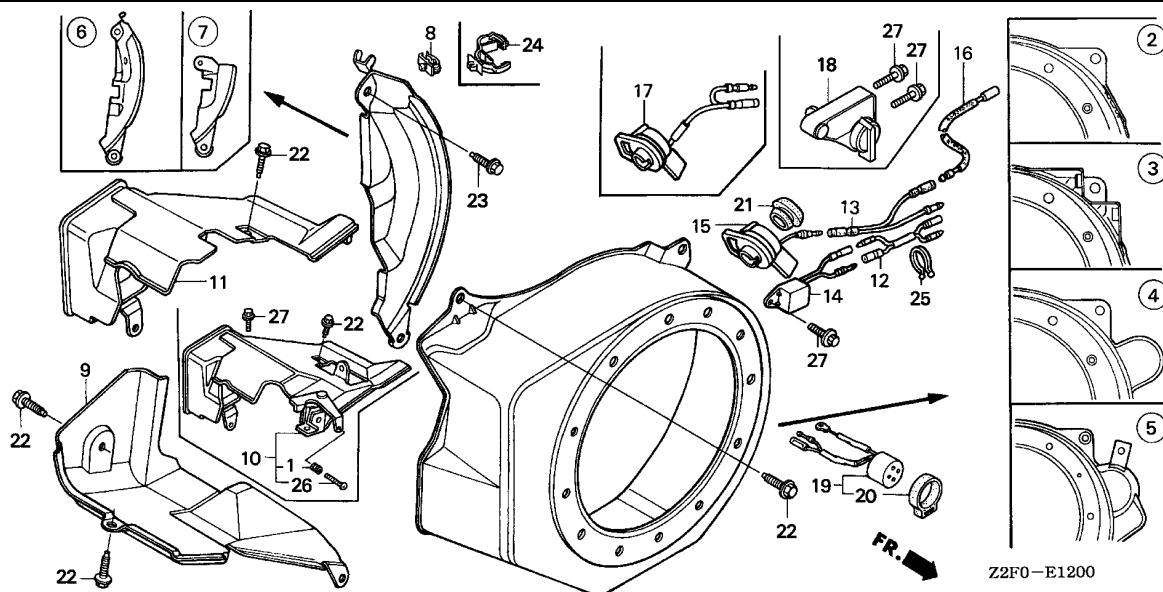
Service item	F.R.T.
ALERT UNIT, OIL	0.1
.BUZZER ASSY.	
.CABLE, DOUBLE CONNECTOR	
.SUB HARNESS	
COVER COMP., FAN	0.2
.SHROUD ASSY., UPPER	
.SHROUD COMP., LOWER	
.SWITCH ASSY., ENGINE STOP	
CORD A, ENGINE STOP	0.3
.PLATE, SIDE	

2

Ref. No.	Part No.	Description	Reqd. QTY		Serial No.	Parts catalogue code
			GX 160K1 (1)	GX 160K1 (2)		
1	16584-883-300	SPRING, CONTROL ADJUSTING ...	1	-	-----	EMA2,VED2,VED3,VEN2,VES,VMT,VSU1,VSG,VS3,VS4
2	19610-ZB2-601ZE	COVER COMP., FAN			-----	LSJ4,SHRY,SJC1,SJC5
	19610-ZB6-000	*R280*.....POWER RED	1	-	-----	NJC1
	19610-ZE1-000ZC	*NH1*.....BLACK	1	(1)	-----	EMA2,HX2,LA1,QMC8,QMX2,QSC9,QWA4,QX,QXC9,QX2,Q1,RH2,SG24,SMX4,SM12,SM14,SSK1,SSX2,S1,TX2,TX4,VED,VED1,VED2,VED3,VED5,VED6,VEN2,VG24,VSD,VSX,VSX1,VS3,VS4,VWA2,VXD,VXD1
	19610-ZE1-000ZD	*T39*.....GEKO BLUE	1	-	-----	VED2
	19610-ZE1-000ZG	*NH105*...MAT BLACK (#15-#20)	1	-	-----	QWX2,SWX2,SWX4,VSD7,VWA2,VW12
	19610-ZE1-000ZK	*T68*.....TSURUMI BLUE	1	-	-----	VED2
	19610-ZE1-000ZL	*Y131*.....LIGHTNING YELLOW	1	-	-----	VED2,VS4
	19610-ZE1-000ZM	*T77*.....SEC WINE RED	1	-	-----	VSX1,VS3,VS4
	19610-ZE1-000ZN	*T80*.....BAKELITE ORANGE	1	-	-----	VSX,VS3,VS4
	19610-ZE1-000ZP	*R280*.....POWER RED	1	-	-----	BL,HG12,HH,HHQ4,HH26,HX,HXU,HX2,HX26,HX4,KTA,LD,LH,LHB3,LHQ4,LJ,LJC7,LJG,LJS,LVL,LW2,LX,LXU,LX2,LX26,LX4,NJ,NJG,NSJ,PHM,PX,PXU,QAB3,QAX2,QA2,QA26,QBC2,QBT6,QCB2,QCL,QD,QE,QFE4,QGR2,QGR9,QH,QHP1,QHQ4,QH2,QH26,QI2,QMC6,QMC8,QMD6,QME4,QMH,QMX2,QMZ2,QNT,QNT4,QP,QPU,QSC9,QS2,QT,QVL,QWA4,QX,QXC,QXC6,QXC9,QXF2,QXM1,QXS2,QXU,QX2,QX22,QX26,QX4,QX7,RD,RD4,RH,RHA2,RHQ4,RH2,RH26,RMB4,RMD,RMG2,RSK,RSS1,RTB2,RX,RXU,RX4,SCJ,SD,SDS,SD16,SD4,SE,SG24,SH,SHM,SHQ4,SJ,SJG,SMC7,SMC9,SMJ,SMJ1,SMW2,SMX4,SM11,SM12,SM14,SNX,STQ,SX,SXS4,SXU,SX4,SX7,S1CY,TCS2,TX,TXC9,TXU,TX2,TX26,TX4,UXU,VA2,VEBM,VED,VED1,VED2,VED3,VES,VGE4,VG24,VHA7,VHH4,VMS4,VMS7,VMT,VPM4,VPM5,VPM7,VPR4,VPR7,VSU1,VSD,VSD7,VSG,VSX,VSX1,VSX3,VS3,VTU1,VX,VXM,VXU,VXU1,VXW2,VX2,VX4,WDA6,WJP,WKD6,WKT2,WKT4,WKT6,WMB0,WME2,WME4,WMT
	19610-ZK8-V00ZD	*R280*.....POWER RED	-	(1)	-----	AR,ARC6,KR

Ref. No.	Part No.	Description	Reqd. QTY		Serial No.	Parts catalogue code
			GX 160K1 (1)	GX 160K1 (2)		
3	19610-ZE1-810ZG	COVER COMP., FAN (OIL ALERT) *R280*.....POWER RED	1	-	-----	VSD1,VS17
4	19610-ZE1-820ZG	COVER COMP., FAN (STARTER MOTOR) *R280*.....POWER RED	1	-	-----	QNZ,SKM,SNX1,ST,STM,SWG4
			-	(1)		
5	19610-ZE1-830ZA	COVER COMP., FAN (STARTER MOTOR) *NH1*.....BLACK	1	(1)	-----	QXE2,Q1,S1
	19610-ZE1-830ZG	*R280*.....POWER RED	1	-	-----	HXE2,HXE8,QHE,QKA4,QSC2,QXE,QXE2,QXE4,QXE6,QXE8,QXW,RXE,RXE2,RXE4,SXE SXE4,VTH4,VXE4,VXE7
			-	(1)		
6	19611-ZH8-810	PLATE COMP., SIDE (OIL ALERT)	1	-	-----	HG12,HX,HXU,HX2,HX26,HX4,LA1,LJC7,LX,LXU,LX2,LX26,LX4,PX,PXU,QBT6,QCL QGR2,QI2,QMC8,QMH,QMX2,QNT,QNT4,QS2,QWA4,QWX2,QX,QXC,QXC6,QXC9,QXF2 QXM1,QXU,QX2,QX22,QX26,QX4,QX7,RX,RXU,RX4,SG24,SJC1,SJC5,SMC7,SMJ SMJ1,SMW2,SMX4,SM12,SM14,SNX,SSX2,SWX2,SWX4,SX,SXS4,SXU,SX4,SX7,TCS2 TX,TC9,TXU,TX2,TX26,TX4,UXU,VA2,VEBM,VED1,VED2,VED3,VED5,VED6,VEN2 VGE4,VG24,VHA7,VHH4,VMS4,VMS7,VMT,VPM4,VPM5,VPM7,VPR4,VPR7,VSB1,VSD VSD1,VSD7,VSG,VSX,VSX1,VSX3,VS17,VS3,VS4,VTU1,VWA2,VW12,VX,VXM,VXU VXU1,VXW2,VX2,VX4,WKD6,WKT2,WKT4,WKT6,WME2,WMT
			-	(1)		
	19611-ZH8-820	PLATE COMP., SIDE (ALERT & LAMP)	1	-	-----	EMA2,QAX2,QGR9,QMD6,QSC9,QXS2,SMC9,VES,VXD,VXD1
			-	(1)		
	19612-ZH8-000	PLATE, SIDE (STD.)	1	-	-----	BL,HH,HHQ4,HH26,KTA,LD,LH,LHB3,LHQ4,LJ,LJG,LJS,LSJ4,LVL,NJ,NJC1,NJG PHM,QAB3,QA2,QA26,QBC2,QCB2,QD,QE,QFE4,QH,QHP1,QHQ4,QH2,QH26,QME4 QMZ2,QPU,QT,QVL,RD,RD4,RH,RHQ4,RH2,RH26,RMB4,RMD,RSS1,RTB2,SCJ,SD SD16,SD4,SE,SH,SHM,SHQ4,SHRY,SJ,SJG,SM11,SSK1,STQ,S1CY,VED,WDA6,WJP WMB0,WME4
			-	(1)		
	19612-ZH8-812	PLATE, SIDE (OIL ALERT)	1	-	-----	HG12,HX,HXU,HX2,HX26,HX4,LA1,LJC7,LX,LXU,LX2,LX26,LX4,PX,PXU,QBT6,QCL QGR2,QI2,QMC8,QMH,QMX2,QNT,QNT4,QS2,QWA4,QWX2,QX,QXC,QXC6,QXC9,QXF2 QXM1,QXU,QX2,QX22,QX26,QX4,QX7,RX,RXU,RX4,SG24,SJC1,SJC5,SMC7,SMJ SMJ1,SMW2,SMX4,SM12,SM14,SNX,SSX2,SWX2,SWX4,SX,SXS4,SXU,SX4,SX7,TCS2 TX,TC9,TXU,TX2,TX26,TX4,UXU,VA2,VEBM,VED1,VED2,VED3,VED5,VED6,VEN2 VGE4,VG24,VHA7,VHH4,VMS4,VMS7,VMT,VPM4,VPM5,VPM7,VPR4,VPR7,VSB1,VSD VSD1,VSD7,VSG,VSX,VSX1,VSX3,VS17,VS3,VS4,VTU1,VWA2,VW12,VX,VXM,VXU VXU1,VXW2,VX2,VX4,WKD6,WKT2,WKT4,WKT6,WME2,WMT
			-	(1)		
	19612-ZH8-821	PLATE, SIDE (LAMP)	1	-	-----	EMA2,LW2,NSJ,QAX2,QGR9,QMC6,QMD6,QP,QSC9,QXS2,RHA2,RMG2,RSK,SDS,SMC9 VES,VXD,VXD1
			-	(1)		
	19612-ZK8-V00	PLATE, SIDE	1	-	-----	AR,ARC6,KR
7	19612-ZH8-840	PLATE, SIDE (STARTER MOTOR)	1	-	-----	HXE2,HXE8,QHE,QKA4,QNZ,QSC2,QXE,QXE2,QXE4,QXE6,QXE8,QXW,RXE,RXE2,RXE4 SKM,SNX1,ST,STM,SWG4,SXE,SXE4,VTH4,VXE4,VXE7
			-	(1)		
8	19613-ZE1-020	CLAMP, CORD	1	-	-----	NSJ,RHA2,SNX,VED2,VED3,VEN2,VES,VGE4,VPM4,VPM7,VPR4,VPR7,VSB1,VSG,VS3 VS4
9	19630-ZB2-000	SHROUD COMP., LOWER	1	-	-----	EMA2,SKM,VED2,VED3,VEN2,VES,VMT,VSB1,VSG,VS3,VS4



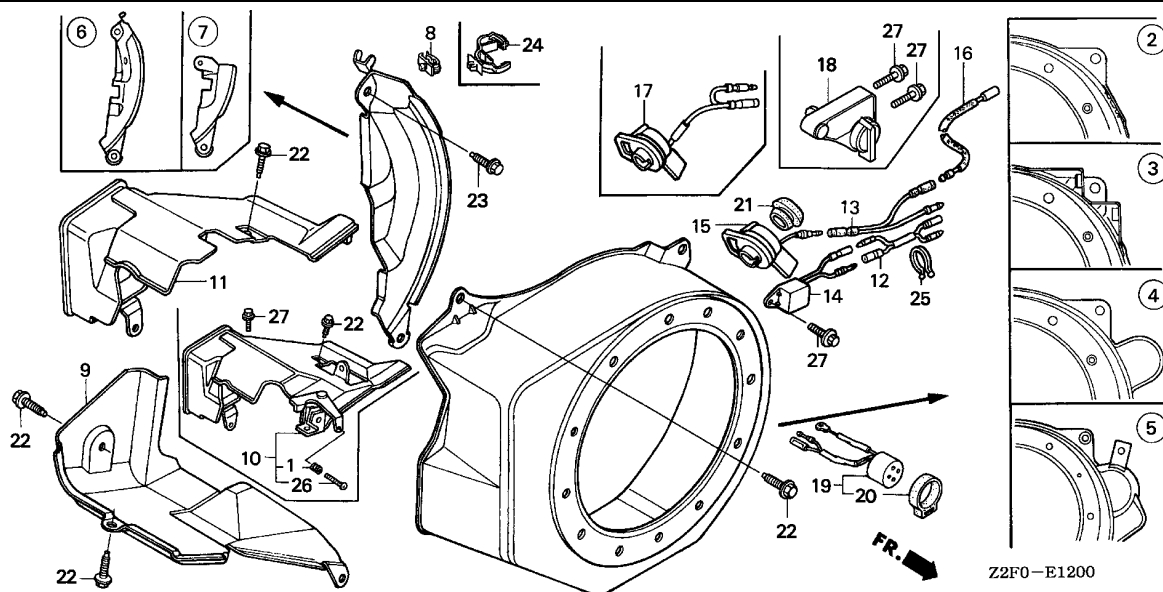


Z2F0-E1200

Ref. No.	Part No.	Description	Reqd. QTY		Serial No.	Parts catalogue code
			GX 160K1 (1)	GX 160K1 (2)		
(9)	19630-ZH8-000	SHROUD COMP.	1	-	-----	BL, HG12, HH, HHQ4, HH26, HX, HXE2, HXE8, HXU, HX2, HX26, HX4, KTA, LA1, LD, LH, LHB3, LHQ4, LJ, LJC7, LJG, LJS, LSJ4, LVL, LW2, LX, LXU, LX2, LX26, LX4, NJ, NJG, NSJ, PHM, PX, PXU, QAB3, QAX2, QA2, QA26, QBC2, QBT6, QCB2, QCL, QD, QE, QFE4, QGR2, QGR9, QH, QHE, QHP1, QHQ4, QH2, QH26, QI2, QKA4, QMC6, QMC8, QMD6, QME4, QMH, QMX2, QM22, QNT, QNT4, QNZ, QP, QPU, QSC2, QSC9, QS2, QT, QVL, QWA4, QWX2, QX, QXC, QXC6, QXC9, QXE, QXE2, QXE4, QXE6, QXE8, QXF2, QXM1, QXS2, QXU, QXW, QX2, QX22, QX26, QX4, QX7, RD, RD4, RH, RHA2, RHQ4, RH2, RH26, RMB4, RMD, RMG2, RSK, RSS1, RTB2, RX, RXE, RXE2, RXE4, RXU, RX4, SCJ, SD, SDS, SD16, SD4, SE, SG24, SH, SHM, SHQ4, SHRY, SJ, SJC1, SJC5, SJG, SMC7, SMC9, SMJ, SMJ1, SMW2, SMX4, SM11, SM12, SM14, SNX, SNX1, SSK1, SSX2, ST, STM, STQ, SWG4, SWX2, SWX4, SX, SXE, SXE4, SXS4, SXU, SX4, SX7, S1CY, TCS2, TX, TXC9, TXU, TX2, TX26, TX4, UXU, VA2, VEBM, VED, VED1, VED5, VED6, VGE4, VG24, VHA7, VHH4, VMS4, VMS7, VPM4, VPM5, VPM7, VPR4, VPR7, VSD, VSD1, VSD7, VSX, VSX1, VSX3, VS17, VTH4, VTU1, VWA2, VM12, VX, VXD, VXD1, VXE4, VXE7, VXM, VXU, VXU1, VXW2, VX2, VX4, WDA6, WJP, WKD6, WKT2, WKT4, WKT6, WMBO, WME2, WME4, WMT
10	19640-ZB2-010 19640-ZH8-R60	SHROUD ASSY., UPPER	1	-	-----	VED2, VED3, VEN2, VES, VMT, VSB1, VSG, VS3 EMA2, VS4
11	19640-ZH8-V11	SHROUD ASSY., UPPER (KOMATSU)	1	-	-----	SKM
12	32105-ZH8-V10	CABLE, DOUBLE CONNECTOR	1	-	-----	SKM, SNX1, SWG4, VTH4
13	32197-ZH8-003	SUB HARNESS	1	-	-----	SNX, VED2, VED3, VEN2, VES, VGE4, VPM4, VPM7, VPR4, VPR7

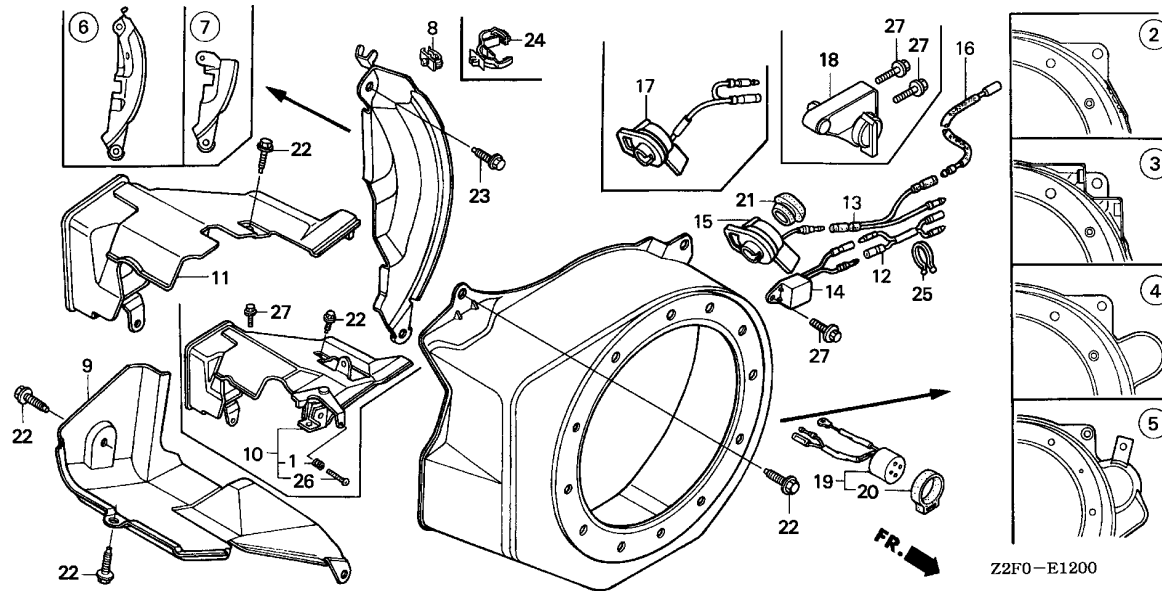
Ref. No.	Part No.	Description	Reqd. QTY		Serial No.	Parts catalogue code
			GX 160K1 (1)	GX 160K1 (2)		
14	34150-ZH7-003	ALERT UNIT, OIL	1	-		EMA2, HG12, HX, HXU, HX2, HX26, HX4, LA1, LJC7, LX, LXU, LX2, LX26, LX4, PX, PXU, QAX2, QBT6, QCL, QGR2, QGR9, QI2, QMC8, QMD6, QMH, QMX2, QNT, QNT4, QSC9, QS2, QWA4, QWX2, QX, QXC, QXC6, QXC9, QXF2, QXM1, QXS2, QXU, QX2, QX22, QX26, QX4, QX7, RX, RXU, RX4, SG24, SJC1, SJC5, SMC7, SMC9, SMJ, SMJ1, SMW2, SMX4, SM12, SM14, SNX, SSSX2, SWX2, SWX4, SX, SXS4, SXU, SX4, SX7, TCS2, TX, TXC9, TXU, TX2, TX26, TX4, UXU, VA2, VEBM, VED1, VED2, VED3, VED5, VED6, VEN2, VES, VGE4, VG24, VHA7, VHH4, VMS4, VMS7, VMT, VPM4, VPM5, VPM7, VPR4, VPR7, VSB1, VSD, VSD1, VSD7, VSG, VSX, VSX1, VSX3, VS17, VS3, VS4, VTU1, VWA2, VW12, VX, VXD, VXD1, VXM, VXU, VXU1, VXW2, VX2, VX4, WKD6, WKT2, WKT4, WKT6, WME2, WMT
			-	(1)		
15	35120-Z0D-V81 36100-ZE1-015	SWITCH ASSY., ENGINE STOP	1 1	- -		QBC2 AR, ARC6, BL, HH, HH26, KR, KTA, LD, LH, LHB3, LJ, LJG, LVL, LW2, NJ, NJG, NSJ, PHM, QAB3, QA2, QA26, QCB2, QD, QH, QHP1, QH2, QH26, QMZ2, QP, QT, QVL, RD, RH, RHA2, RH2, RH26, RMD, RMG2, RSS1, RTB2, SD, SD16, SH, SHM, SJ, SJG, SM11, SSK1, STQ, VED, WDA6, WJP
			-	(1)		
	36100-ZH7-W41	1	-		HX4, LX4, QMC8, QMD6, QNT, QNT4, QWA4, QX4, QX7, RX4, SG24, SMC7, SMC9, SMX4, SM14, SWX4, SXS4, SX4, SX7, TX4, VG24, VHA7, VHH4, VMS4, VMS7, VSD, VSD7, VX4, WKT4
	36100-ZH7-003	1	-		EMA2, HG12, HX, HXU, HX2, HX26, LA1, LJC7, LX, LXU, LX2, LX26, PX, PXU, QAX2, QBT6, QCL, QGR2, QGR9, QI2, QMH, QMX2, QS2, QWX2, QX, QXC, QXC6, QXC9, QXF2, QXM1, QXS2, QXU, QX2, QX22, QX26, RX, RXU, SJC1, SJC5, SMJ, SMJ1, SMW2, SM12, SSSX2, SWX2, SX, SXU, TCS2, TX, TXC9, TXU, TX2, TX26, UXU, VA2, VEBM, VED1, VED5, VED6, VMT, VSX, VSX1, VSX3, VTU1, VWA2, VW12, VX, VXD, VXD1, VXM, VXU, VXU1, VXW2, VX2, WKD6, WKT2, WKT6, WME2, WMT
			-	(1)		
	36100-ZH8-W41	1	-		HHQ4, LHQ4, LSJ4, QE, QFE4, QHQ4, QMC6, QME4, RD4, RHQ4, RMB4, RSK, SDS, SD4, SE, SHQ4, SHRY, S1CY, VGE4, WMBO, WME4
16	35310-887-940	CORD A, ENGINE STOP	1	-		LJS
17	36100-ZF6-P81	SWITCH ASSY., ENGINE STOP ...	1	-		VPM5
18	36100-ZH8-W82	SWITCH ASSY., ENGINE STOP	1	-		(SDMO) VSD1, VS17
19	38400-ZE8-003	BUZZER ASSY.	1	-		SKM
20	38402-GC1-000	SUSPENSION, AUDIBLE PILOT ...	1	-		SKM
21	81329-567-020	GROMMET, DRAIN HOLE	1	-		LJS, QPU, QSC9, SCJ, SNX, VED2, VED3, VEN2, VES, VGE4, VPM4, VPM7, VPR4, VPR7, VSB1, VSG, VS3, VS4
22	90013-883-000	BOLT, FLANGE, 6X12(CT200) ...	4 6	- -		AR, ARC6, KR, NJC1 BL, HG12, HH, HHQ4, HH26, HX, HXE2, HXE8, HXU, HX2, HX26, HX4, KTA, LA1, LD, LH, LHB3, LHQ4, LJ, LJC7, LJG, LJS, LSJ4, LVL, LW2, LX, LXU, LX2, LX26, LX4, NJ, NJG, NSJ, PHM, PX, PXU, QAB3, QAX2, QA2, QA26, QBC2, QBT6, QCB2, QCL, QD, QE, QFE4, QGR2, QGR9, QH, QHE, QHP1, QHQ4, QH2, QH26, QI2, QKA4, QMC6, QMC8, QMD6, QME4, QMH, QMX2, QMZ2, QNT, QNT4, QNZ, QP, QPU, QSC2, QSC9, QS2, QT, QVL, QWA4, QWX2, QX, QXC, QXC6, QXC9, QXE, QXE2, QXE4, QXE6, QXE8, QXF2, QXM1, QXS2, QXU, QXW, QX2, QX22, QX26, QX4, QX7, RD, RD4, RH, RHA2, RHQ4, RH2, RH26, RMB4, RMD, RMG2, RSK, RSS1, RTB2, RX, RXE, RXE2, RXE4, RXU, RX4, SCJ, SD, SDS, SD16, SD4, SE, SG24, SH, SHM, SHQ4, SHRY, SJ, SJC1, SJC5, SJG, SKM, SMC7, SMC9, SMJ, SMJ1, SMW2, SMX4, SM11, SM12, SM14, SNX, SNX1, SSK1, SSSX2, ST, STM, STQ, SWG4, SWX2, SWX4, SX, SXE, SXE4, SXS4, SXU, SX4, SX7, S1CY, TCS2, TX, TXC9, TXU, TX2, TX26, TX4, UXU, VA2, VEBM, VED, VED1, VED5, VED6, VGE4, VG24, VHA7, VHH4, VMS4, VMS7, VPM4, VPM5, VPM7, VPR4, VPR7, VSD, VSD1, VSD7, VSX, VSX1, VSX3, VS17, VTH4, VTU1, VWA2, VW12, VX, VXD, VXD1, VXE4, VXE7, VXM, VXU, VXU1, VXW2, VX2, VX4, WDA6, WJP, WKD6, WKT2, WKT4, WKT6, WMBO, WME2, WME4, WMT
			8	-		EMA2, VED2, VED3, VEN2, VES, VMT, VSB1, VSG, VS3, VS4
			-	6		





Z2F0-E1200

Ref. No.	Part No.	Description	Reqd. QTY		Serial No.	Parts catalogue code
			GX 160K1 (1)	GX 160K1 (2)		
23	90022-888-010	BOLT, FLANGE, 6X20(CT200) ...	1	-	-----	AR, ARC6, BL, EMA2, HG12, HH, HHQ4, HH26, HX, HXU, HX2, HX26, HX4, KR, KTA, LA1, LD, LH, LHB3, LHQ4, LJ, LJC7, LJG, LJS, LSJ4, LVL, LW2, LX, LXU, LX2, LX26, LX4, NJ, NJC1, NJG, NSJ, PHM, PX, PXU, QAB3, QAX2, QA2, QA26, QBC2, QBT6, QCB2, QCL, QD, QE, QFE4, QGR2, QGR9, QH, QHP1, QHQ4, QH2, QH26, QI2, QMC6, QMC8, QMD6, QME4, QMH, QMX2, QMZ2, QNT, QNT4, QP, QPU, QSC9, QS2, QT, QVL, QWA4, QWX2, QX, QXC, QXC6, QXC9, QXF2, QXM1, QXS2, QXU, QX2, QX22, QX26, QX4, QX7, RD, RD4, RH, RHA2, RHQ4, RH2, RH26, RMB4, RMD, RMG2, RSK, RSS1, RTB2, RX, RXU, RX4, SCJ, SD, SDS, SD16, SD4, SE, SG24, SH, SHM, SHQ4, SHRY, SJ, SJC1, SJC5, SJG, SKM, SMC7, SMC9, SMJ, SMJ1, SMW2, SMX4, SM11, SM12, SM14, SNX, SSK1, SSS2, STQ, SWX2, SWX4, SX, SXS4, SXU, SX4, SX7, S1CY, TCS2, TX, TXC9, TXU, TX2, TX26, TX4, UXU, VA2, VEBM, VED, VED1, VED2, VED3, VED5, VED6, VEN2, VES, VGE4, VG24, VHA7, VHH4, VMS4, VMS7, VMT, VPM4, VPM5, VPM7, VPR4, VPR7, VSB1, VSD, VSD1, VSD7, VSG, VSX, VSX1, VSX3, VS17, VS3, VS4, VTU1, VWA2, VW12, VX, VXD, VXD1, VXM, VXU, VXU1, VXW2, VX2, VX4, WDA6, WJP, WKD6, WKT2, WKT4, WKT6, WMBO, WME2, WME4, WMT
	90121-952-000	BOLT, FLANGE, 6X25	1	(1)	-----	HXE2, HXE8, QHE, QKA4, QNZ, QSC2, QXE, QXE2, QXE4, QXE6, QXE8, QXW, RXE, RXE2, RXE4, SNX1, ST, STM, SWG4, SXE, SXE4, VTH4, VXE4, VXE7
24	90601-ZH7-013	CLIP, HARNESS	1	-	-----	EMA2, HG12, HX, HXU, HX2, HX26, HX4, LA1, LJC7, LX, LXU, LX2, LX26, LX4, PX, PXU, QAX2, QBT6, QCL, QGR2, QGR9, QI2, QMC8, QMD6, QMH, QMX2, QNT, QNT4, QSC9, QS2, QWA4, QWX2, QX, QXC, QXC6, QXC9, QXF2, QXM1, QXS2, QXU, QX2, QX22, QX26, QX4, QX7, RX, RXU, RX4, SG24, SJC1, SJC5, SMC7, SMC9, SMJ, SMJ1, SMW2, SMX4, SM12, SM14, SSS2, SWX2, SWX4, SX, SXS4, SXU, SX4, SX7, TCS2, TX, TXC9, TXU, TX2, TX26, TX4, UXU, VA2, VEBM, VED1, VED5, VED6, VG24, VHA7, VHH4, VMS4, VMS7, VMT, VPM5, VSD, VSD1, VSD7, VSX, VSX1, VSX3, VS17, VTU1, VWA2, VW12, VX, VXD, VXD1, VXM, VXU, VXU1, VXW2, VX2, VX4, WKD6, WKT2, WKT4, WKT6, WME2, WMT
25	90630-751-000	CLIP, PURSE LOCK	1	(1)	-----	SKM, SNX1, SWG4, VTH4
26	93500-05035-0A	SCREW, PAN, 5X35	1	-	-----	VED2, VED3, VEN2, VES, VMT, VSB1, VSG, VS3



Z2F0-E1200

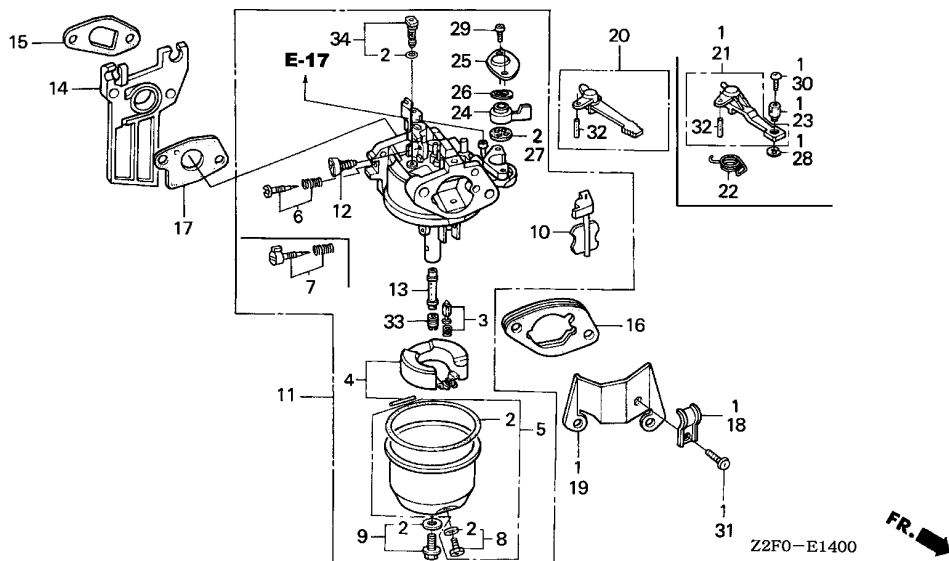
Ref. No.	Part No.	Description	Reqd. QTY		Serial No.	Parts catalogue code
			GX 160K1 (1)	GX 160K1 (2)		
26)	93500-05040-0G	SCREW, PAN, 5X40	1	-	-----	EMA2,VS4
27	95701-06008-00	BOLT, FLANGE, 6X8	1	-	-----	HG12,HX,HXU,HX2,HX26,HX4,LA1,LJC7,LX,LXU,LX2,LX26,LX4,PX,PXU,QAX2 QBT6,QCL,QGR2,QGR9,QI2,QMC8,QMD6,QMH,QMX2,QNT,QNT4,QSC9,QS2,QWA4,QWX2 QX,QXC,QXC6,QXC9,QXF2,QXM1,QXS2,QXU,QX2,QX22,QX26,QX4,QX7,RX,RXU,RX4 SG24,SJC1,SJC5,SKM,SMC7,SMC9,SMJ,SMJ1,SMW2,SMX4,SM12,SM14,SNX,SSX2 SWX2,SWX4,SX,SXS4,SXU,SX4,SX7,TCS2,TX,TXC9,TXU,TX2,TX26,TX4,UXU,VA2 VEBM,VED1,VED5,VED6,VGE4,VG24,VHA7,VHH4,VMS4,VMS7,VPM4,VPM5,VPM7,VPR4 VPR7,VSD,VSD7,VSX,VSX1,VSX3,VTU1,VWA2,VW12,VX,VXD,VXD1,VXM,VXU,VXU1 VXW2,VX2,VX4,WKD6,WKT2,WKT4,WKT6,WME2,WMT
			2	-	-----	EMA2,VED2,VED3,VEN2,VES,VMT,VS1,VS17,VS3,VS4
			-	(1)		



E-14

CARBURETOR(1)

G11



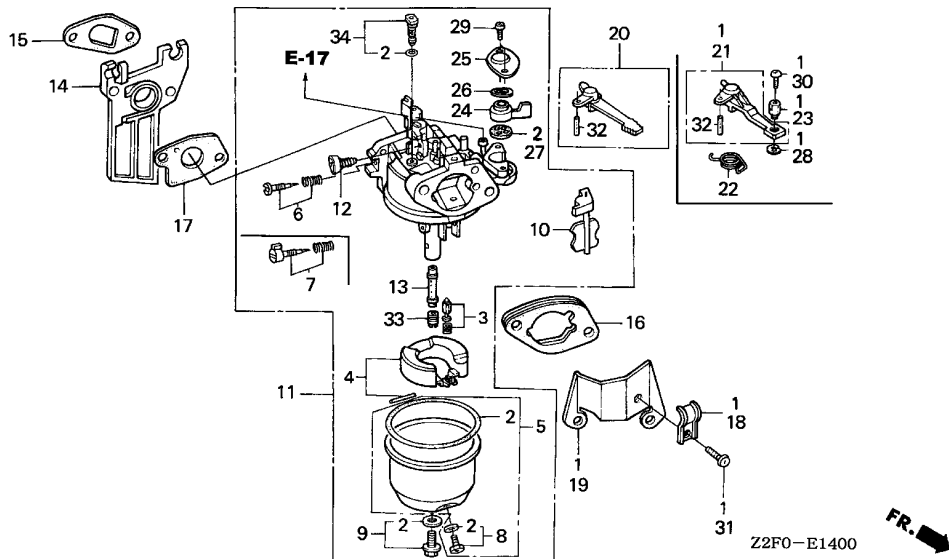
Service item	F.R.T.
CARBURETOR ASSY.	0.2
.CHOKE KIT, REMOTE CONTROL	
.INSULATOR, CARBURETOR	
.LEVER COMP., CHOKE	
.PACKING, CARBURETOR	
.PACKING, FUEL COCK	
.PACKING, INSULATOR	
.SCREW SET, PILOT	
.SPRING, RETURN	
FLOAT SET	0.3
.GASKET SET	
.JET, MAIN,	
.VALVE SET, FLOAT	

2

Ref. No.	Part No.	Description	Reqd. QTY		Serial No.	Parts catalogue code
			GX 160K1 (1)	GX 160K1 (2)		
1	06164-ZE1-000	CHOKE KIT, REMOTE CONTROL ...	-	(1)		
2	16010-ZE0-025	GASKET SET	1	-	-----	LD,LSJ4,LW2,QD,QE,QFE4,QMC6,QNZ,RD,RD4,SD,SDS,SD16,SD4,SE,VEBM,VG24,WMB0,WME4,WMT
3	16011-ZE0-005	VALVE SET, FLOAT	1	-	-----	LD,LSJ4,LW2,QD,QE,QFE4,QMC6,QNZ,RD,RD4,SD,SDS,SD16,SD4,SE,VEBM,VG24,WMB0,WME4,WMT
4	16013-ZE0-005	FLOAT SET	1	-	-----	LD,LSJ4,LW2,QD,QE,QFE4,QMC6,QNZ,RD,RD4,SD,SDS,SD16,SD4,SE,VEBM,VG24,WMB0,WME4,WMT
5	16015-ZE0-831	CHAMBER SET, FLOAT	1	-	-----	LD,LSJ4,LW2,QD,QE,QFE4,QMC6,QNZ,RD,RD4,SD,SDS,SD16,SD4,SE,VEBM,VG24,WMB0,WME4,WMT
6	16016-ZE0-005	SCREW SET, PILOT	1	-	-----	LW2,QNZ
7	16016-ZH7-W01	SCREW SET, PILOT	1	-	-----	LD,LSJ4,QD,QE,QFE4,QMC6,RD,RD4,SD,SDS,SD16,SD4,SE,VEBM,VG24,WMB0,WME4,WMT
8	16024-ZE1-811	SCREW SET, DRAIN	1	-	-----	LD,LSJ4,LW2,QD,QE,QFE4,QMC6,QNZ,RD,RD4,SD,SDS,SD16,SD4,SE,VEBM,VG24,WMB0,WME4,WMT
9	16028-ZE0-005	SCREW SET	1	-	-----	LD,LSJ4,LW2,QD,QE,QFE4,QMC6,QNZ,RD,RD4,SD,SDS,SD16,SD4,SE,VEBM,VG24,WMB0,WME4,WMT
10	16044-ZE0-005	CHOKE SET	1	-	-----	LD,LSJ4,LW2,QD,QE,QFE4,QMC6,QNZ,RD,RD4,SD,SDS,SD16,SD4,SE,VEBM,VG24,WMB0,WME4,WMT

Ref. No.	Part No.	Description	Reqd. QTY		Serial No.	Parts catalogue code
			GX 160K1 (1)	GX 160K1 (2)		
11	16100-ZH8-W41	CARBURETOR ASSY. (BE66D B) ..	1	-	-----	QE,QFE4,SE,VEBM,VG24
	16100-ZH8-W71	CARBURETOR ASSY. (BE66E B) ..	1	-	-----	LD,LSJ4,QD,QMC6,RD,RD4,SD,SDS,SD16,SD4,WMB0,WME4,WMT
	16100-ZH8-812	CARBURETOR ASSY. (BE06H C) ..	1	-	-----	LW2,QNZ
			-	(1)		
12	16124-ZE0-005	SCREW, THROTTLE STOP	1	-	-----	LD,LSJ4,LW2,QD,QE,QFE4,QMC6,QNZ,RD,RD4,SD,SDS,SD16,SD4,SE,VEBM,VG24
			-	(1)		WMB0,WME4,WMT
13	16166-ZH8-W50	NOZZLE, MAIN	1	-	-----	LW2,QE,QFE4,QNZ,SE,VEBM,VG24
	16166-ZH8-W60	1	-	-----	LD,LSJ4,QD,QMC6,RD,RD4,SD,SDS,SD16,SD4,WMB0,WME4,WMT
14	16211-ZE1-000	INSULATOR, CARBURETOR	1	-	-----	LD,LSJ4,LW2,QD,QE,QFE4,QMC6,QNZ,RD,RD4,SD,SDS,SD16,SD4,SE,VEBM,VG24
			-	1		WMB0,WME4,WMT
15	16212-ZH8-800	PACKING, INSULATOR	1	-	-----	LD,LSJ4,LW2,QD,QE,QFE4,QMC6,QNZ,RD,RD4,SD,SDS,SD16,SD4,SE,VEBM,VG24
			-	(1)		WMB0,WME4,WMT
16	16220-ZE1-020	SPACER COMP., CARBURETOR	1	-	-----	LD,LSJ4,LW2,QD,QE,QFE4,QMC6,QNZ,RD,RD4,SD,SDS,SD16,SD4,SE,VEBM,VG24
			-	1		WMB0,WME4,WMT
17	16221-ZH8-801	PACKING, CARBURETOR	1	-	-----	LD,LSJ4,LW2,QD,QE,QFE4,QMC6,QNZ,RD,RD4,SD,SDS,SD16,SD4,SE,VEBM,VG24
			-	(1)		WMB0,WME4,WMT
18	16582-883-300	HOLDER, CONTROL CABLE	1	-	-----	QNZ
			-	(1)		
19	16598-ZE1-000	STAY, CHOKE CONTROL	1	-	-----	QNZ
			-	(1)		
20	16610-ZE1-000	LEVER COMP., CHOKE (STD.) ...	1	-	-----	LD,LSJ4,LW2,QD,QE,QFE4,QMC6,RD,RD4,SD,SDS,SD16,SD4,SE,VEBM,VG24,WMB0
			-	(1)		WME4,WMT
21	16610-ZE1-810	LEVER COMP., CHOKE (REMOTE) -	1	-	-----	QNZ
			-	(1)		
22	16615-ZE1-010	SPRING, RETURN	1	-	-----	QNZ
			-	(1)		
23	16617-890-010	HOLDER, CABLE	1	-	-----	QNZ
			-	(1)		
24	16953-ZE1-812	LEVER, COCK	1	-	-----	LD,LSJ4,LW2,QD,QE,QFE4,QMC6,QNZ,RD,RD4,SD,SDS,SD16,SD4,SE,VEBM,VG24
			-	(1)		WMB0,WME4,WMT
25	16954-ZE1-812	PLATE, LEVER SETTING	1	-	-----	LD,LSJ4,LW2,QD,QE,QFE4,QMC6,QNZ,RD,RD4,SD,SDS,SD16,SD4,SE,VEBM,VG24
			-	(1)		WMB0,WME4,WMT
26	16956-ZE1-811	SPRING, COCK LEVER	1	-	-----	LD,LSJ4,LW2,QD,QE,QFE4,QMC6,QNZ,RD,RD4,SD,SDS,SD16,SD4,SE,VEBM,VG24
			-	(1)		WMB0,WME4,WMT
27	16957-ZE1-812	PACKING, FUEL COCK	1	-	-----	LD,LSJ4,LW2,QD,QE,QFE4,QMC6,QNZ,RD,RD4,SD,SDS,SD16,SD4,SE,VEBM,VG24
			-	(1)		WMB0,WME4,WMT
28	90605-230-000	CIRCLIP, 5MM	1	-	-----	QNZ
			-	(1)		
29	93500-03006-1H	SCREW, PAN, 3X6	2	-	-----	LD,LSJ4,LW2,QD,QE,QFE4,QMC6,QNZ,RD,RD4,SD,SDS,SD16,SD4,SE,VEBM,VG24
			-	(2)		WMB0,WME4,WMT
30	93500-04008-0A	SCREW, PAN, 4X8	1	-	-----	QNZ
			-	(1)		



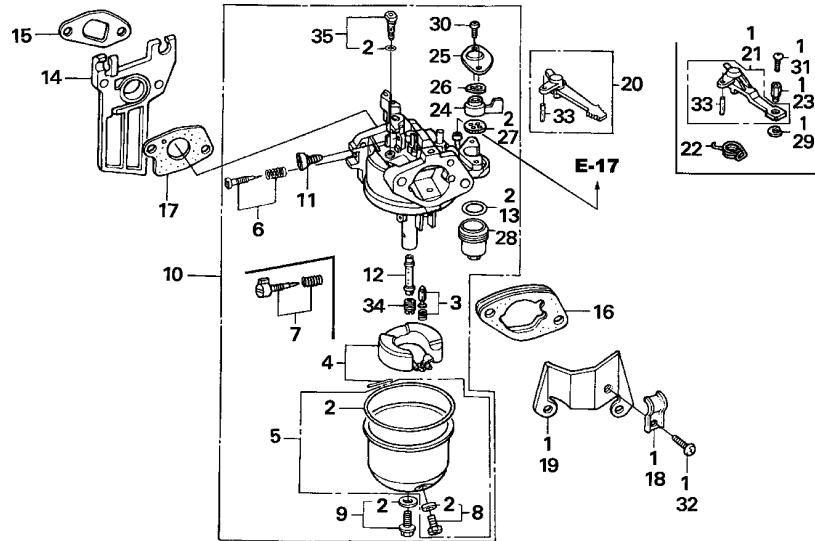


Ref. No.	Part No.	Description	Reqd. QTY		Serial No.	Parts catalogue code
			GX 160K1 (1)	GX 160K1 (2)		
31	93500-05008-0A	SCREW, PAN, 5X8	1	-	----- QNZ	
32	94305-20122	PIN, SPRING, 2X12	1	(1)	-----	LD,LSJ4,LW2,QD,QE,QFE4,QMC6,QNZ,RD,RD4,SD,SDS,SD16,SD4,SE,VEBM,VG24,WMB0,WME4,WMT
33	99101-ZH8-0650	JET, MAIN, #65	(1)	(1)	-----	LD,LSJ4,LW2,QD,QE,QFE4,QMC6,QNZ,RD,RD4,SD,SDS,SD16,SD4,SE,VEBM,VG24,WMB0,WME4,WMT
	99101-ZH8-0680	JET, MAIN, #68	(1)	(1)	-----	LD,LSJ4,LW2,QD,QE,QFE4,QMC6,QNZ,RD,RD4,SD,SDS,SD16,SD4,SE,VEBM,VG24,WMB0,WME4,WMT
	99101-ZH8-0700	JET, MAIN, #70	1	(1)	-----	LD,LSJ4,LW2,QD,QE,QFE4,QMC6,QNZ,RD,RD4,SD,SDS,SD16,SD4,SE,VEBM,VG24,WMB0,WME4,WMT
34	99204-ZE0-0350	JET SET, PILOT, #35	1	(1)	-----	LD,LSJ4,LW2,QD,QE,QFE4,QMC6,QNZ,RD,RD4,SD,SDS,SD16,SD4,SE,VEBM,VG24,WMB0,WME4,WMT

E-14-1

CARBURETOR(2)

G14

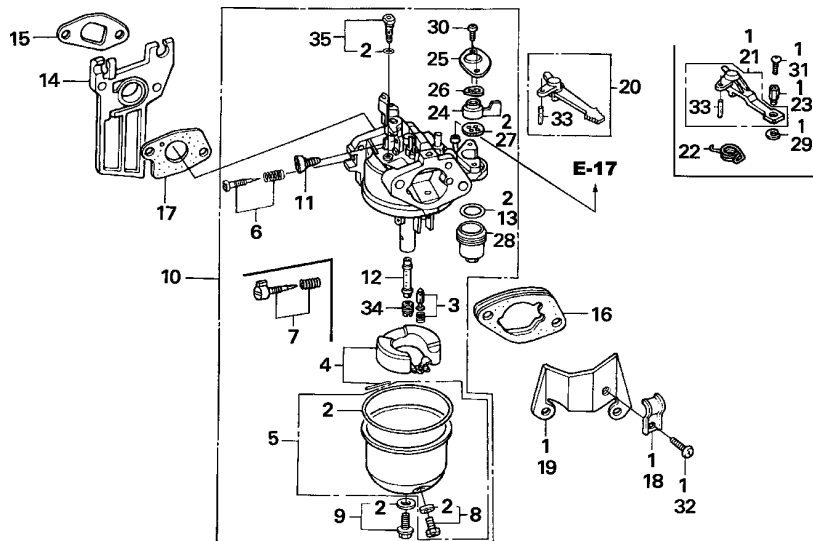


Z2F0-E1401

Service item	F.R.T.
CARBURETOR ASSY.	0.2
.CHOKE KIT, REMOTE CONTROL	
.INSULATOR, CARBURETOR	
.LEVER COMP., CHOKE	
.PACKING, CARBURETOR	
.PACKING, FUEL COCK	
.PACKING, INSULATOR	
.SCREW SET, PILOT	
.SPRING, RETURN	
FLOAT SET	0.3
.GASKET SET	
.JET, MAIN,	
.VALVE SET, FLOAT	

Ref. No.	Part No.	Description	Reqd. QTY		Serial No.	Parts catalogue code
			GX 160K1 (1)	GX 160K1 (2)		
1	06164-ZE1-000	CHOKE KIT, REMOTE CONTROL ...	-	1		
2	16010-ZE1-812	GASKET SET	1	-	-----	QNT4
				(1)		
3	16011-ZE0-005	VALVE SET, FLOAT	1	-	-----	QNT4
				(1)		
4	16013-ZE0-005	FLOAT SET	1	-	-----	QNT4
				(1)		
5	16015-ZE0-831	CHAMBER SET, FLOAT	1	-	-----	QNT4
				(1)		
6	16016-ZE0-005	SCREW SET, PILOT	-	(1)		
7	16016-ZH7-W01	SCREW SET, PILOT	1	-	-----	QNT4
8	16024-ZE1-811	SCREW SET, DRAIN	1	-	-----	QNT4
				(1)		
9	16028-ZE0-005	SCREW SET	1	-	-----	QNT4
				(1)		
10	16100-ZH8-801	CARBURETOR ASSY. (BE11C B) ..	-	(1)		
	16100-ZH8-802	CARBURETOR ASSY. (BE11C C) ..	1	-	-----	QNT4
11	16124-ZE0-005	SCREW, THROTTLE STOP	1	-	-----	QNT4
				(1)		
12	16166-ZH8-800	NOZZLE, MAIN	1	-	-----	QNT4
				(1)		
13	16173-001-004	PACKING, FUEL STRAINER CUP ..	1	-	-----	QNT4
				(1)		
14	16211-ZE1-000	INSULATOR, CARBURETOR	1	-	-----	QNT4
				(1)		

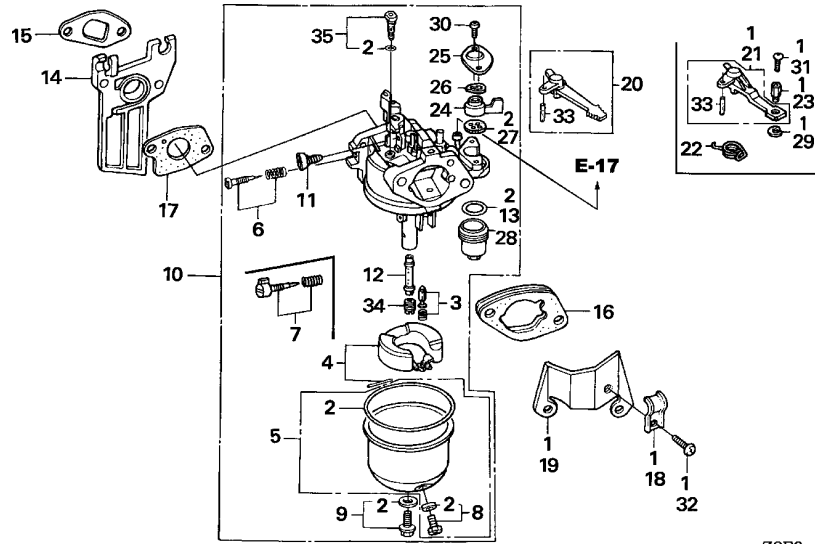
2



Z2F0-E1401



Ref. No.	Part No.	Description	Reqd. QTY		Serial No.	Parts catalogue code
			GX 160K1 (1)	GX 160K1 (2)		
15	16212-ZH8-800	PACKING, INSULATOR	1	-	-----	QNT4
			-	(1)		
16	16220-ZE1-020	SPACER COMP., CARBURETOR	1	-	-----	QNT4
			-	(1)		
17	16221-ZH8-801	PACKING, CARBURETOR	1	-	-----	QNT4
			-	(1)		
18	16582-883-300	HOLDER, CONTROL CABLE	-	(1)		
19	16598-ZE1-000	STAY, CHOKE CONTROL	-	(1)		
20	16610-ZE1-000	LEVER COMP., CHOKE (STD.) ...	1	-	-----	QNT4
			-	(1)		
21	16610-ZE1-810	LEVER COMP., CHOKE (REMOTE) .	-	(1)		
22	16615-ZE1-010	SPRING, RETURN	-	(1)		
23	16617-890-010	HOLDER, CABLE	-	(1)		
24	16953-ZE1-812	LEVER, COCK	1	-	-----	QNT4
			-	(1)		
25	16954-ZE1-812	PLATE, LEVER SETTING	1	-	-----	QNT4
			-	(1)		
26	16956-ZE1-811	SPRING, COCK LEVER	1	-	-----	QNT4
			-	(1)		
27	16957-ZE1-812	PACKING, FUEL COCK	1	-	-----	QNT4
			-	(1)		
28	16967-ZE0-811	CUP, FUEL STRAINER	1	-	-----	QNT4
			-	(1)		
29	90605-230-000	CIRCLIP, 5MM	1	-	-----	QNT4
			-	(1)		



Z2F0-E1401



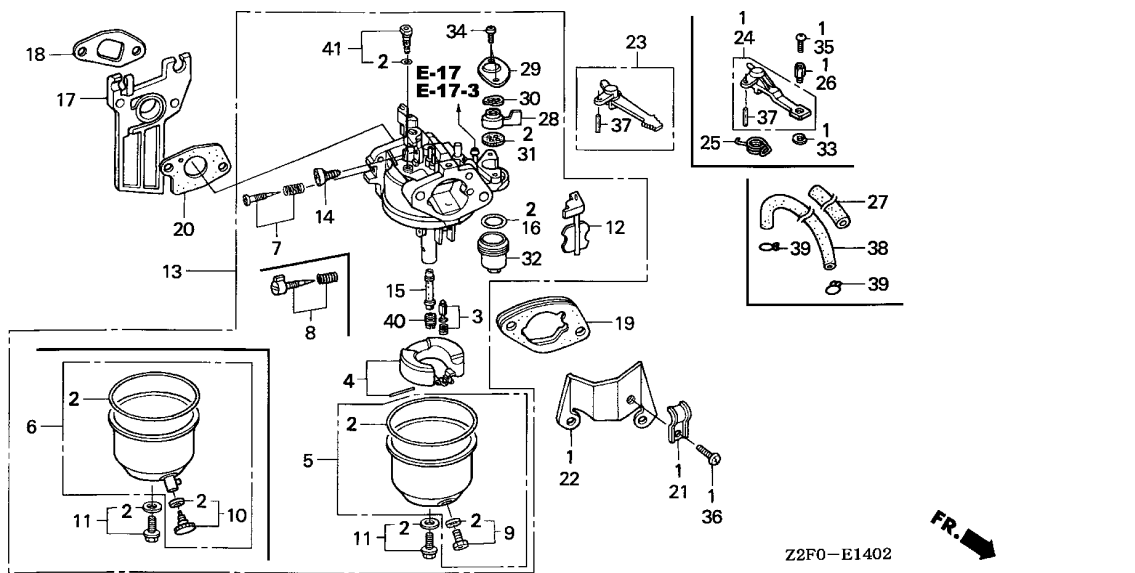
Ref. No.	Part No.	Description	Reqd. QTY		Serial No.	Parts catalogue code
			GX 160K1 (1)	GX 160K1 (2)		
30	93500-03006-1H	SCREW, PAN, 3X6	2	- (2)	-	QNT4
31	93500-04008-0A	SCREW, PAN, 4X8	-	(1)	-	
32	93500-05008-0A	SCREW, PAN, 5X8	-	(1)	-	
33	94305-20122	PIN, SPRING, 2X12	1	- (1)	-	QNT4
34	99101-ZH8-0620	JET, MAIN, #62	(1)	- (1)	-	QNT4
	99101-ZH8-0650	JET, MAIN, #65	(1)	- (1)	-	QNT4
	99101-ZH8-0680	JET, MAIN, #68	1	- (1)	-	QNT4
35	99204-ZE0-0380	JET SET, PILOT, #38	1	- (1)	-	QNT4



E-14-2

CARBURETOR(3)

H 1



Service item	F.R.T.
CARBURETOR ASSY.	0.2
.CHOKE KIT, REMOTE CONTROL	
.INSULATOR, CARBURETOR	
.LEVER COMP., CHOKE	
.PACKING, CARBURETOR	
.PACKING, FUEL COCK	
.PACKING, INSULATOR	
.SCREW SET, PILOT	
.SPRING, RETURN	
.TUBE, FUEL, 4.5X300	
FLOAT SET	0.3
.GASKET SET	
.JET, MAIN,	
.VALVE SET, FLOAT	

Z2F0-E1402



Ref. No.	Part No.	Description	Reqd. QTY		Serial No.	Parts catalogue code
			GX (1)	GX 160K1 160K1 (2)		
1	06164-ZE1-000	CHOKE KIT, REMOTE CONTROL ...	1	-	-----	QXW
2	16010-ZE1-812	GASKET SET	1	(1)	-----	BL, HG12, HH, HHQ4, HH26, HX, HXE2, HXE8, HXU, HX2, HX26, HX4, KTA, LA1, LH, LHB3, LHQ4, LJ, LJC7, LJG, LJS, LVL, LX, LXU, LX2, LX26, LX4, NJ, NJG, NSJ, PHM, PX, PXU, QAB3, QAX2, QA2, QA26, QBC2, QBT6, QCB2, QCL, QGR9, QGR9, QH, QHE, QHP1, QHQ4, QH2, QH26, QI2, QKA4, QMC8, QMD6, QME4, QMH, QMX2, QMZ2, QNT, QP, QPU, QSC2, QSC9, QS2, QT, QVL, QWA4, QWX2, QX, QXC, QXC6, QXC9, QXE, QXE2, QXE4, QXE6, QXE8, QXF2, QXM1, QXS2, QXU, QXW, QX2, QX22, QX26, QX4, QX7, RH, RHA2, RHQ4, RH2, RH26, RMB4, RMD, RMG2, RSK, RSS1, RTB2, RX, RXE, RXE2, RXE4, RXU, RX4, SCJ, SG24, SH, SHM, SHQ4, SHRY, SJ, SJC1, SJC5, SJG, SKM, SMC7, SMC9, SMJ, SMJ1, SMW2, SMX4, SM11, SM12, SM14, SNX, SNX1, SSK1, SSS2, STQ, SWG4, SWX2, SWX4, SX, SXE, SXE4, SXS4, SXU, SX4, SX7, S1CY, TCS2, TX, TXC9, TXU, TX2, TX26, TX4, UXU, VA2, VED, VED1, VED5, VED6, VGE4, VHA7, VHH4, VMS4, VMS7, VSD, VSD7, VSX, VSX1, VSX3, VTU1, VWA2, VW12, VX, VXD, VXD1, VXE4, VXE7, VXM, VXU, VXU1, VXXW2, VX2, VX4, WDA6, WJP, WKD6, WKT2, WKT4, WKT6, WME2
	16010-ZH7-A20	1	(1)	-----	ST, STM

2

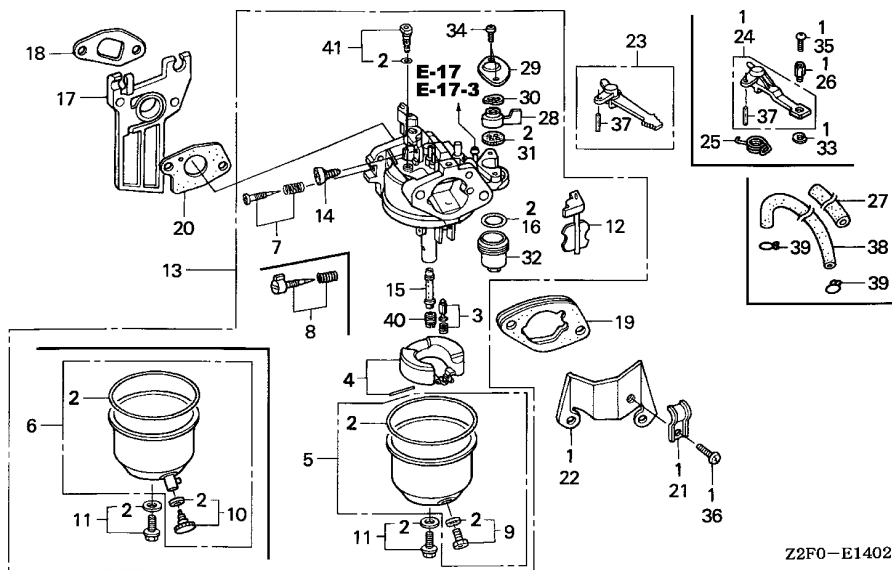
Ref. No.	Part No.	Description	Reqd. QTY		Serial No.	Parts catalogue code
			GX 160K1 (1)	GX 160K1 (2)		
3	16011-ZE0-005	VALVE SET, FLOAT	1	-		BL, HG12, HH, HHQ4, HH26, HX, HXE2, HXE8, HXU, HX2, HX26, HX4, KTA, LA1, LH, LHB3, LHQ4, LJ, LJC7, LJG, LJS, LVL, LX, LXU, LX2, LX26, LX4, NJ, NJG, NSJ, PHM, PX, PXU, QAB3, QAX2, QA2, QA26, QBC2, QBT6, QCB2, QCL, QGR2, QGR9, QH, QHE, QHP1, QHQ4, QH2, QH26, QI2, QKA4, QMC8, QMD6, QME4, QMH, QMX2, QMZ2, QNT, QP, QPU, QSC2, QSC9, QS2, QT, QVL, QWA4, QWX2, QX, QXC, QXC6, QXC9, QXE, QXE2, QXE4, QXE6, QXE8, QXF2, QXM1, QXS2, QXU, QXW, QX2, QX22, QX26, QX4, QX7, RH, RHA2, RHQ4, RH2, RH26, RMB4, RMD, RMG2, RSK, RSS1, RTB2, RX, RXE, RXE2, RXE4, RXU, RX4, SCJ, SG24, SH, SHM, SHQ4, SHRY, SJ, SJC1, SJC5, SJG, SKM, SMC7, SMC9, SMJ, SMJ1, SMW2, SMX4, SM11, SM12, SM14, SNX, SNX1, SSK1, SSSX2, ST, STM, STQ, SWG4, SWX2, SWX4, SX, SXE, SXE4, SXS4, SXU, SX4, SX7, S1CY, TCS2, TX, TXC9, TXU, TX2, TX26, TX4, UXU, VA2, VED, VED1, VED5, VED6, VGE4, VHA7, VHH4, VMS4, VMS7, VSD, VSD7, VSX, VSX1, VSX3, VTU1, VWA2, VW12, VX, VXD, VXD1, VXE4, VXE7, VXM, VXU, VXU1, VXW2, VX2, VX4, WDA6, WJP, WKD6, WKT2, WKT4, WKT6, WME2
4	16013-ZE0-005	FLOAT SET	1	(1)		BL, HG12, HH, HHQ4, HH26, HX, HXE2, HXE8, HXU, HX2, HX26, HX4, KTA, LA1, LH, LHB3, LHQ4, LJ, LJC7, LJG, LJS, LVL, LX, LXU, LX2, LX26, LX4, NJ, NJG, NSJ, PHM, PX, PXU, QAB3, QAX2, QA2, QA26, QBC2, QBT6, QCB2, QCL, QGR2, QGR9, QH, QHE, QHP1, QHQ4, QH2, QH26, QI2, QKA4, QMC8, QMD6, QME4, QMH, QMX2, QMZ2, QNT, QP, QPU, QSC2, QSC9, QS2, QT, QVL, QWA4, QWX2, QX, QXC, QXC6, QXC9, QXE, QXE2, QXE4, QXE6, QXE8, QXF2, QXM1, QXS2, QXU, QXW, QX2, QX22, QX26, QX4, QX7, RH, RHA2, RHQ4, RH2, RH26, RMB4, RMD, RMG2, RSK, RSS1, RTB2, RX, RXE, RXE2, RXE4, RXU, RX4, SCJ, SG24, SH, SHM, SHQ4, SHRY, SJ, SJC1, SJC5, SJG, SKM, SMC7, SMC9, SMJ, SMJ1, SMW2, SMX4, SM11, SM12, SM14, SNX, SNX1, SSK1, SSSX2, ST, STM, STQ, SWG4, SWX2, SWX4, SX, SXE, SXE4, SXS4, SXU, SX4, SX7, S1CY, TCS2, TX, TXC9, TXU, TX2, TX26, TX4, UXU, VA2, VED, VED1, VED5, VED6, VGE4, VHA7, VHH4, VMS4, VMS7, VSD, VSD7, VSX, VSX1, VSX3, VTU1, VWA2, VW12, VX, VXD, VXD1, VXE4, VXE7, VXM, VXU, VXU1, VXW2, VX2, VX4, WDA6, WJP, WKD6, WKT2, WKT4, WKT6, WME2
5	16015-ZE0-831	CHAMBER SET, FLOAT	1	(1)		BL, HG12, HH, HHQ4, HH26, HX, HXE2, HXE8, HXU, HX2, HX26, HX4, KTA, LA1, LH, LHB3, LHQ4, LJ, LJC7, LJG, LJS, LVL, LX, LXU, LX2, LX26, LX4, NJ, NJG, NSJ, PHM, PX, PXU, QAB3, QAX2, QA2, QA26, QBC2, QBT6, QCB2, QCL, QGR2, QGR9, QH, QHE, QHP1, QHQ4, QH2, QH26, QI2, QKA4, QMC8, QMD6, QME4, QMH, QMX2, QMZ2, QNT, QP, QPU, QSC2, QSC9, QS2, QT, QVL, QWA4, QWX2, QX, QXC, QXC6, QXC9, QXE, QXE2, QXE4, QXE6, QXE8, QXF2, QXM1, QXS2, QXU, QXW, QX2, QX22, QX26, QX4, QX7, RH, RHA2, RHQ4, RH2, RH26, RMB4, RMD, RMG2, RSK, RSS1, RTB2, RX, RXE, RXE2, RXE4, RXU, RX4, SCJ, SG24, SH, SHM, SHQ4, SHRY, SJ, SJC1, SJC5, SJG, SKM, SMC7, SMC9, SMJ, SMJ1, SMW2, SMX4, SM11, SM12, SM14, SNX, SNX1, SSK1, SSSX2, STQ, SWG4, SWX2, SWX4, SX, SXE, SXE4, SXS4, SXU, SX4, SX7, S1CY, TCS2, TX, TXC9, TXU, TX2, TX26, TX4, UXU, VA2, VED, VED1, VED5, VED6, VGE4, VHA7, VHH4, VMS4, VMS7, VSD, VSD7, VSX, VSX1, VSX3, VTU1, VWA2, VW12, VX, VXD, VXD1, VXE4, VXE7, VXM, VXU, VXU1, VXW2, VX2, VX4, WDA6, WJP, WKD6, WKT2, WKT4, WKT6, WME2
6	16015-ZH7-A21	CHAMBER SET, FLOAT	1	-		ST, STM
7	16016-ZE0-005	SCREW SET, PILOT	1	-		BL, LA1, LJS, LVL, QT, QVL, QXM1, RMD, SKM, SMJ, SM11, SNX, SNX1, ST, STM, VSX, VSX1, VTU1, VXU
8	16016-ZH7-W01	SCREW SET, PILOT	1	(1)		HG12, HH, HHQ4, HH26, HX, HXE2, HXE8, HXU, HX2, HX26, HX4, KTA, LH, LHB3, LHQ4, LJ, LJC7, LJG, LX, LXU, LX2, LX26, LX4, NJ, NJG, NSJ, PHM, PX, PXU, QAB3, QAX2, QA2, QA26, QBC2, QBT6, QCB2, QCL, QGR2, QGR9, QH, QHE, QHP1, QHQ4, QH2, QH26, QI2, QKA4, QMC8, QMD6, QME4, QMH, QMX2, QMZ2, QNT, QP, QPU, QS2, QWA4, QWX2, QX, QXE, QXE2, QXE4, QXE6, QXE8, QXF2, QXS2, QXU, QXW, QX2, QX22, QX26, QX4, QX7, RH, RHA2, RHQ4, RH2, RH26, RMB4, RMG2, RSK, RSS1, RTB2, RX, RXE, RXE2, RXE4, RXU, RX4, SCJ, SG24, SH, SHM, SHQ4, SHRY, SJ, SJC1, SJC5, SJG, SMC7, SMC9, SMJ1, SMW2, SMX4, SM12, SM14, SSK1, SSSX2, STQ, SWG4, SWX2, SWX4, SX, SXE, SXE4, SXS4, SXU, SX4, SX7, S1CY, TCS2, TX, TXU, TX2, TX26, TX4, UXU, VA2, VED, VED1, VED5, VED6, VGE4, VHA7, VHH4, VMS4, VMS7, VSD, VSD7, VSX, VSX1, VSX3, VTU1, VWA2, VW12, VX, VXD, VXD1, VXE4, VXE7, VXM, VXU1, VXW2, VX2, VX4, WDA6, WJP, WKD6, WKT2, WKT4, WKT6, WME2
	16016-ZH8-W01	SCREW SET	1	-		QSC2, QSC9, QXC, QXC6, QXC9, TXC9



E-14-2

CARBURETOR(3)

H 3



Z2F0-E1402

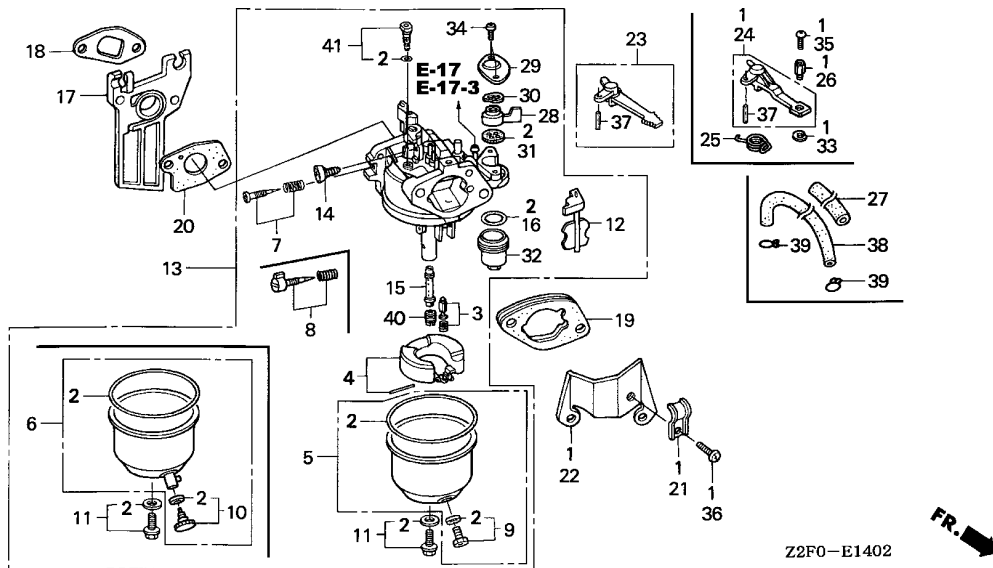


Ref. No.	Part No.	Description	Reqd. QTY		Serial No.	Parts catalogue code
			GX 160K1 (1)	GX 160K1 (2)		
9	16024-ZE1-811	SCREW SET, DRAIN	1	-	-----	BL, HG12, HH, HHQ4, HH26, HX, HXE2, HXE8, HXU, HX2, HX26, HX4, KTA, LA1, LH, LHB3, LHQ4, LJ, LJC7, LJG, LJS, LVL, LX, LXU, LX2, LX26, LX4, NJ, NJG, NSJ, PHM, PX, PXU, QAB3, QAX2, QA2, QA26, QBC2, QBT6, QCB2, QCL, QGR2, QGR9, QH, QHE, QHP1, QHQ4, QH2, QH26, QI2, QKA4, QMC8, QMD6, QME4, QMH, QMX2, QMZ2, QNT, QP, QPU, QSC2, QSC9, QS2, QT, QVL, QWA4, QWX2, QX, QXC, QXC6, QXC9, QXE, QXE2, QXE4, QXE6, QXE8, QXF2, QXM1, QXS2, QXU, QXW, QX2, QX22, QX26, QX4, QX7, RH, RHA2, RHQ4, RH2, RH26, RMB4, RMD, RMG2, RSK, RSS1, RTB2, RX, RXE, RXE2, RXE4, RXU, RX4, SCJ, SG24, SH, SHM, SHQ4, SHRY, SJ, SJC1, SJC5, SJG, SKM, SMC7, SMC9, SMJ, SMJ1, SMW2, SMX4, SM11, SM12, SM14, SNX, SNX1, SSK1, SSS2, STQ, SWG4, SWX2, SWX4, SX, SXE, SXE4, SXS4, SXU, SX4, SX7, S1CY, TCS2, TX, TXC9, TXU, TX2, TX26, TX4, UXU, VA2, VED, VED1, VED5, VED6, VGE4, VHA7, VHH4, VMS4, VMS7, VSD, VSD7, VSX, VSX1, VSX3, VTU1, VWA2, VW12, VX, VXD, VXD1, VXE4, VXE7, VXM, VXU, VXU1, VXW2, VX2, VX4, WDA6, WJP, WKD6, WKT2, WKT4, WKT6, WME2
10	16024-ZH7-A20	SCREW SET, DRAIN	1	-	-----	ST, STM
11	16028-ZE0-005	SCREW SET	1	-	-----	BL, HG12, HH, HHQ4, HH26, HX, HXE2, HXE8, HXU, HX2, HX26, HX4, KTA, LA1, LH, LHB3, LHQ4, LJ, LJC7, LJG, LJS, LVL, LX, LXU, LX2, LX26, LX4, NJ, NJG, NSJ, PHM, PX, PXU, QAB3, QAX2, QA2, QA26, QBC2, QBT6, QCB2, QCL, QGR2, QGR9, QH, QHE, QHP1, QHQ4, QH2, QH26, QI2, QKA4, QMC8, QMD6, QME4, QMH, QMX2, QMZ2, QNT, QP, QPU, QSC2, QSC9, QS2, QT, QVL, QWA4, QWX2, QX, QXC, QXC6, QXC9, QXE, QXE2, QXE4, QXE6, QXE8, QXF2, QXM1, QXS2, QXU, QXW, QX2, QX22, QX26, QX4, QX7, RH, RHA2, RHQ4, RH2, RH26, RMB4, RMD, RMG2, RSK, RSS1, RTB2, RX, RXE, RXE2, RXE4, RXU, RX4, SCJ, SG24, SH, SHM, SHQ4, SHRY, SJ, SJC1, SJC5, SJG, SKM, SMC7, SMC9, SMJ, SMJ1, SMW2, SMX4, SM11, SM12, SM14, SNX, SNX1, SSK1, SSS2, ST, STM, STQ, SWG4, SWX2, SWX4, SX, SXE, SXE4, SXS4, SXU, SX4, SX7, S1CY, TCS2, TX, TXC9, TXU, TX2, TX26, TX4, UXU, VA2, VED, VED1, VED5, VED6, VGE4, VHA7, VHH4, VMS4, VMS7, VSD, VSD7, VSX, VSX1, VSX3, VTU1, VWA2, VW12, VX, VXD, VXD1, VXE4, VXE7, VXM, VXU, VXU1, VXW2, VX2, VX4, WDA6, WJP, WKD6, WKT2, WKT4, WKT6, WME2

2

Ref. No.	Part No.	Description	Reqd. QTY		Serial No.	Parts catalogue code
			GX 160K1 (1)	GX 160K1 (2)		
12	16044-ZE0-005	CHOKE SET	1	-	-----	BL, HG12, HH, HHQ4, HH26, HX, HXE2, HXE8, HXU, HX2, HX26, HX4, KTA, LA1, LH, LHB3, LHQ4, LJ, LJC7, LJG, LJS, LVL, LX, LXU, LX2, LX26, LX4, NJ, NJG, NSJ, PHM, PX, PXU, QAB3, QAX2, QA2, QA26, QBC2, QBT6, QCB2, QCL, QGR2, QGR9, QH, QHE, QHP1, QHQ4, QH2, QH26, QI2, QKA4, QMC8, QMD6, QME4, QMH, QMX2, QMZ2, QNT, QP, QPU, QSC2, QSC9, QS2, QT, QVL, QWA4, QWX2, QX, QXC, QXC6, QXC9, QXE, QXE2, QXE4, QXE6, QXE8, QXF2, QXM1, QXS2, QXU, QXW, QX2, QX22, QX26, QX4, QX7, RH, RHA2, RHQ4, RH2, RH26, RMB4, RMD, RMG2, RSK, RSS1, RTB2, RX, RXE, RXE2, RXE4, RXU, RX4, SCJ, SG24, SH, SHM, SHQ4, SHRY, SJ, SJC1, SJC5, SJG, SMC7, SMC9, SMJ, SMJ1, SMW2, SMX4, SM11, SM12, SM14, SNX, SNX1, SSK1, SSSX2, ST, STM, STQ, SWG4, SWX2, SWX4, SX, SXE, SXE4, SXS4, SXU, SX4, SX7, S1CY, TCS2, TX, TXC9, TXU, TX2, TX26, TX4, UXU, VA2, VED, VED1, VED5, VED6, VGE4, VHA7, VHH4, VMS4, VMS7, VSD, VSD7, VSX, VSX1, VSX3, VTU1, VWA2, VW12, VX, VXD, VXD1, VXE4, VXE7, VXM, VXU, VXU1, VXW2, VX2, VX4, WDA6, WJP, WKD6, WKT2, WKT4, WKT6, WME2
			-	(1)		
13	16100-ZH8-V01	CARBURETOR ASSY. (BE06R B) ..	1	-	-----	ST, STM
	16100-ZH8-V11	CARBURETOR ASSY. (BE07C B) ..	1	-	-----	SKM
	16100-ZH8-V21	CARBURETOR ASSY. (BE65G B) ..	1	-	-----	QSC2, QSC9, QXC, QXC6, QXC9, TXC9
	16100-ZH8-W51	CARBURETOR ASSY. (BE65B B) ..	1	-	-----	HG12, HH, HHQ4, HH26, HX, HXE2, HXE8, HXU, HX2, HX26, HX4, KTA, LH, LHB3, LHQ4, LX, LXU, LX2, LX26, LX4, PHM, PX, PXU, QAX2, QBC2, QBT6, QCB2, QCL, QGR2, QGR9, QH, QHE, QHP1, QHQ4, QH2, QH26, QI2, QKA4, QMC8, QMD6, QME4, QMH, QMX2, QMZ2, QNT, QP, QPU, QS2, QWA4, QWX2, QX, QXE, QXE2, QXE4, QXE6, QXE8, QXF2, QXS2, QXU, QXW, QX2, QX26, QX4, QX7, RH, RHA2, RHQ4, RH2, RH26, RMB4, RMD, RMG2, RSK, RTB2, RX, RXE, RXE2, RXE4, RXU, RX4, SG24, SH, SHM, SHQ4, SMC7, SMC9, SMJ1, SMW2, SMX4, SM12, SM14, SSK1, SSSX2, STQ, SWG4, SWX2, SWX4, SX, SXE, SXE4, SXS4, SXU, SX4, SX7, S1CY, TCS2, TX, TX2, TX26, TX4, UXU, VA2, VGE4, VHA7, VHH4, VMS4, VMS7, VSD, VSD7, VSX, VSX1, VSX3, VWA2, VW12, VX, VXE4, VXE7, VXM, VXU1, VXW2, VX2, VX4, WDA6
	16100-ZH8-W61	CARBURETOR ASSY. (BE65C B) ..	1	-	-----	LJ, LJC7, LJG, NJ, NJG, NSJ, QAB3, QA2, QA26, RSS1, SCJ, SHRY, SJ, SJC1, SJC5, SJG, VED, VED1, VED5, VED6, VXD, VXD1, WJP, WKD6, WKT2, WKT4, WKT6, WME2
	16100-ZH8-822	CARBURETOR ASSY. (BE06J C) ..	1	-	-----	LA1, LJS, QT, QXM1, RMD, SMJ, SM11, SNX, SNX1, VSX, VSX1, VTU1, VXU
	16100-ZK8-W81	CARBURETOR ASSY. (BE65M A) ..	1	-	-----	BL, LVL, QVL
14	16124-ZE0-005	SCREW, THROTTLE STOP	1	-	-----	BL, HG12, HH, HHQ4, HH26, HX, HXE2, HXE8, HXU, HX2, HX26, HX4, KTA, LA1, LH, LHB3, LHQ4, LJ, LJC7, LJG, LJS, LVL, LX, LXU, LX2, LX26, LX4, NJ, NJG, NSJ, PHM, PX, PXU, QAB3, QAX2, QA2, QA26, QBC2, QBT6, QCB2, QCL, QGR2, QGR9, QH, QHE, QHP1, QHQ4, QH2, QH26, QI2, QKA4, QMC8, QMD6, QME4, QMH, QMX2, QMZ2, QNT, QP, QPU, QSC2, QSC9, QS2, QT, QVL, QWA4, QWX2, QX, QXC, QXC6, QXC9, QXE, QXE2, QXE4, QXE6, QXE8, QXF2, QXM1, QXS2, QXU, QXW, QX2, QX22, QX26, QX4, QX7, RH, RHA2, RHQ4, RH2, RH26, RMB4, RMD, RMG2, RSK, RSS1, RTB2, RX, RXE, RXE2, RXE4, RXU, RX4, SCJ, SG24, SH, SHM, SHQ4, SHRY, SJ, SJC1, SJC5, SJG, SKM, SMC7, SMC9, SMJ, SMJ1, SMW2, SMX4, SM11, SM12, SM14, SNX, SNX1, SSK1, SSSX2, ST, STM, STQ, SWG4, SWX2, SWX4, SX, SXE, SXE4, SXS4, SXU, SX4, SX7, S1CY, TCS2, TX, TXC9, TXU, TX2, TX26, TX4, UXU, VA2, VED, VED1, VED5, VED6, VGE4, VHA7, VHH4, VMS4, VMS7, VSD, VSD7, VSX, VSX1, VSX3, VTU1, VWA2, VW12, VX, VXD, VXD1, VXE4, VXE7, VXM, VXU, VXU1, VXW2, VX2, VX4, WDA6, WJP, WKD6, WKT2, WKT4, WKT6, WME2
			-	(1)		
15	16166-ZF1-005	NOZZLE, MAIN	1	-	-----	SKM
	16166-ZH8-W00	1	-	-----	QSC2, QSC9, QXC, QXC6, QXC9, TXC9
	16166-ZH8-W50	1	-	-----	HG12, HH, HHQ4, HH26, HX, HXE2, HXE8, HXU, HX2, HX26, HX4, KTA, LA1, LH, LHB3, LHQ4, LJS, LX, LXU, LX2, LX26, LX4, PHM, PX, PXU, QAX2, QBC2, QBT6, QCB2, QCL, QGR2, QGR9, QH, QHE, QHP1, QHQ4, QH2, QH26, QI2, QKA4, QMC8, QMD6, QME4, QMH, QMX2, QMZ2, QNT, QP, QPU, QS2, QT, QWA4, QWX2, QX, QXE, QXE2, QXE4, QXE6, QXE8, QXF2, QXM1, QXS2, QXU, QXW, QX2, QX22, QX26, QX4, QX7, RH, RHA2, RHQ4, RH2, RH26, RMB4, RMD, RMG2, RSK, RTB2, RX, RXE, RXE2, RXE4, RXU, RX4, SG24, SH, SHM, SHQ4, SMC7, SMC9, SMJ1, SMW2, SMX4, SM11, SM12, SM14, SNX, SNX1, SSK1, SSSX2, STQ, SWG4, SWX2, SWX4, SX, SXE, SXE4, SXS4, SXU, SX4, SX7, S1CY, TCS2, TX, TXU, TX2, TX26, TX4, UXU, VA2, VGE4, VHA7, VHH4, VMS4, VMS7, VSD, VSD7, VSX, VSX1, VSX3, VTU1, VWA2, VW12, VX, VXD, VXD1, VXE4, VXE7, VXM, VXU, VXU1, VXW2, VX2, VX4, WDA6
			-	(1)		

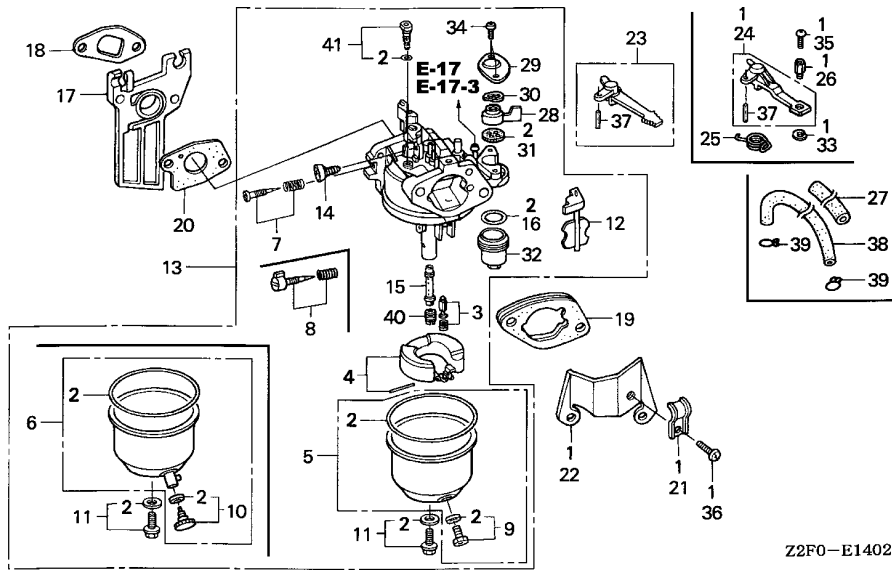




Ref. No.	Part No.	Description	Reqd. QTY		Serial No.	Parts catalogue code
			GX 160K1 (1)	GX 160K1 (2)		
15)	16166-ZH8-W60	NOZZLE, MAIN	1	-	-----	BL,LJ,LJC7,LJG,LVL,NJ,NJG,NSJ,QAB3,QA2,QA26,QVL,RSS1,SCJ,SHRY,SJ,SJC1 SJC5,SJG,VED,VED1,VED5,VED6,VXD,VXD1,WJP,WKD6,WKT2,WKT4,WKT6,WME2 ST,STM
	16166-ZH8-810	1	-	-----	
16	16173-001-004	PACKING, FUEL STRAINER CUP ..	1	-	-----	BL,HG12,HH,HHQ4,HH26,HX,HXE2,HXE8,HXU,HX2,HX26,HX4,KTA,LA1,LH,LHB3 LHQ4,LJ,LJC7,LJG,LJS,LVL,LX,LXU,LX2,LX26,LX4,NJ,NJG,NSJ,PHM,PX,PXU QAB3,QAX2,QA2,QA26,QBC2,QBT6,QCB2,QCL,QGR2,QGR9,QH,QHE,QHP1,QHQ4,QH2 QH26,QI2,QKA4,QMC8,QMD6,QME4,QMH,QMX2,QMZ2,QNT,QP,QPU,QSC2,QSC9,QS2 QT,QVL,QWA4,QWX2,QX,QXC,QXC6,QXC9,QXE,QXE2,QXE4,QXE6,QXE8,QXF2,QXM1 QXS2,QXU,QXW,QX2,QX22,QX26,QX4,QX7,RH,RHA2,RHQ4,RH2,RH26,RMB4,RMD RMG2,RSK,RSS1,RTB2,RX,RXE,RXE2,RXE4,RXU,RX4,SCJ,SG24,SH,SHM,SHQ4,SHRY SJ,SJC1,SJC5,SJG,SKM,SMC7,SMC9,SMJ,SMJ1,SMW2,SMX4,SM11,SM12,SM14,SNX SNX1,SSK1,SSX2,ST,STM,STQ,SWG4,SWX2,SWX4,SX,SXE,SXE4,SXS4,SXU,SX4,SX7 S1CY,TCS2,TX,TXC9,TXU,TX2,TX26,TX4,UXU,VA2,VED,VED1,VED5,VED6,VGE4 VHA7,VHH4,VMS4,VMS7,VSD,VSD7,VSX,VSX1,VSX3,VTU1,VWA2,VW12,VX,VXD,VXD1 VXE4,VXE7,VXM,VXU,VXU1,VXW2,VX2,VX4,WDA6,WJP,WKD6,WKT2,WKT4,WKT6,WME2
			-	(1)		

Ref. No.	Part No.	Description	Reqd. QTY		Serial No.	Parts catalogue code
			GX 160K1 (1)	GX 160K1 (2)		
17	16211-ZE1-000	INSULATOR, CARBURETOR	1	-		BL, HG12, HH, HHQ4, HH26, HX, HXE2, HXE8, HXU, HX2, HX26, HX4, KTA, LA1, LH, LHB3, LHQ4, LJ, LJC7, LJG, LJS, LVL, LX, LXU, LX2, LX26, LX4, NJ, NJG, NSJ, PHM, PX, PXU, QAB3, QAX2, QA2, QA26, QBC2, QBT6, QCB2, QCL, QGR2, QGR9, QH, QHE, QHP1, QHQ4, QH2, QH26, QI2, QKA4, QMC8, QMD6, QME4, QMH, QMX2, QMZ2, QNT, QP, QPU, QSC2, QSC9, QS2, QT, QVL, QWA4, QWX2, QX, QXC, QXC6, QXC9, QXE, QXE2, QXE4, QXE6, QXE8, QXF2, QXM1, QXS2, QXU, QXW, QX2, QX22, QX26, QX4, QX7, RH, RHA2, RHQ4, RH2, RH26, RMB4, RMD, RMG2, RSK, RSS1, RTB2, RX, RXE, RXE2, RXE4, RXU, RX4, SCJ, SG24, SH, SHM, SHQ4, SHRY, SJ, SJC1, SJC5, SJG, SKM, SMC7, SMC9, SMJ, SMJ1, SMW2, SMX4, SM11, SM12, SM14, SNX, SNX1, SSK1, SSSX2, ST, STM, STQ, SWG4, SWX2, SWX4, SX, SXE, SXE4, SXS4, SXU, SX4, SX7, S1CY, TCS2, TX, TXC9, TXU, TX2, TX26, TX4, UXU, VA2, VED, VED1, VED5, VED6, VGE4, VHA7, VHH4, VMS4, VMS7, VSD, VSD7, VSX, VSX1, VSX3, VTU1, VWA2, VW12, VX, VXD, VXD1, VXE4, VXE7, VXM, VXU, VXU1, VXW2, VX2, VX4, WDA6, WJP, WKD6, WKT2, WKT4, WKT6, WME2
18	16212-ZH8-800	PACKING, INSULATOR	1	-		BL, HG12, HH, HHQ4, HH26, HX, HXE2, HXE8, HXU, HX2, HX26, HX4, KTA, LA1, LH, LHB3, LHQ4, LJ, LJC7, LJG, LJS, LVL, LX, LXU, LX2, LX26, LX4, NJ, NJG, NSJ, PHM, PX, PXU, QAB3, QAX2, QA2, QA26, QBC2, QBT6, QCB2, QCL, QGR2, QGR9, QH, QHE, QHP1, QHQ4, QH2, QH26, QI2, QKA4, QMC8, QMD6, QME4, QMH, QMX2, QMZ2, QNT, QP, QPU, QSC2, QSC9, QS2, QT, QVL, QWA4, QWX2, QX, QXC, QXC6, QXC9, QXE, QXE2, QXE4, QXE6, QXE8, QXF2, QXM1, QXS2, QXU, QXW, QX2, QX22, QX26, QX4, QX7, RH, RHA2, RHQ4, RH2, RH26, RMB4, RMD, RMG2, RSK, RSS1, RTB2, RX, RXE, RXE2, RXE4, RXU, RX4, SCJ, SG24, SH, SHM, SHQ4, SHRY, SJ, SJC1, SJC5, SJG, SKM, SMC7, SMC9, SMJ, SMJ1, SMW2, SMX4, SM11, SM12, SM14, SNX, SNX1, SSK1, SSSX2, ST, STM, STQ, SWG4, SWX2, SWX4, SX, SXE, SXE4, SXS4, SXU, SX4, SX7, S1CY, TCS2, TX, TXC9, TXU, TX2, TX26, TX4, UXU, VA2, VED, VED1, VED5, VED6, VGE4, VHA7, VHH4, VMS4, VMS7, VSD, VSD7, VSX, VSX1, VSX3, VTU1, VWA2, VW12, VX, VXD, VXD1, VXE4, VXE7, VXM, VXU, VXU1, VXW2, VX2, VX4, WDA6, WJP, WKD6, WKT2, WKT4, WKT6, WME2
19	16220-ZE1-020	SPACER COMP., CARBURETOR	1	(1)		BL, HG12, HH, HHQ4, HH26, HX, HXE2, HXE8, HXU, HX2, HX26, HX4, KTA, LA1, LH, LHB3, LHQ4, LJ, LJC7, LJG, LJS, LVL, LX, LXU, LX2, LX26, LX4, NJ, NJG, NSJ, PHM, PX, PXU, QAB3, QAX2, QA2, QA26, QBC2, QBT6, QCB2, QCL, QGR2, QGR9, QH, QHE, QHP1, QHQ4, QH2, QH26, QI2, QKA4, QMC8, QMD6, QME4, QMH, QMX2, QMZ2, QNT, QP, QPU, QSC2, QSC9, QS2, QT, QVL, QWA4, QWX2, QX, QXC, QXC6, QXC9, QXE, QXE2, QXE4, QXE6, QXE8, QXF2, QXM1, QXS2, QXU, QXW, QX2, QX22, QX26, QX4, QX7, RH, RHA2, RHQ4, RH2, RH26, RMB4, RMD, RMG2, RSK, RSS1, RTB2, RX, RXE, RXE2, RXE4, RXU, RX4, SCJ, SG24, SH, SHM, SHQ4, SHRY, SJ, SJC1, SJC5, SJG, SKM, SMC7, SMC9, SMJ, SMJ1, SMW2, SMX4, SM11, SM12, SM14, SNX, SNX1, SSK1, SSSX2, ST, STM, STQ, SWG4, SWX2, SWX4, SX, SXE, SXE4, SXS4, SXU, SX4, SX7, S1CY, TCS2, TX, TXC9, TXU, TX2, TX26, TX4, UXU, VA2, VED, VED1, VED5, VED6, VGE4, VHA7, VHH4, VMS4, VMS7, VSD, VSD7, VSX, VSX1, VSX3, VTU1, VWA2, VW12, VX, VXD, VXD1, VXE4, VXE7, VXM, VXU, VXU1, VXW2, VX2, VX4, WDA6, WJP, WKD6, WKT2, WKT4, WKT6, WME2
20	16221-ZH8-801	PACKING, CARBURETOR	1	-		BL, HG12, HH, HHQ4, HH26, HX, HXE2, HXE8, HXU, HX2, HX26, HX4, KTA, LA1, LH, LHB3, LHQ4, LJ, LJC7, LJG, LJS, LVL, LX, LXU, LX2, LX26, LX4, NJ, NJG, NSJ, PHM, PX, PXU, QAB3, QAX2, QA2, QA26, QBC2, QBT6, QCB2, QCL, QGR2, QGR9, QH, QHE, QHP1, QHQ4, QH2, QH26, QI2, QKA4, QMC8, QMD6, QME4, QMH, QMX2, QMZ2, QNT, QP, QPU, QSC2, QSC9, QS2, QT, QVL, QWA4, QWX2, QX, QXC, QXC6, QXC9, QXE, QXE2, QXE4, QXE6, QXE8, QXF2, QXM1, QXS2, QXU, QXW, QX2, QX22, QX26, QX4, QX7, RH, RHA2, RHQ4, RH2, RH26, RMB4, RMD, RMG2, RSK, RSS1, RTB2, RX, RXE, RXE2, RXE4, RXU, RX4, SCJ, SG24, SH, SHM, SHQ4, SHRY, SJ, SJC1, SJC5, SJG, SKM, SMC7, SMC9, SMJ, SMJ1, SMW2, SMX4, SM11, SM12, SM14, SNX, SNX1, SSK1, SSSX2, ST, STM, STQ, SWG4, SWX2, SWX4, SX, SXE, SXE4, SXS4, SXU, SX4, SX7, S1CY, TCS2, TX, TXC9, TXU, TX2, TX26, TX4, UXU, VA2, VED, VED1, VED5, VED6, VGE4, VHA7, VHH4, VMS4, VMS7, VSD, VSD7, VSX, VSX1, VSX3, VTU1, VWA2, VW12, VX, VXD, VXD1, VXE4, VXE7, VXM, VXU, VXU1, VXW2, VX2, VX4, WDA6, WJP, WKD6, WKT2, WKT4, WKT6, WME2
21	16582-883-300	HOLDER, CONTROL CABLE	1	-		HG12, QSC2, QSC9, QXW, ST, STM, SWG4
22	16598-ZE1-000	STAY, CHOKE CONTROL	1	-		HG12, QSC2, QSC9, QXW, ST, STM, SWG4





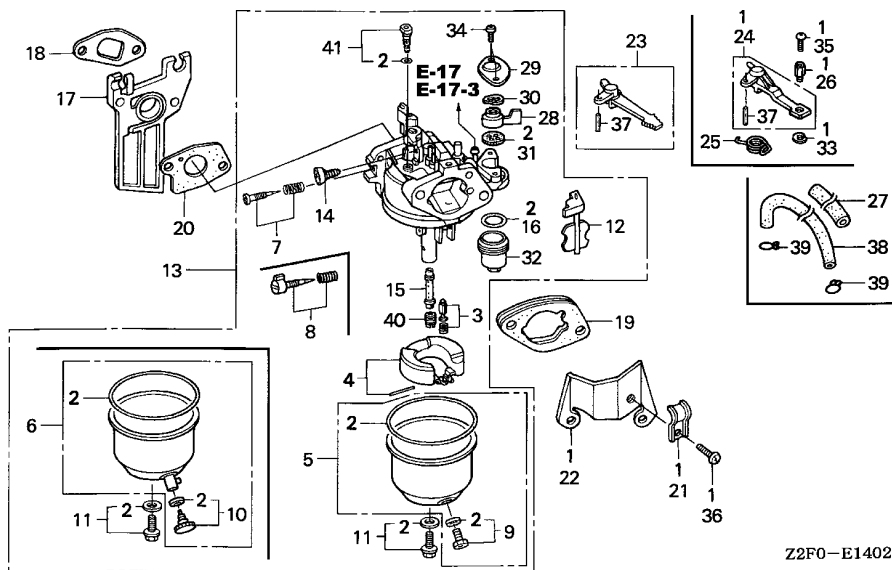
Z2F0-E1402



Ref. No.	Part No.	Description	Reqd. QTY		Serial No.	Parts catalogue code
			GX 160K1 (1)	GX 160K1 (2)		
23	16610-ZE1-000	LEVER COMP., CHOKE (STD.) ...	1	-	-----	BL,HH,HHQ4,HH26,HX,HXE2,HXE8,HXU,HX2,HX26,HX4,KTA,LA1,LH,LHB3,LHQ4,LJ,LJC7,LJG,LJS,LVL,LX,LXU,LX2,LX26,LX4,NJ,NJG,NSJ,PHM,PX,PXU,QAB3,QAX2,QA2,QA26,QBC2,QBT6,QCB2,QCL,QGR2,QGR9,QH,QHE,QHP1,QHQ4,QH2,QH26,QI2,QKA4,QMC8,QMD6,QME4,QMH,QMX2,QMZ2,QNT,QP,QPU,QS2,QT,QVL,QWA4,QWX2,QX,QXC,QXC6,QXC9,QXE,QXE2,QXE4,QXE6,QXE8,QXF2,QXM1,QXS2,QXU,QX2,QX22,QX26,QX4,QX7,RH,RHA2,RHQ4,RH2,RH26,RMB4,RMD,RMG2,RSK,RSS1,RTB2,RX,RXE,RXE2,RXE4,RXU,RX4,SCJ,SG24,SH,SHM,SHQ4,SHRY,SJ,SJC1,SJC5,SJG,SMC7,SMC9,SMJ,SMJ1,SMW2,SMX4,SM11,SM12,SM14,SNX,SNX1,SSK1,SSX2,STQ,SWX2,SWX4,SX,SXE,SXE4,SXS4,SXU,SX4,SX7,S1CY,TCS2,TX,TXC9,TXU,TX2,TX26,TX4,UXU,VA2,VED,VED1,VED5,VED6,VGE4,VHA7,VHH4,VMS4,VMS7,VSD,VSD7,VSX,VSX1,VSX3,VTU1,VWA2,VW12,VX,VXD,VXD1,VXE4,VXE7,VXM,VXU,VXU1,VXW2,VX2,VX4,WDA6,WJP,WKD6,WKT2,WKT4,WKT6,WME2
24	16610-ZE1-810	LEVER COMP., CHOKE (REMOTE) -	1	(1)	-----	HG12,QSC2,QSC9,QXW,ST,STM,SWG4
25	16615-ZE1-010	SPRING, RETURN	1	(1)	-----	HG12,QSC2,QSC9,QXW,ST,STM,SWG4
26	16617-890-010	HOLDER, CABLE	1	(1)	-----	HG12,QSC2,QSC9,QXW,ST,STM,SWG4
27	16854-ZG0-960	RUBBER, SUPPORTER	1	(1)	-----	QCL

Ref. No.	Part No.	Description	Reqd. QTY		Serial No.	Parts catalogue code
			GX 160K1 (1)	GX 160K1 (2)		
28	16953-ZE1-812	LEVER, COCK	1	-		BL, HG12, HH, HHQ4, HH26, HX, HXE2, HXE8, HXU, HX2, HX26, HX4, KTA, LA1, LH, LHB3, LHQ4, LJ, LJC7, LJG, LJS, LVL, LX, LXU, LX2, LX26, LX4, NJ, NJG, NSJ, PHM, PX, PXU, QAB3, QAX2, QA2, QA26, QBC2, QBT6, QCB2, QCL, QGR2, QGR9, QH, QHE, QHP1, QHQ4, QH2, QH26, QI2, QKA4, QMC8, QMD6, QME4, QMH, QMX2, QMZ2, QNT, QP, QPU, QSC2, QSC9, QS2, QT, QVL, QWA4, QWX2, QX, QXC, QXC6, QXC9, QXE, QXE2, QXE4, QXE6, QXE8, QXF2, QXM1, QXS2, QXU, QXW, QX2, QX22, QX26, QX4, QX7, RH, RHA2, RHQ4, RH2, RH26, RMB4, RMD, RMG2, RSK, RSS1, RTB2, RX, RXE, RXE2, RXE4, RXU, RX4, SCJ, SG24, SH, SHM, SHQ4, SHRY, SJ, SJC1, SJC5, SJG, SKM, SMC7, SMC9, SMJ, SMJ1, SMW2, SMX4, SM11, SM12, SM14, SNX, SNX1, SSK1, SSSX2, ST, STM, STQ, SWG4, SWX2, SWX4, SX, SXE, SXE4, SXS4, SXU, SX4, SX7, S1CY, TCS2, TX, TXC9, TXU, TX2, TX26, TX4, UXU, VA2, VED, VED1, VED5, VED6, VGE4, VHA7, VHH4, VMS4, VMS7, VSD, VSD7, VSX, VSX1, VSX3, VTU1, VWA2, VW12, VX, VXD, VXD1, VXE4, VXE7, VXM, VXU, VXU1, VXW2, VX2, VX4, WDA6, WJP, WKD6, WKT2, WKT4, WKT6, WME2
			-	(1)		
29	16954-ZE1-812	PLATE, LEVER SETTING	1	-		BL, HG12, HH, HHQ4, HH26, HX, HXE2, HXE8, HXU, HX2, HX26, HX4, KTA, LA1, LH, LHB3, LHQ4, LJ, LJC7, LJG, LJS, LVL, LX, LXU, LX2, LX26, LX4, NJ, NJG, NSJ, PHM, PX, PXU, QAB3, QAX2, QA2, QA26, QBC2, QBT6, QCB2, QCL, QGR2, QGR9, QH, QHE, QHP1, QHQ4, QH2, QH26, QI2, QKA4, QMC8, QMD6, QME4, QMH, QMX2, QMZ2, QNT, QP, QPU, QSC2, QSC9, QS2, QT, QVL, QWA4, QWX2, QX, QXC, QXC6, QXC9, QXE, QXE2, QXE4, QXE6, QXE8, QXF2, QXM1, QXS2, QXU, QXW, QX2, QX22, QX26, QX4, QX7, RH, RHA2, RHQ4, RH2, RH26, RMB4, RMD, RMG2, RSK, RSS1, RTB2, RX, RXE, RXE2, RXE4, RXU, RX4, SCJ, SG24, SH, SHM, SHQ4, SHRY, SJ, SJC1, SJC5, SJG, SKM, SMC7, SMC9, SMJ, SMJ1, SMW2, SMX4, SM11, SM12, SM14, SNX, SNX1, SSK1, SSSX2, ST, STM, STQ, SWG4, SWX2, SWX4, SX, SXE, SXE4, SXS4, SXU, SX4, SX7, S1CY, TCS2, TX, TXC9, TXU, TX2, TX26, TX4, UXU, VA2, VED, VED1, VED5, VED6, VGE4, VHA7, VHH4, VMS4, VMS7, VSD, VSD7, VSX, VSX1, VSX3, VTU1, VWA2, VW12, VX, VXD, VXD1, VXE4, VXE7, VXM, VXU, VXU1, VXW2, VX2, VX4, WDA6, WJP, WKD6, WKT2, WKT4, WKT6, WME2
			-	(1)		
30	16956-ZE1-811	SPRING, COCK LEVER	1	-		BL, HG12, HH, HHQ4, HH26, HX, HXE2, HXE8, HXU, HX2, HX26, HX4, KTA, LA1, LH, LHB3, LHQ4, LJ, LJC7, LJG, LJS, LVL, LX, LXU, LX2, LX26, LX4, NJ, NJG, NSJ, PHM, PX, PXU, QAB3, QAX2, QA2, QA26, QBC2, QBT6, QCB2, QCL, QGR2, QGR9, QH, QHE, QHP1, QHQ4, QH2, QH26, QI2, QKA4, QMC8, QMD6, QME4, QMH, QMX2, QMZ2, QNT, QP, QPU, QSC2, QSC9, QS2, QT, QVL, QWA4, QWX2, QX, QXC, QXC6, QXC9, QXE, QXE2, QXE4, QXE6, QXE8, QXF2, QXM1, QXS2, QXU, QXW, QX2, QX22, QX26, QX4, QX7, RH, RHA2, RHQ4, RH2, RH26, RMB4, RMD, RMG2, RSK, RSS1, RTB2, RX, RXE, RXE2, RXE4, RXU, RX4, SCJ, SG24, SH, SHM, SHQ4, SHRY, SJ, SJC1, SJC5, SJG, SKM, SMC7, SMC9, SMJ, SMJ1, SMW2, SMX4, SM11, SM12, SM14, SNX, SNX1, SSK1, SSSX2, ST, STM, STQ, SWG4, SWX2, SWX4, SX, SXE, SXE4, SXS4, SXU, SX4, SX7, S1CY, TCS2, TX, TXC9, TXU, TX2, TX26, TX4, UXU, VA2, VED, VED1, VED5, VED6, VGE4, VHA7, VHH4, VMS4, VMS7, VSD, VSD7, VSX, VSX1, VSX3, VTU1, VWA2, VW12, VX, VXD, VXD1, VXE4, VXE7, VXM, VXU, VXU1, VXW2, VX2, VX4, WDA6, WJP, WKD6, WKT2, WKT4, WKT6, WME2
			-	(1)		
31	16957-ZE1-812	PACKING, FUEL COCK	1	-		BL, HG12, HH, HHQ4, HH26, HX, HXE2, HXE8, HXU, HX2, HX26, HX4, KTA, LA1, LH, LHB3, LHQ4, LJ, LJC7, LJG, LJS, LVL, LX, LXU, LX2, LX26, LX4, NJ, NJG, NSJ, PHM, PX, PXU, QAB3, QAX2, QA2, QA26, QBC2, QBT6, QCB2, QCL, QGR2, QGR9, QH, QHE, QHP1, QHQ4, QH2, QH26, QI2, QKA4, QMC8, QMD6, QME4, QMH, QMX2, QMZ2, QNT, QP, QPU, QSC2, QSC9, QS2, QT, QVL, QWA4, QWX2, QX, QXC, QXC6, QXC9, QXE, QXE2, QXE4, QXE6, QXE8, QXF2, QXM1, QXS2, QXU, QXW, QX2, QX22, QX26, QX4, QX7, RH, RHA2, RHQ4, RH2, RH26, RMB4, RMD, RMG2, RSK, RSS1, RTB2, RX, RXE, RXE2, RXE4, RXU, RX4, SCJ, SG24, SH, SHM, SHQ4, SHRY, SJ, SJC1, SJC5, SJG, SKM, SMC7, SMC9, SMJ, SMJ1, SMW2, SMX4, SM11, SM12, SM14, SNX, SNX1, SSK1, SSSX2, ST, STM, STQ, SWG4, SWX2, SWX4, SX, SXE, SXE4, SXS4, SXU, SX4, SX7, S1CY, TCS2, TX, TXC9, TXU, TX2, TX26, TX4, UXU, VA2, VED, VED1, VED5, VED6, VGE4, VHA7, VHH4, VMS4, VMS7, VSD, VSD7, VSX, VSX1, VSX3, VTU1, VWA2, VW12, VX, VXD, VXD1, VXE4, VXE7, VXM, VXU, VXU1, VXW2, VX2, VX4, WDA6, WJP, WKD6, WKT2, WKT4, WKT6, WME2
			-	(1)		





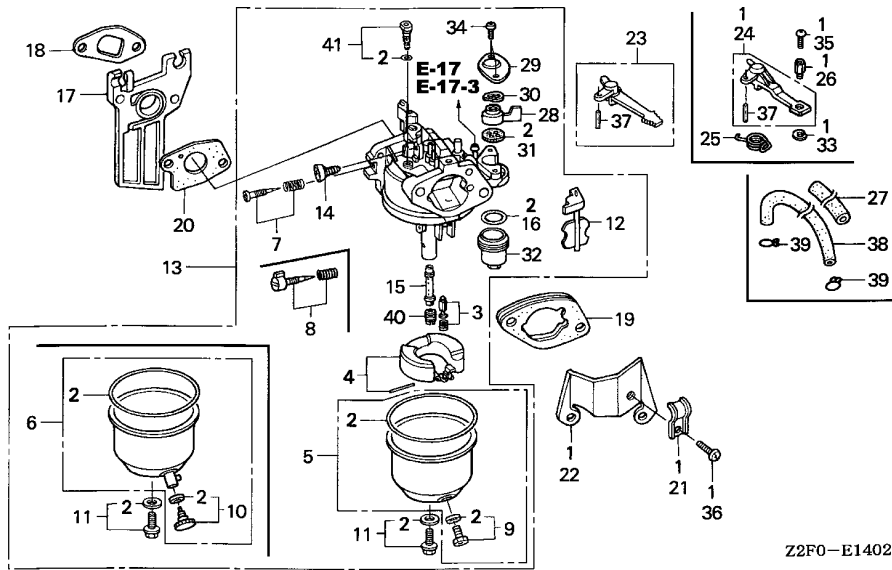
Z2F0-E1402



Ref. No.	Part No.	Description	Reqd. QTY		Serial No.	Parts catalogue code
			GX 160K1 (1)	GX 160K1 (2)		
32	16967-ZE0-811	CUP, FUEL STRAINER	1	-	-	BL, HG12, HH, HHQ4, HH26, HX, HXE2, HXE8, HXU, HX2, HX26, HX4, KTA, LA1, LH, LHB3, LHQ4, LJ, LJC7, LJG, LJS, LVL, LX, LXU, LX2, LX26, LX4, NJ, NJG, NSJ, PHM, PX, PXU, QAB3, QAX2, QA2, QA26, QBC2, QBT6, QCB2, QCL, QGR2, QGR9, QH, QHE, QHP1, QHQ4, QH2, QH26, QI2, QKA4, QMC8, QMD6, QME4, QMH, QMX2, QMZ2, QNT, QP, QPU, QSC2, QSC9, QS2, QT, QVL, QWA4, QWX2, QX, QXC, QXC6, QXC9, QXE, QXE2, QXE4, QXE6, QXE8, QXF2, QXM1, QXS2, QXU, QXW, QX2, QX22, QX26, QX4, QX7, RH, RHA2, RHQ4, RH2, RH26, RMB4, RMD, RMG2, RSK, RSS1, RTB2, RX, RXE, RXE2, RXE4, RXU, RX4, SCJ, SG24, SH, SHM, SHQ4, SHRY, SJ, SJC1, SJC5, SJG, SKM, SMC7, SMC9, SMJ, SMJ1, SMW2, SMX4, SM11, SM12, SM14, SNX, SNX1, SSK1, SSS2, ST, STM, STQ, SWG4, SWX2, SWX4, SX, SXE, SXE4, SXS4, SXU, SX4, SX7, S1CY, TCS2, TX, TXC9, TXU, TX2, TX26, TX4, UXU, VA2, VED, VED1, VED5, VED6, VGE4, VHA7, VHH4, VMS4, VMS7, VSD, VSD7, VSX, VSX1, VSX3, VTU1, VWA2, VW12, VX, VXD, VXD1, VXE4, VXE7, VXM, VXU, VXU1, VXW2, VX2, VX4, WDA6, WJP, WKD6, WKT2, WKT4, WKT6, WME2
			-	(1)		
33	90605-230-000	CIRCLIP, 5MM	1	-	-	HG12, QSC2, QSC9, QXW, ST, STM, SWG4
			-	(1)		
34	93500-03006-1H	SCREW, PAN, 3X6	2	-	-	BL, HG12, HH, HHQ4, HH26, HX, HXE2, HXE8, HXU, HX2, HX26, HX4, KTA, LA1, LH, LHB3, LHQ4, LJ, LJC7, LJG, LJS, LVL, LX, LXU, LX2, LX26, LX4, NJ, NJG, NSJ, PHM, PX, PXU, QAB3, QAX2, QA2, QA26, QBC2, QBT6, QCB2, QCL, QGR2, QGR9, QH, QHE, QHP1, QHQ4, QH2, QH26, QI2, QKA4, QMC8, QMD6, QME4, QMH, QMX2, QMZ2, QNT, QP, QPU, QSC2, QSC9, QS2, QT, QVL, QWA4, QWX2, QX, QXC, QXC6, QXC9, QXE, QXE2, QXE4, QXE6, QXE8, QXF2, QXM1, QXS2, QXU, QXW, QX2, QX22, QX26, QX4, QX7, RH, RHA2, RHQ4, RH2, RH26, RMB4, RMD, RMG2, RSK, RSS1, RTB2, RX, RXE, RXE2, RXE4, RXU, RX4, SCJ, SG24, SH, SHM, SHQ4, SHRY, SJ, SJC1, SJC5, SJG, SKM, SMC7, SMC9, SMJ, SMJ1, SMW2, SMX4, SM11, SM12, SM14, SNX, SNX1, SSK1, SSS2, ST, STM, STQ, SWG4, SWX2, SWX4, SX, SXE, SXE4, SXS4, SXU, SX4, SX7, S1CY, TCS2, TX, TXC9, TXU, TX2, TX26, TX4, UXU, VA2, VED, VED1, VED5, VED6, VGE4, VHA7, VHH4, VMS4, VMS7, VSD, VSD7, VSX, VSX1, VSX3, VTU1, VWA2, VW12, VX, VXD, VXD1, VXE4, VXE7, VXM, VXU, VXU1, VXW2, VX2, VX4, WDA6, WJP, WKD6, WKT2, WKT4, WKT6, WME2
			-	(2)		

Ref. No.	Part No.	Description	Reqd. QTY		Serial No.	Parts catalogue code
			GX 160K1 (1)	GX 160K1 (2)		
35	93500-04008-0A	SCREW, PAN, 4X8	1	-	-----	HG12,QSC2,QSC9,QXW,ST,STM,SWG4
			-	(1)		
36	93500-05008-0A	SCREW, PAN, 5X8	1	-	-----	HG12,QSC2,QSC9,QXW,ST,STM,SWG4
			-	(1)		
37	94305-20122	PIN, SPRING, 2X12	1	-	-----	BL,HG12,HH,HHQ4,HH26,HX,HXE2,HXE8,HXU,HX2,HX26,HX4,KTA,LA1,LH,LHB3,LHQ4,LJ,LJC7,LJG,LJS,LVL,LX,LXU,LX2,LX26,LX4,NJ,NJG,NSJ,PHM,PX,PXU,QAB3,QAX2,QA2,QA26,QBC2,QBT6,QCB2,QCL,QGR2,QGR9,QH,QHE,QHP1,QHQ4,QH2,QH26,QI2,QKA4,QMC8,QMD6,QME4,QMH,QMX2,QMZ2,QNT,QP,QPU,QSC2,QSC9,QS2,QT,QVL,QWA4,QWX2,QX,QXC,QXC6,QXC9,QXE,QXE2,QXE4,QXE6,QXE8,QXF2,QXM1,QXS2,QXU,QXW,QX2,QX22,QX26,QX4,QX7,RH,RHA2,RHQ4,RH2,RH26,RMB4,RMD,RMG2,RSK,RSS1,RTB2,RX,RXE,RXE2,RXE4,RXU,RX4,SCJ,SG24,SH,SHM,SHQ4,SHRY,SJ,SJC1,SJC5,SJG,SMC7,SMC9,SMJ,SMJ1,SMW2,SMX4,SM11,SM12,SM14,SNX,SNX1,SSK1,SSX2,ST,STM,STQ,SWG4,SWX2,SWX4,SX,SXE,SXE4,SXS4,SXU,SX4,SX7,S1CY,TCS2,TX,TXC9,TXU,TX2,TX26,TX4,UXU,VA2,VED,VED1,VED5,VED6,VGE4,VHA7,VHH4,VMS4,VMS7,VSD,VSD7,VSX,VSX1,VSX3,VTU1,VWA2,VW12,VX,VXD,VXD1,VXE4,VXE7,VXM,VXU,VXU1,VXW2,VX2,VX4,WDA6,WJP,WKD6,WKT2,WKT4,WKT6,WME2
			-	(1)		
38	95001-45300-40	TUBE, FUEL, 4.5X300 (95001-45001-60M)	1	-	-----	QCL
39	95002-02080	CLIP, TUBE (B8)	2	-	-----	QCL
40	99101-ZH8-0620	JET, MAIN, #62	(1)	-	-----	QSC2,QSC9,QXC,QXC6,QXC9,SKM,TXC9
	99101-ZH8-0650	JET, MAIN, #65	(1)	-	-----	BL,HG12,HH,HHQ4,HH26,HX,HXE2,HXE8,HXU,HX2,HX26,HX4,KTA,LA1,LH,LHB3,LHQ4,LJ,LJC7,LJG,LJS,LVL,LX,LXU,LX2,LX26,LX4,NJ,NJG,NSJ,PHM,PX,PXU,QAB3,QAX2,QA2,QA26,QBC2,QBT6,QCB2,QCL,QGR2,QGR9,QH,QHE,QHP1,QHQ4,QH2,QH26,QI2,QKA4,QMC8,QMD6,QME4,QMH,QMX2,QMZ2,QNT,QP,QPU,QSC2,QSC9,QS2,QT,QVL,QWA4,QWX2,QX,QXC,QXC6,QXC9,QXE,QXE2,QXE4,QXE6,QXE8,QXF2,QXM1,QXS2,QXU,QXW,QX2,QX22,QX26,QX4,QX7,RH,RHA2,RHQ4,RH2,RH26,RMB4,RMD,RMG2,RSK,RSS1,RTB2,RX,RXE,RXE2,RXE4,RXU,RX4,SCJ,SG24,SH,SHM,SHQ4,SHRY,SJ,SJC1,SJC5,SJG,SKM,SMC7,SMC9,SMJ,SMJ1,SMW2,SMX4,SM11,SM12,SM14,SNX,SNX1,SSK1,SSX2,ST,STM,STQ,SWG4,SWX2,SWX4,SX,SXE,SXE4,SXS4,SXU,SX4,SX7,S1CY,TCS2,TX,TXC9,TXU,TX2,TX26,TX4,UXU,VA2,VED,VED1,VED5,VED6,VGE4,VHA7,VHH4,VMS4,VMS7,VSD,VSD7,VSX,VSX1,VSX3,VTU1,VWA2,VW12,VX,VXD,VXD1,VXE4,VXE7,VXM,VXU,VXU1,VXW2,VX2,VX4,WDA6,WJP,WKD6,WKT2,WKT4,WKT6,WME2
			-	(1)		
	99101-ZH8-0680	JET, MAIN, #68	1	-	-----	QSC2,QSC9,QXC,QXC6,QXC9,SKM,TXC9
			(1)	-	-----	BL,HG12,HH,HHQ4,HH26,HX,HXE2,HXE8,HXU,HX2,HX26,HX4,KTA,LA1,LH,LHB3,LHQ4,LJ,LJC7,LJG,LJS,LVL,LX,LXU,LX2,LX26,LX4,NJ,NJG,NSJ,PHM,PX,PXU,QAB3,QAX2,QA2,QA26,QBC2,QBT6,QCB2,QCL,QGR2,QGR9,QH,QHE,QHP1,QHQ4,QH2,QH26,QI2,QKA4,QMC8,QMD6,QME4,QMH,QMX2,QMZ2,QNT,QP,QPU,QS2,QT,QVL,QWA4,QWX2,QX,QXE,QXE2,QXE4,QXE6,QXE8,QXF2,QXM1,QXS2,QXU,QXW,QX2,QX22,QX26,QX4,QX7,RH,RHA2,RHQ4,RH2,RH26,RMB4,RMD,RMG2,RSK,RSS1,RTB2,RX,RXE,RXE2,RXE4,RXU,RX4,SCJ,SG24,SH,SHM,SHQ4,SHRY,SJ,SJC1,SJC5,SJG,SMC7,SMC9,SMJ,SMJ1,SMW2,SMX4,SM11,SM12,SM14,SNX,SNX1,SSK1,SSX2,ST,STM,STQ,SWG4,SWX2,SWX4,SX,SXE,SXE4,SXS4,SXU,SX4,SX7,S1CY,TCS2,TX,TXU,TX2,TX26,TX4,UXU,VA2,VED,VED1,VED5,VED6,VGE4,VHA7,VHH4,VMS4,VMS7,VSD,VSD7,VSX,VSX1,VSX3,VTU1,VWA2,VW12,VX,VXD,VXD1,VXE4,VXE7,VXM,VXU,VXU1,VXW2,VX2,VX4,WDA6,WJP,WKD6,WKT2,WKT4,WKT6,WME2
			-	(1)		





Z2F0-E1402

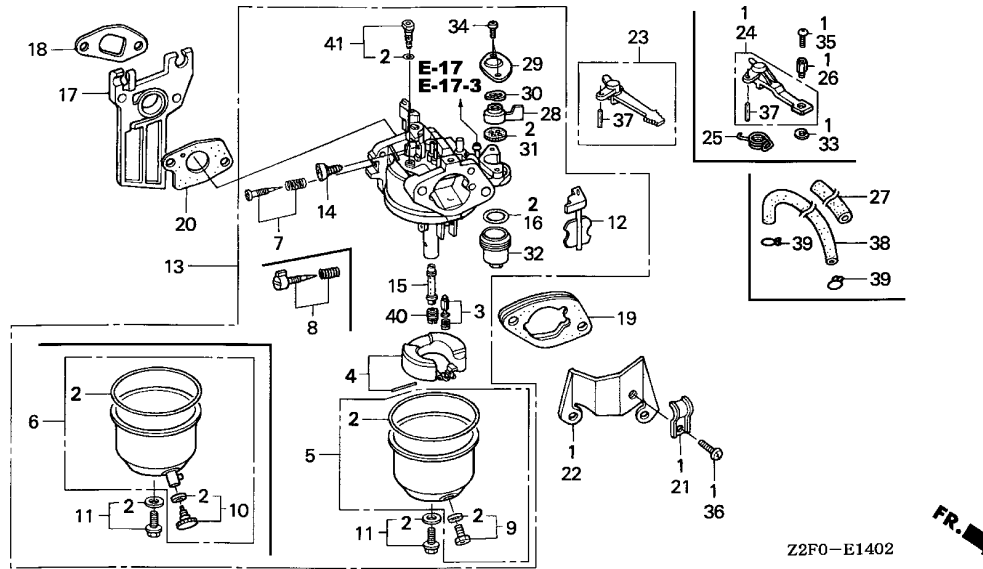


Ref. No.	Part No.	Description	Reqd. QTY		Serial No.	Parts catalogue code
			GX 160K1 (1)	GX 160K1 (2)		
40)	99101-ZH8-0700	JET, MAIN, #70	1	-	-----	BL, HG12, HH, HHQ4, HH26, HX, HXE2, HXE8, HXU, HX2, HX26, HX4, KTA, LA1, LH, LHB3, LHQ4, LJ, LJC7, LJG, LJS, LVL, LX, LXU, LX2, LX26, LX4, NJ, NJG, NSJ, PHM, PX, PXU, QAB3, QAX2, QA2, QA26, QBC2, QBT6, QCB2, QCL, QGR2, QGR9, QH, QHE, QHP1, QHQ4, QH2, QH26, QI2, QKA4, QMC8, QMD6, QME4, QMH, QMX2, QM22, QNT, QP, QPU, QS2, QT, QVL, QWA4, QWX2, QX, QXE, QXE2, QXE4, QXE6, QXE8, QXF2, QXM1, QXS2, QXU, QXW, QX2, QX22, QX26, QX4, QX7, RH, RHA2, RHQ4, RH2, RH26, RMB4, RMD, RMG2, RSK, RSS1, RTB2, RX, RXE, RXE2, RXE4, RXU, RX4, SCJ, SG24, SH, SHM, SHQ4, SHRY, SJ, SJC1, SJC5, SJG, SMC7, SMC9, SMJ, SMJ1, SMW2, SMX4, SM11, SM12, SM14, SNX, SNX1, SSK1, SSS2, STQ, SWG4, SWX2, SWX4, SX, SXE, SXE4, SXS4, SXU, SX4, SX7, S1CY, TCS2, TX, TXU, TX2, TX26, TX4, UXU, VA2, VED, VED1, VED5, VED6, VGE4, VHA7, VHH4, VMS4, VMS7, VSD, VSD7, VSX, VSX1, VSX3, VTU1, VWA2, VW12, VX, VXD, VXD1, VXE4, VXE7, VXM, VXU, VXU1, VXXW2, VX2, VX4, WDA6, WJP, WKD6, WKT2, WKT4, WKT6, WME2
			(1)	-	-----	ST, STM
			-	(1)	-----	
	99101-ZH8-0720	JET, MAIN, #72	1	-	-----	ST, STM

E-14-2

CARBURETOR(3)

H12



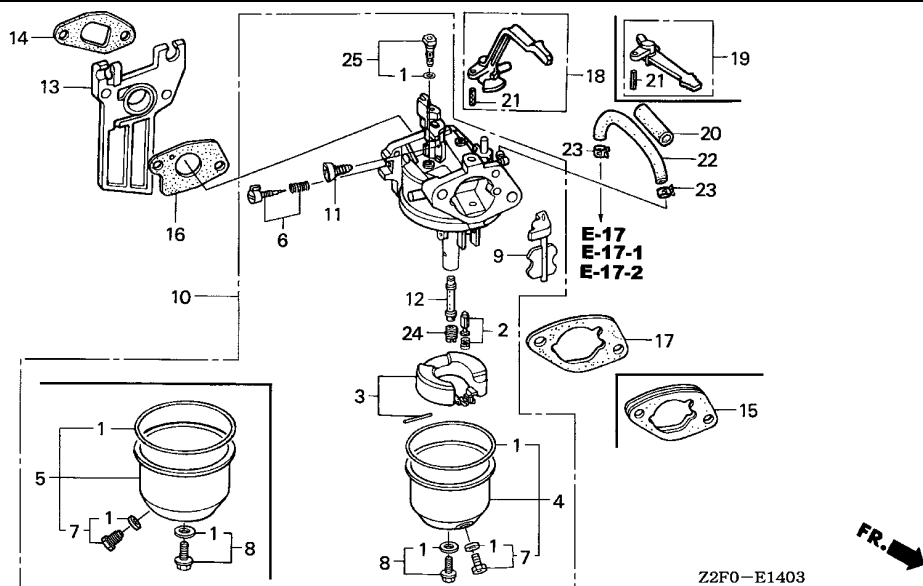
2

Ref. No.	Part No.	Description	Reqd. QTY		Serial No.	Parts catalogue code
			GX 160K1 (1)	GX 160K1 (2)		
41	99204-ZE0-0350	JET SET, PILOT, #35	1	-	-----	BL, HG12, HH, HHQ4, HH26, HX, HXE2, HXE8, HXU, HX2, HX26, HX4, KTA, LA1, LH, LHB3, LHQ4, LJ, LJC7, LJG, LJS, LVL, LX, LXU, LX2, LX26, LX4, NJ, NJG, NSJ, PHM, PX, PXU, QAB3, QAX2, QA2, QA26, QBC2, QBT6, QCB2, QCL, QGR2, QGR9, QH, QHE, QHP1, QHQ4, QH2, QH26, QI2, QKA4, QMC8, QMD6, QME4, QMH, QMX2, QM22, QNT, QP, QPU, QS2, QT, QVL, QWA4, QWX2, QX, QXE, QXE2, QXE4, QXE6, QXE8, QXF2, QXM1, QXS2, QXU, QXW, QX2, QX22, QX26, QX4, QX7, RH, RHA2, RHQ4, RH2, RH26, RMB4, RMD, RMG2, RSK, RSS1, RTB2, RX, RXE, RXE2, RXE4, RXU, RX4, SCJ, SG24, SH, SHM, SHQ4, SHRY, SJ, SJC1, SJC5, SJG, SKM, SMC7, SMC9, SMJ, SMJ1, SMW2, SMX4, SM11, SM12, SM14, SNX, SNX1, SSK1, SSK2, STQ, SWG4, SWX2, SWX4, SX, SXE, SXE4, SXS4, SXU, SX4, SX7, S1CY, TCS2, TX, TXU, TX2, TX26, TX4, UXU, VA2, VED, VED1, VED5, VED6, VGE4, VHA7, VHH4, VMS4, VMS7, VSD, VSD7, VSX, VSX1, VSX3, VTU1, VWA2, VW12, VX, VXD, VXD1, VXE4, VXE7, VXM, VXU, VXU1, VXW2, VX2, VX4, WDA6, WJP, WKD6, WKT2, WKT4, WKT6, WME2
			-	(1)		
	99204-ZE0-0380	JET SET, PILOT, #38	1	-	-----	ST, STM
	99204-ZE0-0400	JET SET, PILOT, #40	1	-	-----	QSC2, QSC9, QXC, QXC6, QXC9, TXC9

E-14-3

CARBURETOR(4)

H13



Service item	F.R.T.
CARBURETOR ASSY.	0.2
.INSULATOR, CARBURETOR	
.LEVER COMP., CHOKE	
.PACKING, CARBURETOR	
.PACKING, INSULATOR	
.SCREW SET, PILOT	
.TUBE, FUEL, 4.5X400	
FLOAT SET	0.3
.GASKET SET	
.JET, MAIN,	
.VALVE SET, FLOAT	

2

Ref. No.	Part No.	Description	Reqd. QTY		Serial No.	Parts catalogue code
			GX 160K1 (1)	GX 160K1 (2)		
1	16010-ZB1-015	GASKET SET	1	-	-----	AR,ARC6,EMA2,KR,VED2,VED3,VEN2,VES,VMT,VPM4,VPM5,VPM7,VPR4,VPR7,VS1 VSD1,VSG,VS17,VS3,VS4,VTH4
2	16011-ZE0-005	VALVE SET, FLOAT	1	-	-----	AR,ARC6,EMA2,KR,VED2,VED3,VEN2,VES,VMT,VPM4,VPM5,VPM7,VPR4,VPR7,VS1 VSD1,VSG,VS17,VS3,VS4,VTH4
3	16013-ZE0-005	FLOAT SET	1	-	-----	AR,ARC6,EMA2,KR,VED2,VED3,VEN2,VES,VMT,VPM4,VPM5,VPM7,VPR4,VPR7,VS1 VSD1,VSG,VS17,VS3,VS4,VTH4
4	16015-ZE0-831	CHAMBER SET, FLOAT	1	-	-----	EMA2,VED2,VED3,VEN2,VES,VMT,VPM4,VPM5,VPM7,VPR4,VPR7,VS1,VSD1,VSG VS17,VS3,VS4,VTH4
5	16015-ZE1-811	CHAMBER SET, FLOAT	1	-	-----	AR,ARC6,KR
6	16016-ZH7-W01	SCREW SET, PILOT	1	-	-----	AR,ARC6,EMA2,KR,VED2,VED3,VEN2,VES,VMT,VPM4,VPM5,VPM7,VPR4,VPR7,VS1 VSD1,VSG,VS17,VS3,VS4,VTH4
7	16024-ZE1-811	SCREW SET, DRAIN	1	-	-----	AR,ARC6,EMA2,KR,VED2,VED3,VEN2,VES,VMT,VPM4,VPM5,VPM7,VPR4,VPR7,VS1 VSD1,VSG,VS17,VS3,VS4,VTH4
8	16028-ZE0-005	SCREW SET	1	-	-----	AR,ARC6,EMA2,KR,VED2,VED3,VEN2,VES,VMT,VPM4,VPM5,VPM7,VPR4,VPR7,VS1 VSD1,VSG,VS17,VS3,VS4,VTH4
9	16044-ZE0-005	CHOKE SET	1	-	-----	EMA2,VED2,VED3,VEN2,VES,VMT,VPM4,VPM5,VPM7,VPR4,VPR7,VS1,VSD1,VSG VS17,VS3,VS4,VTH4
	16044-ZK8-V00	1	-	-----	AR,ARC6,KR
10	16100-ZH8-E81	CARBURETOR ASSY. (BE67A B) ..	1	-	-----	EMA2,VED2,VED3,VEN2,VES,VMT,VPM4,VPM5,VPM7,VPR4,VPR7,VS1,VSD1,VSG VS17,VS3,VS4,VTH4
	16100-ZK8-T51	CARBURETOR ASSY. (BE67C A) ..	1	-	-----	AR,ARC6,KR
11	16124-ZE0-005	SCREW, THROTTLE STOP	1	-	-----	AR,ARC6,EMA2,KR,VED2,VED3,VEN2,VES,VMT,VPM4,VPM5,VPM7,VPR4,VPR7,VS1 VSD1,VSG,VS17,VS3,VS4,VTH4
12	16166-ZH8-E80	NOZZLE, MAIN	1	-	-----	EMA2,VED2,VED3,VEN2,VES,VMT,VPM4,VPM5,VPM7,VPR4,VPR7,VS1,VSD1,VSG VS17,VS3,VS4,VTH4
	16166-ZK8-V01	1	-	-----	AR,ARC6,KR

E-14-3

CARBURETOR(4)

H14

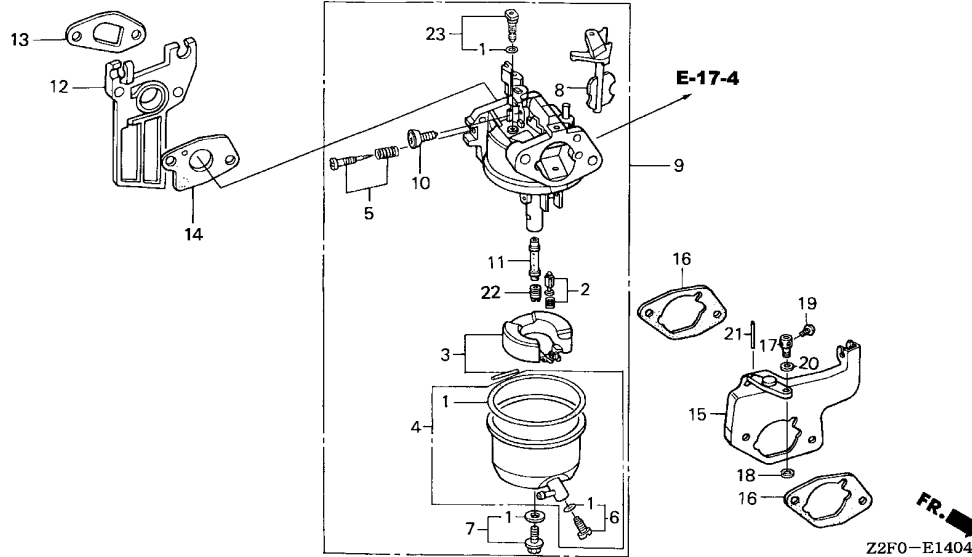
Ref. No.	Part No.	Description	Reqd. QTY		Serial No.	Parts catalogue code
			GX 160K1 (1)	GX 160K1 (2)		
13	16211-ZE1-000	INSULATOR, CARBURETOR	1	-	-----	AR,ARC6,EMA2,KR,VED2,VED3,VEN2,VES,VMT,VPM4,VPM5,VPM7,VPR4,VPR7,VS1 VSD1,VSG,VS17,VS3,VS4,VTH4
14	16212-ZH8-800	PACKING, INSULATOR	1	-	-----	AR,ARC6,EMA2,KR,VED2,VED3,VEN2,VES,VMT,VPM4,VPM5,VPM7,VPR4,VPR7,VS1 VSD1,VSG,VS17,VS3,VS4,VTH4
15	16220-ZE1-020	SPACER COMP., CARBURETOR	1	-	-----	AR,ARC6,KR
16	16221-ZH8-801	PACKING, CARBURETOR	1	-	-----	AR,ARC6,EMA2,KR,VED2,VED3,VEN2,VES,VMT,VPM4,VPM5,VPM7,VPR4,VPR7,VS1 VSD1,VSG,VS17,VS3,VS4,VTH4
17	16269-ZE1-800	PACKING, AIR CLEANER	1	-	-----	EMA2,VED2,VED3,VEN2,VES,VMT,VPM4,VPM5,VPM7,VPR4,VPR7,VS1,VSD1,VSG VS17,VS3,VS4,VTH4
18	16610-ZB2-000	LEVER COMP., CHOKE	1	-	-----	EMA2,VED2,VED3,VEN2,VES,VMT,VPM4,VPM5,VPM7,VPR4,VPR7,VS1,VSD1,VSG VS17,VS3,VS4
19	16610-ZE1-000	LEVER COMP., CHOKE (STD.) ...	1	-	-----	AR,ARC6,KR
20	16854-ZH8-000	RUBBER, SUPPORTER (107MM) ...	1	-	-----	AR,ARC6,KR
21	94305-20122	PIN, SPRING, 2X12	1	-	-----	AR,ARC6,EMA2,KR,VED2,VED3,VEN2,VES,VMT,VPM4,VPM5,VPM7,VPR4,VPR7,VS1 VSD1,VSG,VS17,VS3,VS4,VTH4
22	95001-45400-60	TUBE, FUEL, 4.5X400 (95001-45001-60M)	1	-	-----	AR,ARC6,KR,VTH4
23	95002-40800-08	CLAMP, TUBE (D8)	2	-	-----	AR,ARC6,KR,VTH4
24	99101-ZH8-0620	JET, MAIN, #62	(1)	-	-----	AR,ARC6,KR
	99101-ZH8-0650	JET, MAIN, #65	(1)	-	-----	AR,ARC6,KR
	99101-ZH8-0680	JET, MAIN, #68	1	-	-----	AR,ARC6,KR
	99101-ZH8-0700	JET, MAIN, #70	(1)	-	-----	EMA2,VED2,VED3,VEN2,VES,VMT,VPM4,VPM5,VPM7,VPR4,VPR7,VS1,VSD1,VSG VS17,VS3,VS4,VTH4
	99101-ZH8-0720	JET, MAIN, #72	(1)	-	-----	EMA2,VED2,VED3,VEN2,VES,VMT,VPM4,VPM5,VPM7,VPR4,VPR7,VS1,VSD1,VSG VS17,VS3,VS4,VTH4
	99101-ZH8-0750	JET, MAIN, #75	1	-	-----	EMA2,VED2,VED3,VEN2,VES,VMT,VPM4,VPM5,VPM7,VPR4,VPR7,VS1,VSD1,VSG VS17,VS3,VS4,VTH4
25	99204-ZE0-0350	JET SET, PILOT, #35	1	-	-----	EMA2,VED2,VED3,VEN2,VES,VMT,VPM4,VPM5,VPM7,VPR4,VPR7,VS1,VSD1,VSG VS17,VS3,VS4,VTH4
	99204-ZE2-0380	JET SET, PILOT, #38	1	-	-----	AR,ARC6,KR

2

E-14-4

CARBURETOR(5)

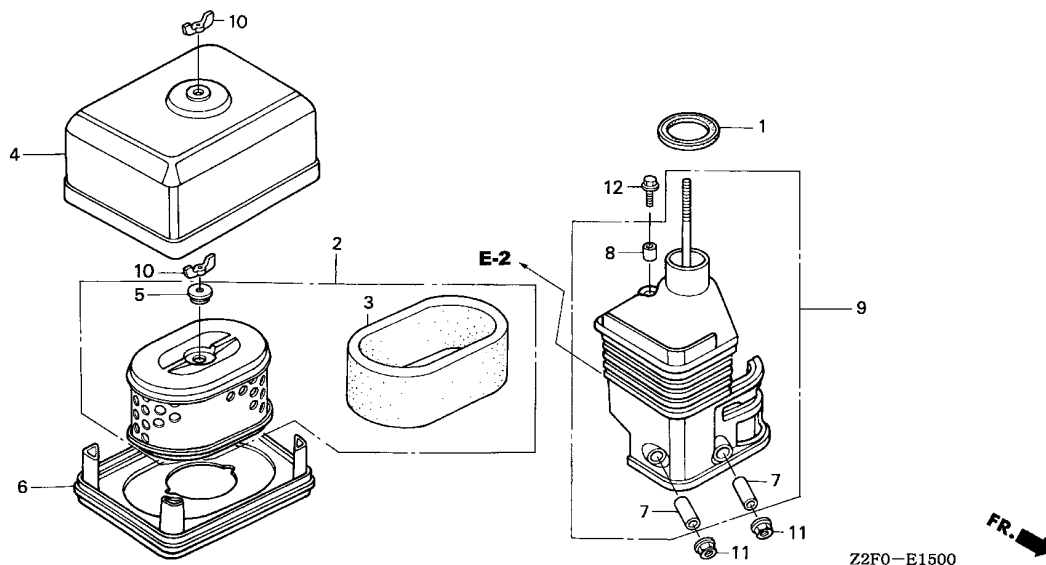
H15



Service item	F.R.T.
CARBURETOR ASSY.	0.2
.GASKET SET	
.INSULATOR, CARBURETOR	
.PACKING, AIR CLEANER	
.PACKING, CARBURETOR	
.PACKING, INSULATOR	
.SCREW SET, PILOT	
.STAY COMP., CHOKE	
FLOAT SET	0.3
.JET, MAIN,	
.VALVE SET, FLOAT	

2

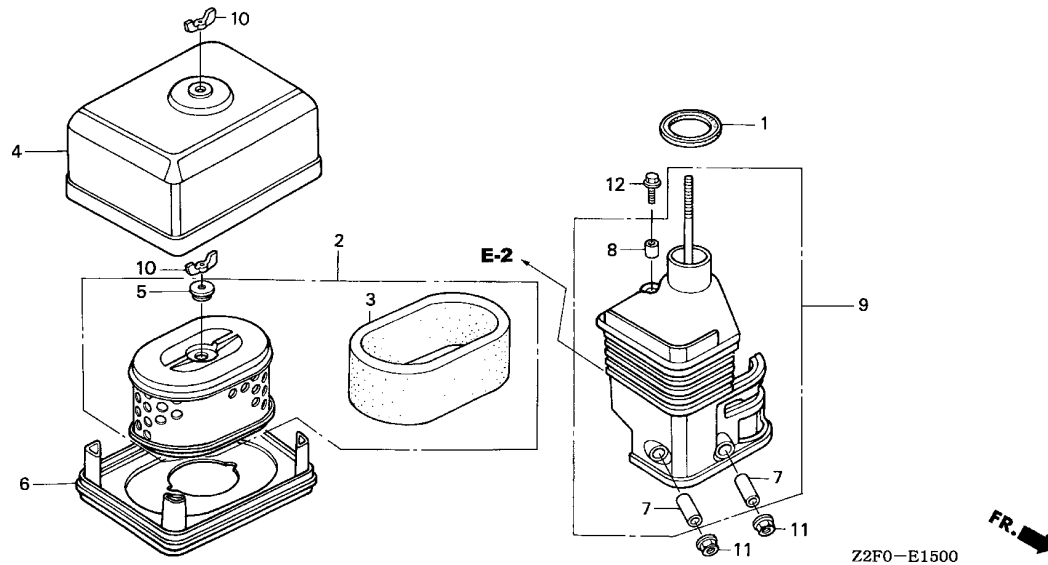
Ref. No.	Part No.	Description	Reqd. QTY		Serial No.	Parts catalogue code
			GX 160K1 (1)	GX 160K1 (2)		
1	16010-ZB9-005	GASKET SET	1	-	-----	NJC1
2	16011-ZE0-005	VALVE SET, FLOAT	1	-	-----	NJC1
3	16013-ZE0-005	FLOAT SET	1	-	-----	NJC1
4	16015-ZB9-005	CHAMBER SET, FLOAT	1	-	-----	NJC1
5	16016-ZE0-005	SCREW SET, PILOT	1	-	-----	NJC1
6	16024-ZB9-005	SCREW SET, DRAIN	1	-	-----	NJC1
7	16028-ZE0-005	SCREW SET	1	-	-----	NJC1
8	16044-ZE7-005	CHOKE SET	1	-	-----	NJC1
9	16100-ZH8-D62	CARBURETOR ASSY. (BE51B B) ..	1	-	-----	NJC1
10	16124-ZE0-005	SCREW, THROTTLE STOP	1	-	-----	NJC1
11	16166-ZH8-D60	NOZZLE, MAIN	1	-	-----	NJC1
12	16211-ZE1-000	INSULATOR, CARBURETOR	1	-	-----	NJC1
13	16212-ZH8-800	PACKING, INSULATOR	1	-	-----	NJC1
14	16221-ZH8-801	PACKING, CARBURETOR	1	-	-----	NJC1
15	16260-ZB6-000	STAY COMP., CHOKE	1	-	-----	NJC1
16	16269-ZE1-800	PACKING, AIR CLEANER	2	-	-----	NJC1
17	16617-890-010	HOLDER, CABLE	1	-	-----	NJC1
18	90605-230-000	CIRCLIP, 5MM	1	-	-----	NJC1
19	93500-04008-0A	SCREW, PAN, 4X8	1	-	-----	NJC1
20	94101-06800	WASHER, PLAIN, 6MM	1	-	-----	NJC1
21	94305-20182	PIN, SPRING, 2X18	1	-	-----	NJC1
22	99101-ZF5-0650	JET, MAIN, #65	(1)	-	-----	NJC1
	99101-ZF5-0680	JET, MAIN, #68	(1)	-	-----	NJC1
	99101-ZF5-0700	JET, MAIN, #70	1	-	-----	NJC1
23	99204-ZE0-0350	JET SET, PILOT, #35	1	-	-----	NJC1



Service item	F.R.T.
ELBOW COMP., AIR CLEANER	0.1
ELEMENT, AIR CLEANER	
FILTER, OUTER	
NOSE, SILENCER	

Ref. No.	Part No.	Description	Reqd. QTY		Serial No.	Parts catalogue code
			GX 160K1 (1)	GX 160K1 (2)		
1	16271-ZE1-000	PACKING, ELBOW	1	-		HG12,HH,HHQ4,HH26,HX,HXE2,HXE8,HXU,HX2,HX26,HX4,KTA,LA1,LH,LHB3,LHQ4,LJS,LX,LXU,LX2,LX26,LX4,PHM,PX,PXU,QAX2,QBC2,QBT6,QCB2,QCL,QE,QFE4,QGR2,QGR9,QH,QHE,QHP1,QHQ4,QH2,QH26,QI2,QKA4,QMC8,QMD6,QMH,QMX2,QMZ2,QNT,QP,QPU,QS2,QWA4,QWX2,QX,QXE,QXE2,QXE4,QXE6,QXE8,QXF2,QXM1,QXS2,QXU,QXW,QX2,QX22,QX26,QX4,QX7,RH,RHA2,RHQ4,RH2,RH26,RMG2,RSK,RTB2,RX,RXE,RXE2,RXE4,RXU,RX4,SE,SG24,SH,SHM,SHQ4,SKM,SMC7,SMC9,SMJ,SMJ1,SMW2,SMX4,SM11,SM12,SM14,SNX,SNX1,SSK1,SSX2,STQ,SWG4,SWX2,SWX4,SX,SXE,SXE4,SXS4,SXU,SX4,SX7,S1CY,TCS2,TX,TXU,TX2,TX26,TX4,UXU,VA2,VEBM,VGE4,VG24,VHA7,VHH4,VMS4,VMS7,VSD,VSD7,VSX,VSX1,VSX3,VTU1,VWA2,VW12,VX,VXE4,VXE7,VXM,VXU,VXU1,VXW2,VX2,VX4,WDA6
2	17210-ZE1-822	ELEMENT, AIR CLEANER (DUAL)	1	(1)		HG12,HH,HHQ4,HH26,HX,HXE2,HXE8,HXU,HX2,HX26,HX4,KTA,LA1,LH,LHB3,LHQ4,LJS,LX,LXU,LX2,LX26,LX4,PHM,PX,PXU,QAX2,QBC2,QBT6,QCB2,QCL,QE,QFE4,QGR2,QGR9,QH,QHE,QHP1,QHQ4,QH2,QH26,QI2,QKA4,QMC8,QMD6,QMH,QMX2,QMZ2,QNT,QP,QPU,QS2,QWA4,QWX2,QX,QXE,QXE2,QXE4,QXE6,QXE8,QXF2,QXM1,QXS2,QXU,QXW,QX2,QX22,QX26,QX4,QX7,RH,RHA2,RHQ4,RH2,RH26,RMG2,RSK,RTB2,RX,RXE,RXE2,RXE4,RXU,RX4,SE,SG24,SH,SHM,SHQ4,SKM,SMC7,SMC9,SMJ,SMJ1,SMW2,SMX4,SM11,SM12,SM14,SNX,SNX1,SSK1,SSX2,STQ,SWG4,SWX2,SWX4,SX,SXE,SXE4,SXS4,SXU,SX4,SX7,S1CY,TCS2,TX,TXU,TX2,TX26,TX4,UXU,VA2,VEBM,VGE4,VG24,VHA7,VHH4,VMS4,VMS7,VSD,VSD7,VSX,VSX1,VSX3,VTU1,VWA2,VW12,VX,VXE4,VXE7,VXM,VXU,VXU1,VXW2,VX2,VX4,WDA6



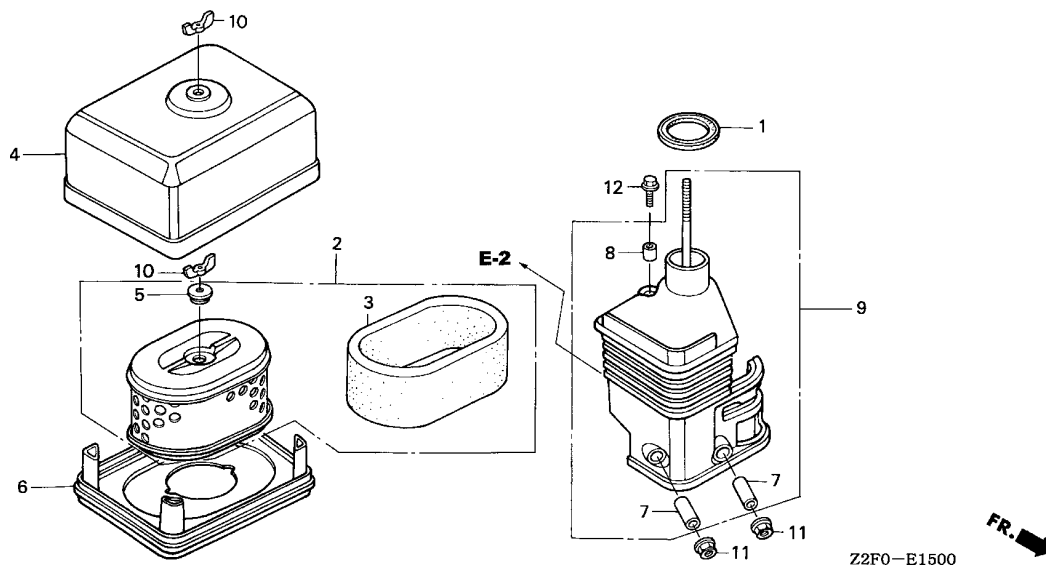


2

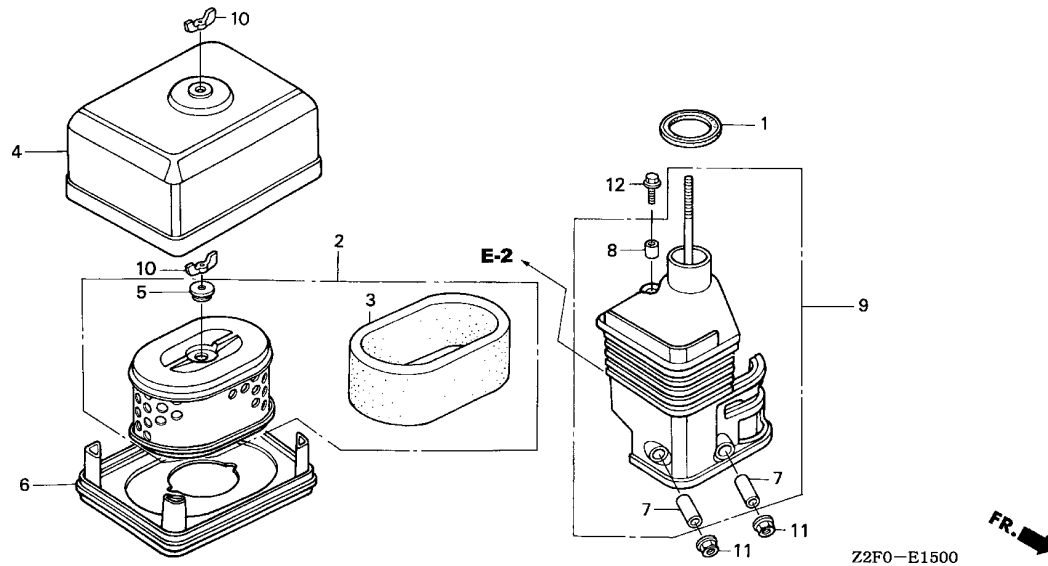
Ref. No.	Part No.	Description	Reqd. QTY		Serial No.	Parts catalogue code
			GX 160K1 (1)	GX 160K1 (2)		
3	17218-ZE1-821	FILTER, OUTER	1	-	-----	HG12,HH,HHQ4,HH26,HX,HXE2,HXE8,HXU,HX2,HX26,HX4,KTA,LA1,LH,LHB3,LHQ4,LJS,LX,LXU,LX2,LX26,LX4,PHM,PX,PXU,QAX2,QBC2,QBT6,QCB2,QCL,QE,QFE4,QGR2,QGR9,QH,QHE,QHP1,QHQ4,QH2,QH26,QI2,QKA4,QMC8,QMD6,QMH,QMX2,QMZ2,QNT,QP,QPU,QS2,QWA4,QWX2,QX,QXE,QXE2,QXE4,QXE6,QXE8,QXF2,QXM1,QXS2,QXU,QXW,QX2,QX22,QX26,QX4,QX7,RH,RHA2,RHQ4,RH2,RH26,RMG2,RSK,RTB2,RX,RXE,RXE2,RXE4,RXU,RX4,SE,SG24,SH,SHM,SHQ4,SKM,SMC7,SMC9,SMJ,SMJ1,SMW2,SMX4,SM11,SM12,SM14,SNX,SNX1,SSK1,SSX2,STQ,SWG4,SWX2,SWX4,SX,SXE,SXE4,SXS4,SXU,SX4,SX7,S1CY,TCS2,TX,TXU,TX2,TX26,TX4,UXU,VA2,VEBM,VGE4,VG24,VHA7,VHH4,VMS4,VMS7,VSD,VSD7,VSX,VSX1,VSX3,VTU1,VWA2,VW12,VX,VXE4,VXE7,VXM,VXU,VXU1,VXW2,VX2,VX4,WDA6
4	17230-ZE1-820	COVER, AIR CLEANER (DUAL)	-	(1)	-----	HG12,HH,HHQ4,HH26,HX,HXE2,HXE8,HXU,HX2,HX26,HX4,KTA,LA1,LH,LHB3,LHQ4,LJS,LX,LXU,LX2,LX26,LX4,PHM,PX,PXU,QAX2,QBC2,QBT6,QCB2,QCL,QE,QFE4,QGR2,QGR9,QH,QHE,QHP1,QHQ4,QH2,QH26,QI2,QKA4,QMC8,QMD6,QMH,QMX2,QMZ2,QNT,QP,QPU,QS2,QWA4,QWX2,QX,QXE,QXE2,QXE4,QXE6,QXE8,QXF2,QXM1,QXS2,QXU,QXW,QX2,QX22,QX26,QX4,QX7,RH,RHA2,RHQ4,RH2,RH26,RMG2,RSK,RTB2,RX,RXE,RXE2,RXE4,RXU,RX4,SE,SG24,SH,SHM,SHQ4,SKM,SMC7,SMC9,SMJ,SMJ1,SMW2,SMX4,SM11,SM12,SM14,SNX,SNX1,SSK1,SSX2,STQ,SWG4,SWX2,SWX4,SX,SXE,SXE4,SXS4,SXU,SX4,SX7,S1CY,TCS2,TX,TXU,TX2,TX26,TX4,UXU,VA2,VEBM,VGE4,VG24,VHA7,VHH4,VMS4,VMS7,VSD,VSD7,VSX,VSX1,VSX3,VTU1,VWA2,VW12,VX,VXE4,VXE7,VXM,VXU,VXU1,VXW2,VX2,VX4,WDA6

Ref. No.	Part No.	Description	Reqd. QTY		Serial No.	Parts catalogue code
			GX 160K1 (1)	GX 160K1 (2)		
5	17232-891-000	GROMMET, AIR CLEANER	1	-	-----	HG12,HH,HHQ4,HH26,HX,HXE2,HXE8,HXU,HX2,HX26,HX4,KTA,LA1,LH,LHB3,LHQ4,LJS,LX,LXU,LX2,LX26,LX4,PHM,PX,PXU,QAX2,QBC2,QBT6,QCB2,QCL,QE,QFE4,QGR2,QGR9,QH,QHE,QHP1,QHQ4,QH2,QH26,QI2,QKA4,QMC8,QMD6,QMH,QMX2,QMZ2,QNT,QP,QPU,QS2,QWA4,QWX2,QX,QXE,QXE2,QXE4,QXE6,QXE8,QXF2,QXM1,QXS2,QXU,QXW,QX2,QX22,QX26,QX4,QX7,RH,RHA2,RHQ4,RH2,RH26,RMG2,RSK,RTB2,RX,RXE,RXE2,RXE4,RXU,RX4,SE,SG24,SH,SHM,SHQ4,SKM,SMC7,SMC9,SMJ,SMJ1,SMW2,SMX4,SM11,SM12,SM14,SNX,SNX1,SSK1,SSX2,STQ,SWG4,SWX2,SWX4,SX,SXE,SXE4,SXS4,SXU,SX4,SX7,S1CY,TCS2,TX,TXU,TX2,TX26,TX4,UXU,VA2,VEBM,VEG4,VG24,VHA7,VHH4,VMS4,VMS7,VSD,VSD7,VSX,VSX1,VSX3,VTU1,VWA2,VW12,VX,VXE4,VXE7,VXM,VXU,VXU1,VXW2,VX2,VX4,WDA6
			-	(1)		
6	17235-ZE1-831	NOSE, SILENCER	1	-	-----	KTA,LA1,QBC2,QE,QFE4,QMC8,QMD6,QMX2,QMZ2,QNT,QWA4,QX7,SE,SG24,SKM,SMC7,SMC9,SM11,SM12,SSK1,SSX2,STQ,SWG4,SX7,S1CY,VEBM,VG24,VHA7,VMS4,VMS7,VSD7,VXE7
			-	(1)		
7	17238-ZE7-010	COLLAR, AIR CLEANER	2	-	-----	HG12,HH,HHQ4,HH26,HX,HXE2,HXE8,HXU,HX2,HX26,HX4,KTA,LA1,LH,LHB3,LHQ4,LJS,LX,LXU,LX2,LX26,LX4,PHM,PX,PXU,QAX2,QBC2,QBT6,QCB2,QCL,QE,QFE4,QGR2,QGR9,QH,QHE,QHP1,QHQ4,QH2,QH26,QI2,QKA4,QMC8,QMD6,QMH,QMX2,QMZ2,QNT,QP,QPU,QS2,QWA4,QWX2,QX,QXE,QXE2,QXE4,QXE6,QXE8,QXF2,QXM1,QXS2,QXU,QXW,QX2,QX22,QX26,QX4,QX7,RH,RHA2,RHQ4,RH2,RH26,RMG2,RSK,RTB2,RX,RXE,RXE2,RXE4,RXU,RX4,SE,SG24,SH,SHM,SHQ4,SKM,SMC7,SMC9,SMJ,SMJ1,SMW2,SMX4,SM11,SM12,SM14,SNX,SNX1,SSK1,SSX2,STQ,SWG4,SWX2,SWX4,SX,SXE,SXE4,SXS4,SXU,SX4,SX7,S1CY,TCS2,TX,TXU,TX2,TX26,TX4,UXU,VA2,VEBM,VEG4,VG24,VHA7,VHH4,VMS4,VMS7,VSD,VSD7,VSX,VSX1,VSX3,VTU1,VWA2,VW12,VX,VXE4,VXE7,VXM,VXU,VXU1,VXW2,VX2,VX4,WDA6
			-	(2)		
8	17239-ZE1-000	COLLAR B, AIR CLEANER	1	-	-----	HG12,HH,HHQ4,HH26,HX,HXE2,HXE8,HXU,HX2,HX26,HX4,KTA,LA1,LH,LHB3,LHQ4,LJS,LX,LXU,LX2,LX26,LX4,PHM,PX,PXU,QAX2,QBC2,QBT6,QCB2,QCL,QE,QFE4,QGR2,QGR9,QH,QHE,QHP1,QHQ4,QH2,QH26,QI2,QKA4,QMC8,QMD6,QMH,QMX2,QMZ2,QNT,QP,QPU,QS2,QWA4,QWX2,QX,QXE,QXE2,QXE4,QXE6,QXE8,QXF2,QXM1,QXS2,QXU,QXW,QX2,QX22,QX26,QX4,QX7,RH,RHA2,RHQ4,RH2,RH26,RMG2,RSK,RTB2,RX,RXE,RXE2,RXE4,RXU,RX4,SE,SG24,SH,SHM,SHQ4,SKM,SMC7,SMC9,SMJ,SMJ1,SMW2,SMX4,SM11,SM12,SM14,SNX,SNX1,SSK1,SSX2,STQ,SWG4,SWX2,SWX4,SX,SXE,SXE4,SXS4,SXU,SX4,SX7,S1CY,TCS2,TX,TXU,TX2,TX26,TX4,UXU,VA2,VEBM,VEG4,VHA7,VHH4,VMS4,VMS7,VSD,VSD7,VSX,VSX1,VSX3,VTU1,VWA2,VW12,VX,VXE4,VXE7,VXM,VXU,VXU1,VXW2,VX2,VX4,WDA6
			-	(1)		
9	17410-ZE1-020	ELBOW COMP., AIR CLEANER	1	-	-----	HG12,HH,HHQ4,HH26,HX,HXE2,HXE8,HXU,HX2,HX26,HX4,KTA,LA1,LH,LHB3,LHQ4,LJS,LX,LXU,LX2,LX26,LX4,PHM,PX,PXU,QAX2,QBC2,QBT6,QCB2,QCL,QE,QFE4,QGR2,QGR9,QH,QHE,QHP1,QHQ4,QH2,QH26,QI2,QKA4,QMC8,QMD6,QMH,QMX2,QMZ2,QNT,QP,QPU,QS2,QWA4,QWX2,QX,QXE,QXE2,QXE4,QXE6,QXE8,QXF2,QXM1,QXS2,QXU,QXW,QX2,QX22,QX26,QX4,QX7,RH,RHA2,RHQ4,RH2,RH26,RMG2,RSK,RTB2,RX,RXE,RXE2,RXE4,RXU,RX4,SE,SG24,SH,SHM,SHQ4,SKM,SMC7,SMC9,SMJ,SMJ1,SMW2,SMX4,SM11,SM12,SM14,SNX,SNX1,SSK1,SSX2,STQ,SWG4,SWX2,SWX4,SX,SXE,SXE4,SXS4,SXU,SX4,SX7,S1CY,TCS2,TX,TXU,TX2,TX26,TX4,UXU,VA2,VEBM,VEG4,VHA7,VHH4,VMS4,VMS7,VSD,VSD7,VSX,VSX1,VSX3,VTU1,VWA2,VW12,VX,VXE4,VXE7,VXM,VXU,VXU1,VXW2,VX2,VX4,WDA6
			-	(1)		





Ref. No.	Part No.	Description	Reqd. QTY		Serial No.	Parts catalogue code
			GX 160K1 (1)	GX 160K1 (2)		
10	90325-044-000	NUT, TOOL BOX SETTING	2	-	-----	HG12,HH,HHQ4,HH26,HX,HXE2,HXE8,HXU,HX2,HX26,HX4,KTA,LA1,LH,LHB3,LHQ4,LJS,LX,LXU,LX2,LX26,LX4,PHM,PX,PXU,QAX2,QBC2,QBT6,QCB2,QCL,QE,QFE4,QGR2,QGR9,QH,QHE,QHP1,QHQ4,QH2,QH26,QI2,QKA4,QMC8,QMD6,QMH,QMX2,QMZ2,QNT,QP,QPU,QS2,QWA4,QWX2,QX,QXE,QXE2,QXE4,QXE6,QXE8,QXF2,QXM1,QXS2,QXU,QXW,QX2,QX22,QX26,QX4,QX7,RH,RHA2,RHQ4,RH2,RH26,RMG2,RSK,RTB2,RX,RXE,RXE2,RXE4,RXU,RX4,SE,SG24,SH,SHM,SHQ4,SKM,SMC7,SMC9,SMJ,SMJ1,SMW2,SMX4,SM11,SM12,SM14,SNX,SNX1,SSK1,SSX2,STQ,SWG4,SWX2,SWX4,SX,SXE,SXE4,SXS4,SXU,SX4,SX7,S1CY,TCS2,TX,TXU,TX2,TX26,TX4,UXU,VA2,VEBM,VG24,VHA7,VHH4,VMS4,VMS7,VSD,VSD7,VSX,VSX1,VSX3,VTU1,VWA2,VW12,VX,VXE4,VXE7,VXM,VXU,VXU1,VXW2,VX2,VX4,WDA6
			-	(2)		
11	94050-06000	NUT, FLANGE, 6MM	2	-	-----	HG12,HH,HHQ4,HH26,HX,HXE2,HXE8,HXU,HX2,HX26,HX4,KTA,LA1,LH,LHB3,LHQ4,LJS,LX,LXU,LX2,LX26,LX4,PHM,PX,PXU,QAX2,QBC2,QBT6,QCB2,QCL,QE,QFE4,QGR2,QGR9,QH,QHE,QHP1,QHQ4,QH2,QH26,QI2,QKA4,QMC8,QMD6,QMH,QMX2,QMZ2,QNT,QP,QPU,QS2,QWA4,QWX2,QX,QXE,QXE2,QXE4,QXE6,QXE8,QXF2,QXM1,QXS2,QXU,QXW,QX2,QX22,QX26,QX4,QX7,RH,RHA2,RHQ4,RH2,RH26,RMG2,RSK,RTB2,RX,RXE,RXE2,RXE4,RXU,RX4,SE,SG24,SH,SHM,SHQ4,SKM,SMC7,SMC9,SMJ,SMJ1,SMW2,SMX4,SM11,SM12,SM14,SNX,SNX1,SSK1,SSX2,STQ,SWG4,SWX2,SWX4,SX,SXE,SXE4,SXS4,SXU,SX4,SX7,S1CY,TCS2,TX,TXU,TX2,TX26,TX4,UXU,VA2,VEBM,VGE4,VG24,VHA7,VHH4,VMS4,VMS7,VSD,VSD7,VSX,VSX1,VSX3,VTU1,VWA2,VW12,VX,VXE4,VXE7,VXM,VXU,VXU1,VXW2,VX2,VX4,WDA6
			-	2		



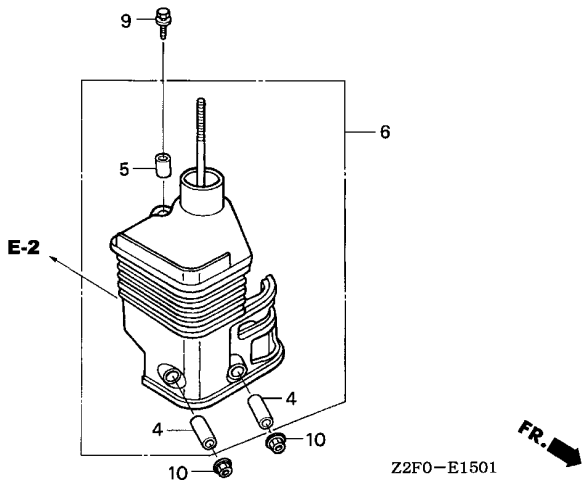
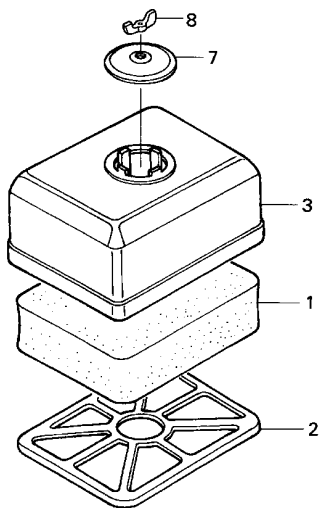
Ref. No.	Part No.	Description	Reqd. QTY		Serial No.	Parts catalogue code
			GX 160K1 (1)	GX 160K1 (2)		
12	95701-06020-00	BOLT, FLANGE, 6X20	1	-	-----	HG12,HH,HHQ4,HH26,HX,HXE2,HXE8,HXU,HX2,HX26,HX4,KTA,LA1,LH,LHB3,LHQ4,LJS,LX,LXU,LX2,LX26,LX4,PHM,PX,PXU,QAX2,QBC2,QBT6,QCB2,QCL,QE,QFE4,QGR2,QGR9,QH,QHE,QHP1,QHQ4,QH2,QH26,QI2,QKA4,QMC8,QMD6,QMH,QMX2,QMZ2,QNT,QP,QPU,QS2,QWA4,QWX2,QX,QXE,QXE2,QXE4,QXE6,QXE8,QXF2,QXM1,QXS2,QXU,QXW,QX2,QX22,QX26,QX4,QX7,RH,RHA2,RHQ4,RH2,RH26,RMG2,RSK,RTB2,RX,RXE,RXE2,RXE4,RXU,RX4,SE,SG24,SH,SHM,SHQ4,SKM,SMC7,SMC9,SMJ,SMJ1,SMW2,SMX4,SM11,SM12,SM14,SNX,SNX1,SSK1,SSX2,STQ,SWG4,SWX2,SWX4,SX,SXE,SXE4,SXS4,SXU,SX4,SX7,S1CY,TCS2,TX,TXU,TX2,TX26,TX4,UXU,VA2,VEBM,VG24,VHA7,VHH4,VMS4,VMS7,VSD,VSD7,VSX,VSX1,VSX3,VTU1,VWA2,VW12,VX,VXE4,VXE7,VXM,VXU,VXU1,VXW2,VX2,VX4,WDA6
			-	1		



E-15-1

AIR CLEANER(2)

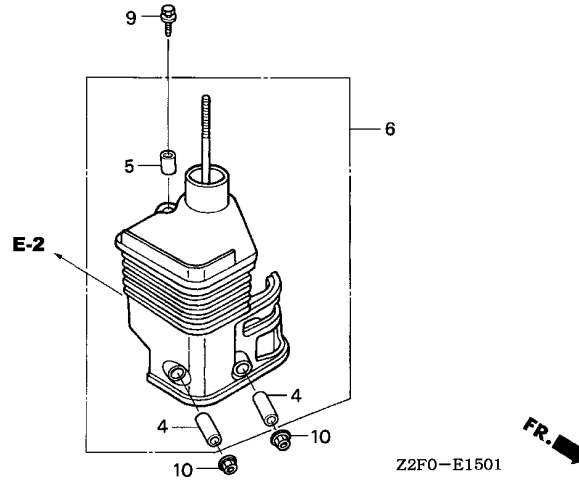
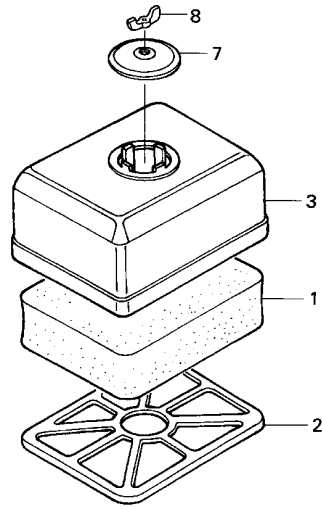
15



Service item	F.R.T.
ELBOW COMP., AIR CLEANER 0.1
.ELEMENT, AIR CLEANER	

2

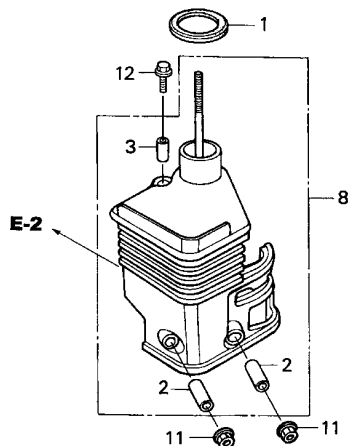
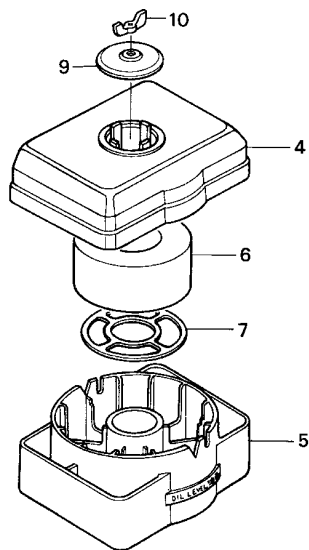
Ref. No.	Part No.	Description	Reqd. QTY		Serial No.	Parts catalogue code
			GX 160K1 (1)	GX 160K1 (2)		
1	17211-ZE1-000	ELEMENT, AIR CLEANER (SEMI DRY)	1	-	-----	LD, LJ, LJC7, LJG, LSJ4, NJ, NJG, NSJ, QD, QMC6, QNZ, RD, RD4, RMD, RSS1, SCJ, SD, SDS, SD16, SD4, SHRY, SJ, SJC1, SJC5, SJG, ST, VED, VED1, VED5, VED6, VXD, VXD1, WJP, WKD6, WKT2, WKT4, WKT6, WMBO, WME2, WME4, WMT
2	17212-ZE1-000	GRID, AIR CLEANER (SEMI DRY)	-	(1)	-----	LD, LJ, LJC7, LJG, LSJ4, NJ, NJG, NSJ, QD, QMC6, QNZ, RD, RD4, RMD, RSS1, SCJ, SD, SDS, SD16, SD4, SHRY, SJ, SJC1, SJC5, SJG, ST, VED, VED1, VED5, VED6, VXD, VXD1, WJP, WKD6, WKT2, WKT4, WKT6, WMBO, WME2, WME4, WMT
3	17231-ZE1-000	COVER, AIR CLEANER (SEMI DRY)	-	(1)	-----	LD, LJ, LJC7, LJG, LSJ4, NJ, NJG, NSJ, QD, QMC6, QNZ, RD, RD4, RMD, RSS1, SCJ, SD, SDS, SD16, SD4, SHRY, SJ, SJC1, SJC5, SJG, ST, VED, VED1, VED5, VED6, VXD, VXD1, WJP, WKD6, WKT2, WKT4, WKT6, WMBO, WME2, WME4, WMT
4	17238-ZE7-010	COLLAR, AIR CLEANER	-	(1)	-----	LD, LJ, LJC7, LJG, LSJ4, NJ, NJG, NSJ, QD, QMC6, QNZ, RD, RD4, RMD, RSS1, SCJ, SD, SDS, SD16, SD4, SHRY, SJ, SJC1, SJC5, SJG, ST, VED, VED1, VED5, VED6, VXD, VXD1, WJP, WKD6, WKT2, WKT4, WKT6, WMBO, WME2, WME4, WMT
5	17239-ZE1-000	COLLAR B, AIR CLEANER	-	(2)	-----	LD, LJ, LJC7, LJG, LSJ4, NJ, NJG, NSJ, QD, QMC6, QNZ, RD, RD4, RMD, RSS1, SCJ, SD, SDS, SD16, SD4, SHRY, SJ, SJC1, SJC5, SJG, ST, VED, VED1, VED5, VED6, VXD, VXD1, WJP, WKD6, WKT2, WKT4, WKT6, WMBO, WME2, WME4, WMT
6	17410-ZE1-020	ELBOW COMP., AIR CLEANER	-	(1)	-----	LD, LJ, LJC7, LJG, LSJ4, NJ, NJG, NSJ, QD, QMC6, QNZ, RD, RD4, RMD, RSS1, SCJ, SD, SDS, SD16, SD4, SHRY, SJ, SJC1, SJC5, SJG, ST, VED, VED1, VED5, VED6, VXD, VXD1, WJP, WKD6, WKT2, WKT4, WKT6, WMBO, WME2, WME4, WMT



Ref. No.	Part No.	Description	Reqd. QTY		Serial No.	Parts catalogue code
			GX 160K1 (1)	GX 160K1 (2)		
7	17421-ZE1-000	CAP, CLEANER	1	-	-----	LD,LJ,LJC7,LJG,LSJ4,NJ,NJG,NSJ,QD,QMC6,QNZ,RD,RD4,RMD,RSS1,SCJ,SD,SDS SD16,SD4,SHRY,SJ,SJC1,SJC5,SJG,ST,VED,VED1,VED5,VED6,VXD,VXD1,WJP WKD6,WKT2,WKT4,WKT6,WMB0,WME2,WME4,WMT
8	90325-044-000	NUT, TOOL BOX SETTING	1	(1)	-----	LD,LJ,LJC7,LJG,LSJ4,NJ,NJG,NSJ,QD,QMC6,QNZ,RD,RD4,RMD,RSS1,SCJ,SD,SDS SD16,SD4,SHRY,SJ,SJC1,SJC5,SJG,ST,VED,VED1,VED5,VED6,VXD,VXD1,WJP WKD6,WKT2,WKT4,WKT6,WMB0,WME2,WME4,WMT
9	95701-06020-00	BOLT, FLANGE, 6X20	1	(1)	-----	LD,LJ,LJC7,LJG,LSJ4,NJ,NJG,NSJ,QD,QMC6,QNZ,RD,RD4,RMD,RSS1,SCJ,SD,SDS SD16,SD4,SHRY,SJ,SJC1,SJC5,SJG,ST,VED,VED1,VED5,VED6,VXD,VXD1,WJP WKD6,WKT2,WKT4,WKT6,WMB0,WME2,WME4,WMT
10	94050-06000	NUT, FLANGE, 6MM	2	1	-----	LD,LJ,LJC7,LJG,LSJ4,NJ,NJG,NSJ,QD,QMC6,QNZ,RD,RD4,RMD,RSS1,SCJ,SD,SDS SD16,SD4,SHRY,SJ,SJC1,SJC5,SJG,ST,VED,VED1,VED5,VED6,VXD,VXD1,WJP WKD6,WKT2,WKT4,WKT6,WMB0,WME2,WME4,WMT
			-	2	-----	

E-15-2

AIR CLEANER(3)



Z2F0-E1502



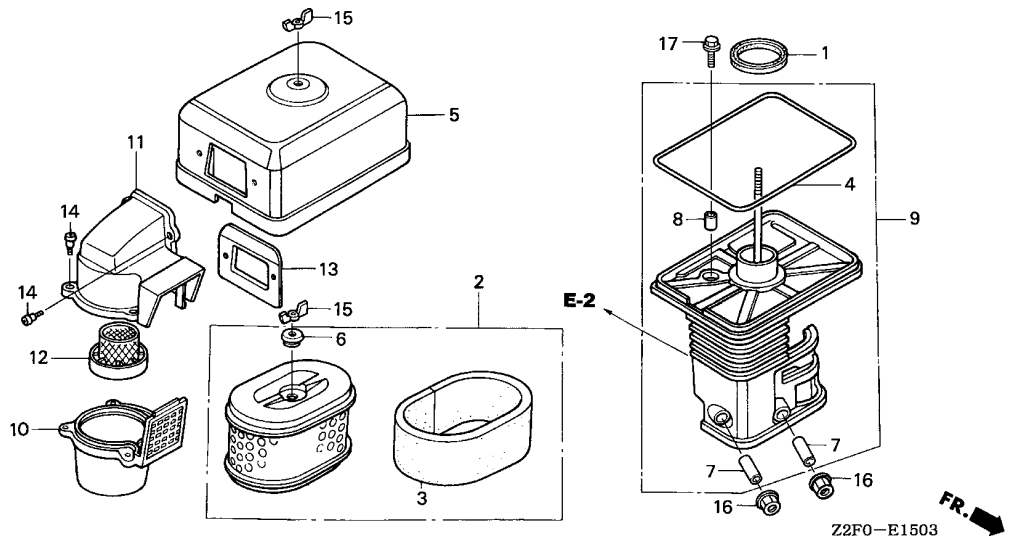
Service item	F.R.T.
ELBOW COMP., AIR CLEANER 0.1
ELEMENT, AIR CLEANER	
PAN, CLEANER OIL	

Ref. No.	Part No.	Description	Reqd. QTY		Serial No.	Parts catalogue code
			GX 160K1 (1)	GX 160K1 (2)		
1	16271-ZE1-000	PACKING, ELBOW	1	-	-----	BL,LVL,LW2,QAB3,QA2,QA26,QME4,QT,QVL,RMB4,STM
2	17238-ZE7-010	COLLAR, AIR CLEANER	2	(1)	-----	BL,LVL,LW2,QAB3,QA2,QA26,QME4,QT,QVL,RMB4,STM
3	17239-ZE1-000	COLLAR B, AIR CLEANER	1	(2)	-----	BL,LVL,LW2,QAB3,QA2,QA26,QME4,QT,QVL,RMB4,STM
4	17401-ZE1-810	BODY, CLEANER (OIL BATH)	1	(1)	-----	BL,LVL,LW2,QAB3,QA2,QA26,QME4,QT,QVL,RMB4,STM
5	17402-ZE1-810	PAN, CLEANER OIL (OIL BATH)	1	(1)	-----	BL,LVL,LW2,QAB3,QA2,QA26,QME4,QT,QVL,RMB4,STM
6	17403-ZE1-810	ELEMENT, AIR CLEANER (OIL BATH)	1	(1)	-----	BL,LVL,LW2,QAB3,QA2,QA26,QME4,QT,QVL,RMB4,STM
7	17404-841-000	GRID, AIR CLEANER	1	(1)	-----	BL,LVL,LW2,QAB3,QA2,QA26,QME4,QT,QVL,RMB4,STM
8	17410-ZE1-020	ELBOW COMP., AIR CLEANER	1	(1)	-----	BL,LVL,LW2,QAB3,QA2,QA26,QME4,QT,QVL,RMB4,STM
9	17421-ZE1-000	CAP, CLEANER	1	(1)	-----	BL,LVL,LW2,QAB3,QA2,QA26,QME4,QT,QVL,RMB4,STM
10	90325-044-000	NUT, TOOL BOX SETTING	1	(1)	-----	BL,LVL,LW2,QAB3,QA2,QA26,QME4,QT,QVL,RMB4,STM
11	94050-06000	NUT, FLANGE, 6MM	2	2	-----	BL,LVL,LW2,QAB3,QA2,QA26,QME4,QT,QVL,RMB4,STM
12	95701-06020-00	BOLT, FLANGE, 6X20	1	1	-----	BL,LVL,LW2,QAB3,QA2,QA26,QME4,QT,QVL,RMB4,STM

E-15-3

AIR CLEANER(4)

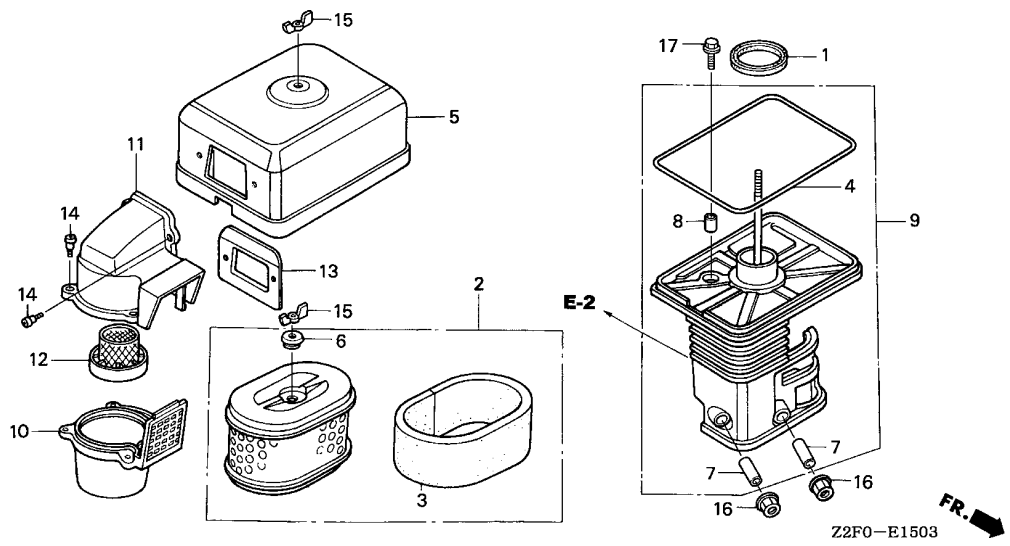
18



Service item	F.R.T.
CAP, PRE AIR CLEANER	0.1
.CASE, PRE AIR CLEANER	
.ELBOW COMP., AIR CLEANER	
.ELEMENT, AIR CLEANER	
.FILTER, OUTER	
.GUIDE, PRE AIR CLEANER	
.PACKING, AIR CLEANER COVER	

Ref. No.	Part No.	Description	Reqd. QTY		Serial No.	Parts catalogue code
			GX 160K1 (1)	GX 160K1 (2)		
1	16271-ZE1-000	PACKING, ELBOW	1	-	-----	QNT4,QSC2,QSC9,QXC,QXC6,QXC9,TXC9
2	17210-ZE1-822	ELEMENT, AIR CLEANER (DUAL) ..	1	(1)	-----	QNT4,QSC2,QSC9,QXC,QXC6,QXC9,TXC9
3	17218-ZE1-821	FILTER, OUTER	1	(1)	-----	QNT4,QSC2,QSC9,QXC,QXC6,QXC9,TXC9
4	17219-733-010	PACKING, AIR CLEANER COVER ..	1	(1)	-----	QNT4,QSC2,QSC9,QXC,QXC6,QXC9,TXC9
5	17230-ZE1-841	COVER, AIR CLEANER (DUAL) ...	1	(1)	-----	QNT4,QSC2,QSC9,QXC,QXC6,QXC9,TXC9
6	17232-891-000	GROMMET, AIR CLEANER	1	(1)	-----	QNT4,QSC2,QSC9,QXC,QXC6,QXC9,TXC9
7	17238-ZE7-010	COLLAR, AIR CLEANER	2	(2)	-----	QNT4,QSC2,QSC9,QXC,QXC6,QXC9,TXC9
8	17239-733-000	COLLAR B, AIR CLEANER	1	(1)	-----	QNT4,QSC2,QSC9,QXC,QXC6,QXC9,TXC9
9	17410-ZE1-840	ELBOW COMP., AIR CLEANER	1	(1)	-----	QNT4,QSC2,QSC9,QXC,QXC6,QXC9,TXC9
10	17470-ZE1-842	CASE, PRE AIR CLEANER	1	(1)	-----	QNT4,QSC2,QSC9,QXC,QXC6,QXC9,TXC9
11	17475-ZE1-841	CAP, PRE AIR CLEANER	1	(1)	-----	QNT4,QSC2,QSC9,QXC,QXC6,QXC9,TXC9
12	17476-ZE1-841	GUIDE, PRE AIR CLEANER	1	(1)	-----	QNT4,QSC2,QSC9,QXC,QXC6,QXC9,TXC9
13	17478-ZE1-841	PLATE, PRE AIR CLEANER	1	(1)	-----	QNT4,QSC2,QSC9,QXC,QXC6,QXC9,TXC9

2

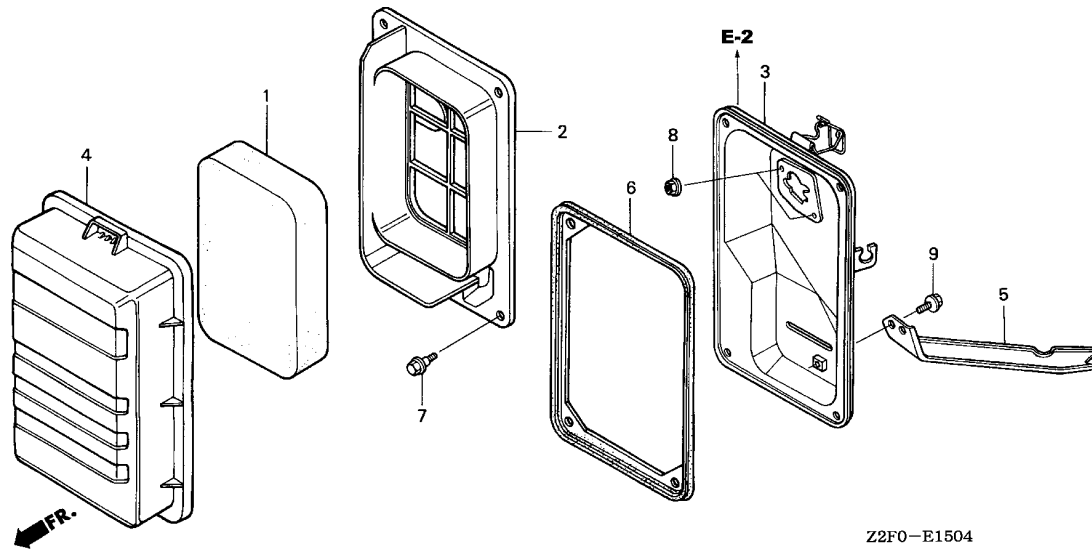


Ref. No.	Part No.	Description	Reqd. QTY		Serial No.	Parts catalogue code
			GX 160K1 (1)	GX 160K1 (2)		
14	90300-GB0-900	BOLT, MUDGUARD	5	-	-----	QNT4,QSC2,QSC9,QXC,QXC6,QXC9,TXC9
15	90325-044-000	NUT, TOOL BOX SETTING	2	(5)	-----	QNT4,QSC2,QSC9,QXC,QXC6,QXC9,TXC9
			-	(2)		
16	94050-06000	NUT, FLANGE, 6MM	2	-	-----	QNT4,QSC2,QSC9,QXC,QXC6,QXC9,TXC9
			-	2		
17	95701-06020-00	BOLT, FLANGE, 6X20	1	-	-----	QNT4,QSC2,QSC9,QXC,QXC6,QXC9,TXC9
			-	1		

E-15-4

AIR CLEANER(5)

I10



Service item	F.R.T.
ELEMENT, AIR CLEANER	0.1
.SEAL, AIR CLEANER	
.SEPARATOR, AIR CLEANER	
CASE COMP., AIR CLEANER	0.2

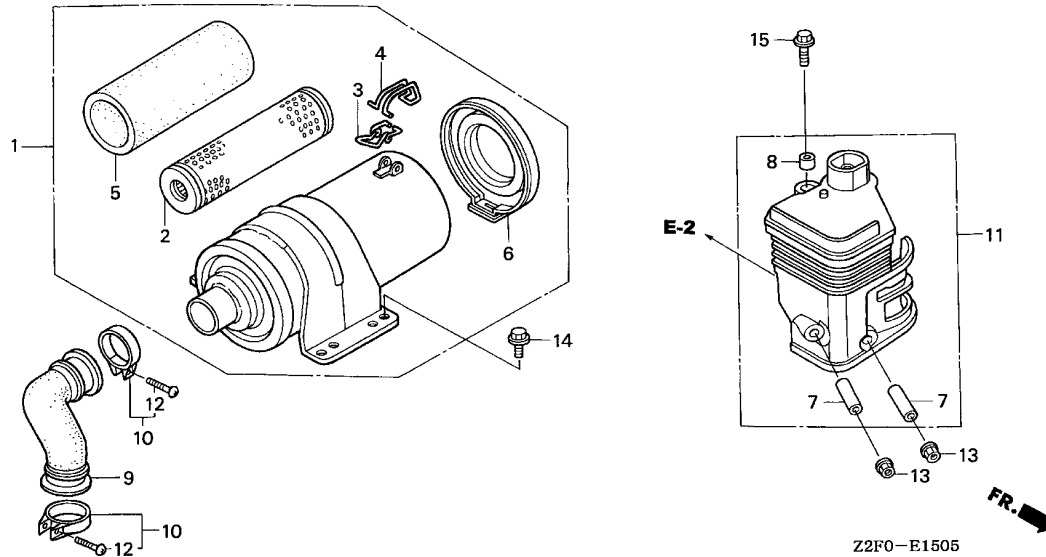
Ref. No.	Part No.	Description	Reqd. QTY		Serial No.	Parts catalogue code
			GX 160K1 (1)	GX 160K1 (2)		
1	17211-ZB2-000	ELEMENT, AIR CLEANER	1	-	-----	EMA2,VED2,VED3,VEN2,VES,VMT,VPM4,VPM5,VPM7,VPR4,VPR7,VS1,VSD1,VSG VS17,VS3,VS4,VTH4
2	17212-ZB2-000	SEPARATOR, AIR CLEANER	1	-	-----	EMA2,VED2,VED3,VEN2,VES,VMT,VPM4,VPM5,VPM7,VPR4,VPR7,VS1,VSD1,VSG VS17,VS3,VS4,VTH4
3	17220-ZB2-000	CASE COMP., AIR CLEANER	1	-	-----	EMA2,VED2,VED3,VEN2,VES,VMT,VPM4,VPM5,VPM7,VPR4,VPR7,VS1,VSD1,VSG VS17,VS3,VS4,VTH4
4	17231-ZB2-000	COVER, AIR CLEANER	1	-	-----	EMA2,VED2,VED3,VEN2,VES,VMT,VPM4,VPM5,VPM7,VPR4,VPR7,VS1,VSD1,VSG VS17,VS3,VS4,VTH4
5	17239-ZB2-000	STAY, AIR CLEANER	1	-	-----	EMA2,VED2,VED3,VEN2,VES,VMT,VPM4,VPM5,VPM7,VPR4,VPR7,VS1,VSD1,VSG VS17,VS3,VS4,VTH4
6	17252-ZB2-000	SEAL, AIR CLEANER	1	-	-----	EMA2,VED2,VED3,VEN2,VES,VMT,VPM4,VPM5,VPM7,VPR4,VPR7,VS1,VSD1,VSG VS17,VS3,VS4,VTH4
7	90115-459-770	BOLT, WINKER SETTING	4	-	-----	EMA2,VED2,VED3,VEN2,VES,VMT,VPM4,VPM5,VPM7,VPR4,VPR7,VS1,VSD1,VSG VS17,VS3,VS4,VTH4
8	94050-06080	NUT, FLANGE, 6MM	2	-	-----	EMA2,VED2,VED3,VEN2,VES,VMT,VPM4,VPM5,VPM7,VPR4,VPR7,VS1,VSD1,VSG VS17,VS3,VS4,VTH4
9	95701-06008-00	BOLT, FLANGE, 6X8	1	-	-----	EMA2,VED2,VED3,VEN2,VES,VMT,VS1,VSG,VS3,VS4
	95701-06010-00	BOLT, FLANGE, 6X10	1	-	-----	VPM4,VPM5,VPM7,VPR4,VPR7,VSD1,VS17,VTH4

2

E-15-5

AIR CLEANER(6)

I11



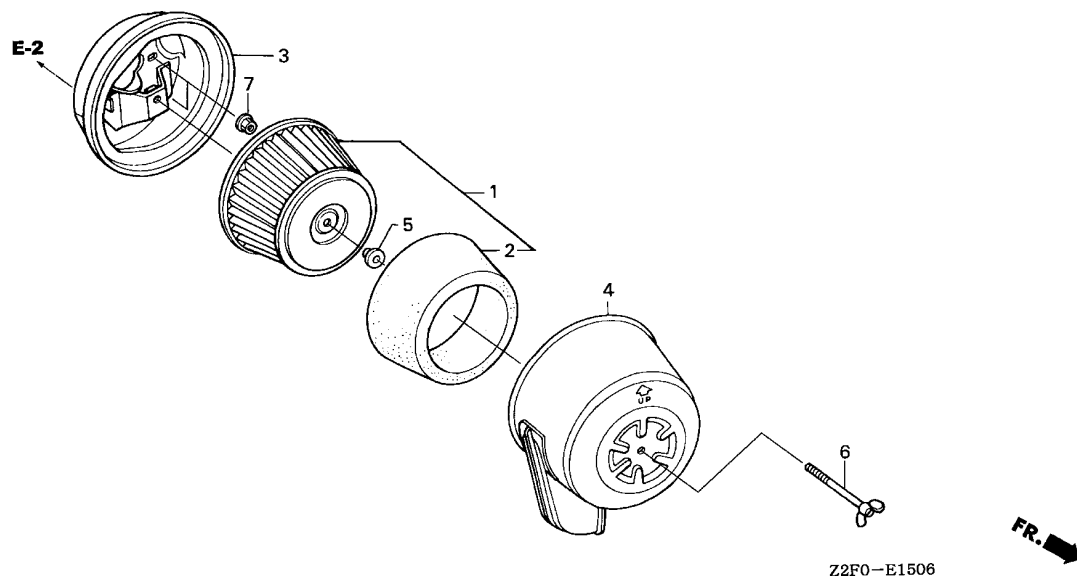
Service item	F.R.T.
CLEANER ASSY., AIR	0.1
.ELBOW COMP., AIR CLEANER	
.ELEMENT COMP., AIR CLEANER	
.FILTER, OUTER	
.TUBE, AIR CLEANER CONNECTING	

Ref. No.	Part No.	Description	Reqd. QTY		Serial No.	Parts catalogue code
			GX 160K1 (1)	GX 160K1 (2)		
1	17200-ZK7-V01	CLEANER ASSY., AIR	1	-	-----	AR,ARC6,KR
2	17210-ZK7-V01	ELEMENT COMP., AIR CLEANER ..	1	-	-----	AR,ARC6,KR
3	17216-PM4-300	CLIP A, WIRE	1	-	-----	AR,ARC6,KR
4	17217-PM4-300	CLIP B, WIRE	1	-	-----	AR,ARC6,KR
5	17218-ZK7-V01	FILTER, OUTER	1	-	-----	AR,ARC6,KR
6	17230-ZK7-V01	COVER COMP., AIR CLEANER	1	-	-----	AR,ARC6,KR
7	17238-ZE7-010	COLLAR, AIR CLEANER	2	-	-----	AR,ARC6,KR
8	17239-ZE1-000	COLLAR B, AIR CLEANER	1	-	-----	AR,ARC6,KR
9	17251-ZE0-S10	TUBE, AIR CLEANER CONNECTING	1	-	-----	AR,ARC6,KR
10	17255-758-000	BAND, AIR CLEANER CONNECTING TUBE	2	-	-----	AR,ARC6,KR
11	17410-ZE1-P30	ELBOW COMP., AIR CLEANER	1	-	-----	AR,ARC6,KR
12	93500-04020-0A	SCREW, PAN, 4X20	2	-	-----	AR,ARC6,KR
13	94050-06000	NUT, FLANGE, 6MM	2	-	-----	AR,ARC6,KR
14	95701-06016-00	BOLT, FLANGE, 6X16	2	-	-----	AR,ARC6,KR
15	95701-06020-00	BOLT, FLANGE, 6X20	1	-	-----	AR,ARC6,KR

E-15-6

AIR CLEANER(7)

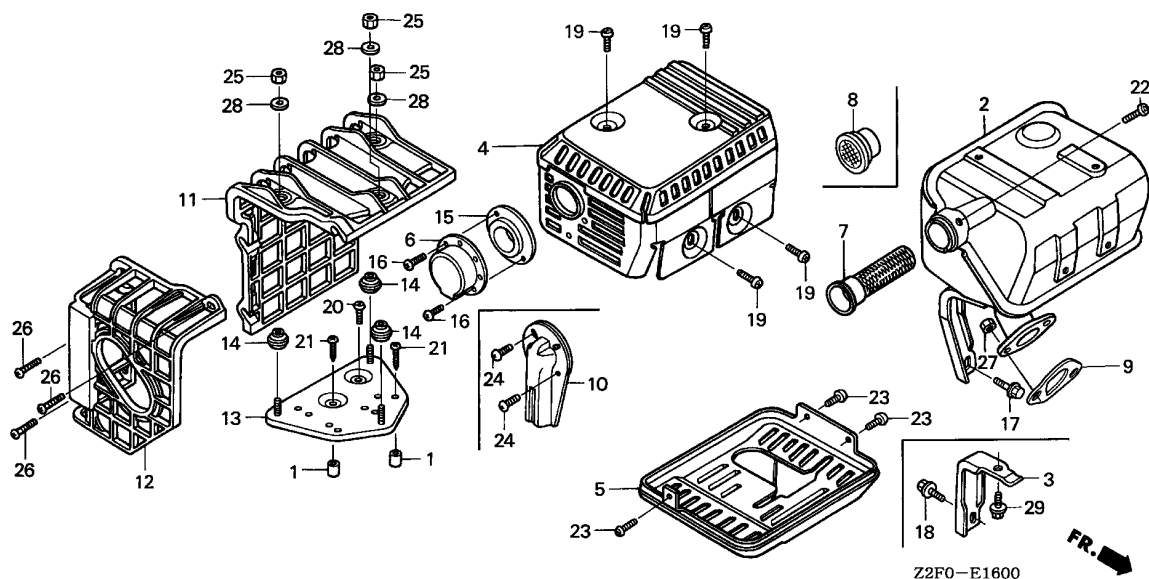
I12



Service item	F.R.T.
CASE COMP., AIR CLEANER	0.1
.ELEMENT B, AIR CLEANER	
.ELEMENT COMP., AIR CLEANER	

Ref. No.	Part No.	Description	Reqd. QTY		Serial No.	Parts catalogue code
			GX 160K1 (1)	GX 160K1 (2)		
1	17210-883-903	ELEMENT COMP., AIR CLEANER ..	1	-	-----	NJC1
2	17218-883-901	ELEMENT B, AIR CLEANER	1	-	-----	NJC1
3	17220-ZB6-601	CASE COMP., AIR CLEANER	1	-	-----	NJC1
4	17230-ZB6-000	COVER COMP., AIR CLEANER	1	-	-----	NJC1
5	17232-890-010	GROMMET, AIR CLEANER	1	-	-----	NJC1
6	90143-300-020	BOLT, AIR CLEANER COVER	1	-	-----	NJC1
7	94050-06000	NUT, FLANGE, 6MM	2	-	-----	NJC1



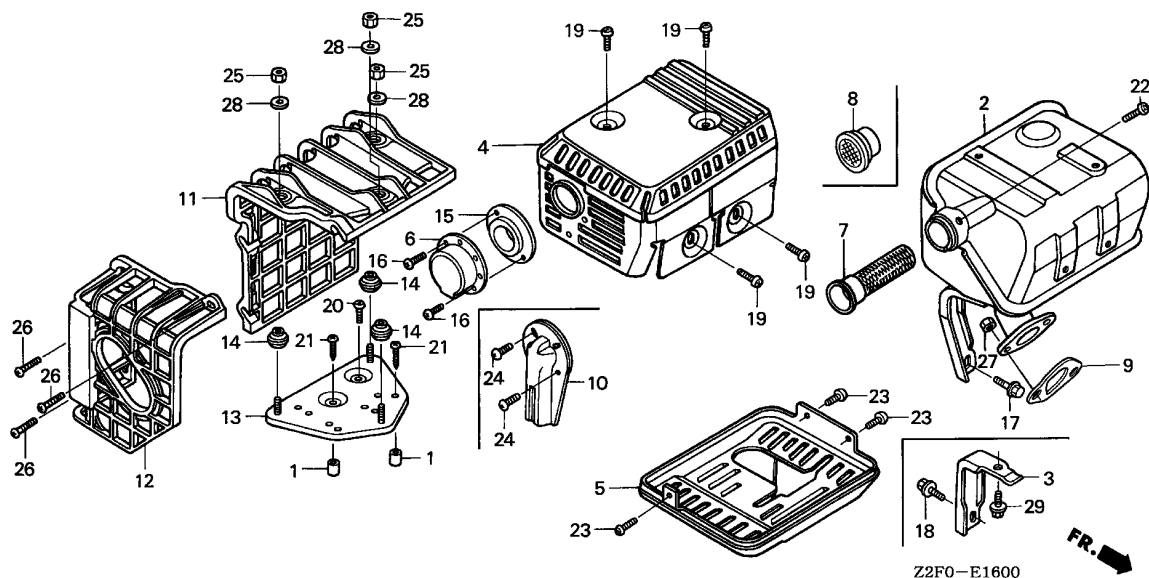


Service item	F.R.T.
CAP, MUFFLER	0.1
.COVER COMP., MUFFLER	
.COVER COMP., MUFFLER RR.	
.DEFLECTOR COMP.	
ARRESTER, SPARK	0.2
.BASE COMP., MUFFLER COVER	
.GASKET, MUFFLER	
.MUFFLER COMP.	
.PROTECTOR, LOWER	
.PROTECTOR, MUFFLER	

Ref. No.	Part No.	Description	Reqd. QTY		Serial No.	Parts catalogue code
			GX 160K1 (1)	GX 160K1 (2)		
1	17233-896-701	COLLAR, AIR CLEANER CASE	(2)	-	-----	HHQ4, HX4, LHQ4, LSJ4, LX4, QE, QFE4, QHQ4, QKA4, QMC6, QMC8, QMD6, QME4, QNT, QNT4, QWA4, QXE4, QXW, QX4, QX7, RD4, RHQ4, RMB4, RSK, RXE4, RX4, SDS, SD4, SE, SG24, SHQ4, SMC7, SMC9, SMX4, SM14, SWG4, SXE4, SXS4, SX4, SX7, S1CY, TX4, VG24, VHA7, VHH4, VMS4, VMS7, VSD, VSD7, VXE4, VXE7, VX4, WDA6, WKT4, WMBO
2	18310-ZE1-821	MUFFLER COMP. (SILENT)	1	-	-----	HG12, LA1, QE, QFE4, QMC8, QMD6, QNZ, QWA4, QXC, QXC6, QXC9, RTB2, SE, SG24, SMC7, SMC9, VEBM, VG24, VMS4, VSX, VSX1, VSX3
	18310-ZE1-900	MUFFLER COMP.	1	(1)	-----	RMD
	18310-ZF1-000	MUFFLER COMP. (STD)	1	-	-----	HH, HHQ4, HH26, HX, HXE2, HXE8, HXU, HX2, HX26, HX4, LD, LH, LHB3, LHQ4, LJ, LJ26, LJC7, LJG, LSJ4, LW2, LX, LXU, LX2, LX26, LX4, NJ, NJG, NSJ, PHM, PX, PXU, QAB3, QAX2, QBT6, QCB2, QCL, QD, QGR2, QGR9, QH, QHE, QHP1, QHQ4, QH2, QH26, QI2, QMC6, QME4, QMH, QP, QPU, QSC2, QSC9, QS2, QT, QWX2, QX, QXE, QXE2, QXE4, QXE6, QXE8, QXF2, QXM1, QXS2, QXU, QXW, QX2, QX22, QX26, QX4, RD, RD4, RH, RHA2, RHQ4, RH2, RH26, RMB4, RMG2, RSK, RSS1, RX, RXE, RXE2, RXE4, RXU, RX4, SCJ, SD, SDS, SD16, SD4, SH, SHM, SHQ4, SHRY, SJ, SJC1, SJC5, SJG, SMJ1, SM11, SM14, SNX, SNX1, ST, STM, SWX2, SWX4, SX, SXE, SXE4, SXU, SX4, TCS2, TX, TXC9, TXU, TX2, TX26, TX4, UXU, VED, VHH4, VSD, VTU1, VX, VXD, VXD1, VXE4, VXM, VXU, VXU1, VXW2, VX2, VX4, WDA6, WJP, WMBO, WME4
	18310-ZH7-V90	MUFFLER COMP.	1	(1)	-----	SMX4
	18310-ZH8-T30	MUFFLER COMP. (SAKAI-ARRESTER)	1	-	-----	SSK1, SSS2

Ref. No.	Part No.	Description	Reqd. QTY		Serial No.	Parts catalogue code
			GX 160K1 (1)	GX 160K1 (2)		
(2)	18310-ZH8-810	MUFFLER COMP. (ARRESTER)	1	-	-----	KTA,QA2,QA26,QBC2,QMZ2,QNT,QNT4,SMW2,SM12,STQ,SXS4,S1CY,VA2,VED1,VED5,VED6,VWA2,VW12,WKD6,WKT2,WKT4,WKT6,WME2,WMT
			(1)	-	-----	HG12,HX,HXE2,HXE8,HXU,HX2,HX26,HX4,LX,LXU,LX2,LX26,LX4,PX,PXU,QAX2,QBT6,QCB2,QCL,QGR2,QGR9,QI2,QKA4,QMX2,QSC2,QS2,QWX2,QX,QXE,QXE2,QXE4,QXE6,QXE8,QXF2,QXM1,QXS2,QXU,QXW,QX2,QX22,QX26,QX4,QX7,RH,RHA2,RHQ4,RH2,RH26,RMG2,RSK,RTB2,RXE2,SG24,SWX2,SWX4,TCS2,TX,TXU,TX2,TX26,TX4,VGE4,VHA7,VHH4,VMS4,VMS7,VPM4,VPM7,VPR4,VPR7,VSD,VSD1,VSD7,VSX,VSX1,VSX3,VS17,VTU1,VX,VXM,VXU,VXU1,VXW2,VX2,VX4
	18310-ZK8-V50	MUFFLER COMP.	1	-	-----	QMX2
	18310-Z8K-870	MUFFLER COMP. (SILENT)	1	-	-----	QX7,SX7,VHA7,VMS7,VSD7,VXE7
3	18315-ZE1-000	STAY, MUFFLER	1	-	-----	HG12,LA1,QE,QFE4,QMC8,QMD6,QNZ,QWA4,QXC,QXC6,QXC9,QX7,RTB2,SE,SG24,SMC7,SMC9,SX7,VEBM,VG24,VHA7,VMS4,VMS7,VSD7,VSX,VSX1,VSX3,VXE7
4	18320-ZF1-H01	PROTECTOR, MUFFLER (STD.) (BLACK)	1	-	-----	HH,HHQ4,HH26,HX,HXE2,HXE8,HXU,HX2,HX26,HX4,KTA,LD,LH,LHB3,LHQ4,LJ,LJC7,LJG,LSJ4,LW2,LX,LXU,LX2,LX26,LX4,NJ,NJG,NSJ,PHM,PX,PXU,QAB3,QAX2,QA2,QA26,QBC2,QBT6,QCB2,QCL,QD,QGR2,QGR9,QH,QHE,QHP1,QHQ4,QH2,QH26,QI2,QMC6,QME4,QMH,QMX2,QMZ2,QNT,QNT4,QP,QPU,QSC2,QSC9,QS2,QT,QWX2,QX,QXE,QXE2,QXE4,QXE6,QXE8,QXF2,QXM1,QXS2,QXU,QXW,QX2,QX22,QX26,QX4,RD,RD4,RH,RHA2,RHQ4,RH2,RH26,RMB4,RMD,RMG2,RSK,RSS1,RX,RXE,RXE2,RXE4,RXU,RX4,SCJ,SD,SDS,SD16,SD4,SH,SHM,SHQ4,SHRY,SJ,SJC1,SJC5,SJG,SMJ1,SMW2,SMX4,SM11,SM12,SM14,SNX,SNX1,SSK1,SSX2,ST,STM,STQ,SWX2,SWX4,SX,SXE,SXE4,SXS4,SXU,SX4,S1CY,TCS2,TX,TC9,TXU,TX2,TX26,TX4,UXU,VA2,VED,VED1,VED5,VED6,VHH4,VSD,VTU1,VWA2,VW12,VX,VXD,VXD1,VXE4,VXM,VXU,VXU1,VXW2,VX2,VX4,WDA6,WJP,WKD6,WKT2,WKT4,WKT6,WMB0,WME2,WME4,WMT
	18320-ZF1-H51	PROTECTOR, MUFFLER (SILENT)	1	-	-----	HG12,LA1,QE,QFE4,QMC8,QMD6,QNZ,QWA4,QXC,QXC6,QXC9,QX7,RTB2,SE,SG24,SMC7,SMC9,SX7,VEBM,VG24,VHA7,VMS4,VMS7,VSD7,VSX,VSX1,VSX3,VXE7
5	18325-ZE1-010	PROTECTOR, LOWER	1	-	-----	LJ,LJC7,LJG,NJ,NJG,NSJ,QGR2,QGR9,QXS2,RSS1,SCJ,SHRY,SJ,SJC1,SJC5,SJG,SMJ1,SM11,SNX,SNX1,ST,STM,VXD,VXD1,WJP
6	18331-883-810	CAP, MUFFLER	1	-	-----	HG12,QMC8,QWA4,QXC,QXC6,QXC9,SG24,SMC7,VEBM,VG24
	18340-ZE1-010	DEFLECTOR COMP.	1	-	-----	KTA,LSJ4,LW2,NSJ,QA2,QA26,QBT6,QMC6,QMH,QMX2,QMZ2,QNT,QNT4,QP,QPU,QS2,QT,QWX2,QXU,RMB4,SCJ,SDS,SHM,SJC1,SJC5,SMW2,SMX4,SM11,SM12,SM14,SNX,SNX1,SSK1,SSX2,STQ,SWX2,SWX4,SXS4,SXU,S1CY
7	18355-ZE1-000	ARRESTER, SPARK	1	-	-----	KTA,LJC7,QA2,QA26,QBC2,QMX2,QMZ2,QNT,QNT4,SJC1,SJC5,SMW2,SM12,SSK1,SSX2,STQ,SXS4,S1CY,VA2,VED1,VED5,VED6,VPM5,VTH4,VWA2,VW12,WKD6,WKT2,WKT4,WKT6,WME2,WMT
			(1)	-	-----	HG12,HX,HXE2,HXE8,HXU,HX2,HX26,HX4,LX,LXU,LX2,LX26,LX4,PX,PXU,QAX2,QBT6,QCB2,QCL,QGR2,QGR9,QI2,QKA4,QSC2,QS2,QWX2,QX,QXE,QXE2,QXE4,QXE6,QXE8,QXF2,QXM1,QXS2,QXU,QXW,QX2,QX22,QX26,QX4,QX7,RH,RHA2,RHQ4,RH2,RH26,RMG2,RSK,RTB2,RXE2,SG24,SWX2,SWX4,TCS2,TX,TXU,TX2,TX26,TX4,VGE4,VHA7,VHH4,VMS4,VMS7,VPM4,VPM7,VPR4,VPR7,VSD,VSD1,VSD7,VSX,VSX1,VSX3,VS17,VTU1,VX,VXM,VXU,VXU1,VXW2,VX2,VX4
	18355-ZE1-810	ARRESTER, SPARK (SILENT)	1	-	-----	QE,QFE4,QMC8,QMD6,QNZ,QWA4,QXC,QXC6,QXC9,SE,SG24,SMC7,SMC9,VEBM,VG24,VMS4
8	18361-ZL0-000	NETTING, WIRE FLANGE	1	-	-----	QX7,SX7,VHA7,VMS7,VSD7,VXE7

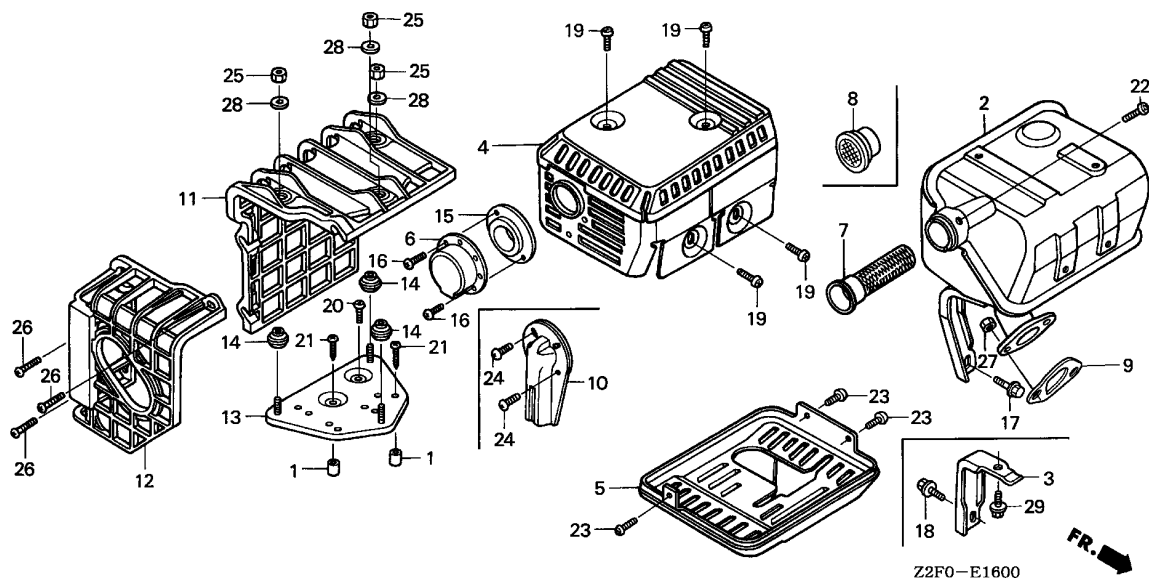




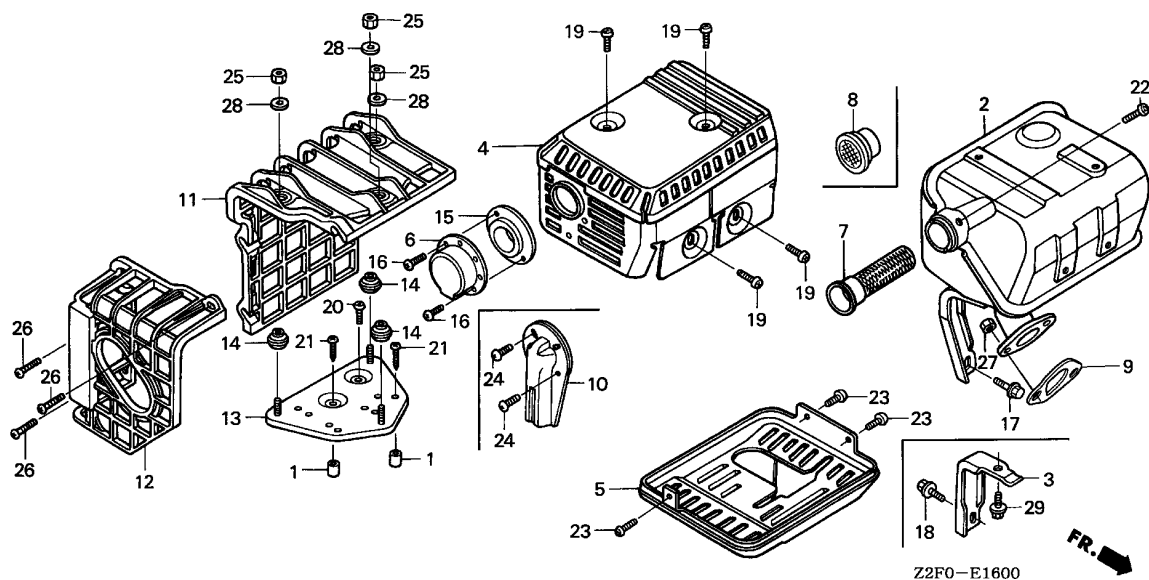
Ref. No.	Part No.	Description	Reqd. QTY		Serial No.	Parts catalogue code
			GX 160K1 (1)	GX 160K2 (2)		
9	18381-ZH8-800	GASKET, MUFFLER	1	-	-----	HG12,HH,HHQ4,HH26,HX,HXE2,HXE8,HXU,HX2,HX26,HX4,KTA,LA1,LD,LH,LHB3,LHQ4,LJ,LJC7,LJG,LSJ4,LW2,LX,LXU,LX2,LX26,LX4,NJ,NJG,NSJ,PHM,PX,PXU,QAB3,QAX2,QA2,QA26,QBC2,QBT6,QCB2,QCL,QD,QE,QFE4,QGR2,QGR9,QH,QHE,QHP1,QHQ4,QH2,QH26,QI2,QKA4,QMC6,QMC8,QMD6,QME4,QMH,QMX2,QMZ2,QNT,QNT4,QNZ,QP,QPU,QSC2,QSC9,QS2,QT,QWA4,QWX2,QX,QXC,QXC6,QXC9,QXE,QXE2,QXE4,QXE6,QXE8,QXF2,QXM1,QXS2,QXU,QXW,QX2,QX22,QX26,QX4,QX7,RD,RD4,RH,RHA2,RHQ4,RH2,RH26,RMB4,RMD,RMG2,RSK,RSS1,RTB2,RX,RXE,RXE2,RXE4,RXU,RX4,SCJ,SD,SDS,SD16,SD4,SE,SG24,SH,SHM,SHQ4,SHRY,SJ,SJC1,SJC5,SJG,SMC7,SMC9,SMJ1,SMW2,SMX4,SM11,SM12,SM14,SNX,SNX1,SSK1,SSX2,ST,STM,STQ,SWG4,SWX2,SWX4,SX,SXE,SXE4,SXS4,SXU,SX4,SX7,S1CY,TCS2,TX,TXC9,TXU,TX2,TX26,TX4,UXU,VA2,VEBM,VED,VED1,VED5,VED6,VGE4,VG24,VHA7,VHH4,VMS4,VMS7,VPM4,VPM5,VPM7,VSD,VSD7,VSX,VSX1,VSX3,VTH4,VTU1,VWA2,VW12,VX,VXD,VXD1,VXE4,VXE7,VXM,VXU,VXW2,VX2,VX4,WDA6,WJP,WKD6,WKT2,WKT4,WKT6,WMB0,WME2,WME4,WMT
10	18431-ZH8-W50	DEFLECTOR, MUFFLER	(1)	(1)	-----	QMC6,QMC8,QNT,QNT4,QWA4,RMB4,SDS,SG24,SMC7,SXS4,VG24
11	18433-ZH8-W40	COVER COMP., MUFFLER	(1)	-	-----	HHQ4,HX4,LHQ4,LSJ4,LX4,QE,QFE4,QHQ4,QKA4,QMC6,QMC8,QMD6,QME4,QNT,QNT4,QWA4,QXE4,QXW,QX4,QX7,RD4,RHQ4,RMB4,RSK,RXE4,RX4,SDS,SD4,SE,SG24,SHQ4,SMC7,SMC9,SMX4,SM14,SWG4,SXE4,SXS4,SX4,SX7,S1CY,TX4,VG24,VHA7,VHH4,VMS4,VMS7,VSD,VSD7,VXE4,VXE7,VX4,WDA6,WKT4,WMB0
12	18434-ZH8-W40	COVER COMP., MUFFLER RR.	(1)	-	-----	HHQ4,HX4,LHQ4,LSJ4,LX4,QE,QFE4,QHQ4,QKA4,QMC6,QMC8,QMD6,QME4,QNT,QNT4,QWA4,QXE4,QXW,QX4,QX7,RD4,RHQ4,RMB4,RSK,RXE4,RX4,SDS,SD4,SE,SG24,SHQ4,SMC7,SMC9,SMX4,SM14,SWG4,SXE4,SXS4,SX4,SX7,S1CY,TX4,VG24,VHA7,VHH4,VMS4,VMS7,VSD,VSD7,VXE4,VXE7,VX4,WDA6,WKT4,WMB0

Ref. No.	Part No.	Description	Reqd. QTY		Serial No.	Parts catalogue code
			GX 160K1 (1)	GX 160K1 (2)		
13	18436-ZH8-W40	BASE COMP., MUFFLER COVER ...	(1)	-	-----	HHQ4, HX4, LHQ4, LSJ4, LX4, QE, QFE4, QHQ4, QKA4, QMC6, QMC8, QMD6, QME4, QNT, QNT4, QWA4, QXE4, QXW, QX4, QX7, RD4, RHQ4, RMB4, RSK, RXE4, RX4, SDS, SD4, SE, SG24, SHQ4, SMC7, SMC9, SMX4, SM14, SWG4, SXE4, SXS4, SX4, SX7, S1CY, TX4, VG24, VHA7, VHH4, VMS4, VMS7, VSD, VSD7, VXE4, VXE7, VX4, WDA6, WKT4, WMBO
14	18466-ZH8-W40	SPACER, MUFFLER COVER	(3)	-	-----	HHQ4, HX4, LHQ4, LSJ4, LX4, QE, QFE4, QHQ4, QKA4, QMC6, QMC8, QMD6, QME4, QNT, QNT4, QWA4, QXE4, QXW, QX4, QX7, RD4, RHQ4, RMB4, RSK, RXE4, RX4, SDS, SD4, SE, SG24, SHQ4, SMC7, SMC9, SMX4, SM14, SWG4, SXE4, SXS4, SX4, SX7, S1CY, TX4, VG24, VHA7, VHH4, VMS4, VMS7, VSD, VSD7, VXE4, VXE7, VX4, WDA6, WKT4, WMBO
15	18522-ZE1-000	GUIDE, MUFFLER	1	-	-----	KTA, LSJ4, LW2, NSJ, QA2, QA26, QBT6, QMC6, QMH, QMX2, QMZ2, QNT, QNT4, QP, QPU, QS2, QT, QXU, RMB4, SCJ, SDS, SHM, SJC1, SJC5, SMW2, SMX4, SM11, SM12, SM14, SNX, SNX1, SSK1, SSSX2, STQ, SWX2, SWX4, SXS4, SXU, S1CY
			-	(1)		
16	90002-ZG0-003	SCREW, TAPPING, 4X8	2	-	-----	KTA, LSJ4, LW2, NSJ, QA2, QA26, QBT6, QMC6, QMH, QMX2, QMZ2, QNT, QNT4, QP, QPU, QS2, QT, QWX2, QXU, RMB4, SCJ, SDS, SHM, SJC1, SJC5, SMW2, SMX4, SM11, SM12, SM14, SNX, SNX1, SSK1, SSSX2, STQ, SWX2, SWX4, SXS4, SXU, S1CY
	90055-ZE1-000	SCREW, TAPPING, 4X6	2	-	-----	HG12, QMC8, QWA4, QXC, QXC6, QXC9, SG24, SMC7, VEBM, VG24
			-	(2)		
17	90016-ZE1-000	BOLT, FLANGE, 6X13	1	-	-----	QMX2, SMX4
18	90016-ZE1-000	BOLT, FLANGE, 6X13	1	-	-----	HG12, LA1, QE, QFE4, QMC8, QMD6, QNZ, QWA4, QXC, QXC6, QXC9, QX7, SE, SG24, SMC7, SMC9, SX7, VEBM, VG24, VHA7, VMS4, VMS7, VSD7, VSX, VSX1, VSX3, VXE7
			-	(1)		
19	90050-ZE1-000	SCREW, TAPPING, 5X8	4	-	-----	HH, HHQ4, HH26, HX, HXE2, HXE8, HXU, HX2, HX26, HX4, KTA, LD, LH, LHB3, LHQ4, LJ, LJC7, LJG, LSJ4, LW2, LX, LXU, LX2, LX26, LX4, NJ, NJG, NSJ, PHM, PX, PXU, QAB3, QAX2, QA2, QA26, QBC2, QBT6, QCB2, QCL, QD, QE, QFE4, QGR2, QGR9, QH, QHE, QHP1, QHQ4, QH2, QH26, QI2, QMC6, QMC8, QMD6, QME4, QMH, QMX2, QMZ2, QNT, QNT4, QNZ, QP, QPU, QSC2, QSC9, QS2, QT, QWA4, QWX2, QX, QXC, QXC6, QXC9, QXE, QXE2, QXE4, QXE6, QXE8, QXF2, QXM1, QXS2, QXU, QXW, QX2, QX22, QX26, QX4, QX7, RD, RD4, RH, RHA2, RHQ4, RH2, RH26, RMB4, RMD, RMG2, RSK, RSS1, RX, RXE, RXE2, RXE4, RXU, RX4, SCD, SD, SDS, SD16, SD4, SE, SG24, SH, SHM, SHQ4, SHRY, SJ, SJC1, SJC5, SJG, SMC7, SMC9, SMJ1, SMW2, SMX4, SM11, SM12, SM14, SNX, SNX1, SSK1, SSSX2, ST, STM, STQ, SWX2, SWX4, SX, SXE, SXE4, SXS4, SXU, SX4, SX7, S1CY, TCS2, TX, TXC9, TXU, TX2, TX26, TX4, UXU, VA2, VEBM, VED, VED1, VED5, VED6, VG24, VHA7, VHH4, VMS4, VMS7, VSD, VSD7, VTU1, VWA2, VW12, VX, VXD, VXD1, VXE4, VXE7, VXM, VXU, VXU1, VXW2, VX2, VX4, WDA6, WJP, WKD6, WKT2, WKT4, WKT6, WMBO, WME2, WME4, WMT
			-	(4)		
	90050-ZE3-H00	4	-	-----	HG12, LA1, RTB2, VSX, VSX1, VSX3
20	90050-ZE1-000	SCREW, TAPPING, 5X8	(1)	-	-----	HHQ4, HX4, LHQ4, LSJ4, LX4, QE, QFE4, QHQ4, QKA4, QMC6, QMC8, QMD6, QME4, QNT, QNT4, QWA4, QXE4, QX4, QX7, RD4, RHQ4, RMB4, RSK, RXE2, RXE4, RX4, SDS, SD4, SE, SG24, SHQ4, SMC7, SMC9, SMX4, SM14, SWG4, SXE4, SXS4, SX4, SX7, S1CY, TX4, VG24, VHA7, VHH4, VMS4, VMS7, VSD, VSD7, VXE4, VXE7, VX4, WDA6, WKT4, WMBO
21	90050-ZH8-W40	SCREW, TAPPING, 5X25	(2)	-	-----	HHQ4, HX4, LHQ4, LSJ4, LX4, QE, QFE4, QHQ4, QKA4, QMC6, QMC8, QMD6, QME4, QNT, QNT4, QWA4, QXE4, QXW, QX4, QX7, RD4, RHQ4, RMB4, RSK, RXE4, RX4, SDS, SD4, SE, SG24, SHQ4, SMC7, SMC9, SMX4, SM14, SWG4, SXE4, SXS4, SX4, SX7, S1CY, TX4, VG24, VHA7, VHH4, VMS4, VMS7, VSD, VSD7, VXE4, VXE7, VX4, WDA6, WKT4, WMBO
22	90055-ZE1-000	SCREW, TAPPING, 4X6	1	-	-----	KTA, LJC7, QA2, QA26, QBC2, QMX2, QMZ2, QNT, QNT4, SJC1, SJC5, SMW2, SM12, SSK1, SSSX2, STQ, SXS4, S1CY, VA2, VED1, VED5, VED6, VPM5, VWA2, VW12, WKD6, WKT2, WKT4, WKT6, WME2, WMT
			(1)	-	-----	HG12, HX, HXE2, HXE8, HXU, HX2, HX26, HX4, LX, LXU, LX2, LX26, LX4, PX, PXU, QAX2, QBT6, QCB2, QCL, QGR2, QGR9, QI2, QKA4, QSC2, QS2, QWX2, QX, QXE, QXE2, QXE4, QXE6, QXE8, QXF2, QXM1, QXU, QXW, QX2, QX22, QX26, QX4, QX7, RH, RHA2, RHQ4, RH2, RH26, RMG2, RSK, RTB2, RXE2, SWX2, SWX4, TCS2, TX, TXU, TX2, TX26, TX4, VGE4, VHA7, VHH4, VMS4, VMS7, VPM4, VPM7, VPR4, VPR7, VSD, VSD1, VSD7, VSX, VSX1, VSX3, VS17, VTU1, VX, VXM, VXU, VXU1, VW2, VX2, VX4

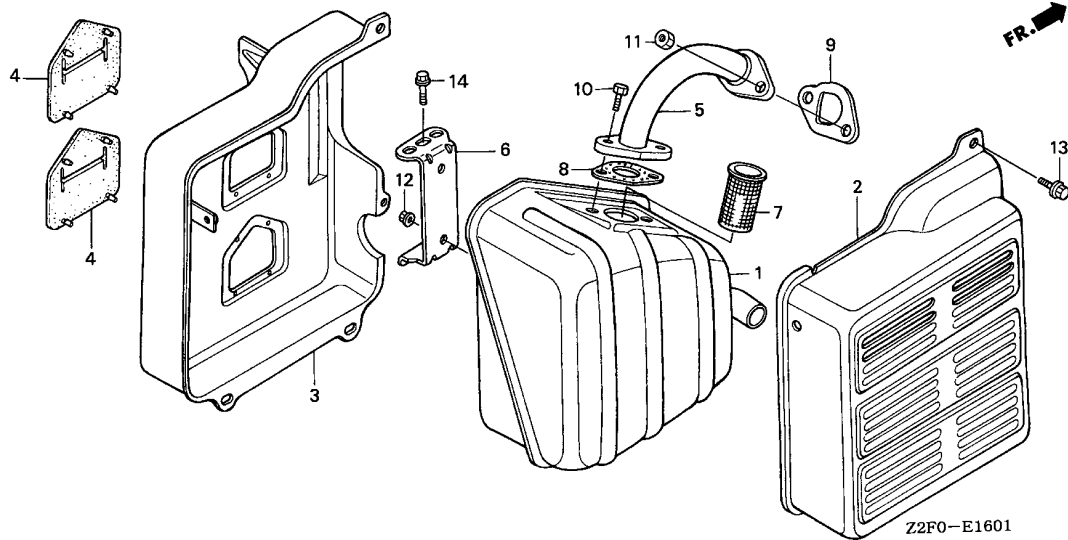




Ref. No.	Part No.	Description	Reqd. QTY		Serial No.	Parts catalogue code
			GX 160K1 (1)	GX 160K1 (2)		
22)	90056-ZL0-000	SCREW, TAPPING, 4X6	1	-	-----	QE, QFE4, QMC8, QMD6, QNZ, QWA4, QXC, QXC6, QXC9, SE, SG24, SMC7, SMC9, SX7, VEEM VG24, VMS4, VXE7
23	90055-ZE1-000	SCREW, TAPPING, 4X6	-	(1)	-----	LJ, LJC7, LJG, NJ, NJG, NSJ, QGR2, QGR9, QXS2, RSS1, SCJ, SHRY, SJ, SJC1, SJC5, SJG SMJ1, SM11, SNX, SNX1, ST, STM, VXD, VXD1, WJP
24	90055-ZE1-000	SCREW, TAPPING, 4X6	(2)	-	-----	QMC6, QMC8, QNT, QNT4, QWA4, RMB4, SDS, SG24, SMC7, SXS4, VG24
25	90302-KF9-900	NUT, HEX., 5MM	(3)	-	-----	HHQ4, HX4, LHQ4, LSJ4, LX4, QE, QFE4, QHQ4, QKA4, QMC6, QMC8, QMD6, QME4, QNT, QNT4 QWA4, QXE4, QXW, QX4, QX7, RD4, RHQ4, RMB4, RSK, RXE4, RX4, SDS, SD4, SE, SG24, SHQ4 SMC7, SMC9, SMX4, SM14, SWG4, SXE4, SXS4, SX4, SX7, S1CY, TX4, VG24, VHA7, VHH4 VMS4, VMS7, VSD, VSD7, VXE4, VXE7, VX4, WDA6, WKT4, WMBO
26	93891-06020-07	SCREW-WASHER, 6X20	(3)	-	-----	HHQ4, HX4, LHQ4, LSJ4, LX4, QE, QFE4, QHQ4, QKA4, QMC6, QMC8, QMD6, QME4, QNT, QNT4 QWA4, QXE4, QXW, QX4, QX7, RD4, RHQ4, RMB4, RSK, RXE4, RX4, SDS, SD4, SE, SG24, SHQ4 SMC7, SMC9, SMX4, SM14, SWG4, SXE4, SXS4, SX4, SX7, S1CY, TX4, VG24, VHA7, VHH4 VMS4, VMS7, VSD, VSD7, VXE4, VXE7, VX4, WDA6, WKT4, WMBO



Ref. No.	Part No.	Description	Reqd. QTY		Serial No.	Parts catalogue code
			GX 160K1 (1)	GX 160K1 (2)		
27	94001-08000-0S	NUT, HEX., 8MM	2	-		HG12,HH,HHQ4,HH26,HX,HXE2,HXE8,HXU,HX2,HX26,HX4,KTA,LA1,LD,LH,LHB3,LHQ4,LJ,LJC7,LJG,LSJ4,LW2,LX,LXU,LX2,LX26,LX4,NJ,NJG,NSJ,PHM,PX,PXU,QAB3,QAX2,QA2,QA26,QBC2,QBT6,QCB2,QCL,QD,QE,QFE4,QGR2,QGR9,QH,QHE,QHP1,QHQ4,QH2,QH26,QI2,QKA4,QMC6,QMC8,QMD6,QME4,QMH,QMX2,QMZ2,QNT,QNT4,QNZ,QP,QPU,QSC2,QSC9,QS2,QT,QWA4,QWX2,QX,QXC,QXC6,QXC9,QXE,QXE2,QXE4,QXE6,QXE8,QXF2,QXM1,QXS2,QXU,QXW,QX2,QX22,QX26,QX4,QX7,RD,RD4,RH,RHA2,RHQ4,RH2,RH26,RMB4,RMD,RMG2,RSK,RSS1,RTB2,RX,RXE,RXE2,RXE4,RXU,RX4,SCJ,SD,SDS,SD16,SD4,SE,SG24,SH,SHM,SHQ4,SHRY,SJ,SJC1,SJC5,SJG,SMC7,SMC9,SMJ1,SMW2,SMX4,SM11,SM12,SM14,SNX,SNX1,SSK1,SSX2,ST,STM,STQ,SWG4,SWX2,SWX4,SX,SXE,SXE4,SXS4,SXU,SX4,SX7,S1CY,TCX2,TX,TCX9,TXU,TX2,TX26,TX4,UXU,VA2,VEBM,VED,VED1,VED5,VED6,VG24,VHA7,VHH4,VMS4,VMS7,VPM4,VPM5,VPM7,VSD,VSD7,VSX,VSX1,VSX3,VTH4,VTU1,VWA7,VW12,VX,VXD,VXD1,VXE4,VXE7,VXM,VXU,VXW2,VX2,VX4,WDA6,WJP,WKD6,WKT2,WKT4,WKT6,WMB0,WME2,WME4,WMT
28	94103-05700	WASHER, PLAIN, 5MM	(3)	2		HHQ4,HX4,LHQ4,LSJ4,LX4,QE,QFE4,QHQ4,QKA4,QMC6,QMC8,QMD6,QME4,QNT,QNT4,QWA4,QXE4,QXW,QX4,QX7,RD4,RHQ4,RMB4,RSK,RXE4,RX4,SDS,SD4,SE,SG24,SHQ4,SMC7,SMC9,SMX4,SM14,SWG4,SXE4,SXS4,SX4,SX7,S1CY,TCX4,VG24,VHA7,VHH4,VMS4,VMS7,VSD,VSD7,VXE4,VXE7,VX4,WDA6,WKT4,WMB0
29	95701-06012-00	BOLT, FLANGE, 6X12	1	-		HG12,LA1,QE,QFE4,QMC8,QMD6,QNZ,QWA4,QXC,QXC6,QXC9,QX7,RTB2,SE,SG24,SMC7,SMC9,SX7,VEBM,VG24,VHA7,VMS4,VMS7,VSD7,VSX,VSX1,VSX3,VXE7



Service item	F.R.T.
PROTECTOR, MUFFLER OUTER	0.1
ARRESTER, SPARK	0.2
.GASKET, MUFFLER	
.MUFFLER COMP.	
.PIPE COMP., EX.	
.PROTECTOR, MUFFLER INNER	
.SEAL, MUFFLER PROTECTOR	

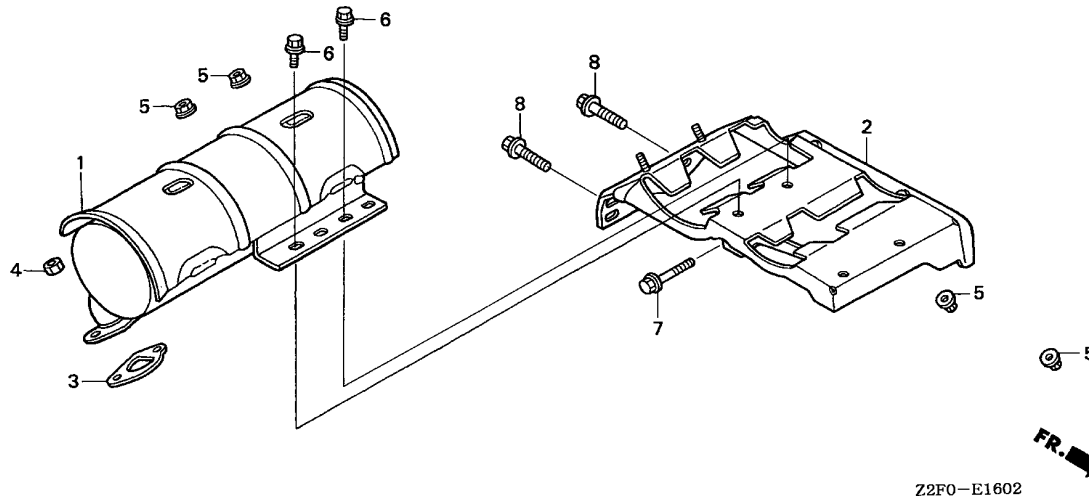
Z2F0-E1601

Ref. No.	Part No.	Description	Reqd. QTY		Serial No.	Parts catalogue code
			GX 160K1 (1)	GX 160K1 (2)		
1	18310-ZB2-000	MUFFLER COMP.	1	-	-----	SKM
	18310-ZB3-C00	1	-	-----	EMA2, VED2, VED3, VEN2, VES, VMT, VPR4, VPR7, VSB1, VSD1, VSG, VS17, VS3, VS4
2	18320-ZB2-000	PROTECTOR, MUFFLER OUTER	1	-	-----	EMA2, SKM, VED2, VED3, VES, VMT, VSB1, VSG, VS3, VS4
3	18325-ZB2-000	PROTECTOR, MUFFLER INNER	1	-	-----	VED2, VED3, VEN2, VES, VMT, VSB1, VSG, VS3, VS4
	18325-ZH8-T90	PROTECTOR, MUFFLER INNER (DENYO)	1	-	-----	EMA2, SKM
4	18329-ZB2-000	SEAL, MUFFLER PROTECTOR	2	-	-----	EMA2, SKM, VED2, VED3, VEN2, VES, VMT, VSB1, VSG, VS3, VS4
5	18330-ZB2-000	PIPE COMP., EX.	1	-	-----	SKM, VED2, VED3, VEN2, VES, VMT, VSB1, VSD1, VSG, VS17, VS3, VS4
	18330-ZH8-T90	PIPE COMP., EX. (DENYO)	1	-	-----	EMA2
6	18338-ZB3-E30	STAY, MUFFLER	1	-	-----	VED2, VED3, VEN2, VES, VMT, VSB1, VSG, VS3, VS4
7	18355-898-630	ARRESTER, SPARK	1	-	-----	EMA2, VED2, VED3, VEN2, VES, VPR4, VPR7, VSD1, VS17
8	18381-ZE1-800	GASKET, MUFFLER	1	-	-----	EMA2, VED2, VED3, VEN2, VES, VMT, VPR4, VPR7, VSB1, VSD1, VSG, VS17, VS3, VS4
	18381-ZH8-800	1	-	-----	SKM
9	18381-ZH8-800	GASKET, MUFFLER	1	-	-----	EMA2, SKM, VED2, VED3, VEN2, VES, VMT, VPR4, VPR7, VSB1, VSD1, VSG, VS17, VS3, VS4
10	92101-08020-0A	BOLT, HEX., 8X20	2	-	-----	VED2, VED3, VEN2, VES, VMT, VPR4, VPR7, VSD1, VSG, VS17
11	94001-08000-0S	NUT, HEX., 8MM	2	-	-----	VED2, VED3, VEN2, VES, VMT, VPR4, VPR7, VSD1, VSG, VS17
12	94050-06000	NUT, FLANGE, 6MM	2	-	-----	VED2, VED3, VEN2, VES, VMT, VSB1, VSG, VS3, VS4
13	95701-06012-00	BOLT, FLANGE, 6X12	5	-	-----	VED2, VED3, VES, VMT, VSG
14	95801-08020-18	BOLT, FLANGE, 8X20	1	-	-----	VED2, VEN2, VES

E-16-2

MUFFLER(3)

J 4



Service item	F.R.T.
GASKET, MUFFLER	0.2
.MUFFLER COMP.	
STAY COMP., MUFFLER	0.3

Ref. No.	Part No.	Description	Reqd. QTY		Serial No.	Parts catalogue code
			GX 160K1 (1)	GX 160K1 (2)		
1	18310-ZK7-V01	MUFFLER COMP.	1	-	-----	AR,ARC6,KR
2	18338-ZK8-V01	STAY COMP., MUFFLER	1	-	-----	AR,ARC6,KR
3	18381-ZH8-800	GASKET, MUFFLER	1	-	-----	AR,ARC6,KR
4	94001-08000-0S	NUT, HEX., 8MM	2	-	-----	AR,ARC6,KR
5	94050-06000	NUT, FLANGE, 6MM	4	-	-----	AR,ARC6,KR
6	95701-06016-00	BOLT, FLANGE, 6X16	2	-	-----	AR,ARC6,KR
7	95701-06025-00	BOLT, FLANGE, 6X25	1	-	-----	AR,ARC6,KR
8	95701-08020-00	BOLT, FLANGE, 8X20	2	-	-----	AR,ARC6,KR

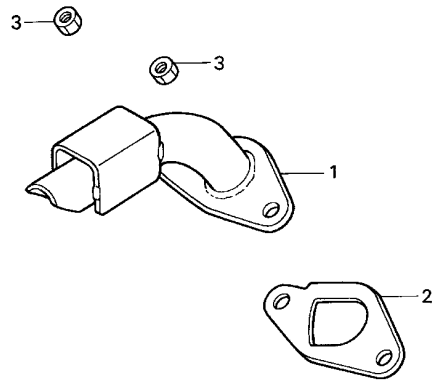
2

E-16-3

MUFFLER(4)

J 5

FR. →



Z2F0-E1603

Service item	F.R.T.
GASKET, MUFFLER	0.1
.PIPE, EX.	

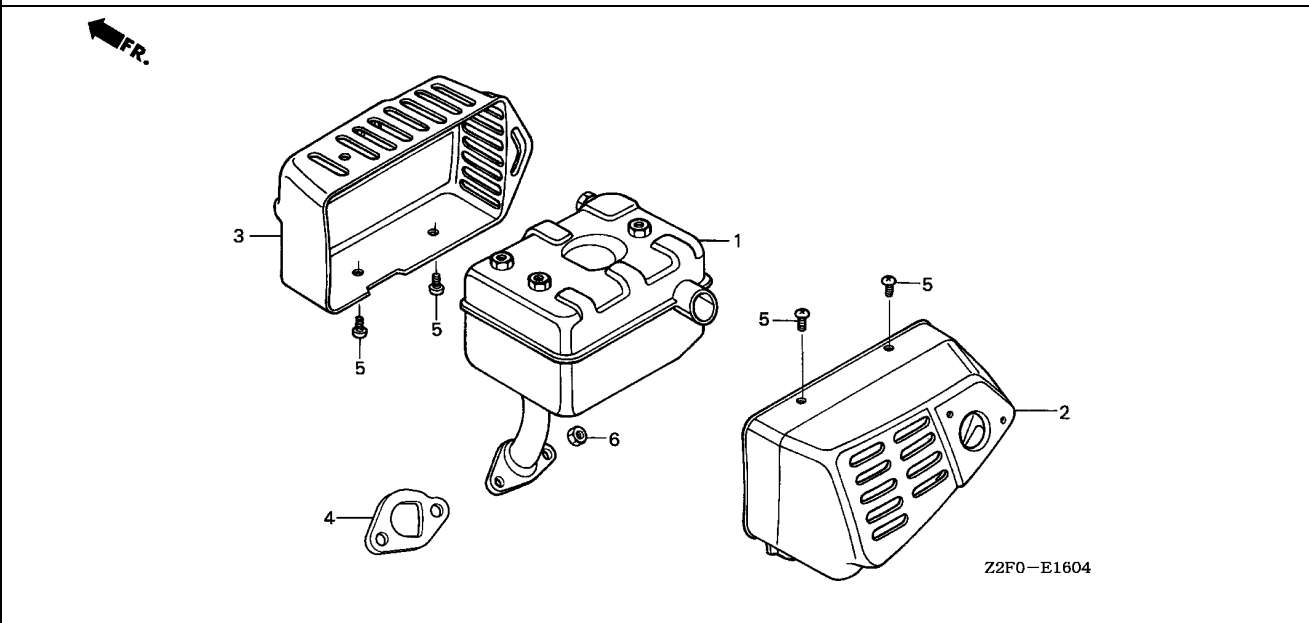
2

Ref. No.	Part No.	Description	Reqd. QTY		Serial No.	Parts catalogue code
			GX 160K1 (1)	GX 160K1 (2)		
1	18310-ZL0-W80	PIPE, EX.	1	-	-----	BL,LVL,QVL
2	18381-ZH8-800	GASKET, MUFFLER	1	-	-----	BL,LVL,QVL
3	94001-08000-0S	NUT, HEX., 8MM	2	-	-----	BL,LVL,QVL

E-16-4

MUFFLER(5)

J 6



Service item	F.R.T.
PROTECTOR, L. MUFFLER	0.1
.PROTECTOR, R. MUFFLER	
GASKET, MUFFLER	0.2
.MUFFLER COMP.	

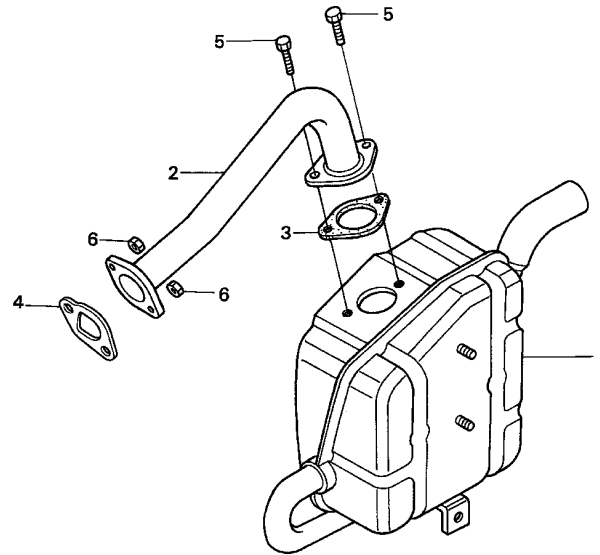
Ref. No.	Part No.	Description	Reqd. QTY		Serial No.	Parts catalogue code
			GX 160K1 (1)	GX 160K1 (2)		
1	18310-734-750	MUFFLER COMP.	1	-	-----	LJS
2	18312-734-000	PROTECTOR, L. MUFFLER	1	-	-----	LJS
3	18313-734-000	PROTECTOR, R. MUFFLER	1	-	-----	LJS
4	18381-ZH8-800	GASKET, MUFFLER	1	-	-----	LJS
5	93500-06006-0B	SCREW, PAN, 6X6	6	-	-----	LJS
6	94001-08000-0S	NUT, HEX., 8MM	2	-	-----	LJS

2

E-16-5

MUFFLER(6)

J 7



Service item	F.R.T.
GASKET, MUFFLER	0.2
.MUFFLER COMP.	
.PIPE COMP., EX.	

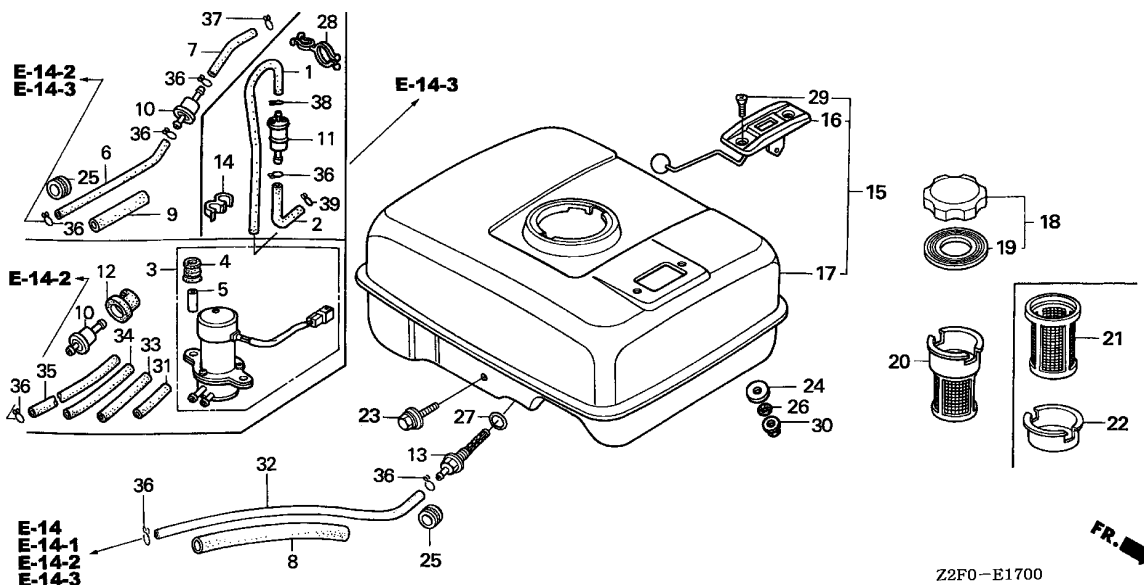
Ref. No.	Part No.	Description	Reqd. QTY		Serial No.	Parts catalogue code
			GX 160K1 (1)	GX 160K1 (2)		
1	18310-ZB6-C01	MUFFLER COMP.	1	-	-----	NJC1,SMJ
2	18330-ZB6-000	PIPE COMP., EX.	1	-	-----	NJC1,SMJ
3	18381-ZE1-800	GASKET, MUFFLER	1	-	-----	NJC1,SMJ
4	18381-ZH8-800	GASKET, MUFFLER	1	-	-----	NJC1,SMJ
5	92101-08020-0A	BOLT, HEX., 8X20	2	-	-----	NJC1,SMJ
6	94001-08000-0S	NUT, HEX., 8MM	2	-	-----	NJC1,SMJ

2

E-17

FUEL TANK(1)

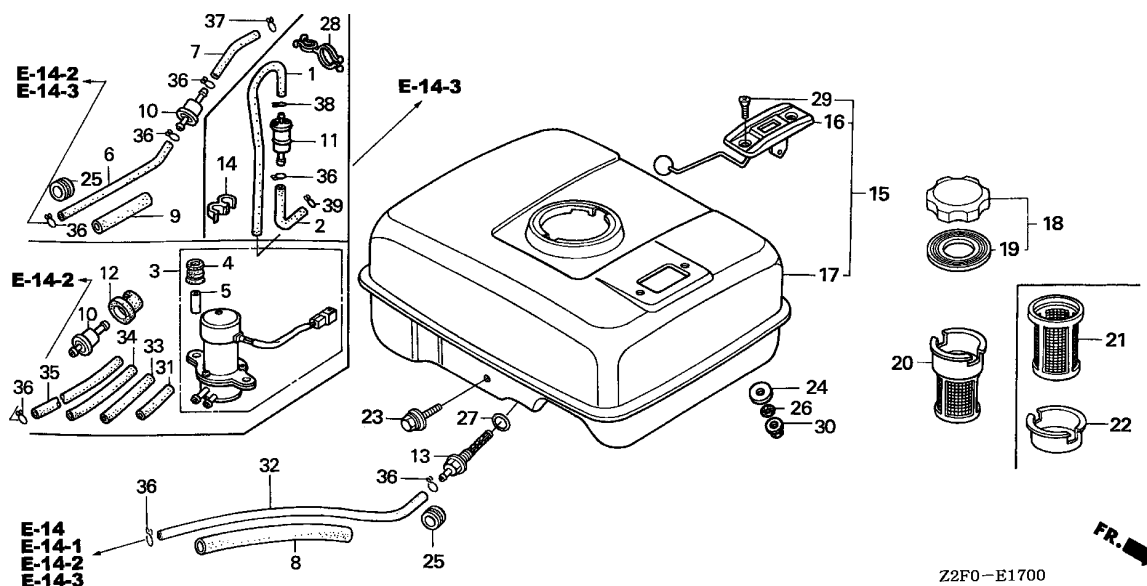
J 8



Service item	F.R.T.
FILTER COMP., FUEL	0.1
.FILTER, FUEL	
.GAUGE ASSY., FUEL	
.STRAINER COMP., FUEL	
JOINT, FUEL TANK	0.2
.O-RING, 14MM	
.PUMP ASSY., FUEL	
.TANK ASSY., FUEL	
.TANK COMP., FUEL	
.TUBE, FUEL, 4.5X140	

Ref. No.	Part No.	Description	Reqd. QTY		Serial No.	Parts catalogue code
			GX 160K1 (1)	GX 160K2 (2)		
1	16198-ZG0-U00	TUBE A, AIR VENT	1	-	AR,ARC6,KR	
2	16199-KCR-000	TUBE	1	-	AR,ARC6,KR	
3	16700-ZA0-971	PUMP ASSY., FUEL (ELECTROMAGNETIC)	1	-	SKM	
4	16711-679-000	RUBBER, FUEL PUMP MOUNTING	2	-	SKM	
5	16712-657-300	COLLAR, FUEL PUMP DISTANCE	2	-	SKM	
6	16851-ZE1-000	TUBE A, FUEL	1	-	ST,STM	
	95001-45110-40	TUBE, FUEL, 4.5X110 (95001-45001-60M)	1	-	VPM4,VPM5,VPM7,VPR4,VPR7	
7	16852-ZE1-000	TUBE B, FUEL	1	-	ST,STM	
	95001-45035-40	TUBE, FUEL, 4.5X35 (95001-45001-60M)	1	-	VPM4,VPM5,VPM7,VPR4,VPR7	
8	16854-ZH8-000	RUBBER, SUPPORTER (107MM)	1	-	BL,HG12,HH,HHQ4,HH26,HX,HXE2,HXE8,HXU,HX2,HX26,HX4,KTA,LA1,LD,LH,LHB3,LHQ4,LJ,LJC7,LJG,LSJ4,LVL,LW2,LX,LXU,LX2,LX26,LX4,NJ,NJG,NSJ,PHM,PX,PXU,QAB3,QAX2,QA2,QA26,QBC2,QBT6,QCB2,QD,QE,QFE4,QGR2,QGR9,QH,QHE,QHP1,QHQ4,QH2,QH26,QI2,QKA4,QMC6,QMC8,QMD6,QME4,QMH,QMX2,QMZ2,QNT,QNT4,QNZ,QP,QPU,QSC2,QSC9,QS2,QT,QVL,QWA4,QWX2,QX,QXC,QXC6,QXC9,QXE,QXE2,QXE4,QXE6,QXE8,QXF2,QXM1,QXS2,QXU,QXW,QX2,QX22,QX26,QX4,QX7,RD,RD4,RH,RHQ4,RH2,RH26,RMB4,RMD,RSK,RSS1,RTB2,RX,RXE,RXE2,RXE4,RXU,RX4,SCJ,SD,SDS,SD16,SD4,SE,SG24,SH,SHM,SHQ4,SHRY,SJ,SJC1,SJC5,SJG,SKM,SMC7,SMC9,SMJ,SMJ1,SMW2,SMX4,SM11,SM12,SM14,SNX,SNX1,SSK1,SSX2,STQ,SWG4,SWX2,SWX4,SX,SXE,SXE4,SXS4,SXU,SX4,SX7,S1CY,TX,TXC9,TXU,TX2,TX26,TX4,UXU,VA2,VEBM,VED,VED1,VED5,VED6,VG24,VHA7,VMS4,VMS7,VSD,VSD1,VSD7,VSX,VSX1,VSX3,VS17,VWA2,VW12,VX,VXD,VXD1,VXE4,VXE7,VXM,VXU,VXW2,VX2,VX4,WDA6,WJP,WKD6,WKT2,WKT4,WKT6,WMB0,WME2,WME4,WMT	
9	16854-ZH8-810	RUBBER, SUPPORTER (50MM)	1	(1)	ST,STM,VPM4,VPM5,VPM7,VPR4,VPR7	

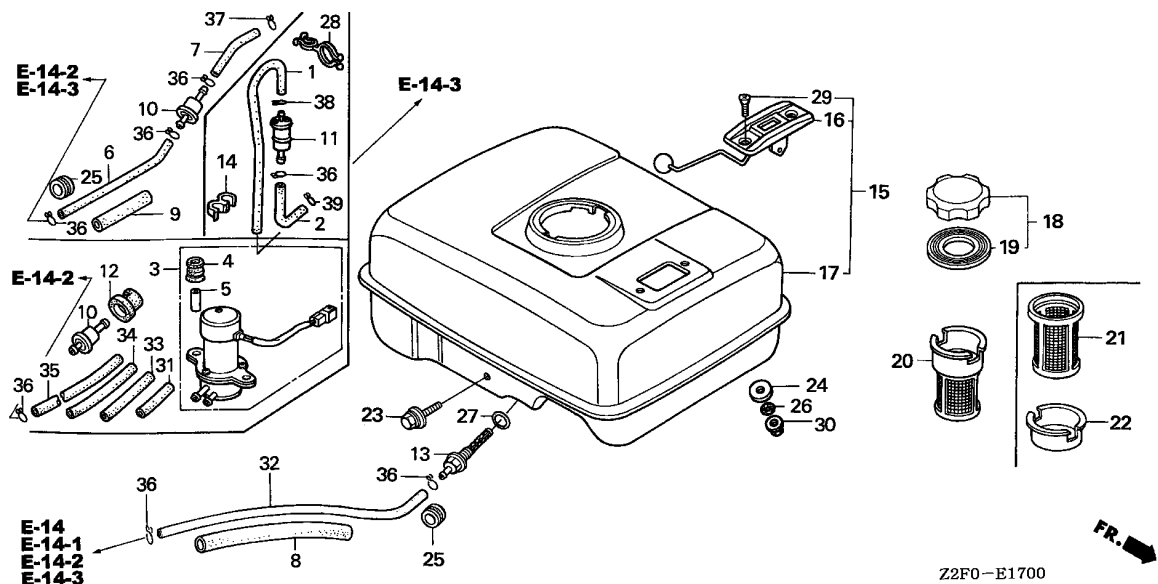
2



Ref. No.	Part No.	Description	Reqd. QTY		Serial No.	Parts catalogue code
			GX 160K1 (1)	GX 160K1 (2)		
10	16910-GB2-005	STRAINER COMP., FUEL	1	-	-----	SKM,VPM4,VPM5,VPM7,VPR4,VPR7
	16952-952-003	STRAINER, FUEL	1	-	-----	ST,STM
11	16910-ZG0-U02	STRAINER COMP., FUEL	1	-	-----	AR,ARC6,KR
12	16915-GB2-000	SUSPENSION, STRAINER	1	-	-----	SKM
13	16955-ZE1-000	JOINT, FUEL TANK	1	-	-----	BL,HG12,HH,HHQ4,HH26,HX,HXE2,HXE8,HXU,HX2,HX26,HX4,KTA,LA1,LD,LH,LHB3,LHQ4,LJ,LJC7,LJG,LSJ4,LVL,LW2,LX,LXU,LX2,LX26,LX4,NJ,NJG,NSJ,PHM,PX,PXU,QAB3,QAX2,QA2,QA26,QBC2,QBT6,QCB2,QD,QE,QFE4,QGR2,QGR9,QH,QHE,QHP1,QHQ4,QH2,QH26,QI2,QKA4,QMC6,QMC8,QMD6,QME4,QMH,QMX2,QMZ2,QNT,QNT4,QNZ,QP,QPU,QSC2,QSC9,QS2,QT,QVL,QWA4,QWX2,QX,QXC,QXC6,QXC9,QXE,QXE2,QXE4,QXE6,QXE8,QXF2,QXM1,QXS2,QXU,QXW,QX2,QX22,QX26,QX4,QX7,RD,RD4,RH,RHQ4,RH2,RH26,RMB4,RMD,RSK,RSS1,RTB2,RX,RXE,RXE2,RXE4,RXU,RX4,SCJ,SD,SDS,SD16,SD4,SE,SG24,SH,SHM,SHQ4,SHRY,SJ,SJC1,SJC5,SJG,SMC7,SMC9,SMJ,SMJ1,SMW2,SMX4,SM11,SM12,SM14,SNX,SNX1,SSK1,SSX2,STQ,SWX2,SWX4,SX,SXE,SXE4,SXS4,SXU,SX4,SX7,S1CY,TX,TXC9,TXU,TX2,TX26,TX4,UXU,VA2,VEBM,VED,VED1,VED5,VED6,VG24,VMS4,VMS7,VSD,VSD7,VSX,VSX1,VSX3,VWA2,VX,VXD,VXD1,VXE4,VXE7,VXM,VXU,VXU1,VX2,VX4,WDA6,WJP,WKD6,WKT2,WKT4,WKT6,WMB0,WME2,WME4,WMT
14	17205-PC6-000	CLAMP, TUBE, 7.5X2	-	(1)	-----	AR,ARC6,KR
15	17500-ZE1-813ZA	TANK ASSY., FUEL (GAUGE) *NH31*.....MCKINLEY WHITE	1	-	-----	LJG,NJG,NSJ,QSC2,RSS1,SJG,SMJ,SMJ1,SNX,SNX1,VED5,VSX3
	17500-ZE1-813ZC	*NH1*.....BLACK	-	(1)	-----	Q1,S1,VED5
16	17505-ZE1-013	GAUGE ASSY., FUEL	1	-	-----	LJG,NJG,NSJ,QSC2,RSS1,SJG,SMJ,SMJ1,SNX,SNX1,VED5,VSX3
			-	(1)	-----	

Ref. No.	Part No.	Description	Reqd. QTY		Serial No.	Parts catalogue code	
			GX 160K1 (1)	GX 160K1 (2)			
17	17510-ZE1-020ZA	TANK COMP., FUEL *NH31*.....MCKINLEY WHITE	1	-	-----	BL, HG12, HH, HHQ4, HH26, HX, HXE2, HXE8, HXU, HX2, HX26, HX4, KTA, LD, LH, LHB3, LHQ4, LJ, LJC7, LSJ4, LVL, LW2, LX, LXU, LX2, LX26, LX4, NJ, PHM, PX, PXU, QAB3, QAX2, QA2, QA26, QBC2, QBT6, QCB2, QD, QE, QFE4, QGR2, QGR9, QH, QHE, QHP1, QHQ4, QH2, QH26, QI2, QKA4, QMC6, QMC8, QMD6, QME4, QMH, QMX2, QMZ2, QNT, QNT4, QNZ, QP, QPU, QSC9, QS2, QT, QVL, QWA4, QX, QXC, QXC6, QXC9, QXE, QXE2, QXE4, QXE6, QXE8, QXF2, QXM1, QXS2, QXU, QXW, QX2, QX22, QX26, QX4, QX7, RD, RD4, RH, RHQ4, RH2, RH26, RMB4, RMD, RSK, RTB2, RX, RXE, RXE2, RXE4, RXU, RX4, SCJ, SD, SDS, SD16, SD4, SE, SG24, SH, SHM, SHQ4, SHRY, SJ, SJC1, SJC5, SMC7, SMC9, SMW2, SMX4, SM11, SM12, SM14, SSK1, SSX2, STQ, SX, SXE, SXE4, SXS4, SXU, SX4, SX7, S1CY, TX, TXC9, TXU, TX2, TX26, TX4, UXU, VA2, VEBM, VED, VED1, VED6, VG24, VMS4, VMS7, VSD, VSD7, VSX, VSX1, VX, VXD, VXD1, VXE4, VXE7, VXM, VXU, VXU1, VX2, VX4, WDA6, WJP, WKD6, WKT2, WKT4, WKT6, WMBO, WME2, WME4, WMT	
	17510-ZE1-020ZF	*NH1*.....BLACK	1	(1)	-----	HX2, QCB2, QMC8, QMX2, QNT, QSC9, QWA4, QWX2, QX, QXC9, QXE2, QX2, Q1, RH2, SG24, SMX4, SM12, SM14, SSK1, SSX2, S1, TX2, TX4, VED, VED1, VED6, VG24, VSD, VSX, VSX1, VWA2	
	17510-ZE1-020ZG	*NH105*...MAT BLACK (#15-#20)	1	-	-----	QWX2, SWX2, SWX4, VSD7, VWA2	
	17510-ZE1-020ZJ	*T74*.....DENY RED	1	-	-----	VXD, VXD1	
	17510-ZE1-020ZK	*Y131*.....LIGHTNING YELLOW	1	-	-----	VSX, VSX1	
	17510-ZE1-020ZL	*T77*.....SEC WINE RED	1	-	-----	VSX, VSX1	
	17510-ZE1-020ZN	*R280*.....POWER RED	1	-	-----	LA1, VSX, VSX1	
18	17620-ZOT-305	CAP COMP., FUEL FILLER	1	-	-----	BL, HG12, HH, HHQ4, HH26, HX, HXE2, HXE8, HXU, HX2, HX26, HX4, KTA, LA1, LD, LH, LHB3, LHQ4, LJ, LJC7, LJG, LSJ4, LVL, LW2, LX, LXU, LX2, LX26, LX4, NJ, NJG, NSJ, PHM, PX, PXU, QAB3, QAX2, QA2, QA26, QBC2, QBT6, QCB2, QD, QE, QFE4, QGR2, QGR9, QH, QHE, QHP1, QHQ4, QH2, QH26, QI2, QKA4, QMC6, QMC8, QMD6, QME4, QMH, QMX2, QMZ2, QNT, QNT4, QNZ, QP, QPU, QSC2, QSC9, QS2, QT, QVL, QWA4, QWX2, QX, QXC, QXC6, QXC9, QXE, QXE2, QXE4, QXE6, QXE8, QXF2, QXM1, QXS2, QXU, QXW, QX2, QX22, QX26, QX4, QX7, RD, RD4, RH, RHQ4, RH2, RH26, RMB4, RMD, RSK, RSS1, RTB2, RX, RXE, RXE2, RXE4, RXU, RX4, SCJ, SD, SDS, SD16, SD4, SE, SG24, SH, SHM, SHQ4, SHRY, SJ, SJC1, SJC5, SJG, SMC7, SMC9, SMJ, SMJ1, SMW2, SMX4, SM11, SM12, SM14, SNX, SNX1, SSK1, SSX2, STQ, SWX2, SWX4, SX, SXE, SXE4, SXS4, SXU, SX4, SX7, S1CY, TX, TXC9, TXU, TX2, TX26, TX4, UXU, VA2, VEBM, VED, VED1, VED5, VED6, VG24, VMS4, VMS7, VSD, VSD7, VSX, VSX1, VSX3, VWA2, VX, VXD, VXD1, VXE4, VXE7, VXM, VXU, VXU1, VX2, VX4, WDA6, WJP, WKD6, WKT2, WKT4, WKT6, WMBO, WME2, WME4, WMT	
	19	17631-ZOT-812	PACKING, FUEL FILLER CAP (39X62X3)	1	-	-----	BL, HG12, HH, HHQ4, HH26, HX, HXE2, HXE8, HXU, HX2, HX26, HX4, KTA, LA1, LD, LH, LHB3, LHQ4, LJ, LJC7, LJG, LSJ4, LVL, LW2, LX, LXU, LX2, LX26, LX4, NJ, NJG, NSJ, PHM, PX, PXU, QAB3, QAX2, QA2, QA26, QBC2, QBT6, QCB2, QD, QE, QFE4, QGR2, QGR9, QH, QHE, QHP1, QHQ4, QH2, QH26, QI2, QKA4, QMC6, QMC8, QMD6, QME4, QMH, QMX2, QMZ2, QNT, QNT4, QNZ, QP, QPU, QSC2, QSC9, QS2, QT, QVL, QWA4, QWX2, QX, QXC, QXC6, QXC9, QXE, QXE2, QXE4, QXE6, QXE8, QXF2, QXM1, QXS2, QXU, QXW, QX2, QX22, QX26, QX4, QX7, RD, RD4, RH, RHQ4, RH2, RH26, RMB4, RMD, RSK, RSS1, RTB2, RX, RXE, RXE2, RXE4, RXU, RX4, SCJ, SD, SDS, SD16, SD4, SE, SG24, SH, SHM, SHQ4, SHRY, SJ, SJC1, SJC5, SJG, SMC7, SMC9, SMJ, SMJ1, SMW2, SMX4, SM11, SM12, SM14, SNX, SNX1, SSK1, SSX2, STQ, SWX2, SWX4, SX, SXE, SXE4, SXS4, SXU, SX4, SX7, S1CY, TX, TXC9, TXU, TX2, TX26, TX4, UXU, VA2, VEBM, VED, VED1, VED5, VED6, VG24, VMS4, VMS7, VSD, VSD7, VSX, VSX1, VSX3, VWA2, VX, VXD, VXD1, VXE4, VXE7, VXM, VXU, VXU1, VX2, VX4, WDA6, WJP, WKD6, WKT2, WKT4, WKT6, WMBO, WME2, WME4, WMT
	20	17670-ZH8-D01	FILTER COMP., FUEL	1	-	-----	VXD, VXD1
		17672-ZE2-W01	FILTER, FUEL	1	-	-----	BL, KTA, LA1, LHB3, LJ, LJG, LSJ4, LVL, LW2, NJ, NJG, NSJ, QAB3, QA2, QA26, QBC2, QMH, QMX2, QMZ2, QNT, QNT4, QSC2, QT, QVL, QXM1, RMD, RSS1, SCJ, SHRY, SJ, SJG, SMJ, SMJ1, SMW2, SMX4, SM11, SM12, SM14, SNX, SNX1, SSK1, SSX2, STQ, S1CY, VED, VED1, VED5, VED6, VSX, VSX1, VSX3, WDA6, WJP, WKD6, WKT2, WKT4, WKT6, WME2



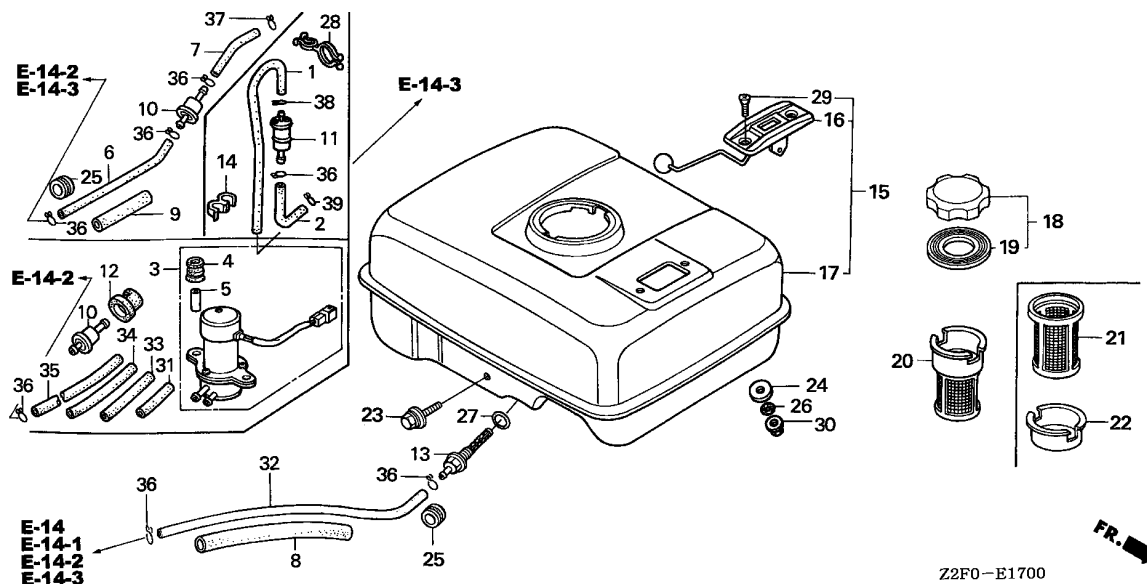


Z2F0-E1700

Ref. No.	Part No.	Description	Reqd. QTY		Serial No.	Parts catalogue code
			GX 160K1 (1)	GX 160K1 (2)		
21	17672-880-000	FILTER, FUEL	1	-	-----	LJC7,QSC9,SJC1,SJC5
22	17673-893-000	HOLDER, FUEL FILTER	1	-	-----	LJC7,QSC9,SJC1,SJC5
23	90004-ZH7-003	BOLT, FLANGE, 6X29	1	-	-----	BL,HG12,HH,HHQ4,HH26,HX,HXE2,HXE8,HXU,HX2,HX26,HX4,KTA,LA1,LD,LH,LHB3,LHQ4,LJ,LJC7,LJG,LSJ4,LVL,LW2,LX,LXU,LX2,LX26,LX4,NJ,NJG,NSJ,PHM,PX,PXU,QAB3,QAX2,QA2,QA26,QBC2,QBT6,QCB2,QD,QE,QFE4,QGR2,QGR9,QH,QHE,QHP1,QHQ4,QH2,QH26,QI2,QKA4,QMC6,QMC8,QMD6,QME4,QMH,QMX2,QMZ2,QNT,QNT4,QNZ,QP,QPU,QSC2,QSC9,QS2,QT,QVL,QWA4,QWX2,QX,QXC,QXC6,QXC9,QXE,QXE2,QXE4,QXE6,QXE8,QXF2,QXM1,QXS2,QXU,QXW,QX2,QX22,QX26,QX4,QX7,RD,RD4,RH,RHQ4,RH2,RH26,RMB4,RMD,RSK,RSS1,RTB2,RX,RXE,RXE2,RXE4,RXU,RX4,SCJ,SD,SDS,SD16,SD4,SE,SG24,SH,SHM,SHQ4,SHRY,SJ,SJC1,SJC5,SJG,SMC7,SMC9,SMJ,SMJ1,SMW2,SMX4,SM11,SM12,SM14,SNX,SNX1,SSK1,SSX2,STQ,SWX2,SWX4,SX,SXE,SXE4,SXS4,SXU,SX4,SX7,S1CY,TX,TXC9,TXU,TX2,TX26,TX4,UXU,VA2,VEBM,VED,VED1,VED5,VED6,VG24,VMS4,VMS7,VSD,VSD7,VSX,VSX1,VSX3,VWA2,VX,VXD,VXD1,VXE4,VXE7,VXM,VXU,VXU1,VX2,VX4,WDA6,WJP,WKD6,WKT2,WKT4,WKT6,WMB0,WME2,WME4,WMT
24	90404-680-000	WASHER, 6.5X25X1.5	-	(1)	-----	QMX2,SMX4
25	90854-ZB3-000	RUBBER, FUEL (9X15X20)	1	-	-----	VEN2,VPM4,VPM5,VPM7,VPR4,VPR7
26	91319-ME5-003	O-RING, 5.5X1.4	2	-	-----	QMX2,SMX4

Ref. No.	Part No.	Description	Reqd. QTY		Serial No.	Parts catalogue code
			GX 160K1 (1)	GX 160K1 (2)		
27	91353-671-004	O-RING, 14MM(NOK)	1	-		BL, HG12, HH, HHQ4, HH26, HX, HXE2, HXE8, HXU, HX2, HX26, HX4, KTA, LA1, LD, LH, LHB3, LHQ4, LJ, LJC7, LJG, LJSJ4, LVL, LW2, LX, LXU, LX2, LX26, LX4, NJ, NJG, NSJ, PHM, PX, PXU, QAB3, QAX2, QA2, QA26, QBC2, QBT6, QCB2, QD, QE, QFE4, QGR2, QGR9, QH, QHE, QHP1, QHQ4, QH2, QH26, QI2, QKA4, QMC6, QMC8, QMD6, QME4, QMH, QMX2, QMZ2, QNT, QNT4, QNZ, QP, QPU, QSC2, QSC9, QS2, QT, QVL, QWA4, QWX2, QX, QXC, QXC6, QXC9, QXE, QXE2, QXE4, QXE6, QXE8, QXF2, QXM1, QXS2, QXU, QXW, QX2, QX22, QX26, QX4, QX7, RD, RD4, RH, RHQ4, RH2, RH26, RMB4, RMD, RSK, RSS1, RTB2, RX, RXE, RXE2, RXE4, RXU, RX4, SCJ, SD, SDS, SD16, SD4, SE, SG24, SH, SHM, SHQ4, SHRY, SJ, SJC1, SJC5, SJG, SMC7, SMC9, SMJ, SMJ1, SMW2, SMX4, SM11, SM12, SM14, SNX, SNX1, SSK1, SSS2, STQ, SWX2, SWX4, SX, SXE, SXE4, SXS4, SXU, SX4, SX7, S1CY, TX, TXC9, TXU, TX2, TX26, TX4, UXU, VA2, VEBM, VED, VED1, VED5, VED6, VG24, VMS4, VMS7, VSD, VSD7, VSX, VSX1, VSX3, VWA2, VX, VXD, VXD1, VXE4, VXE7, VXM, VXU, VXU1, VX2, VX4, WDA6, WJP, WKD6, WKT2, WKT4, WKT6, WMBO, WME2, WME4, WMT
28	91473-PA1-003	CLIP, WATER HOSE	1	(1)		AR, ARC6, KR
29	93600-05010-0A	SCREW, FLAT, 5X10	2	(2)		LJG, NJG, NSJ, QSC2, RSS1, SJG, SMJ, SMJ1, SNX, SNX1, VED5, VSX3
30	94050-06000	NUT, FLANGE, 6MM	2	(2)		BL, HG12, HH, HHQ4, HH26, HX, HXE2, HXE8, HXU, HX2, HX26, HX4, KTA, LA1, LD, LH, LHB3, LHQ4, LJ, LJC7, LJG, LJSJ4, LVL, LW2, LX, LXU, LX2, LX26, LX4, NJ, NJG, NSJ, PHM, PX, PXU, QAB3, QAX2, QA2, QA26, QBC2, QBT6, QCB2, QD, QE, QFE4, QGR2, QGR9, QH, QHE, QHP1, QHQ4, QH2, QH26, QI2, QKA4, QMC6, QMC8, QMD6, QME4, QMH, QMX2, QMZ2, QNT, QNT4, QNZ, QP, QPU, QSC2, QSC9, QS2, QT, QVL, QWA4, QWX2, QX, QXC, QXC6, QXC9, QXE, QXE2, QXE4, QXE6, QXE8, QXF2, QXM1, QXS2, QXU, QXW, QX2, QX22, QX26, QX4, QX7, RD, RD4, RH, RHQ4, RH2, RH26, RMB4, RMD, RSK, RSS1, RTB2, RX, RXE, RXE2, RXE4, RXU, RX4, SCJ, SD, SDS, SD16, SD4, SE, SG24, SH, SHM, SHQ4, SHRY, SJ, SJC1, SJC5, SJG, SMC7, SMC9, SMJ, SMJ1, SMW2, SMX4, SM11, SM12, SM14, SNX, SNX1, SSK1, SSS2, STQ, SWX2, SWX4, SX, SXE, SXE4, SXS4, SXU, SX4, SX7, S1CY, TX, TXC9, TXU, TX2, TX26, TX4, UXU, VA2, VEBM, VED, VED1, VED5, VED6, VG24, VMS4, VMS7, VSD, VSD7, VSX, VSX1, VSX3, VWA2, VX, VXD, VXD1, VXE4, VXE7, VXM, VXU, VXU1, VX2, VX4, WDA6, WJP, WKD6, WKT2, WKT4, WKT6, WMBO, WME2, WME4, WMT
31	95001-45040-40	TUBE, FUEL, 4.5X40 (95001-45001-60M)	1	(1)		SKM
32	95001-45140-40	TUBE, FUEL, 4.5X140 (95001-45001-60M)	1	(1)		BL, HG12, HH, HHQ4, HH26, HX, HXE2, HXE8, HXU, HX2, HX26, HX4, KTA, LA1, LD, LH, LHB3, LHQ4, LJ, LJC7, LJG, LJSJ4, LVL, LW2, LX, LXU, LX2, LX26, LX4, NJ, NJG, NSJ, PHM, PX, PXU, QAB3, QAX2, QA2, QA26, QBC2, QBT6, QCB2, QD, QE, QFE4, QGR2, QGR9, QH, QHE, QHP1, QHQ4, QH2, QH26, QI2, QKA4, QMC6, QMC8, QMD6, QME4, QMH, QMX2, QMZ2, QNT, QNT4, QNZ, QP, QPU, QSC2, QSC9, QS2, QT, QVL, QWA4, QWX2, QX, QXC, QXC6, QXC9, QXE, QXE2, QXE4, QXE6, QXE8, QXF2, QXM1, QXS2, QXU, QXW, QX2, QX22, QX26, QX4, QX7, RD, RD4, RH, RHQ4, RH2, RH26, RMB4, RMD, RSK, RSS1, RTB2, RX, RXE, RXE2, RXE4, RXU, RX4, SCJ, SD, SDS, SD16, SD4, SE, SG24, SH, SHM, SHQ4, SHRY, SJ, SJC1, SJC5, SJG, SMC7, SMC9, SMJ, SMJ1, SMW2, SMX4, SM11, SM12, SM14, SNX, SNX1, SSK1, SSS2, STQ, SWX2, SWX4, SX, SXE, SXE4, SXS4, SXU, SX4, SX7, S1CY, TX, TXC9, TXU, TX2, TX26, TX4, UXU, VA2, VEBM, VED, VED1, VED5, VED6, VG24, VHA7, VMS4, VMS7, VSD, VSD7, VSX, VSX1, VSX3, VWA2, VW12, VX, VXD, VXD1, VXE4, VXE7, VXM, VXU, VXU1, VXW2, VX2, VX4, WDA6, WJP, WKD6, WKT2, WKT4, WKT6, WMBO, WME2, WME4, WMT
	95001-45150-40	TUBE, FUEL, 4.5X150 (95001-45001-60M)	1	(1)		VEN2
	95001-45300-40	TUBE, FUEL, 4.5X300 (95001-45001-60M)	1	(1)		SWG4
	95001-45430-40	TUBE, FUEL, 4.5X430 (95001-45001-60M)	1	(1)		VSD1, VS17
33	95001-45180-40	TUBE, FUEL, 4.5X180 (95001-45001-60M)	1	(1)		SKM





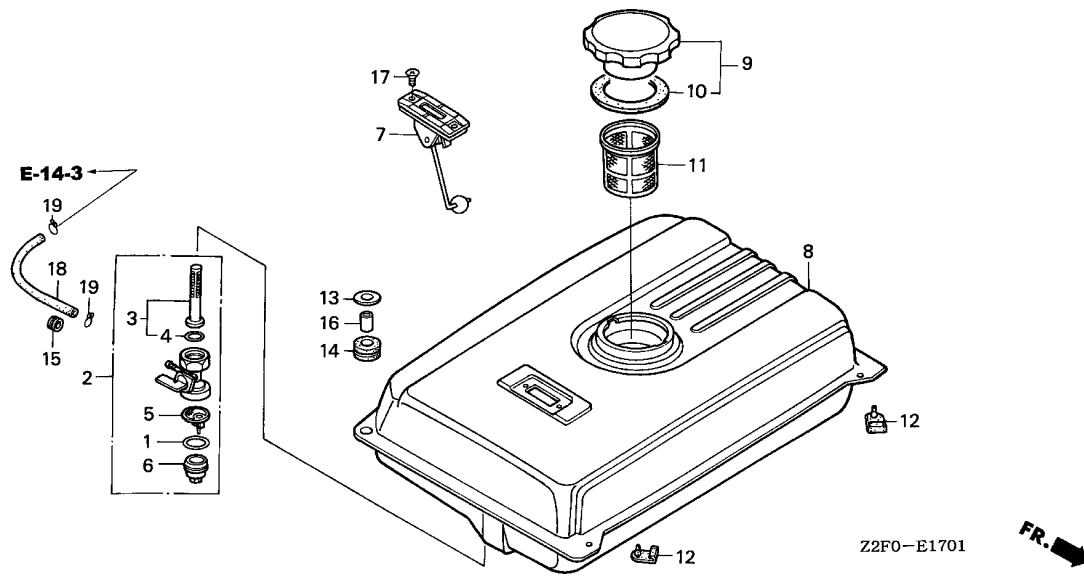
2

Ref. No.	Part No.	Description	Reqd. QTY		Serial No.	Parts catalogue code
			GX 160K1 (1)	GX 160K1 (2)		
34	95001-45240-40	TUBE, FUEL, 4.5X240 (95001-45001-60M)	1	-	-----	SKM
35	95001-45770-40	TUBE, FUEL, 4.5X770 (95001-45001-60M)	1	-	-----	SKM
36	95002-02080	CLIP, TUBE (B8)	1	-	-----	AR,ARC6,KR,SKM
			2	-	-----	BL,HG12,HH,HHQ4,HH26,HX,HXE2,HXE8,HXU,HX2,HX26,HX4,KTA,LA1,LD,LH,LHB3 LHQ4,LJ,LJC7,LJG,LSJ4,LVL,LW2,LX,LXU,LX2,LX26,LX4,NJ,NJG,NSJ,PHM,PX PXU,QAB3,QAX2,QA2,QA26,QBC2,QBT6,QCB2,QD,QE,QFE4,QGR2,QGR9,QH,QHE QHP1,QHQ4,QH2,QH26,QI2,QKA4,QMC6,QMC8,QMD6,QME4,QMH,QMX2,QMZ2,QNT QNT4,QNZ,QP,QPU,QSC2,QSC9,QS2,QT,QVL,QWA4,QWX2,QX,QXC,QXC6,QXC9,QXE QXE2,QXE4,QXE6,QXE8,QXF2,QXM1,QXS2,QXU,QXW,QX2,QX22,QX26,QX4,QX7,RD RD4,RH,RHQ4,RH2,RH26,RMB4,RMD,RSK,RSS1,RTB2,RX,RXE,RXE2,RXE4,RXU,RX4 SCJ,SD,SDS,SD16,SD4,SE,SG24,SH,SHM,SHQ4,SHRY,SJ,SJC1,SJC5,SJG,SMC7 SMC9,SMJ,SMJ1,SMW2,SMX4,SM11,SM12,SM14,SNX,SNX1,SSK1,SSX2,ST,STM,STQ SWG4,SWX2,SWX4,SX,SXE,SXE4,SXS4,SXU,SX4,SX7,S1CY,TX,TCX9,TXU,TX2,TX26 TX4,UXU,VA2,VEBM,VED,VED1,VED5,VED6,VEN2,VG24,VHA7,VMS4,VMS7,VSD,VSD1 VSD7,VSG,VSX,VSX1,VSX3,VS17,VWA2,VW12,VX,VXD,VXD1,VXE4,VXE7,VXM,VXU VXU1,VXW2,VX2,VX4,WDA6,WJP,WKD6,WKT2,WKT4,WKT6,WMB0,WME2,WME4,WMT
			3	-	-----	VPM4,VPM5,VPM7,VPR4,VPR7
			-	(2)	-----	
37	95002-02080	CLIP, TUBE (B8)	1	-	-----	VPM4,VPM5,VPM7,VPR4,VPR7
	95002-02100	CLIP, TUBE (B10)	1	-	-----	ST,STM
38	95002-02100	CLIP, TUBE (B10)	1	-	-----	AR,ARC6,KR
39	95002-50000	CLIP, TUBE (C9)	1	-	-----	AR,ARC6,KR

E-17-1

FUEL TANK(2)

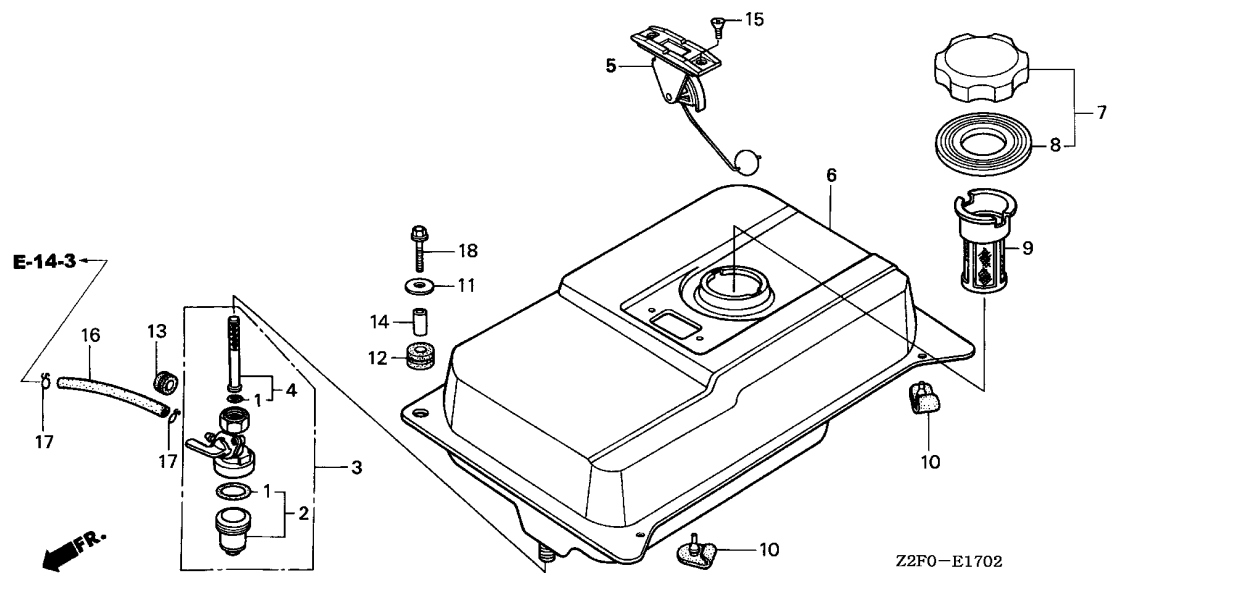
J14



Service item	F.R.T.
FILTER COMP., FUEL	0.1
.METER ASSY., FUEL	
COCK ASSY., FUEL	0.2
.FILTER, CUP	
.SCREEN, FUEL STRAINER	
.TANK COMP., FUEL	
.TUBE, FUEL, 4.5X180	

Ref. No.	Part No.	Description	Reqd. QTY		Serial No.	Parts catalogue code
			GX 160K1 (1)	GX 160K1 (2)		
1	16173-001-004	PACKING, FUEL STRAINER CUP ..	1	-	-----	VSB1,VSG,VS3,VS4
2	16950-ZB4-015	COCK ASSY., FUEL	1	-	-----	VSB1,VSG,VS3,VS4
3	16952-ZB4-005	SCREEN, FUEL STRAINER	1	-	-----	VSB1,VSG,VS3,VS4
4	16958-397-771	O-RING	1	-	-----	VSB1,VSG,VS3,VS4
5	16959-471-831	FILTER, CUP	1	-	-----	VSB1,VSG,VS3,VS4
6	16967-GA6-671	CUP, FUEL STRAINER	1	-	-----	VSB1,VSG,VS3,VS4
7	17505-ZB2-003	METER ASSY., FUEL	1	-	-----	VSB1,VSG,VS3,VS4
8	17510-ZB4-000ZH	TANK COMP., FUEL				
		R280.....POWER RED	1	-	-----	VSG
9	17620-899-013	CAP COMP., FUEL FILLER	1	-	-----	VSB1,VSG,VS3,VS4
10	17631-899-000	PACKING, FUEL FILLER CAP	1	-	-----	VSB1,VSG,VS3,VS4
11	17670-899-000	FILTER COMP., FUEL	1	-	-----	VSB1,VSG,VS3,VS4
12	50319-ZB2-000	RUBBER, TANK MOUNTING	2	-	-----	VSG
13	90503-898-000	WASHER, TANK CUSHION	4	-	-----	VSB1,VSG,VS3,VS4
14	90851-898-000	RUBBER, TANK CUSHION	4	-	-----	VSB1,VSG,VS3,VS4
15	90854-ZB3-000	RUBBER, FUEL (9X15X20)	1	-	-----	VSB1,VSG,VS3,VS4
16	91551-898-000	COLLAR, TANK CUSHION	4	-	-----	VSB1,VSG,VS3,VS4
17	93600-05010-0A	SCREW, FLAT, 5X10	2	-	-----	VSB1,VSG,VS3,VS4
18	95001-45180-40	TUBE, FUEL, 4.5X180				
		(95001-45001-60M)	1	-	-----	VSB1,VSG,VS3,VS4
19	95002-02080	CLIP, TUBE (B8)	2	-	-----	VSB1,VSG,VS3,VS4

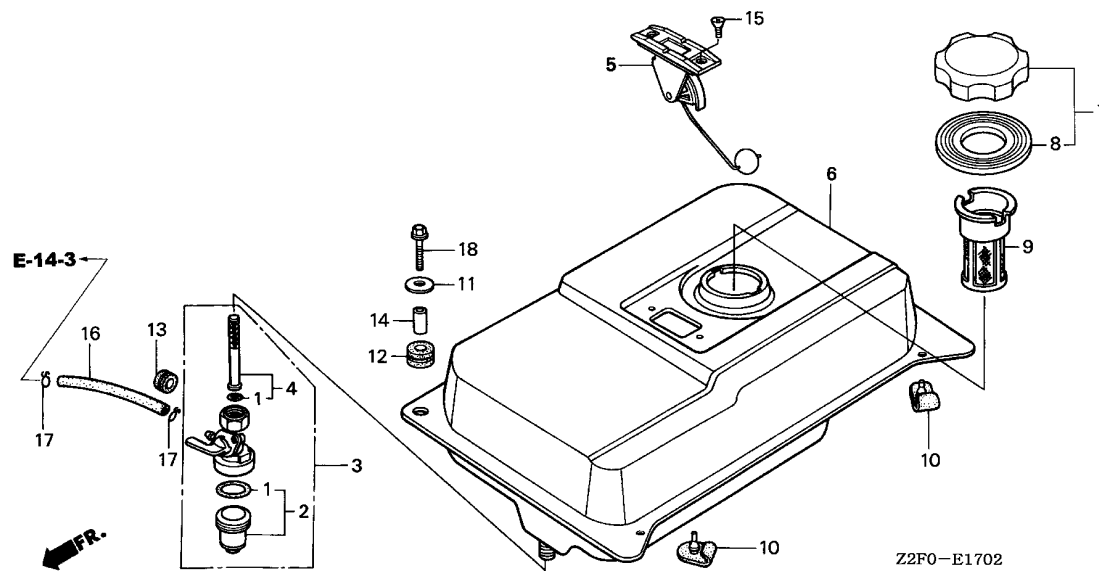
2



Service item	F.R.T.
METER ASSY., FUEL	0.1
COCK ASSY., FUEL	0.2
.PACKING SET, COCK	
.SCREEN SET	
.TANK COMP., FUEL	
.TUBE, FUEL, 4.5X95	

Ref. No.	Part No.	Description	Reqd. QTY		Serial No.	Parts catalogue code
			GX 160K1 (1)	GX 160K1 (2)		
1	16080-898-631	PACKING SET, COCK	1	-	-----	EMA2,VED2,VED3,VES,VMT
2	16081-471-831	CUP, FUEL STRAINER	1	-	-----	EMA2,VED2,VED3,VES,VMT
3	16950-898-633	COCK ASSY., FUEL	1	-	-----	EMA2,VED2,VED3,VES,VMT
4	16952-GG2-731	SCREEN SET	1	-	-----	EMA2,VED2,VED3,VES,VMT
5	17505-ZB2-003	METER ASSY., FUEL	1	-	-----	VED2,VES,VMT
6	17510-ZB2-000ZA	TANK COMP., FUEL				
	NH31MCKINLEY WHITE	1	-	-----	VED2,VES
	17510-ZB2-000ZG	*T68*.....TSURUMI BLUE	1	-	-----	VED2
	17510-ZB2-000ZH	*Y131*.....LIGHTNING YELLOW	1	-	-----	VED2
	17510-ZB2-000ZL	*NH1*.....BLACK	1	-	-----	VED2
	17510-ZB2-000ZM	*R280*.....POWER RED	1	-	-----	VED2
7	17620-ZOT-305	CAP COMP., FUEL FILLER	1	-	-----	VED2,VES,VMT
8	17631-ZOT-812	PACKING, FUEL FILLER CAP (39X62X3)	1	-	-----	VED2,VES,VMT
9	17670-ZH7-A21	FILTER COMP., FUEL	1	-	-----	VED2,VES
	17672-ZE2-W01	FILTER, FUEL	1	-	-----	VMT
10	50319-ZB2-000	RUBBER, TANK MOUNTING	2	-	-----	VED2,VED3,VES,VMT
11	90506-500-000	WASHER, AIR DUCT	2	-	-----	VED2,VES
12	90852-898-000	RUBBER, CONTROL BOX	2	-	-----	VED2,VES,VMT
13	90854-ZB3-000	RUBBER, FUEL (9X15X20)	1	-	-----	EMA2,VED2,VED3,VES,VMT
14	91552-898-000	COLLAR, CONTROL BOX	2	-	-----	VED2,VES,VMT
15	93600-05010-0A	SCREW, FLAT, 5X10	2	-	-----	VED2,VES,VMT
16	95001-45095-40	TUBE, FUEL, 4.5X95 (95001-45001-60M)	1	-	-----	VED3





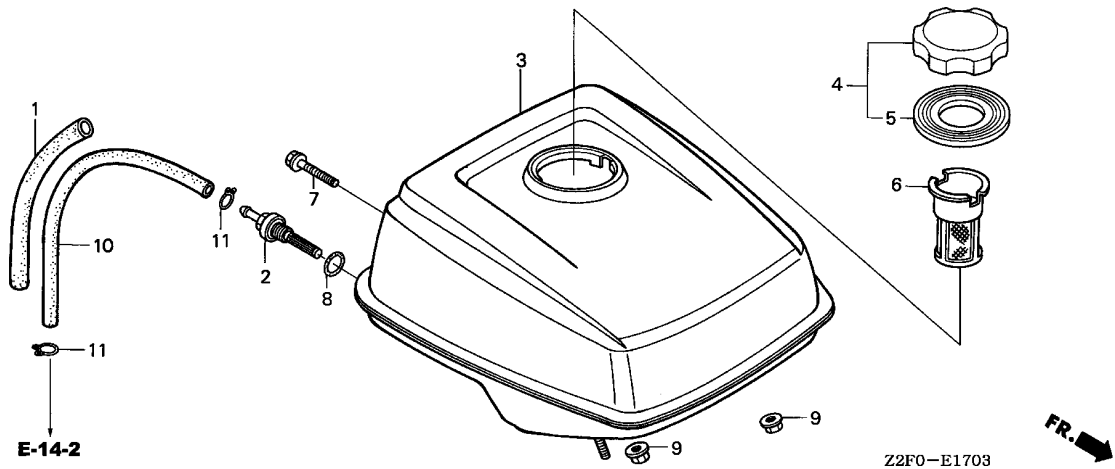
Ref. No.	Part No.	Description	Reqd. QTY		Serial No.	Parts catalogue code
			GX 160K1 (1)	GX 160K1 (2)		
16)	95001-45150-40	TUBE, FUEL, 4.5X150 (95001-45001-60M)	1	-	-----	VED2,VES
	95001-45180-40	TUBE, FUEL, 4.5X180 (95001-45001-60M)	1	-	-----	EMA2
	95001-45250-40	TUBE, FUEL, 4.5X250 (95001-45001-60M)	1	-	-----	VMT
17	95002-02080	CLIP, TUBE (B8)	2	-	-----	EMA2,VED2,VED3,VES,VMT
18	95701-06020-00	BOLT, FLANGE, 6X20	2	-	-----	VED2,VES



E-17-3

FUEL TANK(4)

K 1



Service item	F.R.T.
FILTER COMP., FUEL	0.1
JOINT, FUEL TANK	0.2
O-RING, 14MM	
TANK COMP., FUEL	
TUBE, FUEL, 4.5X140	

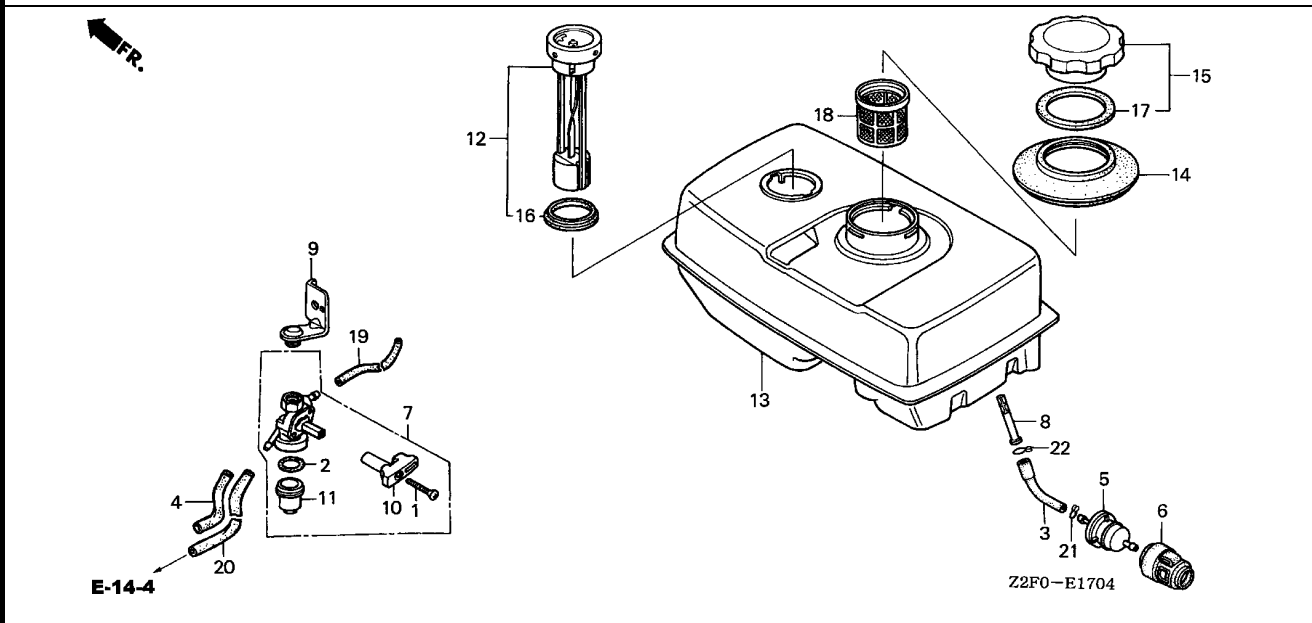
2

Ref. No.	Part No.	Description	Reqd. QTY		Serial No.	Parts catalogue code
			GX 160K1 (1)	GX 160K1 (2)		
1	16854-ZH8-000	RUBBER, SUPPORTER (107MM) ...	1	-	-----	LJS
2	16955-ZE1-000	JOINT, FUEL TANK	1	-	-----	LJS
3	17510-734-701ZA	TANK COMP., FUEL *NH31*.....MCKINLEY WHITE	1	-	-----	LJS
4	17620-Z0T-305	CAP COMP., FUEL FILLER	1	-	-----	LJS
5	17631-Z0T-812	PACKING, FUEL FILLER CAP (39X62X3)	1	-	-----	LJS
6	17670-ZH7-A81	FILTER COMP., FUEL	1	-	-----	LJS
7	90004-ZH7-003	BOLT, FLANGE, 6X29	1	-	-----	LJS
8	91353-671-004	O-RING, 14MM(NOK)	1	-	-----	LJS
9	94050-06000	NUT, FLANGE, 6MM	2	-	-----	LJS
10	95001-45140-40	TUBE, FUEL, 4.5X140 (95001-45001-60M)	1	-	-----	LJS
11	95002-02080	CLIP, TUBE (B8)	2	-	-----	LJS

E-17-4

FUEL TANK(5)

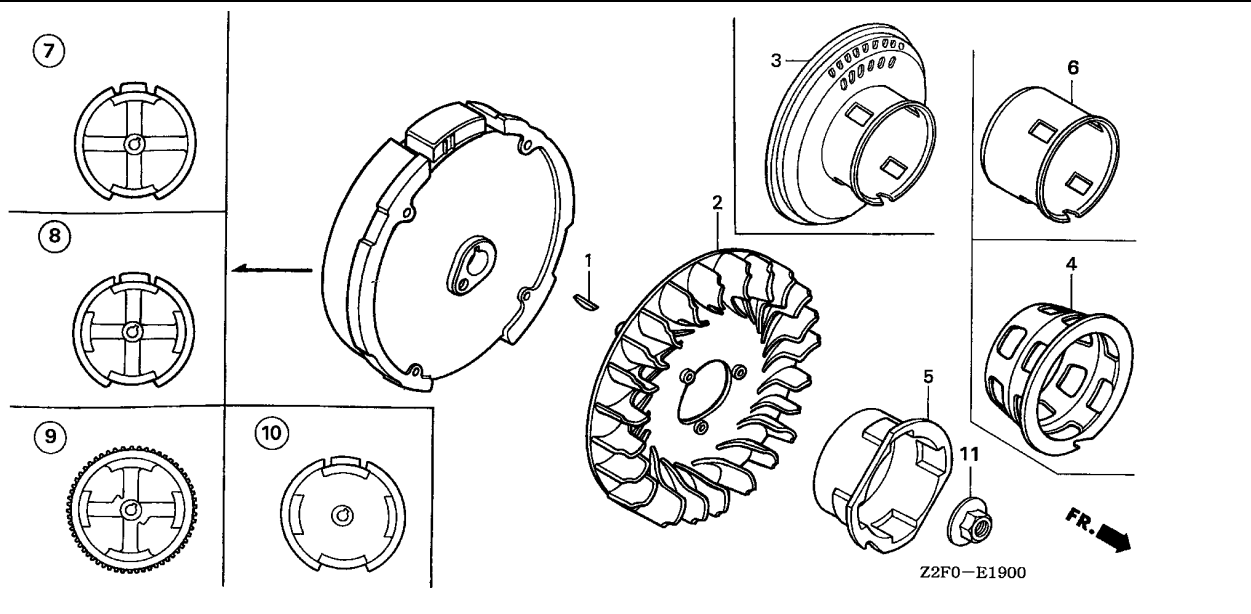
K 2



Service item	F.R.T.
FILTER COMP., FUEL	0.1
.LEVER, FUEL COCK	
.METER COMP., FUEL	
.PACKING C, FUEL METER	
.STRAINER COMP., FUEL	
BUSH, FUEL PURGE	0.2
.COCK ASSY., FUEL	
.PACKING, FUEL STRAINER CUP	
.STAY COMP., FUEL COCK	
.TANK COMP., FUEL	
.TUBE, FUEL TANK	
.TUBE, FUEL, 4.5X300	
.TUBE, FUEL, 4.5X80	

Ref. No.	Part No.	Description	Reqd. QTY		Serial No.	Parts catalogue code
			GX 160K1 (1)	GX 160K1 (2)		
1	16080-191-005	SCREW, OVAL, 4X32	1	-	-----	NJC1
2	16173-001-004	PACKING, FUEL STRAINER CUP ..	1	-	-----	NJC1
3	16852-ZB6-000	TUBE, FUEL TANK	1	-	-----	NJC1
4	16857-ZB6-000	RUBBER, SUPPORTER	1	-	-----	NJC1
5	16910-GB2-005	STRAINER COMP., FUEL	1	-	-----	NJC1
6	16915-GB2-000	SUSPENSION, STRAINER	1	-	-----	NJC1
7	16950-ZA0-013	COCK ASSY., FUEL	1	-	-----	NJC1
8	16952-ZB6-000	BUSH, FUEL PURGE	1	-	-----	NJC1
9	16956-ZA0-010	STAY COMP., FUEL COCK	1	-	-----	NJC1
10	16963-191-005	LEVER, FUEL COCK	1	-	-----	NJC1
11	16967-MA2-771	CUP, FUEL STRAINER	1	-	-----	NJC1
12	17505-898-023	METER COMP., FUEL	1	-	-----	NJC1
13	17510-ZB6-010	TANK COMP., FUEL	1	-	-----	NJC1
14	17520-ZA0-800	SEAL, FUEL FILLER NECK	1	-	-----	NJC1
15	17620-899-013	CAP COMP., FUEL FILLER	1	-	-----	NJC1
16	17624-187-020	PACKING C, FUEL METER	1	-	-----	NJC1
17	17631-899-000	PACKING, FUEL FILLER CAP	1	-	-----	NJC1
18	17670-ZB6-000	FILTER COMP., FUEL	1	-	-----	NJC1
19	95001-45080-40	TUBE, FUEL, 4.5X80				
		(95001-45001-60M)	1	-	-----	NJC1
20	95001-45300-40	TUBE, FUEL, 4.5X300				
		(95001-45001-60M)	1	-	-----	NJC1
21	95002-02080	CLIP, TUBE (B8)	1	-	-----	NJC1
22	95002-02100	CLIP, TUBE (B10)	1	-	-----	NJC1

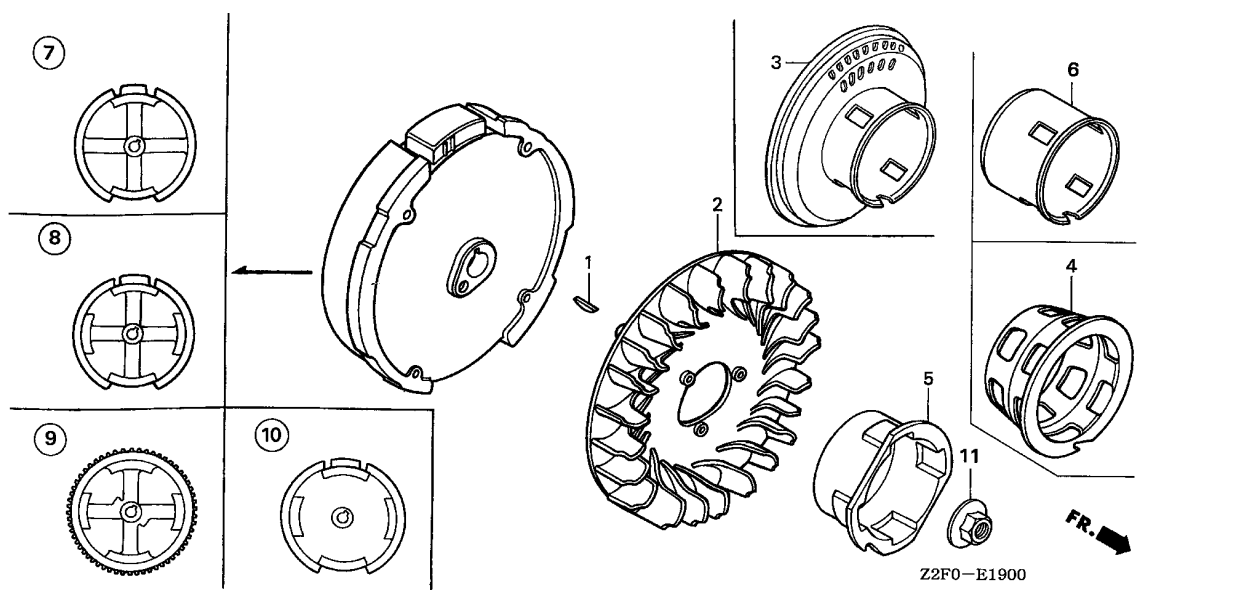
2



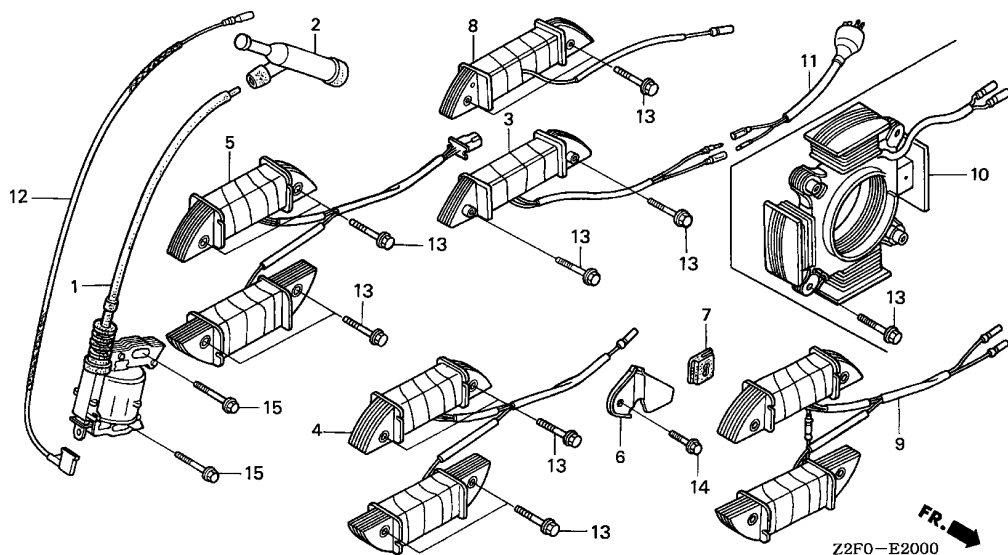
Service item	F.R.T.
FAN, COOLING	0.2
.PULLEY COMP., STARTER	
.PULLEY, STARTER	
FLYWHEEL COMP.	0.3

Ref. No.	Part No.	Description	Reqd. QTY		Serial No.	Parts catalogue code
			GX 160K1 (1)	GX 160K1 (2)		
1	13331-357-000	KEY, SPECIAL WOODRUFF, 25X18	1	1		
2	19511-ZE1-000	FAN, COOLING	1	1		
3	28450-ZH8-801	PULLEY COMP., STARTER	1	-	----- QA2,QA26,QBC2,QE,QFE4,QMC8,QMD6,QWA4,SE,SG24,SHRY,SMC7,SMC9,VEBM,VG24	
			-	(1)		
4	28451-ZE1-003	PULLEY, STARTER	1	-	----- LJS,LVL,QT,QVL,VSB1,VSG,VS3,VS4	
5	28451-ZH8-003	PULLEY, STARTER	1	-	----- SKM,STM,SWG4	
6	28451-ZH8-801	PULLEY, STARTER	1	-	----- AR,ARC6,BL,EMA2,HG12,HH,HHQ4,HH26,HX,HXE2,HXE8,HXU,HX2,HX26,HX4,KR KTA,LA1,LD,LH,LHB3,LHQ4,LJ,LJC7,LJG,LSJ4,LW2,LX,LXU,LX2,LX26,LX4,NJ NJC1,NJG,NSJ,PHM,PX,PXU,QAB3,QAX2,QBT6,QCB2,QCL,QD,QGR2,QGR9,QH,QHE QHP1,QHQ4,QH2,QH26,QI2,QA4,QMC6,QME4,QMH,QMX2,QMZ2,QNT,QNT4,QNZ,QP QPU,QSC2,QSC9,QS2,QWX2,QX,QXC,QXC6,QXC9,QXE,QXE2,QXE4,QXE6,QXE8,QXF2 QXM1,QXS2,QXU,QXW,QX2,QX22,QX26,QX4,QX7,RD,RD4,RH,RHA2,RHQ4,RH2,RH26 RMB4,RMD,RMG2,RSK,RSS1,RTB2,RX,RXE,RXE2,RXE4,RXU,RX4,SCJ,SD,SDS,SD16 SD4,SH,SHM,SHQ4,SJ,SJC1,SJC5,SJG,SMJ,SMJ1,SMW2,SMX4,SM11,SM12,SM14 SNX,SNX1,SSK1,SSX2,ST,STQ,SWX2,SWX4,SX,SXE,SXE4,SXS4,SXU,SX4, SX7,S1CY TCS2,TX,TXC9,TXU, TX2, TX26, TX4, UXU, VA2, VED, VED1, VED2, VED3, VED5, VED6 VEN2, VES, VGE4, VHA7, VHH4, VMS4, VMS7, VMT, VPM4, VPM5, VPM7, VPR4, VPR7, VSD VSD1, VSD7, VSX, VSX1, VSX3, VS17, VTH4, VTU1, VWA2, VW12, VX, VXD, VXD1, VXE4 VXE7, VXM, VXU, VXU1, VXX2, VX2, VX4, WDA6, WJP, WKD6, WKT2, WKT4, WKT6, WMB0, WME2 WME4, WMT	

- (1)



Ref. No.	Part No.	Description	Reqd. QTY		Serial No.	Parts catalogue code
			GX 160K1 (1)	GX 160K1 (2)		
7	31100-ZE1-010	FLYWHEEL COMP.	1	-	-	AR, ARC6, BL, HG12, HH, HHQ4, HH26, HX, HXU, HX2, HX26, HX4, KR, KTA, LA1, LD, LH, LHB3, LHQ4, LJ, LJC7, LJG, LJS, LSJ4, LVL, LX, LXU, LX2, LX26, LX4, NJ, NJC1, NJG, PHM, PX, PXU, QAB3, QA2, QA26, QBC2, QBT6, QCB2, QCL, QD, QE, QFE4, QGR2, QH, QHP1, QHQ4, QH2, QH26, QI2, QMC8, QME4, QMH, QMX2, QMZ2, QNT, QNT4, QPU, QS2, QT, QVL, QWA4, QWX2, QX, QXC, QXC6, QXC9, QXF2, QXM1, QXU, QX2, QX22, QX26, QX4, RD, RD4, RH, RHQ4, RH2, RH26, RMB4, RMD, RSS1, RTB2, RX, RXU, RX4, SCJ, SD, SD16, SD4, SE, SG24, SH, SHM, SHQ4, SHRY, SJ, SJC1, SJC5, SJG, SMC7, SMJ, SMJ1, SMW2, SMX4, SM11, SM12, SM14, SNX, SSK1, SSX2, STQ, SWX2, SWX4, SX, SXS4, SXU, SX4, S1CY, TCS2, TX, TXC9, TXU, TX2, TX26, TX4, UXU, VA2, VEBM, VED, VED1, VED2, VED3, VED5, VED6, VEN2, VGE4, VG24, VHH4, VMS4, VMT, VPM4, VPM5, VPR4, VSB1, VSD, VSD1, VSG, VSX, VSX1, VSX3, VS3, VS4, VTU1, VWA2, VW12, VX, VXM, VXU, VXU1, VXW2, VX2, VX4, WDA6, WJP, WKD6, WKT2, WKT4, WKT6, WMB0, WME2, WME4, WMT
	31100-ZE7-010	FLYWHEEL COMP. (STD.)	1	(1)	-	QX7, SX7, VHA7, VMS7, VPM7, VPR7, VSD7, VS17
8	31100-ZE1-811	FLYWHEEL COMP. (LAMP)	1	-	-	EMA2, LW2, NSJ, QMC6, QMD6, QP, QXS2, RHA2, RMG2, RSK, SDS, SMC9, VES, VXD, VXD1
9	31100-ZE1-821	FLYWHEEL COMP. (STARTER MOTOR)	1	-	-	HXE2, HXE8, QHE, QKA4, QXE, QXE2, QXE4, QXE6, QXE8, QXW, RXE, RXE2, RXE4, SKM, SNX1, ST, STM, SWG4, SXE, SXE4, VXE4
	31100-ZH8-S42	FLYWHEEL COMP. (SELF STARTER-7A)	1	(1)	-	QNZ, QSC2
	31110-ZL0-821	FLYWHEEL COMP. (START)	1	-	-	VTH4, VXE7
10	31100-ZH8-W03	FLYWHEEL COMP. (4P-3MAGNET) -	1	-	-	QAX2, QGR9, QSC9
11	90201-878-003	NUT, SPECIAL, 14MM	1	1	-	



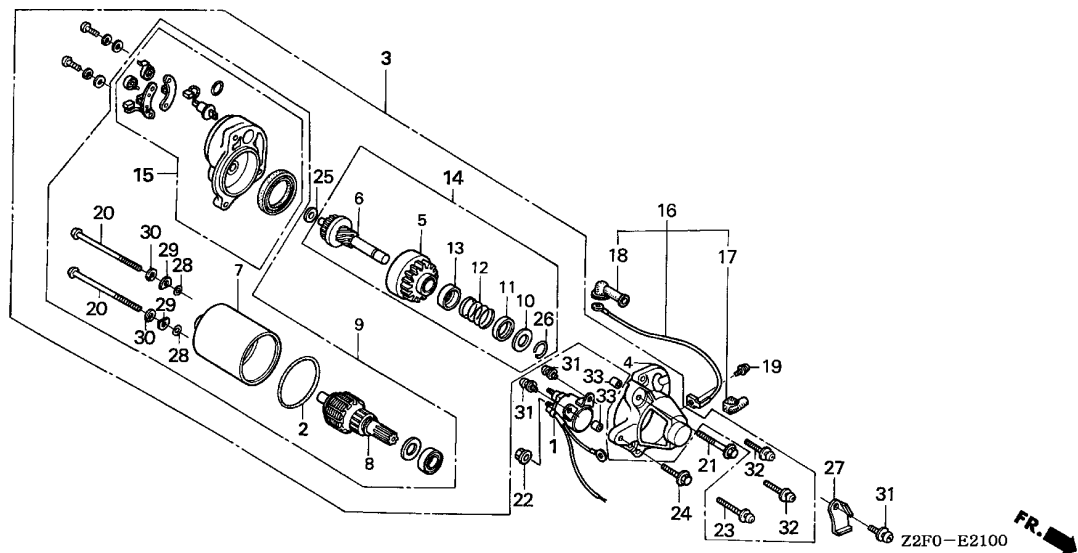
Service item	F.R.T.
CAP ASSY., NOISE SUPPRESSOR ..	0.1
.TERMINAL ASSY., HIGH TENSION	0.2
.COIL ASSY., IGNITION	
COIL ASSY., CHARGE	0.3
.COIL ASSY., LAMP	
.COIL ASSY., LAMP & CHARGE	
.CORD, STOP SWITCH	

2

Ref. No.	Part No.	Description	Reqd. QTY		Serial No.	Parts catalogue code
			GX 160K1 (1)	GX 160K1 (2)		
1	30500-ZE1-043	COIL ASSY., IGNITION	1	(1)		
2	30600-ZE1-013	TERMINAL ASSY., HIGH TENSION (NICHIAWA Y-EZ)	1	-	-----	LA1,LJS,LW2,QT,RMD,SKM,SMJ,SM11,STM,VSX,VSX1
	30700-ZB6-013	CAP ASSY., NOISE SUPPRESSOR ..	1	(1)	-----	NJC1
	30700-ZE1-013	CAP ASSY., NOISE SUPPRESSOR (NICHIAWA Y-EZ RTFM256)	1	-	-----	AR,ARC6,EMA2,HG12,HH,HHQ4,HH26,HX,HXE2,HXE8,HXU,HX2,HX26,HX4,KR,KTA LD,LH,LHB3,LHQ4,LJ,LJC7,LJG,LSJ4,LX,LXU,LX2,LX26,LX4,NJ,NJG,NSJ,PHM PX,PXU,QAB3,QAX2,QA2,QA26,QBC2,QBT6,QCB2,QCL,QD,QE,QFE4,QGR2,QGR9,QH QHE,QHP1,QHQ4,QH2,QH26,QI2,QKA4,QMC6,QMC8,QMD6,QME4,QMH,QMX2,QMZ2,QNT QNT4,QNZ,QP,QPU,QSC2,QSC9,QS2,QWA4,QWX2,QX,QXC,QXC6,QXC9,QXE,QXE2 QXE4,QXE6,QXE8,QXF2,QXM1,QXS2,QXU,QXW,QX2,QX22,QX26,QX4,QX7,RD,RD4,RH RHA2,RHQ4,RH2,RH26,RMB4,RMG2,RSK,RSS1,RTB2,RX,RXE,RXE2,RXE4,RXU,RX4 SCJ,SD,SDS,SD16,SD4,SE,SG24,SH,SHM,SHQ4,SHRY,SJ,SJC1,SJC5,SJG,SMC7 SMC9,SMJ1,SMW2,SMX4,SM12,SM14,SNX,SNX1,SSK1,SSX2,ST,STQ,SWG4,SWX2 SWX4,SX,SXE,SXE4,SXS4,SXU,SX4,SX7,S1CY,TCS2,TX,TXC9,TXU,TX2,TX26,TX4 UXU,VA2,VEBM,VED,VED1,VED2,VED3,VED5,VED6,VEN2,VES,VG24,VHA7,VHH4 VMS4,VMS7,VMT,VSB1,VSD,VSD7,VSG,VSX3,VS3,VS4,VTU1,VWA2,VW12,VX,VXD VXD1,VXE4,VXE7,VXM,VXU,VXU1,VXW2,VX2,VX4,WDA6,WJP,WKD6,WKT2,WKT4,WKT6 WMBO,WME2,WME4,WMT
	30700-ZE8-003	CAP ASSY., NOISE SUPPRESSOR ..	1	(1)	-----	BL,LVL,QVL
	30700-ZF5-013	1	-	-----	VGE4,VPM4,VPM5,VPM7,VPR4,VPR7,VSD1,VS17,VTH4
3	31510-ZE1-003	COIL ASSY., LAMP (12V/15W) ..	-	(1)	-----	
	31510-ZE1-811	COIL ASSY., LAMP (12V/25W) ..	1	-	-----	EMA2,NSJ,RHA2,SMC9,VES,VXD,VXD1
	31510-ZE1-821	COIL ASSY., LAMP (6V/15W) ...	-	(1)	-----	
	31510-ZE1-831	COIL ASSY., LAMP (6V/25W) ...	-	(1)	-----	

Ref. No.	Part No.	Description	Reqd. QTY		Serial No.	Parts catalogue code
			GX 160K1 (1)	GX 160K1 (2)		
4	31510-ZE1-711	COIL ASSY., LAMP (12V/50W) ..	1	-	-----	LW2,QMC6,QMD6,QP,QXS2,RMG2,RSK,SDS
5	31510-ZE1-721	COIL ASSY., LAMP & CHARGE ...	-	(1)	-----	
6	31511-ZE1-000	CLAMPER, CORD	1	-	-----	EMA2,HXE2,HXE8,LW2,NSJ,QAX2,QGR9,QHE,QKA4,QMC6,QMD6,QNZ,QP,QSC2,QSC9,QXE,QXE2,QXE4,QXE6,QXE8,QXS2,QXW,RHA2,RMG2,RSK,RXE,RXE2,RXE4,SDS,SKM,SMC9,SNX1,ST,STM,SXE,SXE4,VES,VTH4,VXD,VXD1,VXE4,VXE7
7	31512-ZE1-000	GROMMET, CORD	-	(1)	-----	
			1	-	-----	EMA2,HXE2,HXE8,LW2,NSJ,QAX2,QGR9,QHE,QKA4,QMC6,QMD6,QNZ,QP,QSC2,QSC9,QXE,QXE2,QXE4,QXE6,QXE8,QXS2,QXW,RHA2,RMG2,RSK,RXE,RXE2,RXE4,SDS,SKM,SMC9,SNX1,ST,STM,SWG4,SXE,SXE4,VES,VTH4,VXD,VXD1,VXE4,VXE7
8	31630-ZE1-003	COIL ASSY., CHARGE (1A)	1	-	-----	HXE2,HXE8,QHE,QKA4,QXE,QXE2,QXE4,QXE6,QXE8,RXE,RXE2,RXE4,SNX1,ST,SXE,SXE4,VXE4,VXE7
9	31630-ZF1-801	COIL ASSY., CHARGE (2.8A) ...	-	(1)	-----	
			1	-	-----	QXW,SKM,STM,VTH4
10	31630-ZH8-W01	COIL ASSY., CHARGE (12V-7A) -	1	-	-----	QAX2,QGR9,QNZ,QSC2,QSC9
11	32105-ZE1-000	CABLE, DOUBLE CONNECTOR	-	(1)	-----	
12	36101-ZB2-010	CORD, STOP SWITCH (395MM) ...	1	-	-----	HXE2,HXE8,QHE,QKA4,QSC2,QXE,QXE2,QXE4,QXE6,QXE8,QXW,RXE,RXE2,RXE4,SWG4,SXE,SXE4,VED2,VED3,VEN2,VES,VS1,VSG,VS3,VS4,VTH4,VXE4,VXE7
	36101-ZE1-010	CORD, STOP SWITCH (370MM) ...	-	(1)	-----	
			1	-	-----	AR,ARC6,BL,EMA2,HG12,HH,HHQ4,HH26,HX,HXU,HX2,HX26,HX4,KR,KTA,LA1,LD,LH,LHB3,LHQ4,LJ,LJC7,LJG,LJS,LSJ4,LVL,LW2,LX,LXU,LX2,LX26,LX4,NJ,NJC1,NJG,NSJ,PHM,PX,PXU,QAB3,QAX2,QA2,QA26,QBC2,QBT6,QCB2,QCL,QD,QE,QFE4,QGR2,QGR9,QH,QHP1,QHQ4,QH2,QH26,QI2,QMC6,QMC8,QMD6,QME4,QMH,QMX2,QMZ2,QNT,QNT4,QNZ,QP,QPU,QSC9,QS2,QT,QVL,QWA4,QWX2,QX,QXC,QXC6,QXC9,QXF2,QXM1,QXS2,QXU,QX2,QX22,QX26,QX4,QX7,RD,RD4,RH,RHA2,RHQ4,RH2,RH26,RMB4,RMD,RMG2,RSK,RSS1,RTB2,RX,RXU,RX4,SCJ,SD,SDS,SD16,SD4,SE,SG24,SH,SHM,SHQ4,SHRY,SJ,SJC1,SJC5,SJG,SKM,SMC7,SMC9,SMJ,SMJ1,SMW2,SMX4,SM11,SM12,SM14,SNX,SNX1,SSK1,SSX2,ST,STM,STQ,SWX2,SWX4,SX,SXS4,SXU,SX4,SX7,S1CY,TCS2,TX,TXC9,TXU,TX2,TX26,TX4,UXU,VA2,VEBM,VED,VED1,VED5,VED6,VGE4,VG24,VHA7,VHH4,VMS4,VMS7,VMT,VPM4,VPM5,VPM7,VPR4,VPR7,VSD,VSD1,VSD7,VSX,VSX1,VSX3,VS17,VTU1,VWA2,VW12,VX,VXD,VXD1,VXM,VXU,VXU1,VXW2,VX2,VX4,WDA6,WJP,WKD6,WKT2,WKT4,WKT6,WMB0,WME2,WME4,WMT
13	90015-883-000	BOLT, FLANGE, 6X28	2	-	-----	EMA2,HXE2,HXE8,NSJ,QHE,QKA4,QXE,QXE2,QXE4,QXE6,QXE8,RHA2,RXE,RXE2,RXE4,SNX1,ST,SXE,SXE4,VES,VXD,VXD1,VXE4,VXE7
			4	-	-----	LW2,QAX2,QGR9,QMC6,QMD6,QNZ,QP,QSC2,QSC9,QXS2,QXW,RMG2,RSK,SDS,SKM,SMC9,STM,VTH4
	90018-ZE1-000	BOLT, FLANGE, 6X23(CT200) ...	-	(4)	-----	
	90019-883-000	BOLT, FLANGE, 5X10	-	(2)	-----	
14			1	-	-----	EMA2,HXE2,HXE8,LW2,NSJ,QAX2,QGR9,QHE,QKA4,QMC6,QMD6,QNZ,QP,QSC2,QSC9,QXE,QXE2,QXE4,QXE6,QXE8,QXS2,QXW,RHA2,RMG2,RSK,RXE,RXE2,RXE4,SDS,SKM,SMC9,SNX1,ST,STM,SXE,SXE4,VES,VTH4,VXD,VXD1,VXE4,VXE7
15	90121-952-000	BOLT, FLANGE, 6X25	-	(1)	-----	
			2	2	-----	



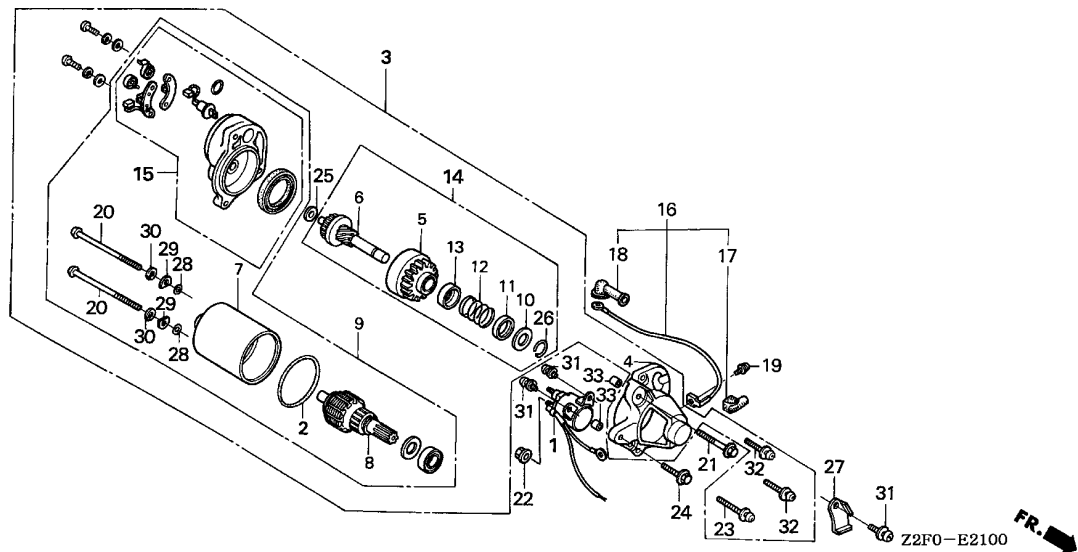


Service item	F.R.T.
MOTOR UNIT, STARTER	0.2
.SWITCH COMP., STARTING MAGNET	
COVER COMP., GEAR	0.3
BRACKET COMP., FR.	0.4
.PINION ASSY.	
.ROTOR ASSY.	
.SHAFT UNIT, GEAR	
.YOKE ASSY.	

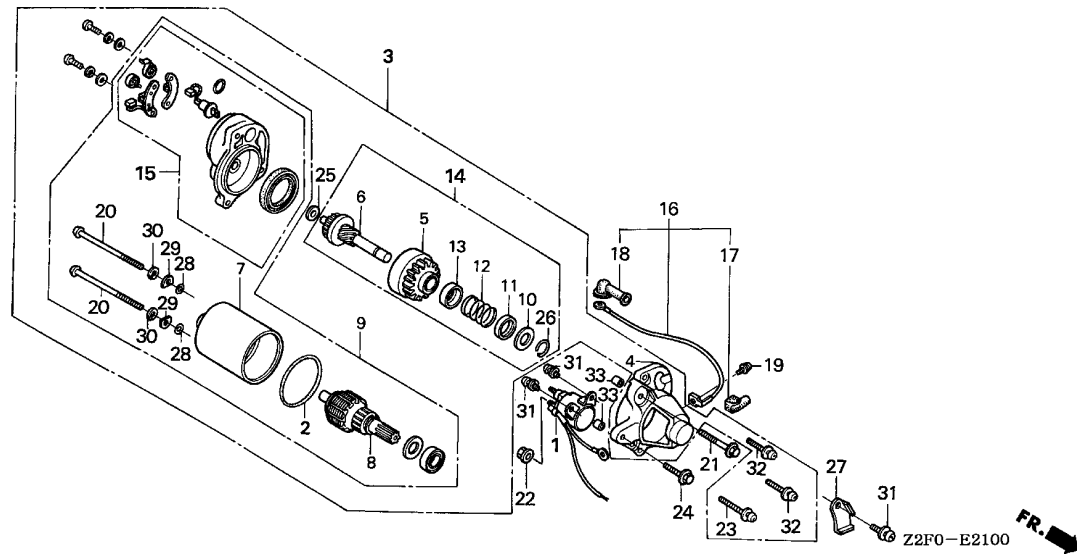
2

Ref. No.	Part No.	Description	Reqd. QTY		Serial No.	Parts catalogue code
			GX 160K1 (1)	GX 160K1 (2)		
1	31204-ZE1-003	SWITCH COMP., STARTING MAGNET	1	-	-----	HXE2,HXE8,QHE,QKA4,QNZ,QSC2,QXE,QXE2,QXE4,QXE6,QXE8,QXW,RXE,RXE2,RXE4,SNX1,ST,STM,SWG4,SXE,SXE4,VTH4,VXE4,VXE7
	31204-ZE1-721	SWITCH ASSY., STARTER MAGNETIC	1	(1)	-----	SKM
2	31206-KN7-670	O-RING	1	(1)	-----	HXE2,HXE8,QHE,QKA4,QNZ,QSC2,QXE,QXE2,QXE4,QXE6,QXE8,QXW,RXE,RXE2,RXE4,SKM,SNX1,ST,STM,SWG4,SXE,SXE4,VTH4,VXE4,VXE7
3	31210-ZE1-023	MOTOR UNIT, STARTER (SM-11203) (162MM)	1	(1)	-----	HXE2,HXE8,QHE,QKA4,QNZ,QSC2,QXE,QXE2,QXE4,QXE6,QXE8,QXW,RXE,RXE2,RXE4,SNX1,SWG4,SXE,SXE4,VTH4,VXE4,VXE7
	31210-ZE1-723	MOTOR UNIT, STARTER (SM-11205) (181MM)	1	(1)	-----	SKM,ST,STM
4	31212-ZE1-003	COVER COMP., GEAR	1	(1)	-----	HXE2,HXE8,QHE,QKA4,QNZ,QSC2,QXE,QXE2,QXE4,QXE6,QXE8,QXW,RXE,RXE2,RXE4,SKM,SNX1,ST,STM,SWG4,SXE,SXE4,VTH4,VXE4,VXE7
5	31214-ZE1-003	PINION ASSY.	1	(1)	-----	HXE2,HXE8,QHE,QKA4,QNZ,QSC2,QXE,QXE2,QXE4,QXE6,QXE8,QXW,RXE,RXE2,RXE4,SKM,SNX1,ST,STM,SWG4,SXE,SXE4,VTH4,VXE4,VXE7
6	31215-ZE1-003	SHAFT UNIT, GEAR	1	(1)	-----	HXE2,HXE8,QHE,QKA4,QNZ,QSC2,QXE,QXE2,QXE4,QXE6,QXE8,QXW,RXE,RXE2,RXE4,SKM,SNX1,ST,STM,SWG4,SXE,SXE4,VTH4,VXE4,VXE7
7	31216-ZE1-003	YOKE ASSY.	1	(1)	-----	HXE2,HXE8,QHE,QKA4,QNZ,QSC2,QXE,QXE2,QXE4,QXE6,QXE8,QXW,RXE,RXE2,RXE4,SNX1,SWG4,SXE,SXE4,VTH4,VXE4,VXE7

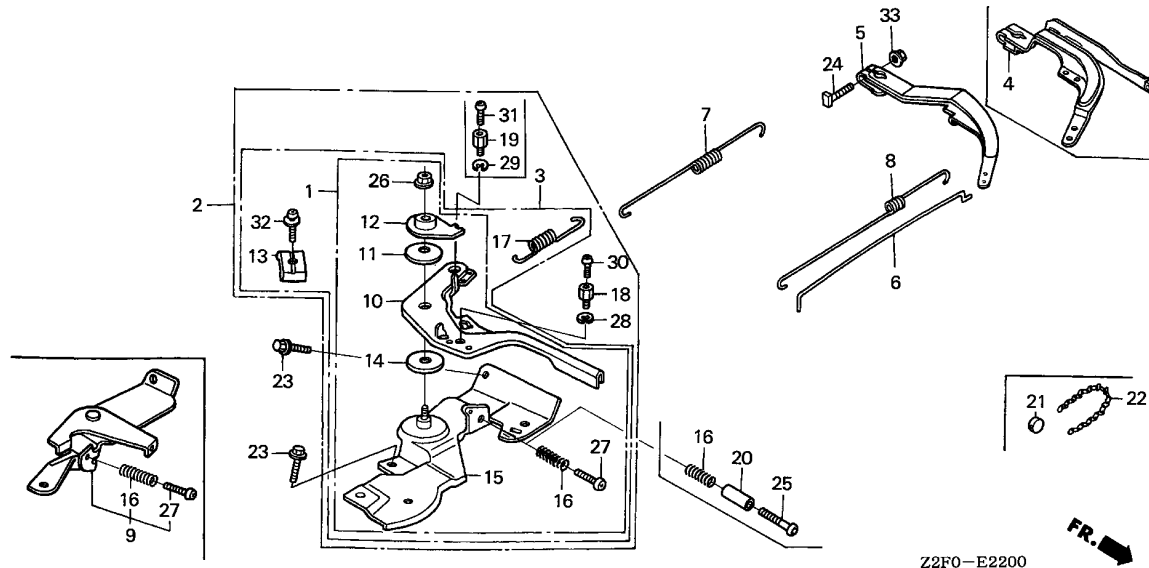
Ref. No.	Part No.	Description	Reqd. QTY		Serial No.	Parts catalogue code
			GX 160K1 (1)	GX 160K1 (2)		
(7)	31216-ZE1-731	YOKE ASSY.	1	-	-----	SKM,ST,STM
			-	(1)		
8	31217-ZE1-013	ROTOR ASSY.	1	-	-----	HXE2,HXE8,QHE,QKA4,QNZ,QSC2,QXE,QXE2,QXE4,QXE6,QXE8,QXW,RXE,RXE2,RXE4 SNX1,SWG4,SXE,SXE4,VTH4,VXE4,VXE7
			-	(1)		
	31217-ZE1-722	1	-	-----	SKM,ST,STM
			-	(1)		
9	31220-ZE1-013	MOTOR ONLY	1	-	-----	HXE2,HXE8,QHE,QKA4,QNZ,QSC2,QXE,QXE2,QXE4,QXE6,QXE8,QXW,RXE,RXE2,RXE4 SNX1,SWG4,SXE,SXE4,VTH4,VXE4,VXE7
			-	(1)		
	31220-ZE1-722	1	-	-----	SKM,ST,STM
			-	(1)		
10	31221-ZE1-003	PIECE A, STOPPER	1	-	-----	HXE2,HXE8,QHE,QKA4,QNZ,QSC2,QXE,QXE2,QXE4,QXE6,QXE8,QXW,RXE,RXE2,RXE4 SKM,SNX1,ST,STM,SWG4,SXE,SXE4,VTH4,VXE4,VXE7
			-	(1)		
11	31222-ZE1-003	PIECE B, STOPPER	1	-	-----	HXE2,HXE8,QHE,QKA4,QNZ,QSC2,QXE,QXE2,QXE4,QXE6,QXE8,QXW,RXE,RXE2,RXE4 SKM,SNX1,ST,STM,SWG4,SXE,SXE4,VTH4,VXE4,VXE7
			-	(1)		
12	31223-ZE1-003	SPRING, RETURN	1	-	-----	HXE2,HXE8,QHE,QKA4,QNZ,QSC2,QXE,QXE2,QXE4,QXE6,QXE8,QXW,RXE,RXE2,RXE4 SKM,SNX1,ST,STM,SWG4,SXE,SXE4,VTH4,VXE4,VXE7
			-	(1)		
13	31224-ZE1-003	COVER, SPRING	1	-	-----	HXE2,HXE8,QHE,QKA4,QNZ,QSC2,QXE,QXE2,QXE4,QXE6,QXE8,QXW,RXE,RXE2,RXE4 SKM,SNX1,ST,STM,SWG4,SXE,SXE4,VTH4,VXE4,VXE7
			-	(1)		
14	31230-ZE1-003	GEAR ASSY.	1	-	-----	HXE2,HXE8,QHE,QKA4,QNZ,QSC2,QXE,QXE2,QXE4,QXE6,QXE8,QXW,RXE,RXE2,RXE4 SKM,SNX1,ST,STM,SWG4,SXE,SXE4,VTH4,VXE4,VXE7
			-	(1)		
15	31235-ZE1-013	BRACKET COMP., FR.	1	-	-----	HXE2,HXE8,QHE,QKA4,QNZ,QSC2,QXE,QXE2,QXE4,QXE6,QXE8,QXW,RXE,RXE2,RXE4 SKM,SNX1,ST,STM,SWG4,SXE,SXE4,VTH4,VXE4,VXE7
			-	(1)		
16	32410-ZE1-000	CORD, MAGNET SWITCH	1	-	-----	HXE2,HXE8,QHE,QKA4,QNZ,QSC2,QXE,QXE2,QXE4,QXE6,QXE8,QXW,RXE,RXE2,RXE4 SKM,SNX1,ST,STM,SWG4,SXE,SXE4,VTH4,VXE4,VXE7
			-	(1)		
17	32411-ZE1-000	COVER, MAGNETIC SWITCH	1	-	-----	HXE2,HXE8,QHE,QKA4,QNZ,QSC2,QXE,QXE2,QXE4,QXE6,QXE8,QXW,RXE,RXE2,RXE4 SKM,SNX1,ST,STM,SWG4,SXE,SXE4,VTH4,VXE4,VXE7
			-	(1)		
18	32411-253-000	COVER, STARTER MOTOR TERMINAL	1	-	-----	HXE2,HXE8,QHE,QKA4,QNZ,QSC2,QXE,QXE2,QXE4,QXE6,QXE8,QXW,RXE,RXE2,RXE4 SKM,SNX1,ST,STM,SWG4,SXE,SXE4,VTH4,VXE4,VXE7
			-	(1)		
19	90010-ZE1-003	SCREW-WASHER, 5X8	1	-	-----	HXE2,HXE8,QHE,QKA4,QNZ,QSC2,QXE,QXE2,QXE4,QXE6,QXE8,QXW,RXE,RXE2,RXE4 SKM,SNX1,ST,STM,SWG4,SXE,SXE4,VTH4,VXE4,VXE7
			-	(1)		
20	90012-ZE1-003	BOLT, SETTING	2	-	-----	HXE2,HXE8,QHE,QKA4,QNZ,QSC2,QXE,QXE2,QXE4,QXE6,QXE8,QXW,RXE,RXE2,RXE4 SNX1,SWG4,SXE,SXE4,VTH4,VXE4,VXE7
			-	(2)		
	90012-ZE1-721	2	-	-----	SKM,ST,STM
			-	(2)		
21	90017-883-000	BOLT, FLANGE, 6X32	1	-	-----	HXE2,HXE8,QHE,QKA4,QNZ,QSC2,QXE,QXE2,QXE4,QXE6,QXE8,QXW,RXE,RXE2,RXE4 SKM,SNX1,ST,STM,SWG4,SXE,SXE4,VTH4,VXE4,VXE7
			-	(1)		
22	90071-MB0-000	NUT-WASHER, 6MM	2	-	-----	HXE2,HXE8,QHE,QKA4,QNZ,QSC2,QXE,QXE2,QXE4,QXE6,QXE8,QXW,RXE,RXE2,RXE4 SKM,SNX1,ST,STM,SWG4,SXE,SXE4,VTH4,VXE4,VXE7
			-	(2)		



Ref. No.	Part No.	Description	Reqd. QTY		Serial No.	Parts catalogue code
			GX 160K1 (1)	GX 160K1 (2)		
23	90115-GB4-700	SCREW-WASHER, 5X30	1	-	-----	HXE2,HXE8,QHE,QKA4,QNZ,QSC2,QXE,QXE2,QXE4,QXE6,QXE8,QXW,RXE,RXE2,RXE4,SKM,SNX1,ST,STM,SWG4,SXE,SXE4,VTH4,VXE4,VXE7
24	90121-952-000	BOLT, FLANGE, 6X25	1	(1)	-----	HXE2,HXE8,QHE,QKA4,QNZ,QSC2,QXE,QXE2,QXE4,QXE6,QXE8,QXW,RXE,RXE2,RXE4,SKM,SNX1,ST,STM,SWG4,SXE,SXE4,VTH4,VXE4,VXE7
25	90502-187-701	WASHER, PINION	1	(1)	-----	HXE2,HXE8,QHE,QKA4,QNZ,QSC2,QXE,QXE2,QXE4,QXE6,QXE8,QXW,RXE,RXE2,RXE4,SKM,SNX1,ST,STM,SWG4,SXE,SXE4,VTH4,VXE4,VXE7
26	90603-ZE1-003	CIRCLIP, 10.2MM	1	-	-----	HXE2,HXE8,QHE,QKA4,QNZ,QSC2,QXE,QXE2,QXE4,QXE6,QXE8,QXW,RXE,RXE2,RXE4,SKM,SNX1,ST,STM,SWG4,SXE,SXE4,VTH4,VXE4,VXE7
27	90631-ZE1-003	HOLDER, HARNESS	1	(1)	-----	HXE2,HXE8,QHE,QKA4,QNZ,QSC2,QXE,QXE2,QXE4,QXE6,QXE8,QXW,RXE,RXE2,RXE4,SNX1,ST,STM,SWG4,SXE,SXE4,VTH4,VXE4,VXE7
	90631-ZE1-720	1	(1)	-----	SKM
28	91301-ZE1-003	O-RING	2	-	-----	HXE2,HXE8,QHE,QKA4,QNZ,QSC2,QXE,QXE2,QXE4,QXE6,QXE8,QXW,RXE,RXE2,RXE4,SKM,SNX1,ST,STM,SWG4,SXE,SXE4,VTH4,VXE4,VXE7
29	91402-ZE6-003	WASHER, SPECIAL	2	(2)	-----	HXE2,HXE8,QHE,QKA4,QNZ,QSC2,QXE,QXE2,QXE4,QXE6,QXE8,QXW,RXE,RXE2,RXE4,SKM,SNX1,ST,STM,SWG4,SXE,SXE4,VTH4,VXE4,VXE7
30	91403-ZE6-003	WASHER, SPRING	2	(2)	-----	HXE2,HXE8,QHE,QKA4,QNZ,QSC2,QXE,QXE2,QXE4,QXE6,QXE8,QXW,RXE,RXE2,RXE4,SKM,SNX1,ST,STM,SWG4,SXE,SXE4,VTH4,VXE4,VXE7



Ref. No.	Part No.	Description	Reqd. QTY		Serial No.	Parts catalogue code
			GX 160K1 (1)	GX 160K1 (2)		
31	93892-05014-08	SCREW-WASHER, 5X14	3	-	-----	HXE2,HXE8,QHE,QKA4,QNZ,QSC2,QXE,QXE2,QXE4,QXE6,QXE8,QXW,RXE,RXE2,RXE4,SKM,SNX1,ST,STM,SWG4,SXE,SXE4,VTH4,VXE4,VXE7
32	93892-05020-08	SCREW-WASHER, 5X20	2	(3)	-----	HXE2,HXE8,QHE,QKA4,QNZ,QSC2,QXE,QXE2,QXE4,QXE6,QXE8,QXW,RXE,RXE2,RXE4,SKM,SNX1,ST,STM,SWG4,SXE,SXE4,VTH4,VXE4,VXE7
33	94301-08100	DOWEL PIN, 8X10	2	(2)	-----	HXE2,HXE8,QHE,QKA4,QNZ,QSC2,QXE,QXE2,QXE4,QXE6,QXE8,QXW,RXE,RXE2,RXE4,SKM,SNX1,ST,STM,SWG4,SXE,SXE4,VTH4,VXE4,VXE7



Service item	F.R.T.
ARM COMP., GOVERNOR	0.2
.ARM, GOVERNOR	
.CONTROL ASSY.	
.SPRING, GOVERNOR	
BASE COMP., CONTROL	0.3
.ROD, GOVERNOR	
.SPRING, THROTTLE RETURN	

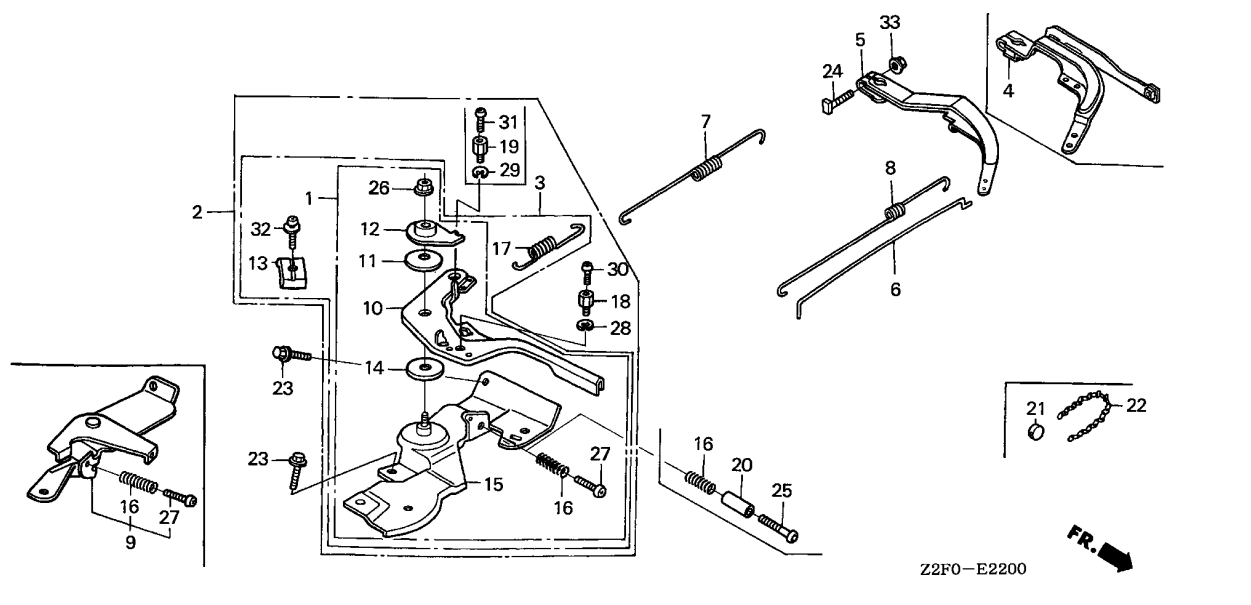
Z2F0-E2200



Ref. No.	Part No.	Description	Reqd. QTY		Serial No.	Parts catalogue code
			GX 160K1 (1)	GX 160K1 (2)		
1	16500-ZH8-030	CONTROL ASSY.	1	-	-----	PHM,PX,PXU,TCS2,TX,TXU,TX2,TX26,TX4,UXU,VA2,VX,VXW2,VX2,WDA6,WMB0 WME4,WMT
	16500-ZH8-833	CONTROL ASSY. (LOCK TYPE) ...	-	(1)	-----	
	16500-ZH8-843	CONTROL ASSY.	-	(1)	-----	
	16500-ZH8-883	CONTROL ASSY. (CYCLONE-STD.)	1	-	-----	TXC9
	16500-ZK8-020	CONTROL ASSY.	1	-	-----	VXE4,VXE7,VXM,VX4
	16570-ZE1-H33	1	-	-----	SJC1,SJC5
2	16500-ZH8-S43	CONTROL ASSY. (TB560)	1	-	-----	QI2,ST,STM
	16500-ZH8-U43	CONTROL ASSY. (NORTON)	1	-	-----	QNT,RSS1,SHRY,SMX4,SM11,SM12,SM14
	16500-ZH8-813	CONTROL ASSY. (REMOTE INTL) -	1	-	-----	KTA,LA1,LJ,LJC7,LJG,LSJ4,NJ,NJG,NSJ,QBC2,QMC8,QMD6,QME4,QMX2,QMZ2,QNZ QWA4,RSK,SCJ,SG24,SJ,SJG,SMC7,SMC9,SMJ,SMJ1,SMW2,SNX,SNX1,STQ,S1CY VEBM,VG24,WJP,WKD6,WKT2,WKT4,WKT6,WME2
	16500-ZH8-853	CONTROL ASSY. (CYCLONE)	1	(1)	-----	QXC,QXC6,QXC9
	16500-ZH8-863	CONTROL ASSY. (REMOTE)	1	(1)	-----	AR,ARC6,KR,LJS,NJC1
	16500-ZH8-893	CONTROL ASSY. (REMOTE INTL-S)	1	-	-----	HG12,RMD,SWG4
	16500-ZK8-912	CONTROL ASSY. (CYCLONE-NORTON)	1	(1)	-----	QNT4,QSC9
	16570-ZE1-714	CONTROL ASSY. (REMOTE INTL) -	1	-	-----	QXW

Ref. No.	Part No.	Description	Reqd. QTY		Serial No.	Parts catalogue code
			GX 160K1 (1)	GX 160K1 (2)		
3	16500-ZH8-823	CONTROL ASSY. (REMOTE)	1	-	-----	BL,HH,HHQ4,HH26,HX,HXE2,HXE8,HXU,HX2,HX26,HX4,LD,LH,LHB3,LHQ4,LVL,LW2,LX,LXU,LX2,LX26,LX4,QAB3,QAX2,QA2,QA26,QBT6,QCB2,QCL,QD,QE,QFE4,QGR2,QGR9,QH,QHE,QHP1,QHQ4,QH2,QH26,QKA4,QMC6,QMH,QP,QPU,QS2,QT,QVL,QWX2,QX,QXE,QXE2,QXE4,QXE6,QXE8,QXF2,QXM1,QXS2,QXU,QX2,QX22,QX26,QX4,QX7,RD,RD4,RH,RHA2,RHQ4,RH2,RH26,RMB4,RMG2,RTB2,RX,RXE,RXE2,RXE4,RXU,RX4,SD,SDS,SD16,SD4,SE,SH,SHM,SHQ4,SSK1,SSX2,SWX2,SWX4,SX,SXE,SXE4,SXS4,SXU,SX4,SX7
	16500-ZH8-873	CONTROL ASSY. (CYCLONE-REMOTE)	-	(1)	-----	QSC2
4	16550-ZH8-U50	ARM COMP., GOVERNOR (MEIJI) .	1	-	-----	SJC5,SMJ,SMJ1
5	16550-ZK7-V00	ARM COMP., GOVERNOR	1	-	-----	AR,ARC6,KR
	16551-ZE0-010	ARM, GOVERNOR	1	-	-----	BL,HG12,HH,HHQ4,HH26,HX,HXE2,HXE8,HXU,HX2,HX26,HX4,KTA,LA1,LD,LH,LHB3,LHQ4,LJ,LJC7,LJG,LJS,LSJ4,LVL,LW2,LX,LXU,LX2,LX26,LX4,NJ,NJC1,NJG,NSJ,PHM,PX,PXU,QAB3,QAX2,QA2,QA26,QBC2,QBT6,QCB2,QCL,QD,QE,QFE4,QGR2,QGR9,QH,QHE,QHP1,QHQ4,QH2,QH26,QI2,QKA4,QMC6,QMC8,QMD6,QME4,QMH,QMX2,QMZ2,QNT,QNT4,QNZ,QP,QPU,QSC2,QSC9,QS2,QT,QVL,QWA4,QWX2,QX,QXC,QXC6,QXC9,QXE,QXE2,QXE4,QXE6,QXE8,QXF2,QXM1,QXS2,QXU,QXW,QX2,QX22,QX26,QX4,QX7,RD,RD4,RH,RHA2,RHQ4,RH2,RH26,RMB4,RMD,RMG2,RSK,RSS1,RTB2,RX,RXE,RXE2,RXE4,RXU,RX4,SCJ,SD,SDS,SD16,SD4,SE,SG24,SH,SHM,SHQ4,SHRY,SJ,SJC1,SJC5,SJG,SMC7,SMC9,SMJ,SMJ1,SMW2,SMX4,SM11,SM12,SM14,SNX,SNX1,SSK1,SSX2,ST,STM,STQ,SWG4,SWX2,SWX4,SX,SXE,SXE4,SXS4,SXU,SX4,SX7,S1CY,TCS2,TX,TXC9,TXU,TX2,TX26,TX4,UXU,VEBM,VED,VED1,VED2,VED3,VED5,VED6,VEN2,VES,VG24,VSB1,WDA6,WJP,WKD6,WKT2,WKT4,WKT6,WMB0,WME2,WME4,WMT
	16551-ZL0-000	-	1	-----	EMA2,VA2,VGE4,VHA7,VHH4,VMS4,VMS7,VMT,VPM4,VPM5,VPM7,VPR4,VPR7,VSD,VSD1,VSD7,VSG,VSX,VSX1,VSX3,VS17,VS3,VS4,VTH4,VTU1,VWA2,VW12,VX,VXD,VXD1,VXE4,VXE7,VXM,VXU,VXU1,VXW2,VX2,VX4
6	16555-ZE1-000	ROD, GOVERNOR	1	-	-----	AR,ARC6,BL,EMA2,HG12,HH,HHQ4,HH26,HX,HXE2,HXE8,HXU,HX2,HX26,HX4,KR,KTA,LA1,LD,LH,LHB3,LHQ4,LJ,LJC7,LJG,LJS,LSJ4,LVL,LW2,LX,LXU,LX2,LX26,LX4,NJ,NJC1,NJG,NSJ,PHM,PX,PXU,QAB3,QAX2,QA2,QA26,QBC2,QBT6,QCB2,QCL,QD,QE,QFE4,QGR2,QGR9,QH,QHE,QHP1,QHQ4,QH2,QH26,QI2,QKA4,QMC6,QMC8,QMD6,QME4,QMH,QMX2,QMZ2,QNT,QNT4,QNZ,QP,QPU,QSC2,QSC9,QS2,QT,QVL,QWA4,QWX2,QX,QXC,QXC6,QXC9,QXE,QXE2,QXE4,QXE6,QXE8,QXF2,QXM1,QXS2,QXU,QXW,QX2,QX22,QX26,QX4,QX7,RD,RD4,RH,RHA2,RHQ4,RH2,RH26,RMB4,RMD,RMG2,RSK,RSS1,RTB2,RX,RXE,RXE2,RXE4,RXU,RX4,SCJ,SD,SDS,SD16,SD4,SE,SG24,SH,SHM,SHQ4,SHRY,SJ,SJC1,SJC5,SJG,SMC7,SMC9,SMJ,SMJ1,SMW2,SMX4,SM11,SM12,SM14,SNX,SNX1,SSK1,SSX2,ST,STM,STQ,SWG4,SWX2,SWX4,SX,SXE,SXE4,SXS4,SXU,SX4,SX7,S1CY,TCS2,TX,TXC9,TXU,TX2,TX26,TX4,UXU,VA2,VEBM,VED,VED1,VED2,VED3,VED5,VED6,VEN2,VES,VGE4,VG24,VHA7,VHH4,VMS4,VMS7,VMT,VPM4,VPM5,VPM7,VPR4,VPR7,VSB1,VSD,VSD1,VSD7,VSG,VSX,VSX1,VSX3,VS17,VS3,VS4,VTH4,VTU1,VWA2,VW12,VX,VXD,VXD1,VXE4,VXE7,VXM,VXU,VXU1,VXW2,VX2,VX4,WDA6,WJP,WKD6,WKT2,WKT4,WKT6,WMB0,WME2,WME4,WMT
			-	1		



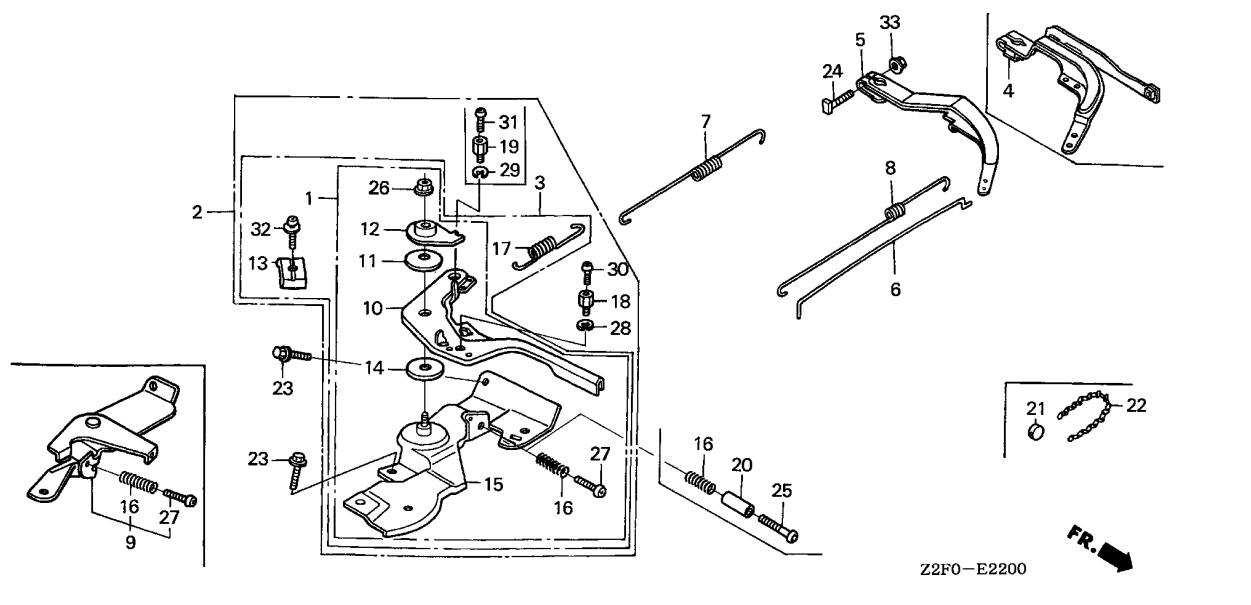


Ref. No.	Part No.	Description	Reqd. QTY		Serial No.	Parts catalogue code
			GX 160K1 (1)	GX 160K1 (2)		
7	16561-ZE1-020	SPRING, GOVERNOR	1	-	-----	BL, HG12, HH, HHQ4, HH26, HX, HXE2, HXE8, HXU, HX2, HX26, HX4, KTA, LA1, LD, LH, LHB3, LHQ4, LJ, LJC7, LJG, LJS, LSJ4, LVL, LW2, LX, LXU, LX2, LX26, LX4, NJ, NJC1, NJG, NSJ, PHM, PX, PXU, QAB3, QAX2, QA2, QA26, QBC2, QBT6, QCB2, QCL, QD, QE, QFE4, QGR2, QGR9, QH, QHE, QHP1, QHQ4, QH2, QH26, QI2, QKA4, QMC6, QMC8, QMD6, QME4, QMH, QMX2, QMZ2, QNT, QNT4, QNZ, QP, QPU, QSC2, QSC9, QS2, QT, QVL, QWA4, QWX2, QX, QXC, QXC6, QXC9, QXE, QXE2, QXE4, QXE6, QXE8, QXF2, QXM1, QXS2, QXU, QXW, QX2, QX22, QX26, QX4, QX7, RD, RD4, RH, RHA2, RHQ4, RH2, RH26, RMB4, RMD, RMG2, RSK, RSS1, RTB2, RX, RXE, RXE2, RXE4, RXU, RX4, SCJ, SD, SDS, SD16, SD4, SE, SG24, SH, SHM, SHQ4, SHRY, SJ, SJC1, SJC5, SJG, SMC7, SMC9, SMJ, SMJ1, SMW2, SMX4, SM11, SM12, SM14, SNX, SNX1, SSK1, SSX2, ST, STM, STQ, SWG4, SWX2, SWX4, SX, SXE, SXE4, SXS4, SXU, SX4, SX7, S1CY, TCS2, TX, TXC9, TXU, TX2, TX26, TX4, UXU, VEBM, VG24, WDA6, WJP, WKD6, WKT2, WKT4, WKT6, WMBO, WME2, WME4
	16561-ZH8-000	1	-	-----	VED, VED1, VED2, VED3, VED5, VED6, VEN2, VES, VSB1
	16561-ZH8-940	1	-	-----	AR, ARC6, KR, WMT
	16561-ZL0-U30	1	-	-----	VGE4, VHA7, VHH4, VMS4, VMS7, VMT, VPM4, VPM5, VPM7, VPR4, VPR7, VSD, VSD1, VSD7, VSG, VSX, VS17, VS3, VTH4, VTU1, VXD, VXE4, VXE7, VXM, VXU, VXU1, VX4
	16561-ZL0-000	1	-	-----	EMA2, VA2, VPM5, VPR4, VPR7, VSX1, VSX3, VS4, VWA2, VW12, VX, VXD1, VXW2, VX2

2

Ref. No.	Part No.	Description	Reqd. QTY		Serial No.	Parts catalogue code
			GX 160K1 (1)	GX 160K1 (2)		
8	16562-ZE1-020	SPRING, THROTTLE RETURN	1	-	-----	AR,ARC6,BL,EMA2,HG12,HH,HHQ4,HH26,HX,HXE2,HXE8,HXU,HX2,HX26,HX4,KR KTA,LA1,LD,LH,LHB3,LHQ4,LJ,LJC7,LJG,LJS,LSJ4,LVL,LW2,LX,LXU,LX2,LX26 LX4,NJ,NJC1,NJG,NSJ,PHM,PX,PXU,QAB3,QAX2,QA2,QA26,QBC2,QBT6,QCB2,QCL QD,QE,QFE4,QGR2,QGR9,QH,QHE,QHP1,QHQ4,QH2,QH26,QI2,QKA4,QMC6,QMC8 QMD6,QME4,QMH,QMX2,QMZ2,QNT,QNT4,QNZ,QP,QPU,QSC2,QSC9,QS2,QT,QVL,QWA4 QWX2,QX,QXC,QXC6,QXC9,QXE,QXE2,QXE4,QXE6,QXE8,QXF2,QXM1,QXS2,QXU,QXW QX2,QX22,QX26,QX4,QX7,RD,RD4,RH,RHA2,RHQ4,RH2,RH26,RMB4,RMD,RMG2,RSK RSS1,RTB2,RX,RXE,RXE2,RXE4,RXU,RX4,SCJ,SD,SDS,SD16,SD4,SE,SG24,SH,SHM SHQ4,SHRY,SJ,SJC1,SJC5,SJG,SMC7,SMC9,SMJ,SMJ1,SMW2,SMX4,SM11,SM12 SM14,SNX,SNX1,SSK1,SSX2,ST,STM,STQ,SWG4,SWX2,SWX4,SX,SXE,SXE4,SXS4 SXU,SX4,SX7,S1CY,TCS2,TX,TCX9,TXU,TX2,TX26,TX4,UXU,VA2,VEBM,VED,VED1 VED2,VED3,VED5,VED6,VEN2,VES,VGE4,VG24,VHA7,VHH4,VMS4,VMS7,VMT,VPM4 VPM5,VPM7,VPR4,VPR7,VSB1,VSD,VSD1,VSD7,VSG,VSX,VSX1,VSX3,VS17,VS3,VS4 VTH4,VTU1,VWA2,VW12,VX,VXD,VXD1,VXE4,VXE7,VXM,VXU,VXU1,VXW2,VX2,VX4 WDA6,WJP,WKD6,WKT2,WKT4,WKT6,WMB0,WME2,WME4,WMT
9	16570-ZB2-000	CONTROL ASSY.	1	-	-----	VED,VED1,VED5,VED6,VGE4,VHA7,VHH4,VMS4,VMS7,VPM4,VPM5,VPM7,VPR4,VSD VSD1,VSD7,VSX,VS17,VTH4,VTU1,VXD,VXU,VXU1
	16570-ZK8-U30	CONTROL ASSY. (WACKER)	1	-	-----	VPR7,VSX1,VSX3,VWA2,VW12,VXD1
10	16571-ZE1-H32	LEVER COMP., CONTROL	1	-	-----	SJC1,SJC5
	16571-ZH8-S02	LEVER, CONTROL	1	-	-----	AR,ARC6,KR,LJS,NJC1
	16571-ZH8-020	1	-	-----	BL,HG12,HH,HHQ4,HH26,HX,HXE2,HXE8,HXU,HX2,HX26,HX4,KTA,LA1,LD,LH,LHB3 LHQ4,LJ,LJC7,LJG,LSJ4,LVL,LW2,LX,LXU,LX2,LX26,LX4,NJ,NJG,NSJ,PHM,PX PXU,QAB3,QAX2,QA2,QA26,QBC2,QBT6,QCB2,QCL,QD,QE,QFE4,QGR2,QGR9,QH,QHE QHP1,QHQ4,QH2,QH26,QI2,QKA4,QMC6,QMC8,QMD6,QME4,QMH,QMX2,QMZ2,QNT QNT4,QNZ,QP,QPU,QSC2,QSC9,QS2,QT,QVL,QWA4,QWX2,QX,QXC,QXC6,QXC9,QXE QXE2,QXE4,QXE6,QXE8,QXF2,QXM1,QXS2,QXU,QXW,QX2,QX22,QX26,QX4,QX7,RD RD4,RH,RHA2,RHQ4,RH2,RH26,RMB4,RMD,RMG2,RSK,RSS1,RTB2,RX,RXE,RXE2 RXE4,RXU,RX4,SCJ,SD,SDS,SD16,SD4,SE,SG24,SH,SHM,SHQ4,SHRY,SJ,SJG,SMC7 SMC9,SMJ,SMJ1,SMW2,SMX4,SM11,SM12,SM14,SNX,SNX1,SSK1,SSX2,ST,STM,STQ SWG4,SWX2,SWX4,SX,SXE,SXE4,SXS4,SXU,SX4,SX7,S1CY,TCS2,TX,TCX9,TXU,TX2 TX26,TX4,UXU,VA2,VEBM,VG24,VX,VXE4,VXE7,VXM,VXW2,VX2,VX4,WDA6,WJP WKD6,WKT2,WKT4,WKT6,WMB0,WME2,WME4,WMT
	16571-ZH8-842	-	(1)		
		-	(1)		
11	16574-ZE1-000	SPRING, LEVER	1	-	-----	AR,ARC6,BL,HG12,HH,HHQ4,HH26,HX,HXE2,HXE8,HXU,HX2,HX26,HX4,KR,KTA,LA1 LD,LH,LHB3,LHQ4,LJ,LJC7,LJG,LJS,LSJ4,LVL,LW2,LX,LXU,LX2,LX26,LX4,NJ NJC1,NJG,NSJ,PHM,PX,PXU,QAB3,QAX2,QA2,QA26,QBC2,QBT6,QCB2,QCL,QD,QE QFE4,QGR2,QGR9,QH,QHE,QHP1,QHQ4,QH2,QH26,QI2,QKA4,QMC6,QMC8,QMD6,QME4 QMH,QMX2,QMZ2,QNT,QNT4,QNZ,QP,QPU,QSC2,QSC9,QS2,QT,QVL,QWA4,QWX2,QX QXC,QXC6,QXC9,QXE,QXE2,QXE4,QXE6,QXE8,QXF2,QXM1,QXS2,QXU,QXW,QX2,QX22 QX26,QX4,QX7,RD,RD4,RH,RHA2,RHQ4,RH2,RH26,RMB4,RMD,RMG2,RSK,RSS1,RTB2 RX,RXE,RXE2,RXE4,RXU,RX4,SCJ,SD,SDS,SD16,SD4,SE,SG24,SH,SHM,SHQ4,SHRY SJ,SJC1,SJC5,SJG,SMC7,SMC9,SMJ,SMJ1,SMW2,SMX4,SM11,SM12,SM14,SNX,SNX1 SSK1,SSX2,ST,STM,STQ,SWG4,SWX2,SWX4,SX,SXE,SXE4,SXS4,SXU,SX4,SX7,S1CY TCS2,TX,TCX9,TXU,TX2,TX26,TX4,UXU,VA2,VEBM,VG24,VX,VXE4,VXE7,VXM,VXW2 VX2,VX4,WDA6,WJP,WKD6,WKT2,WKT4,WKT6,WMB0,WME2,WME4,WMT
		-	(1)		





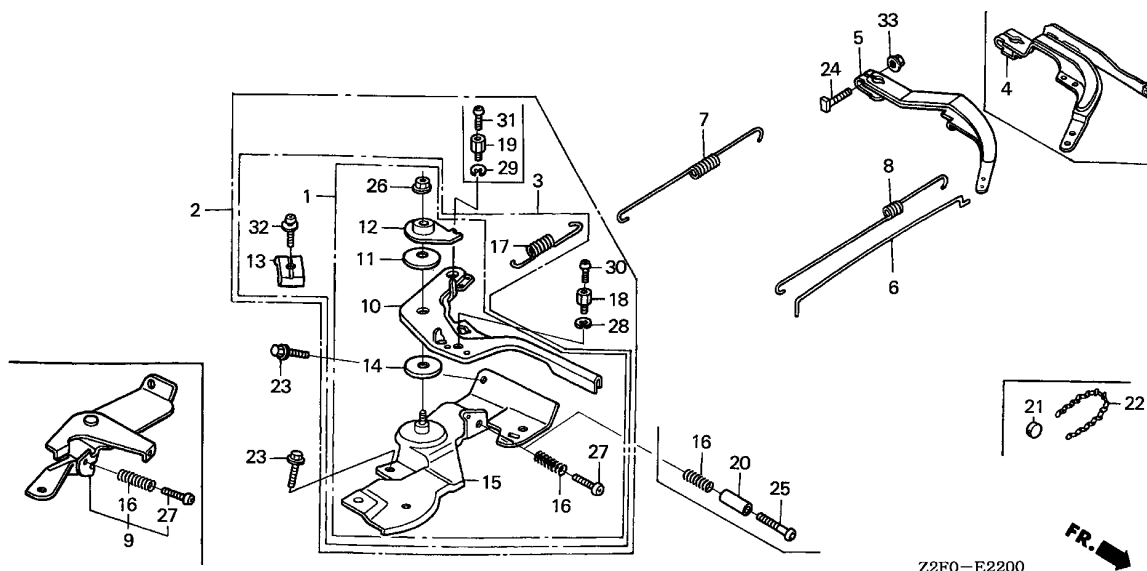
Z2F0-E2200

Ref. No.	Part No.	Description	Reqd. QTY		Serial No.	Parts catalogue code
			GX 160K1 (1)	GX 160K1 (2)		
12	16575-ZH8-000	WASHER, CONTROL LEVER	1	-	-	AR, ARC6, BL, HG12, HH, HHQ4, HH26, HX, HXE2, HXE8, HXU, HX2, HX26, HX4, KR, KTA, LA1 LD, LH, LHB3, LHQ4, LJ, LJC7, LJG, LJS, LSJ4, LVL, LW2, LX, LXU, LX2, LX26, LX4, NJ NJC1, NJG, NSJ, PHM, PX, PXU, QAB3, QAX2, QA2, QA26, QBC2, QBT6, QCB2, QCL, QD, QE QFE4, QGR2, QGR9, QH, QHE, QHP1, QHQ4, QH2, QH26, QI2, QKA4, QMC6, QMC8, QMD6, QME4 QMH, QMX2, QMZ2, QNT, QNT4, QNZ, QP, QPU, QSC2, QSC9, QS2, QT, QVL, QWA4, QWX2, QX QXC, QXC6, QXC9, QXE, QXE2, QXE4, QXE6, QXE8, QXF2, QXM1, QXS2, QXU, QXW, QX2, QX22 QX26, QX4, QX7, RD, RD4, RH, RHA2, RHQ4, RH2, RH26, RMB4, RMD, RMG2, RSK, RSS1, RTB2 RX, RXE, RXE2, RXE4, RXU, RX4, SCJ, SD, SDS, SD16, SD4, SE, SG24, SH, SHM, SHQ4, SHRY SJ, SJC1, SJC5, SJG, SMC7, SMC9, SMJ, SMJ1, SMW2, SMX4, SM11, SM12, SM14, SNX, SNX1 SSK1, SSSX2, ST, STM, STQ, SWG4, SWX2, SWX4, SX, SXE, SXE4, SXS4, SXU, SX4, SX7, S1CY TCS2, TX, TXC9, TXU, TX2, TX26, TX4, UXU, VA2, VEBM, VG24, VX, VXE4, VXE7, VXM, VWX2 VX2, VX4, WDA6, WJP, WKD6, WKT2, WKT4, WKT6, WMB0, WME2, WME4, WMT
13	16576-891-000	HOLDER, CABLE	1	(1)	-	AR, ARC6, BL, HG12, HH, HHQ4, HH26, HX, HXE2, HXE8, HXU, HX2, HX26, HX4, KR, KTA, LA1 LD, LH, LHB3, LHQ4, LJ, LJC7, LJG, LJS, LSJ4, LVL, LW2, LX, LXU, LX2, LX26, LX4, NJ NJC1, NJG, NSJ, QAB3, QAX2, QA2, QA26, QBC2, QBT6, QCB2, QCL, QD, QE, QFE4, QGR2 QGR9, QH, QHE, QHP1, QHQ4, QH2, QH26, QI2, QKA4, QMC6, QMC8, QMD6, QME4, QMH, QMX2 QMZ2, QNT, QNT4, QNZ, QP, QPU, QSC2, QSC9, QS2, QT, QVL, QWA4, QWX2, QX, QXC, QXC6 QXC9, QXE, QXE2, QXE4, QXE6, QXE8, QXF2, QXM1, QXS2, QXU, QXW, QX2, QX22, QX26, QX4 QX7, RD, RD4, RH, RHA2, RHQ4, RH2, RH26, RMB4, RMD, RMG2, RSK, RSS1, RTB2, RX, RXE RXE2, RXE4, RXU, RX4, SCJ, SD, SDS, SD16, SD4, SE, SG24, SH, SHM, SHQ4, SHRY, SJ, SJG SMC7, SMC9, SMJ, SMJ1, SMW2, SMX4, SM11, SM12, SM14, SNX, SNX1, SSK1, SSSX2, ST, STM STQ, SWG4, SWX2, SWX4, SX, SXE, SXE4, SXS4, SXU, SX4, SX7, S1CY, VEBM, VG24, WJP WKD6, WKT2, WKT4, WKT6, WME2

2

Ref. No.	Part No.	Description	Reqd. QTY		Serial No.	Parts catalogue code
			GX 160K1 (1)	GX 160K1 (2)		
14	16578-ZE1-000	SPACER, CONTROL LEVER	1	-	-----	AR, ARC6, BL, HG12, HH, HHQ4, HH26, HX, HXE2, HXE8, HXU, HX2, HX26, HX4, KR, KTA, LA1 LD, LH, LHB3, LHQ4, LJ, LJC7, LJG, LJS, LSJ4, LVL, LW2, LX, LXU, LX2, LX26, LX4, NJ NJC1, NJG, NSJ, PHM, PX, PXU, QAB3, QAX2, QA2, QA26, QBC2, QBT6, QCB2, QCL, QD, QE QFE4, QGR2, QGR9, QH, QHE, QHP1, QHQ4, QH2, QH26, QI2, QKA4, QMC6, QMC8, QMD6, QME4 QMH, QMX2, QMZ2, QNT, QNT4, QNZ, QP, QPU, QSC2, QSC9, QS2, QT, QVL, QWA4, QWX2, QX QXC, QXC6, QXC9, QXE, QXE2, QXE4, QXE6, QXE8, QXF2, QXM1, QXS2, QXU, QXW, QX2, QX22 QX26, QX4, QX7, RD, RD4, RH, RHA2, RHQ4, RH2, RH26, RMB4, RMD, RMG2, RSK, RSS1, RTB2 RX, RXE, RXE2, RXE4, RXU, RX4, SCJ, SD, SDS, SD16, SD4, SE, SG24, SH, SHM, SHQ4, SHRY SJ, SJC1, SJC5, SJG, SMC7, SMC9, SMJ, SMJ1, SMW2, SMX4, SM11, SM12, SM14, SNX, SNX1 SSK1, SSSX2, ST, STM, STQ, SWG4, SWX2, SWX4, SX, SXE, SXE4, SXS4, SXU, SX4, SX7, S1CY TCS2, TX, TXC9, TXU, TX2, TX26, TX4, UXU, VA2, VEBM, VG24, VX, VXE4, VXE7, VXM, VXX2 VX2, VX4, WDA6, WJP, WKD6, WKT2, WKT4, WKT6, WMBO, WME2, WME4, WMT
			-	(1)		
15	16580-ZH8-030	BASE COMP., CONTROL	1	-	-----	PHM, PX, PXU, SJC1, SJC5, TCS2, TX, TXU, TX2, TX26, TX4, UXU, VA2, VX, VXE4, VXE7 VXM, VXX2, VX2, VX4, WDA6, WMBO, WME4, WMT
	16580-ZH8-813	BASE COMP., CONTROL (REMOTE)	1	-	-----	AR, ARC6, BL, HG12, HH, HHQ4, HH26, HX, HXE2, HXE8, HXU, HX2, HX26, HX4, KR, KTA, LA1 LD, LH, LHB3, LHQ4, LJ, LJC7, LJG, LJS, LSJ4, LVL, LW2, LX, LXU, LX2, LX26, LX4, NJ NJC1, NJG, NSJ, QAB3, QAX2, QA2, QA26, QBC2, QBT6, QCB2, QCL, QD, QE, QFE4, QGR2 QGR9, QH, QHE, QHP1, QHQ4, QH2, QH26, QI2, QKA4, QMC6, QMC8, QMD6, QME4, QMH, QMX2 QMZ2, QNT, QNZ, QP, QPU, QS2, QT, QVL, QWA4, QWX2, QX, QXE, QXE2, QXE4, QXE6, QXE8 QXF2, QXM1, QXS2, QXU, QXW, QX2, QX22, QX26, QX4, QX7, RD, RD4, RH, RHA2, RHQ4, RH2 RH26, RMB4, RMD, RMG2, RSK, RSS1, RTB2, RX, RXE, RXE2, RXE4, RXU, RX4, SCJ, SD, SDS SD16, SD4, SE, SG24, SH, SHM, SHQ4, SHRY, SJ, SJG, SMC7, SMC9, SMJ, SMJ1, SMW2, SMX4 SM11, SM12, SM14, SNX, SNX1, SSK1, SSSX2, ST, STM, STQ, SWG4, SWX2, SWX4, SX, SXE SXE4, SXS4, SXU, SX4, SX7, S1CY, VEBM, VG24, WJP, WKD6, WKT2, WKT4, WKT6, WME2
	16580-ZH8-853	BASE COMP., CONTROL (CYCLONE)	1	-	-----	QNT4, QSC2, QSC9, QXC, QXC6, QXC9, TXC9
			-	(1)		
16	16584-883-300	SPRING, CONTROL ADJUSTING ...	1	-	-----	AR, ARC6, BL, EMA2, HG12, HH, HHQ4, HH26, HX, HXE2, HXE8, HXU, HX2, HX26, HX4, KR KTA, LA1, LD, LH, LHB3, LHQ4, LJ, LJC7, LJG, LJS, LSJ4, LVL, LW2, LX, LXU, LX2, LX26 LX4, NJ, NJC1, NJG, NSJ, PHM, PX, PXU, QAB3, QAX2, QA2, QA26, QBC2, QBT6, QCB2, QCL QD, QE, QFE4, QGR2, QGR9, QH, QHE, QHP1, QHQ4, QH2, QH26, QI2, QKA4, QMC6, QMC8 QMD6, QME4, QMH, QMX2, QMZ2, QNT, QNT4, QNZ, QP, QPU, QSC2, QSC9, QS2, QT, QVL, QWA4 QWX2, QX, QXC, QXC6, QXC9, QXE, QXE2, QXE4, QXE6, QXE8, QXF2, QXM1, QXS2, QXU, QXW QX2, QX22, QX26, QX4, QX7, RD, RD4, RH, RHA2, RHQ4, RH2, RH26, RMB4, RMD, RMG2, RSK RSS1, RTB2, RX, RXE, RXE2, RXE4, RXU, RX4, SCJ, SD, SDS, SD16, SD4, SE, SG24, SH, SHM SHQ4, SHRY, SJ, SJC1, SJC5, SJG, SMC7, SMC9, SMJ, SMJ1, SMW2, SMX4, SM11, SM12 SM14, SNX, SNX1, SSK1, SSSX2, ST, STM, STQ, SWG4, SWX2, SWX4, SX, SXE, SXE4, SXS4 SXU, SX4, SX7, S1CY, TCS2, TX, TXC9, TXU, TX2, TX26, TX4, UXU, VA2, VEBM, VED, VED1 VED2, VED3, VED5, VED6, VEN2, VES, VGE4, VG24, VHA7, VHH4, VMS4, VMS7, VMT, VPM4 VPM5, VPM7, VPR4, VPR7, VSB1, VSD, VSD1, VSD7, VSG, VSX, VSX1, VSX3, VS17, VS3, VS4 VTH4, VTU1, VWA2, VW12, VX, VXD, VXD1, VXE4, VXE7, VXM, VXU, VXU1, VXX2, VX2, VX4 WDA6, WJP, WKD6, WKT2, WKT4, WKT6, WMBO, WME2, WME4, WMT
			-	(1)		

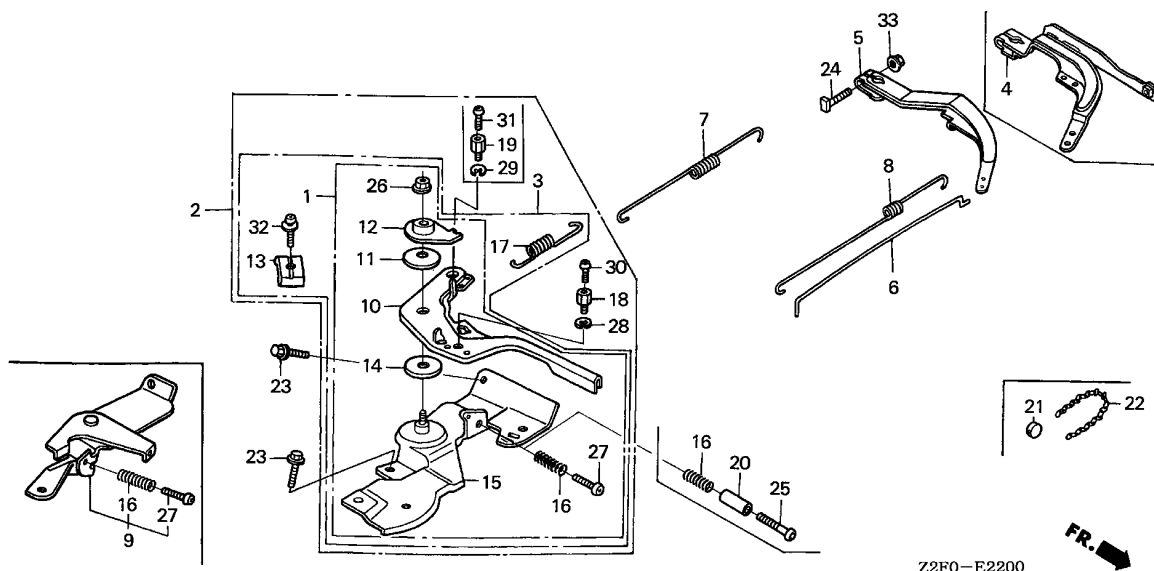




Ref. No.	Part No.	Description	Reqd. QTY		Serial No.	Parts catalogue code
			GX 160K1 (1)	GX 160K1 (2)		
17	16592-ZE1-810	SPRING, CABLE RETURN	1	-	-----	AR, ARC6, BL, HG12, HH, HHQ4, HH26, HX, HXE2, HXE8, HXU, HX2, HX26, HX4, KR, KTA, LA1 LD, LH, LHB3, LHQ4, LJ, LJC7, LJG, LJS, LSJ4, LVL, LW2, LX, LXU, LX2, LX26, LX4, NJ NJC1, NJG, NSJ, QAB3, QAX2, QA2, QA26, QBC2, QBT6, QCB2, QCL, QD, QE, QFE4, QGR2 QGR9, QH, QHE, QHP1, QHQ4, QH2, QH26, QI2, QKA4, QMC6, QMC8, QMD6, QME4, QMH, QMX2 QMZ2, QNT, QNT4, QNZ, QP, QPU, QSC2, QSC9, QS2, QT, QVL, QWA4, QWX2, QX, QXC, QXC6 QXC9, QXE, QXE2, QXE4, QXE6, QXE8, QXF2, QXM1, QXS2, QXU, QXW, QX2, QX22, QX26, QX4 QX7, RD, RD4, RH, RHA2, RHQ4, RH2, RH26, RMB4, RMD, RMD2, RSK, RSS1, RTB2, RX, RXE RXE2, RXE4, RXU, RX4, SCJ, SD, SDS, SD16, SD4, SE, SG24, SH, SHM, SHQ4, SHRY, SJ, SJG SMC7, SMC9, SMJ, SMJ1, SMW2, SMX4, SM11, SM12, SM14, SNX, SNX1, SSK1, SSS2, ST, STM STQ, SWG4, SWX2, SWX4, SX, SXE, SXE4, SXS4, SXU, SX4, SX7, S1CY, VEBM, VG24, WJP WKD6, WKT2, WKT4, WKT6, WME2
18	16594-883-010	HOLDER, WIRE	1	(1)	-----	AR, ARC6, HG12, KR, KTA, LA1, LJ, LJC7, LJG, LJS, LSJ4, NJ, NJC1, NJG, NSJ, QBC2, QI2 QMC8, QMD6, QME4, QMX2, QMZ2, QNT, QNT4, QNZ, QSC9, QWA4, QXC, QXC6, QXC9, QXW, RMD RSK, RSS1, SCJ, SG24, SHRY, SJ, SJG, SMC7, SMC9, SMJ, SMJ1, SMW2, SMX4, SM11, SM12 SM14, SNX, SNX1, ST, STM, STQ, SWG4, S1CY, VEBM, VG24, WJP, WKD6, WKT2, WKT4, WKT6 WME2
19	16594-883-010	HOLDER, WIRE	1	(1)	-----	QNT, QNT4, QSC9, RSS1, SHRY, SMX4, SM11, SM12, SM14
20	16599-ZG1-M10	COLLAR, STOPPER	(1)	-	-----	HHQ4, HX4, LHQ4, LSJ4, LX4, QE, QFE4, QHQ4, QKA4, QMC6, QMC8, QMD6, QME4, QNT, QNT4 QWA4, QXE4, QXW, QX4, QX7, RD4, RHQ4, RMB4, RSK, RXE4, RX4, SDS, SD4, SE, SG24, SHQ4 SMC7, SMC9, SMX4, SM14, SWG4, SXE4, SXS4, SX4, SX7, S1CY, TX4, VGE4, VG24, VHA7 VHH4, VMS4, VMS7, VPM4, VPM5, VPM7, VPR4, VPR7, VSD, VSD1, VSD7, VS17, VTH4, VXE4 VXE7, VX4, WKT4, WMB0
21	16727-705-000	END, LOCK	-	(1)	-----	
22	16729-705-010	WIRE, LOCK	-	(1)	-----	

Ref. No.	Part No.	Description	Reqd. QTY		Serial No.	Parts catalogue code
			GX 160K1 (1)	GX 160K1 (2)		
23	90013-883-000	BOLT, FLANGE, 6X12(CT200) ...	2	-	-	AR, ARC6, BL, EMA2, HG12, HH, HHQ4, HH26, HX, HXE2, HXE8, HXU, HX2, HX26, HX4, KR KTA, LA1, LD, LH, LHB3, LHQ4, LJ, LJC7, LJG, LJS, LSJ4, LVL, LW2, LX, LXU, LX2, LX26 LX4, NJ, NJC1, NJG, NSJ, PHM, PX, PXU, QAB3, QAX2, QA2, QA26, QBC2, QBT6, QCB2, QCL QD, QE, QFE4, QGR2, QGR9, QH, QHE, QHP1, QHQ4, QH2, QH26, QI2, QKA4, QMC6, QMC8 QMD6, QME4, QMH, QMX2, QMZ2, QNT, QNT4, QNZ, QP, QPU, QSC2, QSC9, QS2, QT, QVL, QWA4 QWX2, QX, QXC, QXC6, QXC9, QXE, QXE2, QXE4, QXE6, QXE8, QXF2, QXM1, QXS2, QXU, QXW QX2, QX22, QX26, QX4, QX7, RD, RD4, RH, RHA2, RHQ4, RH2, RH26, RMB4, RMD, RMG2, RSK R5S1, RTB2, RX, RXE, RXE2, RXE4, RXU, RX4, SCJ, SD, SDS, SD16, SD4, SE, SG24, SH, SHM SHQ4, SHRY, SJ, SJC1, SJC5, SJG, SMC7, SMC9, SMJ, SMJ1, SMW2, SMX4, SM11, SM12 SM14, SNX, SNX1, SSK1, SSSX2, ST, STM, STQ, SWG4, SWX2, SWX4, SX, SXE, SXE4, SXS4 SXU, SX4, SX7, S1CY, TCS2, TX, TXC9, TXU, TX2, TX26, TX4, UXU, VA2, VEBM, VED, VED1 VED5, VED6, VGE4, VG24, VHA7, VHH4, VMS4, VMS7, VPM4, VPM5, VPM7, VPR4, VPR7, VSD VSD1, VSD7, VSX, VSX1, VSX3, VS17, VTH4, VTU1, VWA2, VW12, VX, VXD, VXD1, VXE4 VXE7, VXM, VXU, VXU1, VXW2, VX2, VX4, WDA6, WJP, WKD6, WKT2, WKT4, WKT6, WMBO, WME2 WME4, WMT
24	90015-ZE5-010	BOLT, GOVERNOR ARM	1	-	-	AR, ARC6, BL, EMA2, HG12, HH, HHQ4, HH26, HX, HXE2, HXE8, HXU, HX2, HX26, HX4, KR KTA, LA1, LD, LH, LHB3, LHQ4, LJ, LJC7, LJG, LJS, LSJ4, LVL, LW2, LX, LXU, LX2, LX26 LX4, NJ, NJC1, NJG, NSJ, PHM, PX, PXU, QAB3, QAX2, QA2, QA26, QBC2, QBT6, QCB2, QCL QD, QE, QFE4, QGR2, QGR9, QH, QHE, QHP1, QHQ4, QH2, QH26, QI2, QKA4, QMC6, QMC8 QMD6, QME4, QMH, QMX2, QMZ2, QNT, QNT4, QNZ, QP, QPU, QSC2, QSC9, QS2, QT, QVL, QWA4 QWX2, QX, QXC, QXC6, QXC9, QXE, QXE2, QXE4, QXE6, QXE8, QXF2, QXM1, QXS2, QXU, QXW QX2, QX22, QX26, QX4, QX7, RD, RD4, RH, RHA2, RHQ4, RH2, RH26, RMB4, RMD, RMG2, RSK R5S1, RTB2, RX, RXE, RXE2, RXE4, RXU, RX4, SCJ, SD, SDS, SD16, SD4, SE, SG24, SH, SHM SHQ4, SHRY, SJ, SJC1, SJC5, SJG, SMC7, SMC9, SMJ, SMJ1, SMW2, SMX4, SM11, SM12 SM14, SNX, SNX1, SSK1, SSSX2, ST, STM, STQ, SWG4, SWX2, SWX4, SX, SXE, SXE4, SXS4 SXU, SX4, SX7, S1CY, TCS2, TX, TXC9, TXU, TX2, TX26, TX4, UXU, VA2, VEBM, VED, VED1 VED2, VED3, VED5, VED6, VEN2, VES, VGE4, VG24, VHA7, VHH4, VMS4, VMS7, VMT, VPM4 VPM5, VPM7, VPR4, VPR7, VSB1, VSD, VSD1, VSD7, VSG, VSX, VSX1, VSX3, VS17, VS3, VS4 VTH4, VTU1, VWA2, VW12, VX, VXD, VXD1, VXE4, VXE7, VXM, VXU, VXU1, VXW2, VX2, VX4 WDA6, WJP, WKD6, WKT2, WKT4, WKT6, WMBO, WME2, WME4, WMT
25	90016-ZG9-N30	SCREW, RECESSED, 5X25	(1)	-	-	HHQ4, HX4, LHQ4, LSJ4, LX4, QE, QFE4, QHQ4, QKA4, QMC6, QMC8, QMD6, QME4, QNT, QNT4 QWA4, QXE4, QXW, QX4, QX7, RD4, RHQ4, RMB4, RSK, RXE4, RX4, SDS, SD4, SE, SG24, SHQ4 SMC7, SMC9, SMX4, SM14, SWG4, SXE4, SXS4, SX4, SX7, S1CY, TX4, VGE4, VG24, VHA7 VHH4, VMS4, VMS7, VPM4, VPM5, VPM7, VPR4, VPR7, VSD, VSD1, VSD7, VS17, VTH4, VXE4 VXE7, VX4, WKT4, WMBO
26	90114-SA0-000	NUT, SELF-LOCK, 6MM	1	-	-	AR, ARC6, BL, HG12, HH, HHQ4, HH26, HX, HXE2, HXE8, HXU, HX2, HX26, HX4, KR, KTA, LA1 LD, LH, LHB3, LHQ4, LJ, LJC7, LJG, LJS, LSJ4, LVL, LW2, LX, LXU, LX2, LX26, LX4, NJ NJC1, NJG, NSJ, PHM, PX, PXU, QAB3, QAX2, QA2, QA26, QBC2, QBT6, QCB2, QCL, QD, QE, QFE4, QGR2, QGR9, QH, QHE, QHP1, QHQ4, QH2, QH26, QI2, QKA4, QMC6, QMC8, QMD6, QME4 QMH, QMX2, QMZ2, QNT, QNT4, QNZ, QP, QPU, QSC2, QSC9, QS2, QT, QVL, QWA4, QWX2, QX QXC, QXC6, QXC9, QXE, QXE2, QXE4, QXE6, QXE8, QXF2, QXM1, QXS2, QXU, QXW, QX2, QX22 QX26, QX4, QX7, RD, RD4, RH, RHA2, RHQ4, RH2, RH26, RMB4, RMD, RMG2, RSK, R5S1, RTB2 RX, RXE, RXE2, RXE4, RXU, RX4, SCJ, SD, SDS, SD16, SD4, SE, SG24, SH, SHM, SHQ4, SHRY SJ, SJC1, SJC5, SJG, SMC7, SMC9, SMJ, SMJ1, SMW2, SMX4, SM11, SM12, SM14, SNX, SNX1 SSK1, SSSX2, ST, STM, STQ, SWG4, SWX2, SWX4, SX, SXE, SXE4, SXS4, SXU, SX4, SX7, S1CY TCS2, TX, TXC9, TXU, TX2, TX26, TX4, UXU, VA2, VEBM, VG24, VX, VXE4, VXE7, VXM, VXW2 VX2, VX4, WDA6, WJP, WKD6, WKT2, WKT4, WKT6, WMBO, WME2, WME4, WMT
27	90121-ZE0-000	SCREW, LOCK PAN	-	(1)	-	QXW, SJC1, SJC5
	93500-05020-0H	SCREW, PAN, 5X20	1	-	-	PHM, PX, PXU, TCS2, TX, TXC9, TXU, TX2, TX26, TX4, UXU, VA2, VX, VXW2, VX2, WDA6
	93500-05025-0A	SCREW, PAN, 5X25	1	-	-	WMBO, WME4, WMT



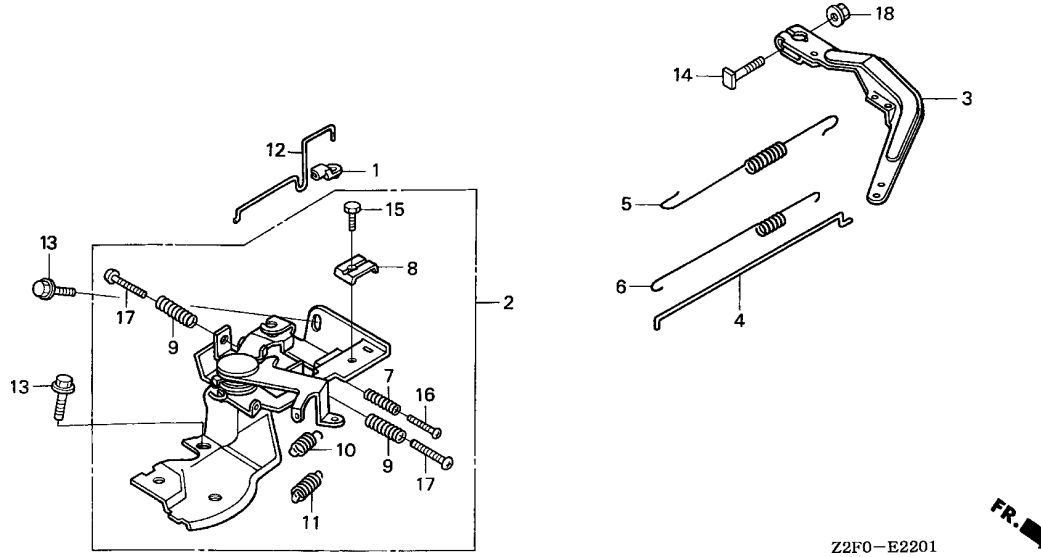


Z2F0-E2200

Ref. No.	Part No.	Description	Reqd. QTY		Serial No.	Parts catalogue code
			GX 160K1 (1)	GX 160K1 (2)		
27)	93500-05025-0H	SCREW, PAN, 5X25	1	-	-	AR, ARC6, BL, HG12, HH, HHQ4, HH26, HX, HXE2, HXE8, HXU, HX2, HX26, HX4, KR, KTA, LA1 LD, LH, LHB3, LHQ4, LJ, LJC7, LJG, LJS, LSJ4, LVL, LW2, LX, LXU, LX2, LX26, LX4, NJ NJC1, NJG, NSJ, QAB3, QAX2, QA2, QA26, QBC2, QBT6, QCB2, QCL, QD, QE, QFE4, QGR2 QGR9, QH, QHE, QHP1, QHQ4, QH2, QH26, QI2, QKA4, QMC6, QMC8, QMD6, QME4, QMH, QMX2 QMZ2, QNT, QNT4, QNZ, QP, QPU, QSC2, QSC9, QS2, QT, QVL, QWA4, QWX2, QX, QXC, QXC6 QXC9, QXE, QXE2, QXE4, QXE6, QXE8, QXF2, QXM1, QXS2, QXU, QX2, QX22, QX26, QX4, QX7 RD, RD4, RH, RHA2, RHQ4, RH2, RH26, RMB4, RMD, RMG2, RSK, RSS1, RTB2, RX, RXE, RXE2 RXE4, RXU, RX4, SCJ, SD, SDS, SD16, SD4, SE, SG24, SH, SHM, SHQ4, SHRY, SJ, SJG, SMC7 SMC9, SMJ, SMJ1, SMW2, SMX4, SM11, SM12, SM14, SNX, SNX1, SSK1, SSS2, ST, STM, STQ SWG4, SWX2, SWX4, SX, SXE, SXE4, SXS4, SXU, SX4, SX7, S1CY, VEBM, VG24, WJP, WKB6 WKT2, WKT4, WKT6, WME2
	93500-05032-0H	SCREW, PAN, 5X32	1	(1)	-	VXE4, VXE7, VXM, VX4
	93500-05035-0A	SCREW, PAN, 5X35	1	-	-	VED, VED1, VED5, VED6, VGE4, VHA7, VHH4, VMS4, VMS7, VPM4, VPM5, VPM7, VPR4, VSD VSD1, VSD7, VSX, VS17, VTH4, VTU1, VXD, VXU, VXU1
	93500-05040-0G	SCREW, PAN, 5X40	1	-	-	VPM5, VPR4, VPR7, VSX1, VSX3, VWA2, VW12, VXD1
28	90605-230-000	CIRCLIP, 5MM	1	-	-	AR, ARC6, HG12, KR, KTA, LA1, LJ, LJC7, LJG, LJS, LSJ4, NJ, NJC1, NJG, NSJ, QBC2, QI2 QMC8, QMD6, QME4, QMX2, QMZ2, QNT, QNT4, QNZ, QSC9, QWA4, QXC, QXC6, QXC9, QXW, RMD RSK, RSS1, SCJ, SG24, SHRY, SJ, SJG, SMC7, SMC9, SMJ, SMJ1, SMW2, SMX4, SM11, SM12 SM14, SNX, SNX1, ST, STM, STQ, SWG4, S1CY, VEBM, VG24, WJP, WKB6, WKT2, WKT4, WKT6 WME2
29	90605-230-000	CIRCLIP, 5MM	1	(1)	-	QNT, QNT4, QSC9, RSS1, SHRY, SMX4, SM11, SM12, SM14

Ref. No.	Part No.	Description	Reqd. QTY		Serial No.	Parts catalogue code
			GX 160K1 (1)	GX 160K1 (2)		
30	93500-04006-0H	SCREW, PAN, 4X6	1	-	-----	AR,ARC6,HG12,KR,KTA,LA1,LJ,LJC7,LJG,LJS,LSJ4,NJ,NJC1,NJG,NSJ,QBC2,QI2,QMC8,QMD6,QME4,QMX2,QMZ2,QNT,QNT4,QNZ,QSC9,QWA4,QXC,QXC6,QXC9,QXW,RMD,RSK,RSS1,SCJ,SG24,SHRY,SJ,SJG,SMC7,SMC9,SMJ,SMJ1,SMW2,SMX4,SM11,SM12,SM14,SNX,SNX1,ST,STM,STQ,SWG4,S1CY,VEBM,VG24,WJP,WKD6,WKT2,WKT4,WKT6,WME2
			-	(1)		
31	93500-04006-0H	SCREW, PAN, 4X6	1	-	-----	QNT,QNT4,QSC9,RSS1,SHRY,SMX4,SM11,SM12,SM14
32	93500-05016-0A	SCREW, PAN, 5X16	1	-	-----	AR,ARC6,BL,HG12,HH,HHQ4,HH26,HX,HXE2,HXE8,HXU,HX2,HX26,HX4,KR,KTA,LA1,LD,LH,LHB3,LHQ4,LJ,LJC7,LJG,LJS,LSJ4,LVL,LW2,LX,LXU,LX2,LX26,LX4,NJ,NJC1,NJG,NSJ,QAB3,QAX2,QA2,QA26,QBC2,QBT6,QCB2,QCL,QD,QE,QFE4,QGR2,QGR9,QH,QHE,QHP1,QHQ4,QH2,QH26,QI2,QKA4,QMC6,QMC8,QMD6,QME4,QMH,QMX2,QMZ2,QNT,QNT4,QNZ,QP,QPU,QSC2,QSC9,QS2,QT,QVL,QWA4,QWX2,QX,QXC,QXC6,QXC9,QXE,QXE2,QXE4,QXE6,QXE8,QXF2,QXM1,QXS2,QXU,QXW,QX2,QX22,QX26,QX4,QX7,RD,RD4,RH,RHA2,RHQ4,RH2,RH26,RMB4,RMD,RMG2,RSK,RSS1,RTB2,RX,RXE,RXE2,RXE4,RXU,RX4,SCJ,SD,SDS,SD16,SD4,SE,SG24,SH,SHM,SHQ4,SHRY,SJ,SJG,SMC7,SMC9,SMJ,SMJ1,SMW2,SMX4,SM11,SM12,SM14,SNX,SNX1,SSK1,SSX2,ST,STM,STQ,SWG4,SWX2,SWX4,SX,SXE,SXE4,SXS4,SXU,SX4,SX7,S1CY,VEBM,VG24,WJP,WKD6,WKT2,WKT4,WKT6,WME2
			-	(1)		
33	94050-06000	NUT, FLANGE, 6MM	1	-	-----	AR,ARC6,BL,EMA2,HG12,HH,HHQ4,HH26,HX,HXE2,HXE8,HXU,HX2,HX26,HX4,KR,KTA,LA1,LD,LH,LHB3,LHQ4,LJ,LJC7,LJG,LJS,LSJ4,LVL,LW2,LX,LXU,LX2,LX26,LX4,NJ,NJC1,NJG,NSJ,PHM,PX,PXU,QAB3,QAX2,QA2,QA26,QBC2,QBT6,QCB2,QCL,QD,QE,QFE4,QGR2,QGR9,QH,QHE,QHP1,QHQ4,QH2,QH26,QI2,QKA4,QMC6,QMC8,QMD6,QME4,QMH,QMX2,QMZ2,QNT,QNT4,QNZ,QP,QPU,QSC2,QSC9,QS2,QT,QVL,QWA4,QWX2,QX,QXC,QXC6,QXC9,QXE,QXE2,QXE4,QXE6,QXE8,QXF2,QXM1,QXS2,QXU,QXW,QX2,QX22,QX26,QX4,QX7,RD,RD4,RH,RHA2,RHQ4,RH2,RH26,RMB4,RMD,RMG2,RSK,RSS1,RTB2,RX,RXE,RXE2,RXE4,RXU,RX4,SCJ,SD,SDS,SD16,SD4,SE,SG24,SH,SHM,SHQ4,SHRY,SJ,SJC1,SJC5,SJG,SMC7,SMC9,SMJ,SMJ1,SMW2,SMX4,SM11,SM12,SM14,SNX,SNX1,SSK1,SSX2,ST,STM,STQ,SWG4,SWX2,SWX4,SX,SXE,SXE4,SXS4,SXU,SX4,SX7,S1CY,TCS2,TX,TXC9,TXU,TX2,TX26,TX4,UXU,VA2,VEBM,VED,VED1,VED2,VED3,VED5,VED6,VEN2,VES,VGE4,VG24,VHA7,VHH4,VMS4,VMS7,VMT,VPM4,VPM5,VPM7,VPR4,VPR7,VSB1,VSD,VSD1,VSD7,VSG,VSX,VSX1,VSX3,VS17,VS3,VS4,VTH4,VTU1,VWA2,VW12,VX,VXD,VXD1,VXE4,VXE7,VXM,VXU,VXU1,VXW2,VX2,VX4,WDA6,WJP,WKD6,WKT2,WKT4,WKT6,WMB0,WME2,WME4,WMT
			-	1		

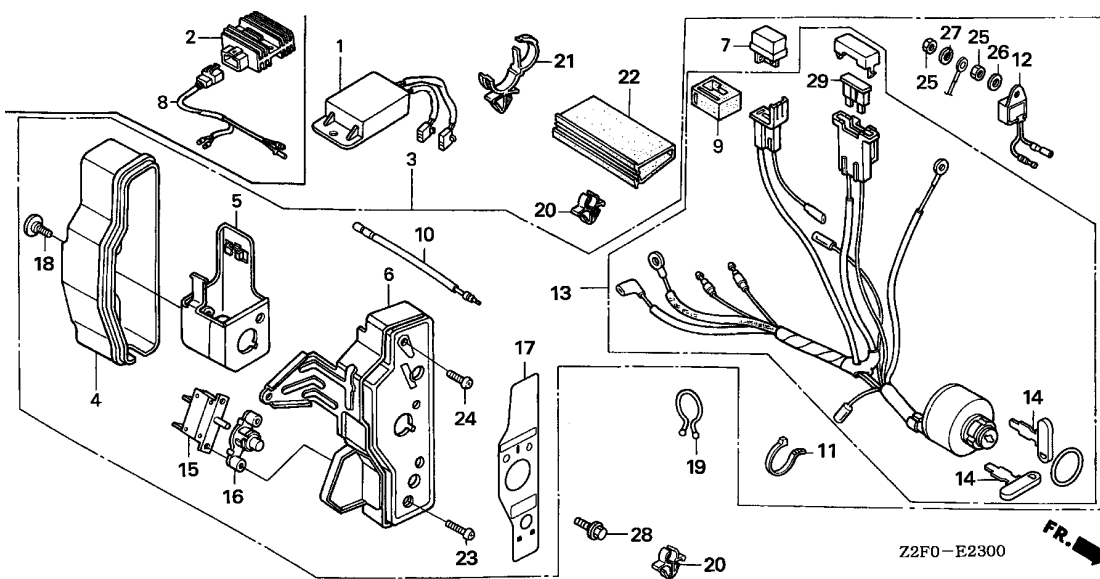




Z2F0-E2201

Service item	F.R.T.
JOINT, ROD	0.1
.SPRING, CABLE RETURN	
ROD, CHOKE	0.2
ARM, GOVERNOR	0.3
.CONTROL ASSY.	
.SPRING, GOVERNOR	
ROD, GOVERNOR	0.4
.SPRING, THROTTLE RETURN	

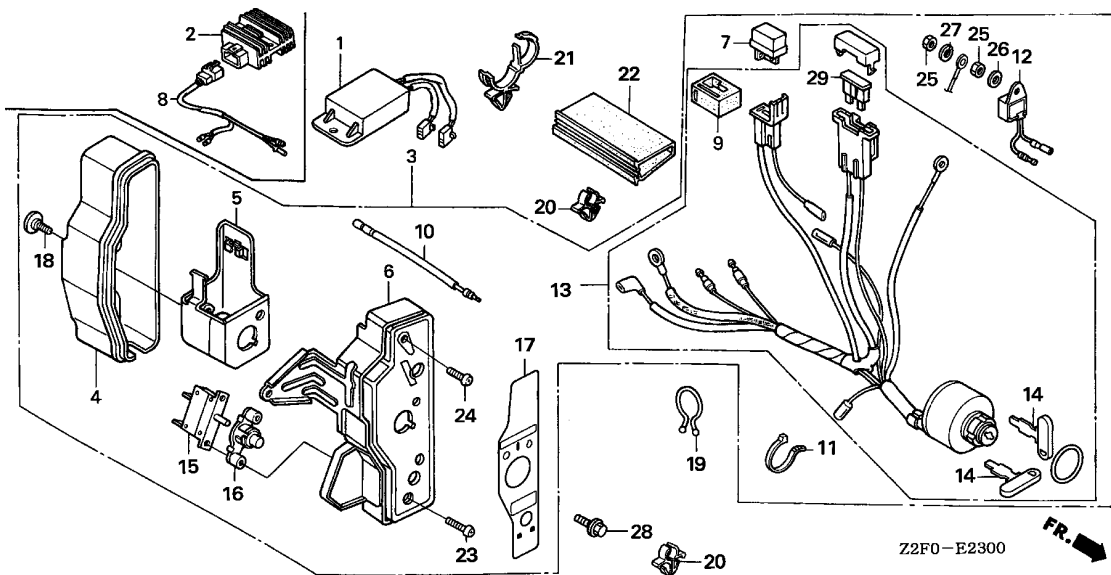
Ref. No.	Part No.	Description	Reqd. QTY		Serial No.	Parts catalogue code
			GX 160K1 (1)	GX 160K1 (2)		
1	16263-ZA0-000	JOINT, ROD	1	-	-----	SKM
2	16500-ZF1-H54	CONTROL ASSY.	1	-	-----	SKM
3	16551-ZE0-010	ARM, GOVERNOR	1	-	-----	SKM
4	16555-ZE1-000	ROD, GOVERNOR	1	-	-----	SKM
5	16561-ZE1-710	SPRING, GOVERNOR	1	-	-----	SKM
6	16562-ZE1-020	SPRING, THROTTLE RETURN	1	-	-----	SKM
7	16571-892-000	SPRING, CONTROL ADJUSTING ...	1	-	-----	SKM
8	16576-891-000	HOLDER, CABLE	1	-	-----	SKM
9	16584-883-300	SPRING, CONTROL ADJUSTING ...	2	-	-----	SKM
10	16592-ZE1-810	SPRING, CABLE RETURN	1	-	-----	SKM
11	16592-732-700	SPRING, CABLE RETURN	1	-	-----	SKM
12	16674-ZF1-H50	ROD, CHOKE	1	-	-----	SKM
13	90013-883-000	BOLT, FLANGE, 6X12(CT200) ...	2	-	-----	SKM
14	90015-ZE5-010	BOLT, GOVERNOR ARM	1	-	-----	SKM
15	92301-05016-0A	BOLT, RECESSED, 5X16	1	-	-----	SKM
16	93500-04020-OH	SCREW, PAN, 4X20	1	-	-----	SKM
17	93500-05020-OH	SCREW, PAN, 5X20	2	-	-----	SKM
18	94050-06000	NUT, FLANGE, 6MM	1	-	-----	SKM



Service item	F.R.T.
ALERT UNIT, OIL	0.1
.BOX ASSY., CONTROL	
.FUSE, BLADE	
.RECTIFIER ASSY., SILICON	
HARNESS ASSY., SUB WIRE	0.2
.PANEL COMP., CONTROL	
.PROTECTOR, CIRCUIT	
.RECTIFIER ASSY., REGULATOR	
.RECTIFIER COMP., REGULATOR	
.SWITCH ASSY., COMBINATION	

Ref. No.	Part No.	Description	Reqd. QTY		Serial No.	Parts catalogue code
			GX 160K1 (1)	GX 160K1 (2)		
1	31600-KE1-010	RECTIFIER COMP., REGULATOR ..	-	(1)		
2	31600-ZE2-861	RECTIFIER ASSY., REGULATOR (10A)	1	-	----- QAX2,QNZ,QSC2,QXW	
3	31610-ZE1-825ZD	BOX ASSY., CONTROL (INTL-ALERT)	-	(1)		
	R280POWER RED	-	(1)		
	31610-ZE1-835ZA	BOX ASSY., CONTROL (EXP-ALERT)	1	(1)	----- QXE2,Q1,S1	
	NH1BLACK	1	-	----- HXE2,HXE8,QXE,QXE2,QXE6,QXE8,RXE,RXE2,SXE	
	31610-ZE1-835ZG	*R280*.....POWER RED	-	(1)		
	31610-ZH8-R93ZD	BOX ASSY., CONTROL (EXP,10A)	1	-	----- QSC2,QXW	
	R280POWER RED	1	-	----- QKA4,QXE4,RXE4,SXE4,VXE4,VXE7	
	31610-ZK8-W42ZF	BOX ASSY., CONTROL (EXP-ALERT)	1	-	----- HXE2,HXE8,QKA4,QSC2,QXE,QXE2,QXE4,QXE6,QXE8,QXW,RXE,RXE2,RXE4,SXE	
4	31612-ZE2-003	CASE, CONTROL	-	(1)		
			1	-	----- HXE2,HXE8,QKA4,QSC2,QXE,QXE2,QXE4,QXE6,QXE8,QXW,RXE,RXE2,RXE4,SXE	
			-	(1)		
			1	-	----- HXE2,HXE8,QKA4,QSC2,QXE,QXE2,QXE4,QXE6,QXE8,QXW,RXE,RXE2,RXE4,SXE	
			-	(1)		
6	31615-ZE1-003ZA	PANEL COMP., CONTROL	1	(1)	----- QXE2,Q1,S1	
	NH1BLACK	1	-	----- HXE2,HXE8,QKA4,QSC2,QXE,QXE2,QXE4,QXE6,QXE8,QXW,RXE,RXE2,RXE4,SXE	
	31615-ZE1-003ZG	*R280*.....POWER RED	1	-	----- SXE4,VXE4,VXE7	
			-	(1)		





2

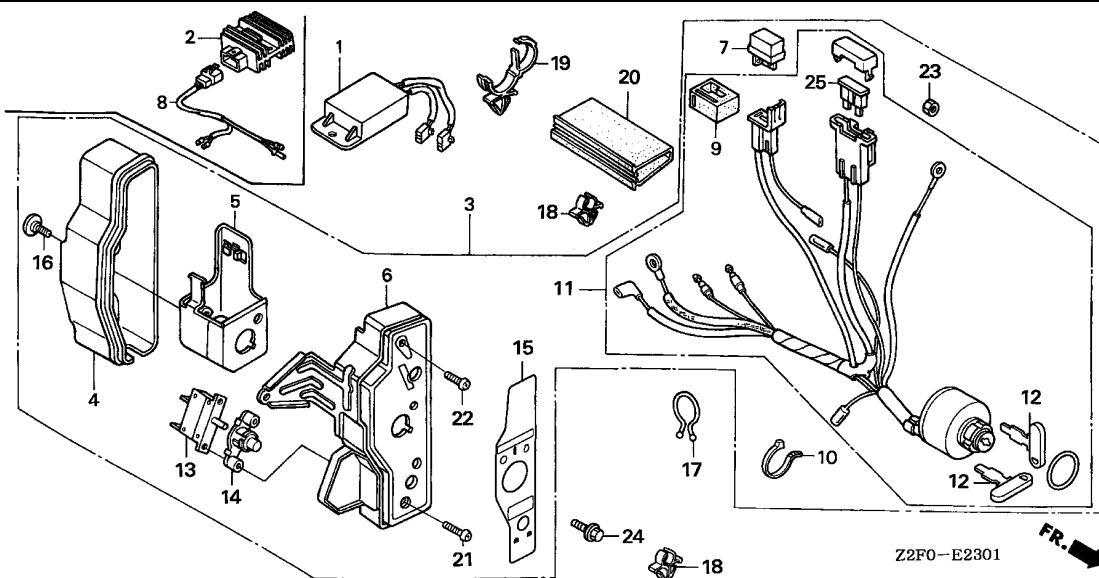
Ref. No.	Part No.	Description	Reqd. QTY		Serial No.	Parts catalogue code
			GX 160K1 (1)	GX 160K1 (2)		
7	31700-124-008	RECTIFIER ASSY., SILICON (SHINDENGEN)	1	-	-----	HXE2,HXE8,QKA4,QXE,QXE2,QXE4,QXE6,QXE8,RXE,RXE2,RXE4,SXE,SXE4,VXE4,VXE7
8	32110-ZB5-G30 32110-ZH8-W00	HARNESS ASSY., SUB WIRE	1	(1)	-----	QAX2,QNZ,QSC2,QXW
9	32127-738-700	SUSPENSION, COUPLER	1	-	-----	HXE2,HXE8,QKA4,QXE,QXE2,QXE4,QXE6,QXE8,RXE,RXE2,RXE4,SXE,SXE4,VXE4,VXE7
10	32197-ZE1-003	SUB HARNESS	1	(1)	-----	HXE2,HXE8,QKA4,QXE,QXE2,QXE4,QXE6,QXE8,RXE,RXE2,RXE4,SXE,SXE4,VXE4,VXE7
11	32902-892-003	BAND	1	-	-----	HXE2,HXE8,QKA4,QSC2,QXE,QXE2,QXE4,QXE6,QXE8,QXW,RXE,RXE2,RXE4,SXE,SXE4,VXE4,VXE7
12	34150-ZH7-003	ALERT UNIT, OIL	1	(1)	-----	HXE2,HXE8,QKA4,QSC2,QXE,QXE2,QXE4,QXE6,QXE8,QXW,RXE,RXE2,RXE4,SXE,SXE4,VXE4,VXE7
13	35100-ZE1-812	SWITCH ASSY., COMBINATION ...	1	(1)	-----	HXE2,HXE8,QKA4,QXE,QXE2,QXE4,QXE6,QXE8,RXE,RXE2,RXE4,SXE,SXE4,VXE4,VXE7
	35100-ZH8-R90	SWITCH ASSY., COMBINATION (10A CHG/RCM)	1	-	-----	QSC2,QXW
14	35111-880-013	KEY COMP.	2	(2)	-----	HXE2,HXE8,QKA4,QSC2,QXE,QXE2,QXE4,QXE6,QXE8,QXW,RXE,RXE2,RXE4,SXE,SXE4,VXE4,VXE7

Ref. No.	Part No.	Description	Reqd. QTY		Serial No.	Parts catalogue code
			GX 160K1 (1)	GX 160K1 (2)		
15	38240-VA3-900	PROTECTOR, CIRCUIT (1.0A) ...	1	-	-----	HXE2,HXE8,QKA4,QXE,QXE2,QXE4,QXE6,QXE8,RXE,RXE2,RXE4,SXE,SXE4,VXE4 VXE7
			-	(1)		
16	38250-ZA8-701	LENS ASSY., PROTECTOR	1	-	-----	HXE2,HXE8,QKA4,QXE,QXE2,QXE4,QXE6,QXE8,RXE,RXE2,RXE4,SXE,SXE4,VXE4 VXE7
			-	(1)		
17	87529-ZE2-020	PANEL, CONTROL BOX (INTERNAL)	1	-	-----	
	87529-ZE2-812	MARK, CONTROL BOX (EXP)	1	-	-----	HXE2,HXE8,QXE,QXE2,QXE6,QXE8,RXE,RXE2,SXE
			-	(1)		
	87529-ZH8-W41	MARK, CONTROL BOX (ENGLISH) .	1	-	-----	QSC2,QXW
	87529-ZH9-W41	1	-	-----	QKA4,QXE4,RXE4,SXE4,VXE4,VXE7
18	90380-MA6-010	SCREW, SPECIAL, 6X12	1	-	-----	HXE2,HXE8,QKA4,QSC2,QXE,QXE2,QXE4,QXE6,QXE8,QXW,RXE,RXE2,RXE4,SXE SXE4,VXE4,VXE7
			-	(1)		
19	90630-751-000	CLIP, PURSE LOCK	1	-	-----	HXE2,HXE8,QKA4,QSC2,QXE,QXE2,QXE4,QXE6,QXE8,QXW,RXE,RXE2,RXE4,SXE SXE4,VXE4,VXE7
			-	(1)		
20	90682-ZE1-000	CLIP, CORD	2	-	-----	HXE2,HXE8,QKA4,QSC2,QXE,QXE2,QXE4,QXE6,QXE8,QXW,RXE,RXE2,RXE4,SXE SXE4,VXE4,VXE7
			-	(2)		
21	90690-SAO-003	STRAP, WIRE HARNESS, 25MM (BLACK)	1	-	-----	HXE2,HXE8,QKA4,QSC2,QXE,QXE2,QXE4,QXE6,QXE8,QXW,RXE,RXE2,RXE4,SXE SXE4,VXE4,VXE7
			-	(1)		
22	91406-ZE2-003	TUBE, FASTENER, 30MM	1	-	-----	HXE2,HXE8,QKA4,QXE,QXE2,QXE4,QXE6,QXE8,RXE,RXE2,RXE4,SXE,SXE4,VXE4 VXE7
			-	(1)		
23	93500-03012-0H	SCREW, PAN, 3X12	2	-	-----	HXE2,HXE8,QKA4,QXE,QXE2,QXE4,QXE6,QXE8,RXE,RXE2,RXE4,SXE,SXE4,VXE4 VXE7
			-	(2)		
24	93500-04012-0H	SCREW, PAN, 4X12	1	-	-----	HXE2,HXE8,QKA4,QSC2,QXE,QXE2,QXE4,QXE6,QXE8,QXW,RXE,RXE2,RXE4,SXE SXE4,VXE4,VXE7
			-	(1)		
25	94001-04390-0S	NUT, HEX., 4MM	2	-	-----	HXE2,HXE8,QKA4,QSC2,QXE,QXE2,QXE4,QXE6,QXE8,QXW,RXE,RXE2,RXE4,SXE SXE4,VXE4,VXE7
			-	(2)		
26	94101-04800	WASHER, PLAIN, 4MM	1	-	-----	HXE2,HXE8,QKA4,QSC2,QXE,QXE2,QXE4,QXE6,QXE8,QXW,RXE,RXE2,RXE4,SXE SXE4,VXE4,VXE7
			-	(1)		
27	94111-04800	WASHER, SPRING, 4MM	1	-	-----	HXE2,HXE8,QKA4,QSC2,QXE,QXE2,QXE4,QXE6,QXE8,QXW,RXE,RXE2,RXE4,SXE SXE4,VXE4,VXE7
			-	(1)		
28	95701-06010-00	BOLT, FLANGE, 6X10	1	-	-----	HXE2,HXE8,QKA4,QSC2,QXE,QXE2,QXE4,QXE6,QXE8,QXW,RXE,RXE2,RXE4,SXE SXE4,VXE4,VXE7
			-	(1)		
29	98200-30500	FUSE, BLADE (5A)	1	-	-----	HXE2,HXE8,QKA4,QXE,QXE2,QXE4,QXE6,QXE8,RXE,RXE2,RXE4,SXE,SXE4,VXE4 VXE7
			-	(1)		
	98200-31500	FUSE, BLADE (15A)	1	-	-----	QSC2,QXW

E-23-1

CONTROL BOX(2)

L 9

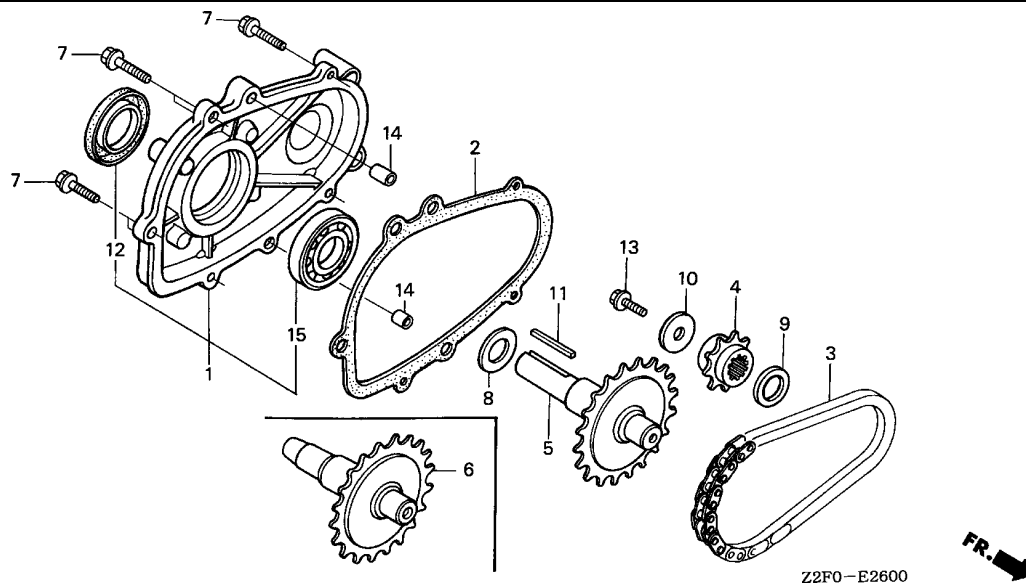


Service item	F.R.T.
BOX ASSY., CONTROL	0.1
.FUSE, BLADE	
.RECTIFIER ASSY., SILICON	
HARNESS ASSY., SUB WIRE	0.2
.PANEL COMP., CONTROL	
.PROTECTOR, CIRCUIT	
.RECTIFIER ASSY., REGULATOR	
.RECTIFIER COMP., REGULATOR	
.SWITCH ASSY., COMBINATION	

Ref. No.	Part No.	Description	Reqd. QTY		Serial No.	Parts catalogue code
			GX 160K1 (1)	GX 160K1 (2)		
1	31600-KE1-010	RECTIFIER COMP., REGULATOR ..	-	(1)		
2	31600-ZE2-861	RECTIFIER ASSY., REGULATOR (10A)	-	(1)		
3	31610-ZE1-013ZA	BOX ASSY., CONTROL (INTERNAL) *NH1*.....BLACK	-	(1)	-----	Q1,S1
	31610-ZE1-013ZD	*R280*.....POWER RED	-	(1)	-----	QHE
	31610-ZE1-812ZA	BOX ASSY., CONTROL (EXTERNAL) *NH1*.....BLACK	-	(1)	-----	Q1,S1
	31610-ZE1-812ZD	*R280*.....POWER RED	1	-	-----	QHE
4	31612-ZE2-003	CASE, CONTROL	1	-	-----	QHE
5	31614-ZE2-003	BRACKET, CASE MOUNTING	1	-	-----	QHE
6	31615-ZE1-003ZA	PANEL COMP., CONTROL *NH1*.....BLACK	-	(1)	-----	Q1,S1
	31615-ZE1-003ZG	*R280*.....POWER RED	1	-	-----	QHE
7	31700-124-008	RECTIFIER ASSY., SILICON (SHINDENGEN)	1	-	-----	QHE
8	32110-ZH8-W00	HARNESS ASSY., SUB WIRE	-	(1)	-----	QHE
9	32127-738-700	SUSPENSION, COUPLER	1	-	-----	QHE
10	32902-892-003	BAND	1	-	-----	QHE

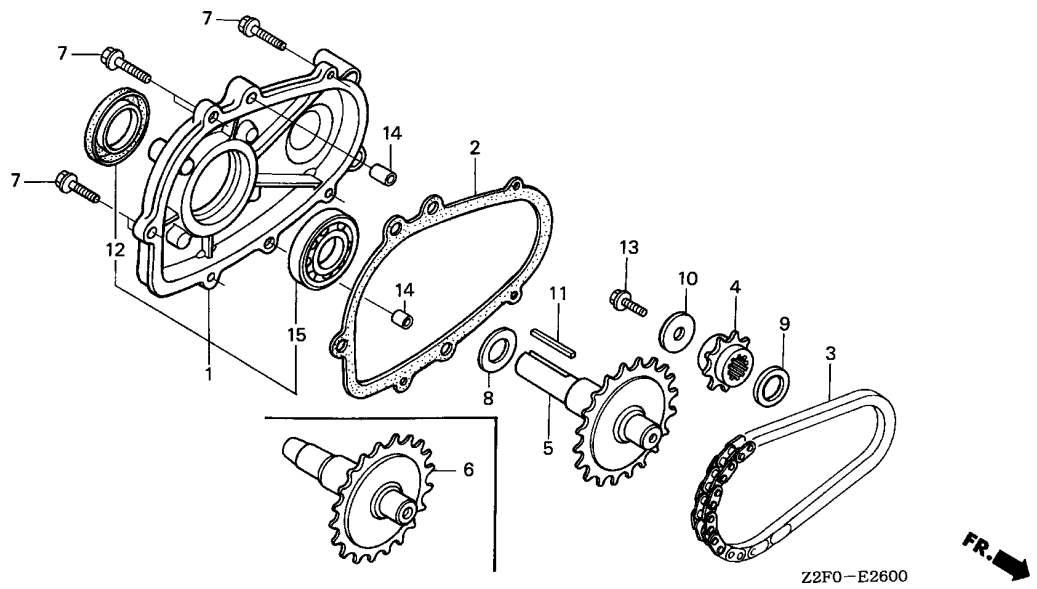
Ref. No.	Part No.	Description	Reqd. QTY		Serial No.	Parts catalogue code
			GX 160K1 (1)	GX 160K1 (2)		
11	35100-ZE1-812	SWITCH ASSY., COMBINATION ...	1	-	-----	QHE
			-	(1)		
12	35111-880-013	KEY COMP.	2	-	-----	QHE
			-	(2)		
13	38240-VA3-900	PROTECTOR, CIRCUIT (1.0A) ...	1	-	-----	QHE
			-	(1)		
14	38250-ZA8-701	LENS ASSY., PROTECTOR	1	-	-----	QHE
			-	(1)		
15	87529-ZE2-020	PANEL, CONTROL BOX (INTERNAL)	-	(1)		
	87529-ZE2-812	MARK, CONTROL BOX (EXP)	1	-	-----	QHE
16	90380-MA6-010	SCREW, SPECIAL, 6X12	1	-	-----	QHE
			-	(1)		
17	90630-751-000	CLIP, PURSE LOCK	1	-	-----	QHE
			-	(1)		
18	90682-ZE1-000	CLIP, CORD	2	-	-----	QHE
			-	(2)		
19	90690-SAO-003	STRAP, WIRE HARNESS, 25MM (BLACK)	1	-	-----	QHE
			-	(1)		
20	91406-ZE2-003	TUBE, FASTENER, 30MM	1	-	-----	QHE
			-	(1)		
21	93500-03012-0H	SCREW, PAN, 3X12	2	-	-----	QHE
			-	(2)		
22	93500-04012-0H	SCREW, PAN, 4X12	1	-	-----	QHE
			-	(1)		
23	94001-04390-0S	NUT, HEX., 4MM	1	-	-----	QHE
			-	(1)		
24	95701-06010-00	BOLT, FLANGE, 6X10	1	-	-----	QHE
			-	(1)		
25	98200-30500	FUSE, BLADE (5A)	1	-	-----	QHE
			-	(1)		





Service item	F.R.T.
COVER ASSY., CHAIN CASE	0.2
.OIL SEAL, 25X41X6	
.PACKING, CHAIN CASE COVER	
BEARING, RADIAL BALL, 6205	0.3
.CHAIN, P.T.O. DRIVE	
.SHAFT, P.T.O.	
.SPROCKET, DRIVE	

Ref. No.	Part No.	Description	Reqd. QTY		Serial No.	Parts catalogue code
			GX 160K1 (1)	GX 160K1 (2)		
1	11500-ZE1-611	COVER ASSY., CHAIN CASE	1	1	-----	LA1,LD,LH,LHB3,LHQ4,LJ,LJC7,LJG,LJS,LSJ4,LVL,LW2,LX,LXU,LX2,LX26,LX4,L1
2	11521-ZH8-800	PACKING, CHAIN CASE COVER	1	(1)	-----	LA1,LD,LH,LHB3,LHQ4,LJ,LJC7,LJG,LJS,LSJ4,LVL,LW2,LX,LXU,LX2,LX26,LX4,L1
3	14411-ZE1-611	CHAIN, P.T.O. DRIVE (DID317FM2-34LE)	1	1	-----	LA1,LD,LH,LHQ4,LJ,LJC7,LJG,LJS,LSJ4,LX,LXU,LX2,LX26,LX4,L1
	14411-ZF1-611	1	-	-----	LHB3,LVL,LW2
4	23110-ZE1-610	SPROCKET, DRIVE (13T)	1	1	-----	LA1,LD,LH,LHB3,LHQ4,LJ,LJC7,LJG,LJS,LSJ4,LVL,LW2,LX,LXU,LX2,LX26,LX4,L1
5	23710-ZE1-613	SHAFT, P.T.O. (26T)	1	1	-----	LD,LH,LHB3,LHQ4,LJ,LJC7,LJG,LJS,LSJ4,LVL,LW2,LX,LXU,LX2,LX26,LX4,L1
6	23710-ZE1-913	SHAFT, P.T.O.	1	-	-----	LA1
7	90015-883-000	BOLT, FLANGE, 6X28	5	5	-----	LA1,LD,LH,LHB3,LHQ4,LJ,LJC7,LJG,LJS,LSJ4,LVL,LW2,LX,LXU,LX2,LX26,LX4,L1
8	90456-ZE1-000	SPRING, THRUST	1	1	-----	LA1,LD,LH,LHB3,LHQ4,LJ,LJC7,LJG,LJS,LSJ4,LVL,LW2,LX,LXU,LX2,LX26,LX4,L1
9	90470-ZE1-000	SPACER, 20MM	1	1	-----	LA1,LD,LH,LHB3,LHQ4,LJ,LJC7,LJG,LJS,LSJ4,LVL,LW2,LX,LXU,LX2,LX26,LX4,L1
10	90471-ZE1-610	WASHER, 8MM	1	1	-----	LA1,LD,LH,LHB3,LHQ4,LJ,LJC7,LJG,LJS,LSJ4,LVL,LW2,LX,LXU,LX2,LX26,LX4,L1
11	90741-883-810	KEY, 5X5X33(YELLOW)	1	(1)	-----	LD,LH,LHB3,LHQ4,LJ,LJC7,LJG,LJS,LSJ4,LVL,LW2,LX,LXU,LX2,LX26,LX4,L1
12	91201-ZOT-801	OIL SEAL, 25X41X6	1	1	-----	LA1,LD,LH,LHB3,LHQ4,LJ,LJC7,LJG,LJS,LSJ4,LVL,LW2,LX,LXU,LX2,LX26,LX4,L1
13	92101-08025-0A	BOLT, HEX., 8X25	1	1	-----	LA1,LD,LH,LHB3,LHQ4,LJ,LJC7,LJG,LJS,LSJ4,LVL,LW2,LX,LXU,LX2,LX26,LX4,L1
14	94301-08140	DOWEL PIN, 8X14	2	2	-----	LA1,LD,LH,LHB3,LHQ4,LJ,LJC7,LJG,LJS,LSJ4,LVL,LW2,LX,LXU,LX2,LX26,LX4,L1



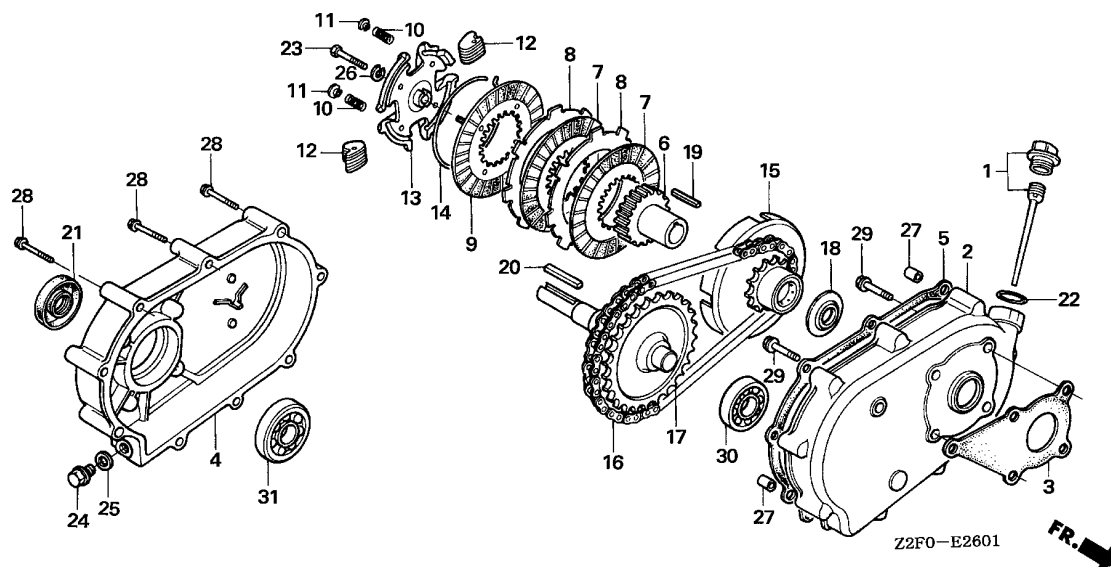
Ref. No.	Part No.	Description	Reqd. QTY		Serial No.	Parts catalogue code
			GX 160K1 (1)	GX 160K1 (2)		
15	96100-62050-00	BEARING, RADIAL BALL, 6205 ..	1	1	-----	LA1,LD,LH,LHB3,LHQ4,LJ,LJC7,LJG,LJS,LSJ4,LVL,LW2,LX,LXU,LX2,LX26,LX4 L1



E-26-1

REDUCTION(2)

L13

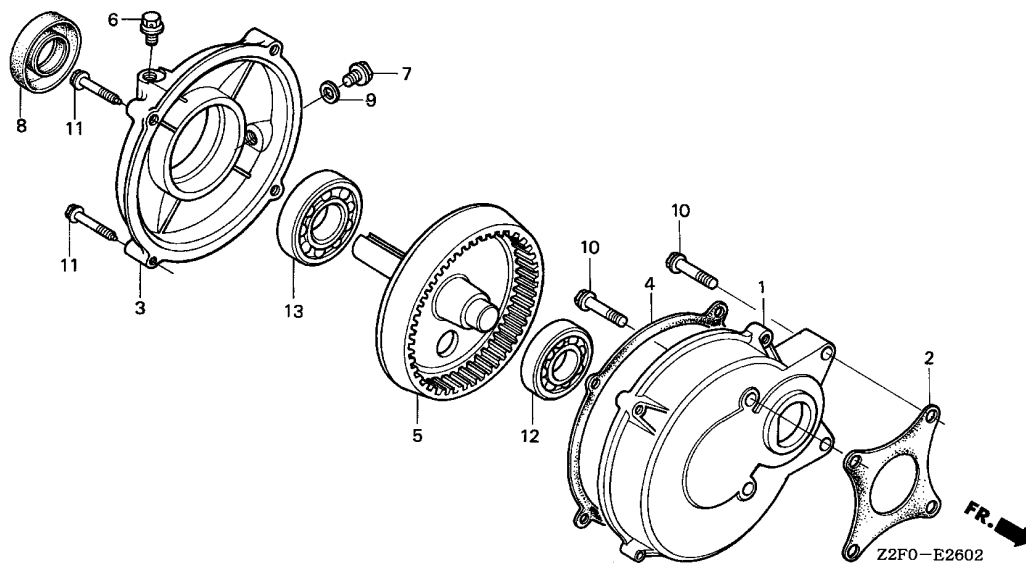


Service item	F.R.T.
PACKING, REDUCTION CASE	0.2
CASE, REDUCTION	0.3
.CHAIN, DRIVE	
.COVER, REDUCTION	
.DISK, CLUTCH FRICTION	
.OIL SEAL	
.PACKING, REDUCTION COVER	
.PLATE, CLUTCH	
.SHAFT COMP., P.T.O.	
BEARING, RADIAL BALL, 6205 ...	0.4
.BEARING, RADIAL BALL, 6206	

Ref. No.	Part No.	Description	Reqd. QTY		Serial No.	Parts catalogue code
			GX 160K1 (1)	GX 160K1 (2)		
1	15600-ZH7-000	CAP ASSY., OIL FILLER	1	1	-----	RD, RD4, RH, RHA2, RHQ4, RH2, RH26, RMB4, RMD, RMG2, RSK, RSS1, RTB2, RX, RXE, RXE2, RXE4, RXU, RX4, R1
2	21510-883-621	CASE, REDUCTION	1	1	-----	RD, RD4, RH, RHA2, RHQ4, RH2, RH26, RMB4, RMD, RMG2, RSK, RSS1, RTB2, RX, RXE, RXE2, RXE4, RXU, RX4, R1
3	21591-ZH8-620	PACKING, REDUCTION CASE	1	1	-----	RD, RD4, RH, RHA2, RHQ4, RH2, RH26, RMB4, RMD, RMG2, RSK, RSS1, RTB2, RX, RXE, RXE2, RXE4, RXU, RX4, R1
4	21610-822-611	COVER, REDUCTION	1	1	-----	RD, RD4, RH, RHA2, RHQ4, RH2, RH26, RMB4, RMD, RMG2, RSK, RSS1, RTB2, RX, RXE, RXE2, RXE4, RXU, RX4, R1
5	21691-ZH8-800	PACKING, REDUCTION COVER	1	1	-----	RD, RD4, RH, RHA2, RHQ4, RH2, RH26, RMB4, RMD, RMG2, RSK, RSS1, RTB2, RX, RXE, RXE2, RXE4, RXU, RX4, R1
6	22121-883-620	CENTER, CLUTCH	1	1	-----	RD, RD4, RH, RHA2, RHQ4, RH2, RH26, RMB4, RMD, RMG2, RSK, RSS1, RTB2, RX, RXE, RXE2, RXE4, RXU, RX4, R1
7	22201-822-610	DISK, CLUTCH FRICTION	2	2	-----	RD, RD4, RH, RHA2, RHQ4, RH2, RH26, RMB4, RMD, RMG2, RSK, RSS1, RTB2, RX, RXE, RXE2, RXE4, RXU, RX4, R1
8	22311-822-610	PLATE, CLUTCH	2	2	-----	RD, RD4, RH, RHA2, RHQ4, RH2, RH26, RMB4, RMD, RMG2, RSK, RSS1, RTB2, RX, RXE, RXE2, RXE4, RXU, RX4, R1
9	22350-822-610	PLATE COMP., CLUTCH PRESSURE	1	1	-----	RD, RD4, RH, RHA2, RHQ4, RH2, RH26, RMB4, RMD, RMG2, RSK, RSS1, RTB2, RX, RXE, RXE2, RXE4, RXU, RX4, R1
10	22411-822-611	SPRING, CLUTCH FREE	4	4	-----	RD, RD4, RH, RHA2, RHQ4, RH2, RH26, RMB4, RMD, RMG2, RSK, RSS1, RTB2, RX, RXE, RXE2, RXE4, RXU, RX4, R1
11	22421-822-610	HOLDER, CLUTCH SPRING	4	4	-----	RD, RD4, RH, RHA2, RHQ4, RH2, RH26, RMB4, RMD, RMG2, RSK, RSS1, RTB2, RX, RXE, RXE2, RXE4, RXU, RX4, R1
12	22521-822-610	WEIGHT, CLUTCH	48	48	-----	RD, RD4, RH, RHA2, RHQ4, RH2, RH26, RMB4, RMD, RMG2, RSK, RSS1, RTB2, RX, RXE, RXE2, RXE4, RXU, RX4, R1
13	22531-883-620	HOLDER, CLUTCH WEIGHT	1	1	-----	RD, RD4, RH, RHA2, RHQ4, RH2, RH26, RMB4, RMD, RMG2, RSK, RSS1, RTB2, RX, RXE, RXE2, RXE4, RXU, RX4, R1

Ref. No.	Part No.	Description	Reqd. QTY		Serial No.	Parts catalogue code
			GX 160K1 (1)	GX 160K1 (2)		
14	22535-822-610	CENTER, CLUTCH WEIGHT	1	1	-----	RD, RD4, RH, RHA2, RHQ4, RH2, RH26, RMB4, RMD, RMG2, RSK, RSS1, RTB2, RX, RXE, RXE2, RXE4, RXU, RX4, R1
15	23120-883-620	SPROCKET COMP., DRIVE	1	1	-----	RD, RD4, RH, RHA2, RHQ4, RH2, RH26, RMB4, RMD, RMG2, RSK, RSS1, RTB2, RX, RXE, RXE2, RXE4, RXU, RX4, R1
16	23161-822-611	CHAIN, DRIVE (RK428SH-36LE) .	1	1	-----	RD, RD4, RH, RHA2, RHQ4, RH2, RH26, RMB4, RMD, RMG2, RSK, RSS1, RTB2, RX, RXE, RXE2, RXE4, RXU, RX4, R1
17	23711-ZH8-S70 23711-822-610	SHAFT COMP., P.T.O. (MIDGETY) SHAFT COMP., P.T.O. (28T) ...	1 1	- 1	-----	RMD RD, RD4, RH, RHA2, RHQ4, RH2, RH26, RMB4, RMG2, RSK, RSS1, RTB2, RX, RXE, RXE2, RXE4, RXU, RX4, R1
18	90403-883-620	WASHER, THRUST, 20MM	1	1	-----	RD, RD4, RH, RHA2, RHQ4, RH2, RH26, RMB4, RMD, RMG2, RSK, RSS1, RTB2, RX, RXE, RXE2, RXE4, RXU, RX4, R1
19	90741-883-621	KEY, 5MM	1	1	-----	RD, RD4, RH, RHA2, RHQ4, RH2, RH26, RMB4, RMD, RMG2, RSK, RSS1, RTB2, RX, RXE, RXE2, RXE4, RXU, RX4, R1
20	90741-889-810	KEY, 7X7X33(YELLOW)	1	1	-----	RD, RD4, RH, RHA2, RHQ4, RH2, RH26, RMB4, RMD, RMG2, RSS1, RTB2, RX, RXE, RXE2, RXE4, RXU, RX4, R1
21	91202-805-610	OIL SEAL (PJ30507)	1	1	-----	RD, RD4, RH, RHA2, RHQ4, RH2, RH26, RMB4, RMD, RMG2, RSK, RSS1, RTB2, RX, RXE, RXE2, RXE4, RXU, RX4, R1
22	91301-805-000	O-RING, 26X2.7	1	1	-----	RD, RD4, RH, RHA2, RHQ4, RH2, RH26, RMB4, RMD, RMG2, RSK, RSS1, RTB2, RX, RXE, RXE2, RXE4, RXU, RX4, R1
23	92101-08035-0A	BOLT, HEX., 8X35	1	1	-----	RD, RD4, RH, RHA2, RHQ4, RH2, RH26, RMB4, RMD, RMG2, RSK, RSS1, RTB2, RX, RXE, RXE2, RXE4, RXU, RX4, R1
24	92800-12000	BOLT, DRAIN PLUG, 12MM	1	1	-----	RD, RD4, RH, RHA2, RHQ4, RH2, RH26, RMB4, RMD, RMG2, RSK, RSS1, RTB2, RX, RXE, RXE2, RXE4, RXU, RX4, R1
25	94109-12000	WASHER, DRAIN PLUG, 12MM	1	1	-----	RD, RD4, RH, RHA2, RHQ4, RH2, RH26, RMB4, RMD, RMG2, RSK, RSS1, RTB2, RX, RXE, RXE2, RXE4, RXU, RX4, R1
26	94111-08800	WASHER, SPRING, 8MM	1	1	-----	RD, RD4, RH, RHA2, RHQ4, RH2, RH26, RMB4, RMD, RMG2, RSK, RSS1, RTB2, RX, RXE, RXE2, RXE4, RXU, RX4, R1
27	94301-08100	DOWEL PIN, 8X10	2	2	-----	RD, RD4, RH, RHA2, RHQ4, RH2, RH26, RMB4, RMD, RMG2, RSK, RSS1, RTB2, RX, RXE, RXE2, RXE4, RXU, RX4, R1
28	95701-06055-00	BOLT, FLANGE, 6X55	9	9	-----	RD, RD4, RH, RHA2, RHQ4, RH2, RH26, RMB4, RMD, RMG2, RSK, RSS1, RTB2, RX, RXE, RXE2, RXE4, RXU, RX4, R1
29	95701-08022-00	BOLT, FLANGE, 8X22	5	5	-----	RD, RD4, RH, RHA2, RHQ4, RH2, RH26, RMB4, RMD, RMG2, RSK, RSS1, RTB2, RX, RXE, RXE2, RXE4, RXU, RX4, R1
30	96100-62050-00	BEARING, RADIAL BALL, 6205 ..	1	1	-----	RD, RD4, RH, RHA2, RHQ4, RH2, RH26, RMB4, RMD, RMG2, RSK, RSS1, RTB2, RX, RXE, RXE2, RXE4, RXU, RX4, R1
31	96100-62060-00	BEARING, RADIAL BALL, 6206 ..	1	1	-----	RD, RD4, RH, RHA2, RHQ4, RH2, RH26, RMB4, RMD, RMG2, RSK, RSS1, RTB2, RX, RXE, RXE2, RXE4, RXU, RX4, R1





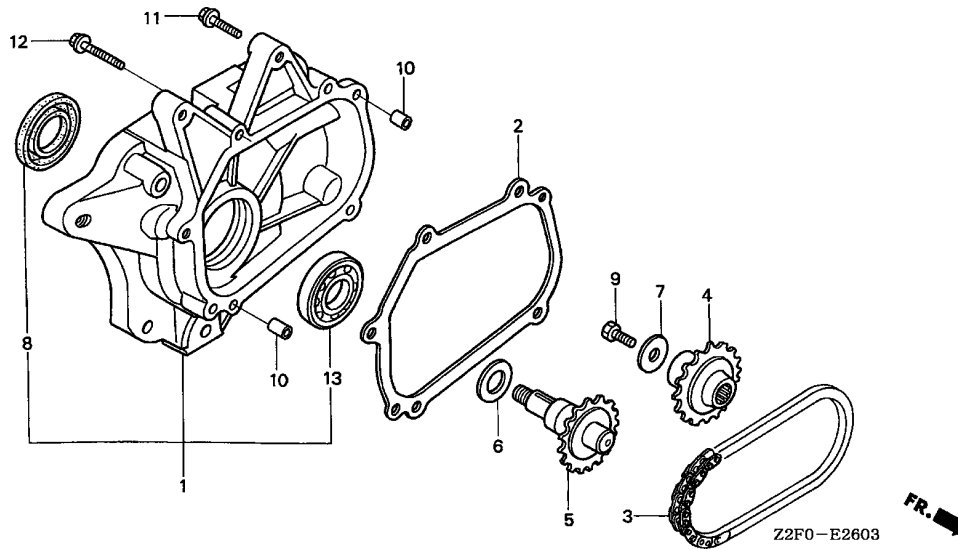
Service item	F.R.T.
BEARING, RADIAL BALL, 6305 ...	0.2
.CASE, REDUCTION	
.COVER, REDUCTION	
.OIL SEAL, 25X41X6	
.PACKING, REDUCTION CASE	
.SHAFT, P.T.O.	
BEARING, RADIAL BALL, 6204 ...	0.3

Ref. No.	Part No.	Description	Reqd. QTY		Serial No.	Parts catalogue code
			GX 160K1 (1)	GX 160K1 (2)		
1	21521-883-741	CASE, REDUCTION	1	-	-----	HG12,HH,HHQ4,HH26,HX,HXE2,HXE8,HXU,HX2,HX26,HX4
2	21591-ZH8-740	PACKING, REDUCTION CASE	1	-	-----	HG12,HH,HHQ4,HH26,HX,HXE2,HXE8,HXU,HX2,HX26,HX4
3	21621-883-741	COVER, REDUCTION	1	-	-----	HG12,HH,HHQ4,HH26,HX,HXE2,HXE8,HXU,HX2,HX26,HX4
4	21692-ZH8-800	PACKING, REDUCTION COVER	1	-	-----	HG12,HH,HHQ4,HH26,HX,HXE2,HXE8,HXU,HX2,HX26,HX4
5	23710-883-740	SHAFT, P.T.O.	1	-	-----	HG12,HH,HHQ4,HH26,HX,HXE2,HXE8,HXU,HX2,HX26,HX4
6	90002-883-740	BOLT, BREATHING	1	-	-----	HG12,HH,HHQ4,HH26,HX,HXE2,HXE8,HXU,HX2,HX26,HX4
7	90131-883-000	BOLT, DRAIN PLUG, 12X15	1	-	-----	HG12,HH,HHQ4,HH26,HX,HXE2,HXE8,HXU,HX2,HX26,HX4
8	91201-Z0T-801	OIL SEAL, 25X41X6	1	-	-----	HG12,HH,HHQ4,HH26,HX,HXE2,HXE8,HXU,HX2,HX26,HX4
9	94109-12000	WASHER, DRAIN PLUG, 12MM	1	-	-----	HG12,HH,HHQ4,HH26,HX,HXE2,HXE8,HXU,HX2,HX26,HX4
10	95701-08032-08	BOLT, FLANGE, 8X32	4	-	-----	HG12,HH,HHQ4,HH26,HX,HXE2,HXE8,HXU,HX2,HX26,HX4
11	95701-08035-00	BOLT, FLANGE, 8X35	4	-	-----	HG12,HH,HHQ4,HH26,HX,HXE2,HXE8,HXU,HX2,HX26,HX4
12	96100-62040-00	BEARING, RADIAL BALL, 6204 ..	1	-	-----	HG12,HH,HHQ4,HH26,HX,HXE2,HXE8,HXU,HX2,HX26,HX4
13	96100-63050-00	BEARING, RADIAL BALL, 6305 ..	1	-	-----	HG12,HH,HHQ4,HH26,HX,HXE2,HXE8,HXU,HX2,HX26,HX4

E-26-3

REDUCTION(4)

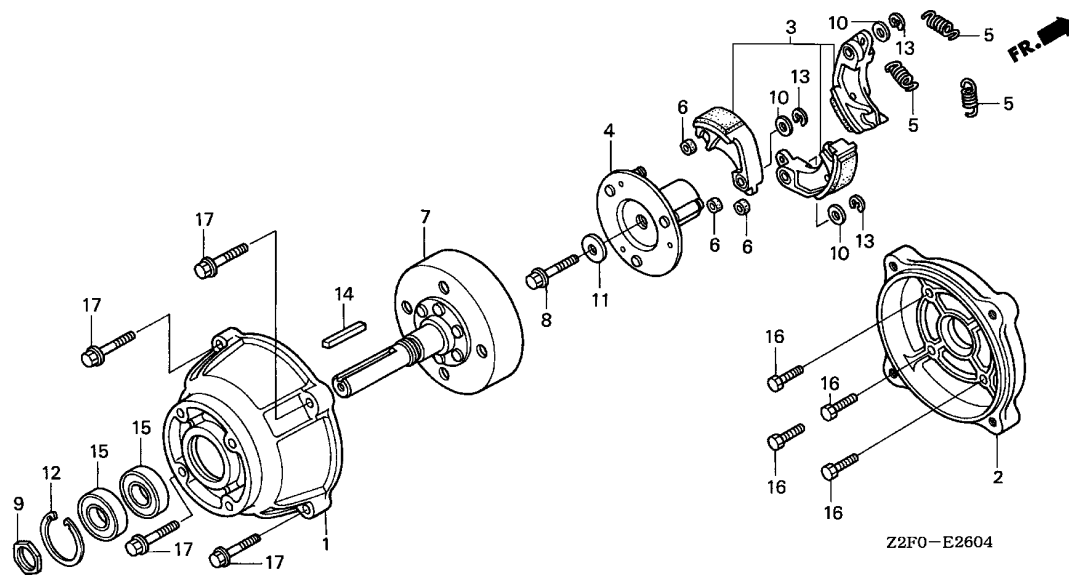
L16



Service item	F.R.T.
CHAIN, P.T.O. DRIVE	0.4
.COVER ASSY., CHAIN CASE	
.OIL SEAL, 25X38X7	
.SHAFT, P.T.O.	
.SPROCKET, DRIVE	
BEARING, RADIAL BALL, 6005 ...	0.5

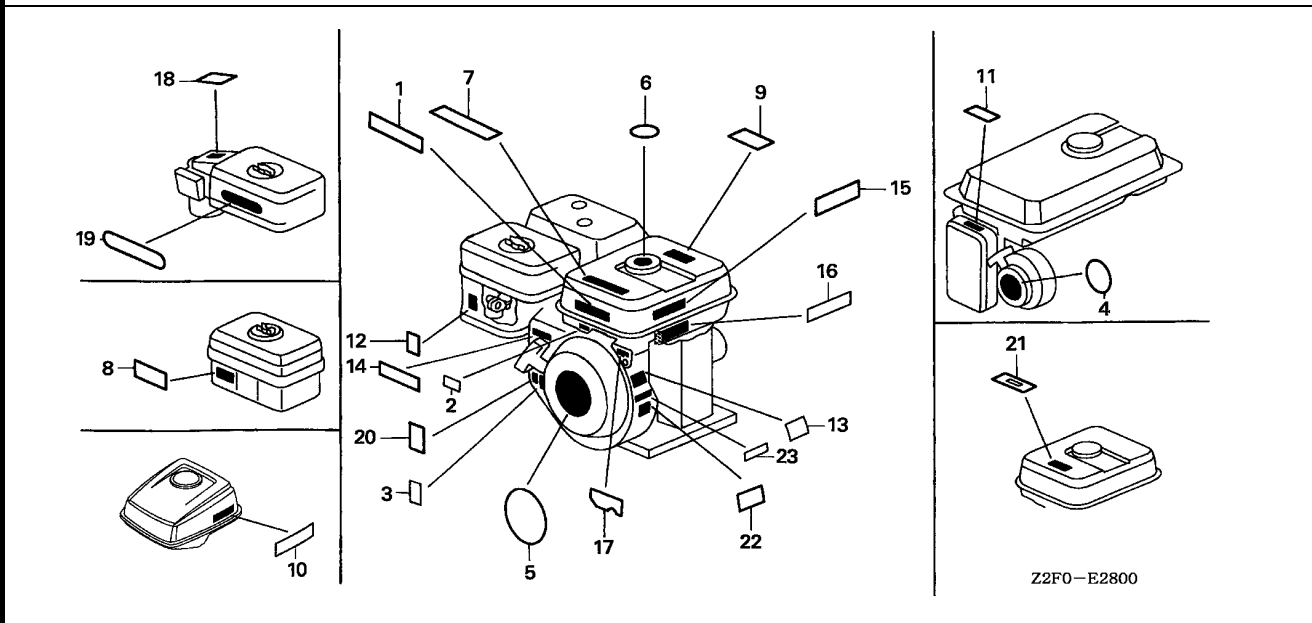
Ref. No.	Part No.	Description	Reqd. QTY		Serial No.	Parts catalogue code
			GX 160K1 (1)	GX 160K1 (2)		
1	11500-ZK7-V00	COVER ASSY., CHAIN CASE	1	-	-----	AR,ARC6,KR
2	11521-ZK7-V00	PACKING, CHAIN CASE COVER ...	1	-	-----	AR,ARC6,KR
3	14411-ZK7-V01	CHAIN, P.T.O. DRIVE	1	-	-----	AR,ARC6,KR
4	23121-ZK7-V00	SPROCKET, DRIVE (17T)	1	-	-----	AR,ARC6,KR
5	23151-ZK7-V00	SHAFT, P.T.O.	1	-	-----	AR,ARC6,KR
6	90456-ZE1-000	SPRING, THRUST	1	-	-----	AR,ARC6,KR
7	90471-ZE1-610	WASHER, 8MM	1	-	-----	AR,ARC6,KR
8	91252-888-003	OIL SEAL, 25X38X7(ARAI)	1	-	-----	AR,ARC6,KR
9	92101-08025-0A	BOLT, HEX., 8X25	1	-	-----	AR,ARC6,KR
10	94303-08140	DOWEL PIN, 8X14	2	-	-----	AR,ARC6,KR
11	95701-08035-00	BOLT, FLANGE, 8X35	4	-	-----	AR,ARC6,KR
12	95701-08055-00	BOLT, FLANGE, 8X55	1	-	-----	AR,ARC6,KR
13	96100-60050-00	BEARING, RADIAL BALL, 6005 ..	1	-	-----	AR,ARC6,KR

2



Service item	F.R.T.
BEARING, RADIAL BALL, 6005 ... (SAME TIME FOR TWO UNITS)	0.3
.COVER, CLUTCH	
.SHAFT COMP., P.T.O.	
PLATE COMP., DRIVE	0.4
CASE, CLUTCH	0.5
.WEIGHT SET, CLUTCH	

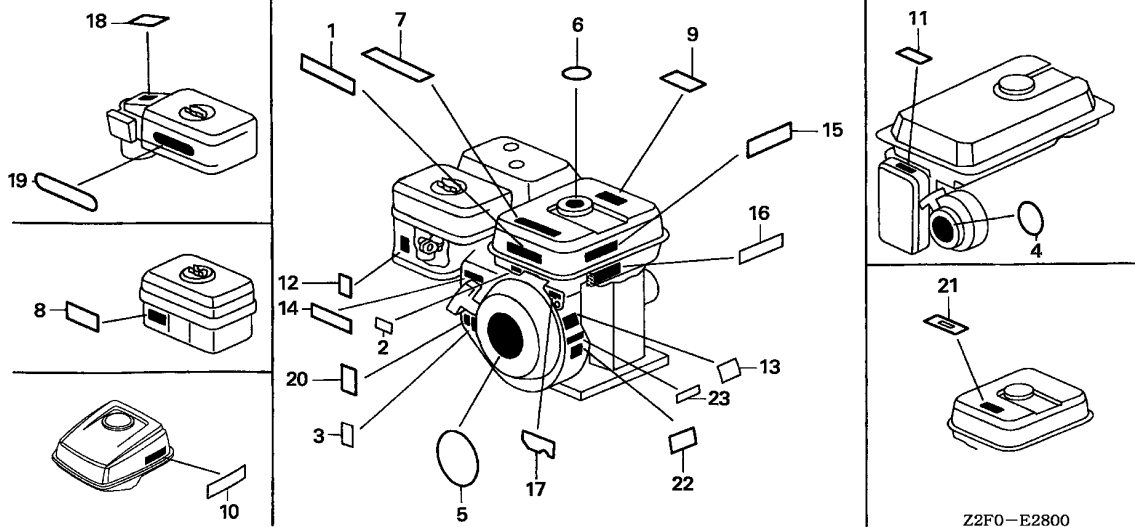
Ref. No.	Part No.	Description	Reqd. QTY		Serial No.	Parts catalogue code
			GX 160K1 (1)	GX 160K1 (2)		
1	21121-ZLO-W80	COVER, CLUTCH	1	-	-----	BL
2	21512-ZLO-W80	CASE, CLUTCH	1	-	-----	BL
3	22010-ZLO-W80	WEIGHT SET, CLUTCH	(1)	-	-----	BL
4	22350-ZLO-W81	PLATE COMP., DRIVE	1	-	-----	BL
5	22401-ZLO-W81	SPRING, CLUTCH	3	-	-----	BL
6	22804-148-000	RUBBER, CLUTCH DAMPER	3	-	-----	BL
7	23150-ZLO-W81	SHAFT COMP., P.T.O.	1	-	-----	BL
8	90101-GBL-000	BOLT, FLANGE, 8X35	1	-	-----	BL
9	90202-881-000	NUT, LOCK, 24MM	1	-	-----	BL
10	90442-KG8-000	WASHER, 9X16X1.4	3	-	-----	BL
11	90471-435-770	WASHER, 8MM	1	-	-----	BL
12	90602-ZLO-W80	CIRCLIP, INTERNAL, 47	1	-	-----	BL
13	90605-166-720	CIRCLIP, 7MM	3	-	-----	BL
14	90745-ZE1-600	KEY, 4.78X4.78X38	1	-	-----	BL
15	91008-ZLO-W81	BEARING, RADIAL BALL, 6005 ..	2	-	-----	BL
16	95701-08022-00	BOLT, FLANGE, 8X22	4	-	-----	BL
17	95701-08035-00	BOLT, FLANGE, 8X35	4	-	-----	BL



Service item	F.R.T.
NO INFORMATION	-

Ref. No.	Part No.	Description	Reqd. QTY		Serial No.	Parts catalogue code
			GX 160K1 (1)	GX 160K1 (2)		
1	87101-733-000	MARK, TOP	-	(1)		
	87520-ZH8-000	MARK A, COMBINATION	1	-	-----	LA1,LJ,LJC7,LJG,LJS,NJ,NJG,NSJ,QXM1,RMD,RSS1,SCJ,SJ,SJC1,SJC5,SJG,SMJ,SMJ1,SM11,SNX,SNX1,VED5,WJP
	87522-ZH9-010	LABEL, CAUTION	1	-	-----	BL,HG12,HH,HH26,HX,HXE2,HXE8,HXU,HX2,HX26,KTA,LD,LH,LHB3,LVL,LW2,LX,LXU,LX2,LX26,PHM,PX,PXU,QAB3,QAX2,QA2,QA26,QBT6,QCB2,QD,QGR2,QGR9,QH,QHE,QHP1,QH2,QH26,QI2,QMH,QMX2,QMZ2,QNZ,QP,QSC2,QSC9,QS2,QVL,QWA4,QWX2,QX,QXC,QXC6,QXC9,QXE,QXE2,QXE6,QXE8,QXF2,QXS2,QXU,QX2,QX22,QX26,RD,RH,RH2,RH26,RMG2,RTB2,RX,RXE,RXE2,RXU,SD,SD16,SG24,SH,SHM,SMW2,SM12,SSK1,SSX2,STQ,SWX2,SX,SXE,SXS4,SXU,TX,TCX9,TXU,TX2,TX26,UXU,VA2,VEBM,VED,VED1,VED6,VG24,VSX,VSX1,VSX3,VWA2,VX,VXM,VXU,VXU1,VX2,WDA6,WKD6,WKT2,WKT6,WME2,WMT
2	87525-ZH8-810	EMBLEM, UPPER (EXTERNAL)	-	(1)		
	87135-ZE2-020	LABEL, E-SPEC (15.5X27.5) ...	1	-	-----	BL,HH,HHQ4,HX,HXE8,HXU,HX4,KTA,LA1,LD,LH,LHB3,LHQ4,LJ,LJC7,LJG,LJS,LSJ4,LVL,LW2,LX,LXU,LX4,NJ,NJC1,NJG,NSJ,PHM,PX,PXU,QAB3,QD,QE,QFE4,QH,QHE,QHP1,HHQ4,QKA4,QMC6,QMC8,QMD6,QME4,QMH,QNT,QNT4,QNZ,QP,QPU,QVL,QX,QXC,QXE,QXE4,QXE8,QXM1,QXU,QXW,QX4,QX7,RD,RD4,RH,RHQ4,RMB4,RMD,RSK,RSS1,RX,RXE,RXE4,RXU,RX4,SCJ,SD,SDS,SD4,SE,SH,SHM,SHQ4,SHRY,SJ,SJC1,SJC5,SJG,SMC7,SMC9,SMJ,SMJ1,SMX4,SM11,SM14,SSK1,STQ,SWX4,SX,SXE,SXE4,SXU,SX4,SX7,S1CY,TX,TXU,TX4,UXU,VEBM,VED,VED1,VED5,VED6,VED6,VED6,VES,VMS4,VMS7,VSD,VSD7,VSG,VSX,VSX1,VSX3,VX,VXD,VXD1,VXE4,VXE7,VXM,VXU,VXU1,VX4,WDA6,WJP,WKD6,WKT4,WMB0,WME4,WMT
3	87135-ZE2-020	LABEL, E-SPEC (15.5X27.5) ...	1	-	-----	ARC6,KR,SKM,ST,STM,SWG4,VED3,VGE4,VHA7,VHH4,VMT,VPM4,VPM7,VPR7,VS1,VSD1,VS17,VS3,VS4,VTH4,VTU1
4	87502-ZB2-601	MARK, OIL ALERT	1	-	-----	VS1,VSG,VS3,VS4



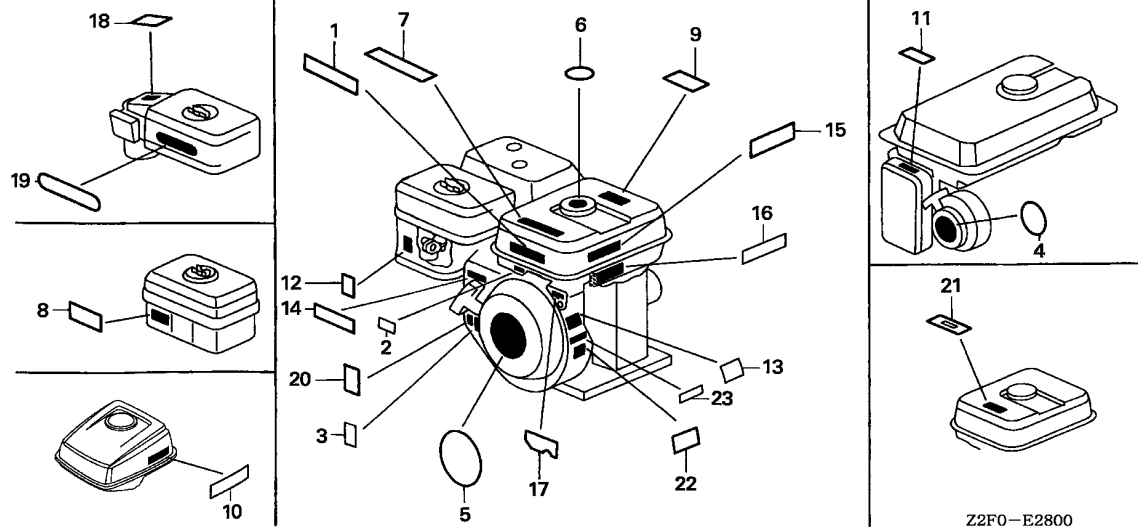


Z2F0-E2800

Ref. No.	Part No.	Description	Reqd. QTY		Serial No.	Parts catalogue code
			GX 160K1 (1)	GX 160K1 (2)		
5	87521-ZH8-030	EMBLEM (5.5)	1	-	-----	AR, ARC6, EMA2, HH, HHQ4, HH26, HX, HXE2, HXE8, HXU, HX2, HX26, HX4, KR, KTA, LA1, LD, LH, LHB3, LHQ4, LJ, LJC7, LJG, LSJ4, LW2, LX, LXU, LX2, LX26, LX4, NJ, NJG, NSJ, PHM, PX, PXU, QAB3, QAX2, QA2, QA26, QBC2, QBT6, QCB2, QCL, QD, QE, QFE4, QGR2, QGR9, QH, QHE, QHP1, QHQ4, QH2, QH26, QI2, QKA4, QMC6, QMC8, QMD6, QME4, QMH, QMX2, QMZ2, QNT, QNT4, QNZ, QP, QPU, QSC2, QSC9, QS2, QWA4, QWX2, QX, QXC, QXC6, QXC9, QXE, QXE2, QXE4, QXE6, QXE8, QXF2, QXM1, QXS2, QXU, QXW, QX2, QX22, QX26, QX4, QX7, RD, RD4, RH, RHA2, RHQ4, RH2, RH26, RMB4, RMD, RMG2, RSK, RSS1, RTB2, RX, RXE, RXE2, RXE4, RXU, RX4, SCJ, SD, SDS, SD16, SD4, SE, SG24, SH, SHM, SHQ4, SHRY, SJ, SJC1, SJG, SMC7, SMC9, SMJ, SMJ1, SMW2, SMX4, SM11, SM12, SM14, SSK1, SSSX2, ST, STM, STQ, SWX2, SWX4, SX, SXE, SXE4, SXS4, SXU, SX4, SX7, S1CY, TCS2, TX, TXC9, TXU, TX2, TX26, TX4, UXU, VA2, VEBM, VED, VED1, VED2, VED3, VED5, VED6, VEN2, VES, VG24, VHA7, VHH4, VMS4, VMS7, VMT, VSD, VSD1, VSD7, VS17, VTH4, VTU1, VWA2, VW12, VX, VXD, VXD1, VXE4, VXE7, VXM, VXU, VXU1, VXW2, VX2, VX4, WDA6, WJP, WKD6, WKT2, WKT4, WKT6, WMBO, WME2, WME4, WMT
	87521-ZK8-W81	EMBLEM	1	(1)	-----	BL
	87521-Z8K-801	1	-	-----	LVL, QVL
	87521-733-T03	PLATE, EMBLEM	1	-	-----	QT
6	87522-ZE1-810	MARK, CAUTION	1	-	-----	BL, LHB3, LVL, QAB3, QT, QVL, ST, STM
7	87522-ZH8-W41	MARK, CAUTION	1	-	-----	HHQ4, HX4, LHQ4, LSJ4, LX4, QE, QFE4, QHQ4, QKA4, QMC6, QMC8, QMD6, QME4, QNT, QNT4, QPU, QXE4, QXW, QX4, RD4, RHQ4, RMB4, RSK, RXE4, RX4, SDS, SD4, SE, SHQ4, SHRY, SMC7, SMC9, SMX4, SM14, SWG4, SWX4, SXE4, SXS4, SX4, S1CY, TX4, VMS4, VSD, VTH4, VXE4, VX4, WKT4, WMBO, WME4

Ref. No.	Part No.	Description	Reqd. QTY		Serial No.	Parts catalogue code
			GX 160K1 (1)	GX 160K1 (2)		
(7)	87522-ZH9-010	LABEL, CAUTION	1	-	-----	BL, HG12, HH, HH26, HX, HXE2, HXE8, HXU, HX2, HX26, KTA, LD, LH, LHB3, LVL, LW2, LX, LXU, LX2, LX26, PHM, PX, PXU, QAB3, QAX2, QA2, QA26, QBT6, QCB2, QD, QGR2, QGR9, QH, QHE, QHP1, QH2, QH26, QI2, QMH, QMX2, QM22, QNZ, QP, QSC2, QSC9, QS2, QVL, QWA4, QWX2, QX, QXC, QXC6, QXC9, QXE, QXE2, QXE6, QXE8, QXF2, QXS2, QXU, QX2, QX22, QX26, RD, RH, RH2, RH26, RMG2, RTB2, RX, RXE, RXE2, RXU, SD, SD16, SG24, SH, SHM, SMW2, SM12, SSK1, SSSX2, STQ, SWX2, SX, SXE, SXS4, SXU, TX, TXC9, TXU, TX2, TX26, UXU, VA2, VEBM, VED, VED1, VED6, VG24, VSX, VSX1, VSX3, VWA2, VX, VXM, VXU, VXU1, VX2, WDA6, WKD6, WKT2, WKT6, WME2, WMT
	87522-ZH9-821	LABEL, CAUTION (THAI)	1	-	-----	QT
8	87524-883-690	MARK, AIR CLEANER CAUTION (OIL BATH) (ARABIC)	1	-	-----	LW2, QT
9	87526-ZH8-000	MARK B, COMBINATION	1	-	-----	LA1, LJ, LJC7, LJG, NJ, NJG, NSJ, QXM1, RMD, RSS1, SCJ, SJ, SJC1, SJC5, SJG, SMJ, SMJ1, SM11, SNX, SNX1, VED5, WJP
10	87526-ZH8-000	MARK B, COMBINATION	1	-	-----	LJS
11	87528-ZB2-630	MARK, CHOKE	1	-	-----	VPM4, VPM5, VPM7, VPR4, VPR7
12	87528-ZE1-690	MARK, CHOKE (THAI)	1	-	-----	QT
	87528-ZE1-810	MARK, CHOKE	1	-	-----	AR, ARC6, BL, HH, HH26, HX, HXE2, HXE8, HXU, HX2, HX26, KR, KTA, LA1, LD, LH, LHB3, LJ, LJC7, LJG, LJS, LVL, LW2, LX, LXU, LX2, LX26, NJ, NJG, NSJ, PHM, PX, PXU, QAB3, QAX2, QA2, QA26, QBT6, QCB2, QCL, QD, QGR2, QGR9, QH, QHE, QHP1, QH2, QH26, QI2, QMH, QMX2, QM22, QP, QS2, QVL, QWA4, QWX2, QX, QXC, QXC6, QXC9, QXE, QXE2, QXE6, QXE8, QXF2, QXM1, QXS2, QXU, QX2, QX22, QX26, RD, RH, RHA2, RH2, RH26, RMD, RMG2, RSS1, RTB2, RX, RXE, RXE2, RXU, SCJ, SD, SD16, SH, SHM, SJ, SJC1, SJC5, SJG, SKM, SMJ, SMJ1, SMW2, SM11, SM12, SNX, SNX1, SSK1, SSSX2, STQ, SWX2, SX, SXE, SXU, TCS2, TX, TXC9, TXU, TX2, TX26, UXU, VA2, VEBM, VED, VED1, VED5, VED6, VSX, VSX1, VSX3, VTU1, VWA2, VW12, VX, VXD, VXD1, VXM, VXU, VXU1, VXXW2, VX2, WDA6, WJP, WKD6, WKT2, WKT6, WME2, WMT
	87528-733-E91	MARK, CHOKE (H=34)	1	-	-----	HHQ4, HX4, LHQ4, LSJ4, LX4, QBC2, QE, QFE4, QHQ4, QKA4, QMC6, QMC8, QMD6, QME4, QNT, QNT4, QPU, QWA4, QXE4, QXW, QX4, QX7, RD4, RHQ4, RMB4, RSK, RXE4, RX4, SDS, SD4, SE, SG24, SHQ4, SHRY, SMC7, SMC9, SMX4, SM14, SWX4, SXE4, SXS4, SX4, SX7, S1CY, TX4, VG24, VHA7, VHH4, VMS4, VMS7, VSD, VSD7, VXE4, VXE7, VX4, WKT4, WMBO, WME4, QXM1, RMD, RSS1, SCJ, SJ, SJC1, SJC5, SJG, SMJ, SMJ1, SM11, SSK1, ST, STM, VXD, VXD1, WJP
13	87530-ZH8-010	LABEL, SPECIFICATION	1	-	-----	LA1, LJ, LJC7, LJG, LJS, NJ, NJG, NSJ
	87530-ZH8-821	LABEL, SPECIFICATION (5.5PS)	1	-	-----	SNX, SNX1
14	87532-ZH8-W40	MARK, THROTTLE INDICATION ...	1	-	-----	HHQ4, HX4, LHQ4, LSJ4, LX4, QBC2, QE, QFE4, QHQ4, QKA4, QMC6, QMC8, QMD6, QME4, QNT, QNT4, QPU, QWA4, QXE4, QXW, QX4, QX7, RD4, RHQ4, RMB4, RSK, RXE4, RX4, SDS, SD4, SE, SG24, SHQ4, SMC7, SMC9, SMX4, SM14, SWG4, SWX4, SXE4, SXS4, SX4, SX7, S1CY, TX4, VG24, VXE4, VXE7, VX4, WKT4, WMBO, WME4
15	87532-ZH8-000	MARK, OIL ALERT (INTERNAL) ..	1	-	-----	LA1, LJC7, QXM1, SJC1, SJC5, SMJ, SMJ1, SNX, SNX1, VED5, VXD, VXD1
	87532-ZH8-810	MARK, OIL ALERT (EXTERNAL) ..	1	-	-----	HG12, HX, HXE2, HXE8, HXU, HX2, HX26, LX, LXU, LX2, LX26, PX, PXU, QAX2, QBT6, QCL, QGR2, QGR9, QI2, QMH, QMX2, QSC2, QSC9, QS2, QWA4, QWX2, QX, QXC, QXC6, QXC9, QXE, QXE2, QXE6, QXE8, QXF2, QXS2, QXU, QX2, QX22, QX26, RX, RXE, RXE2, RXU, SG24, SMW2, SM12, SSSX2, SWX2, SX, SXE, SXS4, SXU, TCS2, TX, TXC9, TXU, TX2, TX26, UXU, VA2, VEBM, VED1, VED6, VG24, VTU1, VWA2, VW12, VX, VXM, VXU, VXU1, VXXW2, VX2, WKD6, WKT2, WKT6, WME2, WMT
16	87532-ZH8-810	MARK, OIL ALERT (EXTERNAL) ..	1	-	-----	VSX, VSX1, VSX3
17	87532-ZH9-W41	MARK, ENGINE SWITCH	1	-	-----	VSD1, VS17
18	87534-ZE1-841	LABEL, AIR CLEANER CAUTION ..	1	-	-----	QNT4, QSC2, QSC9, QXC, QXC6, QXC9, TXC9
			-	(1)		

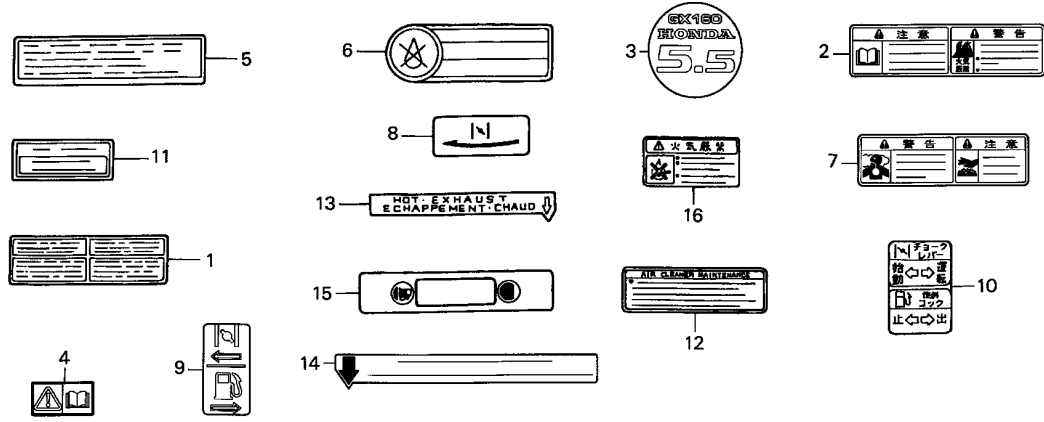




Z2F0-E2800



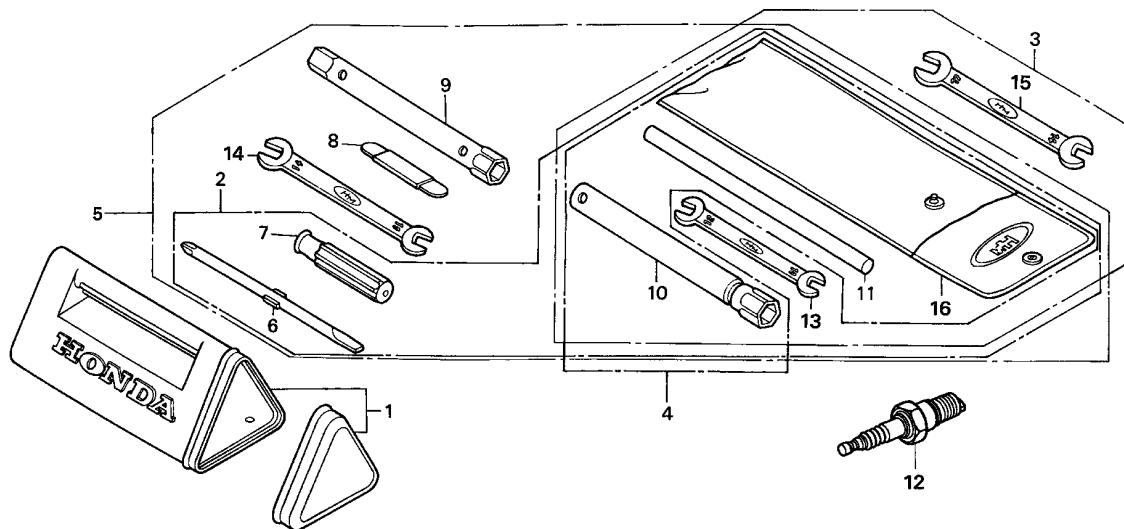
Ref. No.	Part No.	Description	Reqd. QTY		Serial No.	Parts catalogue code
			GX 160K1 (1)	GX 160K1 (2)		
19	87535-ZE1-841	MARK, AIR CLEANER SALES POINT	1	-	-----	QNT4,QSC2,QSC9,QXC,QXC6,QXC9,TXC9
20	87535-ZH8-V00	MARK, CARBURETOR DRAIN	1	(1)	-----	ST,STM
21	87565-ZE2-000	MARK, FUEL (INTERNAL)	1	-	-----	LJG,NJG,NSJ,RSS1,SJG,SMJ,SMJ1,SNX,SNX1,VED5
	87565-ZE2-810	MARK, FUEL (EXTERNAL)	1	(1)	-----	QSC2,VSX3
22	87594-ZB4-A00	MARK, OIL CAUTION	1	-	-----	VED2,VED3,VEN2,VES
23	87637-ZM3-800	MARK (C-TICK)	1	-	-----	HXE8,HXU,LXU,PXU,QXE8,QXU,RXE,RXU,SXU,TXU,UXU,VXU1



Service item F.R.T.
NO INFORMATION

ZZF0-E2801

Ref. No.	Part No.	Description	Reqd. QTY		Serial No.	Parts catalogue code
			GX 160K1 (1)	GX 160K1 (2)		
1	78141-YB3-610	MARK, CAUTION (PUMP)	1	-	-----	QX22
2	87520-ZH8-000	MARK A, COMBINATION	1	-	-----	KR, SKM, VXD, VXD1
3	87521-ZH8-030	EMBLEM (5.5)	1	-	-----	HG12, LJC7, SJC5, SWG4, VPM4, VPM5, VPM7, VPR4, VPR7, VSX, VSX1, VSX3
4	87522-ZH8-W41	MARK, CAUTION	1	-	-----	QBC2, QWA4
5	87522-ZH9-010	LABEL, CAUTION	1	-	-----	AR, ARC6, QBC2, QCL, TCS2, VTU1
6	87522-883-660	MARK, CAUTION (ENGLISH/FRENCH/SPANISH)	1	-	-----	VED2, VED3, VEN2, VES
7	87526-ZH8-000	MARK B, COMBINATION	1	-	-----	KR, NJC1, SKM, VXD, VXD1
8	87528-ZB2-630	MARK, CHOKE	1	-	-----	EMA2, VED2, VED3, VEN2, VES, VMT, VSB1, VSD1, VSG, VS17, VS3, VS4
9	87528-ZE1-810	MARK, CHOKE	1	-	-----	QBC2
10	87528-777-000	MARK, CHOKE	1	-	-----	SM11
11	87532-ZB4-H50	MARK, OIL ALERT (FRENCH)	1	-	-----	HX26, LX26, QBT6, QXC6, QXE6, QX26, TX26, VED6, WKD6, WKT6
	87532-ZH8-810	MARK, OIL ALERT (EXTERNAL)	1	-	-----	QCL, QX22, VTU1
12	87533-ZC0-630	MARK, AIR CLEANER	1	-	-----	EMA2, VED2, VED3, VEN2, VES, VMT, VSB1, VSG, VS3, VS4
13	87539-ZB2-630	MARK, EX. CAUTION	1	-	-----	VED2, VED3, VEN2, VES
14	87539-898-620	MARK, EX. CAUTION (ENGLISH/FRENCH)	1	-	-----	VMT, VSB1, VSG, VS3, VS4
15	87565-ZB4-A00	PLATE, FUEL INDICATION	1	-	-----	VED2, VED3, VES, VMT, VSG
16	87593-737-A00	MARK, USE FUEL	1	-	-----	SNX, SNX1

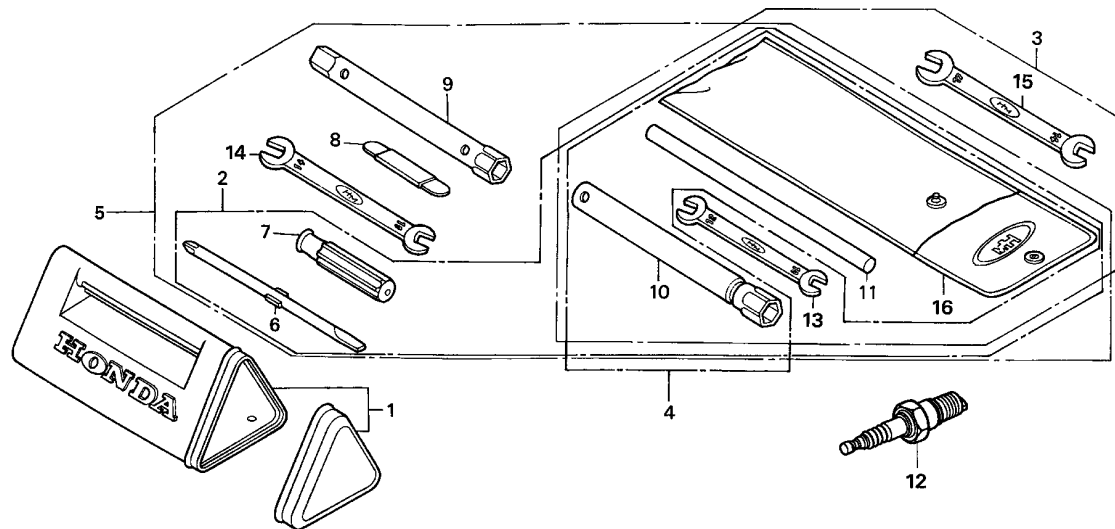


Service item F.R.T.
NO INFORMATION

Z2F0-E2900

2

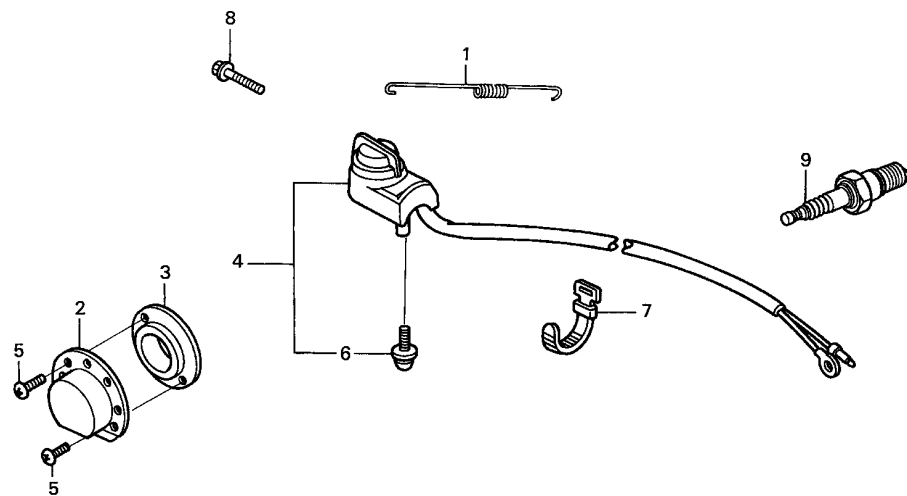
Ref. No.	Part No.	Description	Reqd. QTY		Serial No.	Parts catalogue code
			GX 160K1 (1)	GX 160K1 (2)		
1	83501-ZF1-000	BOX, TOOL	1	-	-----	LHB3,LW2,QAB3,QT,VSB1
2	89000-ZB6-000	TOOL KIT	1	-	-----	LVL,QVL
3	89000-ZE1-000	TOOL KIT	1	-	-----	PHM,QHP1,QP,SHM,SWG4,VXM
			-	(1)		
4	89000-ZH7-T00	TOOL KIT	1	-	-----	BL
5	89001-ZF1-000	BAG SET, TOOL	1	-	-----	LHB3,LW2,QAB3,QT,VSB1
6	89102-538-000	SHAFT, SCREW DRIVER	1	-	-----	LHB3,LW2,QAB3,QT,VSB1
	99003-30000	DRIVER MINUS SCREW 3,(NO.2) ..	1	-	-----	LVL,QVL
7	89103-538-000	GRIP	1	-	-----	LHB3,LW2,QAB3,QT,VSB1
	99003-50000	GRIP, SCREW DRIVER	1	-	-----	LVL,QVL
8	89210-ZF1-000	GAUGE ASSY., THICKNESS	1	-	-----	LHB3,LW2,QAB3,QT,VSB1
9	89216-ZF1-000	WRENCH, BOX	1	-	-----	LHB3,LW2,QAB3,QT,VSB1
10	89216-357-000	WRENCH, BOX (P21)	1	-	-----	NJC1
	89216-809-000	WRENCH, PLUG	1	-	-----	SMJ,SMW2
			-	(1)		
	89218-ZE1-000	WRENCH COMP., SPARK PLUG	1	-	-----	AR,ARC6,BL,EMA2,KR,KTA,LA1,LHB3,LJ,LJC7,LJG,LSJ4,LW2,NJ,NJG,NSJ,PHM,QAB3,QBC2,QHP1,QMC8,QMD6,QMX2,QMZ2,QNT4,QP,QSC2,QSC9,QT,QWA4,RMD,RSS1,SCJ,SHM,SHRY,SJ,SJC1,SJC5,SJG,SMC7,SMC9,SMJ1,SMX4,SM11,SM12,SM14,SNX,SNX1,SSK1,SSX2,ST,STM,STQ,SWG4,S1CY,VED,VED1,VED5,VED6,VSB1,VSX,VSX1,VSX3,VXD,VXD1,VXM,WDA6,WJP,WKD6,WKT2,WKT4,WKT6,WMB0,WME2,WME4,WMT
			(1)	-	-----	LJS,QA2,QA26,QNT,QXC,QXC6,QXC9,TXC9,VEBM,VG24
			-	(1)		
	99004-21001	WRENCH, BOX (P21)	1	-	-----	VED2,VED3,VEN2,VES,VMT,VSG,VS3,VS4
	99004-21002	1	-	-----	QFE4
	99004-21003	1	-	-----	LVL,QVL



Z2F0-E2900

Ref. No.	Part No.	Description	Reqd. QTY		Serial No.	Parts catalogue code
			GX 160K1 (1)	GX 160K1 (2)		
11	89219-805-000	HANDLE, BOX WRENCH	1	-	-----	BL,LHB3,LW2,PHM,QAB3,QHP1,QMX2,QP,QT,SHM,SMX4,SM11,SM12,SM14,ST,STM,SWG4,VSB1,VXM
	99005-01000	BAR A, HANDLE	1	(1)	-----	LVL,NJC1,QFE4,QVL
12	98079-56841	PLUG, SPARK (BP6ES)(NGK)	1	-	-----	LW2
	98079-56854	PLUG, SPARK (W20EP-U)(DENSO)	1	-	-----	LW2
13	99001-10120	SPANNER, 10X12	1	-	-----	LHB3,LVL,LW2,PHM,QAB3,QHP1,QP,QT,QVL,SHM,SWG4,VSB1,VXM
			-	(1)	-----	
14	99001-10140	SPANNER, 10X14	1	-	-----	LHB3,LW2,QAB3,QT,VSB1
15	99001-14170	SPANNER, 14X17	1	-	-----	PHM,QHP1,QP,SHM,SWG4,VXM
			-	(1)	-----	
16	99008-02000	BAG, TOOL, 200MM	1	-	-----	LVL,QFE4,QVL
	99008-02300	BAG, TOOL, 230MM	1	-	-----	BL,LHB3,LW2,PHM,QAB3,QHP1,QP,QT,SHM,SWG4,VSB1,VXM
			-	(1)	-----	

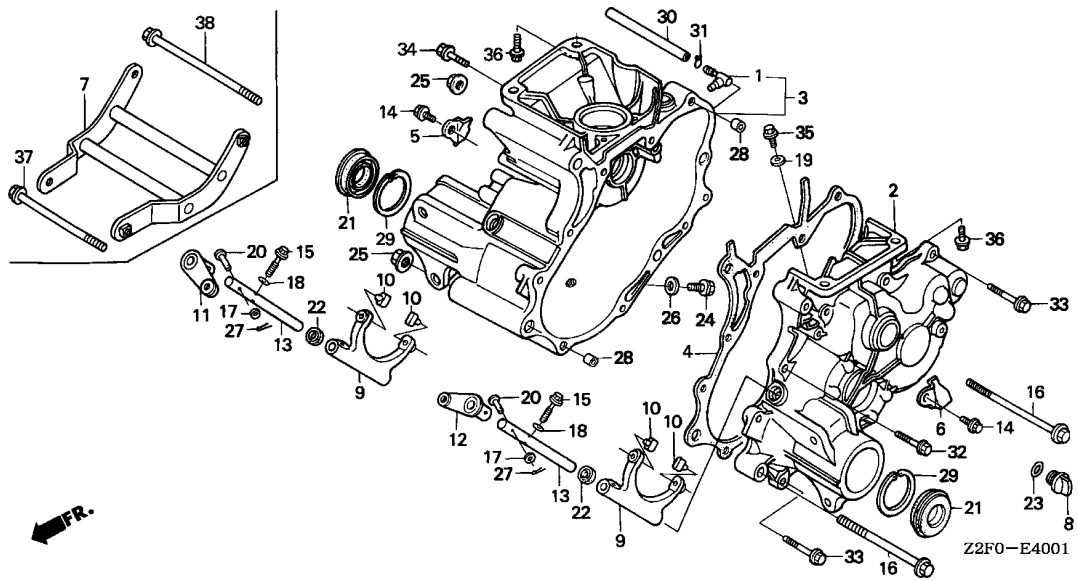




Z2F0-E4000

Service item F.R.T.
NO INFORMATION

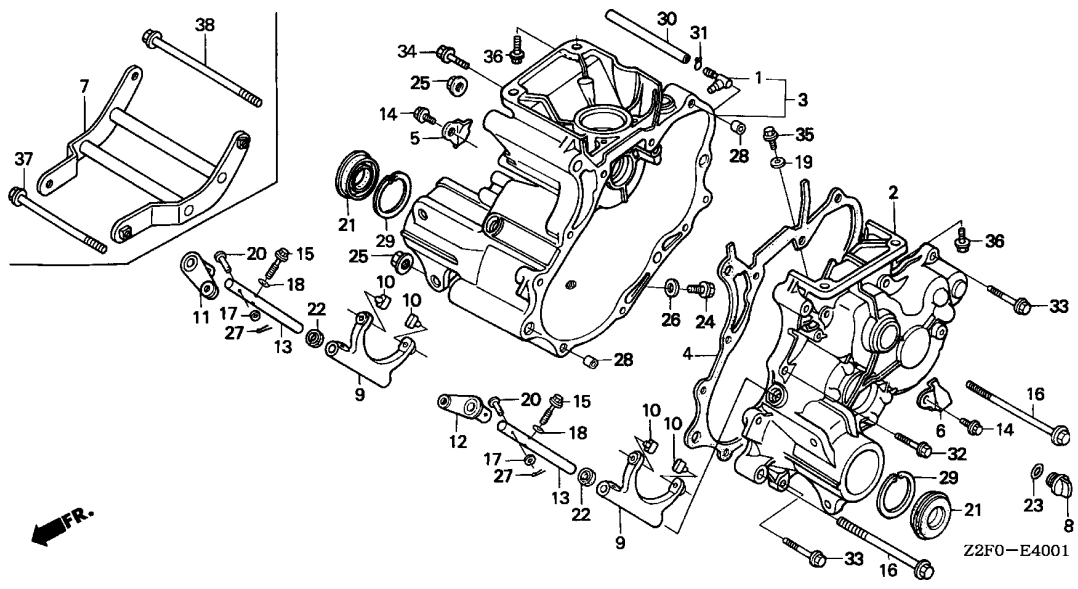
Ref. No.	Part No.	Description	Reqd. QTY		Serial No.	Parts catalogue code
			GX 160K1 (1)	GX 160K1 (2)		
1	16561-ZL0-U30	SPRING, GOVERNOR	1	-	-----	VPR7
	16561-ZL0-000	1	-	-----	VPM5, VPR4
2	18340-ZE1-010	DEFLECTOR COMP.	1	-	-----	LSJ4, QXU, SJC1, SJC5, SWX2, SWX4, SXU
3	18522-ZE1-000	GUIDE, MUFFLER	1	-	-----	LSJ4, QXU, SJC1, SJC5, SWX2, SWX4, SXU
4	35120-746-C21	SWITCH ASSY., ENGINE STOP ...	1	-	-----	QPU
5	90002-ZG0-003	SCREW, TAPPING, 4X8	2	-	-----	LSJ4, QXU, SJC1, SJC5, SWX2, SWX4, SXU
6	90105-733-D61	BOLT, 3X12(SEMS)	1	-	-----	QPU
7	95014-62100	BAND B1, WIRE	1	-	-----	QPU
8	95801-08020-18	BOLT, FLANGE, 8X20	1	-	-----	VED2, VEN2, VES
9	98079-56841	PLUG, SPARK (BP6ES) (NGK)	1	-	-----	BL, LHB3, LVL, QAB3, QVL, VSX, VSX1
	98079-56846	PLUG, SPARK (BPR6ES) (NGK)	1	-	-----	VSB1, VSG, VSX3, VS3, VS4



Service item	F.R.T.
NO INFORMATION	-

Ref. No.	Part No.	Description	Reqd. QTY		Serial No.	Parts catalogue code
			GX 160K1 (1)	GX 160K1 (2)		
1	11106-GM2-300	JOINT, BREATHER	1	-	-----	QFE4
2	21111-766-000	CASE, R. TRANSMISSION	1	-	-----	QFE4
3	21210-766-000	CASE COMP., L. TRANSMISSION ..	1	-	-----	QFE4
4	21281-740-020	PACKING, TRANSMISSION CASE ..	1	-	-----	QFE4
5	21913-740-000	PLATE, R. SIDE CLUTCH	1	-	-----	QFE4
6	21914-740-000	PLATE, L. SIDE CLUTCH	1	-	-----	QFE4
7	21931-766-000	GUARD, MISSION	1	-	-----	QFE4
8	25611-733-000	CAP, OIL	1	-	-----	QFE4
9	40111-740-000	FORK, SIDE CLUTCH	2	-	-----	QFE4
10	40112-740-003	PIN, FORK	4	-	-----	QFE4
11	40310-740-010	ARM COMP., R. SIDE CLUTCH ...	1	-	-----	QFE4
12	40320-740-010	ARM COMP., L. SIDE CLUTCH ...	1	-	-----	QFE4
13	40331-740-000	SHAFT, SIDE CLUTCH ARM	2	-	-----	QFE4
14	90013-883-000	BOLT, FLANGE, 6X12(CT200) ...	2	-	-----	QFE4
15	90028-634-000	BOLT, SPECIAL, 6X21	2	-	-----	QFE4
16	90057-671-000	BOLT, ALTERNATOR	2	-	-----	QFE4
17	90401-752-003	WASHER, 10MM	2	-	-----	QFE4
18	90411-744-000	WASHER, CONICAL SPRING, 6MM ..	2	-	-----	QFE4
19	90429-PD1-000	WASHER, SEALING, 8MM	1	-	-----	QFE4
20	90752-735-000	PIN, AUXILIARY CHANGE LEVER ..	2	-	-----	QFE4
21	91206-733-024	WATER SEAL, 25X52X9.5(NOK) ..	2	-	-----	QFE4
22	91251-740-003	OIL SEAL (12X18X4.2)	2	-	-----	QFE4
23	91303-800-000	O-RING, 16MM	1	-	-----	QFE4
24	92800-12000	BOLT, DRAIN PLUG, 12MM	1	-	-----	QFE4

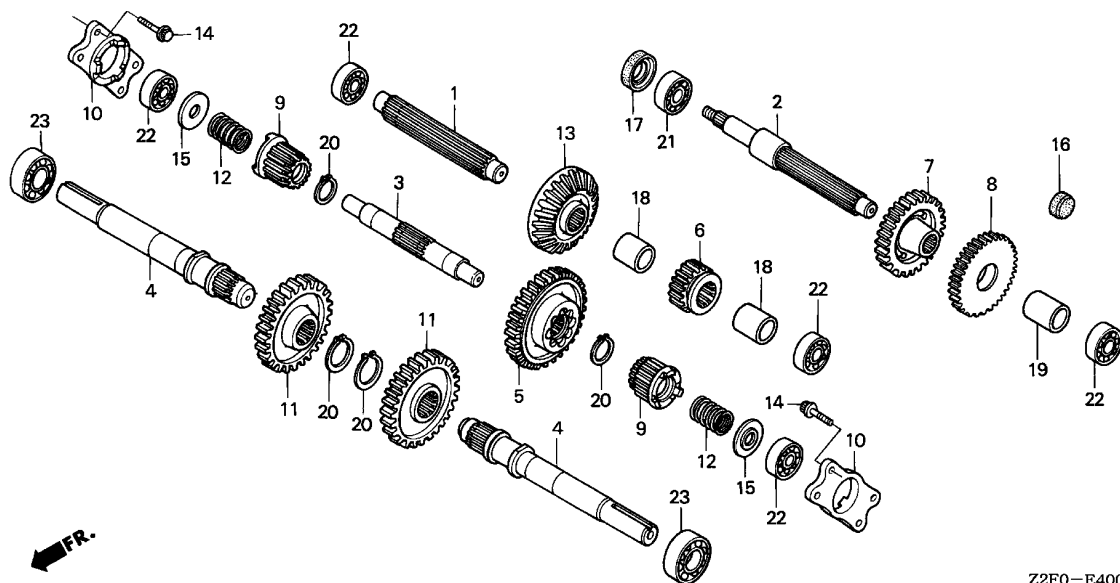




Z2F0-E4001



Ref. No.	Part No.	Description	Reqd. QTY		Serial No.	Parts catalogue code
			GX 160K1 (1)	GX 160K1 (2)		
25	94050-10000	NUT, FLANGE, 10MM	2	-	-----	QFE4
26	94109-12000	WASHER, DRAIN PLUG, 12MM	1	-	-----	QFE4
27	94201-20120	PIN, SPLIT, 2.0X12	2	-	-----	QFE4
28	94301-08140	DOWEL PIN, 8X14	2	-	-----	QFE4
29	94520-52000	CIRCLIP, INTERNAL, 52MM	2	-	-----	QFE4
30	95001-45150-40	TUBE, FUEL, 4.5X150 (95001-45001-60M)	1	-	-----	QFE4
31	95002-02080	CLIP, TUBE (B8)	1	-	-----	QFE4
32	95701-06032-00	BOLT, FLANGE, 6X32	5	-	-----	QFE4
33	95701-06040-00	BOLT, FLANGE, 6X40	4	-	-----	QFE4
34	95701-08012-00	BOLT, FLANGE, 8X12	1	-	-----	QFE4
35	95701-08016-00	BOLT, FLANGE, 8X16	1	-	-----	QFE4
36	95701-08030-00	BOLT, FLANGE, 8X30	4	-	-----	QFE4
37	95701-10125-00	BOLT, FLANGE, 10X125	1	-	-----	QFE4
38	95701-10160-00	BOLT, FLANGE, 10X160	1	-	-----	QFE4

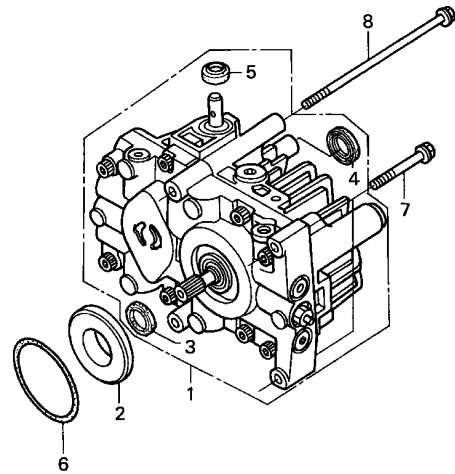


Z2F0-E4002

Service item F.R.T.
NO INFORMATION



Ref. No.	Part No.	Description	Reqd. QTY		Serial No.	Parts catalogue code
			GX 160K1 (1)	GX 160K1 (2)		
1	23112-740-000	SHAFT, INPUT	1	-	-----	QFE4
2	23221-740-000	COUNTERSHAFT	1	-	-----	QFE4
3	23231-740-000	SHAFT, SIDE CLUTCH	1	-	-----	QFE4
4	23371-740-020	SHAFT, WHEEL	2	-	-----	QFE4
5	23407-766-000	GEAR, SIDE CLUTCH DRIVE (49T)	1	-	-----	QFE4
6	23411-740-010	GEAR, INPUT SHAFT CHANGE (19T)	1	-	-----	QFE4
7	23422-740-000	GEAR, COUNTERSHAFT (36T)	1	-	-----	QFE4
8	23431-776-000	GEAR, DRIVEN (42T)	1	-	-----	QFE4
9	23511-740-000	GEAR, SIDE CLUTCH (16T)	2	-	-----	QFE4
10	23521-740-000	CASE, SIDE CLUTCH BEARING	2	-	-----	QFE4
11	23581-740-000	GEAR, FINAL (35T)	2	-	-----	QFE4
12	40181-776-000	SPRING, SIDE CLUTCH	2	-	-----	QFE4
13	41141-740-000	GEAR, DRIVEN BEVEL (25T)	1	-	-----	QFE4
14	90030-PC8-000	BOLT, SPECIAL, 8MM	8	-	-----	QFE4
15	90501-740-010	WASHER, CLUTCH SPRING	2	-	-----	QFE4
16	90871-733-003	PLUG, SEALING, 28(ARAI)	1	-	-----	QFE4
17	91202-740-003	OIL SEAL, 20X31X7(ARAI)	1	-	-----	QFE4
18	91551-776-000	COLLAR, (22.3X28.5X37.25)	2	-	-----	QFE4
19	91552-776-000	COLLAR, (22.3X28.5X43)	1	-	-----	QFE4
20	94510-25000	CIRCLIP, EXTERNAL, 25MM	4	-	-----	QFE4
21	96100-60040-00	BEARING, RADIAL BALL, 6004	1	-	-----	QFE4
22	96100-62030-00	BEARING, RADIAL BALL, 6203	5	-	-----	QFE4
23	96100-62050-00	BEARING, RADIAL BALL, 6205	2	-	-----	QFE4

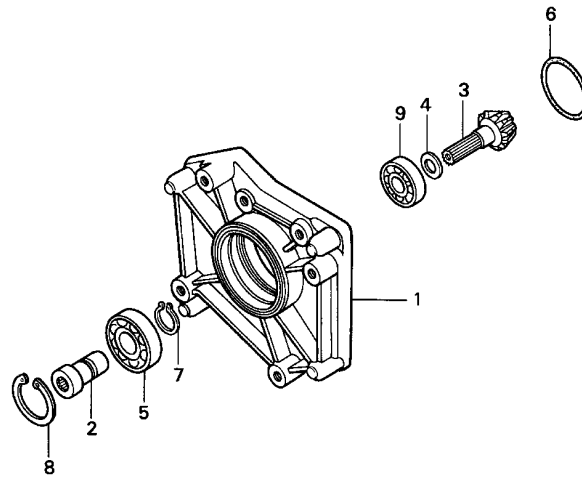


FR.

Z2F0-E4003

Service item F.R.T.
NO INFORMATION

Ref. No.	Part No.	Description	Reqd. QTY		Serial No.	Parts catalogue code
			GX 160K1 (1)	GX 160K1 (2)		
1	20005-766-003	H.S.T. ASSY.	1	-	-----	QFE4
2	21178-766-000	BOSS, GUIDE	1	-	-----	QFE4
3	91201-766-003	OIL SEAL, 15X24X7	1	-	-----	QFE4
4	91202-766-003	OIL SEAL, 15X35X7	1	-	-----	QFE4
5	91203-766-003	OIL SEAL, 12X25X7	1	-	-----	QFE4
6	91307-639-000	O-RING, 64X2	1	-	-----	QFE4
7	95701-08045-00	BOLT, FLANGE, 8X45	2	-	-----	QFE4
8	95701-08115-00	BOLT, FLANGE, 8X115	2	-	-----	QFE4

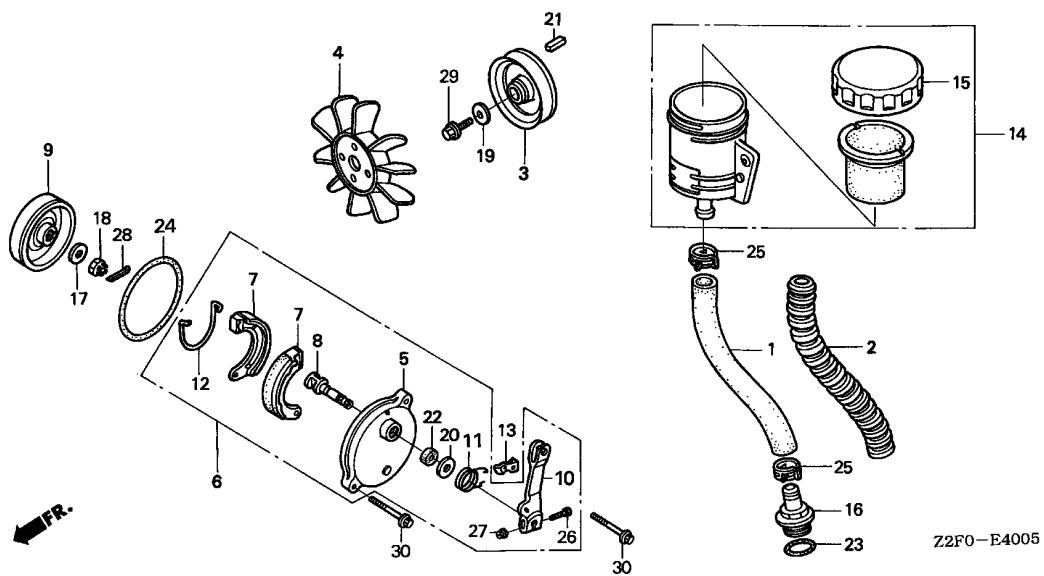


Z2F0-E4004

Service item F.R.T.
NO INFORMATION

Ref. No.	Part No.	Description	Reqd. QTY		Serial No.	Parts catalogue code
			GX 160K1 (1)	GX 160K1 (2)		
1	21171-766-000	COVER, BEVEL	1	-	-----	QFE4
2	23218-766-000	SHAFT, JOINT	1	-	-----	QFE4
3	41131-766-000	PINION, BEVEL	1	-	-----	QFE4
4	90540-740-000	WASHER, BEVEL GEAR	1	-	-----	QFE4
5	91001-878-003	BEARING, RADIAL BALL, 62/22 ..	1	-	-----	QFE4
6	91301-766-003	O-RING, 42.5X3	1	-	-----	QFE4
7	94510-22000	CIRCLIP, EXTERNAL, 22MM	1	-	-----	QFE4
8	94520-50000	CIRCLIP, INTERNAL, 50MM	1	-	-----	QFE4
9	96100-62030-00	BEARING, RADIAL BALL, 6203 ..	1	-	-----	QFE4

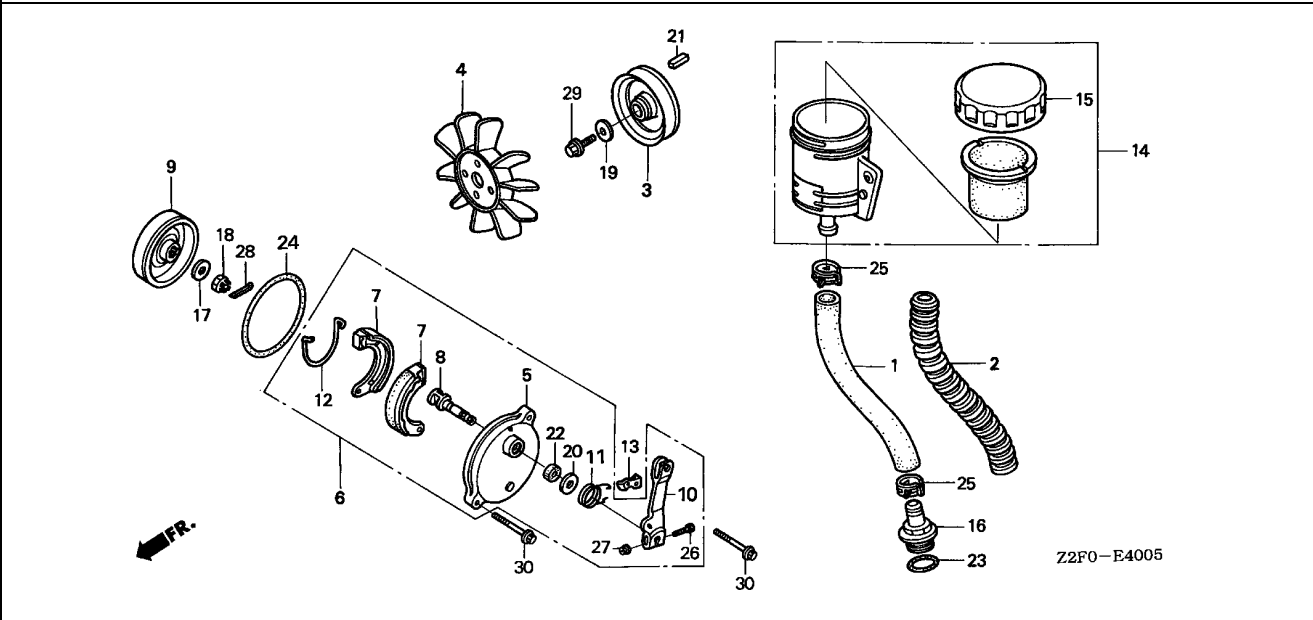




Z2F0-E4005

Service item F.R.T.
NO INFORMATION

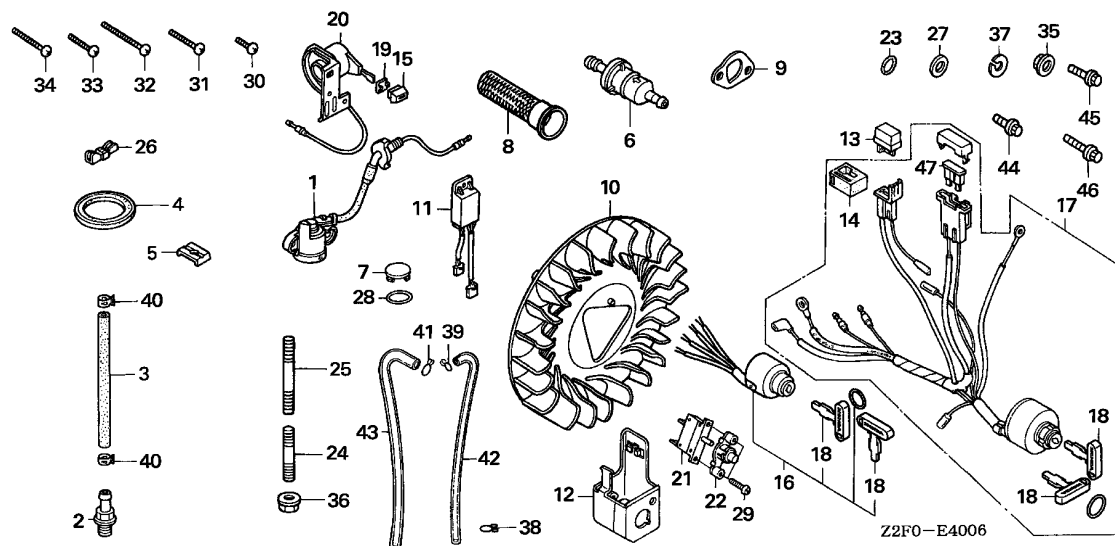
Ref. No.	Part No.	Description	Reqd. QTY		Serial No.	Parts catalogue code
			GX 160K1 (1)	GX 160K1 (2)		
1	15422-776-000	TUBE, OIL	1	-	-----	QFE4
2	15428-767-000	PROTECTOR, OIL TUBE	1	-	-----	QFE4
3	22411-734-700	PULLEY, DRIVE (80MM)	1	-	-----	QFE4
4	40491-776-003	FAN, TRANSMISSION COOLING	1	-	-----	QFE4
5	43100-740-000	PANEL COMP., BRAKE	1	-	-----	QFE4
6	43100-776-000	PANEL ASSY., BRAKE	1	-	-----	QFE4
7	43125-GZ9-003	SHOE COMP., BRAKE (ASK)	2	-	-----	QFE4
8	43141-740-000	CAM, BRAKE	1	-	-----	QFE4
9	43210-751-003	DRUM COMP., BRAKE	1	-	-----	QFE4
10	43410-740-000	ARM, BRAKE	1	-	-----	QFE4
11	43417-776-000	SPRING, BRAKE ARM	1	-	-----	QFE4
12	45133-044-000	SPRING, BRAKE SHOE	1	-	-----	QFE4
13	45135-740-000	PLATE, BRAKE ARM SPRING	1	-	-----	QFE4
14	56850-767-000	TANK ASSY., OIL	1	-	-----	QFE4
15	56862-767-300	BODY, OIL CAP	1	-	-----	QFE4
16	56955-766-000	CONNECTOR, SUCTION PORT	1	-	-----	QFE4
17	90017-PE0-000	WASHER, 10MM	1	-	-----	QFE4
18	90301-740-003	NUT, CASTLE, 10MM	1	-	-----	QFE4
19	90473-842-000	WASHER, 8MM	1	-	-----	QFE4
20	90529-126-770	WASHER, 10.5MM	1	-	-----	QFE4
21	90741-732-000	KEY, 5X5X21	1	-	-----	QFE4
22	91262-740-003	SEAL, BRAKE CAM	1	-	-----	QFE4
23	91305-KE1-000	O-RING, 19.4X2.3	1	-	-----	QFE4
24	91352-740-003	O-RING, 100X2	1	-	-----	QFE4



Z2F0-E4005

Ref. No.	Part No.	Description	Reqd. QTY		Serial No.	Parts catalogue code
			GX 160K1 (1)	GX 160K1 (2)		
25	91462-SA5-950	CLAMP D, 19MM	2	-	-----	QFE4
26	92101-05028-0A	BOLT, HEX., 5X28	1	-	-----	QFE4
27	94050-05000	NUT, FLANGE, 5MM	1	-	-----	QFE4
28	94201-20200	PIN, SPLIT, 2.0X20	1	-	-----	QFE4
29	95701-08020-00	BOLT, FLANGE, 8X20	1	-	-----	QFE4
30	95801-06028-00	BOLT, FLANGE, 6X28	2	-	-----	QFE4





Service item F.R.T.
NO INFORMATION

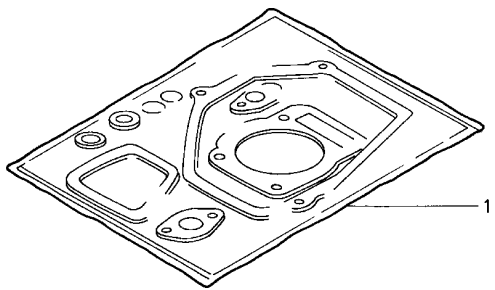
Ref. No.	Part No.	Description	Reqd. QTY		Serial No.	Parts catalogue code
			GX 160K1 (1)	GX 160K1 (2)		
1	15510-ZE2-043	SWITCH ASSY., OIL LEVEL	1	-	-----	SMJ
2	15550-ZK8-P90	JOINT, DRAIN	2	-	-----	SM11,SM12,SM14
3	15552-ZB9-000	TUBE, DRAIN	1	-	-----	SM11,SM12,SM14
4	16271-ZE1-000	PACKING, ELBOW	1	-	-----	SKM,VGE4
5	16576-891-000	HOLDER, CABLE	1	-	-----	SHRY
			2	-	-----	RSS1
6	16910-ZE8-015	STRAINER COMP., FUEL	1	-	-----	VTH4
7	17507-ZA0-800	CAP, FUEL METER	1	-	-----	NJC1
8	18355-ZE1-000	ARRESTER, SPARK	1	-	-----	VPM5,VTH4
9	18381-ZH8-800	GASKET, MUFFLER	2	-	-----	SKM
10	19511-ZE3-000	FAN, COOLING	1	-	-----	SJC1,SJC5
11	31600-KE1-010	RECTIFIER COMP., REGULATOR ..	1	-	-----	SKM
12	31614-ZE2-003	BRACKET, CASE MOUNTING	1	-	-----	SNX1
13	31700-124-008	RECTIFIER ASSY., SILICON (SHINDENGEN)	1	-	-----	SNX1
14	32127-738-700	SUSPENSION, COUPLER	1	-	-----	SNX1
15	32343-892-003	KNOB, COCK LEVER	1	-	-----	VED3
16	35100-ZE1-013	SWITCH ASSY., COMBINATION ...	-	(1)	-----	
17	35100-ZE1-812	SWITCH ASSY., COMBINATION ...	1	-	-----	SNX1
18	35111-880-013	KEY COMP.	2	-	-----	SNX1
			-	(2)	-----	
19	36106-892-003	BUSH, CONTROL KNOB	1	-	-----	VED3
20	36110-ZB2-003	SWITCH ASSY., ENGINE	1	-	-----	VED3
21	38240-VA3-900	PROTECTOR, CIRCUIT (1.0A) ...	1	-	-----	SNX1

Ref. No.	Part No.	Description	Reqd. QTY		Serial No.	Parts catalogue code
			GX 160K1 (1)	GX 160K1 (2)		
22	38250-ZA8-701	LENS ASSY., PROTECTOR	1	-	-----	SNX1
23	78118-YB0-003	RING, SEAL (B)	2	-	-----	WJP,WME4
24	90001-ZK7-V00	BOLT, STUD, 10X32	3	-	-----	AR,ARC6,KR
25	90002-ZK7-V00	BOLT, STUD, 10X60	1	-	-----	AR,ARC6,KR
26	90203-ZA0-800	NUT, WING, 6MM(BLACK)	1	-	-----	SKM
27	90601-ZE1-000	WASHER, DRAIN PLUG, 10.2MM ..	3	-	-----	SM11,SM12,SM14
28	91356-706-000	O-RING, 56X2.4	1	-	-----	NJC1
29	93500-03012-OH	SCREW, PAN, 3X12	2	-	-----	SNX1
30	93500-04008-OH	SCREW, PAN, 4X8	3	-	-----	SKM
31	93500-04024-OH	SCREW, PAN, 4X24	1	-	-----	SKM
32	93500-04043-OH	SCREW, PAN, 4X43	5	-	-----	SKM
33	93500-05016-OA	SCREW, PAN, 5X16	1	-	-----	RSS1,SHRY
34	93500-05032-OA	SCREW, PAN, 5X32	1	-	-----	NJC1
35	94050-06000	NUT, FLANGE, 6MM	3	-	-----	RHA2,VED2,VED3,VEN2,VES,VMT,VSB1,VSG,VS3,VS4
36	94050-10000	NUT, FLANGE, 10MM	4	-	-----	AR,ARC6,KR
37	94111-04800	WASHER, SPRING, 4MM	10	-	-----	SKM
38	95002-02080	CLIP, TUBE (B8)	4	-	-----	NJC1
39	95002-35000	CLIP, TUBE (C6.5)	1	-	-----	NJC1
40	95002-41200-08	CLAMP, TUBE (D12)	2	-	-----	SM11,SM12,SM14
41	95002-45000	CLIP, TUBE (C8)	1	-	-----	NJC1
42	95003-05021-31	TUBE, VINYL, 3.5X6.5X210 (95003-05001-60M)	1	-	-----	NJC1
43	95003-09025-31	TUBE, VINYL, 4.5X8X250 (95003-09001-60M)	1	-	-----	NJC1
44	95701-06010-00	BOLT, FLANGE, 6X10	1	-	-----	EMA2,VED2,VED3,VES,VMT,VSB1,VSG,VS3,VS4
			5	-	-----	VEN2
45	95701-06012-00	BOLT, FLANGE, 6X12	5	-	-----	VED2,VED3,VES,VMT,VSG
46	95701-06022-00	BOLT, FLANGE, 6X22	2	-	-----	VSG
47	98200-30500	FUSE, BLADE (5A)	1	-	-----	SNX1

EOP-1

GASKET KIT

N 3



HENG-X0003

Service item	F.R.T.
NO INFORMATION	-

2

Ref. No.	Part No.	Description	Reqd. QTY		Serial No.	Parts catalogue code
			GX 160K1 (1)	GX 160K1 (2)		
1	06111-ZK8-V00	GASKET KIT	(1)	-	-----	AR,ARC6,KR

PART NO. INDEX

2-B 1

Part Number	Address	Page	Ref.	Part Number	Address	Page	Ref.	Part Number	Address	Page	Ref.	Part Number	Address	Page	Ref.				
06000				13200-ZE1-010	F5	56	4	15552-ZB9-000	N1	180	3	16028-ZE0-005	G11	78	9				
06111-ZK8-V00	N3	182	1	13310-YB4-010	E16	51	1	15600-ZE1-003	E10	45	5	G14	81	9	16220-ZE1-020	H15	98	13	
06164-ZE1-000	G11	78	1	13310-Z8K-000	E16	51	3					H3	86	11	G12	79	16		
	G14	81	1	13310-Z8K-600	E16	51	4		E14	49	4	H13	96	8	G15	82	16		
	H1	84	1	13310-Z8K-670	E16	51	11		E15	50	3	H15	98	7	H6	89	19		
				13310-ZB2-000	E16	51	2	15600-ZF0-003	E10	45	5	G11	78	10	H14	97	15		
11000				13310-ZE1-000	E16	51	3	15600-ZG4-003	E10	45	7	H4	87	12	G12	79	17		
				13310-ZE1-601	E16	51	4					H13	96	9	G15	82	17		
11106-GM2-300	M10	173	1	13310-ZE1-610	E16	51	5	15600-ZH7-000	L13	160	1	H15	98	8	H6	89	20		
11300-ZE1-020	E9	44	1	13310-ZE1-622	E16	51	6	15625-ZE1-003	E11	46	9	H13	96	9	H14	97	16		
11300-ZE1-613	E9	44	2	13310-ZE1-630	E16	51	7		E14	49	5	K2	133	1	H15	98	14		
11300-ZE1-634	E9	44	1	13310-ZE1-641	E16	51	8		E15	50	4	16080-191-005	J15	130	1	H15	98	15	
11300-ZE1-642	E9	44	1	13310-ZE1-650	E16	51	9	15640-730-010	E11	46	10	16080-898-631	J15	130	2	16260-ZB6-000	H15	98	15
11300-ZH8-F01	E15	50	1	13310-ZE1-660	E16	51	10	15650-730-000	E11	46	11	16081-471-831	J15	130	2	16263-ZA0-000	L5	152	1
11300-ZK8-V00	E14	49	1	13310-ZE1-670	E16	51	11	15721-883-030	E2	37	8	16100-ZH8-801	G14	81	10	16269-ZE1-800	H14	97	17
11300-ZL0-691	E9	44	3	13310-ZH8-690	F2	53	1	15721-ZE1-840	E1	36	8	16100-ZH8-802	G14	81	10		H15	98	16
11381-ZH8-801	E10	45	4	13310-ZH8-R00	E16	51	12	15721-ZH8-000	E2	37	8	16100-ZH8-812	G12	79	11	16271-ZE1-000	H16	99	1
	E15	50	2	13310-ZK8-V00	E16	51	13	15721-ZH8-d60	E1	36	8	16100-ZH8-822	H4	87	13	I7	106	1	
11381-ZK8-V00	E14	49	2	13331-357-000	K3	134	1					16100-ZH8-d62	H15	98	9	I8	107	1	
11381-ZL0-000	E10	45	4					16000				16100-ZH8-E81	H13	96	10	N1	180	4	
11500-ZE1-611	L11	158	1	14000				16010-ZB1-015	H13	96	1	16100-ZH8-V01	H4	87	13	L5	152	2	
11500-ZK7-V00	L16	163	1	14100-Z8K-870	F6	57	2	16010-ZB9-005	H15	98	1	16100-ZH8-V11	H4	87	13	K11	142	2	
11521-ZH8-800	L11	158	2	14100-ZE1-812	F6	57	2	16010-ZE0-025	G11	78	2	16100-ZH8-V21	H4	87	13	K11	142	2	
11521-ZK7-V00	L16	163	2	14100-ZF1-010	F6	57	2	16010-ZE1-812	G14	81	2	16100-ZH8-W41	G12	79	11	K12	143	3	
				14100-ZH8-690	F6	57	3		H1	84	2	16100-ZH8-W51	H4	87	13	K11	142	1	
				14100-ZH8-800	F6	57	2	16010-ZH7-A20	H1	84	2	16100-ZH8-W61	H4	87	13	K11	142	1	
12000				14100-ZH8-810	F6	57	2	16011-ZE0-005	G11	78	3	16100-ZH8-W71	G12	79	11	K11	142	2	
12000-ZH8-425	E5	40	1	14100-ZH8-C30	F6	57	2		G14	81	3	16100-ZK8-T51	H13	96	10	K12	143	3	
12000-ZH8-426	E5	40	1	14100-ZL0-000	F6	57	2		H2	85	3	16100-ZK8-W81	H4	87	13	K11	142	1	
12204-ZE1-306	E1	36	1	14100-ZL0-870	F6	57	2		H13	96	2	16124-ZE0-005	G12	79	12	K11	142	2	
12205-ZE1-315	E1	36	2	14410-ZE1-010	F6	57	4		H15	98	2		H4	87	14	K11	142	2	
12209-ZH8-003	F6	57	1	14411-ZE1-611	L11	158	3	16013-ZE0-005	G11	78	4		H13	96	11	K11	142	1	
12210-ZH8-020	E1	36	3	14411-ZF1-611	L11	158	3		G14	81	4	16166-ZF1-005	H4	87	15	K11	142	2	
12216-ZE5-300	E1	36	4	14411-ZH7-V91	F6	57	5		H2	85	4	16166-ZH8-800	G14	81	12	E6	41	3	
12251-ZF1-800	E1	36	5	14411-ZK7-V01	L16	163	3		H13	96	3	16166-ZH8-810	H5	88	15	E6	41	3	
12310-ZE1-020	E1	36	6	14431-ZE1-000	F6	57	6	16015-ZB9-005	H15	98	4	16166-ZH8-D60	H15	98	11	E6	41	4	
12310-ZE1-842	E1	36	6	14441-ZE1-010	F7	58	7	16015-ZE0-831	H15	98	4	16166-ZH8-E80	H13	96	12	E6	41	5	
12391-ZE1-000	E1	36	7	14451-ZE1-013	F7	58	8		G11	78	5	16166-ZH8-W00	H4	87	15	E7	42	6	
				14568-ZE1-000	F7	58	9		G14	81	5	16166-ZH8-W50	G12	79	13	E7	42	7	
				14711-ZF1-000	F7	58	10		H2	85	5		H4	87	15	E7	42	8	
				14721-ZF1-000	F7	58	11		H13	96	4	16166-ZH8-W60	G12	79	13	E7	42	8	
13010-ZL0-003	F3	54	1	14721-ZH8-810	F7	58	11	16015-ZE1-811	H13	96	5		H5	88	15	K12	143	4	
13010-ZL0-004	F3	54	1	14721-ZK8-W80	F7	58	11	16015-ZH7-A21	H2	85	6	16166-ZK8-V01	H13	96	12	K12	143	5	
13011-ZL0-003	F3	54	1	14751-ZF1-000	F8	59	12	16016-ZE0-005	G11	78	6	16173-001-004	G14	81	13	L5	152	3	
13011-ZL0-004	F3	54	1	14751-ZH8-940	F8	59	12		G14	81	6		H5	88	16	L5	152	3	
13012-ZL0-003	F3	54	1	14771-ZE1-000	F8	59	13		H2	85	7		J14	129	1	K12	143	6	
13012-ZL0-004	F3	54	1	14773-ZE1-000	F8	59	14		H15	98	5		K2	133	2	L5	152	4	
13013-ZL0-003	F3	54	1	14781-ZE1-000	F8	59	15	16016-ZH7-W01	G11	78	7	16198-ZG0-U00	J8	123	1	K13	144	7	
13013-ZL0-004	F3	54	1	14791-ZE1-010	F8	59	16		G14	81	7	16199-KCR-000	J8	123	2	L5	152	5	
13101-ZF1-020	F3	54	2						H2	85	8	16211-ZE1-000	G12	79	14	K13	144	7	
13101-ZH8-010	F4	55	2	15000					H13	96	6		G14	81	14	K13	144	7	
13102-ZF1-020	F4	55	2					16016-ZH8-W01	H2	85	8		H6	89	17	K13	144	7	
13102-ZH8-010	F4	55	2	15422-776-000	M15	178	1	16024-ZB9-005	H15	98	6		H14	97	13	M9	172	1	
13103-ZF1-020	F4	55	2	15428-767-000	M15	178	2	16024-ZE1-811	G11	78	8		H15	98	12	K13	144	7	
13103-ZH8-010	F4	55	2	15500-ZK8-V00	E14	49	3		G14	81	8	16212-ZH8-800	G12	79	15	M9	172	1	
13104-ZF1-020	F4	55	2	15510-ZE1-033	E6	41	2		H3	86	9		G15	82	15	K14	145	8	
13104-ZH8-010	F5	56	2	15510-ZE2-043	N1	180	1		H13	96	7		H6	89	18	L5	152	6	
13111-ZE1-000	F5	56	3	15550-ZK8-P90	N1	180	2	16024-ZH7-A20	H3	86	10		H14	97	14	K14	145	9	

3

PART NO. INDEX

Part Number	Address	Page	Ref.	Part Number	Address	Page	Ref.	Part Number	Address	Page	Ref.	Part Number	Address	Page	Ref.	Part Number	Address	Page	Ref.
16570-ZE1-714	K11	142	2					17220-ZB6-601	I12	111	3	17510-ZE1-020ZJ	J10	125	17				
16570-ZE1-H33	K11	142	1	16854-ZH8-810	J8	123	9	17230-ZB6-000	I12	111	4	17510-ZE1-020ZK	J10	125	17	18355-898-630	J3	118	7
16570-ZK8-U30	K14	145	9	16857-ZB6-000	K2	133	4	17230-ZE1-820	I1	100	4	17510-ZE1-020ZL	J10	125	17	18355-ZE1-000	I14	113	7
16571-892-000	L5	152	7	16910-GB2-005	J9	124	10	17230-ZE1-841	I8	107	5	17510-ZE1-020ZN	J10	125	17		N1	180	8
16571-ZE1-H32	K14	145	10					17230-ZK7-V01	I11	110	6	17520-ZA0-800	K2	133	14	18355-ZE1-810	I14	113	7
16571-ZH8-020	K14	145	10	16910-ZE8-015	N1	180	6	17231-ZB2-000	I10	109	4	17620-899-013	J14	129	9	18361-ZL0-000	I14	113	8
16571-ZH8-842	K14	145	10	16910-ZG0-U02	J9	124	11	17231-ZE1-000	I5	104	3		K2	133	15	18381-ZE1-800	J3	118	8
16571-ZH8-S02	K14	145	10	16915-GB2-000	J9	124	12	17232-890-010	I12	111	5	17620-Z0T-305	J10	125	18		J7	122	3
16574-ZE1-000	K14	145	11					17232-891-000	I2	101	5		J15	130	7	18381-ZH8-800	I15	114	9
16575-ZH8-000	K15	146	12	16950-898-633	J15	130	3		I8	107	6		K1	132	4		J3	118	8
16576-891-000	K15	146	13	16950-ZA0-013	K2	133	7	17233-896-701	I13	112	1	17624-187-020	K2	133	16				9
	L5	152	8	16950-ZB4-015	J14	129	2	17235-ZE1-831	I2	101	6	17631-899-000	J14	129	10		J4	119	3
	N1	180	5	16952-952-003	J9	124	10	17238-ZE7-010	I2	101	7		K2	133	17		J5	120	2
16578-ZE1-000	K16	147	14	16952-GG2-731	J15	130	4		I5	104	4	17631-Z0T-812	J10	125	19		J6	121	4
16580-ZH8-030	K16	147	15	16952-ZB4-005	J14	129	3		I7	106	2		J15	130	8		J7	122	4
16580-ZH8-813	K16	147	15	16952-ZB6-000	K2	133	8		I8	107	7		K1	132	5		N1	180	9
16580-ZH8-853	K16	147	15	16953-ZE1-812	G12	79	24		I11	110	7	17670-899-000	J14	129	11	18431-ZH8-W50	I15	114	10
16582-883-300	G12	79	18					17239-733-000	I8	107	8	17670-ZB6-000	K2	133	18	18433-ZH8-W40	I15	114	11
	G15	82	18					17239-ZB2-000	I10	109	5	17670-ZH7-A21	J15	130	9	18434-ZH8-W40	I15	114	12
	H6	89	21	16954-ZE1-812	G12	79	25	17239-ZE1-000	I2	101	8	17670-ZH7-A81	K1	132	6	18436-ZH8-W40	I16	115	13
16584-883-300	G5	72	1						I5	104	5	17670-ZH8-D01	J10	125	20	18466-ZH8-W40	I16	115	14
	K16	147	16						I7	106	3	17672-880-000	J11	126	21	18522-ZE1-000	I16	115	15
	L5	152	9	16955-ZE1-000	J9	124	13		I11	110	8	17672-ZE2-W01	J10	125	20		M9	172	3
16592-732-700	L5	152	11					17251-ZE0-S10	I11	110	9		J15	130	9				
16592-ZE1-810	L1	148	17	16956-ZA0-010	K2	133	9	17252-ZB2-000	I10	109	6	17673-893-000	J11	126	22				
	L5	152	10	16956-ZE1-811	G12	79	26	17255-758-000	I11	110	10					19000			
16594-883-010	L1	148	18					17401-ZE1-810	I7	106	4					19511-ZE1-000	K3	134	2
			19					17402-ZE1-810	I7	106	5					19511-ZE3-000	N1	180	10
16598-ZE1-000	G12	79	19	16957-ZE1-812	G12	79	27	17403-ZE1-810	I7	106	6	18310-734-750	J6	121	1	19610-ZB2-601ZE	G5	72	2
	G15	82	19					17404-841-000	I7	106	7	18310-Z8K-870	I14	113	2	19610-ZB6-000	G5	72	2
	H6	89	22					17410-ZE1-020	I2	101	9	18310-ZB2-000	J3	118	1	19610-ZE1-000ZC	G5	72	2
16599-ZG1-M10	L1	148	20	16958-397-771	J14	129	4		I5	104	6	18310-ZB3-C00	J3	118	1	19610-ZE1-000ZD	G5	72	2
16610-ZB2-000	H14	97	18	16959-471-831	J14	129	5	17410-ZE1-840	I8	107	9	18310-ZB6-C01	J7	122	1	19610-ZE1-000ZG	G5	72	2
16610-ZE1-000	G12	79	20	16963-191-005	K2	133	10	17410-ZE1-P30	I11	110	11	18310-ZE1-821	I13	112	2	19610-ZE1-000ZK	G5	72	2
	G15	82	20	16967-GA6-671	J14	129	6	17410-ZE1-000	I6	105	7	18310-ZE1-900	I13	112	2	19610-ZE1-000ZL	G5	72	2
	H7	90	23	16967-MA2-771	K2	133	11		I6	105	7	18310-ZF1-000	I13	112	2	19610-ZE1-000ZM	G5	72	2
	H14	97	19	16967-ZE0-811	G15	82	28	17421-ZE1-000	I7	106	9	18310-ZH7-V90	I13	112	2	19610-ZE1-000ZN	G5	72	2
16610-ZE1-810	G12	79	21					17470-ZE1-842	I8	107	10	18310-ZH8-810	I14	113	2	19610-ZE1-000ZP	G5	72	2
	G15	82	21					17475-ZE1-841	I8	107	11	18310-ZH8-T30	I13	112	2	19610-ZE1-810ZG	G6	73	3
	H7	90	24	17000				17476-ZE1-841	I8	107	12	18310-ZK7-V01	J4	119	1	19610-ZE1-820ZG	G6	73	4
16615-ZE1-010	G12	79	22					17478-ZE1-841	I8	107	13	18310-ZK8-V50	I14	113	2	19610-ZE1-830ZA	G6	73	5
	G15	82	22	17200-ZK7-V01	I11	110	1	17500-ZE1-813ZA	J9	124	15	18310-ZL0-W80	J5	120	1	19610-ZE1-830ZG	G6	73	5
	H7	90	25	17205-PC6-000	J9	124	14	17500-ZE1-813ZC	J9	124	15	18312-734-000	J6	121	2	19610-ZK8-V00ZD	G5	72	2
16617-890-010	G12	79	23	17210-883-903	I12	111	1	17505-898-023	K2	133	12	18315-734-000	J6	121	3	19611-ZH8-810	G6	73	6
	G15	82	23	17210-ZE1-822	H16	99	2	17505-ZB2-003	J14	129	7	18315-ZE1-000	I14	113	3	19611-ZH8-820	G6	73	6
	H7	90	26						J15	130	5	18320-ZB2-000	J3	118	2	19612-ZH8-000	G6	73	6
	H15	98	17	17210-ZK7-V01	I11	110	2	17505-ZE1-013	J9	124	16	18320-ZF1-H01	I14	113	4	19612-ZH8-812	G6	73	6
16674-ZF1-H50	L5	152	12	17211-ZB2-000	I10	109	1	17507-ZA0-800	N1	180	7	18320-ZF1-H51	I14	113	4	19612-ZH8-821	G6	73	6
16700-ZA0-971	J8	123	3	17211-ZE1-000	I5	104	1	17510-734-701ZA	K1	132	3	18325-ZB2-000	J3	118	3	19612-ZH8-840	G6	73	7
16711-679-000	J8	123	4	17212-ZB2-000	I10	109	2	17510-ZB2-000ZA	J15	130	6	18325-ZE1-010	I14	113	5	19612-ZK8-V00	G6	73	6
16712-657-300	J8	123	5	17212-ZE1-000	I5	104	2	17510-ZB2-000ZG	J15	130	6	18325-ZH8-T90	J3	118	3	19613-ZE1-020	G6	73	8
16727-705-000	L1	148	21	17216-PM4-300	I11	110	3	17510-ZB2-000ZH	J15	130	6	18329-ZB2-000	J3	118	4	19630-ZB2-000	G6	73	9
16729-705-010	L1	148	22	17217-PM4-300	I11	110	4	17510-ZB2-000ZL	J15	130	6	18330-ZB2-000	J3	118	5	19630-ZH8-000	G7	74	9
16851-ZE1-000	J8	123	6	17218-883-901	I12	111	2	17510-ZB2-000ZM	J15	130	6	18330-ZB6-000	J7	122	2	19640-ZB2-010	G7	74	10
16852-ZB6-000	K2	133	3	17218-ZE1-821	I1	100	3	17510-ZB4-000ZH	J14	129	8	18330-ZH8-T90	J3	118	5	19640-ZH8-R60	G7	74	10
16852-ZE1-000	H8	123	7					17510-ZB6-010	K2	133	13	18331-883-810	I14	113	6	19640-ZH8-V11	G7	74	11
16854-ZG0-960	H7	90	27	17218-ZK7-V01	I11	110	5	17510-ZE1-020ZA	J10	125	17	18338-ZB3-E30	J3	118	6				
16854-ZH8-000	H14	97	20	17219-733-010	I8	107	4	17510-ZE1-020ZF	J10	125	17	18338-ZK8-V01	J4	119	2				
	J8	123	8	17220-ZB2-000	I10	109	3	17510-ZE1-020ZG	J10	125	17	18340-ZE1-010	I14	113	6				

PART NO. INDEX

2-B 4

Part Number	Address	Page	Ref.	Part Number	Address	Page	Ref.	Part Number	Address	Page	Ref.	Part Number	Address	Page	Ref.
38250-ZA8-701	L10	157	14	81000				87535-ZE1-841	M5	168	19	90016-ZG9-N30	L2	149	25
	N2	181	22					87535-ZH8-V00	M5	168	20	90017-883-000	K8	139	21
38400-ZE8-003	G8	75	19	81329-567-020	G8	75	21	87539-898-620	M6	169	14	90017-PE0-000	M15	178	17
38402-GC1-000	G8	75	20					87539-ZB2-630	M6	169	13	90018-ZE1-000	K6	137	13
				83000				87565-ZB4-A00	M6	169	15	90019-883-000	K6	137	14
40000								87565-ZE2-000	M5	168	21	90022-888-010	G9	76	23
40111-740-000	M10	173	9	83501-ZF1-000	M7	170	1	87565-ZE2-810	M5	168	21	90028-634-000	M10	173	15
40112-740-003	M10	173	10					87593-737-A00	M6	169	16	90029-888-000	E14	49	7
40181-776-000	M12	175	12	87000				87594-ZB4-A00	M5	168	22	90030-PC8-000	M12	175	14
40310-740-010	M10	173	11	87101-733-000	M2	165	1	87637-ZM3-800	M5	168	23	90043-ZB2-003	E2	37	10
40320-740-010	M10	173	12	87135-ZE2-020	M2	165	2	89000				90043-ZE1-020	E2	37	10
40331-740-000	M10	173	13				3					90047-ZE1-000	E2	37	11
40491-776-003	M15	178	4	87502-ZB2-G01	M2	165	4	89000-ZB6-000	M7	170	2	90050-ZE1-000	I16	115	19
				87520-ZH8-000	M2	165	1	89000-ZE1-000	M7	170	3	90050-ZE3-H00	I16	115	19
41000								89000-ZH7-T00	M7	170	4	90050-ZH8-W40	I16	115	21
41131-766-000	M14	177	3	87521-733-T03	M3	166	5	89001-ZF1-000	M7	170	5	90055-ZE1-000	I16	115	16
41141-740-000	M12	175	13	87521-Z8K-801	M3	166	5	89102-538-000	M7	170	6				
				87521-ZH8-030	M3	166	5	89103-538-000	M7	170	7	J1	116	23	22
43000								89210-ZF1-000	M7	170	8				
43100-740-000	M15	178	5	87521-ZK8-W81	M3	166	5	89216-357-000	M7	170	10	90056-ZL0-000	J1	116	22
43100-776-000	M15	178	6	87522-883-660	M6	169	6	89216-809-000	M7	170	10	90057-671-000	M10	173	16
43125-GZ9-003	M15	178	7	87522-ZE1-810	M3	166	6	89216-ZF1-000	M7	170	9	90071-MB0-000	K8	139	22
43141-740-000	M15	178	8	87522-ZH8-W41	M3	166	7	89218-ZE1-000	M7	170	10	90101-GBL-000	M1	164	8
43210-751-003	M15	178	9					89219-805-000	M8	171	11	90105-733-d61	M9	172	6
43410-740-000	M15	178	10	87522-ZH9-010	M2	165	1	90000				90114-SA0-000	L2	149	26
43417-776-000	M15	178	11					90001-ZE1-000	F5	56	5	90115-459-770	I10	109	7
				87522-ZH9-821	M4	167	7	90001-ZK7-V00	N2	181	24	90115-GB4-700	K9	140	23
45000				87524-883-690	M4	167	8	90002-883-740	L15	162	6	90121-952-000	G9	76	23
45133-044-000	M15	178	12	87525-ZH8-810	M2	165	1	90002-ZG0-003	I16	115	16	90121-ZE0-000	L2	149	27
45135-740-000	M15	178	13	87526-ZH8-000	M4	167	9					90131-883-000	L15	162	7
							10	90002-ZK7-V00	N2	181	25	90131-ZE1-000	E7	42	12
50000								90003-ZE1-000	E16	51	14	90143-300-020	I12	111	6
50319-ZB2-000	J14	129	12	87528-733-E91	M4	167	12	90003-ZH8-003	F9	60	11	90201-878-003	K4	135	11
	J15	130	10	87528-777-000	M6	169	10	90003-ZH8-801	G3	70	15	90202-881-000	M1	164	9
50339-ZR4-T60	E15	50	5	87528-ZB2-630	M4	167	11	90004-ZH7-003	J11	126	23	90203-ZA0-800	N2	181	26
												90206-ZE1-000	F8	59	18
56000				87528-ZE1-690	M4	167	12	90008-ZE2-003	F9	60	12	90300-GB0-900	I9	108	14
56850-767-000	M15	178	14	87528-ZE1-810	M4	167	12		F11	62	16	90301-740-003	M15	178	18
56862-767-300	M15	178	15						F12	63	16	90302-KF9-900	J1	116	25
56955-766-000	M15	178	16	87529-ZE2-020	L8	155	17		G4	71	16	90325-044-000	I3	102	10
					L10	157	15	90010-ZE1-003	K8	139	19		I6	105	8
68000				87529-ZE2-812	L8	155	17	90012-ZE0-010	F8	59	17		I7	106	10
68326-ZB2-000	E7	42	10		L10	157	15	90012-ZE1-003	K8	139	20		I9	108	15
68327-898-000	E7	42	11	87529-ZH8-W41	L8	155	17	90012-ZE1-721	K8	139	20	90380-MA6-010	L8	155	18
68327-ZB2-000	E7	42	11	87529-ZH9-W41	L8	155	17	90013-883-000	E2	37	9		L10	157	16
68328-ZB2-000	E7	42	11	87530-ZH8-010	M4	167	13		G8	75	22	90401-752-003	M10	173	17
				87530-ZH8-821	M4	167	13		L2	149	23	90403-883-620	L14	161	18
78000				87530-ZH8-871	M4	167	13		L5	152	13	90404-680-000	J11	126	24
78118-YB0-003	N2	181	23	87532-ZB4-H50	M6	169	11		M10	173	14	90411-744-000	M10	173	18
78141-YB3-610	M6	169	1	87532-ZH8-000	M4	167	15		E14	49	6	90429-PD1-000	M10	173	19
				87532-ZH8-810	M4	167	15	90014-952-000	E14	49	6	90442-KG8-000	M1	164	10
							16	90015-883-000	K6	137	13	90451-ZE1-000	E7	42	13
									L11	158	7	90456-ZE1-000	L11	158	8
				87532-ZH8-W40	M4	167	14	90015-ZE5-010	L2	149	24		L16	163	6
				87532-ZH9-W41	M4	167	17		L5	152	14	90470-ZE1-000	L11	158	9
				87533-ZC0-630	M6	169	12	90016-ZE1-000	I16	115	17	90471-435-770	M1	164	11
				87534-ZE1-841	M4	167	18								

3

PART NO. INDEX

Table with 4 main columns: Part Number, Address, Page, Ref. for each of four sub-sections. Includes part numbers like 91201-Z0T-801, 93500-04006-OH, 94050-06080, 95001-45400-60, and 95701-08032-00.



PART NO. INDEX

2-B 6

Part Number	Address	Page	Ref.	Part Number	Address	Page	Ref.	Part Number	Address	Page	Ref.	Part Number	Address	Page	Ref.
99003-30000	M7	170	6												
99003-50000	M7	170	7												
99004-21001	M7	170	10												
99004-21002	M7	170	10												
99004-21003	M7	170	10												
99005-01000	M8	171	11												
99008-02000	M8	171	16												
99008-02300	M8	171	16												
99101-ZF5-0650	H15	98	22												
99101-ZF5-0680	H15	98	22												
99101-ZF5-0700	H15	98	22												
99101-ZH8-0620	G16	83	34												
	H10	93	40												
	H14	97	24												
99101-ZH8-0650	G13	80	33												
	G16	83	34												
	H10	93	40												
	H14	97	24												
99101-ZH8-0680	G13	80	33												
	G16	83	34												
	H10	93	40												
	H14	97	24												
99101-ZH8-0700	G13	80	33												
	H11	94	40												
	H14	97	24												
99101-ZH8-0720	H11	94	40												
	H14	97	24												
99101-ZH8-0750	H14	97	24												
99204-ZE0-0350	G13	80	34												
	H12	95	41												
	H14	97	25												
	H15	98	23												
99204-ZE0-0380	G16	83	35												
	H12	95	41												
99204-ZE0-0400	H12	95	41												
99204-ZE2-0380	H14	97	25												

3

PART NAME INDEX

Part name	Address	Page	Ref.	Part name	Address	Page	Ref.	Part name	Address	Page	Ref.
[A]											
ALERT UNIT, OIL	E7	42	9	BOLT, FLANGE, 10X125	M11	174	37	BOLT, FLANGE, 8X20	M16	179	29
	G8	75	14	BOLT, FLANGE, 10X160	M11	174	38	BOLT, FLANGE, 8X22	L14	161	29
	L7	154	12	BOLT, FLANGE, 5X10	K6	137	14		M1	164	16
ARM COMP., GOVERNOR	K12	143	4	BOLT, FLANGE, 6X10	F9	60	12	BOLT, FLANGE, 8X30	M11	174	36
					F11	62	16	BOLT, FLANGE, 8X32	E12	47	16
ARM COMP., L. SIDE CLUTCH ----	M10	173	12		F12	63	16		E14	49	12
ARM COMP., R. SIDE CLUTCH ----	M10	173	11		G4	71	16		E15	50	9
ARM, BRAKE	M15	178	10		I10	109	9	BOLT, FLANGE, 8X35	L15	162	10
ARM, GOVERNOR	K12	143	5		L8	155	28		L15	162	11
	L5	152	3	BOLT, FLANGE, 6X12	L10	157	24		L16	163	11
ARM, VALVE ROCKER	F6	57	6		N2	181	44		M1	164	8
ARRESTER, SPARK	I14	113	7		E2	37	9				
	J3	118	7		E8	43	23	BOLT, FLANGE, 8X45	M13	176	7
	N1	180	8		E15	50	8	BOLT, FLANGE, 8X55	L16	163	12
[B]											
BAG SET, TOOL	M7	170	5		G8	75	22	BOLT, FLANGE, 8X60	E2	37	14
BAG, TOOL, 200MM	M8	171	16		J2	117	29	BOLT, GOVERNOR ARM	L2	149	24
BAG, TOOL, 230MM	M8	171	16		J3	118	13		L5	152	14
BAND	L7	154	11		L2	149	23	BOLT, HEX., 5X28	M16	179	26
	L9	156	10	BOLT, FLANGE, 6X13	L5	152	13	BOLT, HEX., 5/16"	E16	51	14
BAND B1, WIRE	M9	172	7		M10	173	14	BOLT, HEX., 8X20	J3	118	10
BAND, AIR CLEANER CONNECTING TUBE	I11	110	10		N2	181	45		J7	122	5
	E5	40	1	BOLT, FLANGE, 6X14	E14	49	7	BOLT, HEX., 8X25	E16	51	14
BARREL ASSY., CYLINDER	E5	40	1		E14	49	7		F1	52	14
BAR A, HANDLE	M8	171	11		I11	110	14		F2	53	4
BASE COMP., CONTROL	K16	147	15	BOLT, FLANGE, 6X16	I11	110	14		L11	158	13
BASE COMP., MUFFLER COVER ----	I16	115	13		J4	119	6	BOLT, HEX., 8X35	L14	161	23
BEARING, RADIAL BALL	E8	43	16		G9	76	23	BOLT, MUDGUARD	I9	108	14
BEARING, RADIAL BALL, 6004 ...	M12	175	21	BOLT, FLANGE, 6X20	I4	103	12	BOLT, PIVOT, 8MM	F8	59	17
BEARING, RADIAL BALL, 6005 ...	L16	163	13		I6	105	9	BOLT, RECESSED, 5X16	L5	152	15
	M1	164	15		I7	106	12	BOLT, SETTING	K8	139	20
BEARING, RADIAL BALL, 6203 ...	M12	175	22	BOLT, FLANGE, 6X22	I9	108	17	BOLT, SPECIAL, 6X21	M10	173	15
	M14	177	9		I11	110	15	BOLT, SPECIAL, 8MM	M12	175	14
BEARING, RADIAL BALL, 6204 ...	L15	162	12	BOLT, FLANGE, 6X23	J16	131	18	BOLT, STUD, 10X32	N2	181	24
BEARING, RADIAL BALL, 6205 ...	E13	48	17		N2	181	46	BOLT, STUD, 10X60	N2	181	25
	E14	49	13	BOLT, FLANGE, 6X25	K6	137	13	BOLT, STUD, 6X112	E2	37	10
	E15	50	10		G9	76	23	BOLT, STUD, 6X94	E2	37	10
	L12	159	15		J4	119	7	BOLT, STUD, 8X32	E2	37	11
	L14	161	30	BOLT, FLANGE, 6X28	K6	137	15	BOLT, WINKER SETTING	I10	109	7
	M12	175	23		K9	140	24	BOSS, GUIDE	M13	176	2
BEARING, RADIAL BALL, 6206 ...	L14	161	31		K6	137	13	BOX ASSY., CONTROL	L6	153	3
BEARING, RADIAL BALL, 62/22 ..	M14	177	5	BOLT, FLANGE, 6X29	L11	158	7		L9	156	3
BEARING, RADIAL BALL, 6304 ...	E11	46	12		M16	179	30	BOX, TOOL	M7	170	1
BEARING, RADIAL BALL, 6305 ...	L15	162	13	BOLT, FLANGE, 6X32	J11	126	23	BRACKET COMP., FR.	K8	139	15
BODY, CLEANER	I7	106	4		K1	132	7	BRACKET, CASE MOUNTING	L6	153	5
BODY, OIL CAP	M15	178	15	BOLT, FLANGE, 6X32	K8	139	21		L9	156	5
BOLT, 3X12	M9	172	6		M11	174	32		N1	180	12
BOLT, AIR CLEANER COVER	I12	111	6	BOLT, FLANGE, 6X40	M11	174	33	BUSH, CONTROL KNOB	N1	180	19
BOLT, ALTERNATOR	M10	173	16	BOLT, FLANGE, 6X50	F12	63	17	BUSH, FUEL PURGE	K2	133	8
BOLT, BREATHING	L15	162	6	BOLT, FLANGE, 6X55	L14	161	28	BUZZER ASSY.	G8	75	19
BOLT, CONNECTING ROD	F5	56	5	BOLT, FLANGE, 6X8	E8	43	22	[C]			
BOLT, DRAIN PLUG	E7	42	12		G10	77	27	CABLE, DOUBLE CONNECTOR	G7	74	12
BOLT, DRAIN PLUG, 12MM	L14	161	24	BOLT, FLANGE, 8X115	I10	109	9		K6	137	11
	M10	173	24		M13	176	8	CAMSHAFT ASSY.	F6	57	2
BOLT, DRAIN PLUG, 12X15	L15	162	7	BOLT, FLANGE, 8X12	M11	174	34				
				BOLT, FLANGE, 8X16	M11	174	35	CAM, BRAKE	M15	178	8
				BOLT, FLANGE, 8X20	J3	118	14	CAP ASSY., NOISE SUPPRESSOR ...	K5	136	2
					J4	119	8				
					M9	172	8				



PART NAME INDEX

Part name	Address	Page	Ref.	Part name	Address	Page	Ref.	Part name	Address	Page	Ref.
CAP ASSY., OIL FILLER	E10	45	5	CHOKE SET	G11	78	10	COIL ASSY., CHARGE	K6	137	10
			6		H4	87	12	COIL ASSY., IGNITION	K5	136	1
			7		H13	96	9	COIL ASSY., LAMP	K5	136	3
			8		H15	98	8		K6	137	4
	E14	49	4	CIRCLIP, 10.2MM	K9	140	26	COIL ASSY., LAMP & CHARGE	K6	137	5
	E15	50	3	CIRCLIP, 5MM	G12	79	28	COLLAR B, AIR CLEANER	I2	101	8
	L13	160	1		G15	82	29		I5	104	5
CAP COMP., FUEL FILLER	J10	125	18		H9	92	33		I7	106	3
	J14	129	9		H15	98	18		I8	107	8
	J15	130	7		L3	150	28		I11	110	8
	K1	132	4				29	COLLAR,	M12	175	18
	K2	133	15	CIRCLIP, 7MM	M1	164	13				19
CAP, CLEANER	I6	105	7	CIRCLIP, EXTERNAL, 22MM	M14	177	7	COLLAR, AIR CLEANER	I2	101	7
	I7	106	9	CIRCLIP, EXTERNAL, 25MM	M12	175	20		I5	104	4
CAP, FUEL METER	N1	180	7	CIRCLIP, INTERNAL, 47	M1	164	12		I7	106	2
CAP, MUFFLER	I14	113	6	CIRCLIP, INTERNAL, 50MM	M14	177	8		I8	107	7
CAP, OIL	M10	173	8	CIRCLIP, INTERNAL, 52MM	M11	174	29		I11	110	7
CAP, PRE AIR CLEANER	I8	107	11	CLAMPER, CORD	K6	137	6	COLLAR, AIR CLEANER CASE	I13	112	1
CARBURETOR ASSY.	G12	79	11	CLAMP D, 19MM	M16	179	25	COLLAR, CONTROL BOX	J15	130	14
	G14	81	10	CLAMP, CORD	G6	73	8	COLLAR, FUEL PUMP DISTANCE	J8	123	5
	H4	87	13	CLAMP, TUBE	H14	97	23	COLLAR, STOPPER	L1	148	20
	H13	96	10		N2	181	40	COLLAR, TANK CUSHION	J14	129	16
	H15	98	9	CLAMP, TUBE, 7.5X2	J9	124	14	CONNECTOR, SUCTION PORT	M15	178	16
CASE B, STARTER	F14	65	3	CLEANER ASSY., AIR	I11	110	1	CONTROL ASSY.	K11	142	1
			4	CLIP A, WIRE	I11	110	3				2
CASE COMP., AIR CLEANER	I10	109	3	CLIP B, WIRE	I11	110	4		K12	143	3
	I12	111	3	CLIP, CORD	L8	155	20		K14	145	9
CASE COMP., L. TRANSMISSION ..	M10	173	3		L10	157	18		L5	152	2
CASE COMP., RECOIL STARTER ...	F9	60	2	CLIP, GOVERNOR HOLDER	E7	42	15	CORD A, ENGINE STOP	G8	75	16
	F10	61	2	CLIP, HARNESS	G9	76	24	CORD, MAGNET SWITCH	K8	139	16
	F12	63	2	CLIP, PISTON PIN, 18MM	F5	56	6	CORD, STOP SWITCH	K6	137	12
	F14	65	3	CLIP, PURSE LOCK	G9	76	25	COUNTERSHAFT	M12	175	2
			4		L8	155	19	COVER ASSY., CHAIN CASE	L11	158	1
CASE, CLUTCH	M1	164	2		L10	157	17		L16	163	1
CASE, CONTROL	L6	153	4	CLIP, SUB CORD	G4	71	17	COVER ASSY., CRANKCASE	E9	44	1
	L9	156	4	CLIP, TUBE	E2	37	13				2
CASE, PRE AIR CLEANER	I8	107	10		E14	49	10				3
CASE, RECOIL STARTER SPRING ..	F10	61	10		H10	93	39		E14	49	1
	F12	63	10		J13	128	36		E15	50	1
			2				37	COVER COMP., AIR CLEANER	I11	110	6
CASE, REDUCTION	L13	160	2				38		I12	111	4
	L15	162	1				39	COVER COMP., FAN	G5	72	2
CASE, R. TRANSMISSION	M10	173	2		J14	129	19		G6	73	3
CASE, SIDE CLUTCH BEARING	M12	175	10		J16	131	17				4
CENTER, CLUTCH	L13	160	6		K1	132	11				5
CENTER, CLUTCH WEIGHT	L14	161	14		K2	133	21	COVER COMP., GEAR	K7	138	4
CHAIN, DRIVE	L14	161	16				22	COVER COMP., HEAD	E1	36	6
CHAIN, P.T.O. DRIVE	F6	57	5				31	COVER COMP., MUFFLER	I15	114	11
	L11	158	3		M11	174	31	COVER COMP., MUFFLER RR.	I15	114	12
	L16	163	3		N2	181	38	COVER, AIR CLEANER	I1	100	4
CHAMBER SET, FLOAT	G11	78	5				39		I5	104	3
	G14	81	5	CLIP, VALVE GUIDE	E1	36	4		I8	107	5
	H2	85	5	CLIP, WATER HOSE	J12	127	28		I10	109	4
			6	CLIP, WIRE HARNESS	G4	71	17	COVER, BEVEL	M14	177	1
	H13	96	4	COCK ASSY., FUEL	J14	129	2	COVER, CLUTCH	M1	164	1
			5		J15	130	3	COVER, MAGNETIC SWITCH	K8	139	17
	H15	98	4		K2	133	7	COVER, REDUCTION	L13	160	4
CHOKE KIT, REMOTE CONTROL ----	G11	78	1	COIL ASSY., CHARGE	K6	137	8		L15	162	3
	G14	81	1				9	COVER, SPRING	K8	139	13
	H1	84	1								

PART NAME INDEX

Part name	Address	Page	Ref.	Part name	Address	Page	Ref.	Part name	Address	Page	Ref.
COVER, STARTER MOTOR TERMINAL	K8	139	18	[F]				GEAR, SIDE CLUTCH DRIVE.....	M12	175	5
CRANKSHAFT COMP.	E16	51	1	FAN, COOLING	K3	134	2	GOVERNOR ASSY.	E6	41	3
			2		N1	180	10	GRID, AIR CLEANER.....	I5	104	2
			3	FAN, TRANSMISSION COOLING.....	M15	178	4	GRIP.....	M7	170	7
			4	FILTER COMP., FUEL	J10	125	20	GRIP, SCREW DRIVER.....	M7	170	7
			5		J14	129	11	GRIP, STARTER.....	F9	60	9
			6		J15	130	9		G2	69	12
			7		K1	132	6	GROMMET, AIR CLEANER.....	I2	101	5
			8		K2	133	18		I8	107	6
			9	FILTER, CUP	J14	129	5		I12	111	5
			10	FILTER, FUEL	J10	125	20	GROMMET, CORD.....	K6	137	7
			11		J11	126	21	GROMMET, DRAIN HOLE.....	G8	75	21
			12		J15	130	9	GUARD, MISSION.....	M10	173	7
			13	FILTER, OUTER.....	I1	100	3	GUIDE, EX. VALVE.....	E1	36	2
	F2	53	1		I8	107	3	GUIDE, IN. VALVE.....	E1	36	1
CUP, FUEL STRAINER	G15	82	28	FLOAT SET	G11	78	4	GUIDE, MUFFLER.....	I16	115	15
	H9	92	32		G14	81	4		M9	172	3
	J14	129	6		H2	85	4	GUIDE, PRE AIR CLEANER.....	I8	107	12
	J15	130	2		H13	96	3	GUIDE, RATCHET.....	F9	60	5
	K2	133	11	FLYWHEEL COMP.	H15	98	3		F10	61	9
					K4	135	7		F12	63	9
							8		F16	67	8
							9	[H]			
							10	HANDLE, BOX WRENCH.....	M8	171	11
[D]				FORK, SIDE CLUTCH.....	M10	173	9	HARNASS ASSY., SUB WIRE.....	L7	154	8
DEFLECTOR COMP.	I14	113	6	FUSE, BLADE	L8	155	29		L9	156	8
	M9	172	2		L10	157	25	HEAD COMP., CYLINDER.....	E1	36	3
DEFLECTOR, MUFFLER	I15	114	10		N2	181	47	HOLDER, CABLE.....	G12	79	23
DISK, CLUTCH FRICTION	L13	160	7	[G]					G15	82	23
DOWEL PIN, 10X16	E2	37	12	GASKET KIT	N3	182	1		H7	90	26
DOWEL PIN, 8X10	K10	141	33	GASKET SET	G11	78	2		H15	98	17
	L14	161	27		G14	81	2		K15	146	13
DOWEL PIN, 8X14	E12	47	14		H1	84	2		L5	152	8
	E14	49	9		H13	96	1	HOLDER, CLUTCH SPRING.....	N1	180	5
	E15	50	7		H15	98	1	HOLDER, CLUTCH WEIGHT.....	L13	160	11
	L11	158	14	GASKET, CYLINDER HEAD.....	E1	36	5	HOLDER, CONTROL CABLE.....	G12	79	18
	L16	163	10	GASKET, MUFFLER	I15	114	9		G15	82	18
DRIVER 3, MINUS SCREW	M11	174	28		J3	118	8		H6	89	21
DRUM COMP., BRAKE	M7	170	6		J4	119	3	HOLDER, FUEL FILTER.....	J11	126	22
	M15	178	9		J5	120	2	HOLDER, GOVERNOR WEIGHT.....	E6	41	5
					J6	121	4	HOLDER, HARNASS.....	K9	140	27
[E]					J7	122	3	HOLDER, WIRE.....	L1	148	18
ELBOW COMP., AIR CLEANER	I2	101	9				4	H.S.T. ASSY.....	M13	176	1
	I5	104	6		N1	180	9	[I]			
	I7	106	8	GAUGE ASSY., FUEL.....	J9	124	16	INSULATOR, CARBURETOR.....	G12	79	14
	I8	107	9	GAUGE ASSY., THICKNESS.....	M7	170	8		G14	81	14
	I11	110	11	GAUGE, OIL LEVEL	E11	46	11		H6	89	17
ELEMENT B, AIR CLEANER	I12	111	2	GEAR ASSY.	K8	139	14		H14	97	13
ELEMENT COMP., AIR CLEANER	I11	110	2	GEAR, COUNTERSHAFT	M12	175	7		H15	98	12
	I12	111	1	GEAR, DRIVEN	M12	175	8				
ELEMENT, AIR CLEANER	H16	99	2	GEAR, DRIVEN BEVEL	M12	175	13				
	I5	104	1	GEAR, FINAL	M12	175	11				
	I7	106	6	GEAR, INPUT SHAFT CHANGE.....	M12	175	6				
	I8	107	2	GEAR, SIDE CLUTCH.....	M12	175	9				
	I10	109	1								
EMBLEM	M3	166	5								
	M6	169	3								
EMBLEM, UPPER	M2	165	1								
END, LOCK	L1	148	21								

PART NAME INDEX

Part name	Address	Page	Ref.	Part name	Address	Page	Ref.	Part name	Address	Page	Ref.
[J]				LEVER, COCK	G15	82	24	NOZZLE, MAIN	G14	81	12
JET SET, PILOT,	G13	80	34	H8	91	28	H4	87	15
.....	G16	83	35	LEVER, CONTROL	K14	145	10	H5	88	15
.....	H12	95	41	LEVER, FUEL COCK	K2	133	10	H13	96	12
.....	H14	97	25	LIFTER, VALVE	F7	58	7	H15	98	11
JET, MAIN,	H15	98	23	[M]							
.....	G13	80	33	MARK	M5	168	23	NUT	F10	61	13
.....	G16	83	34	MARK A, COMBINATION	M2	165	1	NUT-WASHER, 6MM	F12	63	13
.....	H10	93	40	M6	169	2	NUT, CASTLE, 10MM	M15	178	18
.....	H11	94	40	MARK B, COMBINATION	M4	167	9	NUT, FLANGE, 10MM	E8	43	19
.....	H14	97	24	M6	169	7	M11	174	25
.....	H15	98	22	MARK, AIR CLEANER	M6	169	12	NUT, FLANGE, 5MM	N2	181	36
JOINT, BREATHER	M10	173	1	MARK, AIR CLEANER CAUTION	M4	167	8	NUT, FLANGE, 6MM	M16	179	27
JOINT, DRAIN	N1	180	2	MARK, AIR CLEANER SALES POINT	M5	168	19	I3	102	11
JOINT, FUEL TANK	J9	124	13	MARK, CARBURETOR DRAIN	M5	168	20	I6	105	10
.....	K1	132	2	MARK, CAUTION	M3	166	6	I7	106	11
JOINT, ROD	L5	152	1	M6	169	1	I9	108	16
[K]				M6	169	7	I10	109	8
KEY COMP.	L7	154	14	M6	169	1	I11	110	13
.....	L10	157	12	MARK, CHOKE	M4	167	11	I12	111	7
.....	N1	180	18	M6	169	8	J3	118	12
KEY, 4.78X4.78X38	F1	52	16	M6	169	9	J4	119	5
.....	M1	164	14	MARK, CONTROL BOX	L8	155	17	J12	127	30
KEY, 5MM	L14	161	19	L10	157	15	K1	132	9
KEY, 5X5X21	M15	178	21	MARK, ENGINE SWITCH	M4	167	17	L4	151	33
KEY, 5X5X33	F1	52	16	MARK, EX. CAUTION	M6	169	13	L5	152	18
.....	F2	53	3	MARK, FUEL	M5	168	21	NUT, HEX., 4MM	N2	181	35
.....	L11	158	11	MARK, OIL ALERT	M2	165	4	L8	155	25
KEY, 7X7X33	L14	161	20	M4	167	15	L10	157	23
KEY, SPECIAL WOODRUFF, 25X18	K3	134	1	METER ASSY., FUEL	J14	129	7	NUT, HEX., 5MM	J1	116	25
KNOB, COCK LEVER	N1	180	15	J15	130	5	NUT, HEX., 8MM	J2	117	27
KNOB, RECOIL STARTER	F10	61	14	MUFFLER COMP.	I13	112	2	J3	118	11
.....	F12	63	14	I14	113	2	J4	119	4
[L]				J3	118	1	J5	120	3
LABEL, AIR CLEANER CAUTION	M4	167	18	MARK, OIL CAUTION	M6	169	11	J6	121	6
LABEL, CAUTION	M2	165	1	MARK, THROTTLE INDICATION	M5	168	22	NUT, LOCK, 24MM	J7	122	6
.....	M4	167	7	MARK, TOP	M2	165	1	M1	164	9
.....	M6	169	5	MARK, USE FUEL	M6	169	16	NUT, PIVOT ADJUSTING	F8	59	18
LABEL, E-SPEC	M2	165	2	METER COMP., FUEL	K2	133	12	NUT, SELF-LOCK, 6MM	L2	149	26
.....	M2	165	3	MOTOR ONLY	K8	139	9	NUT, SPECIAL, 14MM	K4	135	11
LABEL, SPECIFICATION	M4	167	13	MOTOR UNIT, STARTER	K7	138	3	NUT, TOOL BOX SETTING	I3	102	10
LENS ASSY., PROTECTOR	L8	155	16	MUFFLER COMP.	I13	112	2	I6	105	8
.....	L10	157	14	I14	113	2	I7	106	10
LEVER COMP., CHOKE	N2	181	22	NETTING, WIRE FLANGE	I14	113	8	NUT, WING, 6MM	I9	108	15
.....	G12	79	20	NOSE, SILENCER	I2	101	6	N2	181	26
.....	G15	82	20	NOZZLE, MAIN	G12	79	13	[O]			
.....	H7	90	23	OIL SEAL							
.....	H7	90	23	L14	161	21	L14	161	21
.....	H14	97	18	M10	173	22	OIL SEAL, 12X25X7	M13	176	5
.....	H14	97	18	M10	173	22	OIL SEAL, 15X24X7	M13	176	3
LEVER COMP., CONTROL	K14	145	10	M10	173	22	OIL SEAL, 15X35X7	M13	176	4
LEVER, COCK	G12	79	24	M10	173	22	OIL SEAL, 20X31X7	M12	175	17
[N]				M10	173	22	OIL SEAL, 25X38X7	L16	163	8
.....	K14	145	10	NETTING, WIRE FLANGE	I14	113	8	E8	43	17
.....	G12	79	24	NOSE, SILENCER	I2	101	6	E12	47	13
.....	G12	79	24	NOZZLE, MAIN	G12	79	13	E15	50	6
.....	G12	79	24	G12	79	13	L11	158	12

PART NAME INDEX

Part name	Address	Page	Ref.	Part name	Address	Page	Ref.	Part name	Address	Page	Ref.
OIL SEAL, 25X41X6	L15	162	8	PACKING, OIL FILLER CAP	E15	50	4	PLUG, SEALING, 28.....	M12	175	16
O-RING	J14	129	4	PACKING, REDUCTION CASE	L13	160	3	PLUG, SPARK.....	E2	37	15
	K7	138	2		L15	162	2		E3	38	15
	K9	140	28	PACKING, REDUCTION COVER	L13	160	5		E4	39	15
O-RING, 100X2	M15	178	24		L15	162	4		M8	171	12
O-RING, 14MM	E8	43	18	PACKING, TRANSMISSION CASE	M10	173	4		M9	172	9
	J12	127	27	PANEL ASSY., BRAKE	M15	178	6	PROTECTOR, CIRCUIT	L8	155	15
	K1	132	8	PANEL COMP., BRAKE	M15	178	5		L10	157	13
O-RING, 15.8X2.4	E14	49	8	PANEL COMP., CONTROL	L6	153	6		M1	180	21
O-RING, 16MM	M10	173	23		L9	156	6	PROTECTOR, LOWER.....	I14	113	5
O-RING, 19.4X2.3	M15	178	23	PANEL, CONTROL BOX	L8	155	17	PROTECTOR, L. MUFFLER.....	J6	121	2
O-RING, 23X2.8	E12	47	15		L10	157	15	PROTECTOR, MUFFLER.....	I14	113	4
O-RING, 26X2.7	L14	161	22	PAN, CLEANER OIL	I7	106	5	PROTECTOR, MUFFLER INNER.....	J3	118	3
O-RING, 42.5X3	M14	177	6	PIECE A, STOPPER	K8	139	10	PROTECTOR, MUFFLER OUTER.....	J3	118	2
O-RING, 56X2.4	N2	181	28	PIECE B, STOPPER	K8	139	11	PROTECTOR, OIL TUBE.....	M15	178	2
O-RING, 5.5X1.4	J11	126	26	PINION ASSY.	K7	138	5	PROTECTOR, R. MUFFLER.....	J6	121	3
O-RING, 64X2	M13	176	6	PINION, BEVEL	M14	177	3	PULLEY COMP., STARTER.....	K3	134	3
				PIN, AUXILIARY CHANGE LEVER ...	M10	173	20	PULLEY, DRIVE.....	M15	178	3
[P]				PIN, FORK	M10	173	10	PULLEY, RECOIL STARTER.....	F10	61	3
PACKING C, FUEL METER	K2	133	16	PIN, GOVERNOR WEIGHT	E7	42	6		F12	63	3
PACKING SET, COCK	J15	130	1	PIN, LOCK, 8MM	E8	43	21	PULLEY, STARTER	K3	134	4
PACKING, AIR CLEANER	H14	97	17	PIN, PISTON	F5	56	3				
	H15	98	16	PIN, SPLIT, 2.0X12	M11	174	27				
PACKING, AIR CLEANER COVER ...	I8	107	4	PIN, SPLIT, 2.0X20	M16	179	28	PUMP ASSY., FUEL	J8	123	3
PACKING, CARBURETOR	G12	79	17	PIN, SPRING, 2X12	G13	80	32				
	G15	82	17		G16	83	33	[R]			
	H6	89	20		H10	93	37	RATCHET, STARTER.....	F9	60	4
	H14	97	16	PIN, SPRING, 2X18	H14	97	21		F10	61	4
	H15	98	14	PIN, STARTER RATCHET	H15	98	21		F12	63	4
PACKING, CASE COVER	E10	45	4		F10	61	5		F15	66	6
	E14	49	2	PIPE COMP., EX.	F12	63	5	RECTIFIER ASSY., REGULATOR....	L6	153	2
	E15	50	2		J3	118	5		L9	156	2
PACKING, CHAIN CASE COVER	L11	158	2	PIPE, EX.	J7	122	2	RECTIFIER ASSY., SILICON.....	L7	154	7
	L16	163	2	PIPE, OIL FILLER	J5	120	1		L9	156	7
PACKING, ELBOW	H16	99	1	PISTON	E11	46	10	RECTIFIER COMP., REGULATOR....	N1	180	13
	I7	106	1		F3	54	2		L6	153	1
	I8	107	1	PIVOT, ROCKER ARM	F4	55	2		L9	156	1
	N1	180	4	PLATE COMP., CLUTCH PRESSURE ..	F5	56	2	REEL, RECOIL STARTER.....	N1	180	11
PACKING, FUEL COCK	G12	79	27	PLATE COMP., DRIVE	F7	58	8		F9	60	3
	G15	82	27	PLATE COMP., SIDE	L13	160	9		F14	65	5
	H8	91	31	PLATE, BRAKE ARM SPRING	M1	164	4	RETAINER, EX. VALVE SPRING....	F8	59	14
PACKING, FUEL FILLER CAP	J10	125	19	PLATE, CLUTCH	G6	73	6	RETAINER, IN. VALVE SPRING....	F8	59	13
	J14	129	10	PLATE, EMBLEM	M15	178	13	RING SET, PISTON.....	F3	54	1
	J15	130	8	PLATE, FRICTION	L13	160	8	RING, SEAL	N2	181	23
	K1	132	5		M3	166	5	ROD ASSY., CONNECTING.....	F5	56	4
	K2	133	17	PLATE, GUARD	F10	61	6	ROD, CHOKE	L5	152	12
PACKING, FUEL STRAINER CUP ...	G14	81	13	PLATE, LEVER SETTING	F12	63	6	ROD, GOVERNOR.....	K12	143	6
	H5	88	16		F16	67	7		L5	152	4
	J14	129	1	PLATE, FUEL INDICATION	M6	169	15	ROD, PUSH.....	F6	57	4
	K2	133	2	PLATE, GUARD	E15	50	5	ROPE, RECOIL STARTER.....	F9	60	10
PACKING, HEAD COVER	E1	36	7	PLATE, LEVER SETTING	G12	79	25		F11	62	15
PACKING, INSULATOR	G12	79	15		G15	82	25		F12	63	15
	G15	82	15	PLATE, L. SIDE CLUTCH	H8	91	29		G2	69	13
	H6	89	18	PLATE, PRE AIR CLEANER	M10	173	6	ROPE, STARTER.....	G2	69	14
	H14	97	14	PLATE, PUSH ROD GUIDE	I8	107	13	ROTATOR, VALVE	F8	59	15
	H15	98	13	PLATE, R. SIDE CLUTCH	F8	59	16	ROTOR ASSY.	K8	139	8
PACKING, OIL FILLER CAP	E11	46	9	PLATE, SIDE	M10	173	5	RUBBER, BOTTOM.....	E7	42	11
	E14	49	5		G6	73	6	RUBBER, CLUTCH DAMPER.....	M1	164	6



PART NAME INDEX

Part name	Address	Page	Ref.	Part name	Address	Page	Ref.	Part name	Address	Page	Ref.
RUBBER, CONTROL BOX	J15	130	12	SCREW, PAN, 4X20	I11	110	12	SHAFT, P.T.O.	L11	158	5
RUBBER, FR. BOTTOM	E7	42	10		L5	152	16		L15	162	5
RUBBER, FUEL	J11	126	25	SCREW, PAN, 4X24	N2	181	31		L16	163	5
	J14	129	15	SCREW, PAN, 4X43	N2	181	32	SHAFT, SCREW DRIVER	M7	170	6
	J15	130	13	SCREW, PAN, 4X6	L4	151	30	SHAFT, SIDE CLUTCH	M12	175	3
RUBBER, FUEL PUMP MOUNTING ...	J8	123	4					SHAFT, SIDE CLUTCH ARM	M10	173	13
RUBBER, RR. BOTTOM	E7	42	11	SCREW, PAN, 4X8	G12	79	30	SHAFT, SUB	F10	61	12
RUBBER, SUPPORTER	H7	90	27		G16	83	31		F12	63	12
	H14	97	20		H10	93	35	SHAFT, WHEEL	M12	175	4
	J8	123	8		H15	98	19	SHOE COMP., BRAKE	M15	178	7
			9	SCREW, PAN, 5X16	N2	181	30	SHROUD ASSY., UPPER	G7	74	10
	K1	132	1		L4	151	32				
	K2	133	4	SCREW, PAN, 5X20	N2	181	33	SHROUD COMP.	G7	74	9
RUBBER, TANK CUSHION	J14	129	14		L2	149	27	SHROUD COMP., LOWER	G6	73	9
RUBBER, TANK MOUNTING	J14	129	12	SCREW, PAN, 5X25	L5	152	17	SLIDER, GOVERNOR	E7	42	7
	J15	130	10		L2	149	27	SPACER COMP., CARBURETOR	G12	79	16
					L3	150	27		G15	82	16
[S]				SCREW, PAN, 5X32	L3	150	27		H6	89	19
SCREEN SET	J15	130	4		N2	181	34		H14	97	15
SCREEN, FUEL STRAINER	J14	129	3	SCREW, PAN, 5X35	G9	76	26	SPACER, 20MM	L11	158	9
SCREW-WASHER, 5X14	K10	141	31		L3	150	27	SPACER, CONTROL LEVER	K16	147	14
SCREW-WASHER, 5X20	K10	141	32	SCREW, PAN, 5X40	G10	77	26	SPACER, MUFFLER COVER	I16	115	14
SCREW-WASHER, 5X30	K9	140	23		L3	150	27	SPANNER, 10X12	M8	171	13
SCREW-WASHER, 5X8	K8	139	19	SCREW, PAN, 5X8	G13	80	31	SPANNER, 10X14	M8	171	14
SCREW-WASHER, 6X20	J1	116	26		G16	83	32	SPANNER, 14X17	M8	171	15
SCREW SET	G11	78	9		H10	93	36	SPRING, BRAKE ARM	M15	178	11
	G14	81	9	SCREW, PAN, 6X6	J6	121	5	SPRING, BRAKE SHOE	M15	178	12
	H2	85	8	SCREW, RECESSED, 5X25	L2	149	25	SPRING, CABLE RETURN	L1	148	17
	H3	86	11	SCREW, SETTING	F9	60	11		L5	152	10
	H13	96	8		G3	70	15				
	H15	98	7	SCREW, SPECIAL, 6X12	L8	155	18	SPRING, CLUTCH	M1	164	5
SCREW SET, DRAIN	G11	78	8		L10	157	16	SPRING, CLUTCH FREE	L13	160	10
	G14	81	8	SCREW, TAPPING, 4X6	I16	115	16	SPRING, COCK LEVER	G12	79	26
	H3	86	9						G15	82	26
			10		J1	116	22		H8	91	30
	H13	96	7					SPRING, CONTROL ADJUSTING	G5	72	1
	H15	98	6	SCREW, TAPPING, 4X8	I16	115	16		K16	147	16
SCREW SET, PILOT	G11	78	6		M9	172	5		L5	152	7
			7	SCREW, TAPPING, 5X25	I16	115	21	SPRING, FRICTION	F9	60	6
	G14	81	6	SCREW, TAPPING, 5X8	I16	115	19		F10	61	7
			7						F12	63	7
	H2	85	7	SCREW, THROTTLE STOP	G12	79	12	SPRING, GOVERNOR	K13	144	7
			8		G14	81	11		L5	152	5
	H13	96	6		H4	87	14	SPRING, LEVER	M9	172	1
	H15	98	5	SEAL, AIR CLEANER	H13	96	11	SPRING, RECOIL STARTER	K14	145	11
SCREW, FLAT, 5X10	J12	127	29	SEAL, BRAKE CAM	H15	98	10		F9	60	7
	J14	129	17	SEAL, FUEL FILLER NECK	I10	109	6		F10	61	8
	J15	130	15	SEAL, MUFFLER PROTECTOR	M15	178	22		F12	63	8
SCREW, LOCK PAN	L2	149	27	SEAL, VALVE STEM	F6	57	1	SPRING, RETURN	G1	68	10
SCREW, OVAL, 4X32	K2	133	1	SEPARATOR, AIR CLEANER	I10	109	2		F9	60	8
SCREW, PAN, 3X12	L8	155	23	SHAFT COMP., P.T.O.	L14	161	17		G2	69	11
	L10	157	21		M1	164	7		G12	79	22
	N2	181	29	SHAFT UNIT, GEAR	K7	138	6		G15	82	22
SCREW, PAN, 3X6	G12	79	29	SHAFT, GOVERNOR ARM	E7	42	8		H7	90	25
	G16	83	30	SHAFT, INPUT	M12	175	1	SPRING, SIDE CLUTCH	K8	139	12
	H9	92	34	SHAFT, JOINT	M14	177	2		M12	175	12
SCREW, PAN, 4X12	L8	155	24								
	L10	157	22								

PART NAME INDEX

Part name	Address	Page	Ref.	Part name	Address	Page	Ref.	Part name	Address	Page	Ref.
SPRING, THROTTLE RETURN	K14	145	8	TANK COMP., FUEL	J14	129	8	WASHER, 10.5MM	M15	178	20
	L5	152	6		J15	130	6	WASHER, 6.5X25X1.5	J11	126	24
SPRING, THRUST	L11	158	8		K1	132	3	WASHER, 8MM	F1	52	15
	L16	163	6		K2	133	13		F2	53	2
SPRING, VALVE	F8	59	12	TERMINAL ASSY., HIGH TENSION --	K5	136	2		L11	158	10
SPRING, WEIGHT RETURN	F7	58	9	TOOL KIT	M7	170	2		L16	163	7
SPROCKET COMP., DRIVE	L14	161	15				3		M1	164	11
SPROCKET, DRIVE	L11	158	4				4		M15	178	19
	L16	163	4	TUBE	J8	123	2	WASHER, 9X16X1.4	M1	164	10
STARTER ASSY., RECOIL	F9	60	1	TUBE A, AIR VENT	J8	123	1	WASHER, AIR DUCT	J15	130	11
	F10	61	1	TUBE A, FUEL	J8	123	6	WASHER, BEVEL GEAR	M14	177	4
	F12	63	1	TUBE B, FUEL	J8	123	7	WASHER, CLUTCH SPRING	M12	175	15
	F13	64	1	TUBE, 3.5X130	E14	49	11	WASHER, CONICAL SPRING, 6MM ---	M10	173	18
	F14	65	1	TUBE, AIR CLEANER CONNECTING --	I11	110	9	WASHER, CONTROL LEVER	K15	146	12
			2	TUBE, BREATHER	E1	36	8	WASHER, DRAIN PLUG, 10.2MM ----	E7	42	14
STAY COMP., CHOKE	H15	98	15		E2	37	8		N2	181	27
STAY COMP., FUEL COCK	K2	133	9	TUBE, DRAIN	N1	180	3	WASHER, DRAIN PLUG, 12MM	L14	161	25
STAY COMP., MUFFLER	J4	119	2	TUBE, FASTENER, 30MM	L8	155	22		L15	162	9
STAY, AIR CLEANER	I10	109	5		L10	157	20		M11	174	26
STAY, CHOKE CONTROL	G12	79	19	TUBE, FUEL TANK	K2	133	3	WASHER, PINION	K9	140	25
	G15	82	19	TUBE, FUEL, 4.5X110	J8	123	6	WASHER, PLAIN, 4MM	L8	155	26
	H6	89	22	TUBE, FUEL, 4.5X140	J12	127	32	WASHER, PLAIN, 5MM	J2	117	28
STAY, MUFFLER	I14	113	3		K1	132	10	WASHER, PLAIN, 6MM	E8	43	20
	J3	118	6	TUBE, FUEL, 4.5X150	J12	127	32		H15	98	20
STRAINER COMP., FUEL	J9	124	10		J16	131	16	WASHER, SEALING, 8MM	M10	173	19
			11		M11	174	30	WASHER, SPECIAL	K9	140	29
	K2	133	5	TUBE, FUEL, 4.5X180	J12	127	33	WASHER, SPRING	K9	140	30
	N1	180	6		J14	129	18	WASHER, SPRING, 4MM	L8	155	27
STRAINER, FUEL	J9	124	10		J16	131	16		N2	181	37
STRAP, WIRE HARNESS, 25MM ----	L8	155	21	TUBE, FUEL, 4.5X240	J13	128	34	WASHER, SPRING, 8MM	L14	161	26
	L10	157	19	TUBE, FUEL, 4.5X250	J16	131	16	WASHER, STARTER	F10	61	11
SUB HARNESS	G7	74	13	TUBE, FUEL, 4.5X300	H10	93	38		F12	63	11
	L7	154	10		J12	127	32	WASHER, TANK CUSHION	J14	129	13
SUSPENSION, AUDIBLE PILOT ----	G8	75	20		K2	133	20	WASHER, THRUST, 20MM	L14	161	18
SUSPENSION, COUPLER	L7	154	9	TUBE, FUEL, 4.5X35	J8	123	7	WASHER, THRUST, 6MM	E7	42	13
	L9	156	9	TUBE, FUEL, 4.5X40	J12	127	31	WATER SEAL, 25X52X9.5	M10	173	21
	N1	180	14	TUBE, FUEL, 4.5X400	H14	97	22	WEIGHT SET, CLUTCH	M1	164	3
SUSPENSION, STRAINER	J9	124	12	TUBE, FUEL, 4.5X430	J12	127	32	WEIGHT, CLUTCH	L13	160	12
	K2	133	6	TUBE, FUEL, 4.5X770	J13	128	35	WEIGHT, GOVERNOR	E6	41	4
SWITCH ASSY., COMBINATION ----	L7	154	13	TUBE, FUEL, 4.5X80	K2	133	19	WIRE, LOCK	L1	148	22
	L10	157	11	TUBE, FUEL, 4.5X95	J15	130	16	WRENCH COMP., SPARK PLUG	M7	170	10
	N1	180	16	TUBE, OIL	M15	178	1	WRENCH, BOX	M7	170	9
SWITCH ASSY., ENGINE	N1	180	20	TUBE, VINYL, 3.5X6.5X210	N2	181	42				
SWITCH ASSY., ENGINE STOP ----	G8	75	15	TUBE, VINYL, 4.5X8X250	N2	181	43	WRENCH, PLUG	M7	170	10
			17								
			18	[V]				[Y]			
	M9	172	4	VALVE SET, FLOAT	G11	78	3	YOKE ASSY.	K7	138	7
SWITCH ASSY., OIL LEVEL	E6	41	2		G14	81	3		K8	139	7
	N1	180	1		H2	85	3				
SWITCH ASSY., STARTER MAGNETIC	K7	138	1		H13	96	2				
SWITCH COMP., STARTING MAGNET	K7	138	1		H15	98	2				
				VALVE, EX.	F7	58	11				
[T]				VALVE, IN.	F7	58	10				
TANK ASSY., FUEL	J9	124	15								
TANK ASSY., OIL	E14	49	3	[W]							
	M15	178	14	WASHER, 10MM	M10	173	17				
TANK COMP., FUEL	J10	125	17		M15	178	17				



1

FOREWORD INDEX

2

ENGINE GROUP

3

PART NUMBER INDEX

4

PART NAME INDEX

HONDA
The Power of Dreams



PARTS CATALOGUE NEWS

Honda Motor Co., Ltd. Service Division

Printed in Japan

CODE NO.	BOOKLET TYPE	13Z2F401
	MICRO- FICHE	13Z2F4EA/FA
PARTS CATALOGUE NEWS	GX160K1 [GCAAK-100]	
NEWS NO.	001	

GX160K1-LSK,NDM4 TYPES sales parts information

NOTE: This Parts Catalogue News explains only the parts of the different model that are produced to conform to addition of the GX160K1-LSK,NDM4 types.

As for the parts not listed on this Parts List News, use the parts of the GX160K1-LJ,NJ types.

Model	Type		Parts catalogue type	Applicable engine serial No.	Applicable carburetor identification No.
GX160K1	LJ	Base model	LJ	GCAAK-1000001~	BE65C B
	LSK	Additional model	LSK		
	NJ	Base model	NJ		
	NDM4	Additional model	NDM4		

NOTE A:PART NO. CHANGE D:NEWLY PROVIDED E:PART NO. DELETION K:REQUIRED NO. CORRECTION L:APPLICATION SERIAL NO. CORRECTION
T:APPLICATION CORRECTION Z:REMARKS CHANGE

PARTS CATALOGUE NEWS

BOOKNo. : 13Z2F401

Block No.	Ref. No.	Part No.	Description	Reqd. QTY		Base Part No.	Parts catalogue code
				GX 160K1 (1)	GX 160K1 (2)		
E-12	15	36100-ZH8-W41	SWITCH ASSY., ENGINE STOP	1		36100-ZE1-015	NDM4
E-16	1	17233-896-701	COLLAR, AIR CLEANER CASE	(2)			NDM4
	11	18433-ZH8-W40	COVER COMP., MUFFLER	(1)			NDM4
	12	18434-ZH8-W40	COVER COMP., MUFFLER RR.	(1)			NDM4
	13	18436-ZH8-W40	BASE COMP., MUFFLER COVER	(1)			NDM4
	14	18466-ZH8-W40	SPACER, MUFFLER COVER	(3)			NDM4
	20	90050-ZE1-000	SCREW, TAPPING, 5X8	(1)			NDM4
	21	90050-ZH8-W40	SCREW, TAPPING, 5X25	(2)			NDM4
	25	90302-KF9-900	NUT, HEX., 5MM	(3)			NDM4
	26	93891-06020-07	SCREW-WASHER, 6X20	(3)			NDM4
	28	94103-05700	WASHER, PLAIN, 5MM	(3)			NDM4
E-17	15	17500-ZE1-813ZA	TANK ASSY., FUEL (GAUGE) *NH31*. MCKINLEY WHITE	1			LSK
	16	17505-ZE1-013	GAUGE ASSY., FUEL	1			LSK
	17		TANK COMP., FUEL *NH31*. MCKINLEY WHITE	0		17510-ZE1-020ZA	LSK
	29	93600-05010-0A	SCREW, FLAT, 5X10	2			LSK
E-19	3	28450-ZH8-801	PULLEY COMP., STARTER	1			LSK
	6		PULLEY, STARTER	0		28451-ZH8-801	LSK
E-22	20	16599-ZG1-M10	COLLAR, STOPPER	(1)			NDM4
	25	90016-ZG9-N30	SCREW, RECESSED, 5X25	(1)			NDM4
E-28	1		MARK A, COMBINATION	0		87520-ZH8-000	NDM4
	2		LABEL, E-SPEC (15.5X27.5)	0		87135-ZE2-020	NDM4
	7	87522-ZH8-W41	MARK, CAUTION	1			NDM4
	9		MARK B, COMBINATION	0		87526-ZH8-000	NDM4

NOTE A:PART NO. CHANGE D:NEWLY PROVIDED E:PART NO.DELETION K:REQUIRED NO. CORRECTION L:APPLICATION SERIAL NO. CORRECTION
T:APPLICATION CORRECTION Z:REMARKS CHANGE

PARTS CATALOGUE NEWS

BOOKNo. : 13Z2F401

Block No.	Ref. No.	Part No.	Description	Reqd. QTY		Base Part No.	Parts catalogue code
				GX 160K1 (1)	GX 160K1 (2)		
	12	87528-733-E91	MARK, CHOKE (H=34)	1		87528-ZE1-810	NDM4
	13		LABEL, SPECIFICATION (5.5PS)	0		87530-ZH8-821	NDM4
	14	87532-ZH8-W40	MARK, THROTTLE INDICATION	1			NDM4
	21	87565-ZE2-000	MARK, FUEL (INTERNAL)	1			LSK
E-40	2	18340-ZE1-010	DEFLECTOR COMP.	1			NDM4
	3	18522-ZE1-000	GUIDE, MUFFLER	1			NDM4
	5	90002-ZG0-003	SCREW, TAPPING, 4X8	2			NDM4

NOTE A:PART NO. CHANGE D:NEWLY PROVIDED E:PART NO. DELETION K:REQUIRED NO. CORRECTION L:APPLICATION SERIAL NO. CORRECTION
T:APPLICATION CORRECTION Z:REMARKS CHANGE



PARTS CATALOGUE NEWS

Honda Motor Co., Ltd. Service Division

Printed in Japan

CODE NO.	BOOKLET TYPE	13Z2F401
	MICRO- FICHE	13Z2F4EA/FA
PARTS CATALOGUE NEWS	GX160K1 [GCAAK-100]	
NEWS NO.	002	

GX160K1-VSW3,VSW4 AND VSW5 TYPES sales parts information

NOTE: This Parts Catalogue News explains only the parts of the different model that are produced to conform to addition of the GX160K1-VSW3,VSW4 and VSW5 types.

As for the parts not listed on this Parts List News, use the parts of the GX160K1-VS3 and VS4 types.

Model	Type		Parts catalogue type	Applicable engine serial No.	Applicable carburetor identification No.
GX160K1	VS3	Base model	VS3	GCAAK-1000001~	BE67A B
	VSW3	Additional model	VSW3		
	VSW4		VSW4		
	VS4	Base model	VS4		
	VSW5	Additional model	VSW5		

NOTE A:PART NO. CHANGE D:NEWLY PROVIDED E:PART NO.DELETION K:REQUIRED NO. CORRECTION L:APPLICATION SERIAL NO. CORRECTION
T:APPLICATION CORRECTION Z:REMARKS CHANGE

PARTS CATALOGUE NEWS

BOOKNo. : 13Z2F401

Block No.	Ref. No.	Part No.	Description	Reqd. QTY		Base Part No.	Parts catalogue code
				GX 160K1 (1)	GX 160K1 (2)		
E-3	9	34150-ZH7-003	ALERT UNIT, OIL	1	-		
	10	68326-ZB2-000	RUBBER, FR. BOTTOM	1	-	68326-ZB2-000	
	11	68327-ZB2-000	RUBBER, RR. BOTTOM	1	-	68327-ZB2-000	
	22	95701-06008-00	BOLT, FLANGE, 6X8	1	-		
E-11	1	28400-ZB2-C02ZF	STARTER ASSY., RECOIL *NH105*...MAT BLACK (#15-#20)	1	-		
	2	28410-ZB2-C02ZF	CASE COMP., RECOIL STARTER *NH105*...MAT BLACK (#15-#20)	1	-		
	3	28420-ZH8-013	REEL, RECOIL STARTER (NATURAL)	1	-		
	4	28422-ZH8-013	RATCHET, STARTER	2	-		
	5	28433-ZH8-003	GUIDE, RATCHET	1	-		
	6	28441-ZH8-003	SPRING, FRICTION	1	-		
	7	28442-ZH8-003	SPRING, RECOIL STARTER	1	-		
	8	28443-ZH8-003	SPRING, RETURN	2	-		
	9	28461-ZE1-003	KNOB, RECOIL STARTER	1	-		
	10	28462-ZH8-003	ROPE, RECOIL STARTER	1	-		
	11	90003-ZH8-003	SCREW, SETTING	1	-		
	12	90008-ZE2-003	BOLT, FLANGE, 6X10	3	-		
E-11-1	1	STARTER ASSY., RECOIL				28400-ZB2-000ZD	
		NH1..... BLACK	0	-			
		Y131..... LIGHTNING YELLOW	0	-	28400-ZB2-000ZE	VSW5	
		T77..... SEC WINE RED	0	-	28400-ZB2-000ZF		
		T80..... BAKELITE ORANGE	0	-	28400-ZB2-000ZG		
	R280..... POWER RED	0	-	28400-ZB2-000ZH	VSW3, VSW4		
	2	CASE COMP., RECOIL STARTER *NH1*..... BLACK	0	-	28410-ZB2-000ZE		

NOTE A:PART NO. CHANGE D:NEWLY PROVIDED E:PART NO.DELETION K:REQUIRED NO. CORRECTION L:APPLICATION SERIAL NO. CORRECTION
T:APPLICATION CORRECTION Z:REMARKS CHANGE

PARTS CATALOGUE NEWS

BOOKNo. : 13Z2F401

Block No.	Ref. No.	Part No.	Description	Reqd. QTY		Base Part No.	Parts catalogue code
				GX 160K1 (1)	GX 160K1 (2)		
			Y131..... LIGHTNING YELLOW	0	-	28410-ZB2-000ZF	
			T77..... SEC WINE RED	0	-	28410-ZB2-000ZG	
			T80..... BAKELITE ORANGE	0	-	28410-ZB2-000ZH	
			R280..... POWER RED	0	-	28410-ZB2-000ZJ	VSW3, VSW4
	3		PULLEY, RECOIL STARTER	0	-	28420-ZE1-003	
	4		RATCHET, STARTER	0	-	28422-ZE1-003	
	5		PIN, STARTER RATCHET	0	-	28423-ZE1-003	
	6		PLATE, FRICTION	0	-	28431-ZE1-003	
	7		SPRING, FRICTION	0	-	28441-ZE1-003	
	8		SPRING, RECOIL STARTER	0	-	28442-ZE1-003	
	9		GUIDE, RATCHET	0	-	28443-ZE1-003	
	10		CASE, RECOIL STARTER SPRING ..	0	-	28445-ZE1-003	
	11		WASHER, STARTER	0	-	28446-ZE1-003	
	12		SHAFT, SUB	0	-	28447-ZE1-003	
	13		NUT	0	-	28448-ZE1-003	
	14		KNOB, RECOIL STARTER	0	-	28461-ZE1-003	
	15		ROPE, RECOIL STARTER	0	-	28462-ZE1-003	
	16		BOLT, FLANGE, 6X10	0	-	90008-ZE2-003	
E-12	2		COVER COMP., FAN			19610-ZE1-000ZL	
			Y131..... LIGHTNING YELLOW	0	-		VSW5
			T77..... SEC WINE RED	0	-	19610-ZE1-000ZM	
			T80..... BAKELITE ORANGE	0	-	19610-ZE1-000ZN	
			R280..... POWER RED	0	-	19610-ZE1-000ZP	VSW3, VSW4
		19610-ZE1-000ZG	*NH105*... MAT BLACK (#15-#20)	1	-	19610-ZE1-000ZC	
E-15-4	7	90115-459-770	BOLT, WINKER SETTING	2	-	90115-459-770	

NOTE A:PART NO. CHANGE D:NEWLY PROVIDED E:PART NO.DELETION K:REQUIRED NO. CORRECTION L:APPLICATION SERIAL NO. CORRECTION
T:APPLICATION CORRECTION Z:REMARKS CHANGE

PARTS CATALOGUE NEWS

BOOKNo. : 13Z2F401

Block No.	Ref. No.	Part No.	Description	Reqd. QTY		Base Part No.	Parts catalogue code
				GX 160K1 (1)	GX 160K1 (2)		
	9	95701-06010-00	BOLT, FLANGE, 6X10	1	-	95701-06008-00	
E-16-1	3	18325-ZH8-T90	PROTECTOR, MUFFLER INNER (DENYO)	1	-	18325-ZB2-000	
E-17-1	12	50319-ZB2-000	RUBBER, TANK MOUNTING	2	-		
	13	90503-898-000	WASHER, TANK CUSHION	2	-	90503-898-000	
	14	90851-898-000	RUBBER, TANK CUSHION	2	-	90851-898-000	
	16	91551-898-000	COLLAR, TANK CUSHION	2	-	91551-898-000	
	17		SCREW, FLAT, 5X10	0	-	93600-05010-0A	
E-19	4		PULLEY, STARTER	0	-	28451-ZE1-003	
	5	28451-ZH8-003	PULLEY, STARTER	1	-		
E-22	20	16599-ZG1-M10	COLLAR, STOPPER	(1)	-	VSW4	
	25	90016-ZG9-N30	SCREW, RECESSED, 5X25	(1)	-	VSW4	
E-28	2	87135-ZE2-020	LABEL, E-SPEC (15.5X27.5)	1	-	VSW3, VSW5	
	3		LABEL, E-SPEC (15.5X27.5)	0	-	87135-ZE2-020	
	4		MARK, OIL ALERT	0	-	87502-ZB2-G01	
E-28-1	3	87521-ZH8-030	EMBLEM (5.5)	1	-		
E-40-6	35		NUT, FLANGE, 6MM	0	-	94050-06000	
	44		BOLT, FLANGE, 6X10	0	-	95701-06010-00	

NOTE A:PART NO. CHANGE D:NEWLY PROVIDED E:PART NO.DELETION K:REQUIRED NO. CORRECTION L:APPLICATION SERIAL NO. CORRECTION
T:APPLICATION CORRECTION Z:REMARKS CHANGE



PARTS CATALOGUE NEWS

Honda Motor Co., Ltd. Service Division

PARTS CATALOGUE - CORRECTED

Printed in Japan

CODE NO.	BOOKLET TYPE	13Z2F401
	MICRO-FICHE	13Z2F4EA/FA
PARTS CATALOGUE NEWS	GX160K1 [GCAAK-100]	
NEWS NO.	003	

Block No.	Ref. No.	Note	Part No.	Description	Reqd. QTY		Serial No.	Parts catalogue code
					GX 160K1 (1)	GX 160K1 (2)		
E-14-1	6	L	16016-ZE0-005	SCREW SET, PILOT (CARBURETOR NO.)	-	(1)	----- BE11C B	
	7	T	16016-ZH7-W01	SCREW SET, PILOT (CARBURETOR NO.)	1	-	----- QNT4	
	10	L	16100-ZH8-801	CARBURETOR ASSY. (BE11C B) ...	-	(1)	----- 1001091	
		T	16100-ZH8-802	CARBURETOR ASSY. (BE11C C) ...	1	-	----- QNT4	
					-	(1)	1001092	
E-28	2	L	87135-ZE2-020	LABEL, E-SPEC (15.5X27.5) ...	1	-	-----	BL, HH, HX, HXE8, HXU, KTA, LA1, LD, LH, LHB3, LJ, LJC7, LJG, LJS, LSK LVL, LW2, LX, LXU, NJ, NJC1, NJG, NSJ, PHM, PX, PXU, QAB3, QD, QH, QHE QHP1, QMH, QNZ, QP, QVL, QX, QXC, QXE, QXE8, QXM1, QXU, RD, RH, RMD RSS1, RX, RXE, RXU, SCJ, SD, SH, SHM, SJ, SJC1, SJC5, SJG, SMJ, SMJ1 SM11, SSK1, STQ, SX, SXE, SXU, S1CY, TX, TXU, UXU, VEBM, VED, VED1 VED5, VES, VSG, VSW3, VSW5, VSX, VSX1, VSX3, VX, VXD, VXD1, VXM, VXU VXU1, WJP, WMT
					1	-	----- 1001091	HHQ4, HX4, LHQ4, LSJ4, LX4, QE, QFE4, QHQ4, QKA4, QMC6, QMC8, QMD6 QME4, QNT, QNT4, QPU, QXE4, QXW, QX4, QX7, RD4, RHQ4, RMB4, RSK, RXE4 RX4, SDS, SD4, SE, SHQ4, SHRY, SMC7, SMC9, SMX4, SM14, SWX4, SXE4 SX4, SX7, TX4, VED6, VMS4, VMS7, VSD, VSD7, VXE4, VXE7, VX4, WDA6 WKD6, WKT4, WMBO, WME4

NOTE A:PART NO. CHANGE D:NEWLY PROVIDED E:PART NO. DELETION K:REQUIRED NO. CORRECTION L:APPLICATION SERIAL NO. CORRECTION
T:APPLICATION CORRECTION Z:REMARKS CHANGE

PARTS CATALOGUE NEWS

BOOKNo. : 13Z2F401

Block No.	Ref. No.	Note	Part No.	Description	Reqd. QTY		Serial No.	Parts catalogue code
					GX 160K1 (1)	GX 160K1 (2)		
					-	1		
	3	T	87135-ZE2-020	LABEL, E-SPEC (15.5X27.5)	1	-	-----	KR, SKM, ST, STM, VED3, VMT, VSB1, VS3, VS4, VTU1
					1	-	----- 1001091	ARC6, SWG4, VGE4, VHA7, VHH4, VPM4, VPM7, VPR7, VSD1, VS17, VTH4
					-	1		

NOTE A:PART NO. CHANGE D:NEWLY PROVIDED E:PART NO.DELETION K:REQUIRED NO. CORRECTION L:APPLICATION SERIAL NO. CORRECTION
 T:APPLICATION CORRECTION Z:REMARKS CHANGE



PARTS CATALOGUE NEWS

Honda Motor Co., Ltd. Service Division

PARTS CATALOGUE - CORRECTED

Printed in Japan

CODE NO.	BOOKLET TYPE	13Z2F401
	MICRO-FICHE	13Z2F4EA/FA
PARTS CATALOGUE NEWS	GX160K1 [GCAAK-100]	
NEWS NO.	004	

Block No.	Ref. No.	Note	Part No.	Description	Reqd. QTY		Serial No.	Parts catalogue code
					GX 160K1 (1)	GX 160K1 (2)		
E-11-3	17		91406-671-000	CLIP, WIRE HARNESS	1	-	----- 1029380	ST, STM
		A	91406-166-000	CLIP, WIRE	1	-	1029381 -----	ST, STM

NOTE A:PART NO. CHANGE D:NEWLY PROVIDED E:PART NO. DELETION K:REQUIRED NO. CORRECTION L:APPLICATION SERIAL NO. CORRECTION
T:APPLICATION CORRECTION Z:REMARKS CHANGE



PARTS CATALOGUE NEWS

Honda Motor Co., Ltd. Service Division

PARTS CATALOGUE - CORRECTED

Printed in Japan

CODE NO.	BOOKLET TYPE	13Z2F401
	MICRO-FICHE	13Z2F4EA/FA
PARTS CATALOGUE NEWS	GX160K1 [GCAAK-100]	
NEWS NO.	005	

Block No.	Ref. No.	Note	Part No.	Description	Reqd. QTY		Serial No.	Parts catalogue code	
					GX 160K1 (1)	GX 160K1 (2)			
E-16	7	L	18355-ZE1-000	ARRESTER, SPARK	1	-	-----	KTA, LJC7, QA2, QA26, QBC2, QMX2, QMZ2, QNT, QNT4, SJC1, SJC5, SMW2, SM12, SSK1, SSK2, STQ, SXS4, S1CY, VA2, VED1, VED5, VED6, VTH4, VWA2, VW12, WKD6, WKT2, WKT4, WKT6, WME2, WMT	
					1	-	-----	1007810	VPM5
					(1)	-	-----	-----	HG12, HX, HXE2, HXE8, HXU, HX2, HX26, HX4, LX, LXU, LX2, LX26, LX4, PX, PXU, QAX2, QBT6, QCB2, QCL, QGR2, QGR9, Q12, QKA4, QSC2, QS2, QWX2, QX, QXE, QXE2, QXE4, QXE6, QXE8, QXF2, QXM1, QXS2, QXU, QXW, QX2, QX22, QX26, QX4, QX7, RH, RHA2, RHQ4, RH2, RH26, RMG2, RSK, RTB2, RXE2, SG24, SWX2, SWX4, TCS2, TX, TXU, TX2, TX26, TX4, VGE4, VHA7, VHH4, VMS4, VMS7, VPM4, VPM7, VPR4, VPR7, VSD, VSD1, VSD7, VSX, VSX1, VSX3, VS17, VTU1, VX, VXM, VXU, VXU1, VXX2, VX2, VX4
					-	(1)	-----	-----	
		T	18355-ZE1-810	ARRESTER, SPARK (SILENT)	1	-	-----	QE, QFE4, QMC8, QMD6, QNZ, QWA4, QXC, QXC6, QXC9, SE, SG24, SMC7, SMC9, VE8M, VG24, VMS4	
					1	-	-----	1007811	VPM5
					-	(1)	-----	-----	

NOTE A:PART NO. CHANGE D:NEWLY PROVIDED E:PART NO. DELETION K:REQUIRED NO. CORRECTION L:APPLICATION SERIAL NO. CORRECTION
T:APPLICATION CORRECTION Z:REMARKS CHANGE

October 03, 2004



PARTS CATALOGUE NEWS

Honda Motor Co., Ltd. Service Division

PARTS CATALOGUE - CORRECTED

Printed in Japan

CODE NO.	BOOKLET TYPE	13Z2F401
	MICRO- FICHE	13Z2F4EA/FA
PARTS CATALOGUE NEWS	GX160K1 [GCAAK-100]	
NEWS NO.	006	

Block No.	Ref. No.	Note	Part No.	Description	Reqd. QTY		Serial No.	Parts catalogue code
					GX 160K1 (1)	GX 160K1 (2)		
E-16	18	T	90016-ZE1-000	BOLT, FLANGE, 6X13(CT200)	1	-	-----	HG12, LA1, QE, QFE4, QMC8, QMD6, QNZ, QWA4, QXC, QXC6, QXC9, QX7 RTB2, SE, SG24, SMC7, SMC9, SX7, VEBM, VG24, VHA7, VMS4, VMS7, VSD7 VSX, VSX1, VSX3, VXE7

- (1)

NOTE A:PART NO. CHANGE D:NEWLY PROVIDED E:PART NO.DELETION K:REQUIRED NO. CORRECTION L:APPLICATION SERIAL NO. CORRECTION
T:APPLICATION CORRECTION Z:REMARKS CHANGE



PARTS CATALOGUE NEWS

Honda Motor Co., Ltd. Service Division

PARTS CATALOGUE - CORRECTED

Printed in Japan

CODE NO.	BOOKLET TYPE	13Z2F401
	MICRO-FICHE	13Z2F4EA/FA
PARTS CATALOGUE NEWS	GX160K1 [GCAAK-100]	
NEWS NO.	007	

Block No.	Ref. No.	Note	Part No.	Description	Reqd. QTY		Serial No.	Parts catalogue code
					GX 160K1 (1)	GX 160K1 (2)		
E-3	10	T	68326-ZB2-000	RUBBER, FR. BOTTOM	1	-	-----	VSW3, VSW4, VSW5
					1	-	1004299	-----
	11	T	68327-ZB2-000	RUBBER, RR. BOTTOM	2	-	-----	VSB1, VSG, VSX, VSX1, VSX3, VS3, VS4
					1	-	-----	VSW3, VSW4, VSW5
				1	-	1004299	-----	LJC7
				2	-	-----	VSB1, VSG, VSX, VSX1, VSX3, VS3, VS4	

NOTE A:PART NO. CHANGE D:NEWLY PROVIDED E:PART NO.DELETION K:REQUIRED NO. CORRECTION L:APPLICATION SERIAL NO. CORRECTION
T:APPLICATION CORRECTION Z:REMARKS CHANGE



PARTS CATALOGUE NEWS

Honda Motor Co., Ltd. Service Division

PARTS CATALOGUE - CORRECTED

Printed in Japan

CODE NO.	BOOKLET TYPE	13Z2F401
	MICRO-FICHE	13Z2F4EA/FA
PARTS CATALOGUE NEWS	GX160K1 [GCAAK-100]	
NEWS NO.	008	

Block No.	Ref. No.	Note	Part No.	Description	Reqd. QTY		Serial No.	Parts catalogue code	
					GX 160K1 (1)	GX 160K1 (2)			
E-11	1	L	28400-ZH8-R10ZD	STARTER ASSY., RECOIL (TURFCO) *R280*..... POWER RED	1	-	----- 1052604	HG12, SNX, SNX1	
	2	L	28410-ZH8-003YA	CASE COMP., RECOIL STARTER *R280*..... POWER RED	1	-	----- 1052604	HG12, SNX, SNX1	
	3	L	28420-ZH8-013	REEL, RECOIL STARTER (NATURAL)	1	-	----- -----	VSW3, VSW4, VSW5	
						1	-	----- 1052604	HG12, SNX, SNX1
	4	L	28422-ZH8-013	RATCHET, STARTER	2	-	----- -----	VSW3, VSW4, VSW5	
						2	-	----- 1052604	HG12, SNX, SNX1
	5	L	28433-ZH8-003	GUIDE, RATCHET	1	-	----- -----	VSW3, VSW4, VSW5	
					1	-	----- 1052604	HG12, SNX, SNX1	
6	L	28441-ZH8-003	SPRING, FRICTION	1	-	----- -----	VSW3, VSW4, VSW5		
					1	-	----- 1052604	HG12, SNX, SNX1	
7	L	28442-ZH8-003	SPRING, RECOIL STARTER	1	-	----- -----	VSW3, VSW4, VSW5		
					1	-	----- 1052604	HG12, SNX, SNX1	

NOTE A:PART NO. CHANGE D:NEWLY PROVIDED E:PART NO.DELETION K:REQUIRED NO. CORRECTION L:APPLICATION SERIAL NO. CORRECTION
T:APPLICATION CORRECTION Z:REMARKS CHANGE

PARTS CATALOGUE NEWS

BOOKNo. : 13Z2F401

Block No.	Ref. No.	Note	Part No.	Description	Reqd. QTY		Serial No.	Parts catalogue code				
					GX 160K1 (1)	GX 160K1 (2)						
	8	L	28443-ZH8-003	SPRING, RETURN	2	-	-----	VSW3, VSW4, VSW5				
					2	-	----- 1052604	HG12, SNX, SNX1				
	9	L	28461-ZH8-003	GRIP, STARTER	1	-	----- 1052604	HG12, SNX, SNX1				
	10	L	28462-ZH8-R10	ROPE, RECOIL STARTER	1	-	----- 1052604	HG12, SNX, SNX1				
	11	L	90003-ZH8-003	SCREW, SETTING	1	-	-----	VSW3, VSW4, VSW5				
					1	-	----- 1052604	HG12, SNX, SNX1				
	12	L	90008-ZE2-003	BOLT, FLANGE, 6X10	3	-	-----	VSW3, VSW4, VSW5				
					3	-	----- 1052604	HG12, SNX, SNX1				
E-11-3	1	D	28400-ZH8-R11ZA	STARTER ASSY., RECOIL (TURFCO) *R280*..... POWER RED	1	-	1052605 -----	HG12, SNX, SNX1				
	4	T	28410-ZH8-003YA	CASE COMP., RECOIL STARTER *R280*..... POWER RED	1	-	-----	AR, ARC6, BL, HH, HHQ4, HH26, HX, HXE2, HXE8, HXU, HX2, HX26, HX4, KR KTA, LD, LH, LHB3, LHQ4, LJ, LJC7, LJC, LSJ4, LSK, LW2, LX, LXU, LX2 LX26, LX4, NDM4, NJ, NJG, NSJ, PHM, PX, PXU, QAB3, QAX2, QA2, QA26 QBC2, QBT6, QCB2, QCL, QD, QE, QFE4, QGR2, QGR9, QH, QHE, QHP1, QHQ4 QH2, QH26, QI2, QKA4, QMC6, QMC8, QMD6, QME4, QMH, QMX2, QMZ2, QNT QNT4, QNZ, QP, QPU, QSC2, QSC9, QS2, QWA4, QX, QXC, QXC6, QXC9, QXE QXE2, QXE4, QXE6, QXE8, QXF2, QXM1, QXS2, QXU, QXW, QX2, QX22, QX26 QX4, QX7, RD, RD4, RH, RHA2, RHQ4, RH2, RH26, RMB4, RMD, RMG2, RSK RSS1, RTB2, RX, RXE, RXE2, RXE4, RXU, RX4, SCJ, SD, SDS, SD16, SD4, SE SG24, SH, SHM, SHQ4, SHRY, SJ, SJC1, SJC5, SJG, SMC7, SMC9, SMJ, SMJ1 SMW2, SMX4, SM11, SM12, SM14, ST, STQ, SX, SXE, SXE4, SXS4, SXU, SX4 SX7, S1CY, TCS2, TX, TXC9, TXU, TX2, TX26, TX4, UXU, VA2, VEBM, VED VED1, VED2, VED3, VES, VGE4, VG24, VHA7, VHH4, VMS4, VMS7, VMT, VPM4 VPM5, VPM7, VPR4, VPR7, VSD, VSD1, VSD7, VSX, VSX1, VSX3, VS17, VTH4 VTU1, VX, VXE4, VXE7, VXM, VXU, VXU1, VXW2, VX2, VX4, WDA6, WJP, WKD6 WKT2, WKT4, WKT6, WMBO, WME2, WME4, WMT	1	-	1052605 -----	HG12, SNX, SNX1
					-	(1)						

NOTE A:PART NO. CHANGE D:NEWLY PROVIDED E:PART NO. DELETION K:REQUIRED NO. CORRECTION L:APPLICATION SERIAL NO. CORRECTION
T:APPLICATION CORRECTION Z:REMARKS CHANGE

PARTS CATALOGUE NEWS

BOOKNo. : 13Z2F401

Block No.	Ref. No.	Note	Part No.	Description	Reqd. QTY		Serial No.	Parts catalogue code	
					GX 160K1 (1)	GX 160K1 (2)			
5	T		28421-ZH8-801	REEL, RECOIL STARTER	1	-	-----	AR, ARC6, BL, EMA2, HH, HHQ4, HH26, HX, HXE2, HXE8, HXU, HX2, HX26, HX4, KR, KTA, LA1, LD, LH, LHB3, LHQ4, LJ, LJC7, LJG, LSJ4, LSK, LW2, LX, LXU, LX2, LX26, LX4, NDM4, NJ, NJC1, NJG, NSJ, PHM, PX, PXU, QAB3, QAX2, QA2, QA26, QBC2, QBT6, QCB2, QCL, QD, QE, QFE4, QGR2, QGR9, QH, QHE, QHP1, QHQ4, QH2, QH26, QI2, QKA4, QMC6, QMC8, QMD6, QME4, QMH, QMX2, QMZ2, QNT, QNT4, QNZ, QP, QPU, QSC2, QSC9, QS2, QWA4, QWX2, QX, QXC, QXC6, QXC9, QXE, QXE2, QXE4, QXE6, QXE8, QXF2, QXM1, QXS2, QXU, QXW, QX2, QX22, QX26, QX4, QX7, RD, RD4, RH, RHA2, RHQ4, RH2, RH26, RMB4, RMD, RMG2, RSK, RSS1, RTB2, RX, RXE, RXE2, RXE4, RXU, RX4, SCJ, SD, SDS, SD16, SD4, SE, SG24, SH, SHM, SHQ4, SHRY, SJ, SJC1, SJC5, SJG, SMC7, SMC9, SMJ, SMJ1, SMW2, SMX4, SM11, SM12, SM14, SSK1, SSS2, ST, STQ, SWX2, SWX4, SX, SXE, SXE4, SXS4, SXU, SX4, SX7, S1CY, TCS2, TX, TXC9, TXU, TX2, TX26, TX4, UXU, VA2, VEBM, VED, VED1, VED2, VED3, VED5, VED6, VEN2, VES, VGE4, VG24, VHA7, VHH4, VMS4, VMS7, VMT, VPM4, VPM5, VPM7, VPR4, VPR7, VSD, VSD1, VSD7, VSX, VSX1, VSX3, VS17, VTH4, VTU1, VWA2, VW12, VX, VXD, VXD1, VXE4, VXE7, VXM, VXU, VXU1, VXW2, VX2, VX4, WDA6, WJP, WKD6, WKT2, WKT4, WKT6, WMBO, WME2, WME4, WMT	
					1	-	1052605	-----	HG12, SNX, SNX1
					-	(1)			
6	T		28422-ZH8-801	RATCHET, STARTER	2	-	-----	AR, ARC6, BL, EMA2, HH, HHQ4, HH26, HX, HXE2, HXE8, HXU, HX2, HX26, HX4, KR, KTA, LA1, LD, LH, LHB3, LHQ4, LJ, LJC7, LJG, LSJ4, LSK, LW2, LX, LXU, LX2, LX26, LX4, NDM4, NJ, NJC1, NJG, NSJ, PHM, PX, PXU, QAB3, QAX2, QA2, QA26, QBC2, QBT6, QCB2, QCL, QD, QE, QFE4, QGR2, QGR9, QH, QHE, QHP1, QHQ4, QH2, QH26, QI2, QKA4, QMC6, QMC8, QMD6, QME4, QMH, QMX2, QMZ2, QNT, QNT4, QNZ, QP, QPU, QSC2, QSC9, QS2, QWA4, QWX2, QX, QXC, QXC6, QXC9, QXE, QXE2, QXE4, QXE6, QXE8, QXF2, QXM1, QXS2, QXU, QXW, QX2, QX22, QX26, QX4, QX7, RD, RD4, RH, RHA2, RHQ4, RH2, RH26, RMB4, RMD, RMG2, RSK, RSS1, RTB2, RX, RXE, RXE2, RXE4, RXU, RX4, SCJ, SD, SDS, SD16, SD4, SE, SG24, SH, SHM, SHQ4, SHRY, SJ, SJC1, SJC5, SJG, SMC7, SMC9, SMJ, SMJ1, SMW2, SMX4, SM11, SM12, SM14, SSK1, SSS2, ST, STQ, SWX2, SWX4, SX, SXE, SXE4, SXS4, SXU, SX4, SX7, S1CY, TCS2, TX, TXC9, TXU, TX2, TX26, TX4, UXU, VA2, VEBM, VED, VED1, VED2, VED3, VED5, VED6, VEN2, VES, VGE4, VG24, VHA7, VHH4, VMS4, VMS7, VMT, VPM4, VPM5, VPM7, VPR4, VPR7, VSD, VSD1, VSD7, VSX, VSX1, VSX3, VS17, VTH4, VTU1, VWA2, VW12, VX, VXD, VXD1, VXE4, VXE7, VXM, VXU, VXU1, VXW2, VX2, VX4, WDA6, WJP, WKD6, WKT2, WKT4, WKT6, WMBO, WME2, WME4, WMT	
					2	-	1052605	-----	HG12, SNX, SNX1
					-	(2)			

NOTE A:PART NO. CHANGE D:NEWLY PROVIDED E:PART NO. DELETION K:REQUIRED NO. CORRECTION L:APPLICATION SERIAL NO. CORRECTION
T:APPLICATION CORRECTION Z:REMARKS CHANGE

PARTS CATALOGUE NEWS

BOOKNo. : 13Z2F401

Block No.	Ref. No.	Note	Part No.	Description	Reqd. QTY		Serial No.	Parts catalogue code
					GX 160K1 (1)	GX 160K1 (2)		
7	T		28431-ZH8-801	PLATE, FRICTION	1	-	-----	AR, ARC6, BL, EMA2, HH, HHQ4, HH26, HX, HXE2, HXE8, HXU, HX2, HX26, HX4, KR, KTA, LA1, LD, LH, LHB3, LHQ4, LJ, LJC7, LJG, LSJ4, LSK, LW2, LX, LXU, LX2, LX26, LX4, NDM4, NJ, NJC1, NJG, NSJ, PHM, PX, PXU, QAB3, QAX2, QA2, QA26, QBC2, QBT6, QCB2, QCL, QD, QE, QFE4, QGR2, QGR9, QH, QHE, QHP1, QHQ4, QH2, QH26, QI2, QKA4, QMC6, QMC8, QMD6, QME4, QMH, QMX2, QMZ2, QNT, QNT4, QNZ, QP, QPU, QSC2, QSC9, QS2, QWA4, QWX2, QX, QXC, QXC6, QXC9, QXE, QXE2, QXE4, QXE6, QXE8, QXF2, QXM1, QXS2, QXU, QXW, QX2, QX22, QX26, QX4, QX7, RD, RD4, RH, RHA2, RHQ4, RH2, RH26, RMB4, RMD, RMG2, RSK, RSS1, RTB2, RX, RXE, RXE2, RXE4, RXU, RX4, SCJ, SD, SDS, SD16, SD4, SE, SG24, SH, SHM, SHQ4, SHRY, SJ, SJC1, SJC5, SJG, SMC7, SMC9, SMJ, SMJ1, SMW2, SMX4, SM11, SM12, SM14, SSK1, SSS2, ST, STQ, SWX2, SWX4, SX, SXE, SXE4, SXS4, SXU, SX4, SX7, S1CY, TCS2, TX, TXC9, TXU, TX2, TX26, TX4, UXU, VA2, VEBM, VED, VED1, VED2, VED3, VED5, VED6, VEN2, VES, VGE4, VG24, VHA7, VHH4, VMS4, VMS7, VMT, VPM4, VPM5, VPM7, VPR4, VPR7, VSD, VSD1, VSD7, VSX, VSX1, VSX3, VS17, VTH4, VTU1, VWA2, VW12, VX, VXD, VXD1, VXE4, VXE7, VXM, VXU, VXU1, VXW2, VX2, VX4, WDA6, WJP, WKD6, WKT2, WKT4, WKT6, WMBO, WME2, WME4, WMT
					1	-	1052605 -----	HG12, SNX, SNX1
					-	(1)		
8	T		28433-ZH8-801	GUIDE, RATCHET	1	-	-----	AR, ARC6, BL, EMA2, HH, HHQ4, HH26, HX, HXE2, HXE8, HXU, HX2, HX26, HX4, KR, KTA, LA1, LD, LH, LHB3, LHQ4, LJ, LJC7, LJG, LSJ4, LSK, LW2, LX, LXU, LX2, LX26, LX4, NDM4, NJ, NJC1, NJG, NSJ, PHM, PX, PXU, QAB3, QAX2, QA2, QA26, QBC2, QBT6, QCB2, QCL, QD, QE, QFE4, QGR2, QGR9, QH, QHE, QHP1, QHQ4, QH2, QH26, QI2, QKA4, QMC6, QMC8, QMD6, QME4, QMH, QMX2, QMZ2, QNT, QNT4, QNZ, QP, QPU, QSC2, QSC9, QS2, QWA4, QWX2, QX, QXC, QXC6, QXC9, QXE, QXE2, QXE4, QXE6, QXE8, QXF2, QXM1, QXS2, QXU, QXW, QX2, QX22, QX26, QX4, QX7, RD, RD4, RH, RHA2, RHQ4, RH2, RH26, RMB4, RMD, RMG2, RSK, RSS1, RTB2, RX, RXE, RXE2, RXE4, RXU, RX4, SCJ, SD, SDS, SD16, SD4, SE, SG24, SH, SHM, SHQ4, SHRY, SJ, SJC1, SJC5, SJG, SMC7, SMC9, SMJ, SMJ1, SMW2, SMX4, SM11, SM12, SM14, SSK1, SSS2, ST, STQ, SWX2, SWX4, SX, SXE, SXE4, SXS4, SXU, SX4, SX7, S1CY, TCS2, TX, TXC9, TXU, TX2, TX26, TX4, UXU, VA2, VEBM, VED, VED1, VED2, VED3, VED5, VED6, VEN2, VES, VGE4, VG24, VHA7, VHH4, VMS4, VMS7, VMT, VPM4, VPM5, VPM7, VPR4, VPR7, VSD, VSD1, VSD7, VSX, VSX1, VSX3, VS17, VTH4, VTU1, VWA2, VW12, VX, VXD, VXD1, VXE4, VXE7, VXM, VXU, VXU1, VXW2, VX2, VX4, WDA6, WJP, WKD6, WKT2, WKT4, WKT6, WMBO, WME2, WME4, WMT
					1	-	1052605 -----	HG12, SNX, SNX1
					-	(1)		

NOTE A:PART NO. CHANGE D:NEWLY PROVIDED E:PART NO.DELETION K:REQUIRED NO. CORRECTION L:APPLICATION SERIAL NO. CORRECTION
T:APPLICATION CORRECTION Z:REMARKS CHANGE

PARTS CATALOGUE NEWS

BOOKNo. : 13Z2F401

Block No.	Ref. No.	Note	Part No.	Description	Reqd. QTY		Serial No.	Parts catalogue code
					GX 160K1 (1)	GX 160K1 (2)		
9	T		28441-ZH8-801	SPRING, FRICTION	1	-	-----	AR, ARC6, BL, EMA2, HH, HHQ4, HH26, HX, HXE2, HXE8, HXU, HX2, HX26, HX4, KR, KTA, LA1, LD, LH, LHB3, LHQ4, LJ, LJC7, LJG, LSJ4, LSK, LW2, LX, LXU, LX2, LX26, LX4, NDM4, NJ, NJC1, NJG, NSJ, PHM, PX, PXU, QAB3, QAX2, QA2, QA26, QBC2, QBT6, QCB2, QCL, QD, QE, QFE4, QGR2, QGR9, QH, QHE, QHP1, QHQ4, QH2, QH26, QI2, QKA4, QMC6, QMC8, QMD6, QME4, QMH, QMX2, QMZ2, QNT, QNT4, QNZ, QP, QPU, QSC2, QSC9, QS2, QWA4, QWX2, QX, QXC, QXC6, QXC9, QXE, QXE2, QXE4, QXE6, QXE8, QXF2, QXM1, QXS2, QXU, QXW, QX2, QX22, QX26, QX4, QX7, RD, RD4, RH, RHA2, RHQ4, RH2, RH26, RMB4, RMD, RMG2, RSK, RSS1, RTB2, RX, RXE, RXE2, RXE4, RXU, RX4, SCJ, SD, SDS, SD16, SD4, SE, SG24, SH, SHM, SHQ4, SHRY, SJ, SJC1, SJC5, SJG, SMC7, SMC9, SMJ, SMJ1, SMW2, SMX4, SM11, SM12, SM14, SSK1, SSS2, ST, STQ, SWX2, SWX4, SX, SXE, SXE4, SXS4, SXU, SX4, SX7, S1CY, TCS2, TX, TXC9, TXU, TX2, TX26, TX4, UXU, VA2, VEBM, VED, VED1, VED2, VED3, VED5, VED6, VEN2, VES, VGE4, VG24, VHA7, VHH4, VMS4, VMS7, VMT, VPM4, VPM5, VPM7, VPR4, VPR7, VSD, VSD1, VSD7, VSX, VSX1, VSX3, VS17, VTH4, VTU1, VWA2, VW12, VX, VXD, VXD1, VXE4, VXE7, VXM, VXU, VXU1, VXX2, VX2, VX4, WDA6, WJP, WKD6, WKT2, WKT4, WKT6, WMBO, WME2, WME4, WMT
					1	-	1052605 -----	HG12, SNX, SNX1
					-	(1)		
10	T		28442-ZH8-003	SPRING, RECOIL STARTER	1	-	-----	AR, ARC6, BL, EMA2, HH, HHQ4, HH26, HX, HXE2, HXE8, HXU, HX2, HX26, HX4, KR, KTA, LA1, LD, LH, LHB3, LHQ4, LJ, LJC7, LJG, LSJ4, LSK, LW2, LX, LXU, LX2, LX26, LX4, NDM4, NJ, NJC1, NJG, NSJ, PHM, PX, PXU, QAB3, QAX2, QA2, QA26, QBC2, QBT6, QCB2, QCL, QD, QE, QFE4, QGR2, QGR9, QH, QHE, QHP1, QHQ4, QH2, QH26, QI2, QKA4, QMC6, QMC8, QMD6, QME4, QMH, QMX2, QMZ2, QNT, QNT4, QNZ, QP, QPU, QSC2, QSC9, QS2, QWA4, QWX2, QX, QXC, QXC6, QXC9, QXE, QXE2, QXE4, QXE6, QXE8, QXF2, QXM1, QXS2, QXU, QXW, QX2, QX22, QX26, QX4, QX7, RD, RD4, RH, RHA2, RHQ4, RH2, RH26, RMB4, RMD, RMG2, RSK, RSS1, RTB2, RX, RXE, RXE2, RXE4, RXU, RX4, SCJ, SD, SDS, SD16, SD4, SE, SG24, SH, SHM, SHQ4, SHRY, SJ, SJC1, SJC5, SJG, SMC7, SMC9, SMJ, SMJ1, SMW2, SMX4, SM11, SM12, SM14, SSK1, SSS2, ST, STQ, SWX2, SWX4, SX, SXE, SXE4, SXS4, SXU, SX4, SX7, S1CY, TCS2, TX, TXC9, TXU, TX2, TX26, TX4, UXU, VA2, VEBM, VED, VED1, VED2, VED3, VED5, VED6, VEN2, VES, VGE4, VG24, VHA7, VHH4, VMS4, VMS7, VMT, VPM4, VPM5, VPM7, VPR4, VPR7, VSD, VSD1, VSD7, VSX, VSX1, VSX3, VS17, VTH4, VTU1, VWA2, VW12, VX, VXD, VXD1, VXE4, VXE7, VXM, VXU, VXU1, VXX2, VX2, VX4, WDA6, WJP, WKD6, WKT2, WKT4, WKT6, WMBO, WME2, WME4, WMT
					1	-	1052605 -----	HG12, SNX, SNX1
					-	(1)		

NOTE A:PART NO. CHANGE D:NEWLY PROVIDED E:PART NO.DELETION K:REQUIRED NO. CORRECTION L:APPLICATION SERIAL NO. CORRECTION
T:APPLICATION CORRECTION Z:REMARKS CHANGE

PARTS CATALOGUE NEWS

BOOKNo. : 13Z2F401

Block No.	Ref. No.	Note	Part No.	Description	Reqd. QTY		Serial No.	Parts catalogue code
					GX 160K1 (1)	GX 160K1 (2)		
11	T		28443-ZH8-801	SPRING, RETURN	2	-	-----	AR, ARC6, BL, EMA2, HH, HHQ4, HH26, HX, HXE2, HXE8, HXU, HX2, HX26, HX4, KR, KTA, LA1, LD, LH, LHB3, LHQ4, LJ, LJC7, LJG, LSJ4, LSK, LW2, LX, LXU, LX2, LX26, LX4, NDM4, NJ, NJC1, NJG, NSJ, PHM, PX, PXU, QAB3, QAX2, QA2, QA26, QBC2, QBT6, QCB2, QCL, QD, QE, QFE4, QGR2, QGR9, QH, QHE, QHP1, QHQ4, QH2, QH26, QI2, QKA4, QMC6, QMC8, QMD6, QME4, QMH, QMX2, QMZ2, QNT, QNT4, QNZ, QP, QPU, QSC2, QSC9, QS2, QWA4, QWX2, QX, QXC, QXC6, QXC9, QXE, QXE2, QXE4, QXE6, QXE8, QXF2, QXM1, QXS2, QXU, QXW, QX2, QX22, QX26, QX4, QX7, RD, RD4, RH, RHA2, RHQ4, RH2, RH26, RMB4, RMD, RMG2, RSK, RSS1, RTB2, RX, RXE, RXE2, RXE4, RXU, RX4, SCJ, SD, SDS, SD16, SD4, SE, SG24, SH, SHM, SHQ4, SHRY, SJ, SJC1, SJC5, SJG, SMC7, SMC9, SMJ, SMJ1, SMW2, SMX4, SM11, SM12, SM14, SSK1, SSS2, ST, STQ, SWX2, SWX4, SX, SXE, SXE4, SXS4, SXU, SX4, SX7, S1CY, TCS2, TX, TXC9, TXU, TX2, TX26, TX4, UXU, VA2, VEBM, VED, VED1, VED2, VED3, VED5, VED6, VEN2, VES, VGE4, VG24, VHA7, VHH4, VMS4, VMS7, VMT, VPM4, VPM5, VPM7, VPR4, VPR7, VSD, VSD1, VSD7, VSX, VSX1, VSX3, VS17, VTH4, VTU1, VWA2, VW12, VX, VXD, VXD1, VXE4, VXE7, VXM, VXU, VXU1, VXW2, VX2, VX4, WDA6, WJP, WKD6, WKT2, WKT4, WKT6, WMBO, WME2, WME4, WMT
					2	-	1052605	HG12, SNX, SNX1
					-	(2)		
12	T		28461-ZH8-003	GRIP, STARTER	1	-	-----	AR, ARC6, BL, EMA2, HH, HHQ4, HH26, HX, HXE2, HXE8, HXU, HX2, HX26, HX4, KR, KTA, LA1, LD, LH, LHB3, LHQ4, LJ, LJC7, LJG, LSJ4, LSK, LW2, LX, LXU, LX2, LX26, LX4, NDM4, NJ, NJC1, NJG, NSJ, PHM, PX, PXU, QAB3, QAX2, QA2, QA26, QBC2, QBT6, QCB2, QCL, QD, QE, QFE4, QGR2, QGR9, QH, QHE, QHP1, QHQ4, QH2, QH26, QI2, QKA4, QMC6, QMC8, QMD6, QME4, QMH, QMX2, QMZ2, QNT, QNT4, QNZ, QP, QPU, QSC2, QSC9, QS2, QWA4, QWX2, QX, QXC, QXC6, QXC9, QXE, QXE2, QXE4, QXE6, QXE8, QXF2, QXM1, QXS2, QXU, QXW, QX2, QX22, QX26, QX4, QX7, RD, RD4, RH, RHA2, RHQ4, RH2, RH26, RMB4, RMD, RMG2, RSK, RSS1, RTB2, RX, RXE, RXE2, RXE4, RXU, RX4, SCJ, SD, SDS, SD16, SD4, SE, SG24, SH, SHM, SHQ4, SHRY, SJ, SJC1, SJC5, SJG, SMC7, SMC9, SMJ, SMJ1, SMW2, SMX4, SM11, SM12, SM14, SSK1, SSS2, ST, STQ, SWX2, SWX4, SX, SXE, SXE4, SXS4, SXU, SX4, SX7, S1CY, TCS2, TX, TXC9, TXU, TX2, TX26, TX4, UXU, VA2, VEBM, VED, VED1, VED2, VED3, VED5, VED6, VEN2, VES, VGE4, VG24, VHA7, VHH4, VMS4, VMS7, VMT, VPM4, VPM5, VPM7, VPR4, VPR7, VSD, VSD1, VSD7, VSX, VSX1, VSX3, VS17, VTH4, VTU1, VWA2, VW12, VX, VXD, VXD1, VXE4, VXE7, VXM, VXU, VXU1, VXW2, VX2, VX4, WDA6, WJP, WKD6, WKT2, WKT4, WKT6, WMBO, WME2, WME4, WMT
					1	-	1052605	HG12, SNX, SNX1
					-	(1)		

NOTE A:PART NO. CHANGE D:NEWLY PROVIDED E:PART NO.DELETION K:REQUIRED NO. CORRECTION L:APPLICATION SERIAL NO. CORRECTION
T:APPLICATION CORRECTION Z:REMARKS CHANGE

PARTS CATALOGUE NEWS

BOOKNo. : 13Z2F401

Block No.	Ref. No.	Note	Part No.	Description	Reqd. QTY		Serial No.	Parts catalogue code
					GX 160K1 (1)	GX 160K1 (2)		
13	T		28462-ZH8-003	ROPE, RECOIL STARTER	1	-	-----	AR, ARC6, BL, EMA2, HH, HHQ4, HH26, HX, HXE2, HXE8, HXU, HX2, HX26, HX4, KR, KTA, LA1, LD, LH, LHB3, LHQ4, LJ, LJC7, LJG, LSJ4, LSK, LW2, LX, LXU, LX2, LX26, LX4, NDM4, NJ, NJC1, NJG, NSJ, PHM, PX, PXU, QAB3, QAX2, QA2, QA26, QBC2, QBT6, QCB2, QCL, QD, QE, QFE4, QGR2, QGR9, QH, QHE, QHP1, QHQ4, QH2, QH26, QI2, QKA4, QMC6, QMC8, QMD6, QME4, QMH, QMX2, QMZ2, QNT, QNT4, QNZ, QP, QPU, QSC2, QS2, QWA4, QWX2, QX, QXC, QXC6, QXC9, QXE, QXE2, QXE4, QXE6, QXE8, QXF2, QXM1, QXS2, QXU, QXW, QX2, QX22, QX26, QX4, QX7, RD, RD4, RH, RHA2, RHQ4, RH2, RH26, RMB4, RMD, RMG2, RSK, RSS1, RTB2, RX, RXE, RXE2, RXE4, RXU, RX4, SCJ, SD, SDS, SD16, SD4, SE, SG24, SH, SHM, SHQ4, SHRY, SJ, SJC1, SJC5, SJG, SMC7, SMC9, SMJ, SMJ1, SMW2, SMX4, SM11, SM12, SM14, SSK1, SSS2, ST, STQ, SWX2, SWX4, SX, SXE, SXE4, SXS4, SXU, SX4, SX7, S1CY, TCS2, TX, TXC9, TXU, TX2, TX26, TX4, UXU, VA2, VEBM, VED, VED1, VED2, VED3, VED5, VED6, VEN2, VES, VGE4, VG24, VHA7, VHH4, VMS4, VMS7, VMT, VPM4, VPM5, VPM7, VPR4, VPR7, VSD, VSD1, VSD7, VSX, VSX1, VSX3, VS17, VTH4, VTU1, VWA2, VW12, VX, VXD, VXD1, VXE4, VXE7, VXM, VXU, VXU1, VXW2, VX2, VX4, WDA6, WJP, WKD6, WKT2, WKT4, WKT6, WMBO, WME2, WME4, WMT
					1	-	1052605 -----	HG12, SNX, SNX1
					-	(1)		
15	T		90003-ZH8-801	SCREW, SETTING	1	-	-----	AR, ARC6, BL, EMA2, HH, HHQ4, HH26, HX, HXE2, HXE8, HXU, HX2, HX26, HX4, KR, KTA, LA1, LD, LH, LHB3, LHQ4, LJ, LJC7, LJG, LSJ4, LSK, LW2, LX, LXU, LX2, LX26, LX4, NDM4, NJ, NJC1, NJG, NSJ, PHM, PX, PXU, QAB3, QAX2, QA2, QA26, QBC2, QBT6, QCB2, QCL, QD, QE, QFE4, QGR2, QGR9, QH, QHE, QHP1, QHQ4, QH2, QH26, QI2, QKA4, QMC6, QMC8, QMD6, QME4, QMH, QMX2, QMZ2, QNT, QNT4, QNZ, QP, QPU, QSC2, QSC9, QS2, QWA4, QWX2, QX, QXC, QXC6, QXC9, QXE, QXE2, QXE4, QXE6, QXE8, QXF2, QXM1, QXS2, QXU, QXW, QX2, QX22, QX26, QX4, QX7, RD, RD4, RH, RHA2, RHQ4, RH2, RH26, RMB4, RMD, RMG2, RSK, RSS1, RTB2, RX, RXE, RXE2, RXE4, RXU, RX4, SCJ, SD, SDS, SD16, SD4, SE, SG24, SH, SHM, SHQ4, SHRY, SJ, SJC1, SJC5, SJG, SMC7, SMC9, SMJ, SMJ1, SMW2, SMX4, SM11, SM12, SM14, SSK1, SSS2, ST, STQ, SWX2, SWX4, SX, SXE, SXE4, SXS4, SXU, SX4, SX7, S1CY, TCS2, TX, TXC9, TXU, TX2, TX26, TX4, UXU, VA2, VEBM, VED, VED1, VED2, VED3, VED5, VED6, VEN2, VES, VGE4, VG24, VHA7, VHH4, VMS4, VMS7, VMT, VPM4, VPM5, VPM7, VPR4, VPR7, VSD, VSD1, VSD7, VSX, VSX1, VSX3, VS17, VTH4, VTU1, VWA2, VW12, VX, VXD, VXD1, VXE4, VXE7, VXM, VXU, VXU1, VXW2, VX2, VX4, WDA6, WJP, WKD6, WKT2, WKT4, WKT6, WMBO, WME2, WME4, WMT
					1	-	1052605 -----	HG12, SNX, SNX1
					-	(1)		

NOTE A:PART NO. CHANGE D:NEWLY PROVIDED E:PART NO.DELETION K:REQUIRED NO. CORRECTION L:APPLICATION SERIAL NO. CORRECTION
T:APPLICATION CORRECTION Z:REMARKS CHANGE

PARTS CATALOGUE NEWS

BOOKNo. : 13Z2F401

Block No.	Ref. No.	Note	Part No.	Description	Reqd. QTY		Serial No.	Parts catalogue code
					GX 160K1 (1)	GX 160K1 (2)		
	16	T	90008-ZE2-003	BOLT, FLANGE, 6X10	3	-	-----	AR, ARC6, BL, EMA2, HH, HHQ4, HH26, HX, HXE2, HXE8, HXU, HX2, HX26, HX4, KR, KTA, LA1, LD, LH, LHB3, LHQ4, LJ, LJC7, LJG, LSJ4, LSK, LW2, LX, LXU, LX2, LX26, LX4, NDM4, NJ, NJC1, NJG, NSJ, PHM, PX, PXU, QAB3, QAX2, QA2, QA26, QBC2, QBT6, QCB2, QCL, QD, QE, QFE4, QGR2, QGR9, QH, QHE, QHP1, QHQ4, QH2, QH26, QI2, QKA4, QMC6, QMC8, QMD6, QME4, QMH, QMX2, QMZ2, QNT, QNT4, QNZ, QP, QPU, QSC2, QSC9, QS2, QWA4, QWX2, QX, QXC, QXC6, QXC9, QXE, QXE2, QXE4, QXE6, QXE8, QXF2, QXM1, QXS2, QXU, QXW, QX2, QX22, QX26, QX4, QX7, RD, RD4, RH, RHA2, RHQ4, RH2, RH26, RMB4, RMD, RMG2, RSK, RSS1, RTB2, RX, RXE, RXE2, RXE4, RXU, RX4, SCJ, SD, SDS, SD16, SD4, SE, SG24, SH, SHM, SHQ4, SHRY, SJ, SJC1, SJC5, SJG, SMC7, SMC9, SMJ, SMJ1, SMW2, SMX4, SM11, SM12, SM14, SSK1, SSX2, ST, STM, STQ, SWG4, SWX2, SWX4, SX, SXE, SXE4, SXS4, SXU, SX4, SX7, S1CY, TGS2, TX, TXC9, TXU, TX2, TX26, TX4, UXU, VA2, VEBM, VED, VED1, VED2, VED3, VED5, VED6, VEN2, VES, VGE4, VG24, VHA7, VHH4, VMS4, VMS7, VMT, VPM4, VPM5, VPM7, VPR4, VPR7, VSD, VSD1, VSD7, VS17, VTH4, VTU1, VWA2, VW12, VX, VXD, VXD1, VXE4, VXE7, VXM, VXU, VXU1, VXW2, VX2, VX4, WDA6, WJP, WKD6, WKT2, WKT4, WKT6, WMBO, WME2, WME4, WMT
					3	-	1052605 -----	HG12, SNX, SNX1
					-	(3)		
E-19	5	T	28451-ZH8-003	PULLEY, STARTER	1	-	-----	SKM, STM, SWG4, VSW3, VSW4, VSW5
					1	-	-----	1052604 HG12, SNX, SNX1
	6	L	28451-ZH8-801	PULLEY, STARTER	1	-	-----	AR, ARC6, BL, EMA2, HH, HHQ4, HH26, HX, HXE2, HXE8, HXU, HX2, HX26, HX4, KR, KTA, LA1, LD, LH, LHB3, LHQ4, LJ, LJC7, LJG, LSJ4, LW2, LX, LXU, LX2, LX26, LX4, NDM4, NJ, NJC1, NJG, NSJ, PHM, PX, PXU, QAB3, QAX2, QBT6, QCB2, QCL, QD, QGR2, QGR9, QH, QHE, QHQ4, QH2, QH26, QI2, QKA4, QMC6, QME4, QMH, QMX2, QMZ2, QNT, QNT4, QNZ, QP, QPU, QSC2, QSC9, QS2, QWX2, QX, QXC, QXC6, QXC9, QXE, QXE2, QXE4, QXE6, QXE8, QXF2, QXM1, QXS2, QXU, QXW, QX2, QX22, QX26, QX4, QX7, RD, RD4, RH, RHA2, RHQ4, RH2, RH26, RMB4, RMD, RMG2, RSK, RSS1, RTB2, RX, RXE, RXE2, RXE4, RXU, RX4, SCJ, SD, SDS, SD16, SD4, SH, SHM, SHQ4, SJ, SJC1, SJC5, SJG, SMJ, SMJ1, SMW2, SMX4, SM11, SM12, SM14, SNX1, SSK1, SSX2, ST, STQ, SWX2, SWX4, SX, SXE, SXE4, SXS4, SXU, SX4, SX7, S1CY, TGS2, TX, TXC9, TXU, TX2, TX26, TX4, UXU, VA2, VED, VED1, VED2, VED3, VED5, VED6, VEN2, VES, VGE4, VHA7, VHH4, VMS4, VMS7, VMT, VPM4, VPM5, VPM7, VPR4, VPR7, VSD, VSD1, VSD7, VSX, VSX1, VSX3, VS17, VTH4, VTU1, VWA2, VW12, VX, VXD, VXD1, VXE4, VXE7, VXM, VXU, VXU1, VXW2, VX2, VX4, WDA6, WJP, WKD6, WKT2, WKT4, WKT6, WMBO, WME2, WME4, WMT
					1	-	1052605 -----	HG12, SNX, SNX1
					-	(1)		

NOTE A:PART NO. CHANGE D:NEWLY PROVIDED E:PART NO.DELETION K:REQUIRED NO. CORRECTION L:APPLICATION SERIAL NO. CORRECTION
T:APPLICATION CORRECTION Z:REMARKS CHANGE



PARTS CATALOGUE NEWS

Honda Motor Co., Ltd. Service Division

Printed in Japan

CODE NO.	BOOKLET TYPE	13Z2F401
	MICRO-FICHE	13Z2F4EA/FA
PARTS CATALOGUE NEWS	GX160K1 [GCAAK-100]	
NEWS NO.	009	

GX160K1-HB24 TYPE sales parts information

NOTE: This Parts Catalogue News explains only the parts of the different model that are produced to conform to addition of the GX160K1-HB24 type.

As for the parts not listed on this Parts List News, use the parts of the GX160K1-HX2 type.

Model	Type		Parts catalogue type	Applicable engine serial No.	Applicable carburetor identification No.
GX160K1	HX2	Base model	HX2	GCAAK-1000001~	BE65B B
	HB24	Additional model	HB24		

NOTE A:PART NO. CHANGE D:NEWLY PROVIDED E:PART NO. DELETION K:REQUIRED NO. CORRECTION L:APPLICATION SERIAL NO. CORRECTION
T:APPLICATION CORRECTION Z:REMARKS CHANGE

PARTS CATALOGUE NEWS

BOOKNo. : 13Z2F401

Block No.	Ref. No.	Part No.	Description	Reqd. QTY		Base Part No.	Parts catalogue code
				GX 160K1 (1)	GX 160K1 (2)		
E-2	15	98079-55846	PLUG, SPARK (BPR5ES) (NGK)	(1)	-	98079-55846	
		98079-55855	PLUG, SPARK (W16EPR-U) (DENSO)	(1)	-	98079-55855	
E-11-3	1		STARTER ASSY., RECOIL *R280*..... POWER RED	0	-	28400-ZH8-023YA	
		4	CASE COMP., RECOIL STARTER *R280*..... POWER RED	0	-	28410-ZH8-003YA	
E-12	2		COVER COMP., FAN *R280*..... POWER RED	0	-	19610-ZE1-000ZP	
		15	SWITCH ASSY., ENGINE STOP	0	-	36100-ZH7-003	
	17	36100-ZF6-P81	SWITCH ASSY., ENGINE STOP	1	-		
E-16	1	17233-896-701	COLLAR, AIR CLEANER CASE	(2)	-		
	11	18433-ZH8-W40	COVER COMP., MUFFLER	(1)	-		
	12	18434-ZH8-W40	COVER COMP., MUFFLER RR.	(1)	-		
	13	18436-ZH8-W40	BASE COMP., MUFFLER COVER	(1)	-		
	14	18466-ZH8-W40	SPACER, MUFFLER COVER	(3)	-		
	20	90050-ZE1-000	SCREW, TAPPING, 5X8	(1)	-		
	21	90050-ZH8-W40	SCREW, TAPPING, 5X25	(2)	-		
	25	90302-KF9-900	NUT, HEX., 5MM	(3)	-		
	26	93891-06020-07	SCREW-WASHER, 6X20	(3)	-		
28	94103-05700	WASHER, PLAIN, 5MM	(3)	-			
E-17	17		TANK COMP., FUEL *NH31*..... MCKINLEY WHITE	0	-	17510-ZE1-020ZA	
E-20	1	30500-ZE1-053	COIL ASSY., IGNITION	1	-	30500-ZE1-043	
E-22	20	16599-ZG1-M10	COLLAR, STOPPER	(1)	-		
	25	90016-ZG9-N30	SCREW, RECESSED, 5X25	(1)	-		
E-28	7		LABEL, CAUTION	0	-	87522-ZH9-010	

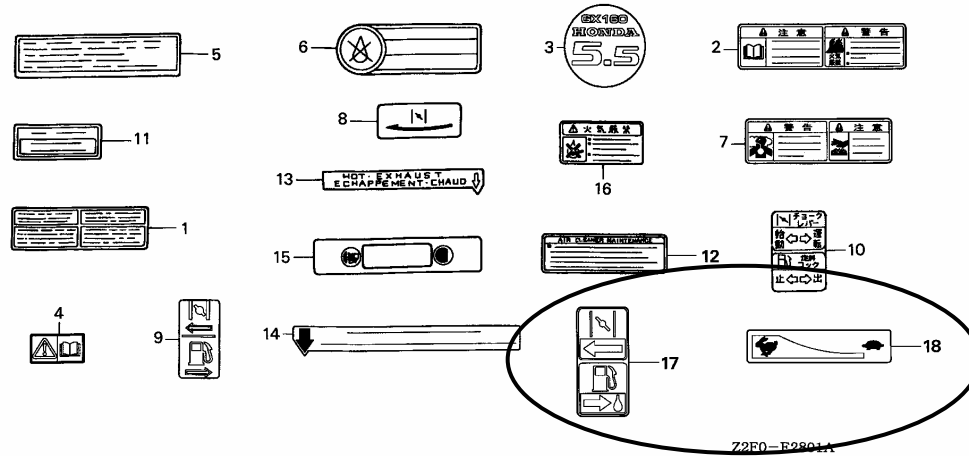
NOTE A:PART NO. CHANGE D:NEWLY PROVIDED E:PART NO.DELETION K:REQUIRED NO. CORRECTION L:APPLICATION SERIAL NO. CORRECTION
T:APPLICATION CORRECTION Z:REMARKS CHANGE

PARTS CATALOGUE NEWS

BOOKNo. : 13Z2F401

Block No.	Ref. No.	Part No.	Description	Reqd. QTY		Base Part No.	Parts catalogue code
				GX 160K1 (1)	GX 160K1 (2)		
	12		MARK, CHOKE	0	-	87528-ZE1-810	
	15		MARK, OIL ALERT (EXTERNAL) ...	0	-	87532-ZH8-810	

E-28-1 LABEL (2)



E-28-1	4	87522-ZH8-W41	MARK, CAUTION	1	-		
	5	87522-ZH9-010	LABEL, CAUTION	1	-		
	9	87528-ZE1-810	MARK, CHOKE	1	-		
	11	87532-ZH8-810	MARK, OIL ALERT (EXTERNAL) ...	1	-		
	17	87528-733-E91	MARK, CHOKE (H=34)	1	-		
	18	87532-ZH8-W40	MARK, THROTTLE INDICATION	1	-		

NOTE A:PART NO. CHANGE D:NEWLY PROVIDED E:PART NO.DELETION K:REQUIRED NO. CORRECTION L:APPLICATION SERIAL NO. CORRECTION
T:APPLICATION CORRECTION Z:REMARKS CHANGE



PARTS CATALOGUE NEWS

Honda Motor Co., Ltd. Service Division

PARTS CATALOGUE - CORRECTED

Printed in Japan

CODE NO.	BOOKLET TYPE	13Z2F401
	MICRO-FICHE	13Z2F4EA/FA
PARTS CATALOGUE NEWS	GX160K1 [GCAAK-100]	
NEWS NO.	010	

Block No.	Ref. No.	Note	Part No.	Description	Reqd. QTY		Serial No.	Parts catalogue code
					GX 160K1 (1)	GX 160K1 (2)		
E-20	1	L	30500-ZE1-043	COIL ASSY., IGNITION	1	-	----- 1049706	AR, ARC6, BL, EMA2, HG12, HH, HHQ4, HH26, HX, HXE2, HXE8, HXU, HX2 HX26, HX4, KR, KTA, LA1, LD, LH, LHB3, LHQ4, LJ, LJC7, LJG, LJS, LSJ4 LSK, LVL, LW2, LX, LXU, LX2, LX26, LX4, NDM4, NJ, NJC1, NJG, NSJ, PHM PX, PXU, QAB3, QAX2, QA2, QA26, QBC2, QBT6, QCB2, QCL, QD, QE, QFE4 QGR2, QGR9, QH, QHE, QHP1, QHQ4, QH2, QH26, Q12, QKA4, QMC6, QMC8 QMD6, QME4, QMH, QMX2, QMZ2, QNT, QNT4, QNZ, QP, QPU, QSC2, QSC9, QS2 QT, QVL, QWA4, QWX2, QX, QXC, QXC6, QXC9, QXE, QXE2, QXE4, QXE6, QXE8 QXF2, QXM1, QXS2, QXU, QXW, QX2, QX22, QX26, QX4, QX7, RD, RD4, RH RHA2, RHQ4, RH2, RH26, RMB4, RMD, RMG2, RSK, RSS1, RTB2, RX, RXE RXE2, RXE4, RXU, RX4, SCJ, SD, SDS, SD16, SD4, SE, SG24, SH, SHM, SHQ4 SHRY, SJ, SJC1, SJC5, SJG, SKM, SMC7, SMC9, SMJ, SMJ1, SMW2, SMX4 SM11, SM12, SM14, SNX, SNX1, SSK1, SSX2, ST, STM, STQ, SWG4, SWX2 SWX4, SX, SXE, SXE4, SXS4, SXU, SX4, SX7, S1CY, TCS2, TX, TXC9, TXU TX2, TX26, TX4, UXU, VA2, VEBM, VED, VED1, VED2, VED3, VED5, VED6 VEN2, VES, VGE4, VG24, VHA7, VHH4, VMS4, VMS7, VMT, VPM4, VPM5, VPM7 VPR4, VPR7, VSB1, VSD, VSD1, VSD7, VSG, VSW3, VSW4, VSW5, VSX, VSX1 VSX3, VS17, VS3, VS4, VTH4, VTU1, VWA2, VW12, VX, VXD, VXD1, VXE4 VXE7, VXM, VXU, VXU1, VXW2, VX2, VX4, WDA6, WJP, WKD6, WKT2, WKT4 WKT6, WMBO, WME2, WME4, WMT
					-	(1)	----- 1049706	
	T		30500-ZE1-053	1	-	-----	HB24

NOTE A:PART NO. CHANGE D:NEWLY PROVIDED E:PART NO.DELETION K:REQUIRED NO. CORRECTION L:APPLICATION SERIAL NO. CORRECTION
T:APPLICATION CORRECTION Z:REMARKS CHANGE

PARTS CATALOGUE NEWS

BOOKNo. : 13Z2F401

Block No.	Ref. No.	Note	Part No.	Description	Reqd. QTY		Serial No.	Parts catalogue code
					GX 160K1 (1)	GX 160K1 (2)		
					1	-	1049707 -----	AR, ARC6, BL, EMA2, HG12, HH, HHQ4, HH26, HX, HXE2, HXE8, HXU, HX2 HX26, HX4, KR, KTA, LA1, LD, LH, LHB3, LHQ4, LJ, LJC7, LJG, LJS, LSJ4 LSK, LVL, LW2, LX, LXU, LX2, LX26, LX4, NDM4, NJ, NJC1, NJG, NSJ, PHM PX, PXU, QAB3, QAX2, QA2, QA26, QBC2, QBT6, QCB2, QCL, QD, QE, QFE4 QGR2, QGR9, QH, QHE, QHP1, QHQ4, QH2, QH26, QI2, QKA4, QMC6, QMC8 QMD6, QME4, QMH, QMX2, QMZ2, QNT, QNT4, QNZ, QP, QPU, QSG2, QSC9, QS2 QT, QVL, QWA4, QWX2, QX, QXC, QXC6, QXC9, QXE, QXE2, QXE4, QXE6, QXE8 QXF2, QXM1, QXS2, QXU, QXW, QX2, QX22, QX26, QX4, QX7, RD, RD4, RH RHA2, RHQ4, RH2, RH26, RMB4, RMD, RMG2, RSK, RSS1, RTB2, RX, RXE RXE2, RXE4, RXU, RX4, SCJ, SD, SDS, SD16, SD4, SE, SG24, SH, SHM, SHQ4 SHRY, SJ, SJC1, SJC5, SJG, SKM, SMC7, SMC9, SMJ, SMJ1, SMW2, SMX4 SM11, SM12, SM14, SNX, SNX1, SSK1, SSX2, ST, STM, STQ, SWG4, SWX2 SWX4, SX, SXE, SXE4, SXS4, SXU, SX4, SX7, S1CY, TGS2, TX, TXC9, TXU TX2, TX26, TX4, UXU, VA2, VEBM, VED, VED1, VED2, VED3, VED5, VED6 VEN2, VES, VGE4, VG24, VHA7, VHH4, VMS4, VMS7, VMT, VPM4, VPM5, VPM7 VPR4, VPR7, VSB1, VSD, VSD1, VSD7, VSG, VSW3, VSW4, VSW5, VSX, VSX1 VSX3, VS17, VS3, VS4, VTH4, VTU1, VWA2, VW12, VX, VXD, VXD1, VXE4 VXE7, VXM, VXU, VXU1, VXW2, VX2, VX4, WDA6, WJP, WKD6, WKT2, WKT4 WK6, WMB0, WME2, WME4, WMT
					-	(1)	1049707	

NOTE A:PART NO. CHANGE D:NEWLY PROVIDED E:PART NO.DELETION K:REQUIRED NO. CORRECTION L:APPLICATION SERIAL NO. CORRECTION
T:APPLICATION CORRECTION Z:REMARKS CHANGE



PARTS CATALOGUE NEWS

Honda Motor Co., Ltd. Service Division

PARTS CATALOGUE - CORRECTED

Printed in Japan

CODE NO.	BOOKLET TYPE	13Z2F401
	MICRO- FICHE	13Z2F4EA/FA
PARTS CATALOGUE TITLE	GX160K1 [GCAAK-100]	
NEWS NO.	011	

Block No.	Ref. No.	Note	Part No.	Description	Reqd. QTY		Serial No.	Parts catalogue code
					GX 160K1 (1)	GX 160K1 (2)		
E-12	15		36100-ZH7-003	SWITCH ASSY., ENGINE STOP	1	-	-----	EMA2, HG12, HX, HXU, HX2, HX26, LA1, LJC7, LX, LXU, LX2, LX26, PX, PXU QAX2, QBT6, QCL, QGR2, QGR9, Q12, QMH, QMX2, QS2, QWX2, QX, QXC, QXC6 QXC9, QXF2, QXM1, QXS2, QXU, QX2, QX22, QX26, RX, RXU, SJC1, SJC5 SMJ, SMJ1, SMW2, SM12, SSS2, SX, SXU, TCS2, TX, TXC9, TXU, TX2, TX26 UXU, VA2, VEBM, VED1, VED5, VED6, VMT, VSX, VSX1, VSX3, VTU1, VWA2 VW12, VX, VXD, VXD1, VXM, VXU, VXU1, VXW2, VX2, WKD6, WKT2, WKT6 WME2, WMT
					1	-	-----	1061811 SWX2
					-	(1)		
	A		36100-ZF6-P81	1	-	1061812	----- SWX2

NOTE A:PART NO. CHANGE D:NEWLY PROVIDED E:PART NO. DELETION K:REQUIRED NO. CORRECTION L:APPLICATION SERIAL NO. CORRECTION
T:APPLICATION CORRECTION Z:REMARKS CHANGE

PARTS CATALOGUE NEWS

BOOKNo. : 13Z2F401

Block No.	Ref. No.	Note	Part No.	Description	Reqd. QTY		Serial No.	Parts catalogue code
					GX 160K1 (1)	GX 160K1 (2)		
	23	T	90022-888-010	BOLT, FLANGE, 6X20(CT200)	1	-	-----	AR, ARC6, BL, EMA2, HB24, HG12, HH, HHQ4, HH26, HX, HXU, HX2, HX26, HX4, KR, KTA, LA1, LD, LH, LHB3, LHQ4, LJ, LJC7, LJG, LJS, LSJ4, LSK, LVL, LW2, LX, LXU, LX2, LX26, LX4, NDM4, NJ, NJC1, NJG, NSJ, PHM, PX, PXU, QAB3, QAX2, QA2, QA26, QBC2, QBT6, QCB2, QCL, QD, QE, QFE4, QGR2, QGR9, QH, QHP1, QHQ4, QH2, QH26, Q12, QMC6, QMC8, QMD6, QME4, QMH, QMX2, QMZ2, QNT, QNT4, QP, QPU, QSC9, QS2, QT, QVL, QWA4, QWX2, QX, QXC, QXC6, QXC9, QXF2, QXM1, QXS2, QXU, QX2, QX22, QX26, QX4, QX7, RD, RD4, RH, RHA2, RHQ4, RH2, RH26, RMB4, RMD, RMG2, RSK, RSS1, RTB2, RX, RXU, RX4, SCJ, SD, SDS, SD16, SD4, SE, SG24, SH, SHM, SHQ4, SHRY, SJ, SJC1, SJC5, SJG, SMC7, SMC9, SMJ, SMJ1, SMW2, SMX4, SM11, SM12, SM14, SNX, SSK1, SSSX2, STQ, SWX2, SWX4, SX, SXS4, SXU, SX4, SX7, S1CY, TCS2, TX, TXC9, TXU, TX2, TX26, TX4, UXU, VA2, VEBM, VED, VED1, VED2, VED3, VED5, VED6, VEN2, VES, VGE4, VG24, VHA7, VHH4, VMS4, VMS7, VMT, VPM4, VPM5, VPM7, VPR4, VPR7, VSB1, VSD, VSD1, VSD7, VSG, VSW3, VSW4, VSW5, VSX, VSX1, VSX3, VS17, VS3, VS4, VTU1, VWA2, VW12, VX, VXD, VXD1, VXM, VXU, VXU1, VXW2, VX2, VX4, WDA6, WJP, WKD6, WKT2, WKT4, WKT6, WMBO, WME2, WME4, WMT
		T	90121-952-000	BOLT, FLANGE, 6X25(CT200)	1	-	-----	HXE2, HXE8, QHE, QKA4, QNZ, QSC2, QXE, QXE2, QXE4, QXE6, QXE8, QXW, RXE, RXE2, RXE4, SKM, SNX1, ST, STM, SWG4, SXE, SXE4, VTH4, VXE4, VXE7
					-	1		
E-16	1	T	17233-896-701	COLLAR, AIR CLEANER CASE	(2)	-	-----	HB24, HHQ4, HX4, LHQ4, LSJ4, LX4, NDM4, QE, QFE4, QHQ4, QKA4, QMC6, QMC8, QMD6, QME4, QNT, QNT4, QWA4, QXE4, QXW, QX4, QX7, RD4, RHQ4, RMB4, RSK, RXE4, RX4, SDS, SD4, SE, SG24, SHQ4, SMC7, SMC9, SMX4, SM14, SWG4, SWX2, SXE4, SXS4, SX4, SX7, S1CY, TX4, VG24, VHA7, VHH4, VMS4, VMS7, VSD, VSD7, VXE4, VXE7, VX4, WDA6, WKT4, WMBO
	11	T	18433-ZH8-W40	COVER COMP., MUFFLER	(1)	-	-----	HB24, HHQ4, HX4, LHQ4, LSJ4, LX4, NDM4, QE, QFE4, QHQ4, QKA4, QMC6, QMC8, QMD6, QME4, QNT, QNT4, QWA4, QXE4, QXW, QX4, QX7, RD4, RHQ4, RMB4, RSK, RXE4, RX4, SDS, SD4, SE, SG24, SHQ4, SMC7, SMC9, SMX4, SM14, SWG4, SWX2, SXE4, SXS4, SX4, SX7, S1CY, TX4, VG24, VHA7, VHH4, VMS4, VMS7, VSD, VSD7, VXE4, VXE7, VX4, WDA6, WKT4, WMBO
	12	T	18434-ZH8-W40	COVER COMP., MUFFLER RR.	(1)	-	-----	HB24, HHQ4, HX4, LHQ4, LSJ4, LX4, NDM4, QE, QFE4, QHQ4, QKA4, QMC6, QMC8, QMD6, QME4, QNT, QNT4, QWA4, QXE4, QXW, QX4, QX7, RD4, RHQ4, RMB4, RSK, RXE4, RX4, SDS, SD4, SE, SG24, SHQ4, SMC7, SMC9, SMX4, SM14, SWG4, SWX2, SXE4, SXS4, SX4, SX7, S1CY, TX4, VG24, VHA7, VHH4, VMS4, VMS7, VSD, VSD7, VXE4, VXE7, VX4, WDA6, WKT4, WMBO
	13	T	18436-ZH8-W40	BASE COMP., MUFFLER COVER	(1)	-	-----	HB24, HHQ4, HX4, LHQ4, LSJ4, LX4, NDM4, QE, QFE4, QHQ4, QKA4, QMC6, QMC8, QMD6, QME4, QNT, QNT4, QWA4, QXE4, QXW, QX4, QX7, RD4, RHQ4, RMB4, RSK, RXE4, RX4, SDS, SD4, SE, SG24, SHQ4, SMC7, SMC9, SMX4, SM14, SWG4, SWX2, SXE4, SXS4, SX4, SX7, S1CY, TX4, VG24, VHA7, VHH4, VMS4, VMS7, VSD, VSD7, VXE4, VXE7, VX4, WDA6, WKT4, WMBO

NOTE A:PART NO.CHANGE D:NEWLY PROVIDED E:PART NO.DELETION K:REQUIRED NO. CORRECTION L:APPLICATION SERIAL NO. CORRECTION
T:APPLICATION CORRECTION Z:REMARKS CHANGE

PARTS CATALOGUE NEWS

BOOKNo. : 13Z2F401

Block No.	Ref. No.	Note	Part No.	Description	Reqd. QTY		Serial No.	Parts catalogue code	
					GX 160K1 (1)	GX 160K1 (2)			
	14	T	18466-ZH8-W40	SPACER, MUFFLER COVER	(3)	-	-----	-----	HB24, HHQ4, HX4, LHQ4, LSJ4, LX4, NDM4, QE, QFE4, QHQ4, QKA4, QMC6 QMC8, QMD6, QME4, QNT, QNT4, QWA4, QXE4, QXW, QX4, QX7, RD4, RHQ4 RMB4, RSK, RXE4, RX4, SDS, SD4, SE, SG24, SHQ4, SMC7, SMC9, SMX4 SM14, SWG4, SWX2, SXE4, SXS4, SX4, SX7, S1CY, TX4, VG24, VHA7, VHH4 VMS4, VMS7, VSD, VSD7, VXE4, VXE7, VX4, WDA6, WKT4, WMBO
	20	T	90050-ZE1-000	SCREW, TAPPING, 5X8	(1)	-	-----	-----	HB24, HHQ4, HX4, LHQ4, LSJ4, LX4, NDM4, QE, QFE4, QHQ4, QKA4, QMC6 QMC8, QMD6, QME4, QNT, QNT4, QWA4, QXE4, QXW, QX4, QX7, RD4, RHQ4 RMB4, RSK, RXE4, RX4, SDS, SD4, SE, SG24, SHQ4, SMC7, SMC9, SMX4 SM14, SWG4, SWX2, SXE4, SXS4, SX4, SX7, S1CY, TX4, VG24, VHA7, VHH4 VMS4, VMS7, VSD, VSD7, VXE4, VXE7, VX4, WDA6, WKT4, WMBO
	21	T	90050-ZH8-W40	SCREW, TAPPING, 5X25	(2)	-	-----	-----	HB24, HHQ4, HX4, LHQ4, LSJ4, LX4, NDM4, QE, QFE4, QHQ4, QKA4, QMC6 QMC8, QMD6, QME4, QNT, QNT4, QWA4, QXE4, QXW, QX4, QX7, RD4, RHQ4 RMB4, RSK, RXE4, RX4, SDS, SD4, SE, SG24, SHQ4, SMC7, SMC9, SMX4 SM14, SWG4, SWX2, SXE4, SXS4, SX4, SX7, S1CY, TX4, VG24, VHA7, VHH4 VMS4, VMS7, VSD, VSD7, VXE4, VXE7, VX4, WDA6, WKT4, WMBO
	25	T	90302-KF9-900	NUT, HEX., 5MM	(3)	-	-----	-----	HB24, HHQ4, HX4, LHQ4, LSJ4, LX4, NDM4, QE, QFE4, QHQ4, QKA4, QMC6 QMC8, QMD6, QME4, QNT, QNT4, QWA4, QXE4, QXW, QX4, QX7, RD4, RHQ4 RMB4, RSK, RXE4, RX4, SDS, SD4, SE, SG24, SHQ4, SMC7, SMC9, SMX4 SM14, SWG4, SWX2, SXE4, SXS4, SX4, SX7, S1CY, TX4, VG24, VHA7, VHH4 VMS4, VMS7, VSD, VSD7, VXE4, VXE7, VX4, WDA6, WKT4, WMBO
	26	T	93891-06020-07	SCREW-WASHER, 6X20	(3)	-	-----	-----	HB24, HHQ4, HX4, LHQ4, LSJ4, LX4, NDM4, QE, QFE4, QHQ4, QKA4, QMC6 QMC8, QMD6, QME4, QNT, QNT4, QWA4, QXE4, QXW, QX4, QX7, RD4, RHQ4 RMB4, RSK, RXE4, RX4, SDS, SD4, SE, SG24, SHQ4, SMC7, SMC9, SMX4 SM14, SWG4, SWX2, SXE4, SXS4, SX4, SX7, S1CY, TX4, VG24, VHA7, VHH4 VMS4, VMS7, VSD, VSD7, VXE4, VXE7, VX4, WDA6, WKT4, WMBO
	28	T	94103-05700	WASHER, PLAIN, 5MM	(3)	-	-----	-----	HB24, HHQ4, HX4, LHQ4, LSJ4, LX4, NDM4, QE, QFE4, QHQ4, QKA4, QMC6 QMC8, QMD6, QME4, QNT, QNT4, QWA4, QXE4, QXW, QX4, QX7, RD4, RHQ4 RMB4, RSK, RXE4, RX4, SDS, SD4, SE, SG24, SHQ4, SMC7, SMC9, SMX4 SM14, SWG4, SWX2, SXE4, SXS4, SX4, SX7, S1CY, TX4, VG24, VHA7, VHH4 VMS4, VMS7, VSD, VSD7, VXE4, VXE7, VX4, WDA6, WKT4, WMBO

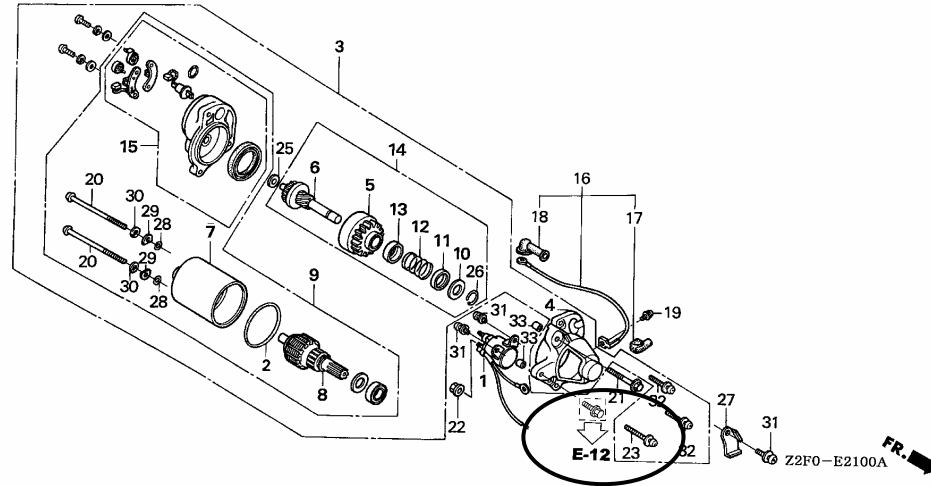
NOTE A:PART NO. CHANGE D:NEWLY PROVIDED E:PART NO.DELETION K:REQUIRED NO. CORRECTION L:APPLICATION SERIAL NO. CORRECTION
T:APPLICATION CORRECTION Z:REMARKS CHANGE

PARTS CATALOGUE NEWS

BOOKNo. : 13Z2F401

Block No.	Ref. No.	Note	Part No.	Description	Reqd. QTY		Serial No.	Parts catalogue code
					GX 160K1 (1)	GX 160K1 (2)		

E-21 STARTER MOTOR



E-21	24	E	90121-952-000	*PARTS NO. DELETION					
E-22	20	T	16599-ZG1-M10	COLLAR, STOPPER	(1)	-	-----	-----	HB24, HHQ4, HX4, LHQ4, LSJ4, LX4, NDM4, QE, QFE4, QHQ4, QKA4, QMC6 QMC8, QMD6, QME4, QNT, QNT4, QWA4, QXE4, QXW, QX4, QX7, RD4, RHQ4 RMB4, RSK, RXE4, RX4, SDS, SD4, SE, SG24, SHQ4, SMC7, SMC9, SMX4 SM14, SWG4, SWX2, SXE4, SXS4, SX4, SX7, S1CY, TX4, VGE4, VG24, VHA7 VHH4, VMS4, VMS7, VPM4, VPM5, VPM7, VPR4, VPR7, VSD, VSD1, VSD7 VSW4, VS17, VTH4, VXE4, VXE7, VX4, WKT4, WMBO
	25	T	90016-ZG9-N30	SCREW, RECESSED, 5X25	(1)	-	-----	-----	HB24, HHQ4, HX4, LHQ4, LSJ4, LX4, NDM4, QE, QFE4, QHQ4, QKA4, QMC6 QMC8, QMD6, QME4, QNT, QNT4, QWA4, QXE4, QXW, QX4, QX7, RD4, RHQ4 RMB4, RSK, RXE4, RX4, SDS, SD4, SE, SG24, SHQ4, SMC7, SMC9, SMX4 SM14, SWG4, SWX2, SXE4, SXS4, SX4, SX7, S1CY, TX4, VGE4, VG24, VHA7 VHH4, VMS4, VMS7, VPM4, VPM5, VPM7, VPR4, VPR7, VSD, VSD1, VSD7 VSW4, VS17, VTH4, VXE4, VXE7, VX4, WKT4, WMBO
E-28	7	T	87522-ZH8-W41	MARK, CAUTION	1	-	-----	-----	HHQ4, HX4, LHQ4, LSJ4, LX4, NDM4, QE, QFE4, QHQ4, QKA4, QMC6, QMC8 QMD6, QME4, QNT, QNT4, QPU, QXE4, QXW, QX4, RD4, RHQ4, RMB4, RSK RXE4, RX4, SDS, SD4, SE, SHQ4, SHRY, SMC7, SMC9, SMX4, SM14, SWG4 SWX4, SXE4, SXS4, SX4, S1CY, TX4, VMS4, VSD, VTH4, VXE4, VX4, WKT4 WMBO, WME4
					1	-	1061812	-----	SWX2

NOTE A:PART NO. CHANGE D:NEWLY PROVIDED E:PART NO.DELETION K:REQUIRED NO. CORRECTION L:APPLICATION SERIAL NO. CORRECTION
T:APPLICATION CORRECTION Z:REMARKS CHANGE

PARTS CATALOGUE NEWS

BOOKNo. : 13Z2F401

Block No.	Ref. No.	Note	Part No.	Description	Reqd. QTY		Serial No.	Parts catalogue code
					GX 160K1 (1)	GX 160K1 (2)		
	12	T	87528-733-E91	MARK, CHOKE (H=34)	1	-	-----	HHQ4, HX4, LHQ4, LSJ4, LX4, NDM4, QBC2, QE, QFE4, QHQ4, QKA4, QMC6, QMC8, QMD6, QME4, QNT, QNT4, QPU, QWA4, QXE4, QX4, QX7, RD4, RHQ4, RMB4, RSK, RXE4, RX4, SDS, SD4, SE, SG24, SHQ4, SHRY, SMC7, SMC9, SMX4, SM14, SWX4, SXE4, SXS4, SX4, SX7, S1CY, TX4, VG24, VHA7, VHH4, VMS4, VMS7, VSD, VSD7, VXE4, VXE7, VX4, WKT4, WMBO, WME4
					1	-	1061812	SWX2
	14	T	87532-ZH8-W40	MARK, THROTTLE INDICATION	1	-	-----	HHQ4, HX4, LHQ4, LSJ4, LX4, NDM4, QBC2, QE, QFE4, QHQ4, QKA4, QMC6, QMC8, QMD6, QME4, QNT, QNT4, QPU, QWA4, QXE4, QXW, QX4, QX7, RD4, RHQ4, RMB4, RSK, RXE4, RX4, SDS, SD4, SE, SG24, SHQ4, SMC7, SMC9, SMX4, SM14, SWG4, SWX4, SXE4, SXS4, SX4, SX7, S1CY, TX4, VG24, VXE4, VXE7, VX4, WKT4, WMBO, WME4
					1	-	1061812	SWX2

NOTE A:PART NO. CHANGE D:NEWLY PROVIDED E:PART NO.DELETION K:REQUIRED NO. CORRECTION L:APPLICATION SERIAL NO. CORRECTION
T:APPLICATION CORRECTION Z:REMARKS CHANGE



PARTS CATALOGUE NEWS

Honda Motor Co., Ltd. Service Division

PARTS CATALOGUE - CORRECTED

Printed in Japan

CODE NO.	BOOKLET TYPE	13Z2F401
	MICRO- FICHE	13Z2F4EA/FA
PARTS CATALOGUE TITLE	GX160K1 [GCAAK-100]	
NEWS NO.	012	

Block No.	Ref. No.	Note	Part No.	Description	Reqd. QTY		Serial No.	Parts catalogue code
					GX 160K1 (1)	GX 160K1 (2)		
E-20	1		30500-ZE1-053	COIL ASSY., IGNITION	1	-	----- 1067684	HB24
					1	-	1049707 1067684	AR, ARC6, BL, EMA2, HG12, HH, HHQ4, HH26, HX, HXE2, HXE8, HXU, HX2, HX26, HX4, KR, KTA, LA1, LD, LH, LHB3, LHQ4, LJ, LJC7, LJG, LJS, LSJ4, LSK, LVL, LW2, LX, LXU, LX2, LX26, LX4, NDM4, NJ, NJC1, NJG, NSJ, PHM, PX, PXU, QAB3, QAX2, QA2, QA26, QBC2, QBT6, QCB2, QCL, QD, QE, QFE4, QGR2, QGR9, QH, QHE, QHP1, QHQ4, QH2, QH26, QI2, QKA4, QMC6, QMC8, QMD6, QME4, QMH, QMX2, QM22, QNT, QNT4, QNZ, QP, QPU, QSC2, QSC9, QS2, QT, QVL, QWA4, QWX2, QX, QXC, QXC6, QXC9, QXE, QXE2, QXE4, QXE6, QXE8, QXF2, QXM1, QXS2, QXU, QXW, QX2, QX22, QX26, QX4, QX7, RD, RD4, RH, RHA2, RHQ4, RH2, RH26, RMB4, RMD, RMG2, RSK, RSS1, RTB2, RX, RXE, RXE2, RXE4, RXU, RX4, SCJ, SD, SDS, SD16, SD4, SE, SG24, SH, SHM, SHQ4, SHRY, SJ, SJC1, SJC5, SJG, SKM, SMC7, SMC9, SMJ, SMJ1, SMW2, SMX4, SM11, SM12, SM14, SNX, SNX1, SSK1, SSX2, ST, STM, STQ, SWG4, SWX2, SWX4, SX, SXE, SXE4, SXS4, SXU, SX4, SX7, S1CY, TCS2, TX, TXC9, TXU, TX2, TX26, TX4, UXU, VA2, VEBM, VED, VED1, VED2, VED3, VED5, VED6, VEN2, VES, VGE4, VG24, VHA7, VHH4, VMS4, VMS7, VMT, VPM4, VPM5, VPM7, VPR4, VPR7, VSB1, VSD, VSD1, VSD7, VSG, VSW3, VSW4, VSW5, VSX, VSX1, VSX3, VS17, VS3, VS4, VTH4, VTU1, VWA2, VW12, VX, VXD, VXD1, VXE4, VXE7, VXM, VXU, VXU1, VXW2, VX2, VX4, WDA6, WJP, WKD6, WKT2, WKT4, WKT6, WMBO, WME2, WME4, WMT
					-	(1)	1049707 1067684	
		A	30500-ZE1-063	1	(1)	1067685	

NOTE A:PART NO. CHANGE D:NEWLY PROVIDED E:PART NO.DELETION K:REQUIRED NO. CORRECTION L:APPLICATION SERIAL NO. CORRECTION
T:APPLICATION CORRECTION Z:REMARKS CHANGE



PARTS CATALOGUE NEWS

Honda Motor Co., Ltd. Service Division

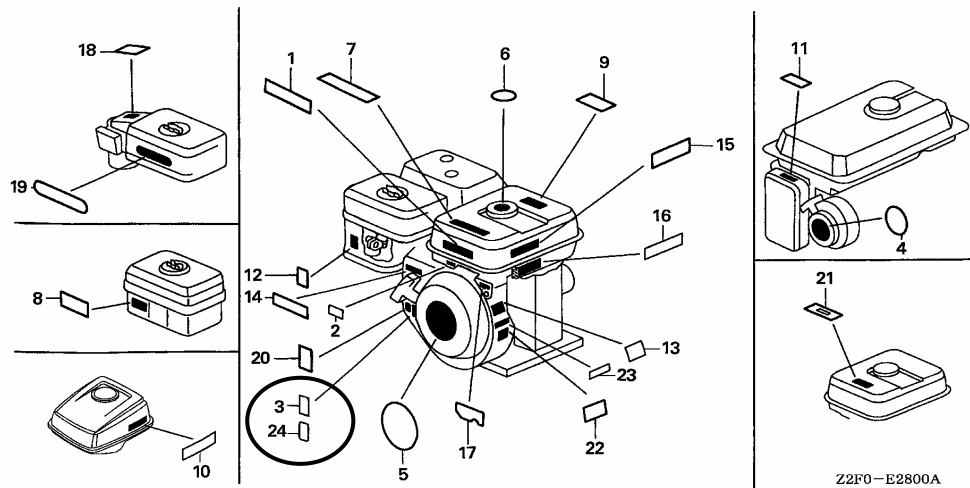
PARTS CATALOGUE - CORRECTED

Printed in Japan

CODE NO.	BOOKLET TYPE	13Z2F401
	MICRO-FICHE	13Z2F4EA/FA
PARTS CATALOGUE TITLE	GX160K1 [GCAAK-100]	
NEWS NO.	013	

Block No.	Ref. No.	Note	Part No.	Description	Reqd. QTY		Serial No.	Parts catalogue code
					GX 160K1 (1)	GX 160K1 (2)		

E-28 LABEL (1)



Z2F0-E2800A

NOTE A:PART NO. CHANGE D:NEWLY PROVIDED E:PART NO.DELETION K:REQUIRED NO. CORRECTION L:APPLICATION SERIAL NO. CORRECTION
T:APPLICATION CORRECTION Z:REMARKS CHANGE

PARTS CATALOGUE NEWS

BOOKNo. : 13Z2F401

Block No.	Ref. No.	Note	Part No.	Description	Reqd. QTY		Serial No.	Parts catalogue code
					GX 160K1 (1)	GX 160K1 (2)		
E-28	24	D	87114-ZH7-000	LABEL, WARNING (NOT CERTIFIED FOR SALE)	1	-	1055702 -----	BL, HH, HX, KR, KTA, LA1, LD, LH, LHB3, LJ, LJC7, LJG, LJS, LSK, LVL, LW2, LX, NJ, NJC1, NJG, NSJ, PHM, PX, QAB3, QD, QH, QHE, QHP1, QMH, QNZ, QP, QT, QVL, QX, QXC, QXE, QXM1, RD, RH, RMD, RSS1, RX, RXE, SCJ, SD, SH, SHM, SJ, SJC1, SJC5, SJG, SKM, SMJ, SMJ1, SM11, SNX, SNX1, SSK1, ST, STM, STQ, SX, SXE, TX, VED, VED1, VED3, VED5, VES, VMT, VSB1, VSG, VSW3, VSW5, VSX, VSX1, VSX3, VS3, VS4, VTU1, VX, VXD, VXD1, VXM, WJP, WMT
					-	1	1055702	

NOTE A:PART NO. CHANGE D:NEWLY PROVIDED E:PART NO. DELETION K:REQUIRED NO. CORRECTION L:APPLICATION SERIAL NO. CORRECTION
T:APPLICATION CORRECTION Z:REMARKS CHANGE



PARTS CATALOGUE NEWS

Honda Motor Co., Ltd. Service Division

PARTS CATALOGUE - CORRECTED

Printed in Japan

CODE NO.	BOOKLET TYPE	13Z2F401
	MICRO-FICHE	13Z2F4EA/FA
PARTS CATALOGUE TITLE	GX160K1 [GCAAK-100]	
NEWS NO.	014	

Block No.	Ref. No.	Note	Part No.	Description	Reqd. QTY		Serial No.	Parts catalogue code
					GX 160K1 (1)	GX 160K1 (2)		
E-3	9	E	34150-ZH7-003	*PARTS NO. DELETION				
	22	E	95701-06008-00	*PARTS NO. DELETION				

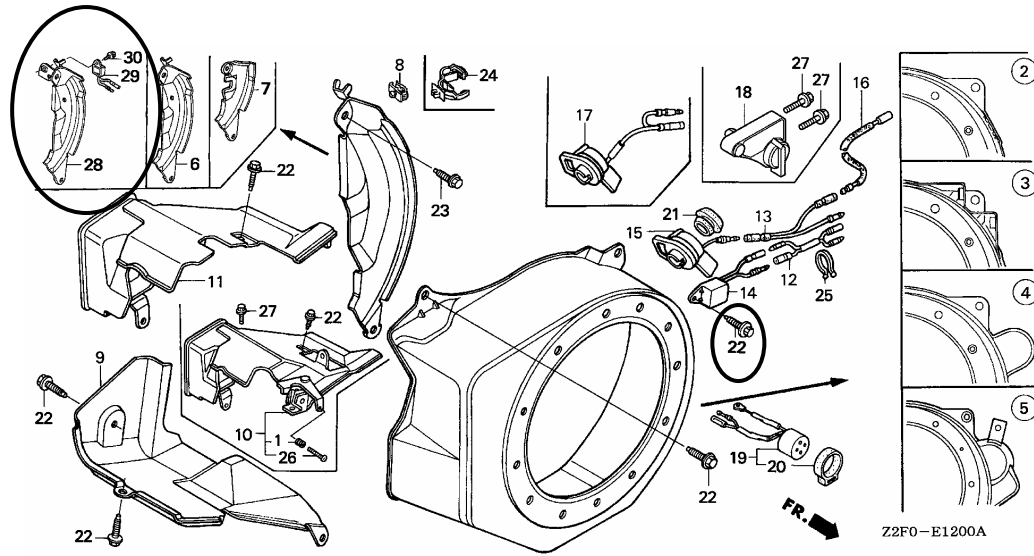
NOTE A:PART NO. CHANGE D:NEWLY PROVIDED E:PART NO. DELETION K:REQUIRED NO. CORRECTION L:APPLICATION SERIAL NO. CORRECTION
T:APPLICATION CORRECTION Z:REMARKS CHANGE

PARTS CATALOGUE NEWS

BOOKNo. : 13Z2F401

Block No.	Ref. No.	Note	Part No.	Description	Reqd. QTY		Serial No.	Parts catalogue code
					GX 160K1 (1)	GX 160K1 (2)		

E-12 FAN COVER



E-12	6	E	19611-ZH8-810	*PARTS NO. DELETION				
		E	19611-ZH8-820	*PARTS NO. DELETION				
	14	T	34150-ZH7-003	ALERT UNIT, OIL	1	-	-----	SKM, SNX1, SWG4, VTH4
	27	T	95701-06008-00	BOLT, FLANGE, 6X8	1	-	-----	EMA2, VED2, VED3, VEN2, VES, VMT, VSB1, VSD1, VSG, VSW3, VSW4, VSW5, VS17, VS3, VS4
	28	D	19611-ZH8-810	PLATE COMP., SIDE (OIL ALERT)	1	-	-----	HB24, HG12, HX, HXU, HX2, HX26, HX4, LA1, LJC7, LX, LXU, LX2, LX26, LX4, PX, PXU, QBT6, QCL, QGR2, Q12, QMC8, QMH, QMX2, QNT, QNT4, QS2, QWA4, QWX2, QX, QXC, QXC6, QXC9, QXF2, QXM1, QXU, QX2, QX22, QX26, QX4, QX7, RX, RXU, RX4, SG24, SJC1, SJC5, SMC7, SMJ, SMJ1, SMW2, SMX4, SM12, SM14, SNX, SSX2, SWX2, SWX4, SX, SXS4, SXU, SX4, SX7, TCS2, TX, TXC9, TXU, TX2, TX26, TX4, UXU, VA2, VEBM, VED1, VED2, VED3, VED5, VED6, VEN2, VGE4, VG24, VHA7, VHH4, VMS4, VMS7, VMT, VPM4, VPM5, VPM7, VPR4, VPR7, VSB1, VSD, VSD1, VSD7, VSG, VSW3, VSW4, VSW5, VSX, VSX1, VSX3, VS17, VS3, VS4, VTU1, VWA2, VW12, VX, VXM, VXU, VXU1, VXX2, VX2, VX4, WKD6, WKT2, WKT4, WKT6, WME2, WMT

- (1)

NOTE A:PART NO. CHANGE D:NEWLY PROVIDED E:PART NO.DELETION K:REQUIRED NO. CORRECTION L:APPLICATION SERIAL NO. CORRECTION
T:APPLICATION CORRECTION Z:REMARKS CHANGE

PARTS CATALOGUE NEWS

BOOKNo. : 13Z2F401

Block No.	Ref. No.	Note	Part No.	Description	Reqd. QTY		Serial No.	Parts catalogue code
					GX 160K1 (1)	GX 160K1 (2)		
		D	19611-ZH8-820	PLATE COMP. , SIDE (ALERT & LAMP)	1	-	-----	EMA2, QAX2, QGR9, QMD6, QSC9, QXS2, SMC9, VES, VXD, VXD1
					-	(1)		
	29	D	34150-ZH7-003	ALERT UNIT, OIL	1	-	-----	EMA2, HB24, HG12, HX, HXU, HX2, HX26, HX4, LA1, LJC7, LX, LXU, LX2, LX26, LX4, PX, PXU, QAX2, QBT6, QCL, QGR2, QGR9, QI2, QMC8, QMD6, QMH, QMX2, QNT, QNT4, QSC9, QS2, QWA4, QWX2, QX, QXC, QXC6, QXC9, QXF2, QXM1, QXS2, QXU, QX2, QX22, QX26, QX4, QX7, RX, RXU, RX4, SG24, SJC1, SJC5, SMC7, SMC9, SMJ, SMJ1, SMW2, SMX4, SM12, SM14, SNX, SSS2, SWX2, SWX4, SX, SXS4, SXU, SX4, SX7, TCS2, TX, TXC9, TXU, TX2, TX26, TX4, UXU, VA2, VEBM, VED1, VED2, VED3, VED5, VED6, VEN2, VES, VGE4, VG24, VHA7, VHH4, VMS4, VMS7, VMT, VPM4, VPM5, VPM7, VPR4, VPR7, VSB1, VSD, VSD1, VSD7, VSG, VSW3, VSW4, VSW5, VSX, VSX1, VSX3, VS17, VS3, VS4, VTU1, VWA2, VW12, VX, VXD, VXD1, VXM, VXU, VXU1, VXW2, VX2, VX4, WKD6, WKT2, WKT4, WKT6, WME2, WMT
					-	(1)		
	30	D	95701-06008-00	BOLT, FLANGE, 6X8	1	-	-----	EMA2, HB24, HG12, HX, HXU, HX2, HX26, HX4, LA1, LJC7, LX, LXU, LX2, LX26, LX4, PX, PXU, QAX2, QBT6, QCL, QGR2, QGR9, QI2, QMC8, QMD6, QMH, QMX2, QNT, QNT4, QSC9, QS2, QWA4, QWX2, QX, QXC, QXC6, QXC9, QXF2, QXM1, QXS2, QXU, QX2, QX22, QX26, QX4, QX7, RX, RXU, RX4, SG24, SJC1, SJC5, SKM, SMC7, SMC9, SMJ, SMJ1, SMW2, SMX4, SM12, SM14, SNX, SSS2, SWX2, SWX4, SX, SXS4, SXU, SX4, SX7, TCS2, TX, TXC9, TXU, TX2, TX26, TX4, UXU, VA2, VEBM, VED1, VED2, VED3, VED5, VED6, VEN2, VES, VGE4, VG24, VHA7, VHH4, VMS4, VMS7, VMT, VPM4, VPM5, VPM7, VPR4, VPR7, VSB1, VSD, VSD1, VSD7, VSG, VSW3, VSW4, VSW5, VSX, VSX1, VSX3, VS17, VS3, VS4, VTU1, VWA2, VW12, VX, VXD, VXD1, VXM, VXU, VXU1, VXW2, VX2, VX4, WKD6, WKT2, WKT4, WKT6, WME2, WMT
					-	(1)		

NOTE A:PART NO. CHANGE D:NEWLY PROVIDED E:PART NO.DELETION K:REQUIRED NO. CORRECTION L:APPLICATION SERIAL NO. CORRECTION
T:APPLICATION CORRECTION Z:REMARKS CHANGE



PARTS CATALOGUE NEWS

Honda Motor Co., Ltd. Service Division

PARTS CATALOGUE - CORRECTED

Printed in Japan

CODE NO.	BOOKLET TYPE	13Z2F401
	MICRO-FICHE	13Z2F4EA/FA
PARTS CATALOGUE TITLE	GX160K1 [GCAAK-100]	
NEWS NO.	015	

Block No.	Ref. No.	Note	Part No.	Description	Reqd. QTY		Serial No.	Parts catalogue code
					GX 160K1 (1)	GX 160K1 (2)		
E-28	7	T	87522-ZH8-W41	MARK, CAUTION	1	-	-----	HHQ4, HX4, LHQ4, LSJ4, LX4, NDM4, QE, QFE4, QHQ4, QKA4, QMC6, QMC8 QMD6, QME4, QNT, QNT4, QPU, QXE4, QXW, QX4, RD4, RHQ4, RMB4, RSK RXE4, RX4, SDS, SD4, SE, SHQ4, SHRY, SMC7, SMC9, SMX4, SM14, SWG4 SWX4, SXE4, SXS4, SX4, S1CY, TX4, VMS4, VSD, VTH4, VXE4, VX4, WKT4 WMBO, WME4
					1	-	1061812	-----
	1	-	1085500	-----	RH2			
	12	D	87528-ZH7-000	MARK, CHOKE	1	-	1085500	-----
14	T	87532-ZH8-W40	MARK, THROTTLE INDICATION	1	-	-----	-----	HHQ4, HX4, LHQ4, LSJ4, LX4, NDM4, QBC2, QE, QFE4, QHQ4, QKA4, QMC6 QMC8, QMD6, QME4, QNT, QNT4, QPU, QWA4, QXE4, QXW, QX4, QX7, RD4 RHQ4, RMB4, RSK, RXE4, RX4, SDS, SD4, SE, SG24, SHQ4, SMC7, SMC9 SMX4, SM14, SWG4, SWX4, SXE4, SXS4, SX4, SX7, S1CY, TX4, VG24, VXE4 VXE7, VX4, WKT4, WMBO, WME4
				1	-	1061812	-----	SWX2
				1	-	1085500	-----	RH2

NOTE A:PART NO. CHANGE D:NEWLY PROVIDED E:PART NO.DELETION K:REQUIRED NO. CORRECTION L:APPLICATION SERIAL NO. CORRECTION T:APPLICATION CORRECTION Z:REMARKS CHANGE



PARTS CATALOGUE NEWS

Honda Motor Co., Ltd. Service Division

Printed in Japan

CODE NO.	BOOKLET TYPE	13Z2F401
	MICRO- FICHE	13Z2F4EA/FA
PARTS CATALOGUE TITLE	GX160K1 [GCAAK-100]	
NEWS NO.	016	

GX160K1-VES6 TYPE sales parts information

NOTE: This Parts Catalogue News explains only the parts of the different model that are produced to conform to addition of the GX160K1-VES6 type.

As for the parts not listed on this Parts Catalogue News, use the parts of the GX160K1-VED3 type.

Model	Type		Parts catalogue type	Applicable engine serial No.	Applicable carburetor identification No.
GX160K1	VED3	Base model	VED3	GCAAK-1000001~	BE67A B
	VES6	Additional model	VES6		

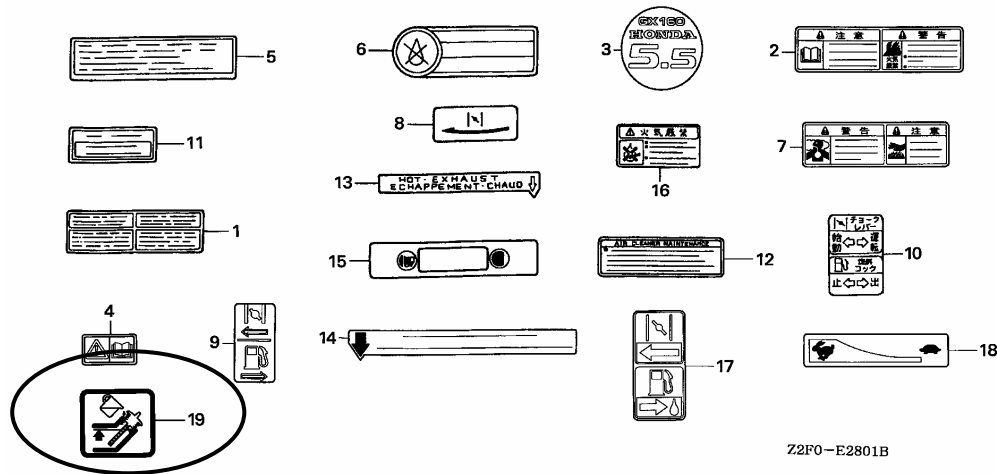
NOTE A:PART NO. CHANGE D:NEWLY PROVIDED E:PART NO. DELETION K:REQUIRED NO. CORRECTION L:APPLICATION SERIAL NO. CORRECTION
T:APPLICATION CORRECTION Z:REMARKS CHANGE

PARTS CATALOGUE NEWS

BOOKNo. : 13Z2F401

Block No.	Ref. No.	Part No.	Description	Reqd. QTY		Base Part No.	Parts catalogue code
				GX 160K1 (1)	GX 160K1 (2)		
E-11-3	1		STARTER ASSY., RECOIL *R280*..... POWER RED	0	-	28400-ZH8-023YA	
	4		CASE COMP., RECOIL STARTER *R280*..... POWER RED	0	-	28410-ZH8-003YA	
E-12	2		COVER COMP., FAN *R280*..... POWER RED	0	-	19610-ZE1-000ZP	
E-15-4	9	95701-06010-00	BOLT, FLANGE, 6X10	1	-	95701-06008-00	
E-28	3		LABEL, E-SPEC (15.5X27.5)	0	-	87135-ZE2-020	
	22		MARK, OIL CAUTION	0	-	87594-ZB4-A00	
	24		LABEL, WARNING (NOT CERTIFIED FOR SALE)	0	-	87114-ZH7-000	

E-28-1 LABEL (2)



Z2F0-E2801B

E-28-1	5	87522-ZH9-010	LABEL, CAUTION (ENGLISH, ETC.)	1	-		
	19	87594-ZB4-A00	MARK, OIL CAUTION	1	-		
E-40-6	9	18381-ZH8-800	GASKET, MUFFLER	1	-		

NOTE A:PART NO. CHANGE D:NEWLY PROVIDED E:PART NO.DELETION K:REQUIRED NO. CORRECTION L:APPLICATION SERIAL NO. CORRECTION
T:APPLICATION CORRECTION Z:REMARKS CHANGE

PARTS CATALOGUE NEWS

BOOKNo. : 13Z2F401

Block No.	Ref. No.	Part No.	Description	Reqd. QTY		Base Part No.	Parts catalogue code
				GX 160K1 (1)	GX 160K1 (2)		
	44		BOLT, FLANGE, 6X10	0	-	95701-06010-00	
	45		BOLT, FLANGE, 6X12	0	-	95701-06012-00	

NOTE A:PART NO. CHANGE D:NEWLY PROVIDED E:PART NO.DELETION K:REQUIRED NO. CORRECTION L:APPLICATION SERIAL NO. CORRECTION
T:APPLICATION CORRECTION Z:REMARKS CHANGE



PARTS CATALOGUE NEWS

Honda Motor Co., Ltd. Service Division

PARTS CATALOGUE - CORRECTED

Printed in Japan

CODE NO.	BOOKLET TYPE	13Z2F401
	MICRO-FICHE	13Z2F4EA/FA
PARTS CATALOGUE TITLE	GX160K1 [GCAAK-100]	
NEWS NO.	017	

Block No.	Ref. No.	Note	Part No.	Description	Reqd. QTY		Serial No.	Parts catalogue code
					GX 160K1 (1)	GX 160K1 (2)		
E-2	3	E	12210-ZH8-020	*PARTS NO. DELETION				
		D	12210-ZH8-405	HEAD COMP., CYLINDER	1	1		
E-11	1	D	28400-ZB2-C02ZE	STARTER ASSY., RECOIL *R280*..... POWER RED	1	-	-----	VSW5
		D	28410-ZB2-C02ZE	CASE COMP., RECOIL STARTER *R280*..... POWER RED	1	-	-----	VSW5
E-12	2	T	19610-ZE1-000ZP	COVER COMP., FAN *R280*..... POWER RED	1	-	-----	BL, HG12, HH, HHQ4, HH26, HX, HXU, HX2, HX26, HX4, KTA, LD, LH, LHB3, LHQ4, LJ, LJC7, LJG, LJS, LSK, LVL, LW2, LX, LXU, LX2, LX26, LX4, NDM4, NJ, NJG, NSJ, PHM, PX, PXU, QAB3, QAX2, QA2, QA26, QBC2, QBT6, QCB2, QCL, QD, QE, QFE4, QGR2, QGR9, QH, QHP1, QHQ4, QH2, QH26, QI2, QMC6, QMC8, QMD6, QME4, QMH, QMX2, QMZ2, QNT, QNT4, QP, QPU, QSC9, QS2, QT, QVL, QWA4, QX, QXC, QXC6, QXC9, QXF2, QXM1, QXS2, QXU, QX2, QX22, QX26, QX4, QX7, RD, RD4, RH, RHA2, RHQ4, RH2, RH26, RMB4, RMD, RMG2, RSK, RSS1, RTB2, RX, RXU, RX4, SCJ, SD, SDS, SD16, SD4, SE, SG24, SH, SHM, SHQ4, SJ, SJG, SMC7, SMC9, SMJ, SMJ1, SMW2, SMX4, SM11, SM12, SM14, SNX, STQ, SX, SXS4, SXU, SX4, SX7, S1CY, TCS2, TX, TXC9, TXU, TX2, TX26, TX4, UXU, VA2, VEBM, VED, VED1, VED2, VED3, VES, VGE4, VG24, VHA7, VHH4, VMS4, VMS7, VMT, VPM4, VPM5, VPM7, VPR4, VPR7, VSB1, VSD, VSD7, VSG, VSW5, VSX, VSX1, VSX3, VS3, VTU1, VX, VXM, VXU, VXU1, VXW2, VX2, VX4, WDA6, WJP, WKD6, WKT2, WKT4, WKT6, WMB0, WME2, WME4, WMT

NOTE A:PART NO. CHANGE D:NEWLY PROVIDED E:PART NO.DELETION K:REQUIRED NO. CORRECTION L:APPLICATION SERIAL NO. CORRECTION
T:APPLICATION CORRECTION Z:REMARKS CHANGE

PARTS CATALOGUE NEWS

BOOKNo. : 13Z2F401

Block No.	Ref. No.	Note	Part No.	Description	Reqd. QTY		Serial No.	Parts catalogue code
					GX 160K1 (1)	GX 160K1 (2)		
					-	(1)		

NOTE A:PART NO. CHANGE D:NEWLY PROVIDED E:PART NO.DELETION K:REQUIRED NO. CORRECTION L:APPLICATION SERIAL NO. CORRECTION
T:APPLICATION CORRECTION Z:REMARKS CHANGE



PARTS CATALOGUE NEWS

Honda Motor Co., Ltd. Service Division

PARTS CATALOGUE - CORRECTED

Printed in Japan

CODE NO.	BOOKLET TYPE	13Z2F401
	MICRO-FICHE	13Z2F4EA/FA
PARTS CATALOGUE TITLE	GX160K1 [GCAAK-100]	
NEWS NO.	018	

Block No.	Ref. No.	Note	Part No.	Description	Reqd. QTY		Serial No.	Parts catalogue code	
					GX 160K1 (1)	GX 160K1 (2)			
E-15-4	7	K	90115-459-770	BOLT, WINKER SETTING	2	-	-----	VSW4	
					2	-	-----	1161012	VSW3, VSW5
					4	-	-----		EMA2, VED2, VED3, VEN2, VES, VES6, VMT, VPM4, VPM5, VPM7, VPR4, VPR7 VSB1, VSD1, VSG, VS17, VS3, VS4, VTH4
					4	-	-----	1161013	VSW3, VSW5

NOTE A:PART NO. CHANGE D:NEWLY PROVIDED E:PART NO.DELETION K:REQUIRED NO. CORRECTION L:APPLICATION SERIAL NO. CORRECTION
T:APPLICATION CORRECTION Z:REMARKS CHANGE



PARTS CATALOGUE NEWS

Honda Motor Co., Ltd. Service Division

PARTS CATALOGUE - CORRECTED

Printed in Japan

CODE NO.	BOOKLET TYPE	13Z2F401
	MICRO-FICHE	13Z2F4EA/FA
PARTS CATALOGUE TITLE	GX160K1 [GCAAK-100]	
NEWS NO.	019	

Block No.	Ref. No.	Note	Part No.	Description	Reqd. QTY		Serial No.	Parts catalogue code
					GX 160K1 (1)	GX 160K1 (2)		
E-12	15	L	36100-ZE1-015	SWITCH ASSY., ENGINE STOP	1	-	-----	AR, ARC6, BL, HH, HH26, KR, KTA, LD, LH, LHB3, LJ, LJG, LSK, LVL, LW2, NJ, NJG, NSJ, PHM, QAB3, QA2, QA26, QCB2, QD, QH, QHP1, QH2, QH26, QM22, QP, QT, QVL, RD, RH, RHA2, RH26, RMD, RMG2, RSS1, RTB2, SD, SD16, SH, SHM, SJ, SJG, SM11, SSK1, STQ, VED, WDA6, WJP
					1	-	-----	1085499 RH2
					-	(1)		
		T	35120-Z0D-V81	1	-	-----	QBC2
					1	-	1085500	RH2

NOTE A:PART NO. CHANGE D:NEWLY PROVIDED E:PART NO.DELETION K:REQUIRED NO. CORRECTION L:APPLICATION SERIAL NO. CORRECTION
T:APPLICATION CORRECTION Z:REMARKS CHANGE



PARTS CATALOGUE NEWS

Honda Motor Co., Ltd. Service Division

PARTS CATALOGUE - CORRECTED

Printed in Japan

CODE NO.	BOOKLET TYPE	13Z2F401
	MICRO- FICHE	13Z2F4EA/FA
PARTS CATALOGUE TITLE	GX160K1 [GCAAK-100]	
NEWS NO.	020	

Block No.	Ref. No.	Note	Part No.	Description	Reqd. QTY		Serial No.	Parts catalogue code
					GX 160K1 (1)	GX 160K1 (2)		
E-28	2	L	87135-ZE2-020	LABEL, E-SPEC (15. 5X27. 5)	1	-	----- 1001091	HHQ4, HX4, LHQ4, LSJ4, LX4, QE, QFE4, QHQ4, QKA4, QMC6, QMC8, QMD6, QME4, QNT, QNT4, QPU, QXE4, QXW, QX4, QX7, RD4, RHQ4, RMB4, RSK, RXE4, RX4, SDS, SD4, SE, SHQ4, SHRY, SMC7, SMC9, SMX4, SM14, SWX4, SXE4, SX4, SX7, TX4, VED6, VMS4, VMS7, VSD, VSD7, VXE4, VXE7, VX4, WDA6, WKD6, WKT4, WMBO, WME4
					1	-	----- 1165999	BL, HH, HX, HXE8, HXU, KTA, LA1, LD, LH, LHB3, LJ, LJC7, LJG, LJS, LSK, LVL, LW2, LX, LXU, NJ, NJC1, NJG, NSJ, PHM, PX, PXU, QAB3, QD, QH, QHE, QHP1, QMH, QNZ, QP, QVL, QX, QXC, QXE, QXE8, QXM1, QXU, RD, RH, RMD, RSS1, RX, RXE, RXU, SCJ, SD, SH, SHM, SJ, SJC1, SJC5, SJG, SMJ, SMJ1, SM11, SSK1, STQ, SX, SXE, SXU, S1CY, TX, TXU, UXU, VEBM, VED, VED1, VED5, VES, VSG, VSW3, VSW5, VSX, VSX1, VSX3, VX, VXD, VXD1, VXM, VXU, VXU1, WJP, WMT
	-	1	----- 1165999					
	1	-	----- 1001091	ARC6, SWG4, VGE4, VHA7, VHH4, VPM4, VPM7, VPR7, VSD1, VS17, VTH4				
	3	L	87135-ZE2-020	LABEL, E-SPEC (15. 5X27. 5)	1	-	----- 1165999	KR, SKM, ST, STM, VED3, VMT, VSB1, VS3, VS4, VTU1
					-	1	----- 1165999	

NOTE A:PART NO. CHANGE D:NEWLY PROVIDED E:PART NO. DELETION K:REQUIRED NO. CORRECTION L:APPLICATION SERIAL NO. CORRECTION
T:APPLICATION CORRECTION Z:REMARKS CHANGE



PARTS CATALOGUE NEWS

Honda Motor Co., Ltd. Service Division

Printed in Japan

CODE NO.	BOOKLET TYPE	13Z2F401
	MICRO- FICHE	13Z2F4EA/FA
PARTS CATALOGUE TITLE	GX160K1 [GCAAK-100]	
NEWS NO.	021	

GX160K1-WMK TYPE sales parts information

NOTE: This Parts Catalogue News explains only the parts of the different model that are produced to conform to addition of the GX160K1-WMK type.

As for the parts not listed on this Parts Catalogue News, use the parts of the GX160K1-WMB0 type.

•Models, parts catalogue codes and applicable serial numbers

Model	Type		Parts catalogue type	Applicable engine serial No.	Applicable carburetor identification No.
GX160K1	WMB0	Base model	WMB0	GCAAK-1000001~	BE66E B
	WMK	Additional model	WMK		

•Features of each type		Base type	Additional type
<div style="display: flex; justify-content: space-between;"> Model Type </div>		GX160K1	
		Standard equipment (1)	
		WMB0	WMK
Specifications			
Crankshaft	19 mm Ø Straight		
	20 mm Ø Straight		
	20 mm Ø Spline		
	21 mm Ø Spline		
	23 mm Ø Spline		
	24 mm Ø Spline		
	M16 Stepped thread		
	M18 Stepped thread	●	●
	1/2" Stepped thread		
	3/4" Thread		
	5/8" Thread		
	1/5" Tapered		
	3/16" Tapered		
Coil	Lamp coil		
	Charge coil		
Control box			
Starter motor			
Oil alert			
Reduction			

NOTE A:PART NO. CHANGE D:NEWLY PROVIDED E:PART NO. DELETION K:REQUIRED NO. CORRECTION L:APPLICATION SERIAL NO. CORRECTION
 T:APPLICATION CORRECTION Z:REMARKS CHANGE

PARTS CATALOGUE NEWS

BOOKNo. : 13Z2F401

Block No.	Ref. No.	Part No.	Description	Reqd. QTY		Base Part No.	Parts catalogue code
				GX 160K1 (1)	GX 160K1 (2)		
E-2	3	12210-ZH8-415	HEAD COMP., CYLINDER	1	-	12210-ZH8-405	
	15	98079-55846	PLUG, SPARK (BPR5ES) (NGK)	(1)	-	98079-55846	
		98079-55855	PLUG, SPARK (W16EPR-U) (DENSO)	(1)	-	98079-55855	
E-28	24	87114-ZH7-000	LABEL, WARNING (NOT CERTIFIED FOR SALE)	1	-		

NOTE A:PART NO. CHANGE D:NEWLY PROVIDED E:PART NO. DELETION K:REQUIRED NO. CORRECTION L:APPLICATION SERIAL NO. CORRECTION
T:APPLICATION CORRECTION Z:REMARKS CHANGE



PARTS CATALOGUE NEWS

Honda Motor Co., Ltd. Service Division

Printed in Japan

CODE NO.	BOOKLET TYPE	13Z2F401
	MICRO- FICHE	13Z2F4EA/FA
PARTS CATALOGUE TITLE	GX160K1 [GCAAK-100]	
NEWS NO.	022	

GX160K1-VED4,VED7,VSW6,VXK AND WMB1 TYPES sales parts information

NOTE: This Parts Catalogue News explains only the parts of the different model that are produced to conform to addition of the GX160K1-VED4,VED7,VSW6,VXK and WMB1 types.

As for the parts not listed on this Parts Catalogue News, use the parts of the GX160K1-VED3,VED5,VSW5,VXM and WMB0 types.

NOTE A:PART NO. CHANGE D:NEWLY PROVIDED E:PART NO. DELETION K:REQUIRED NO. CORRECTION L:APPLICATION SERIAL NO. CORRECTION
T:APPLICATION CORRECTION Z:REMARKS CHANGE

•Models, parts catalogue codes and applicable serial numbers

Model	Type		Parts catalogue type	Applicable engine serial No.	Applicable carburetor identification No.
GX160K1	VED5	Base model	VED5	GCAAK- 1000001~	BE65C B
	VED4	Additional model	VED4		BE67A B
	VED3	Base model	VED3		BE65B B
	VED7	Additional model	VED7		BE66E B
	VSW5	Base model	VSW5		
	VSW6	Additional model	VSW6		
	VXM	Base model	VXM		
	VXK	Additional model	VXK		
	WMB0	Base model	WMB0		
	WMB1	Additional model	WMB1		

•Features of each type		Base type	Additional type	Base type	Additional type	Base type	Additional type	Base type	Additional type	Base type	Additional type
		GX160K1									
Specifications		Model	Standard equipment (1)								
		Type	VED5	VED4	VED3	VED7	VSW5	VSW6	VXM	VXK	WMB0
Crankshaft	19mm Ø Straight										
	20mm Ø Straight										
	20mm Ø Spline										
	21mm Ø Spline										
	23mm Ø Spline										
	24mm Ø Spline										
	M16 Stepped thread										
	M18 Stepped thread									●	●
	1/2" Stepped thread										
	3/4" Thread										
	5/8" Thread										
	1/5" Tapered	●	●	●	●						
	3/16" Tapered					●	●	●	●		
Coil	Lamp coil										
	Charge coil										
Control box											
Starter motor											
Oil alert		●		●	●	●	●	●	●		
Reduction											

NOTE A:PART NO. CHANGE D:NEWLY PROVIDED E:PART NO. DELETION K:REQUIRED NO. CORRECTION L:APPLICATION SERIAL NO. CORRECTION
T:APPLICATION CORRECTION Z:REMARKS CHANGE

PARTS CATALOGUE NEWS

BOOKNo. : 13Z2F401

Block No.	Ref. No.	Part No.	Description	Reqd. QTY		Base Part No.	Parts catalogue code
				GX 160K1 (1)	GX 160K1 (2)		
E-2	3	12210-ZH8-415	HEAD COMP., CYLINDER	1	-	12210-ZH8-405	
	15	98079-55846	PLUG, SPARK (BPR5ES) (NGK)	(1)	-	98079-55846	VED4, VXX, WMB1
		98079-55855	PLUG, SPARK (W16EPR-U) (DENSO)	(1)	-	98079-55855	VED4, VXX, WMB1
E-3	1	12000-ZH8-425	BARREL ASSY., CYLINDER	1	-	12000-ZH8-426	VED4
	2		SWITCH ASSY., OIL LEVEL	0	-	15510-ZE1-033	VED4
	19		NUT, FLANGE, 10MM	0	-	94050-10000	VED4
	23		BOLT, FLANGE, 6X12	0	-	95701-06012-00	VED4
E-11	1		STARTER ASSY., RECOIL *R280*..... POWER RED	0	-	28400-ZB2-C02ZE	VSW6
	2		CASE COMP., RECOIL STARTER *R280*..... POWER RED	0	-	28410-ZB2-C02ZE	VSW6
E-12	2		COVER COMP., FAN *R280*..... POWER RED	0	-	19610-ZE1-000ZP	VSW6
		19610-ZE1-000ZP	*R280*..... POWER RED	1	-		VED4
	6	19612-ZH8-000	PLATE, SIDE (STD.)	1	-		VED4
	15	35120-Z0D-V81	SWITCH ASSY., ENGINE STOP	1	-	36100-ZH8-W41	WMB1
		36100-ZE1-015	1	-	36100-ZH7-003	VED4
	24		CLIP, HARNESS	0	-	90601-ZH7-013	VED4
	28		PLATE COMP., SIDE (OIL ALERT)	0	-	19611-ZH8-810	VED4
	29		ALERT UNIT, OIL	0	-	34150-ZH7-003	VED4
	30		BOLT, FLANGE, 6X8	0	-	95701-06008-00	VED4
	E-15-4	9	95701-06010-00	BOLT, FLANGE, 6X10	1	-	95701-06008-00
E-16	2	18310-ZF1-000	MUFFLER COMP. (STD.)	1	-	18310-ZH8-810	VED4
		18310-ZH8-810	MUFFLER COMP. (ARRESTER)	(1)	-		WMB1
	7		ARRESTER, SPARK	0	-	18355-ZE1-000	VED4
		18355-ZE1-000	(1)	-		WMB1

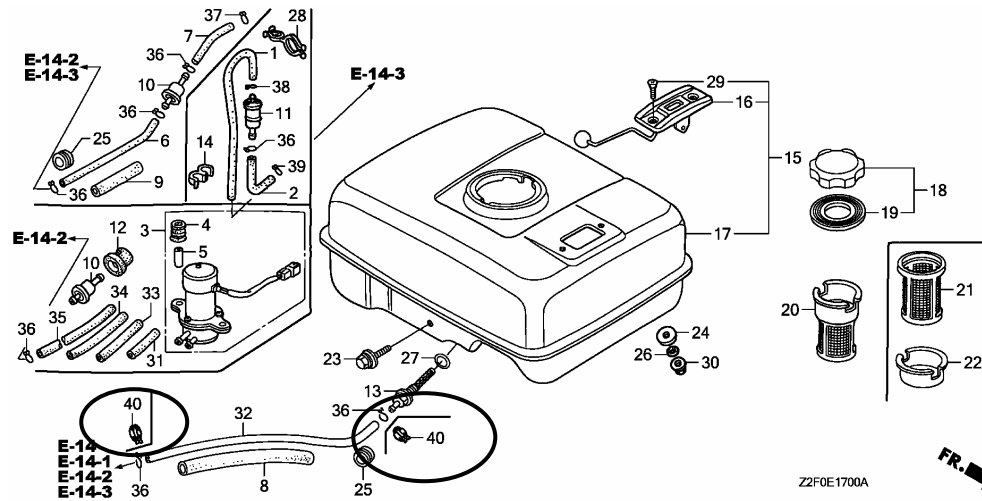
NOTE A:PART NO. CHANGE D:NEWLY PROVIDED E:PART NO.DELETION K:REQUIRED NO. CORRECTION L:APPLICATION SERIAL NO. CORRECTION
T:APPLICATION CORRECTION Z:REMARKS CHANGE

PARTS CATALOGUE NEWS

BOOKNo. : 13Z2F401

Block No.	Ref. No.	Part No.	Description	Reqd. QTY		Base Part No.	Parts catalogue code
				GX 160K1 (1)	GX 160K1 (2)		
	22		SCREW, TAPPING, 4X6	0	-	90055-ZE1-000	VED4
		90055-ZE1-000	(1)	-		WMB1
E-16-1	8		GASKET, MUFFLER	0	-	18381-ZE1-800	VED7, VSW6
	13		BOLT, FLANGE, 6X12	0	-	95701-06012-00	VED7

E-17 FUEL TANK (1)



E-17	15		TANK ASSY., FUEL (GAUGE) *NH31*.....MCKINLEY WHITE	0	-	17500-ZE1-813ZA	VED4
			NH1.....BLACK	0	-	17500-ZE1-813ZC	VED4
	16		GAUGE ASSY., FUEL	0	-	17505-ZE1-013	VED4
	17	17510-ZE1-020ZA	TANK COMP., FUEL *NH31*.....MCKINLEY WHITE	1	-		VED4
	29		SCREW, FLAT, 5X10	0	-	93600-05010-0A	VED4
	32	91424-Z4F-801	TUBE, FUEL, 4.5X140(FKM)	1	-	95001-45140-40	WMB1
	36		CLIP, TUBE (B8)	0	-	95002-02080	WMB1

NOTE A:PART NO. CHANGE D:NEWLY PROVIDED E:PART NO.DELETION K:REQUIRED NO. CORRECTION L:APPLICATION SERIAL NO. CORRECTION
T:APPLICATION CORRECTION Z:REMARKS CHANGE

PARTS CATALOGUE NEWS

BOOKNo. : 13Z2F401

Block No.	Ref. No.	Part No.	Description	Reqd. QTY		Base Part No.	Parts catalogue code
				GX 160K1 (1)	GX 160K1 (2)		
	40	95002-40800-08	CLAMP, TUBE (D8)	2	-	WMB1	
E-22	1	16500-ZH8-030	CONTROL ASSY.	1	-	16500-ZK8-020	VXK
	7	16561-ZL0-000	SPRING, GOVERNOR	1	-	16561-ZL0-U30	VXK
	27	93500-05025-0A	SCREW, PAN, 5X25	1	-	93500-05032-0H	VXK
E-28	1		MARK A, COMBINATION	0	-	87520-ZH8-000	VED4
			LABEL, CAUTION (ENGLISH, ETC.)	0	-	87522-ZH9-010	VXK
	7		LABEL, CAUTION (ENGLISH, ETC.)	0	-	87522-ZH9-010	VXK
		87516-ZM7-801	MARK, OPERATOR CAUTION	1	-	87522-ZH8-W41	WMB1
	9		MARK B, COMBINATION	0	-	87526-ZH8-000	VED4
	12	87528-ZH7-000	MARK, CHOKE (GRAY)	1	-	87528-733-E91	WMB1
	14	87532-ZH7-000	MARK, THROTTLE INDICATION	1	-	87532-ZH8-W40	WMB1
	15		MARK, OIL ALERT (INTERNAL) ...	0	-	87532-ZH8-000	VED4
			MARK, OIL ALERT (EXTERNAL) ...	0	-	87532-ZH8-810	VXK
	21		MARK, FUEL INDICATION (JAPANESE)	0	-	87565-ZE2-000	VED4
E-28-1	6		MARK, CAUTION (ENGLISH/FRENCH/SPANISH)	0	-	87522-883-660	VED7
E-29	3		TOOL KIT	0	-	89000-ZE1-000	VXK
	10		WRENCH COMP., SPARK PLUG	0	-	89218-ZE1-000	VXK
	11		HANDLE, BOX WRENCH	0	-	89219-805-000	VXK
	13		SPANNER, 10X12	0	-	99001-10120	VXK
	15		SPANNER, 14X17	0	-	99001-14170	VXK
	16		BAG, TOOL, 230MM	0	-	99008-02300	VXK
E-40-6	9	18381-ZE1-800	GASKET, MUFFLER	1	-	18381-ZH8-800	VED7, VSW6

NOTE A:PART NO. CHANGE D:NEWLY PROVIDED E:PART NO.DELETION K:REQUIRED NO. CORRECTION L:APPLICATION SERIAL NO. CORRECTION
T:APPLICATION CORRECTION Z:REMARKS CHANGE



PARTS CATALOGUE NEWS

Honda Motor Co., Ltd. Service Division

PARTS CATALOGUE - CORRECTED

Printed in Japan

CODE NO.	BOOKLET TYPE	13Z2F401
	MICRO- FICHE	13Z2F4EA/FA
PARTS CATALOGUE NEWS	GX160K1 [GCAAK-100]	
NEWS NO.	023	

Block No.	Ref. No.	Note	Part No.	Description	Reqd. QTY		Serial No.	Parts catalogue code
					GX 160K1 (1)	GX 160K1 (2)		
E-2	3	L	12210-ZH8-405	HEAD COMP., CYLINDER	1	-	----- 1237986	AR, ARC6, BL, EMA2, HB24, HG12, HH, HHQ4, HH26, HX, HXE2, HXE8, HXU HX2, HX26, HX4, KR, KTA, LA1, LD, LH, LHB3, LHQ4, LJ, LJC7, LJG, LJS LSJ4, LSK, LVL, LW2, LX, LXU, LX2, LX26, LX4, NDM4, NJ, NJC1, NJG, NSJ PHM, PX, PXU, QAB3, QAX2, QA2, QA26, QBC2, QBT6, QCB2, QCL, QD, QE QFE4, QGR2, QGR9, QH, QHE, QHP1, QHQ4, QH2, QH26, QI2, QKA4, QMC6 QMC8, QMD6, QME4, QMH, QMX2, QMZ2, QNT, QNT4, QNZ, QP, QPU, QSC2 QSC9, QS2, QT, QVL, QWA4, QWX2, QX, QXC, QXC6, QXC9, QXE, QXE2, QXE4 QXE6, QXE8, QXF2, QXM1, QXS2, QXU, QXW, QX2, QX22, QX26, QX4, QX7, RD RD4, RH, RHA2, RHQ4, RH2, RH26, RMB4, RMD, RMG2, RSK, RSS1, RTB2, RX RXE, RXE2, RXE4, RXU, RX4, SCJ, SD, SDS, SD16, SD4, SE, SG24, SH, SHM SHQ4, SHRY, SJ, SJC1, SJC5, SJG, SKM, SMC7, SMC9, SMJ, SMJ1, SMW2 SMX4, SM11, SM12, SM14, SNX, SNX1, SSK1, SSS2, ST, STM, STQ, SWG4 SWX2, SWX4, SX, SXE, SXE4, SXS4, SXU, SX4, SX7, S1CY, TCS2, TX, TXC9 TXU, TX2, TX26, TX4, UXU, VA2, VEBM, VED, VED1, VED2, VED3, VED5 VED6, VEN2, VES, VES6, VGE4, VG24, VHA7, VHH4, VMS4, VMS7, VMT, VPM4 VPM5, VPM7, VPR4, VPR7, VSB1, VSD, VSD1, VSD7, VSG, VSW3, VSW4, VSW5 VSX, VSX1, VSX3, VS17, VS3, VS4, VTH4, VTU1, VWA2, VW12, VX, VXD, VXD1 VXE4, VXE7, VXM, VXU, VXU1, VXW2, VX2, VX4, WDA6, WJP, WKD6, WKT2 WKT4, WKT6, WMBO, WME2, WME4, WMT
					-	1	----- 1237986	
		T	12210-ZH8-415	1	-	-----	VED4, VED7, VSW6, VXK, WMB1, WMK

NOTE A:PART NO. CHANGE D:NEWLY PROVIDED E:PART NO.DELETION K:REQUIRED NO. CORRECTION L:APPLICATION SERIAL NO. CORRECTION
T:APPLICATION CORRECTION Z:REMARKS CHANGE

PARTS CATALOGUE NEWS

BOOKNo. : 13Z2F401

Block No.	Ref. No.	Note	Part No.	Description	Reqd. QTY		Serial No.	Parts catalogue code
					GX 160K1 (1)	GX 160K1 (2)		
					1	-	1237987 -----	AR, ARC6, BL, EMA2, HB24, HG12, HH, HHQ4, HH26, HX, HXE2, HXE8, HXU HX2, HX26, HX4, KR, KTA, LA1, LD, LH, LHB3, LHQ4, LJ, LJC7, LJG, LJS LJSJ4, LSK, LVL, LW2, LX, LXU, LX2, LX26, LX4, NDM4, NJ, NJC1, NJG, NSJ PHM, PX, PXU, QAB3, QAX2, QA2, QA26, QBC2, QBT6, QCB2, QCL, QD, QE QFE4, QGR2, QGR9, QH, QHE, QHP1, QHQ4, QH2, QH26, QI2, QKA4, QMC6 QMC8, QMD6, QME4, QMH, QMX2, QMZ2, QNT, QNT4, QNZ, QP, QPU, QSC2 QSC9, QS2, QT, QVL, QWA4, QWX2, QX, QXC, QXC6, QXC9, QXE, QXE2, QXE4 QXE6, QXE8, QXF2, QXM1, QXS2, QXU, QXW, QX2, QX22, QX26, QX4, QX7, RD RD4, RH, RHA2, RHQ4, RH2, RH26, RMB4, RMD, RMG2, RSK, RSS1, RTB2, RX RXE, RXE2, RXE4, RXU, RX4, SCJ, SD, SDS, SD16, SD4, SE, SG24, SH, SHM SHQ4, SHRY, SJ, SJC1, SJC5, SJG, SKM, SMC7, SMC9, SMJ, SMJ1, SMW2 SMX4, SM11, SM12, SM14, SNX, SNX1, SSK1, SSS2, ST, STM, STQ, SWG4 SWX2, SWX4, SX, SXE, SXE4, SXS4, SXU, SX4, SX7, S1CY, TCS2, TX, TXC9 TXU, TX2, TX26, TX4, UXU, VA2, VEBM, VED, VED1, VED2, VED3, VED5 VED6, VEN2, VES, VES6, VGE4, VG24, VHA7, VHH4, VMS4, VMS7, VMT, VPM4 VPM5, VPM7, VPR4, VPR7, VSB1, VSD, VSD1, VSD7, VSG, VSW3, VSW4, VSW5 VSX, VSX1, VSX3, VS17, VS3, VS4, VTH4, VTU1, VWA2, VW12, VX, VXD, VXD1 VXE4, VXE7, VXM, VXU, VXU1, VXW2, VX2, VX4, WDA6, WJP, WKD6, WKT2 WKT4, WKT6, WMBO, WME2, WME4, WMT
					-	1	1237987	

NOTE A:PART NO. CHANGE D:NEWLY PROVIDED E:PART NO.DELETION K:REQUIRED NO. CORRECTION L:APPLICATION SERIAL NO. CORRECTION
T:APPLICATION CORRECTION Z:REMARKS CHANGE



PARTS CATALOGUE NEWS

Honda Motor Co., Ltd. Service Division

PARTS CATALOGUE - CORRECTED

Printed in Japan

CODE NO.	BOOKLET TYPE	13Z2F401
	MICRO-FICHE	13Z2F4EA/FA
PARTS CATALOGUE NEWS	GX160K1 [GCAAK-100]	
NEWS NO.	024	

Block No.	Ref. No.	Note	Part No.	Description	Reqd. QTY		Serial No.	Parts catalogue code
					GX 160K1 (1)	GX 160K1 (2)		
E-17-4	7		16950-ZA0-013	COCK ASSY., FUEL	1	-	----- 1237049	NJC1
		A	16950-ZA0-023	1	-	1237050 -----	NJC1

NOTE A:PART NO. CHANGE D:NEWLY PROVIDED E:PART NO. DELETION K:REQUIRED NO. CORRECTION L:APPLICATION SERIAL NO. CORRECTION
T:APPLICATION CORRECTION Z:REMARKS CHANGE



PARTS CATALOGUE NEWS

Honda Motor Co., Ltd. Service Division

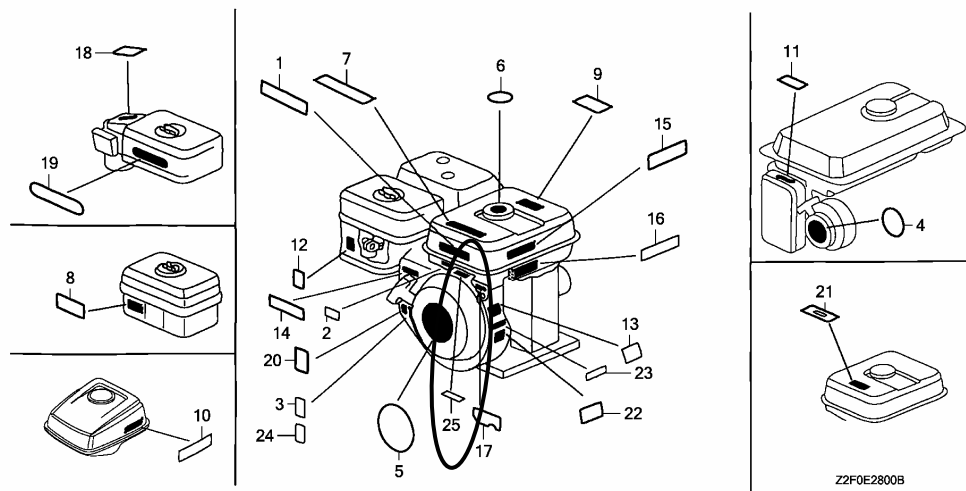
PARTS CATALOGUE - CORRECTED

Printed in Japan

CODE NO.	BOOKLET TYPE	13Z2F401
	MICRO-FICHE	13Z2F4EA/FA
PARTS CATALOGUE NEWS	GX160K1 [GCAAK-100]	
NEWS NO.	025	

Block No.	Ref. No.	Note	Part No.	Description	Reqd. QTY		Serial No.	Parts catalogue code
					GX 160K1 (1)	GX 160K1 (2)		

E-28 LABEL (1)



E-28 7 T 87516-ZM7-801 MARK, OPERATOR CAUTION 1 - ----- VED4, VXK, WMB1

NOTE A:PART NO. CHANGE D:NEWLY PROVIDED E:PART NO.DELETION K:REQUIRED NO. CORRECTION L:APPLICATION SERIAL NO. CORRECTION
T:APPLICATION CORRECTION Z:REMARKS CHANGE

PARTS CATALOGUE NEWS

BOOKNo. : 13Z2F401

Block No.	Ref. No.	Note	Part No.	Description	Reqd. QTY		Serial No.	Parts catalogue code
					GX 160K1 (1)	GX 160K1 (2)		
	24	T	87114-ZH7-000	LABEL, WARNING (NOT CERTIFIED FOR SALE)	1	-	-----	VED4, VED7, VSW6, VXK, WMK
					1	-	1055702	BL, HH, HX, KR, KTA, LA1, LD, LH, LHB3, LJ, LJC7, LJG, LJS, LSK, LVL, LW2, LX, NJ, NJC1, NJG, NSJ, PHM, PX, QAB3, QD, QH, QHE, QHP1, QMH, QNZ, QP, QT, QVL, QX, QXC, QXE, QXM1, RD, RH, RMD, RSS1, RX, RXE, SCJ, SD, SH, SHM, SJ, SJC1, SJC5, SJG, SKM, SMJ, SMJ1, SM11, SNX, SNX1, SSK1, ST, STM, STQ, SX, SXE, TX, VED, VED1, VED3, VED5, VES, VMT, VSB1, VSG, VSW3, VSW5, VSX, VSX1, VSX3, VS3, VS4, VTU1, VX, VXD, VXD1, VXM, WJP, WMT
					1	-	1187591	VXU
					-	1	1055702	
	25	D	87516-ZM7-801	MARK, OPERATOR CAUTION	1	-	-----	VED7, VSW6

NOTE A:PART NO. CHANGE D:NEWLY PROVIDED E:PART NO.DELETION K:REQUIRED NO. CORRECTION L:APPLICATION SERIAL NO. CORRECTION
T:APPLICATION CORRECTION Z:REMARKS CHANGE



PARTS CATALOGUE NEWS

Honda Motor Co., Ltd. Service Division

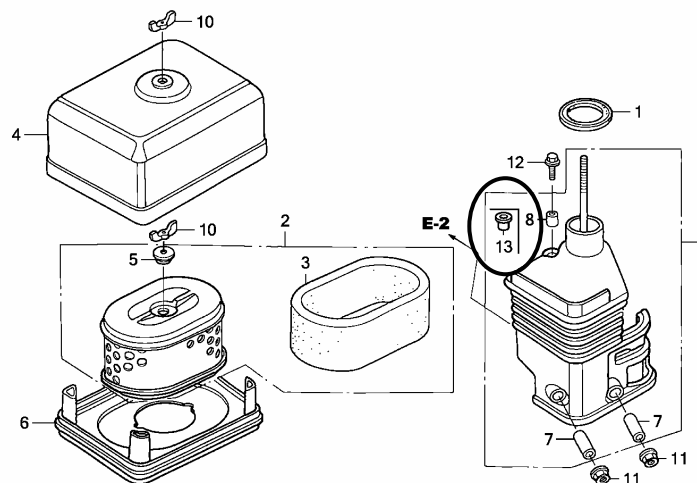
PARTS CATALOGUE - CORRECTED

Printed in Japan

CODE NO.	BOOKLET TYPE	13Z2F401
	MICRO-FICHE	13Z2F4EA/FA
PARTS CATALOGUE NEWS	GX160K1 [GCAAK-100]	
NEWS NO.	026	

Block No.	Ref. No.	Note	Part No.	Description	Reqd. QTY	Serial No.	Parts catalogue code
					GX 160K1 (1)		

E-15 AIR CLEANER (1)



Z2F0E1500A

NOTE A:PART NO. CHANGE D:NEWLY PROVIDED E:PART NO.DELETION K:REQUIRED NO. CORRECTION L:APPLICATION SERIAL NO. CORRECTION
T:APPLICATION CORRECTION Z:REMARKS CHANGE

PARTS CATALOGUE NEWS

BOOKNo. : 13Z2F401

Block No.	Ref. No.	Note	Part No.	Description	Reqd. QTY		Serial No.	Parts catalogue code	
					GX 160K1 (1)	GX 160K1 (2)			
E-15	8	L	17239-ZE1-000	COLLAR B, AIR CLEANER	1	-	-----	HB24, HG12, HH, HHQ4, HH26, HX, HXE2, HXE8, HXU, HX2, HX26, HX4, KTA LA1, LH, LHB3, LHQ4, LJS, LX, LXU, LX2, LX26, LX4, PHM, PX, PXU, QAX2 QBC2, QBT6, QCB2, QCL, QE, QFE4, QGR2, QGR9, QH, QHE, QHP1, QHQ4, QH2 QH26, Q12, QKA4, QMC8, QMD6, QMH, QMX2, QMZ2, QNT, QP, QPU, QS2, QWA4 QWX2, QX, QXE, QXE2, QXE4, QXE6, QXE8, QXF2, QXM1, QXS2, QXU, QXW QX2, QX22, QX26, QX4, QX7, RH, RHA2, RHQ4, RH2, RH26, RMG2, RSK, RTB2 RX, RXE, RXE2, RXE4, RXU, RX4, SE, SG24, SH, SHM, SHQ4, SMC7, SMC9 SMJ, SMJ1, SMW2, SMX4, SM11, SM12, SM14, SNX, SNX1, SSK1, SSS2, STQ SWG4, SWX2, SWX4, SX, SXE, SXE4, SXS4, SXU, SX4, SX7, S1CY, TCS2, TX TXU, TX2, TX26, TX4, UXU, VA2, VEBM, VG24, VHA7, VHH4, VMS4, VMS7 VSD, VSD7, VSX, VSX1, VSX3, VTU1, VWA2, VW12, VX, VXE4, VXE7, VXX VXM, VXU, VXU1, VXW2, VX2, VX4, WDA6	
					1	-	-----		1254541
	-	(1)							
	9		17410-ZE1-020	ELBOW COMP., AIR CLEANER	1	-	-----	HB24, HG12, HH, HHQ4, HH26, HX, HXE2, HXE8, HXU, HX2, HX26, HX4, KTA LA1, LH, LHB3, LHQ4, LJS, LX, LXU, LX2, LX26, LX4, PHM, PX, PXU, QAX2 QBC2, QBT6, QCB2, QCL, QE, QFE4, QGR2, QGR9, QH, QHE, QHP1, QHQ4, QH2 QH26, Q12, QKA4, QMC8, QMD6, QMH, QMX2, QMZ2, QNT, QP, QPU, QS2, QWA4 QWX2, QX, QXE, QXE2, QXE4, QXE6, QXE8, QXF2, QXM1, QXS2, QXU, QXW QX2, QX22, QX26, QX4, QX7, RH, RHA2, RHQ4, RH2, RH26, RMG2, RSK, RTB2 RX, RXE, RXE2, RXE4, RXU, RX4, SE, SG24, SH, SHM, SHQ4, SMC7, SMC9 SMJ, SMJ1, SMW2, SMX4, SM11, SM12, SM14, SNX, SNX1, SSK1, SSS2, STQ SWG4, SWX2, SWX4, SX, SXE, SXE4, SXS4, SXU, SX4, SX7, S1CY, TCS2, TX TXU, TX2, TX26, TX4, UXU, VA2, VEBM, VG24, VHA7, VHH4, VMS4, VMS7 VSD, VSD7, VSX, VSX1, VSX3, VTU1, VWA2, VW12, VX, VXE4, VXE7, VXX VXM, VXU, VXU1, VXW2, VX2, VX4, WDA6	
					1	-	-----		1254541
	-	(1)							
	A		17410-ZE1-800	1	-	1254542	-----	SKM
13	D		11826-750-800	COLLAR, DUST COVER	1	-	1254542	-----	SKM

NOTE A:PART NO. CHANGE D:NEWLY PROVIDED E:PART NO. DELETION K:REQUIRED NO. CORRECTION L:APPLICATION SERIAL NO. CORRECTION
T:APPLICATION CORRECTION Z:REMARKS CHANGE



PARTS CATALOGUE NEWS

Honda Motor Co., Ltd. Service Division

PARTS CATALOGUE - CORRECTED

Printed in Japan

CODE NO.	BOOKLET TYPE	13Z2F401
	MICRO- FICHE	13Z2F4EA/FA
PARTS CATALOGUE NEWS	GX160K1 [GCAAK-100]	
NEWS NO.	027	

Block No.	Ref. No.	Note	Part No.	Description	Reqd. QTY		Serial No.	Parts catalogue code
					GX 160K1 (1)	GX 160K1 (2)		
E-26-1	21		91202-805-610	OIL SEAL (PJ30507)	1	1	----- 1256321	RD, RH, RMD, RX, RXE, R1
					1	-	-----	RD4, RHA2, RHQ4, RH2, RH26, RMB4, RMG2, RSK, RSS1, RTB2, RXE2, RXE4, RXU, RX4
	A		91202-Z2F-801	OIL SEAL, 30X50X7	1	1	1256322 -----	RD, RH, RMD, RX, RXE, R1

NOTE A:PART NO. CHANGE D:NEWLY PROVIDED E:PART NO.DELETION K:REQUIRED NO. CORRECTION L:APPLICATION SERIAL NO. CORRECTION
T:APPLICATION CORRECTION Z:REMARKS CHANGE



PARTS CATALOGUE NEWS

Honda Motor Co., Ltd. Service Division

PARTS CATALOGUE - CORRECTED

Printed in Japan

CODE NO.	BOOKLET TYPE	13Z2F401
	MICRO-FICHE	13Z2F4EA/FA
PARTS CATALOGUE NEWS	GX160K1 [GCAAK-100]	
NEWS NO.	028	

Block No.	Ref. No.	Note	Part No.	Description	Reqd. QTY		Serial No.	Parts catalogue code
					GX 160K1 (1)	GX 160K1 (2)		
E-26-1	21	L	91202-805-610	OIL SEAL (PJ30507)	1	1	----- 1256321	RD, RH, RMD, RX, RXE, R1
					1	-	-----	RD4, RHA2, RHQ4, RH2, RH26, RMB4, RMG2, RSK, RTB2, RXE2, RXE4, RXU RX4
					1	-	----- 1119543	RSS1
			T	91202-Z2F-801	OIL SEAL, 30X50X7	1	1	1256322
1	-	1119544				-----	RSS1	

NOTE A:PART NO. CHANGE D:NEWLY PROVIDED E:PART NO. DELETION K:REQUIRED NO. CORRECTION L:APPLICATION SERIAL NO. CORRECTION
T:APPLICATION CORRECTION Z:REMARKS CHANGE



PARTS CATALOGUE NEWS

Honda Motor Co., Ltd. Service Division

PARTS CATALOGUE - CORRECTED

Printed in Japan

CODE NO.	BOOKLET TYPE	13Z2F401
	MICRO- FICHE	13Z2F4EA/FA
PARTS CATALOGUE NEWS	GX160K1 [GCAAK-100]	
NEWS NO.	029	

Block No.	Ref. No.	Note	Part No.	Description	Reqd. QTY		Serial No.	Parts catalogue code
					GX 160K1 (1)	GX 160K1 (2)		
E-28	24	T	87114-ZH7-000	LABEL, WARNING (NOT CERTIFIED FOR SALE)	1	-	-----	VED4, VED7, VSW6, VXK, WMB1, WMK
					1	-	1055702	BL, HH, HX, KR, KTA, LA1, LD, LH, LHB3, LJ, LJC7, LJG, LJS, LSK, LVL, LW2, LX, NJ, NJC1, NJG, NSJ, PHM, PX, QAB3, QD, QH, QHE, QHP1, QMH, QNZ, QP, QT, QVL, QX, QXC, QXE, QXM1, RD, RH, RMD, RSS1, RX, RXE, SCJ, SD, SH, SHM, SJ, SJC1, SJC5, SJG, SKM, SMJ, SMJ1, SM11, SNX, SNX1, SSK1, ST, STM, STQ, SX, SXE, TX, VED, VED1, VED3, VED5, VES, VMT, VSB1, VSG, VSW3, VSW5, VSX, VSX1, VSX3, VS3, VS4, VTU1, VX, VXD, VXD1, VXM, WJP, WMT
					1	-	1187591	VXU
					-	1	1055702	

NOTE A:PART NO. CHANGE D:NEWLY PROVIDED E:PART NO.DELETION K:REQUIRED NO. CORRECTION L:APPLICATION SERIAL NO. CORRECTION
T:APPLICATION CORRECTION Z:REMARKS CHANGE



PARTS CATALOGUE NEWS

Honda Motor Co., Ltd. Service Division

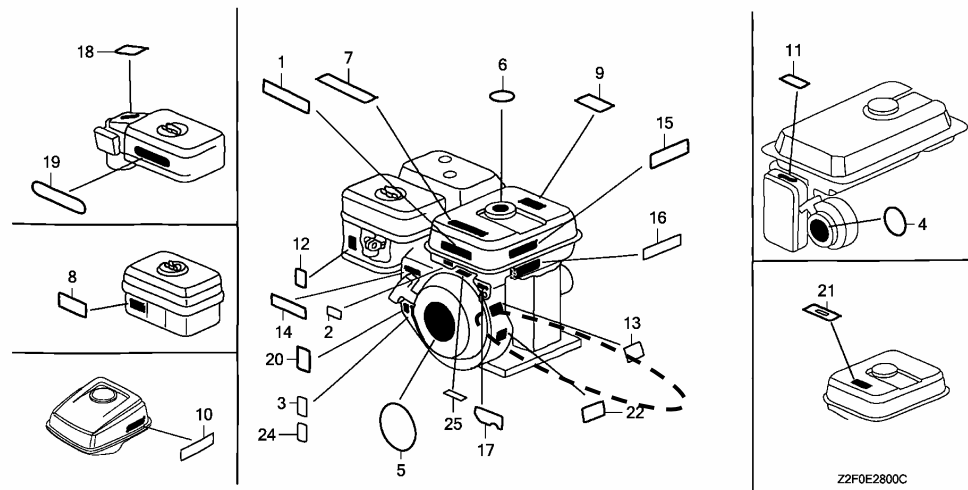
PARTS CATALOGUE - CORRECTED

Printed in Japan

CODE NO.	BOOKLET TYPE	13Z2F401
	MICRO-FICHE	13Z2F4EA/FA
PARTS CATALOGUE NEWS	GX160K1 [GCAAK-100]	
NEWS NO.	030	

Block No.	Ref. No.	Note	Part No.	Description	Reqd. QTY	Serial No.	Parts catalogue code
					GX 160K1 (1)		

E-28 LABEL (1)



E-28 23 E 87637-ZM3-800 *PARTS NO. DELETION

NOTE A:PART NO. CHANGE D:NEWLY PROVIDED E:PART NO.DELETION K:REQUIRED NO. CORRECTION L:APPLICATION SERIAL NO. CORRECTION
T:APPLICATION CORRECTION Z:REMARKS CHANGE



PARTS CATALOGUE NEWS

Honda Motor Co., Ltd. Service Division

PARTS CATALOGUE - CORRECTED

Printed in Japan

CODE NO.	BOOKLET TYPE	13Z2F401
	MICRO-FICHE	13Z2F4EA/FA
PARTS CATALOGUE NEWS	GX160K1 [GCAAK-100]	
NEWS NO.	031	

Block No.	Ref. No.	Note	Part No.	Description	Reqd. QTY		Serial No.	Parts catalogue code	
					GX 160K1 (1)	GX 160K1 (2)			
E-28	12	L	87528-733-E91	MARK, CHOKE (H=34)	1	-	-----	HHQ4, HX4, LHQ4, LSJ4, LX4, NDM4, QBC2, QE, QFE4, QHQ4, QKA4, QMC6, QMC8, QMD6, QME4, QNT, QNT4, QPU, QWA4, QXE4, QX4, QX7, RD4, RHQ4, RMB4, RSK, RXE4, RX4, SDS, SD4, SE, SG24, SHQ4, SHRY, SMC7, SMC9, SMX4, SM14, SWX4, SXE4, SXS4, SX4, SX7, S1CY, TX4, VG24, VHA7, VHH4, VMS4, VMS7, VSD, VSD7, VXE4, VXE7, VX4, WKT4, WME4	
					1	-	-----	1309125	WMBO, WMK
					1	-	1061812	-----	SWX2
		T	87528-ZH7-000	MARK, CHOKE (GRAY)	1	-	-----	-----	RH2, WMB1
					1	-	1309126	-----	WMBO, WMK

NOTE A:PART NO. CHANGE D:NEWLY PROVIDED E:PART NO.DELETION K:REQUIRED NO. CORRECTION L:APPLICATION SERIAL NO. CORRECTION
T:APPLICATION CORRECTION Z:REMARKS CHANGE



PARTS CATALOGUE NEWS

Honda Motor Co., Ltd. Service Division

PARTS CATALOGUE - CORRECTED

Printed in Japan

CODE NO.	BOOKLET TYPE	13Z2F401
	MICRO- FICHE	13Z2F4EA/FA
PARTS CATALOGUE NEWS	GX160K1 [GCAAK-100]	
NEWS NO.	032	

Block No.	Ref. No.	Note	Part No.	Description	Reqd. QTY		Serial No.	Parts catalogue code	
					GX 160K1 (1)	GX 160K1 (2)			
E-28	1	E	87525-ZH8-810	*PARTS NO. DELETION					
	5	L	87521-ZH8-030	EMBLEM (GX160 5.5).....	1	-	-----	AR, ARC6, EMA2, HB24, HHQ4, HH26, HXE2, HXE8, HXU, HX2, HX26, HX4, KTA LA1, LHQ4, LSJ4, LW2, LXU, LX2, LX26, LX4, NDM4, PHM, PX, PXU, QAX2 QA2, QA26, QBC2, QBT6, QCB2, QCL, QE, QFE4, QGR2, QGR9, QHQ4, QH2 QH26, Q12, QKA4, QMC6, QMC8, QMD6, QME4, QMH, QMX2, QMZ2, QNT, QNT4 QPU, QSC2, QSC9, QS2, QWA4, QWX2, QXC6, QXC9, QXE2, QXE4, QXE6, QXE8 QXF2, QXS2, QXU, QXW, QX2, QX22, QX26, QX4, QX7, RD4, RHA2, RHQ4, RH2 RH26, RMB4, RMG2, RSK, RTB2, RXE2, RXE4, RXU, RX4, SDS, SD16, SD4, SE SG24, SHM, SHQ4, SHRY, SMC7, SMC9, SMW2, SMX4, SM12, SM14, SSS2, STQ SWX2, SWX4, SXE4, SXS4, SXU, SX4, SX7, S1CY, TCS2, TXC9, TXU, TX2 TX26, TX4, UXU, VA2, VED2, VED6, VEN2, VES6, VG24, VHA7, VWA2, VW12 VXD, VXE4, VXE7, VXU, VXU1, VXW2, VX2, VX4, WDA6, WKD6, WKT2, WKT4 WKT6, WME2, WME4	
					1	-	-----	1314912	HH, HX, KR, LD, LH, LHB3, LJ, LJC7, LJG, LSK, LX, NJ, NJG, NSJ, QAB3, QD QH, QHE, QHP1, QNZ, QP, QX, QXC, QXE, QXM1, RD, RH, RMD, RSS1, RX, RXE SCJ, SD, SH, SJ, SJC1, SJG, SMJ, SMJ1, SM11, SSK1, ST, STM, SX, SXE, TX VEBM, VED, VED1, VED3, VED4, VED5, VED7, VES, VMT, VTU1, VX, VXD1 VXK, VXM, WJP, WMBO, WMB1, WMK, WMT
					-	(1)	-----	1314912	

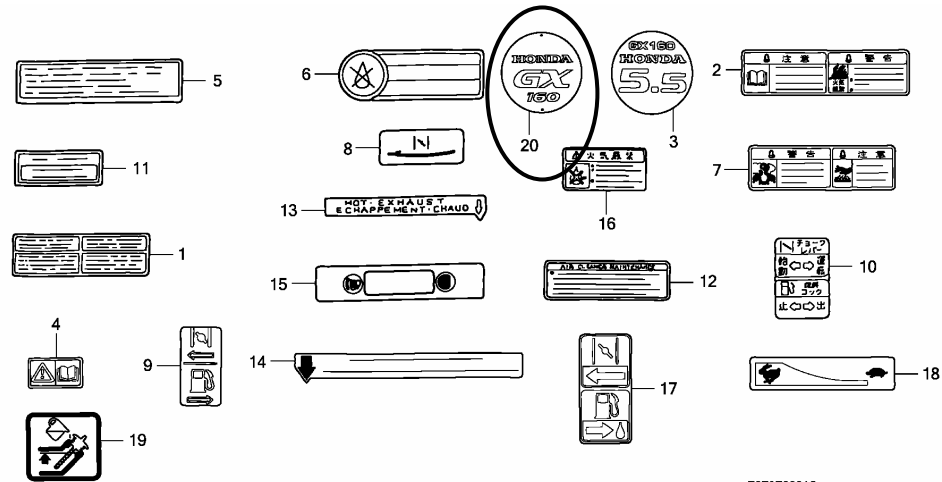
NOTE A:PART NO. CHANGE D:NEWLY PROVIDED E:PART NO. DELETION K:REQUIRED NO. CORRECTION L:APPLICATION SERIAL NO. CORRECTION
T:APPLICATION CORRECTION Z:REMARKS CHANGE

PARTS CATALOGUE NEWS

BOOKNo. : 13Z2F401

Block No.	Ref. No.	Note	Part No.	Description	Reqd. QTY		Serial No.	Parts catalogue code
					GX 160K1 (1)	GX 160K1 (2)		
		D	87521-ZH8-040	EMBLEM (GX160)	1	-	1314913 -----	HH, HX, KR, LD, LH, LHB3, LJ, LJC7, LJG, LSK, LX, NJ, NJG, NSJ, QAB3, QD QH, QHE, QHP1, QNZ, QP, QX, QXC, QXE, QXM1, RD, RH, RMD, RSS1, RX, RXE SCJ, SD, SH, SJ, SJC1, SJG, SMJ, SMJ1, SM11, SSK1, ST, STM, SX, SXE, TX VEBM, VED, VED1, VED3, VED4, VED5, VED7, VES, VMT, VTU1, VX, VXD1 VXK, VXM, WJP, WMBO, WMB1, WMK, WMT
					-	(1)	1314913	

E-28-1 LABEL (2)



Z2FOE2801C

E-28-1	3	L	87521-ZH8-030	EMBLEM (GX160 5.5)	1	-	-----	HG12, SWG4, VPM4, VPM5, VPM7, VPR4, VPR7, VSW4
					1	-	1314912	LJC7, SJC5, VSW3, VSW5, VSW6, VSX, VSX1, VSX3
	20	D	87521-ZH8-040	EMBLEM (GX160)	1	-	1314913 -----	LJC7, SJC5, VSW3, VSW5, VSW6, VSX, VSX1, VSX3

NOTE A:PART NO. CHANGE D:NEWLY PROVIDED E:PART NO.DELETION K:REQUIRED NO. CORRECTION L:APPLICATION SERIAL NO. CORRECTION
T:APPLICATION CORRECTION Z:REMARKS CHANGE



PARTS CATALOGUE NEWS

Honda Motor Co., Ltd. Service Division

PARTS CATALOGUE - CORRECTED

Printed in Japan

CODE NO.	BOOKLET TYPE	13Z2F401
	MICRO- FICHE	13Z2F4EA/FA
PARTS CATALOGUE NEWS	GX160K1 [GCAAK-100]	
NEWS NO.	033	

Block No.	Ref. No.	Note	Part No.	Description	Reqd. QTY		Serial No.	Parts catalogue code
					GX 160K1 (1)	GX 160K1 (2)		
E-12	2		19610-ZB2-601ZE	COVER COMP., FAN	1	-	-----	LSJ4, SHRY
				R280..... POWER RED	1	-	-----	1319328 SJC1, SJC5
			19610-ZE1-000ZC	*NH1*..... BLACK	1	(1)	-----	1317119 Q1, SSK1, S1, VED, VED4
					1	-	-----	EMA2, HB24, HX2, LA1, QMC8, QMX2, QSC9, QWA4, QX, QXC9, QX2, RH2, SG24, SMX4, SM12, SM14, SSX2, TX2, TX4, VED1, VED2, VED3, VED5, VED6, VED7, VEN2, VES6, VG24, VSD, VSX, VSX1, VS3, VS4, VWA2, VXD, VXD1
19610-ZE1-000ZG	*NH105*... MAT BLACK (#15-#20)	1	-	-----	QWX2, SWX2, SWX4, VSD7, VSW4, VWA2, VW12			
		1	-	-----	1317119 VSW3, VSW5, VSW6			

NOTE A:PART NO. CHANGE D:NEWLY PROVIDED E:PART NO.DELETION K:REQUIRED NO. CORRECTION L:APPLICATION SERIAL NO. CORRECTION
T:APPLICATION CORRECTION Z:REMARKS CHANGE

PARTS CATALOGUE NEWS

BOOKNo. : 13Z2F401

Block No.	Ref. No.	Note	Part No.	Description	Reqd. QTY		Serial No.	Parts catalogue code	
					GX 160K1 (1)	GX 160K1 (2)			
			19610-ZE1-000ZP	*R280* POWER RED	1	-	-----	BL, HG12, HH04, HH26, HX, HXU, HX2, HX26, HX4, KTA, LHB3, LHQ4, LJC7, LJS, LVL, LW2, LX, LXU, LX2, LX26, LX4, NDM4, NSJ, PHM, PX, PXU, QAX2, QA2, QA26, QBC2, QBT6, QCB2, QCL, QE, QFE4, QGR2, QGR9, QHP1, QHQ4, QH2, QH26, QI2, QMC6, QMC8, QMD6, QME4, QMH, QMX2, QMZ2, QNT, QNT4, QP, QPU, QSC9, QS2, QWA4, QX, QXC, QXC6, QXC9, QXF2, QXM1, QXS2, QXU, QX2, QX22, QX26, QX4, QX7, RD4, RHA2, RHQ4, RH2, RH26, RMB4, RMG2, RSK, RSS1, RTB2, RX, RXU, RX4, SCJ, SDS, SD16, SD4, SE, SG24, SHM, SHQ4, SMC7, SMC9, SMJ, SMJ1, SMW2, SMX4, SM11, SM12, SM14, STQ, SX, SXS4, SXU, SX4, SX7, S1CY, TCS2, TX, TXC9, TXU, TX2, TX26, TX4, UXU, VA2, VEBM, VED1, VED2, VED3, VED7, VES, VGE4, VG24, VHA7, VHH4, VMS4, VMS7, VMT, VPM4, VPM5, VPM7, VPR4, VPR7, VSB1, VSD, VSD7, VSG, VSW5, VSX, VSX1, VSX3, VS3, VTU1, VX, VXK, VXM, VXU, VXU1, VXW2, VX2, VX4, WDA6, WKD6, WKT2, WKT4, WKT6, WMB1, WME2, WME4	
					1	-	-----	1317119	HH, LD, LH, LJ, LJG, LSK, NJ, NJG, QAB3, QD, QH, QT, QVL, RD, RH, RMD, SD, SH, SJ, SJG, SNX, VED, VED4, WJP, WMBO, WMK, WMT
					-	(1)	-----	1317119	
	A		19610-ZB2-602ZE	*R280* POWER RED	1	-	1319329	-----	SJC1, SJC5
	A		19610-ZE1-010ZC	*NH1* BLACK	1	(1)	1317120	-----	Q1, SSK1, S1, VED, VED4
	A		19610-ZE1-010ZG	*NH105* MAT BLACK (#15-#20)	1	-	1317120	-----	VSW3, VSW5, VSW6
	A		19610-ZE1-010ZP	*R280* POWER RED	1	-	1317120	-----	HH, LD, LH, LJ, LJG, LSK, NJ, NJG, QAB3, QD, QH, QT, QVL, RD, RH, RMD, SD, SH, SJ, SJG, SNX, VED, VED4, WJP, WMBO, WMK, WMT
					-	(1)	1317120		
	5		19610-ZE1-830ZG	COVER COMP. , FAN (STARTER MOTOR) *R280* POWER RED	1	-	-----	-----	HXE2, HXE8, QKA4, QSC2, QXE2, QXE4, QXE6, QXE8, QXW, RXE2, RXE4, SXE4, VTH4, VXE4, VXE7
					1	-	-----	1320273	QHE, QXE, RXE, SXE
					-	(1)	-----	1320273	
	A		19610-ZE1-831ZG	*R280* POWER RED	1	-	1320274	-----	QHE, QXE, RXE, SXE
					-	(1)	1320274		

NOTE A:PART NO. CHANGE D:NEWLY PROVIDED E:PART NO.DELETION K:REQUIRED NO. CORRECTION L:APPLICATION SERIAL NO. CORRECTION
T:APPLICATION CORRECTION Z:REMARKS CHANGE



PARTS CATALOGUE NEWS

Honda Motor Co., Ltd. Service Division

PARTS CATALOGUE - CORRECTED

Printed in Japan

CODE NO.	BOOKLET TYPE	13Z2F401
	MICRO-FICHE	13Z2F4EA/FA
PARTS CATALOGUE NEWS	GX160K1 [GCAAK-100]	
NEWS NO.	034	

Block No.	Ref. No.	Note	Part No.	Description	Reqd. QTY		Serial No.	Parts catalogue code
					GX 160K1 (1)	GX 160K1 (2)		
E-12	4		19610-ZE1-820ZG	COVER COMP., FAN (STARTER MOTOR)				
				R280.....POWER RED	1	-	-----	SWG4
					1	-	-----	1326972 QNZ, SKM, SNX1, ST, STM
					-	(1)	-----	1326972
	A		19610-ZE1-821ZG	*R280*.....POWER RED	1	-	1326973 -----	QNZ, SKM, SNX1, ST, STM
					-	(1)	1326973	

NOTE A:PART NO. CHANGE D:NEWLY PROVIDED E:PART NO. DELETION K:REQUIRED NO. CORRECTION L:APPLICATION SERIAL NO. CORRECTION
T:APPLICATION CORRECTION Z:REMARKS CHANGE



PARTS CATALOGUE NEWS

Honda Motor Co., Ltd. Service Division

PARTS CATALOGUE - CORRECTED

Printed in Japan

CODE NO.	BOOKLET TYPE	13Z2F401
	MICRO- FICHE	13Z2F4EA/FA
PARTS CATALOGUE NEWS	GX160K1 [GCAAK-100]	
NEWS NO.	035	

Block No.	Ref. No.	Note	Part No.	Description	Reqd. QTY		Serial No.	Parts catalogue code	
					GX 160K1 (1)	GX 160K1 (2)			
E-8	1	L	13010-ZL0-003	RING SET, PISTON (STD.) (TEIKOKU)	1	-	-----	AR, ARC6, BL, EMA2, HB24, HG12, HHQ4, HH26, HXE2, HXE8, HXU, HX2 HX26, HX4, KTA, LA1, LHQ4, LSJ4, LVL, LW2, LXU, LX2, LX26, LX4, NDM4 PHM, PX, PXU, QAX2, QA2, QA26, QBC2, QBT6, QCB2, QCL, QE, QFE4, QGR2 QGR9, QHQ4, QH2, QH26, QI2, QKA4, QMC6, QMC8, QMD6, QME4, QMH, QMX2 QMZ2, QNT, QNT4, QPU, QSC2, QSC9, QS2, QT, QWA4, QWX2, QXC6, QXC9 QXE2, QXE4, QXE6, QXE8, QXF2, QXS2, QXU, QXW, QX2, QX22, QX26, QX4 QX7, RD4, RHA2, RHQ4, RH2, RH26, RMB4, RMG2, RSK, RTB2, RXE2, RXE4 RXU, RX4, SDS, SD16, SD4, SE, SG24, SHM, SHQ4, SHRY, SMC7, SMC9, SMW2 SMX4, SM12, SM14, SNX, SNX1, SSS2, STQ, SWG4, SWX2, SWX4, SXE4, SXS4 SXU, SX4, SX7, S1CY, TCS2, TXC9, TXU, TX2, TX26, TX4, UXU, VA2, VED2 VED6, VEN2, VES6, VGE4, VG24, VHA7, VHH4, VMS4, VMS7, VPM4, VPM5 VPM7, VPR4, VPR7, VSD, VSD1, VSD7, VSW4, VS17, VTH4, VWA2, VW12, VXD VXE4, VXE7, VXU, VXU1, VXW2, VX2, VX4, WDA6, WKD6, WKT2, WKT4, WKT6 WME2, WME4	
					1	-	-----	1314912	HH, HX, KR, LD, LH, LHB3, LJ, LJC7, LJG, LJS, LSK, LX, NJ, NJC1, NJG NSJ, QAB3, QD, QH, QHE, QHP1, QNZ, QP, QVL, QX, QXC, QXE, QXM1, RD, RH RMD, RSS1, RX, RXE, SCJ, SD, SH, SJ, SJC1, SJC5, SJG, SKM, SMJ, SMJ1 SM11, SSK1, ST, STM, SX, SXE, TX, VEBM, VED, VED1, VED3, VED4, VED5 VED7, VES, VMT, VSB1, VSG, VSW3, VSW5, VSW6, VSX, VSX1, VSX3, VS3 VS4, VTU1, VX, VXD1, VXX, VXM, WJP, WMB0, WMB1, WMK, WMT
					-	1	-----	1314912	

NOTE A:PART NO. CHANGE D:NEWLY PROVIDED E:PART NO. DELETION K:REQUIRED NO. CORRECTION L:APPLICATION SERIAL NO. CORRECTION
T:APPLICATION CORRECTION Z:REMARKS CHANGE

PARTS CATALOGUE NEWS

BOOKNo. : 13Z2F401

Block No.	Ref. No.	Note	Part No.	Description	Reqd. QTY		Serial No.	Parts catalogue code	
					GX 160K1 (1)	GX 160K1 (2)			
		L	13010-ZL0-004	RING SET, PISTON (STD.) (NIPPON)	1	-	-----	AR, ARC6, BL, EMA2, HB24, HG12, HHQ4, HH26, HXE2, HXE8, HXU, HX2, HX26, HX4, KTA, LA1, LHQ4, LSJ4, LVL, LW2, LXU, LX2, LX26, LX4, NDM4, PHM, PX, PXU, QAX2, QA2, QA26, QBC2, QBT6, QCB2, QCL, QE, QFE4, QGR2, QGR9, QHQ4, QH2, QH26, QI2, QKA4, QMC6, QMC8, QMD6, QME4, QMH, QMX2, QMZ2, QNT, QNT4, QPU, QSC2, QSC9, QS2, QT, QWA4, QWX2, QXC6, QXC9, QXE2, QXE4, QXE6, QXE8, QXF2, QXS2, QXU, QXW, QX2, QX22, QX26, QX4, QX7, RD4, RHA2, RHQ4, RH2, RH26, RMB4, RMG2, RSK, RTB2, RXE2, RXE4, RXU, RX4, SDS, SD16, SD4, SE, SG24, SHM, SHQ4, SHRY, SMC7, SMC9, SMW2, SMX4, SM12, SM14, SNX, SNX1, SSSX2, STQ, SWG4, SWX2, SWX4, SXE4, SXS4, SXU, SX4, SX7, S1CY, TCS2, TXC9, TXU, TX2, TX26, TX4, UXU, VA2, VED2, VED6, VEN2, VES6, VGE4, VG24, VHA7, VHH4, VMS4, VMS7, VPM4, VPM5, VPM7, VPR4, VPR7, VSD, VSD1, VSD7, VSW4, VS17, VTH4, VWA2, VW12, VXD, VXE4, VXE7, VXU, VXU1, VXW2, VX2, VX4, WDA6, WKD6, WKT2, WKT4, WKT6, WME2, WME4	
					1	-	-----	1314912	HH, HX, KR, LD, LH, LHB3, LJ, LJC7, LJG, LJS, LSK, LX, NJ, NJC1, NJG, NSJ, QAB3, QD, QH, QHE, QHP1, QNZ, QP, QVL, QX, QXC, QXE, QXM1, RD, RH, RMD, RSS1, RX, RXE, SCJ, SD, SH, SJ, SJC1, SJC5, SJG, SKM, SMJ, SMJ1, SM11, SSK1, ST, STM, SX, SXE, TX, VEBM, VED, VED1, VED3, VED4, VED5, VED7, VES, VMT, VSB1, VSG, VSW3, VSW5, VSW6, VSX, VSX1, VSX3, VS3, VS4, VTU1, VX, VXD1, VXX, VXM, WJP, WMBO, WMB1, WMK, WMT
					-	1	-----	1314912	
		L	13011-ZL0-003	RING SET, PISTON (0.25) (TEIKOKU)	(1)	-	-----	AR, ARC6, BL, EMA2, HB24, HG12, HHQ4, HH26, HXE2, HXE8, HXU, HX2, HX26, HX4, KTA, LA1, LHQ4, LSJ4, LVL, LW2, LXU, LX2, LX26, LX4, NDM4, PHM, PX, PXU, QAX2, QA2, QA26, QBC2, QBT6, QCB2, QCL, QE, QFE4, QGR2, QGR9, QHQ4, QH2, QH26, QI2, QKA4, QMC6, QMC8, QMD6, QME4, QMH, QMX2, QMZ2, QNT, QNT4, QPU, QSC2, QSC9, QS2, QT, QWA4, QWX2, QXC6, QXC9, QXE2, QXE4, QXE6, QXE8, QXF2, QXS2, QXU, QXW, QX2, QX22, QX26, QX4, QX7, RD4, RHA2, RHQ4, RH2, RH26, RMB4, RMG2, RSK, RTB2, RXE2, RXE4, RXU, RX4, SDS, SD16, SD4, SE, SG24, SHM, SHQ4, SHRY, SMC7, SMC9, SMW2, SMX4, SM12, SM14, SNX, SNX1, SSSX2, STQ, SWG4, SWX2, SWX4, SXE4, SXS4, SXU, SX4, SX7, S1CY, TCS2, TXC9, TXU, TX2, TX26, TX4, UXU, VA2, VED2, VED6, VEN2, VES6, VGE4, VG24, VHA7, VHH4, VMS4, VMS7, VPM4, VPM5, VPM7, VPR4, VPR7, VSD, VSD1, VSD7, VSW4, VS17, VTH4, VWA2, VW12, VXD, VXE4, VXE7, VXU, VXU1, VXW2, VX2, VX4, WDA6, WKD6, WKT2, WKT4, WKT6, WME2, WME4	
					(1)	-	-----	1314912	HH, HX, KR, LD, LH, LHB3, LJ, LJC7, LJG, LJS, LSK, LX, NJ, NJC1, NJG, NSJ, QAB3, QD, QH, QHE, QHP1, QNZ, QP, QVL, QX, QXC, QXE, QXM1, RD, RH, RMD, RSS1, RX, RXE, SCJ, SD, SH, SJ, SJC1, SJC5, SJG, SKM, SMJ, SMJ1, SM11, SSK1, ST, STM, SX, SXE, TX, VEBM, VED, VED1, VED3, VED4, VED5, VED7, VES, VMT, VSB1, VSG, VSW3, VSW5, VSW6, VSX, VSX1, VSX3, VS3, VS4, VTU1, VX, VXD1, VXX, VXM, WJP, WMBO, WMB1, WMK, WMT

NOTE A:PART NO. CHANGE D:NEWLY PROVIDED E:PART NO.DELETION K:REQUIRED NO. CORRECTION L:APPLICATION SERIAL NO. CORRECTION
T:APPLICATION CORRECTION Z:REMARKS CHANGE

PARTS CATALOGUE NEWS

BOOKNo. : 13Z2F401

Block No.	Ref. No.	Note	Part No.	Description	Reqd. QTY		Serial No.	Parts catalogue code
					GX 160K1 (1)	GX 160K1 (2)		
					-	(1)	----- 1314912	
		L	13011-ZL0-004	RING SET, PISTON (0.25) (NIPPON)	(1)	-	-----	AR, ARC6, BL, EMA2, HB24, HG12, HHQ4, HH26, HXE2, HXE8, HXU, HX2 HX26, HX4, KTA, LA1, LHQ4, LSJ4, LVL, LW2, LXU, LX2, LX26, LX4, NDM4 PHM, PX, PXU, QAX2, QA2, QA26, QBC2, QBT6, QCB2, QCL, QE, QFE4, QGR2 QGR9, QHQ4, QH2, QH26, QI2, QKA4, QMC6, QMC8, QMD6, QME4, QMH, QMX2 QMZ2, QNT, QNT4, QPU, QSC2, QSC9, QS2, QT, QWA4, QWX2, QXC6, QXC9 QXE2, QXE4, QXE6, QXE8, QXF2, QXS2, QXU, QXW, QX2, QX22, QX26, QX4 QX7, RD4, RHA2, RHQ4, RH2, RH26, RMB4, RMG2, RSK, RTB2, RXE2, RXE4 RXU, RX4, SDS, SD16, SD4, SE, SG24, SHM, SHQ4, SHRY, SMC7, SMC9, SMW2 SMX4, SM12, SM14, SNX, SNX1, SSX2, STQ, SWG4, SWX2, SWX4, SXE4, SXS4 SXU, SX4, SX7, S1CY, TCS2, TXC9, TXU, TX2, TX26, TX4, UXU, VA2, VED2 VED6, VEN2, VES6, VGE4, VG24, VHA7, VHH4, VMS4, VMS7, VPM4, VPM5 VPM7, VPR4, VPR7, VSD, VSD1, VSD7, VSW4, VS17, VTH4, VWA2, VW12, VXD VXE4, VXE7, VXU, VXU1, VXW2, VX2, VX4, WDA6, WKD6, WKT2, WKT4, WKT6 WME2, WME4
					(1)	-	----- 1314912	HH, HX, KR, LD, LH, LHB3, LJ, LJC7, LJG, LJS, LSK, LX, NJ, NJC1, NJG NSJ, QAB3, QD, QH, QHE, QHP1, QNZ, QP, QVL, QX, QXC, QXE, QXM1, RD, RH RMD, RSS1, RX, RXE, SCJ, SD, SH, SJ, SJC1, SJC5, SJG, SKM, SMJ, SMJ1 SM11, SSK1, ST, STM, SX, SXE, TX, VEBM, VED, VED1, VED3, VED4, VED5 VED7, VES, VMT, VSB1, VSG, VSW3, VSW5, VSW6, VSX, VSX1, VSX3, VS3 VS4, VTU1, VX, VXD1, VXX, VXM, WJP, WMB0, WMB1, WMK, WMT
					-	(1)	----- 1314912	
		L	13012-ZL0-003	RING SET, PISTON (0.50) (TEIKOKU)	(1)	-	-----	AR, ARC6, BL, EMA2, HB24, HG12, HHQ4, HH26, HXE2, HXE8, HXU, HX2 HX26, HX4, KTA, LA1, LHQ4, LSJ4, LVL, LW2, LXU, LX2, LX26, LX4, NDM4 PHM, PX, PXU, QAX2, QA2, QA26, QBC2, QBT6, QCB2, QCL, QE, QFE4, QGR2 QGR9, QHQ4, QH2, QH26, QI2, QKA4, QMC6, QMC8, QMD6, QME4, QMH, QMX2 QMZ2, QNT, QNT4, QPU, QSC2, QSC9, QS2, QT, QWA4, QWX2, QXC6, QXC9 QXE2, QXE4, QXE6, QXE8, QXF2, QXS2, QXU, QXW, QX2, QX22, QX26, QX4 QX7, RD4, RHA2, RHQ4, RH2, RH26, RMB4, RMG2, RSK, RTB2, RXE2, RXE4 RXU, RX4, SDS, SD16, SD4, SE, SG24, SHM, SHQ4, SHRY, SMC7, SMC9, SMW2 SMX4, SM12, SM14, SNX, SNX1, SSX2, STQ, SWG4, SWX2, SWX4, SXE4, SXS4 SXU, SX4, SX7, S1CY, TCS2, TXC9, TXU, TX2, TX26, TX4, UXU, VA2, VED2 VED6, VEN2, VES6, VGE4, VG24, VHA7, VHH4, VMS4, VMS7, VPM4, VPM5 VPM7, VPR4, VPR7, VSD, VSD1, VSD7, VSW4, VS17, VTH4, VWA2, VW12, VXD VXE4, VXE7, VXU, VXU1, VXW2, VX2, VX4, WDA6, WKD6, WKT2, WKT4, WKT6 WME2, WME4

NOTE A:PART NO. CHANGE D:NEWLY PROVIDED E:PART NO.DELETION K:REQUIRED NO. CORRECTION L:APPLICATION SERIAL NO. CORRECTION
T:APPLICATION CORRECTION Z:REMARKS CHANGE

PARTS CATALOGUE NEWS

BOOKNo. : 13Z2F401

Block No.	Ref. No.	Note	Part No.	Description	Reqd. QTY		Serial No.	Parts catalogue code
					GX 160K1 (1)	GX 160K1 (2)		
					(1)	-	----- 1314912	HH, HX, KR, LD, LH, LHB3, LJ, LJC7, LJG, LJS, LSK, LX, NJ, NJC1, NJG NSJ, QAB3, QD, QH, QHE, QHP1, QNZ, QP, QVL, QX, QXC, QXE, QXM1, RD, RH RMD, RSS1, RX, RXE, SCJ, SD, SH, SJ, SJC1, SJC5, SJG, SKM, SMJ, SMJ1 SM11, SSK1, ST, STM, SX, SXE, TX, VEBM, VED, VED1, VED3, VED4, VED5 VED7, VES, VMT, VSB1, VSG, VSW3, VSW5, VSW6, VSX, VSX1, VSX3, VS3 VS4, VTU1, VX, VXD1, VXX, VXM, WJP, WMB0, WMB1, WMK, WMT
					-	(1)	----- 1314912	
		L	13012-ZL0-004	RING SET, PISTON (0.50) (NIPPON)	(1)	-	-----	AR, ARC6, BL, EMA2, HB24, HG12, HHQ4, HH26, HXE2, HXE8, HXU, HX2 HX26, HX4, KTA, LA1, LHQ4, LSJ4, LVL, LW2, LXU, LX2, LX26, LX4, NDM4 PHM, PX, PXU, QAX2, QA2, QA26, QBC2, QBT6, QCB2, QCL, QE, QFE4, QGR2 QGR9, QHQ4, QH2, QH26, Q12, QKA4, QMC6, QMC8, QMD6, QME4, QMH, QMX2 QMZ2, QNT, QNT4, QPU, QSC2, QSC9, QS2, QT, QWA4, QWX2, QXC6, QXC9 QXE2, QXE4, QXE6, QXE8, QXF2, QXS2, QXU, QXW, QX2, QX22, QX26, QX4 QX7, RD4, RHA2, RHQ4, RH2, RH26, RMB4, RMG2, RSK, RTB2, RXE2, RXE4 RXU, RX4, SDS, SD16, SD4, SE, SG24, SHM, SHQ4, SHRY, SMC7, SMC9, SMW2 SMX4, SM12, SM14, SNX, SNX1, SSS2, STQ, SWG4, SWX2, SWX4, SXE4, SXS4 SXU, SX4, SX7, S1CY, TCS2, TXC9, TXU, TX2, TX26, TX4, UXU, VA2, VED2 VED6, VEN2, VES6, VGE4, VG24, VHA7, VHH4, VMS4, VMS7, VPM4, VPM5 VPM7, VPR4, VPR7, VSD, VSD1, VSD7, VSW4, VS17, VTH4, VWA2, VW12, VXD VXE4, VXE7, VXU, VXU1, VXW2, VX2, VX4, WDA6, WKD6, WKT2, WKT4, WKT6 WME2, WME4
					(1)	-	----- 1314912	HH, HX, KR, LD, LH, LHB3, LJ, LJC7, LJG, LJS, LSK, LX, NJ, NJC1, NJG NSJ, QAB3, QD, QH, QHE, QHP1, QNZ, QP, QVL, QX, QXC, QXE, QXM1, RD, RH RMD, RSS1, RX, RXE, SCJ, SD, SH, SJ, SJC1, SJC5, SJG, SKM, SMJ, SMJ1 SM11, SSK1, ST, STM, SX, SXE, TX, VEBM, VED, VED1, VED3, VED4, VED5 VED7, VES, VMT, VSB1, VSG, VSW3, VSW5, VSW6, VSX, VSX1, VSX3, VS3 VS4, VTU1, VX, VXD1, VXX, VXM, WJP, WMB0, WMB1, WMK, WMT
					-	(1)	----- 1314912	

NOTE A:PART NO. CHANGE D:NEWLY PROVIDED E:PART NO.DELETION K:REQUIRED NO. CORRECTION L:APPLICATION SERIAL NO. CORRECTION
T:APPLICATION CORRECTION Z:REMARKS CHANGE

PARTS CATALOGUE NEWS

BOOKNo. : 13Z2F401

Block No.	Ref. No.	Note	Part No.	Description	Reqd. QTY		Serial No.	Parts catalogue code	
					GX 160K1 (1)	GX 160K1 (2)			
		L	13013-ZL0-003	RING SET, PISTON (0.75) (TEIKOKU)	(1)	-	-----	AR, ARC6, BL, EMA2, HB24, HG12, HHQ4, HH26, HXE2, HXE8, HXU, HX2, HX26, HX4, KTA, LA1, LHQ4, LSJ4, LVL, LW2, LXU, LX2, LX26, LX4, NDM4, PHM, PX, PXU, QAX2, QA2, QA26, QBC2, QBT6, QCB2, QCL, QE, QFE4, QGR2, QGR9, QHQ4, QH2, QH26, QI2, QKA4, QMC6, QMC8, QMD6, QME4, QMH, QMX2, QMZ2, QNT, QNT4, QPU, QSC2, QSC9, QS2, QT, QWA4, QWX2, QXC6, QXC9, QXE2, QXE4, QXE6, QXE8, QXF2, QXS2, QXU, QXW, QX2, QX22, QX26, QX4, QX7, RD4, RHA2, RHQ4, RH2, RH26, RMB4, RMG2, RSK, RTB2, RXE2, RXE4, RXU, RX4, SDS, SD16, SD4, SE, SG24, SHM, SHQ4, SHRY, SMC7, SMC9, SMW2, SMX4, SM12, SM14, SNX, SNX1, SSS2, STQ, SWG4, SWX2, SWX4, SXE4, SXS4, SXU, SX4, SX7, S1CY, TCS2, TXC9, TXU, TX2, TX26, TX4, UXU, VA2, VED2, VED6, VEN2, VES6, VGE4, VG24, VHA7, VHH4, VMS4, VMS7, VPM4, VPM5, VPM7, VPR4, VPR7, VSD, VSD1, VSD7, VSW4, VS17, VTH4, VWA2, VW12, VXD, VXE4, VXE7, VXU, VXU1, VXW2, VX2, VX4, WDA6, WKD6, WKT2, WKT4, WKT6, WME2, WME4	
					(1)	-	-----	1314912	HH, HX, KR, LD, LH, LHB3, LJ, LJC7, LJG, LJS, LSK, LX, NJ, NJC1, NJG, NSJ, QAB3, QD, QH, QHE, QHP1, QNZ, QP, QVL, QX, QXC, QXE, QXM1, RD, RH, RMD, RSS1, RX, RXE, SCJ, SD, SH, SJ, SJC1, SJC5, SJG, SKM, SMJ, SMJ1, SM11, SSK1, ST, STM, SX, SXE, TX, VEBM, VED, VED1, VED3, VED4, VED5, VED7, VES, VMT, VSB1, VSG, VSW3, VSW5, VSW6, VSX, VSX1, VSX3, VS3, VS4, VTU1, VX, VXD1, VXX, VXM, WJP, WMBO, WMB1, WMK, WMT
					-	(1)	-----	1314912	
		L	13013-ZL0-004	RING SET, PISTON (0.75) (NIPPON)	(1)	-	-----	AR, ARC6, BL, EMA2, HB24, HG12, HHQ4, HH26, HXE2, HXE8, HXU, HX2, HX26, HX4, KTA, LA1, LHQ4, LSJ4, LVL, LW2, LXU, LX2, LX26, LX4, NDM4, PHM, PX, PXU, QAX2, QA2, QA26, QBC2, QBT6, QCB2, QCL, QE, QFE4, QGR2, QGR9, QHQ4, QH2, QH26, QI2, QKA4, QMC6, QMC8, QMD6, QME4, QMH, QMX2, QMZ2, QNT, QNT4, QPU, QSC2, QSC9, QS2, QT, QWA4, QWX2, QXC6, QXC9, QXE2, QXE4, QXE6, QXE8, QXF2, QXS2, QXU, QXW, QX2, QX22, QX26, QX4, QX7, RD4, RHA2, RHQ4, RH2, RH26, RMB4, RMG2, RSK, RTB2, RXE2, RXE4, RXU, RX4, SDS, SD16, SD4, SE, SG24, SHM, SHQ4, SHRY, SMC7, SMC9, SMW2, SMX4, SM12, SM14, SNX, SNX1, SSS2, STQ, SWG4, SWX2, SWX4, SXE4, SXS4, SXU, SX4, SX7, S1CY, TCS2, TXC9, TXU, TX2, TX26, TX4, UXU, VA2, VED2, VED6, VEN2, VES6, VGE4, VG24, VHA7, VHH4, VMS4, VMS7, VPM4, VPM5, VPM7, VPR4, VPR7, VSD, VSD1, VSD7, VSW4, VS17, VTH4, VWA2, VW12, VXD, VXE4, VXE7, VXU, VXU1, VXW2, VX2, VX4, WDA6, WKD6, WKT2, WKT4, WKT6, WME2, WME4	
					(1)	-	-----	1314912	HH, HX, KR, LD, LH, LHB3, LJ, LJC7, LJG, LJS, LSK, LX, NJ, NJC1, NJG, NSJ, QAB3, QD, QH, QHE, QHP1, QNZ, QP, QVL, QX, QXC, QXE, QXM1, RD, RH, RMD, RSS1, RX, RXE, SCJ, SD, SH, SJ, SJC1, SJC5, SJG, SKM, SMJ, SMJ1, SM11, SSK1, ST, STM, SX, SXE, TX, VEBM, VED, VED1, VED3, VED4, VED5, VED7, VES, VMT, VSB1, VSG, VSW3, VSW5, VSW6, VSX, VSX1, VSX3, VS3, VS4, VTU1, VX, VXD1, VXX, VXM, WJP, WMBO, WMB1, WMK, WMT

NOTE A:PART NO.CHANGE D:NEWLY PROVIDED E:PART NO.DELETION K:REQUIRED NO. CORRECTION L:APPLICATION SERIAL NO. CORRECTION
T:APPLICATION CORRECTION Z:REMARKS CHANGE

PARTS CATALOGUE NEWS

BOOKNo. : 13Z2F401

Block No.	Ref. No.	Note	Part No.	Description	Reqd. QTY		Serial No.	Parts catalogue code
					GX 160K1 (1)	GX 160K1 (2)		
					-	(1)	----- 1314912	
		D	13010-Z4K-004	RING SET, PISTON (STD.) (TEIKOKU)	1	-	1314913 -----	HH, HX, KR, LD, LH, LHB3, LJ, LJC7, LJG, LJS, LSK, LX, NJ, NJC1, NJG NSJ, QAB3, QD, QH, QHE, QHP1, QNZ, QP, QVL, QX, QXC, QXE, QXM1, RD, RH RMD, RSS1, RX, RXE, SCJ, SD, SH, SJ, SJC1, SJC5, SJG, SKM, SMJ, SMJ1 SM11, SSK1, ST, STM, SX, SXE, TX, VEBM, VED, VED1, VED3, VED4, VED5 VED7, VES, VMT, VSB1, VSG, VSW3, VSW5, VSW6, VSX, VSX1, VSX3, VS3 VS4, VTU1, VX, VXD1, VXX, VXM, WJP, WMB0, WMB1, WMK, WMT
					-	1	1314913	
		D	13011-Z4K-004	RING SET, PISTON (0.25) (TEIKOKU)	(1)	-	1314913 -----	HH, HX, KR, LD, LH, LHB3, LJ, LJC7, LJG, LJS, LSK, LX, NJ, NJC1, NJG NSJ, QAB3, QD, QH, QHE, QHP1, QNZ, QP, QVL, QX, QXC, QXE, QXM1, RD, RH RMD, RSS1, RX, RXE, SCJ, SD, SH, SJ, SJC1, SJC5, SJG, SKM, SMJ, SMJ1 SM11, SSK1, ST, STM, SX, SXE, TX, VEBM, VED, VED1, VED3, VED4, VED5 VED7, VES, VMT, VSB1, VSG, VSW3, VSW5, VSW6, VSX, VSX1, VSX3, VS3 VS4, VTU1, VX, VXD1, VXX, VXM, WJP, WMB0, WMB1, WMK, WMT
					-	(1)	1314913	
		D	13012-Z4K-004	RING SET, PISTON (0.50) (TEIKOKU)	(1)	-	1314913 -----	HH, HX, KR, LD, LH, LHB3, LJ, LJC7, LJG, LJS, LSK, LX, NJ, NJC1, NJG NSJ, QAB3, QD, QH, QHE, QHP1, QNZ, QP, QVL, QX, QXC, QXE, QXM1, RD, RH RMD, RSS1, RX, RXE, SCJ, SD, SH, SJ, SJC1, SJC5, SJG, SKM, SMJ, SMJ1 SM11, SSK1, ST, STM, SX, SXE, TX, VEBM, VED, VED1, VED3, VED4, VED5 VED7, VES, VMT, VSB1, VSG, VSW3, VSW5, VSW6, VSX, VSX1, VSX3, VS3 VS4, VTU1, VX, VXD1, VXX, VXM, WJP, WMB0, WMB1, WMK, WMT
					-	(1)	1314913	
		D	13013-Z4K-004	RING SET, PISTON (0.75) (TEIKOKU)	(1)	-	1314913 -----	HH, HX, KR, LD, LH, LHB3, LJ, LJC7, LJG, LJS, LSK, LX, NJ, NJC1, NJG NSJ, QAB3, QD, QH, QHE, QHP1, QNZ, QP, QVL, QX, QXC, QXE, QXM1, RD, RH RMD, RSS1, RX, RXE, SCJ, SD, SH, SJ, SJC1, SJC5, SJG, SKM, SMJ, SMJ1 SM11, SSK1, ST, STM, SX, SXE, TX, VEBM, VED, VED1, VED3, VED4, VED5 VED7, VES, VMT, VSB1, VSG, VSW3, VSW5, VSW6, VSX, VSX1, VSX3, VS3 VS4, VTU1, VX, VXD1, VXX, VXM, WJP, WMB0, WMB1, WMK, WMT
					-	(1)	1314913	

NOTE A:PART NO. CHANGE D:NEWLY PROVIDED E:PART NO.DELETION K:REQUIRED NO. CORRECTION L:APPLICATION SERIAL NO. CORRECTION
T:APPLICATION CORRECTION Z:REMARKS CHANGE

PARTS CATALOGUE NEWS

BOOKNo. : 13Z2F401

Block No.	Ref. No.	Note	Part No.	Description	Reqd. QTY		Serial No.	Parts catalogue code	
					GX 160K1 (1)	GX 160K1 (2)			
	2		13101-ZH8-010	PISTON (STD.)	1	-	-----	AR, ARC6, BL, EMA2, HB24, HG12, HHQ4, HH26, HXE2, HXE8, HXU, HX2 HX26, HX4, KTA, LA1, LHQ4, LSJ4, LVL, LW2, LXU, LX2, LX26, LX4, NDM4 PHM, PX, PXU, QAX2, QA2, QA26, QBC2, QBT6, QCB2, QCL, QE, QFE4, QGR2 QGR9, QHQ4, QH2, QH26, Q12, QKA4, QMC6, QMC8, QMD6, QME4, QMH, QMX2 QMZ2, QNT, QNT4, QPU, QSC2, QSC9, QS2, QWA4, QWX2, QXC6, QXC9, QXE2 QXE4, QXE6, QXE8, QXF2, QXS2, QXU, QXW, QX2, QX22, QX26, QX4, QX7 RD4, RHA2, RHQ4, RH2, RH26, RMB4, RMG2, RSK, RTB2, RXE2, RXE4, RXU RX4, SDS, SD16, SD4, SE, SG24, SHM, SHQ4, SHRY, SMC7, SMC9, SMW2 SMX4, SM12, SM14, SSSX2, STQ, SWG4, SWX2, SWX4, SXE4, SXS4, SXU, SX4 SX7, S1CY, TCS2, TXC9, TXU, TX2, TX26, TX4, UXU, VA2, VED2, VED6 VEN2, VES6, VGE4, VG24, VHA7, VHH4, VMS4, VMS7, VPM4, VPM5, VPM7 VPR4, VPR7, VSD, VSD1, VSD7, VSW4, VS17, VTH4, VWA2, VW12, VXD, VXE4 VXE7, VXU, VXU1, VXW2, VX2, VX4, WDA6, WKD6, WKT2, WKT4, WKT6, WME2 WME4	
					1	-	-----	1314912	HH, HX, KR, LD, LH, LHB3, LJ, LJC7, LJG, LJS, LSK, LX, NJ, NJC1, NJG NSJ, QAB3, QD, QH, QHE, QHP1, QNZ, QP, QVL, QX, QXC, QXE, QXM1, RD, RH RMD, RSS1, RX, RXE, SCJ, SD, SH, SJ, SJC1, SJC5, SJG, SKM, SMJ, SMJ1 SM11, SSK1, ST, STM, SX, SXE, TX, VEBM, VED, VED1, VED3, VED4, VED5 VED7, VES, VMT, VSB1, VSG, VSW3, VSW5, VSW6, VSX, VSX1, VSX3, VS3 VS4, VTU1, VX, VXD1, VXX, VXM, WJP, WMB0, WMB1, WMK, WMT
					-	1	-----	1314912	
			13102-ZH8-010	PISTON (0.25)	(1)	-	-----	AR, ARC6, BL, EMA2, HB24, HG12, HHQ4, HH26, HXE2, HXE8, HXU, HX2 HX26, HX4, KTA, LA1, LHQ4, LSJ4, LVL, LW2, LXU, LX2, LX26, LX4, NDM4 PHM, PX, PXU, QAX2, QA2, QA26, QBC2, QBT6, QCB2, QCL, QE, QFE4, QGR2 QGR9, QHQ4, QH2, QH26, Q12, QKA4, QMC6, QMC8, QMD6, QME4, QMH, QMX2 QMZ2, QNT, QNT4, QPU, QSC2, QSC9, QS2, QWA4, QWX2, QXC6, QXC9, QXE2 QXE4, QXE6, QXE8, QXF2, QXS2, QXU, QXW, QX2, QX22, QX26, QX4, QX7 RD4, RHA2, RHQ4, RH2, RH26, RMB4, RMG2, RSK, RTB2, RXE2, RXE4, RXU RX4, SDS, SD16, SD4, SE, SG24, SHM, SHQ4, SHRY, SMC7, SMC9, SMW2 SMX4, SM12, SM14, SSSX2, STQ, SWG4, SWX2, SWX4, SXE4, SXS4, SXU, SX4 SX7, S1CY, TCS2, TXC9, TXU, TX2, TX26, TX4, UXU, VA2, VED2, VED6 VEN2, VES6, VGE4, VG24, VHA7, VHH4, VMS4, VMS7, VPM4, VPM5, VPM7 VPR4, VPR7, VSD, VSD1, VSD7, VSW4, VS17, VTH4, VWA2, VW12, VXD, VXE4 VXE7, VXU, VXU1, VXW2, VX2, VX4, WDA6, WKD6, WKT2, WKT4, WKT6, WME2 WME4	
					(1)	-	-----	1314912	HH, HX, KR, LD, LH, LHB3, LJ, LJC7, LJG, LJS, LSK, LX, NJ, NJC1, NJG NSJ, QAB3, QD, QH, QHE, QHP1, QNZ, QP, QVL, QX, QXC, QXE, QXM1, RD, RH RMD, RSS1, RX, RXE, SCJ, SD, SH, SJ, SJC1, SJC5, SJG, SKM, SMJ, SMJ1 SM11, SSK1, ST, STM, SX, SXE, TX, VEBM, VED, VED1, VED3, VED4, VED5 VED7, VES, VMT, VSB1, VSG, VSW3, VSW5, VSW6, VSX, VSX1, VSX3, VS3 VS4, VTU1, VX, VXD1, VXX, VXM, WJP, WMB0, WMB1, WMK, WMT
					-	(1)	-----	1314912	

NOTE A:PART NO. CHANGE D:NEWLY PROVIDED E:PART NO. DELETION K:REQUIRED NO. CORRECTION L:APPLICATION SERIAL NO. CORRECTION
T:APPLICATION CORRECTION Z:REMARKS CHANGE

PARTS CATALOGUE NEWS

BOOKNo. : 13Z2F401

Block No.	Ref. No.	Note	Part No.	Description	Reqd. QTY		Serial No.	Parts catalogue code	
					GX 160K1 (1)	GX 160K1 (2)			
			13103-ZH8-010	PISTON (0.50)	(1)	-	-----	AR, ARC6, BL, EMA2, HB24, HG12, HHQ4, HH26, HXE2, HXE8, HXU, HX2 HX26, HX4, KTA, LA1, LHQ4, LSJ4, LVL, LW2, LXU, LX2, LX26, LX4, NDM4 PHM, PX, PXU, QAX2, QA2, QA26, QBC2, QBT6, QCB2, QCL, QE, QFE4, QGR2 QGR9, QHQ4, QH2, QH26, Q12, QKA4, QMC6, QMC8, QMD6, QME4, QMH, QMX2 QMZ2, QNT, QNT4, QPU, QSC2, QSC9, QS2, QWA4, QWX2, QXC6, QXC9, QXE2 QXE4, QXE6, QXE8, QXF2, QXS2, QXU, QXW, QX2, QX22, QX26, QX4, QX7 RD4, RHA2, RHQ4, RH2, RH26, RMB4, RMG2, RSK, RTB2, RXE2, RXE4, RXU RX4, SDS, SD16, SD4, SE, SG24, SHM, SHQ4, SHRY, SMC7, SMC9, SMW2 SMX4, SM12, SM14, SSS2, STQ, SWG4, SWX2, SWX4, SXE4, SXS4, SXU, SX4 SX7, S1CY, TCS2, TXC9, TXU, TX2, TX26, TX4, UXU, VA2, VED2, VED6 VEN2, VES6, VGE4, VG24, VHA7, VHH4, VMS4, VMS7, VPM4, VPM5, VPM7 VPR4, VPR7, VSD, VSD1, VSD7, VSW4, VS17, VTH4, VWA2, VW12, VXD, VXE4 VXE7, VXU, VXU1, VXW2, VX2, VX4, WDA6, WKD6, WKT2, WKT4, WKT6, WME2 WME4	
					(1)	-	-----	1314912	HH, HX, KR, LD, LH, LHB3, LJ, LJC7, LJG, LJS, LSK, LX, NJ, NJC1, NJG NSJ, QAB3, QD, QH, QHE, QHP1, QNZ, QP, QVL, QX, QXC, QXE, QXM1, RD, RH RMD, RSS1, RX, RXE, SCJ, SD, SH, SJ, SJC1, SJC5, SJG, SKM, SMJ, SMJ1 SM11, SSK1, ST, STM, SX, SXE, TX, VEBM, VED, VED1, VED3, VED4, VED5 VED7, VES, VMT, VSB1, VSG, VSW3, VSW5, VSW6, VSX, VSX1, VSX3, VS3 VS4, VTU1, VX, VXD1, VXX, VXM, WJP, WMB0, WMB1, WMK, WMT
					-	(1)	-----	1314912	
			13104-ZH8-010	PISTON (0.75)	(1)	-	-----	AR, ARC6, BL, EMA2, HB24, HG12, HHQ4, HH26, HXE2, HXE8, HXU, HX2 HX26, HX4, KTA, LA1, LHQ4, LSJ4, LVL, LW2, LXU, LX2, LX26, LX4, NDM4 PHM, PX, PXU, QAX2, QA2, QA26, QBC2, QBT6, QCB2, QCL, QE, QFE4, QGR2 QGR9, QHQ4, QH2, QH26, Q12, QKA4, QMC6, QMC8, QMD6, QME4, QMH, QMX2 QMZ2, QNT, QNT4, QPU, QSC2, QSC9, QS2, QWA4, QWX2, QXC6, QXC9, QXE2 QXE4, QXE6, QXE8, QXF2, QXS2, QXU, QXW, QX2, QX22, QX26, QX4, QX7 RD4, RHA2, RHQ4, RH2, RH26, RMB4, RMG2, RSK, RTB2, RXE2, RXE4, RXU RX4, SDS, SD16, SD4, SE, SG24, SHM, SHQ4, SHRY, SMC7, SMC9, SMW2 SMX4, SM12, SM14, SSS2, STQ, SWG4, SWX2, SWX4, SXE4, SXS4, SXU, SX4 SX7, S1CY, TCS2, TXC9, TXU, TX2, TX26, TX4, UXU, VA2, VED2, VED6 VEN2, VES6, VGE4, VG24, VHA7, VHH4, VMS4, VMS7, VPM4, VPM5, VPM7 VPR4, VPR7, VSD, VSD1, VSD7, VSW4, VS17, VTH4, VWA2, VW12, VXD, VXE4 VXE7, VXU, VXU1, VXW2, VX2, VX4, WDA6, WKD6, WKT2, WKT4, WKT6, WME2 WME4	
					(1)	-	-----	1314912	HH, HX, KR, LD, LH, LHB3, LJ, LJC7, LJG, LJS, LSK, LX, NJ, NJC1, NJG NSJ, QAB3, QD, QH, QHE, QHP1, QNZ, QP, QVL, QX, QXC, QXE, QXM1, RD, RH RMD, RSS1, RX, RXE, SCJ, SD, SH, SJ, SJC1, SJC5, SJG, SKM, SMJ, SMJ1 SM11, SSK1, ST, STM, SX, SXE, TX, VEBM, VED, VED1, VED3, VED4, VED5 VED7, VES, VMT, VSB1, VSG, VSW3, VSW5, VSW6, VSX, VSX1, VSX3, VS3 VS4, VTU1, VX, VXD1, VXX, VXM, WJP, WMB0, WMB1, WMK, WMT
					-	(1)	-----	1314912	

NOTE A:PART NO. CHANGE D:NEWLY PROVIDED E:PART NO.DELETION K:REQUIRED NO. CORRECTION L:APPLICATION SERIAL NO. CORRECTION
T:APPLICATION CORRECTION Z:REMARKS CHANGE

PARTS CATALOGUE NEWS

BOOKNo. : 13Z2F401

Block No.	Ref. No.	Note	Part No.	Description	Reqd. QTY		Serial No.	Parts catalogue code
					GX 160K1 (1)	GX 160K1 (2)		
		A	13101-ZH8-020	PISTON (STD.)	1	-	1314913 -----	HH, HX, KR, LD, LH, LHB3, LJ, LJC7, LJG, LJS, LSK, LX, NJ, NJC1, NJG NSJ, QAB3, QD, QH, QHE, QHP1, QNZ, QP, QVL, QX, QXC, QXE, QXM1, RD, RH RMD, RSS1, RX, RXE, SCJ, SD, SH, SJ, SJC1, SJC5, SJG, SKM, SMJ, SMJ1 SM11, SSK1, ST, STM, SX, SXE, TX, VEBM, VED, VED1, VED3, VED4, VED5 VED7, VES, VMT, VSB1, VSG, VSW3, VSW5, VSW6, VSX, VSX1, VSX3, VS3 VS4, VTU1, VX, VXD1, VXX, VXM, WJP, WMBO, WMB1, WMK, WMT
					-	1	1314913	
		A	13102-ZH8-020	PISTON (0.25)	(1)	-	1314913 -----	HH, HX, KR, LD, LH, LHB3, LJ, LJC7, LJG, LJS, LSK, LX, NJ, NJC1, NJG NSJ, QAB3, QD, QH, QHE, QHP1, QNZ, QP, QVL, QX, QXC, QXE, QXM1, RD, RH RMD, RSS1, RX, RXE, SCJ, SD, SH, SJ, SJC1, SJC5, SJG, SKM, SMJ, SMJ1 SM11, SSK1, ST, STM, SX, SXE, TX, VEBM, VED, VED1, VED3, VED4, VED5 VED7, VES, VMT, VSB1, VSG, VSW3, VSW5, VSW6, VSX, VSX1, VSX3, VS3 VS4, VTU1, VX, VXD1, VXX, VXM, WJP, WMBO, WMB1, WMK, WMT
					-	(1)	1314913	
		A	13103-ZH8-020	PISTON (0.50)	(1)	-	1314913 -----	HH, HX, KR, LD, LH, LHB3, LJ, LJC7, LJG, LJS, LSK, LX, NJ, NJC1, NJG NSJ, QAB3, QD, QH, QHE, QHP1, QNZ, QP, QVL, QX, QXC, QXE, QXM1, RD, RH RMD, RSS1, RX, RXE, SCJ, SD, SH, SJ, SJC1, SJC5, SJG, SKM, SMJ, SMJ1 SM11, SSK1, ST, STM, SX, SXE, TX, VEBM, VED, VED1, VED3, VED4, VED5 VED7, VES, VMT, VSB1, VSG, VSW3, VSW5, VSW6, VSX, VSX1, VSX3, VS3 VS4, VTU1, VX, VXD1, VXX, VXM, WJP, WMBO, WMB1, WMK, WMT
					-	(1)	1314913	
		A	13104-ZH8-020	PISTON (0.75)	(1)	-	1314913 -----	HH, HX, KR, LD, LH, LHB3, LJ, LJC7, LJG, LJS, LSK, LX, NJ, NJC1, NJG NSJ, QAB3, QD, QH, QHE, QHP1, QNZ, QP, QVL, QX, QXC, QXE, QXM1, RD, RH RMD, RSS1, RX, RXE, SCJ, SD, SH, SJ, SJC1, SJC5, SJG, SKM, SMJ, SMJ1 SM11, SSK1, ST, STM, SX, SXE, TX, VEBM, VED, VED1, VED3, VED4, VED5 VED7, VES, VMT, VSB1, VSG, VSW3, VSW5, VSW6, VSX, VSX1, VSX3, VS3 VS4, VTU1, VX, VXD1, VXX, VXM, WJP, WMBO, WMB1, WMK, WMT
					-	(1)	1314913	
E-17	17		17510-ZE1-020ZA	TANK COMP., FUEL *NH31*..... MCKINLEY WHITE	1	-	-----	BL, HG12, HHQ4, HH26, HXE2, HXE8, HXU, HX2, HX26, HX4, KTA, LHQ4 LSJ4, LVL, LW2, LXU, LX2, LX26, LX4, NDM4, PHM, PX, PXU, QAX2, QA2 QA26, QBC2, QBT6, QCB2, QE, QFE4, QGR2, QGR9, QHQ4, QH2, QH26, QI2 QKA4, QMC6, QMC8, QMD6, QME4, QMH, QMX2, QMZ2, QNT, QNT4, QPU, QSC9 QS2, QWA4, QXC6, QXC9, QXE2, QXE4, QXE6, QXE8, QXF2, QXS2, QXU, QXW QX2, QX22, QX26, QX4, QX7, RD4, RHQ4, RH2, RH26, RMB4, RSK, RTB2 RXE2, RXE4, RXU, RX4, SDS, SD16, SD4, SE, SG24, SHM, SHQ4, SHRY, SMC7 SMC9, SMW2, SMX4, SM12, SM14, SSX2, STQ, SXE4, SXS4, SXU, SX4, SX7 S1CY, TXC9, TXU, TX2, TX26, TX4, UXU, VA2, VED6, VG24, VMS4, VMS7 VSD, VSD7, VXD, VXE4, VXE7, VXU, VXU1, VX2, VX4, WDA6, WKD6, WKT2 WKT4, WKT6, WME2, WME4

NOTE A:PART NO.CHANGE D:NEWLY PROVIDED E:PART NO.DELETION K:REQUIRED NO. CORRECTION L:APPLICATION SERIAL NO. CORRECTION
T:APPLICATION CORRECTION Z:REMARKS CHANGE

PARTS CATALOGUE NEWS

BOOKNo. : 13Z2F401

Block No.	Ref. No.	Note	Part No.	Description	Reqd. QTY		Serial No.	Parts catalogue code
					GX 160K1 (1)	GX 160K1 (2)		
					1	-	----- 1342707	HH, HX, LD, LH, LHB3, LJ, LJC7, LX, NJ, QAB3, QD, QH, QHE, QHP1, QNZ, QP QT, QVL, QX, QXC, QXE, QXM1, RD, RH, RMD, RX, RXE, SCJ, SD, SH, SJ, SJC1 SJC5, SM11, SSK1, SX, SXE, TX, VEBM, VED, VED1, VED4, VSX, VSX1, VX VXD1, VXK, VXM, WJP, WMBO, WMB1, WMK, WMT
					-	(1)	----- 1342707	
			17510-ZE1-020ZF	*NH1* BLACK	1	(1)	----- 1342707	QX, Q1, SSK1, S1, VED, VED1, VSX, VSX1
					1	-	-----	HB24, HX2, QCB2, QMC8, QMX2, QNT, QSC9, QWA4, QWX2, QXC9, QXE2, QX2 RH2, SG24, SMX4, SM12, SM14, SSS2, TX2, TX4, VED6, VG24, VSD, VWA2
			17510-ZE1-020ZL	*T77* SEC WINE RED	1	-	----- 1342707	VSX, VSX1
			17510-ZE1-020ZN	*R280* POWER RED	1	-	-----	LA1
					1	-	----- 1342707	VSX, VSX1
	A		17510-ZE1-030ZA	*NH31* MCKINLEY WHITE	1	-	1342708 -----	HH, HX, LD, LH, LHB3, LJ, LJC7, LX, NJ, QAB3, QD, QH, QHE, QHP1, QNZ, QP QT, QVL, QX, QXC, QXE, QXM1, RD, RH, RMD, RX, RXE, SCJ, SD, SH, SJ, SJC1 SJC5, SM11, SSK1, SX, SXE, TX, VEBM, VED, VED1, VED4, VSX, VSX1, VX VXD1, VXK, VXM, WJP, WMBO, WMB1, WMK, WMT
					-	(1)	1342708	
	A		17510-ZE1-030ZF	*NH1* BLACK	1	(1)	1342708 -----	QX, Q1, SSK1, S1, VED, VED1, VSX, VSX1
	A		17510-ZE1-030ZL	*T77* SEC WINE RED	1	-	1342708 -----	VSX, VSX1
	A		17510-ZE1-030ZN	*R280* POWER RED	1	-	1342708 -----	VSX, VSX1

NOTE A:PART NO. CHANGE D:NEWLY PROVIDED E:PART NO.DELETION K:REQUIRED NO. CORRECTION L:APPLICATION SERIAL NO. CORRECTION
T:APPLICATION CORRECTION Z:REMARKS CHANGE



PARTS CATALOGUE NEWS

Honda Motor Co., Ltd. Service Division

PARTS CATALOGUE - CORRECTED

Printed in Japan

CODE NO.	BOOKLET TYPE	13Z2F401
	MICRO- FICHE	13Z2F4EA/FA
PARTS CATALOGUE NEWS	GX160K1 [GCAAK-100]	
NEWS NO.	036	

Block No.	Ref. No.	Note	Part No.	Description	Reqd. QTY		Serial No.	Parts catalogue code
					GX 160K1 (1)	GX 160K1 (2)		
E-2	14		95723-08060-00	BOLT, FLANGE, 8X60	4	-	-----	AR, ARC6, BL, EMA2, HB24, HG12, HHQ4, HH26, HXE2, HXE8, HXU, HX2 HX26, HX4, KTA, LA1, LHQ4, LSJ4, LVL, LW2, LXU, LX2, LX26, LX4, NDM4 PHM, PX, PXU, QAX2, QA2, QA26, QBC2, QBT6, QCB2, QCL, QE, QFE4, QGR2 QGR9, QHQ4, QH2, QH26, Q12, QKA4, QMC6, QMC8, QMD6, QME4, QMH, QMX2 QMZ2, QNT, QNT4, QPU, QSC2, QSC9, QS2, QWA4, QWX2, QXC6, QXC9, QXE2 QXE4, QXE6, QXE8, QXF2, QXS2, QXU, QXW, QX2, QX22, QX26, QX4, QX7 RD4, RHA2, RHQ4, RH2, RH26, RMB4, RMG2, RSK, RTB2, RXE2, RXE4, RXU RX4, SDS, SD16, SD4, SE, SG24, SHM, SHQ4, SHRY, SMC7, SMC9, SMW2 SMX4, SM12, SM14, SSX2, STQ, SWG4, SWX2, SWX4, SXE4, SXS4, SXU, SX4 SX7, S1CY, TCS2, TXC9, TXU, TX2, TX26, TX4, UXU, VA2, VED2, VED6 VEN2, VES6, VGE4, VG24, VHA7, VHH4, VMS4, VMS7, VPM4, VPM5, VPM7 VPR4, VPR7, VSD, VSD1, VSD7, VSW4, VS17, VTH4, VWA2, VW12, VXD, VXE4 VXE7, VXU, VXU1, VXW2, VX2, VX4, WDA6, WKD6, WKT2, WKT4, WKT6, WME2 WME4
					4	-	----- 1349664	HH, HX, KR, LD, LH, LHB3, LJ, LJC7, LJG, LJS, LSK, LX, NJ, NJC1, NJG NSJ, QAB3, QD, QH, QHE, QHP1, QNZ, QP, QT, QVL, QX, QXC, QXE, QXM1, RD RH, RMD, RSS1, RX, RXE, SCJ, SD, SH, SJ, SJC1, SJC5, SJG, SKM, SMJ SMJ1, SM11, SNX, SNX1, SSK1, ST, STM, SX, SXE, TX, VEBM, VED, VED1 VED3, VED4, VED5, VED7, VES, VMT, VSB1, VSG, VSW3, VSW5, VSW6, VSX VSX1, VSX3, VS3, VS4, VTU1, VX, VXD1, VVK, VXM, WJP, WMBO, WMB1, WMK WMT
					-	4	----- 1349664	

NOTE A:PART NO. CHANGE D:NEWLY PROVIDED E:PART NO.DELETION K:REQUIRED NO. CORRECTION L:APPLICATION SERIAL NO. CORRECTION
T:APPLICATION CORRECTION Z:REMARKS CHANGE

PARTS CATALOGUE NEWS

BOOKNo. : 13Z2F401

Block No.	Ref. No.	Note	Part No.	Description	Reqd. QTY		Serial No.	Parts catalogue code
					GX 160K1 (1)	GX 160K1 (2)		
		A	95701-08060-00	4	-	1349665	----- HH, HX, KR, LD, LH, LHB3, LJ, LJC7, LJG, LJS, LSK, LX, NJ, NJC1, NJG NSJ, QAB3, QD, QH, QHE, QHP1, QNZ, QP, QT, QVL, QX, QXC, QXE, QXM1, RD RH, RMD, RSS1, RX, RXE, SCJ, SD, SH, SJ, SJC1, SJC5, SJG, SKM, SMJ SMJ1, SM11, SNX, SNX1, SSK1, ST, STM, SX, SXE, TX, VEBM, VED, VED1 VED3, VED4, VED5, VED7, VES, VMT, VSB1, VSG, VSW3, VSW5, VSW6, VSX VSX1, VSX3, VS3, VS4, VTU1, VX, VXD1, VXK, VXM, WJP, WMBO, WMB1, WMK WMT
					-	4	1349665	
E-8	1	L	13010-ZL0-003	RING SET, PISTON (STD.) (TEIKOKU)	1	-	-----	-----
					1	-	-----	1314912
					1	-	-----	1335725
					-	1	-----	1314912
								AR, ARC6, BL, EMA2, HB24, HG12, HHQ4, HH26, HXE2, HXE8, HXU, HX2 HX26, HX4, KTA, LA1, LHQ4, LSJ4, LVL, LW2, LXU, LX2, LX26, LX4, NDM4 PHM, PX, PXU, QAX2, QA2, QA26, QBC2, QBT6, QCB2, QCL, QE, QFE4, QGR2 QGR9, QHQ4, QH2, QH26, QI2, QKA4, QMC6, QMC8, QMD6, QME4, QMH, QMX2 QMZ2, QNT, QNT4, QPU, QSC2, QSC9, QS2, QWA4, QWX2, QXC6, QXC9, QXE2 QXE4, QXE6, QXE8, QXF2, QXS2, QXU, QXW, QX2, QX22, QX26, QX4, QX7 RD4, RHA2, RHQ4, RH2, RH26, RMB4, RMG2, RSK, RTB2, RXE2, RXE4, RXU RX4, SDS, SD16, SD4, SE, SG24, SHM, SHQ4, SHRY, SMC7, SMC9, SMW2 SMX4, SM12, SM14, SSS2, STQ, SWG4, SWX2, SWX4, SXE4, SXS4, SXU, SX4 SX7, S1CY, TCS2, TXC9, TXU, TX2, TX26, TX4, UXU, VA2, VED2, VED6 VEN2, VES6, VGE4, VG24, VHA7, VHH4, VMS4, VMS7, VPM4, VPM5, VPM7 VPR4, VPR7, VSD, VSD1, VSD7, VSW4, VS17, VTH4, VWA2, VW12, VXD, VXE4 VXE7, VXU, VXU1, VXW2, VX2, VX4, WDA6, WKD6, WKT2, WKT4, WKT6, WME2 WME4
								HH, HX, KR, LD, LH, LHB3, LJ, LJC7, LJG, LJS, LSK, LX, NJ, NJC1, NJG NSJ, QAB3, QD, QH, QHE, QHP1, QNZ, QP, QVL, QX, QXC, QXE, QXM1, RD, RH RMD, RSS1, RX, RXE, SCJ, SD, SH, SJ, SJC1, SJC5, SJG, SKM, SMJ, SMJ1 SM11, SSK1, ST, STM, SX, SXE, TX, VEBM, VED, VED1, VED3, VED4, VED5 VED7, VES, VMT, VSB1, VSG, VSW3, VSW5, VSW6, VSX, VSX1, VSX3, VS3 VS4, VTU1, VX, VXD1, VXK, VXM, WJP, WMBO, WMB1, WMK, WMT
								QT, SNX, SNX1

NOTE A:PART NO. CHANGE D:NEWLY PROVIDED E:PART NO.DELETION K:REQUIRED NO. CORRECTION L:APPLICATION SERIAL NO. CORRECTION
T:APPLICATION CORRECTION Z:REMARKS CHANGE

PARTS CATALOGUE NEWS

BOOKNo. : 13Z2F401

Block No.	Ref. No.	Note	Part No.	Description	Reqd. QTY		Serial No.	Parts catalogue code	
					GX 160K1 (1)	GX 160K1 (2)			
		L	13010-ZL0-004	RING SET, PISTON (STD.) (NIPPON)	1	-	-----	AR, ARC6, BL, EMA2, HB24, HG12, HHQ4, HH26, HXE2, HXE8, HXU, HX2, HX26, HX4, KTA, LA1, LHQ4, LSJ4, LVL, LW2, LXU, LX2, LX26, LX4, NDM4, PHM, PX, PXU, QAX2, QA2, QA26, QBC2, QBT6, QCB2, QCL, QE, QFE4, QGR2, QGR9, QHQ4, QH2, QH26, QI2, QKA4, QMC6, QMC8, QMD6, QME4, QMH, QMX2, QMZ2, QNT, QNT4, QPU, QSC2, QSC9, QS2, QWA4, QWX2, QXC6, QXC9, QXE2, QXE4, QXE6, QXE8, QXF2, QXS2, QXU, QXW, QX2, QX22, QX26, QX4, QX7, RD4, RHA2, RHQ4, RH2, RH26, RMB4, RMG2, RSK, RTB2, RXE2, RXE4, RXU, RX4, SDS, SD16, SD4, SE, SG24, SHM, SHQ4, SHRY, SMC7, SMC9, SMW2, SMX4, SM12, SM14, SSS2, STQ, SWG4, SWX2, SWX4, SXE4, SXS4, SXU, SX4, SX7, S1CY, TCS2, TXC9, TXU, TX2, TX26, TX4, UXU, VA2, VED2, VED6, VEN2, VES6, VGE4, VG24, VHA7, VHH4, VMS4, VMS7, VPM4, VPM5, VPM7, VPR4, VPR7, VSD, VSD1, VSD7, VSW4, VS17, VTH4, VWA2, VW12, VXD, VXE4, VXE7, VXU, VXU1, VXW2, VX2, VX4, WDA6, WKD6, WKT2, WKT4, WKT6, WME2, WME4	
					1	-	-----	1314912	HH, HX, KR, LD, LH, LHB3, LJ, LJC7, LJG, LJS, LSK, LX, NJ, NJC1, NJG, NSJ, QAB3, QD, QH, QHE, QHP1, QNZ, QP, QVL, QX, QXC, QXE, QXM1, RD, RH, RMD, RSS1, RX, RXE, SCJ, SD, SH, SJ, SJC1, SJC5, SJG, SKM, SMJ, SMJ1, SM11, SSK1, ST, STM, SX, SXE, TX, VEBM, VED, VED1, VED3, VED4, VED5, VED7, VES, VMT, VSB1, VSG, VSW3, VSW5, VSW6, VSX, VSX1, VSX3, VS4, VTU1, VX, VXD1, VXX, VXM, WJP, WMBO, WMB1, WMK, WMT
					1	-	-----	1335725	QT, SNX, SNX1
					-	1	-----	1314912	
		L	13011-ZL0-003	RING SET, PISTON (0.25) (TEIKOKU)	(1)	-	-----	AR, ARC6, BL, EMA2, HB24, HG12, HHQ4, HH26, HXE2, HXE8, HXU, HX2, HX26, HX4, KTA, LA1, LHQ4, LSJ4, LVL, LW2, LXU, LX2, LX26, LX4, NDM4, PHM, PX, PXU, QAX2, QA2, QA26, QBC2, QBT6, QCB2, QCL, QE, QFE4, QGR2, QGR9, QHQ4, QH2, QH26, QI2, QKA4, QMC6, QMC8, QMD6, QME4, QMH, QMX2, QMZ2, QNT, QNT4, QPU, QSC2, QSC9, QS2, QWA4, QWX2, QXC6, QXC9, QXE2, QXE4, QXE6, QXE8, QXF2, QXS2, QXU, QXW, QX2, QX22, QX26, QX4, QX7, RD4, RHA2, RHQ4, RH2, RH26, RMB4, RMG2, RSK, RTB2, RXE2, RXE4, RXU, RX4, SDS, SD16, SD4, SE, SG24, SHM, SHQ4, SHRY, SMC7, SMC9, SMW2, SMX4, SM12, SM14, SSS2, STQ, SWG4, SWX2, SWX4, SXE4, SXS4, SXU, SX4, SX7, S1CY, TCS2, TXC9, TXU, TX2, TX26, TX4, UXU, VA2, VED2, VED6, VEN2, VES6, VGE4, VG24, VHA7, VHH4, VMS4, VMS7, VPM4, VPM5, VPM7, VPR4, VPR7, VSD, VSD1, VSD7, VSW4, VS17, VTH4, VWA2, VW12, VXD, VXE4, VXE7, VXU, VXU1, VXW2, VX2, VX4, WDA6, WKD6, WKT2, WKT4, WKT6, WME2, WME4	

NOTE A:PART NO. CHANGE D:NEWLY PROVIDED E:PART NO.DELETION K:REQUIRED NO. CORRECTION L:APPLICATION SERIAL NO. CORRECTION
T:APPLICATION CORRECTION Z:REMARKS CHANGE

PARTS CATALOGUE NEWS

BOOKNo. : 13Z2F401

Block No.	Ref. No.	Note	Part No.	Description	Reqd. QTY		Serial No.	Parts catalogue code
					GX 160K1 (1)	GX 160K1 (2)		
					(1)	-	----- 1314912	HH, HX, KR, LD, LH, LHB3, LJ, LJC7, LJG, LJS, LSK, LX, NJ, NJC1, NJG NSJ, QAB3, QD, QH, QHE, QHP1, QNZ, QP, QVL, QX, QXC, QXE, QXM1, RD, RH RMD, RSS1, RX, RXE, SCJ, SD, SH, SJ, SJC1, SJC5, SJG, SKM, SMJ, SMJ1 SM11, SSK1, ST, STM, SX, SXE, TX, VEBM, VED, VED1, VED3, VED4, VED5 VED7, VES, VMT, VSB1, VSG, VSW3, VSW5, VSW6, VSX, VSX1, VSX3, VS3 VS4, VTU1, VX, VXD1, VXK, VXM, WJP, WMB0, WMB1, WMK, WMT
					(1)	-	----- 1335725	QT, SNX, SNX1
					-	(1)	----- 1314912	
		L	13011-ZL0-004	RING SET, PISTON (0.25) (NIPPON)	(1)	-	-----	AR, ARC6, BL, EMA2, HB24, HG12, HHQ4, HH26, HXE2, HXE8, HXU, HX2 HX26, HX4, KTA, LA1, LHQ4, LSJ4, LVL, LW2, LXU, LX2, LX26, LX4, NDM4 PHM, PX, PXU, QAX2, QA2, QA26, QBC2, QBT6, QCB2, QCL, QE, QFE4, QGR2 QGR9, QHQ4, QH2, QH26, Q12, QKA4, QMC6, QMC8, QMD6, QME4, QMH, QMX2 QMZ2, QNT, QNT4, QPU, QSC2, QSC9, QS2, QWA4, QWX2, QXC6, QXC9, QXE2 QXE4, QXE6, QXE8, QXF2, QXS2, QXU, QXW, QX2, QX22, QX26, QX4, QX7 RD4, RHA2, RHQ4, RH2, RH26, RMB4, RMG2, RSK, RTB2, RXE2, RXE4, RXU RX4, SDS, SD16, SD4, SE, SG24, SHM, SHQ4, SHRY, SMC7, SMC9, SMW2 SMX4, SM12, SM14, SSS2, STQ, SWG4, SWX2, SWX4, SXE4, SXS4, SXU, SX4 SX7, S1CY, TCS2, TXC9, TXU, TX2, TX26, TX4, UXU, VA2, VED2, VED6 VEN2, VES6, VGE4, VG24, VHA7, VHH4, VMS4, VMS7, VPM4, VPM5, VPM7 VPR4, VPR7, VSD, VSD1, VSD7, VSW4, VS17, VTH4, VWA2, VW12, VXD, VXE4 VXE7, VXU, VXU1, VXW2, VX2, VX4, WDA6, WKD6, WKT2, WKT4, WKT6, WME2 WME4
					(1)	-	----- 1314912	HH, HX, KR, LD, LH, LHB3, LJ, LJC7, LJG, LJS, LSK, LX, NJ, NJC1, NJG NSJ, QAB3, QD, QH, QHE, QHP1, QNZ, QP, QVL, QX, QXC, QXE, QXM1, RD, RH RMD, RSS1, RX, RXE, SCJ, SD, SH, SJ, SJC1, SJC5, SJG, SKM, SMJ, SMJ1 SM11, SSK1, ST, STM, SX, SXE, TX, VEBM, VED, VED1, VED3, VED4, VED5 VED7, VES, VMT, VSB1, VSG, VSW3, VSW5, VSW6, VSX, VSX1, VSX3, VS3 VS4, VTU1, VX, VXD1, VXK, VXM, WJP, WMB0, WMB1, WMK, WMT
					(1)	-	----- 1335725	QT, SNX, SNX1
					-	(1)	----- 1314912	

NOTE A:PART NO. CHANGE D:NEWLY PROVIDED E:PART NO.DELETION K:REQUIRED NO. CORRECTION L:APPLICATION SERIAL NO. CORRECTION
T:APPLICATION CORRECTION Z:REMARKS CHANGE

PARTS CATALOGUE NEWS

BOOKNo. : 13Z2F401

Block No.	Ref. No.	Note	Part No.	Description	Reqd. QTY		Serial No.	Parts catalogue code	
					GX 160K1 (1)	GX 160K1 (2)			
		L	13012-ZL0-003	RING SET, PISTON (0.50) (TEIKOKU)	(1)	-	-----	AR, ARC6, BL, EMA2, HB24, HG12, HHQ4, HH26, HXE2, HXE8, HXU, HX2, HX26, HX4, KTA, LA1, LHQ4, LSJ4, LVL, LW2, LXU, LX2, LX26, LX4, NDM4, PHM, PX, PXU, QAX2, QA2, QA26, QBC2, QBT6, QCB2, QCL, QE, QFE4, QGR2, QGR9, QHQ4, QH2, QH26, QI2, QKA4, QMC6, QMC8, QMD6, QME4, QMH, QMX2, QMZ2, QNT, QNT4, QPU, QSC2, QSC9, QS2, QWA4, QWX2, QXC6, QXC9, QXE2, QXE4, QXE6, QXE8, QXF2, QXS2, QXU, QXW, QX2, QX22, QX26, QX4, QX7, RD4, RHA2, RHQ4, RH2, RH26, RMB4, RMG2, RSK, RTB2, RXE2, RXE4, RXU, RX4, SDS, SD16, SD4, SE, SG24, SHM, SHQ4, SHRY, SMC7, SMC9, SMW2, SMX4, SM12, SM14, SSX2, STQ, SWG4, SWX2, SWX4, SXE4, SXS4, SXU, SX4, SX7, S1CY, TCS2, TXC9, TXU, TX2, TX26, TX4, UXU, VA2, VED2, VED6, VEN2, VES6, VGE4, VG24, VHA7, VHH4, VMS4, VMS7, VPM4, VPM5, VPM7, VPR4, VPR7, VSD, VSD1, VSD7, VSW4, VS17, VTH4, VWA2, VW12, VXD, VXE4, VXE7, VXU, VXU1, VXW2, VX2, VX4, WDA6, WKD6, WKT2, WKT4, WKT6, WME2, WME4	
					(1)	-	-----	1314912	HH, HX, KR, LD, LH, LHB3, LJ, LJC7, LJG, LJS, LSK, LX, NJ, NJC1, NJG, NSJ, QAB3, QD, QH, QHE, QHP1, QNZ, QP, QVL, QX, QXC, QXE, QXM1, RD, RH, RMD, RSS1, RX, RXE, SCJ, SD, SH, SJ, SJC1, SJC5, SJG, SKM, SMJ, SMJ1, SM11, SSK1, ST, STM, SX, SXE, TX, VEBM, VED, VED1, VED3, VED4, VED5, VED7, VES, VMT, VSB1, VSG, VSW3, VSW5, VSW6, VSX, VSX1, VSX3, VS3, VS4, VTU1, VX, VXD1, VXX, VXM, WJP, WMBO, WMB1, WMK, WMT
					(1)	-	-----	1335725	QT, SNX, SNX1
					-	(1)	-----	1314912	
		L	13012-ZL0-004	RING SET, PISTON (0.50) (NIPPON)	(1)	-	-----	AR, ARC6, BL, EMA2, HB24, HG12, HHQ4, HH26, HXE2, HXE8, HXU, HX2, HX26, HX4, KTA, LA1, LHQ4, LSJ4, LVL, LW2, LXU, LX2, LX26, LX4, NDM4, PHM, PX, PXU, QAX2, QA2, QA26, QBC2, QBT6, QCB2, QCL, QE, QFE4, QGR2, QGR9, QHQ4, QH2, QH26, QI2, QKA4, QMC6, QMC8, QMD6, QME4, QMH, QMX2, QMZ2, QNT, QNT4, QPU, QSC2, QSC9, QS2, QWA4, QWX2, QXC6, QXC9, QXE2, QXE4, QXE6, QXE8, QXF2, QXS2, QXU, QXW, QX2, QX22, QX26, QX4, QX7, RD4, RHA2, RHQ4, RH2, RH26, RMB4, RMG2, RSK, RTB2, RXE2, RXE4, RXU, RX4, SDS, SD16, SD4, SE, SG24, SHM, SHQ4, SHRY, SMC7, SMC9, SMW2, SMX4, SM12, SM14, SSX2, STQ, SWG4, SWX2, SWX4, SXE4, SXS4, SXU, SX4, SX7, S1CY, TCS2, TXC9, TXU, TX2, TX26, TX4, UXU, VA2, VED2, VED6, VEN2, VES6, VGE4, VG24, VHA7, VHH4, VMS4, VMS7, VPM4, VPM5, VPM7, VPR4, VPR7, VSD, VSD1, VSD7, VSW4, VS17, VTH4, VWA2, VW12, VXD, VXE4, VXE7, VXU, VXU1, VXW2, VX2, VX4, WDA6, WKD6, WKT2, WKT4, WKT6, WME2, WME4	

NOTE A:PART NO. CHANGE D:NEWLY PROVIDED E:PART NO.DELETION K:REQUIRED NO. CORRECTION L:APPLICATION SERIAL NO. CORRECTION
T:APPLICATION CORRECTION Z:REMARKS CHANGE

PARTS CATALOGUE NEWS

BOOKNo. : 13Z2F401

Block No.	Ref. No.	Note	Part No.	Description	Reqd. QTY		Serial No.	Parts catalogue code
					GX 160K1 (1)	GX 160K1 (2)		
					(1)	-	----- 1314912	HH, HX, KR, LD, LH, LHB3, LJ, LJC7, LJG, LJS, LSK, LX, NJ, NJC1, NJG NSJ, QAB3, QD, QH, QHE, QHP1, QNZ, QP, QVL, QX, QXC, QXE, QXM1, RD, RH RMD, RSS1, RX, RXE, SCJ, SD, SH, SJ, SJC1, SJC5, SJG, SKM, SMJ, SMJ1 SM11, SSK1, ST, STM, SX, SXE, TX, VEBM, VED, VED1, VED3, VED4, VED5 VED7, VES, VMT, VSB1, VSG, VSW3, VSW5, VSW6, VSX, VSX1, VSX3, VS3 VS4, VTU1, VX, VXD1, VXK, VXM, WJP, WMB0, WMB1, WMK, WMT
					(1)	-	----- 1335725	QT, SNX, SNX1
					-	(1)	----- 1314912	
		L	13013-ZL0-003	RING SET, PISTON (0.75) (TEIKOKU)	(1)	-	-----	AR, ARC6, BL, EMA2, HB24, HG12, HHQ4, HH26, HXE2, HXE8, HXU, HX2 HX26, HX4, KTA, LA1, LHQ4, LSJ4, LVL, LW2, LXU, LX2, LX26, LX4, NDM4 PHM, PX, PXU, QAX2, QA2, QA26, QBC2, QBT6, QCB2, QCL, QE, QFE4, QGR2 QGR9, QHQ4, QH2, QH26, Q12, QKA4, QMC6, QMC8, QMD6, QME4, QMH, QMX2 QMZ2, QNT, QNT4, QPU, QSC2, QSC9, QS2, QWA4, QWX2, QXC6, QXC9, QXE2 QXE4, QXE6, QXE8, QXF2, QXS2, QXU, QXW, QX2, QX22, QX26, QX4, QX7 RD4, RHA2, RHQ4, RH2, RH26, RMB4, RMG2, RSK, RTB2, RXE2, RXE4, RXU RX4, SDS, SD16, SD4, SE, SG24, SHM, SHQ4, SHRY, SMC7, SMC9, SMW2 SMX4, SM12, SM14, SSS2, STQ, SWG4, SWX2, SWX4, SXE4, SXS4, SXU, SX4 SX7, S1CY, TCS2, TXC9, TXU, TX2, TX26, TX4, UXU, VA2, VED2, VED6 VEN2, VES6, VGE4, VG24, VHA7, VHH4, VMS4, VMS7, VPM4, VPM5, VPM7 VPR4, VPR7, VSD, VSD1, VSD7, VSW4, VS17, VTH4, VWA2, VW12, VXD, VXE4 VXE7, VXU, VXU1, VXW2, VX2, VX4, WDA6, WKD6, WKT2, WKT4, WKT6, WME2 WME4
					(1)	-	----- 1314912	HH, HX, KR, LD, LH, LHB3, LJ, LJC7, LJG, LJS, LSK, LX, NJ, NJC1, NJG NSJ, QAB3, QD, QH, QHE, QHP1, QNZ, QP, QVL, QX, QXC, QXE, QXM1, RD, RH RMD, RSS1, RX, RXE, SCJ, SD, SH, SJ, SJC1, SJC5, SJG, SKM, SMJ, SMJ1 SM11, SSK1, ST, STM, SX, SXE, TX, VEBM, VED, VED1, VED3, VED4, VED5 VED7, VES, VMT, VSB1, VSG, VSW3, VSW5, VSW6, VSX, VSX1, VSX3, VS3 VS4, VTU1, VX, VXD1, VXK, VXM, WJP, WMB0, WMB1, WMK, WMT
					(1)	-	----- 1335725	QT, SNX, SNX1
					-	(1)	----- 1314912	

NOTE A:PART NO. CHANGE D:NEWLY PROVIDED E:PART NO.DELETION K:REQUIRED NO. CORRECTION L:APPLICATION SERIAL NO. CORRECTION
T:APPLICATION CORRECTION Z:REMARKS CHANGE

PARTS CATALOGUE NEWS

BOOKNo. : 13Z2F401

Block No.	Ref. No.	Note	Part No.	Description	Reqd. QTY		Serial No.	Parts catalogue code	
					GX 160K1 (1)	GX 160K1 (2)			
		L	13013-ZL0-004	RING SET, PISTON (0.75) (NIPPON)	(1)	-	-----	AR, ARC6, BL, EMA2, HB24, HG12, HHQ4, HH26, HXE2, HXE8, HXU, HX2, HX26, HX4, KTA, LA1, LHQ4, LSJ4, LVL, LW2, LXU, LX2, LX26, LX4, NDM4, PHM, PX, PXU, QAX2, QA2, QA26, QBC2, QBT6, QCB2, QCL, QE, QFE4, QGR2, QGR9, QHQ4, QH2, QH26, QI2, QKA4, QMC6, QMC8, QMD6, QME4, QMH, QMX2, QMZ2, QNT, QNT4, QPU, QSC2, QSC9, QS2, QWA4, QWX2, QXC6, QXC9, QXE2, QXE4, QXE6, QXE8, QXF2, QXS2, QXU, QXW, QX2, QX22, QX26, QX4, QX7, RD4, RHA2, RHQ4, RH2, RH26, RMB4, RMG2, RSK, RTB2, RXE2, RXE4, RXU, RX4, SDS, SD16, SD4, SE, SG24, SHM, SHQ4, SHRY, SMC7, SMC9, SMW2, SMX4, SM12, SM14, SSX2, STQ, SWG4, SWX2, SWX4, SXE4, SXS4, SXU, SX4, SX7, S1CY, TCS2, TXC9, TXU, TX2, TX26, TX4, UXU, VA2, VED2, VED6, VEN2, VES6, VGE4, VG24, VHA7, VHH4, VMS4, VMS7, VPM4, VPM5, VPM7, VPR4, VPR7, VSD, VSD1, VSD7, VSW4, VS17, VTH4, VWA2, VW12, VXD, VXE4, VXE7, VXU, VXU1, VXW2, VX2, VX4, WDA6, WKD6, WKT2, WKT4, WKT6, WME2, WME4	
					(1)	-	-----	1314912	HH, HX, KR, LD, LH, LHB3, LJ, LJC7, LJG, LJS, LSK, LX, NJ, NJC1, NJG, NSJ, QAB3, QD, QH, QHE, QHP1, QNZ, QP, QVL, QX, QXC, QXE, QXM1, RD, RH, RMD, RSS1, RX, RXE, SCJ, SD, SH, SJ, SJC1, SJC5, SJG, SKM, SMJ, SMJ1, SM11, SSK1, ST, STM, SX, SXE, TX, VEBM, VED, VED1, VED3, VED4, VED5, VED7, VES, VMT, VSB1, VSG, VSW3, VSW5, VSW6, VSX, VSX1, VSX3, VS3, VS4, VTU1, VX, VXD1, VXK, VXM, WJP, WMBO, WMB1, WMK, WMT
					(1)	-	-----	1335725	QT, SNX, SNX1
					-	(1)	-----	1314912	
		T	13010-Z4K-004	RING SET, PISTON (STD.) (TEIKOKU)	1	-	1314913	-----	HH, HX, KR, LD, LH, LHB3, LJ, LJC7, LJG, LJS, LSK, LX, NJ, NJC1, NJG, NSJ, QAB3, QD, QH, QHE, QHP1, QNZ, QP, QVL, QX, QXC, QXE, QXM1, RD, RH, RMD, RSS1, RX, RXE, SCJ, SD, SH, SJ, SJC1, SJC5, SJG, SKM, SMJ, SMJ1, SM11, SSK1, ST, STM, SX, SXE, TX, VEBM, VED, VED1, VED3, VED4, VED5, VED7, VES, VMT, VSB1, VSG, VSW3, VSW5, VSW6, VSX, VSX1, VSX3, VS3, VS4, VTU1, VX, VXD1, VXK, VXM, WJP, WMBO, WMB1, WMK, WMT
					1	-	1335726	-----	QT, SNX, SNX1
					-	1	1314913		
		T	13011-Z4K-004	RING SET, PISTON (0.25) (TEIKOKU)	(1)	-	1314913	-----	HH, HX, KR, LD, LH, LHB3, LJ, LJC7, LJG, LJS, LSK, LX, NJ, NJC1, NJG, NSJ, QAB3, QD, QH, QHE, QHP1, QNZ, QP, QVL, QX, QXC, QXE, QXM1, RD, RH, RMD, RSS1, RX, RXE, SCJ, SD, SH, SJ, SJC1, SJC5, SJG, SKM, SMJ, SMJ1, SM11, SSK1, ST, STM, SX, SXE, TX, VEBM, VED, VED1, VED3, VED4, VED5, VED7, VES, VMT, VSB1, VSG, VSW3, VSW5, VSW6, VSX, VSX1, VSX3, VS3, VS4, VTU1, VX, VXD1, VXK, VXM, WJP, WMBO, WMB1, WMK, WMT
					(1)	-	1335726	-----	QT, SNX, SNX1

NOTE A:PART NO. CHANGE D:NEWLY PROVIDED E:PART NO.DELETION K:REQUIRED NO. CORRECTION L:APPLICATION SERIAL NO. CORRECTION
T:APPLICATION CORRECTION Z:REMARKS CHANGE

PARTS CATALOGUE NEWS

BOOKNo. : 13Z2F401

Block No.	Ref. No.	Note	Part No.	Description	Reqd. QTY		Serial No.	Parts catalogue code
					GX 160K1 (1)	GX 160K1 (2)		
					-	(1)	1314913	
		T	13012-Z4K-004	RING SET, PISTON (0.50) (TEIKOKU)	(1)	-	1314913	----- HH, HX, KR, LD, LH, LHB3, LJ, LJC7, LJG, LJS, LSK, LX, NJ, NJC1, NJG NSJ, QAB3, QD, QH, QHE, QHP1, QNZ, QP, QVL, QX, QXC, QXE, QXM1, RD, RH RMD, RSS1, RX, RXE, SCJ, SD, SH, SJ, SJC1, SJC5, SJG, SKM, SMJ, SMJ1 SM11, SSK1, ST, STM, SX, SXE, TX, VEBM, VED, VED1, VED3, VED4, VED5 VED7, VES, VMT, VSB1, VSG, VSW3, VSW5, VSW6, VSX, VSX1, VSX3, VS3 VS4, VTU1, VX, VXD1, VXX, VXM, WJP, WMBO, WMB1, WMK, WMT
					(1)	-	1335726	----- QT, SNX, SNX1
					-	(1)	1314913	
		T	13013-Z4K-004	RING SET, PISTON (0.75) (TEIKOKU)	(1)	-	1314913	----- HH, HX, KR, LD, LH, LHB3, LJ, LJC7, LJG, LJS, LSK, LX, NJ, NJC1, NJG NSJ, QAB3, QD, QH, QHE, QHP1, QNZ, QP, QVL, QX, QXC, QXE, QXM1, RD, RH RMD, RSS1, RX, RXE, SCJ, SD, SH, SJ, SJC1, SJC5, SJG, SKM, SMJ, SMJ1 SM11, SSK1, ST, STM, SX, SXE, TX, VEBM, VED, VED1, VED3, VED4, VED5 VED7, VES, VMT, VSB1, VSG, VSW3, VSW5, VSW6, VSX, VSX1, VSX3, VS3 VS4, VTU1, VX, VXD1, VXX, VXM, WJP, WMBO, WMB1, WMK, WMT
					(1)	-	1335726	----- QT, SNX, SNX1
					-	(1)	1314913	
	2		13101-ZF1-020	PISTON (STD.)	1	-	----- 1335725	QT, SNX, SNX1
			13102-ZF1-020	PISTON (0.25)	(1)	-	----- 1335725	QT, SNX, SNX1
			13103-ZF1-020	PISTON (0.50)	(1)	-	----- 1335725	QT, SNX, SNX1
			13104-ZF1-020	PISTON (0.75)	(1)	-	----- 1335725	QT, SNX, SNX1
	A		13101-ZL0-020	PISTON (STD.)	1	-	----- 1335726	QT, SNX, SNX1
	A		13102-ZL0-020	PISTON (0.25)	(1)	-	----- 1335726	QT, SNX, SNX1
	A		13103-ZL0-020	PISTON (0.50)	(1)	-	----- 1335726	QT, SNX, SNX1
	A		13104-ZL0-020	PISTON (0.75)	(1)	-	----- 1335726	QT, SNX, SNX1

NOTE A:PART NO.CHANGE D:NEWLY PROVIDED E:PART NO.DELETION K:REQUIRED NO. CORRECTION L:APPLICATION SERIAL NO. CORRECTION
T:APPLICATION CORRECTION Z:REMARKS CHANGE

PARTS CATALOGUE NEWS

BOOKNo. : 13Z2F401

Block No.	Ref. No.	Note	Part No.	Description	Reqd. QTY		Serial No.	Parts catalogue code
					GX 160K1 (1)	GX 160K1 (2)		
PARTS NAME CORRECTED								
E-14-2	13	Z	16100-ZH8-W51	CARBURETOR ASSY. (BE65B B/C)	1	-	-----	HB24, HG12, HH, HHQ4, HH26, HX, HXE2, HXE8, HXU, HX2, HX26, HX4, KTA LH, LHB3, LHQ4, LX, LXU, LX2, LX26, LX4, PHM, PX, PXU, QAX2, QBC2 QBT6, QCB2, QCL, QGR2, QGR9, QH, QHE, QHP1, QHQ4, QH2, QH26, Q12 QKA4, QMC8, QMD6, QME4, QMH, QMX2, QMZ2, QNT, QP, QPU, QS2, QWA4 QWX2, QX, QXE, QXE2, QXE4, QXE6, QXE8, QXF2, QXS2, QXU, QXW, QX2 QX22, QX26, QX4, QX7, RH, RHA2, RHQ4, RH2, RH26, RMB4, RMG2, RSK RTB2, RX, RXE, RXE2, RXE4, RXU, RX4, SG24, SH, SHM, SHQ4, SMC7, SMC9 SMJ1, SMW2, SMX4, SM12, SM14, SSK1, SSS2, STQ, SWG4, SWX2, SWX4, SX SXE, SXE4, SXS4, SXU, SX4, SX7, S1CY, TCS2, TX, TXU, TX2, TX26, TX4 UXU, VA2, VGE4, VHA7, VHH4, VMS4, VMS7, VSD, VSD7, VVSX3, VWA2, VW12 VX, VXE4, VXE7, VXK, VXM, VXU1, VXW2, VX2, VX4, WDA6
E-28	5	L	87521-Z8K-801	EMBLEM (GX160 5.8)	1	-	-----	LVL
					1	-	-----	1333916 QVL
		D	87521-Z8K-803	EMBLEM (GX160)	1	-	1333917	----- QVL

NOTE A:PART NO. CHANGE D:NEWLY PROVIDED E:PART NO. DELETION K:REQUIRED NO. CORRECTION L:APPLICATION SERIAL NO. CORRECTION
T:APPLICATION CORRECTION Z:REMARKS CHANGE



PARTS CATALOGUE NEWS

Honda Motor Co., Ltd. Service Division

PARTS CATALOGUE - CORRECTED

Printed in Japan

CODE NO.	BOOKLET TYPE	13Z2F401
	MICRO-FICHE	13Z2F4EA/FA
PARTS CATALOGUE NEWS	GX160K1 [GCAAK-100]	
NEWS NO.	037	

Block No.	Ref. No.	Note	Part No.	Description	Reqd. QTY		Serial No.	Parts catalogue code
					GX 160K1 (1)	GX 160K1 (2)		
E-7	14		92000-08025-0A	BOLT, HEX., 8X25	1	(1)	----- 1347412	L1, RMD, RSS1, R1, S1
		A	92101-08025-0A	1	(1)	1347413 -----	L1, RMD, RSS1, R1, S1
E-12	14		34150-ZH7-003	ALERT UNIT, OIL	1	-	----- -----	SWG4, VTH4
					1	-	----- 1361665	SKM, SNX1
		A	34150-ZH7-013	1	-	1361666 -----	SKM, SNX1
	29		34150-ZH7-003	ALERT UNIT, OIL	1	(1)	----- -----	EMA2, HB24, HG12, HXU, HX2, HX26, HX4, LA1, LXU, LX2, LX26, LX4, L1 PX, PXU, QAX2, QBT6, QCL, QGR2, QGR9, Q12, QMC8, QMD6, QMH, QMX2, QNT QNT4, QSC9, QS2, QWA4, QWX2, QXC6, QXC9, QXF2, QXS2, QXU, QX2, QX22 QX26, QX4, QX7, RXU, RX4, R1, SG24, SMC7, SMC9, SMW2, SMX4, SM12 SM14, SSX2, SWX2, SWX4, SXS4, SXU, SX4, SX7, TCS2, TXC9, TXU, TX2 TX26, TX4, UXU, VA2, VED2, VED6, VEN2, VES6, VGE4, VG24, VHA7, VHH4 VMS4, VMS7, VPM4, VPM5, VPM7, VPR4, VPR7, VSD, VSD1, VSD7, VSW4 VS17, VWA2, VW12, VXD, VXU, VXU1, VXW2, VX2, VX4, WKD6, WKT2, WKT4 WKT6, WME2, W1
					1	(1)	----- 1361665	HX, LJC7, LX, QX, QXC, QXM1, Q1, RX, SJC1, SJC5, SMJ, SMJ1, SNX, SX, S1 TX, VEBM, VED1, VED3, VED5, VED7, VES, VMT, VSB1, VSG, VSW3, VSW5 VSW6, VSX, VSX1, VSX3, VS3, VS4, VTU1, VX, VXD1, VXX, VXM, WMT

NOTE A:PART NO. CHANGE D:NEWLY PROVIDED E:PART NO. DELETION K:REQUIRED NO. CORRECTION L:APPLICATION SERIAL NO. CORRECTION
T:APPLICATION CORRECTION Z:REMARKS CHANGE

PARTS CATALOGUE NEWS

BOOKNo. : 13Z2F401

Block No.	Ref. No.	Note	Part No.	Description	Reqd. QTY		Serial No.	Parts catalogue code
					GX 160K1 (1)	GX 160K1 (2)		
		A	34150-ZH7-013	1	(1)	1361666 -----	HX, LJC7, LX, QX, QXC, QXM1, Q1, RX, SJC1, SJC5, SMJ, SMJ1, SNX, SX, S1 TX, VEBM, VED1, VED3, VED5, VED7, VES, VMT, VSB1, VSG, VSW3, VSW5 VSW6, VSX, VSX1, VSX3, VS3, VS4, VTU1, VX, VXD1, VXK, VXM, WMT
E-20	1		30500-ZE1-063	COIL ASSY., IGNITION	1	-	-----	VES6
					1	-	----- 1346318	VED4, VED7, VSW6, VXK, WMB1, WMK
					1	-	1067685 -----	AR, ARC6, BL, EMA2, HB24, HG12, HHQ4, HH26, HXE2, HXE8, HXU, HX2 HX26, HX4, KTA, LA1, LHQ4, LSJ4, LVL, LW2, LXU, LX2, LX26, LX4, NDM4 PHM, PX, PXU, QAX2, QA2, QA26, QBC2, QBT6, QCB2, QCL, QE, QFE4, QGR2 QGR9, QHQ4, QH2, QH26, Q12, QKA4, QMC6, QMC8, QMD6, QME4, QMH, QMX2 QMZ2, QNT, QNT4, QPU, QSC2, QSC9, QS2, QWA4, QWX2, QXC6, QXC9, QXE2 QXE4, QXE6, QXE8, QXF2, QXS2, QXU, QXW, QX2, QX22, QX26, QX4, QX7 RD4, RHA2, RHQ4, RH2, RH26, RMB4, RMG2, RSK, RTB2, RXE2, RXE4, RXU RX4, SDS, SD16, SD4, SE, SG24, SHM, SHQ4, SHRY, SMC7, SMC9, SMW2 SMX4, SM12, SM14, SSS2, STQ, SWG4, SWX2, SWX4, SXE4, SXS4, SXU, SX4 SX7, S1CY, TCS2, TXC9, TXU, TX2, TX26, TX4, UXU, VA2, VED2, VED6 VEN2, VGE4, VG24, VHA7, VHH4, VMS4, VMS7, VPM4, VPM5, VPM7, VPR4 VPR7, VSD, VSD1, VSD7, VSW4, VS17, VTH4, VWA2, VW12, VXD, VXE4, VXE7 VXU, VXU1, VXW2, VX2, VX4, WDA6, WKD6, WKT2, WKT4, WKT6, WME2, WME4
					1	-	1067685 1346318	HH, HX, KR, LD, LH, LHB3, LJ, LJC7, LJG, LJS, LSK, LX, NJ, NJC1, NJG NSJ, QAB3, QD, QH, QHE, QHP1, QNZ, QP, QT, QVL, QX, QXC, QXE, QXM1, RD RH, RMD, RSS1, RX, RXE, SCJ, SD, SH, SJ, SJC1, SJC5, SJG, SKM, SMJ SMJ1, SM11, SNX, SNX1, SSK1, ST, STM, SX, SXE, TX, VEBM, VED, VED1 VED3, VED5, VES, VMT, VSB1, VSG, VSW3, VSW5, VSX, VSX1, VSX3, VS3 VS4, VTU1, VX, VXD1, VXM, WJP, WMBO, WMT
					-	(1)	1067685 1346318	
		A	30500-ZE1-073	1	-	1346319 -----	HH, HX, KR, LD, LH, LHB3, LJ, LJC7, LJG, LJS, LSK, LX, NJ, NJC1, NJG NSJ, QAB3, QD, QH, QHE, QHP1, QNZ, QP, QT, QVL, QX, QXC, QXE, QXM1, RD RH, RMD, RSS1, RX, RXE, SCJ, SD, SH, SJ, SJC1, SJC5, SJG, SKM, SMJ SMJ1, SM11, SNX, SNX1, SSK1, ST, STM, SX, SXE, TX, VEBM, VED, VED1 VED3, VED4, VED5, VED7, VES, VMT, VSB1, VSG, VSW3, VSW5, VSW6, VSX VSX1, VSX3, VS3, VS4, VTU1, VX, VXD1, VXK, VXM, WJP, WMBO, WMB1, WMK WMT
					-	(1)	1346319	
	8		31630-ZE1-003	COIL ASSY., CHARGE (1A)	1	-	-----	HXE2, HXE8, QKA4, QXE2, QXE4, QXE6, QXE8, RXE2, RXE4, SXE4, VXE4 VXE7
					1	-	----- 1347412	QHE, QXE, RXE, SNX1, ST, SXE
					-	(1)	----- 1347412	

NOTE A:PART NO. CHANGE D:NEWLY PROVIDED E:PART NO. DELETION K:REQUIRED NO. CORRECTION L:APPLICATION SERIAL NO. CORRECTION
T:APPLICATION CORRECTION Z:REMARKS CHANGE

PARTS CATALOGUE NEWS

BOOKNo. : 13Z2F401

Block No.	Ref. No.	Note	Part No.	Description	Reqd. QTY		Serial No.	Parts catalogue code
					GX 160K1 (1)	GX 160K1 (2)		
		A	31630-ZE1-013	1	-	1347413 -----	QHE, QXE, RXE, SNX1, ST, SXE
					-	(1)	1347413	
E-21	1		31204-ZE1-003	SWITCH COMP., STARTING MAGNET	1	(1)	-----	HXE2, HXE8, QHE, QKA4, QSC2, QXE2, QXE4, QXE6, QXE8, QXW, RXE, RXE2, RXE4, SWG4, SXE4, VTH4, VXE4, VXE7, W1
					1	(1)	----- 1371349	L1, QNZ, QXE, Q1, R1, SNX1, ST, STM, SXE, S1
		A	31204-ZE1-013	1	(1)	1371350 -----	L1, QNZ, QXE, Q1, R1, SNX1, ST, STM, SXE, S1

NOTE A:PART NO. CHANGE D:NEWLY PROVIDED E:PART NO.DELETION K:REQUIRED NO. CORRECTION L:APPLICATION SERIAL NO. CORRECTION
T:APPLICATION CORRECTION Z:REMARKS CHANGE



PARTS CATALOGUE NEWS

Honda Motor Co., Ltd. Service Division

Printed in Japan

CODE NO.	BOOKLET TYPE	13Z2F401
	MICRO- FICHE	13Z2F4EA/FA
PARTS CATALOGUE NEWS	GX160K1 [GCAAK-100]	
NEWS NO.	038	

GX160K1-SYA TYPE sales parts information

NOTE: This Parts Catalogue News explains only the parts of the different model that are produced to conform to addition of the GX160K1-SYA type.

As for the parts not listed on this Parts Catalogue News, use the parts of the GX160K1-SJ type.

•Models, parts catalogue codes and applicable serial numbers

Model	Type		Parts catalogue type	Applicable engine serial No.	Applicable carburetor identification No.
GX160K1	SJ	Base Type	SJ	GCAAK-1000001~	BE65C B
	SYA	Additional Type	SYA		BE65W A

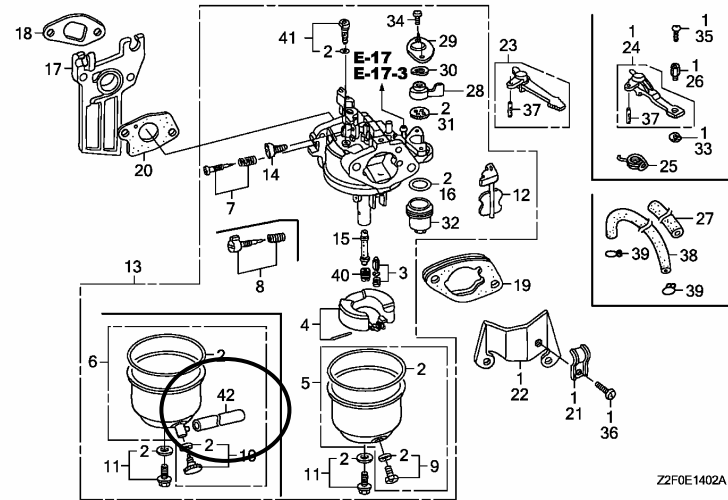
•Features of each type		Base type	Additional type								
<table border="1"> <tr> <td style="text-align: right;">Model</td> <td>GX160K1</td> </tr> <tr> <td style="text-align: right;">Type</td> <td>Standard equipment (1)</td> </tr> <tr> <td style="text-align: right;">Specifications</td> <td> <table border="1"> <tr> <td style="text-align: center;">SJ</td> <td style="text-align: center;">SYA</td> </tr> </table> </td> </tr> </table>		Model	GX160K1	Type	Standard equipment (1)	Specifications	<table border="1"> <tr> <td style="text-align: center;">SJ</td> <td style="text-align: center;">SYA</td> </tr> </table>	SJ	SYA		
		Model	GX160K1								
		Type	Standard equipment (1)								
Specifications	<table border="1"> <tr> <td style="text-align: center;">SJ</td> <td style="text-align: center;">SYA</td> </tr> </table>	SJ	SYA								
SJ	SYA										
Crankshaft	19mm Ø Straight										
	20mm Ø Straight	●	●								
	20mm Ø Spline										
	21mm Ø Spline										
	23mm Ø Spline										
	24mm Ø Spline										
	M16 Stepped thread										
	M18 Stepped thread										
	1/2" Stepped thread										
	3/4" Thread										
	5/8" Thread										
	1/5" Tapered										
	3/16" Tapered										
Coil	Lamp coil		●								
	Charge coil										
Control box											
Starter motor											
Oil alert											
Reduction											

PARTS CATALOGUE NEWS

BOOKNo. : 13Z2F401

Block No.	Ref. No.	Part No.	Description	Reqd. QTY		Base Part No.	Parts catalogue code
				GX 160K1 (1)	GX 160K1 (2)		
E-6	6	15600-ZE1-003	CAP ASSY., OIL FILLER (GRAY) .	1	-		
	7		CAP ASSY., OIL FILLER	0	-	15600-ZG4-003	
E-7	14		BOLT, HEX., 8X25	0	-	92101-08025-0A	
	15		WASHER, 8MM	0	-	90473-842-000	
	16		KEY, 5X5X33 (YELLOW)	0	-	90741-883-810	
E-12	6	19612-ZH8-821	PLATE, SIDE (LAMP)	1	-	19612-ZH8-000	
	15		SWITCH ASSY., ENGINE STOP	0	-	36100-ZE1-015	
	21	81329-567-020	GROMMET, DRAIN HOLE	1	-		

E-14-2 CARBURETOR (3)



E-14-2	2	16010-ZH7-A20	GASKET SET	1	-	16010-ZE1-812	
	5		CHAMBER SET, FLOAT	0	-	16015-ZE0-831	
	6	16015-ZK7-S91	CHAMBER SET, FLOAT	1	-		
	9		SCREW SET, DRAIN	0	-	16024-ZE1-811	

PARTS CATALOGUE NEWS

BOOKNo. : 13Z2F401

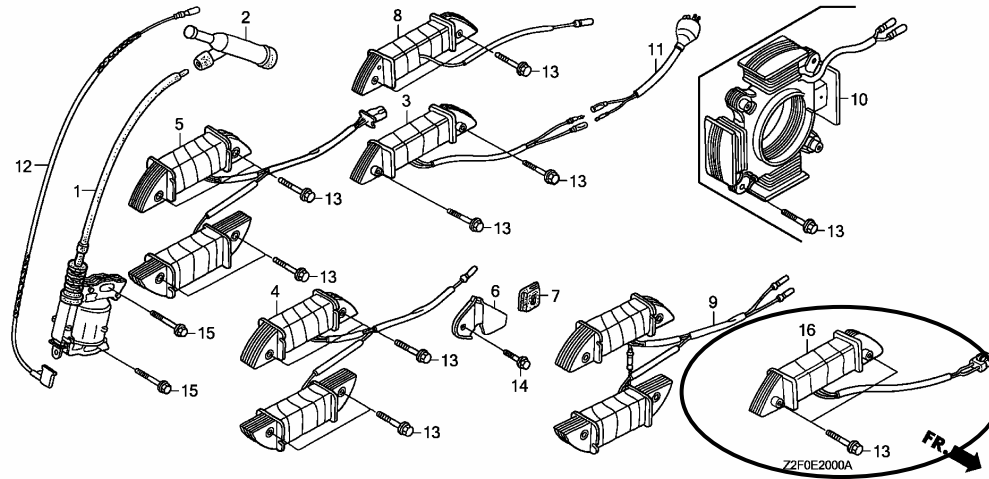
Block No.	Ref. No.	Part No.	Description	Reqd. QTY		Base Part No.	Parts catalogue code
				GX 160K1 (1)	GX 160K1 (2)		
	10	16024-ZH7-A20	SCREW SET, DRAIN	1	-		
	11	16028-ZK7-S91	SCREW SET	1	-	16028-ZE0-005	
	13	16100-Z2F-T01	CARBURETOR ASSY. (BE65W A) ...	1	-	16100-ZH8-W61	
	15	16166-Z2F-T01	NOZZLE, MAIN	1	-	16166-ZH8-W60	
	22	16598-ZE1-000	STAY, CHOKE CONTROL	1	-		
	23		LEVER COMP., CHOKE (STD.)	0	-	16610-ZE1-000	
	24	16610-ZE1-810	LEVER COMP., CHOKE (REMOTE) ..	1	-		
	40	99101-ZK7-0650	JET, MAIN, #65	(1)	-	99101-ZH8-0650	
		99101-ZK7-0680	JET, MAIN, #68	(1)	-	99101-ZH8-0680	
		99101-ZK7-0700	JET, MAIN, #70	1	-	99101-ZH8-0700	
	42	95003-10024-31	TUBE, VINYL, 5X8X240 (95003-10001-60M)	1	-		
E-16	2		MUFFLER COMP. (STD.)	0	-	18310-ZF1-000	
	4		PROTECTOR, MUFFLER (STD.) (BLACK)	0	-	18320-ZF1-H01	
	5		PROTECTOR, LOWER	0	-	18325-ZE1-010	
	9		GASKET, MUFFLER	0	-	18381-ZH8-800	
	19		SCREW, TAPPING, 5X8	0	-	90050-ZE1-000	
	23		SCREW, TAPPING, 4X6	0	-	90055-ZE1-000	
	27		NUT, HEX., 8MM	0	-	94001-08000-0S	
E-17	13		JOINT, FUEL TANK	0	-	16955-ZE1-000	
	17		TANK COMP., FUEL *NH31*.....MCKINLEY WHITE	0	-	17510-ZE1-030ZA	
	20		FILTER, FUEL	0	-	17672-ZE2-W01	
	23		BOLT, FLANGE, 6X29	0	-	90004-ZH7-003	
	27		O-RING, 14MM (NOK)	0	-	91353-671-004	

PARTS CATALOGUE NEWS

BOOKNo. : 13Z2F401

Block No.	Ref. No.	Part No.	Description	Reqd. QTY		Base Part No.	Parts catalogue code
				GX 160K1 (1)	GX 160K1 (2)		
	30		NUT, FLANGE, 6MM	0	-	94050-06000	
	32	17512-ZK7-S91	TUBE, FUEL	1	-	95001-45140-40	
	36	95002-02080	CLIP, TUBE (B8)	1	-	95002-02080	
E-19	7		FLYWHEEL COMP.	0	-	31100-ZE1-010	
	8	31100-ZE1-811	FLYWHEEL COMP. (LAMP)	1	-		

E-20 IGNITION COIL

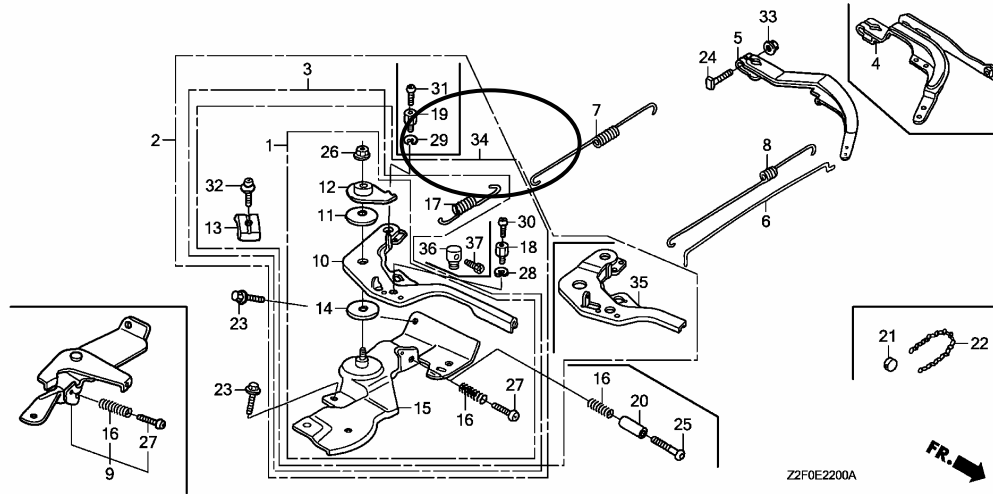


E-20	6	31511-ZE1-000	CLAMPER, CORD	1	-		
	7	31512-ZE1-000	GROMMET, CORD	1	-		
	12	36101-ZK7-S90	CORD, STOP SWITCH	1	-	36101-ZE1-010	
	13	90018-ZE1-000	BOLT, FLANGE, 6X23 (CT200)	2	-		
	14	90019-883-000	BOLT, FLANGE, 5X10	1	-		
	16	31510-ZK7-S91	COIL ASSY., LAMP (12V-15W) ...	1	-		

PARTS CATALOGUE NEWS

BOOKNo. : 13Z2F401

Block No.	Ref. No.	Part No.	Description	Reqd. QTY		Base Part No.	Parts catalogue code
				GX 160K1 (1)	GX 160K1 (2)		
E-22		CONTROL (1)					



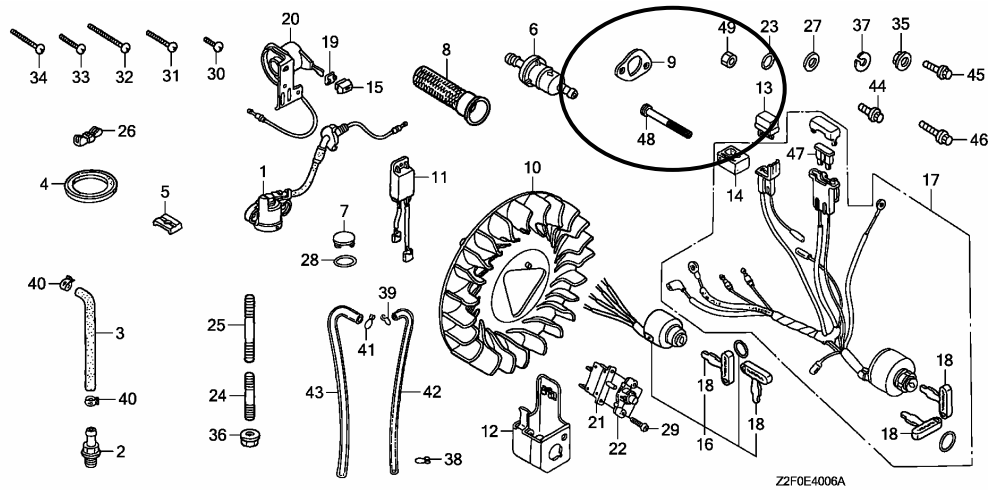
E-22	2	CONTROL ASSY. (REMOTE/INTERNAL)	0 -	16500-ZH8-813
	10	LEVER, CONTROL	0 -	16571-ZH8-020
	18	HOLDER, WIRE	0 -	16594-883-010
	30	SCREW, PAN, 4X6	0 -	93500-04006-0H
	34	16500-Z2F-T00 CONTROL ASSY.	1 -	
	35	16571-Z2F-T00 LEVER, CONTROL	1 -	
	36	16617-ZJ1-840 HOLDER, CABLE	1 -	
	37	92301-04006-0H BOLT, RECESSED, 4X6	1 -	
E-28	1	MARK A, COMBINATION	0 -	87520-ZH8-000
	5	EMBLEM (GX160)	0 -	87521-ZH8-040
	9	MARK B, COMBINATION	0 -	87526-ZH8-000

PARTS CATALOGUE NEWS

BOOKNo. : 13Z2F401

Block No.	Ref. No.	Part No.	Description	Reqd. QTY		Base Part No.	Parts catalogue code
				GX 160K1 (1)	GX 160K1 (2)		
	12		MARK, CHOKE	0	-	87528-ZE1-810	
	13		LABEL, SPECIFICATION	0	-	87530-ZH8-010	
	24		LABEL, WARNING (NOT CERTIFIED FOR SALE)	0	-	87114-ZH7-000	
E-29	10		WRENCH COMP., SPARK PLUG	0	-	89218-ZE1-000	

E-40-6 COMBINATION SWITCH



E-40-6	2	15550-ZK8-P90	JOINT, DRAIN	1	-		
	3	15552-ZK7-S90	TUBE, DRAIN	1	-		
	9	18381-ZH8-800	GASKET, MUFFLER	1	-		
	27	90601-ZE1-000	WASHER, DRAIN PLUG, 10.2MM ...	1	-		
	40	95002-41200-08	CLAMP, TUBE (D12)	2	-		
	48	16952-ZE6-000	STRAINER, FUEL	1	-		
	49	94001-08000-0S	NUT, HEX., 8MM	2	-		



PARTS CATALOGUE NEWS

Honda Motor Co., Ltd. Service Division

PARTS CATALOGUE - CORRECTED

Printed in Japan

CODE NO.	BOOKLET TYPE	13Z2F401
	MICRO-FICHE	13Z2F4EA/FA
PARTS CATALOGUE NEWS	GX160K1 [GCAAK-100]	
NEWS NO.	039	

Block No.	Ref. No.	Note	Part No.	Description	Reqd. QTY		Serial No.	Parts catalogue code	
					GX 160K1 (1)	GX 160K1 (2)			
E-3	2		15510-ZE1-033	SWITCH ASSY., OIL LEVEL	1	-	-----	EMA2, HB24, HG12, HXE2, HXE8, HXU, HX2, HX26, HX4, LA1, LXU, LX2 LX26, LX4, PX, PXU, QAX2, QBT6, QCL, QGR2, QGR9, Q12, QKA4, QMC8 QMD6, QMH, QMX2, QNT, QNT4, QSC2, QSC9, QS2, QWA4, QWX2, QXC6, QXC9 QXE2, QXE4, QXE6, QXE8, QXF2, QXS2, QXU, QXW, QX2, QX22, QX26, QX4 QX7, RXE, RXE2, RXE4, RXU, RX4, SG24, SMC7, SMC9, SMW2, SMX4, SM12 SM14, SSX2, SWG4, SWX2, SWX4, SXE4, SXS4, SXU, SX4, SX7, TCS2, TX TXC9, TXU, TX2, TX26, TX4, UXU, VA2, VED2, VED6, VEN2, VES6, VGE4 VG24, VHA7, VHH4, VMS4, VMS7, VPM4, VPM5, VPM7, VPR4, VPR7, VSD VSD1, VSD7, VSW4, VSX3, VS17, VTH4, VTU1, VWA2, VW12, VXD, VXE4 VXE7, VXU, VXU1, VXW2, VX2, VX4, WKD6, WKT2, WKT4, WKT6, WME2	
					1	-	-----	1359761	HX, LJC7, LX, QX, QXC, QXE, QXM1, RX, SJC1, SJC5, SKM, SMJ, SMJ1, SNX SNX1, SX, SXE, VEBM, VED1, VED3, VED5, VED7, VES, VMT, VSB1, VSG VSW3, VSW5, VSW6, VSX, VSX1, VS3, VS4, VX, VXD1, VXK, VXM, WMT
					-	(1)	-----	1359761	
					1	-	-----	1359762	HX, LJC7, LX, QX, QXC, QXE, QXM1, RX, SJC1, SJC5, SKM, SMJ, SMJ1, SNX SNX1, SX, SXE, VEBM, VED1, VED3, VED5, VED7, VES, VMT, VSB1, VSG VSW3, VSW5, VSW6, VSX, VSX1, VS3, VS4, VX, VXD1, VXK, VXM, WMT
	A		15510-ZE1-043	1	-	-----		
					-	(1)	-----	1359762	
E-40-6	1	A	15510-ZE2-043	SWITCH ASSY., OIL LEVEL	1	-	-----	1361018 SMJ	
			15510-ZE2-053	1	-	-----	1361019 SMJ	

NOTE A:PART NO. CHANGE D:NEWLY PROVIDED E:PART NO. DELETION K:REQUIRED NO. CORRECTION L:APPLICATION SERIAL NO. CORRECTION
T:APPLICATION CORRECTION Z:REMARKS CHANGE



PARTS CATALOGUE NEWS

Honda Motor Co., Ltd. Service Division

PARTS CATALOGUE - CORRECTED

Printed in Japan

CODE NO.	BOOKLET TYPE	13Z2F401
	MICRO- FICHE	13Z2F4EA/FA
PARTS CATALOGUE NEWS	GX160K1 [GCAAK-100]	
NEWS NO.	040	

Block No.	Ref. No.	Note	Part No.	Description	Reqd. QTY		Serial No.	Parts catalogue code
					GX 160K1 (1)	GX 160K1 (2)		
E-21	16		32410-ZE1-000	CORD, MAGNET SWITCH	1	-	-----	HXE2, HXE8, QHE, QKA4, QSC2, QXE2, QXE4, QXE6, QXE8, QXW, RXE, RXE2, RXE4, SWG4, SXE4, VTH4, VXE4, VXE7
					1	-	-----	1386986 QNZ, QXE, SKM, SNX1, ST, STM, SXE
					-	(1)	-----	1386986
					1	-	-----	1386987 QNZ, QXE, SKM, SNX1, ST, STM, SXE
		A	32410-ZE1-010	-	(1)	1386987	

NOTE A:PART NO. CHANGE D:NEWLY PROVIDED E:PART NO. DELETION K:REQUIRED NO. CORRECTION L:APPLICATION SERIAL NO. CORRECTION
T:APPLICATION CORRECTION Z:REMARKS CHANGE



PARTS CATALOGUE NEWS

Honda Motor Co., Ltd. Service Division

PARTS CATALOGUE - CORRECTED

Printed in Japan

CODE NO.	BOOKLET TYPE	13Z2F401
	MICRO-FICHE	13Z2F4EA/FA
PARTS CATALOGUE NEWS	GX160K1 [GCAAK-100]	
NEWS NO.	041	

Block No.	Ref. No.	Note	Part No.	Description	Reqd. QTY		Serial No.	Parts catalogue code
					GX 160K1 (1)	GX 160K1 (2)		

PARTS NAME CORRECTED

E-7	5	Z	13310-ZE1-610	CRANKSHAFT COMP. (L=209.5)	1	1	-----	LA1, LD, LH, LHB3, LHQ4, LJ, LJC7, LJG, LJS, LSJ4, LSK, LVL, LW2, LX, LXU, LX2, LX26, LX4, L1
-----	---	---	---------------	----------------------------	---	---	-------	-----------------------------------------------------------------------------------------------

NOTE A:PART NO. CHANGE D:NEWLY PROVIDED E:PART NO.DELETION K:REQUIRED NO. CORRECTION L:APPLICATION SERIAL NO. CORRECTION
T:APPLICATION CORRECTION Z:REMARKS CHANGE



PARTS CATALOGUE NEWS

Honda Motor Co., Ltd. Service Division

PARTS CATALOGUE - CORRECTED

Printed in Japan

CODE NO.	BOOKLET TYPE	13Z2F401
	MICRO-FICHE	13Z2F4EA/FA
PARTS CATALOGUE NEWS	GX160K1 [GCAAK-100]	
NEWS NO.	042	

Block No.	Ref. No.	Note	Part No.	Description	Reqd. QTY		Serial No.	Parts catalogue code
					GX 160K1 (1)	GX 160K1 (2)		
E-17-2	16		95001-45095-40	TUBE, FUEL, 4.5X95 (95001-45001-60M)	1	-	-----	VED7, VES6
					1	-	-----	1399404 VED3
	A		95001-45210-40	TUBE, FUEL, 4.5X210 (95001-45001-60M)	1	-	1399405 -----	VED3
E-28-1	15	L	87565-ZB4-A00	PLATE, FUEL INDICATION	1	-	-----	VED2, VED7, VES, VES6, VMT, VSG
					1	-	-----	1399404 VED3

NOTE A:PART NO. CHANGE D:NEWLY PROVIDED E:PART NO. DELETION K:REQUIRED NO. CORRECTION L:APPLICATION SERIAL NO. CORRECTION
T:APPLICATION CORRECTION Z:REMARKS CHANGE



PARTS CATALOGUE NEWS

Honda Motor Co., Ltd. Service Division

PARTS CATALOGUE - CORRECTED

Printed in Japan

CODE NO.	BOOKLET TYPE	13Z2F401
	MICRO- FICHE	13Z2F4EA/FA
PARTS CATALOGUE NEWS	GX160K1 [GCAAK-100]	
NEWS NO.	043	

Block No.	Ref. No.	Note	Part No.	Description	Reqd. QTY		Serial No.	Parts catalogue code
					GX 160K1 (1)	GX 160K1 (2)		
E-12	2	L	19610-ZE1-000ZC	COVER COMP., FAN *NH1*..... BLACK	1	(1)	----- 1317119	QX, Q1, SSK1, S1, VED, VED1, VED3, VED4, VED5, VED7, VSX, VSX1, VS3 VS4, VXD1
					1	-	-----	EMA2, HB24, HX2, LA1, QMC8, QMX2, QSC9, QWA4, QXC9, QX2, RH2, SG24 SMX4, SM12, SM14, SSS2, TX2, TX4, VED2, VED6, VEN2, VES6, VG24, VSD VWA2, VXD
			19610-ZE1-000ZL	*Y131*..... LIGHTNING YELLOW	1	-	-----	VED2
					1	-	----- 1317119	VS4
			19610-ZE1-000ZM	*T77*..... SEC WINE RED	1	-	----- 1317119	VSX1, VS3, VS4
			19610-ZE1-000ZN	*T80*..... BAKELITE ORANGE	1	-	----- 1317119	VSX, VS3, VS4
		L	19610-ZE1-000ZP	*R280*..... POWER RED	1	-	-----	BL, HG12, HHQ4, HH26, HXU, HX2, HX26, HX4, KTA, LHQ4, LVL, LW2, LXU LX2, LX26, LX4, NDM4, PHM, PX, PXU, QAX2, QA2, QA26, QBC2, QBT6, QCB2 QCL, QE, QFE4, QGR2, QGR9, QHQ4, QH2, QH26, Q12, QMC6, QMC8, QMD6 QME4, QMH, QMX2, QMZ2, QNT, QNT4, QPU, QSC9, QS2, QWA4, QXC6, QXC9 QXF2, QXS2, QXU, QX2, QX22, QX26, QX4, QX7, RD4, RHA2, RHQ4, RH2 RH26, RMB4, RMG2, RSK, RTB2, RXU, RX4, SDS, SD16, SD4, SE, SG24, SHM SHQ4, SMC7, SMC9, SMW2, SMX4, SM12, SM14, STQ, SXS4, SXU, SX4, SX7 S1CY, TCS2, TXC9, TXU, TX2, TX26, TX4, UXU, VA2, VED2, VGE4, VG24 VHA7, VHH4, VMS4, VMS7, VPM4, VPM5, VPM7, VPR4, VPR7, VSD, VSD7, VXU VXU1, VXW2, VX2, VX4, WDA6, WKD6, WKT2, WKT4, WKT6, WME2, WME4

NOTE A:PART NO. CHANGE D:NEWLY PROVIDED E:PART NO. DELETION K:REQUIRED NO. CORRECTION L:APPLICATION SERIAL NO. CORRECTION
T:APPLICATION CORRECTION Z:REMARKS CHANGE

PARTS CATALOGUE NEWS

BOOKNo. : 13Z2F401

Block No.	Ref. No.	Note	Part No.	Description	Reqd. QTY		Serial No.	Parts catalogue code
					GX 160K1 (1)	GX 160K1 (2)		
					1	-	----- 1317119	HH, HX, LD, LH, LHB3, LJ, LJC7, LJG, LJS, LSK, LX, NJ, NJG, NSJ, QAB3 QD, QH, QHP1, QP, QT, QVL, QX, QXC, QXM1, RD, RH, RMD, RSS1, RX, SCJ, SD SH, SJ, SJG, SMJ, SMJ1, SM11, SNX, SX, TX, VEBM, VED, VED1, VED3, VED4 VED7, VES, VMT, VSB1, VSG, VSW5, VSX, VSX1, VSX3, VS3, VTU1, VX, VXX VXM, WJP, WMBO, WMB1, WMK, WMT
					-	(1)	----- 1317119	
		T	19610-ZE1-010ZC	*NH1*..... BLACK	1	(1)	1317120 -----	QX, Q1, SSK1, S1, VED, VED1, VED3, VED4, VED5, VED7, VSX, VSX1, VS3 VS4, VXD1
		A	19610-ZE1-010ZL	*Y131*..... LIGHTNING YELLOW	1	-	1317120 -----	VS4
		A	19610-ZE1-010ZM	*T77*..... SEC WINE RED	1	-	1317120 -----	VSX1, VS3, VS4
		A	19610-ZE1-010ZN	*T80*..... BAKELITE ORANGE	1	-	1317120 -----	VSX, VS3, VS4
		T	19610-ZE1-010ZP	*R280*..... POWER RED	1	-	-----	SYA
					1	-	1317120 -----	HH, HX, LD, LH, LHB3, LJ, LJC7, LJG, LJS, LSK, LX, NJ, NJG, NSJ, QAB3 QD, QH, QHP1, QP, QT, QVL, QX, QXC, QXM1, RD, RH, RMD, RSS1, RX, SCJ, SD SH, SJ, SJG, SMJ, SMJ1, SM11, SNX, SX, TX, VEBM, VED, VED1, VED3, VED4 VED7, VES, VMT, VSB1, VSG, VSW5, VSX, VSX1, VSX3, VS3, VTU1, VX, VXX VXM, WJP, WMBO, WMB1, WMK, WMT
					-	(1)	1317120	

NOTE A:PART NO. CHANGE D:NEWLY PROVIDED E:PART NO. DELETION K:REQUIRED NO. CORRECTION L:APPLICATION SERIAL NO. CORRECTION
T:APPLICATION CORRECTION Z:REMARKS CHANGE

November 02, 2007



PARTS CATALOGUE NEWS

Honda Motor Co., Ltd. Service Division

Printed in Japan

CODE NO.	BOOKLET TYPE	13Z2F401
	MICRO- FICHE	13Z2F4EA/FA
PARTS CATALOGUE NEWS	GX160K1 [GCAAK-100]	
NEWS NO.	044	

GX160K1-RD2,SXE2,VED8,VED9,VSG2,VSW2,VSX2,VS2 AND WMK2 TYPES sales parts information

NOTE: This Parts Catalogue News explains only the parts of the different model that are produced to conform to addition of the GX160K1-RD2,SXE2,VED8,VED9,VSG2,VSW2,VSX2,VS2 and WMK2 types.

As for the parts not listed on this Parts Catalogue News, use the parts of the GX160K1-RD,SXE,VED4,VED7,VSG,VSW3,VSX1,VS3 and WMK types.

•Models, parts catalogue codes and applicable serial numbers

Model	Type		Parts catalogue type	Applicable engine serial No.	Applicable carburetor identification No.
GX160K1 (1)	RD	Base Type	RD	GCAAK- 1000001~	BE66E B
	RD2	Additional Type	RD2		BE65B B / C
	SXE	Base Type	SXE		BE65C B
	SXE2	Additional Type	SXE2		BE67A B
	VED4	Base Type	VED4		
	VED8	Additional Type	VED8		
	VED7	Base Type	VED7		
	VED9	Additional Type	VED9		
	VSG	Base Type	VSG		
	VSG2	Additional Type	VSG2		BE67A B
	VSW3	Base Type	VSW3		
	VSW2	Additional Type	VSW2		BE66E B
	VSX1	Base Type	VSX1		
	VSX2	Additional Type	VSX2		
	VS3	Base Type	VS3		
	VS2	Additional Type	VS2		
	WMK	Base Type	WMK		
	WMK2	Additional Type	WMK2		

•Features of each type		Base type	Additional type	Base type	Additional type	Base type	Additional type	Base type	Additional type	Base type	Additional type
		GX160K1									
Specifications		Model	Standard equipment (1)								
		Type	RD	RD2	SXE	SXE2	VED4	VED8	VED7	VED9	VSG
Crankshaft	19mm Ø Straight										
	20mm Ø Straight	●	●	●	●						
	20mm Ø Spline										
	21mm Ø Spline										
	23mm Ø Spline										
	24mm Ø Spline										
	M16 Stepped thread										
	M18 Stepped thread										
	1/2" Stepped thread										
	3/4" Thread										
	5/8" Thread										
	1/5" Tapered					●	●	●	●		
3/16" Tapered									●	●	
Coil	Lamp coil										
	Charge coil			●	●						
Control box				●	●						
Starter motor				●	●						
Oil alert				●	●			●	●	●	●
Reduction		●	●								

•Features of each type		Base type	Additional type	Base type	Additional type	Base type	Additional type	Base type	Additional type
Model		GX160K1							
	Type	Standard equipment (1)							
Specifications		VSW3	VSW2	VSX1	VSX2	VS3	VS2	WMK	WMK2
Crankshaft	19mm Ø Straight								
	20mm Ø Straight								
	20mm Ø Spline								
	21mm Ø Spline								
	23mm Ø Spline								
	24mm Ø Spline								
	M16 Stepped thread								
	M18 Stepped thread							●	●
	1/2" Stepped thread								
	3/4" Thread								
	5/8" Thread								
	1/5" Tapered								
3/16" Tapered	●	●	●	●	●	●			
Coil	Lamp coil								
	Charge coil								
Control box									
Starter motor									
Oil alert		●	●	●	●	●	●		
Reduction									

PARTS CATALOGUE NEWS

BOOKNo. : 13Z2F401

Block No.	Ref. No.	Part No.	Description	Reqd. QTY		Base Part No.	Parts catalogue code	
				GX 160K1 (1)	GX 160K1 (2)			
E-2	15	98079-55846	PLUG, SPARK (BPR5ES) (NGK)	(1)	-	98079-55846	VSX2	
		98079-55855	PLUG, SPARK (W16EPR-U) (DENSO)	(1)	-	98079-55855	VSX2	
E-3	18		O-RING, 14MM (NOK)	0	-	91353-671-004	VED8	
E-11-1	1		STARTER ASSY., RECOIL *Y131*..... LIGHTNING YELLOW	0	-	28400-ZB2-000ZE	VS2	
		2	CASE COMP., RECOIL STARTER *Y131*..... LIGHTNING YELLOW	0	-	28410-ZB2-000ZF	VS2	
E-11-3	1	28400-ZH8-023ZW	STARTER ASSY., RECOIL *T80*..... BAKELITE ORANGE	1	-	28400-ZH8-023ZT	VSX2	
		4	28410-ZH8-003ZW	CASE COMP., RECOIL STARTER *T80*..... BAKELITE ORANGE	1	-	28410-ZH8-003ZT	VSX2
E-12	2	19610-ZE1-010ZN	COVER COMP., FAN *T80*..... BAKELITE ORANGE	1	-	19610-ZE1-010ZM	VSX2	
		10	19640-ZH8-R60	SHROUD ASSY., UPPER	1	-	19640-ZB2-010	VSW2
		26	93500-05040-0G	SCREW, PAN, 5X40	1	-	93500-05035-0A	VSW2
E-15-4	9	95701-06010-00	BOLT, FLANGE, 6X10	1	-	95701-06008-00	VSG2, VS2	
E-16-1	8	18381-ZE1-800	GASKET, MUFFLER	1	-		VED9	
		13	95701-06012-00	BOLT, FLANGE, 6X12	5	-		VED9
E-17	17		TANK COMP., FUEL *Y131*..... LIGHTNING YELLOW	0	-	17510-ZE1-020ZK	VSX2	
			T77..... SEC WINE RED	0	-	17510-ZE1-030ZL	VSX2	
			R280..... POWER RED	0	-	17510-ZE1-030ZN	VSX2	
		36		CLIP, TUBE (B8)	0	-	95002-02080	VSG2
E-17-2	16	95001-45210-40	TUBE, FUEL, 4.5X210 (95001-45001-60M)	1	-	95001-45095-40	VED9	
E-22	7	16561-ZL0-U30	SPRING, GOVERNOR	1	-	16561-ZL0-000	VSX2	
			16561-ZL0-000	1	-	16561-ZL0-U30	VSW2
	9	16570-ZB2-000	CONTROL ASSY.	1	-	16570-ZK8-U30	VSX2	

PARTS CATALOGUE NEWS

BOOKNo. : 13Z2F401

Block No.	Ref. No.	Part No.	Description	Reqd. QTY		Base Part No.	Parts catalogue code
				GX 160K1 (1)	GX 160K1 (2)		
	27	93500-05035-0A	SCREW, PAN, 5X35	1	-	93500-05040-0G	VSX2
E-23	12	34150-ZH7-013	ALERT UNIT, OIL	1	-	34150-ZH7-003	SXE2
E-28	1		LABEL, CAUTION (ENGLISH, ETC.)	0	-	87522-ZH9-010	RD2, SXE2, VSX2
	7	87516-Z0D-800	MARK, OPERATOR CAUTION	1	-	87516-ZM7-801	VED8
		87516-Z0D-800	1	-	87522-ZH8-W41	WMK2
		87516-Z0D-800	1	-	87522-ZH9-010	RD2, SXE2, VSX2
	25	87516-Z0D-800	MARK, OPERATOR CAUTION	1	-		VSG2, VSW2, VS2
		87516-Z0D-800	1	-	87516-ZM7-801	VED9
E-28-1	6	87522-883-660	MARK, CAUTION (ENGLISH/FRENCH/SPANISH)	1	-		VED9
	15		PLATE, FUEL INDICATION	0	-	87565-ZB4-A00	VED9
E-40-6	8		ARRESTER, SPARK	0	-	18355-ZE1-000	VED9
	9		GASKET, MUFFLER	0	-	18381-ZE1-800	VED9
	35		NUT, FLANGE, 6MM	0	-	94050-06000	VED9, VSG2, VS2
	44	95701-06010-00	BOLT, FLANGE, 6X10	1	-		VSW2
	45		BOLT, FLANGE, 6X12	0	-	95701-06012-00	VED9, VSG2



PARTS CATALOGUE NEWS

Honda Motor Co., Ltd. Service Division

PARTS CATALOGUE - CORRECTED

Printed in Japan

CODE NO.	BOOKLET TYPE	13Z2F401
	MICRO-FICHE	13Z2F4EA/FA
PARTS CATALOGUE NEWS	GX160K1 [GCAAK-100]	
NEWS NO.	045	

Block No.	Ref. No.	Note	Part No.	Description	Reqd. QTY		Serial No.	Parts catalogue code
					GX 160K1 (1)	GX 160K1 (2)		
E-23	12	T	34150-ZH7-003	ALERT UNIT, OIL	1	-	-----	HXE2, HXE8, QKA4, QSC2, QXE2, QXE4, QXE6, QXE8, QXW, RXE2, RXE4, SXE4, VXE4, VXE7
		T	34150-ZH7-013	1	-	-----	QXE, RXE, SXE, SXE2
					-	(1)		

NOTE A:PART NO. CHANGE D:NEWLY PROVIDED E:PART NO.DELETION K:REQUIRED NO. CORRECTION L:APPLICATION SERIAL NO. CORRECTION
T:APPLICATION CORRECTION Z:REMARKS CHANGE



PARTS CATALOGUE NEWS

Honda Motor Co., Ltd. Service Division

PARTS CATALOGUE - CORRECTED

Printed in Japan

CODE NO.	BOOKLET TYPE	13Z2F401
	MICRO-FICHE	13Z2F4EA/FA
PARTS CATALOGUE NEWS	GX160K1 [GCAAK-100]	
NEWS NO.	046	

Block No.	Ref. No.	Note	Part No.	Description	Reqd. QTY		Serial No.	Parts catalogue code
					GX 160K1 (1)	GX 160K1 (2)		
E-28	7	E	87516-Z0D-800	*PARTS NO. DELETION				
	25	T	87516-Z0D-800	MARK, OPERATOR CAUTION	1	-	-----	RD2, SXE2, VED8, VED9, VSG2, VSW2, VSX2, VS2, WMK2

NOTE A:PART NO. CHANGE D:NEWLY PROVIDED E:PART NO.DELETION K:REQUIRED NO. CORRECTION L:APPLICATION SERIAL NO. CORRECTION
T:APPLICATION CORRECTION Z:REMARKS CHANGE



PARTS CATALOGUE NEWS

Honda Motor Co., Ltd. Service Division

PARTS CATALOGUE - CORRECTED

Printed in Japan

CODE NO.	BOOKLET TYPE	13Z2F401
	MICRO-FICHE	13Z2F4EA/FA
PARTS CATALOGUE NEWS	GX160K1 [GCAAK-100]	
NEWS NO.	047	

Block No.	Ref. No.	Note	Part No.	Description	Reqd. QTY		Serial No.	Parts catalogue code
					GX 160K1 (1)	GX 160K1 (2)		
E-28	7	D	87516-Z0D-800	MARK, OPERATOR CAUTION	1	-	-----	RD2, SXE2, VED8, VSX2, WMK2
	9	D	87516-Z0D-800	MARK, OPERATOR CAUTION	1	-	-----	VSG2
	25	T	87516-Z0D-800	MARK, OPERATOR CAUTION	1	-	-----	VED9, VSW2, VS2

NOTE A:PART NO. CHANGE D:NEWLY PROVIDED E:PART NO.DELETION K:REQUIRED NO. CORRECTION L:APPLICATION SERIAL NO. CORRECTION
T:APPLICATION CORRECTION Z:REMARKS CHANGE



PARTS CATALOGUE NEWS

Honda Motor Co., Ltd. Service Division

PARTS CATALOGUE - CORRECTED

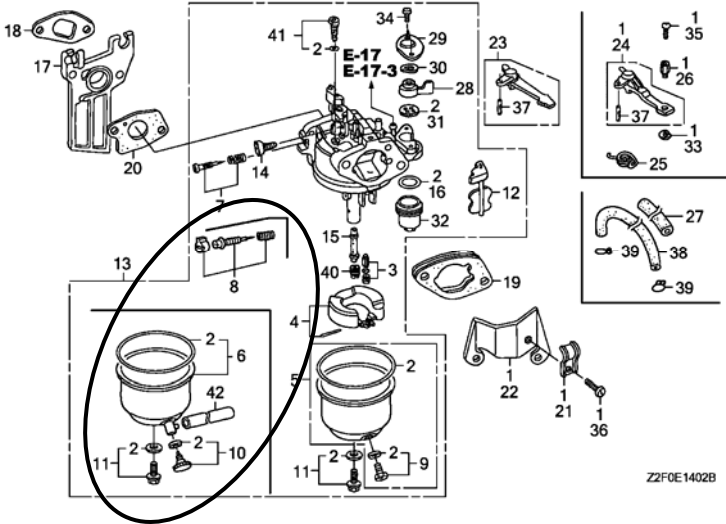
Printed in Japan

CODE NO.	BOOKLET TYPE	13Z2F401
	MICRO-FICHE	13Z2F4EA/FA
PARTS CATALOGUE NEWS	GX160K1 [GCAAK-100]	
NEWS NO.	048	

Block No.	Ref. No.	Note	Part No.	Description	Reqd. QTY	Serial No.	Parts catalogue code
					GX 160K1 (1)		

E-14-2 CARBURETOR (3)

ILLUSTRATION CORRECTED



NOTE A:PART NO. CHANGE D:NEWLY PROVIDED E:PART NO.DELETION K:REQUIRED NO. CORRECTION L:APPLICATION SERIAL NO. CORRECTION T:APPLICATION CORRECTION Z:REMARKS CHANGE



PARTS CATALOGUE NEWS

Honda Motor Co., Ltd. Service Division

PARTS CATALOGUE - CORRECTED

Printed in Japan

CODE NO.	BOOKLET TYPE	13Z2F401
	MICRO-FICHE	13Z2F4EA/FA
PARTS CATALOGUE NEWS	GX160K1 [GCAAK-100]	
NEWS NO.	049	

Block No.	Ref. No.	Note	Part No.	Description	Reqd. QTY		Serial No.	Parts catalogue code
					GX 160K1 (1)	GX 160K1 (2)		
E-11-1	1		28400-ZB2-000ZD	STARTER ASSY., RECOIL				
				NH1..... BLACK	1	-	----- 1467744	VS2, VS3, VS4
			28400-ZB2-000ZE	*Y131*..... LIGHTNING YELLOW	1	-	----- 1467744	VS3, VS4
			28400-ZB2-000ZF	*T77*..... SEC WINE RED	1	-	----- 1467744	VS2, VS3, VS4
			28400-ZB2-000ZG	*T80*..... BAKELITE ORANGE	1	-	----- 1467744	VS2, VS3, VS4
			28400-ZB2-000ZH	*R280*..... POWER RED	1	-	----- 1467744	VS1, VSG, VSG2, VS2, VS3
	A		28400-ZB2-003ZA	*NH1*..... BLACK	1	-	1467745 -----	VS2, VS3, VS4
	A		28400-ZB2-003ZB	*R280*..... POWER RED	1	-	1467745 -----	VS1, VSG, VSG2, VS2, VS3
	A		28400-ZB2-003ZC	*T77*..... SEC WINE RED	1	-	1467745 -----	VS2, VS3, VS4
	A		28400-ZB2-003ZD	*T80*..... BAKELITE ORANGE	1	-	1467745 -----	VS2, VS3, VS4
	A		28400-ZB2-003ZE	*Y131*..... LIGHTNING YELLOW	1	-	1467745 -----	VS3, VS4

NOTE A:PART NO. CHANGE D:NEWLY PROVIDED E:PART NO. DELETION K:REQUIRED NO. CORRECTION L:APPLICATION SERIAL NO. CORRECTION
T:APPLICATION CORRECTION Z:REMARKS CHANGE



PARTS CATALOGUE NEWS

Honda Motor Co., Ltd. Service Division

PARTS CATALOGUE - CORRECTED

Printed in Japan

CODE NO.	BOOKLET TYPE	13Z2F401
	MICRO- FICHE	13Z2F4EA/FA
PARTS CATALOGUE NEWS	GX160K1 [GCAAK-100]	
NEWS NO.	050	

Block No.	Ref. No.	Note	Part No.	Description	Reqd. QTY		Serial No.	Parts catalogue code
					GX 160K1 (1)	GX 160K1 (2)		
E-3	16	D	91001-Z1T-003	BEARING, RADIAL BALL, 6205 (NSK)	1	-	-----	HH, HX, KR, LD, LH, LJ, LJC7, LJG, LJS, LSK, LX, NJ, NJC1, NJG, NSJ, QD QH, QNZ, QVL, QX, QXC, QXE, QXM1, RD, RD2, RH, RMD, RSS1, RX, SCJ, SD SH, SJ, SJC1, SJC5, SJG, SKM, SMJ, SMJ1, SM11, SNX, SNX1, SSK1, ST STM, SX, SXE, SXE2, SYA, VEBM, VED, VED1, VED3, VED4, VED5, VED7 VED8, VED9, VES, VMT, VSB1, VSG, VSG2, VSW2, VSW3, VSW5, VSW6, VSX VSX1, VSX2, VS2, VS3, VS4, VX, VXD1, VXK, VXM, WJP, WMBO, WMB1, WMK WMK2, WMT
					-	1		

NOTE A:PART NO. CHANGE D:NEWLY PROVIDED E:PART NO.DELETION K:REQUIRED NO. CORRECTION L:APPLICATION SERIAL NO. CORRECTION
T:APPLICATION CORRECTION Z:REMARKS CHANGE



PARTS CATALOGUE NEWS

Honda Motor Co., Ltd. Service Division

PARTS CATALOGUE - CORRECTED

Printed in Japan

CODE NO.	BOOKLET TYPE	13Z2F401
	MICRO- FICHE	13Z2F4EA/FA
PARTS CATALOGUE NEWS	GX160K1 [GCAAK-100]	
NEWS NO.	051	

Block No.	Ref. No.	Note	Part No.	Description	Reqd. QTY		Serial No.	Parts catalogue code	
					GX 160K1 (1)	GX 160K1 (2)			
E-28	15	L	87532-ZH8-000	MARK, OIL ALERT	1	-	-----	LA1, VXD	
					1	-	-----	1478526	LJC7, QXM1, SJC1, SJC5, SMJ, SMJ1, SNX, SNX1, VED5, VXD1
					1	-	-----		HG12, HXE2, HXE8, HXU, HX2, HX26, LXU, LX2, LX26, PX, PXU, QAX2, QBT6, QCL, QGR2, QGR9, Q12, QMH, QMX2, QSC2, QSC9, QS2, QWA4, QWX2, QXC6, QXC9, QXE2, QXE6, QXE8, QXF2, QXS2, QXU, QX2, QX22, QX26, RXE, RXE2, RXU, SG24, SMW2, SM12, SSS2, SWX2, SXS4, SXU, TCS2, TX, TXC9, TXU, TX2, TX26, UXU, VA2, VED6, VG24, VTU1, VWA2, VW12, VXU, VXU1, VXW2, VX2, WKD6, WKT2, WME2
				87532-ZH8-810	MARK, OIL ALERT (ENGLISH)	1	-	-----	
		A		87530-ZL8-810	MARK, OIL ALERT	1	-	1478075	HX, LX, QX, QXC, QXE, RX, SX, SXE, SXE2, VEBM, VED1, VX, VXM, WMT
		A		87530-ZL8-850	MARK, OIL ALERT (ENGLISH)	1	-	1478527	LJC7, QXM1, SJC1, SJC5, SMJ, SMJ1, SNX, SNX1, VED5, VXD1
		A		87530-ZL8-850	1	-	1478076	HX, LX, QX, QXC, QXE, RX, SX, SXE, SXE2, VEBM, VED1, VX, VXM, WMT
16			87532-ZH8-810	MARK, OIL ALERT (ENGLISH)	1	-	-----	VXS3	
					1	-	-----	1478075	VSX, VSX1, VSX2
					1	-	-----	1478076	VSX, VSX1, VSX2

NOTE A:PART NO. CHANGE D:NEWLY PROVIDED E:PART NO.DELETION K:REQUIRED NO. CORRECTION L:APPLICATION SERIAL NO. CORRECTION
T:APPLICATION CORRECTION Z:REMARKS CHANGE



PARTS CATALOGUE NEWS

Honda Motor Co., Ltd. Service Division

PARTS CATALOGUE - CORRECTED

Printed in Japan

CODE NO.	BOOKLET TYPE	13Z2F401
	MICRO- FICHE	13Z2F4EA/FA
PARTS CATALOGUE NEWS	GX160K1 [GCAAK-100]	
NEWS NO.	052	

Block No.	Ref. No.	Note	Part No.	Description	Reqd. QTY		Serial No.	Parts catalogue code
					GX 160K1 (1)	GX 160K1 (2)		
E-14-4	22	E	99101-ZF5-0650	*PARTS NO. DELETION				
		E	99101-ZF5-0680	*PARTS NO. DELETION				
		E	99101-ZF5-0700	*PARTS NO. DELETION				
	D	99101-ZH8-0650	JET, MAIN, #65	(1) -	-----	-----	NJC1	
	D	99101-ZH8-0680	JET, MAIN, #68	(1) -	-----	-----	NJC1	
	D	99101-ZH8-0700	JET, MAIN, #70	1 -	-----	-----	NJC1	

NOTE A:PART NO. CHANGE D:NEWLY PROVIDED E:PART NO.DELETION K:REQUIRED NO. CORRECTION L:APPLICATION SERIAL NO. CORRECTION
T:APPLICATION CORRECTION Z:REMARKS CHANGE



PARTS CATALOGUE NEWS

Honda Motor Co., Ltd. Service Division

PARTS CATALOGUE - CORRECTED

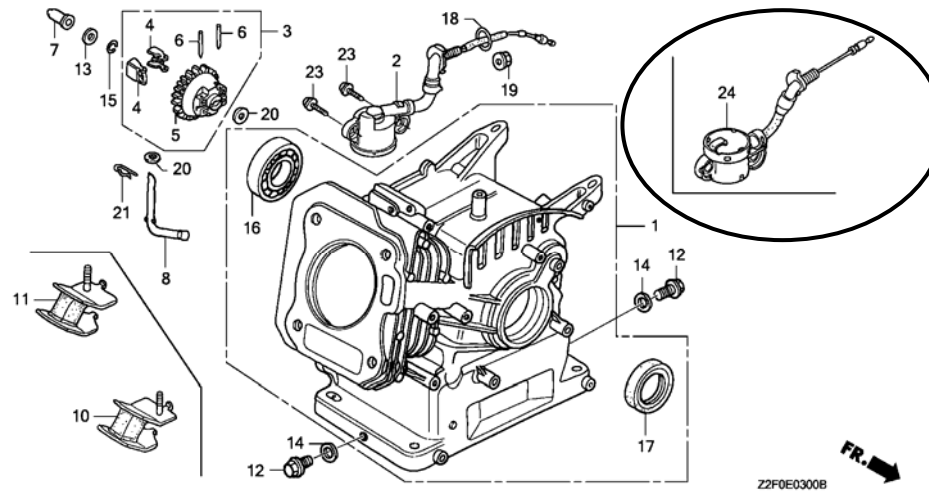
Printed in Japan

CODE NO.	BOOKLET TYPE	13Z2F401
	MICRO-FICHE	13Z2F4EA/FA
PARTS CATALOGUE NEWS	GX160K1 [GCAAK-100]	
NEWS NO.	053	

Block No.	Ref. No.	Note	Part No.	Description	Reqd. QTY		Serial No.	Parts catalogue code
					GX 160K1 (1)	GX 160K1 (2)		

E-3 CYLINDER BARREL

Ref. No.	(Relative ref. Number)	Description	FRT
2	(18, 24)	SWITCH, OIL LEVEL	0.5
6151E8			



E-3	2	L	15510-ZE1-043	SWITCH ASSY., OIL LEVEL	1	-	1513849	SXE2, VED9, VSG2, VSW2, VSX2, VS2
-----	---	---	---------------	-------------------------------	---	---	---------	-----------------------------------

NOTE A:PART NO. CHANGE D:NEWLY PROVIDED E:PART NO.DELETION K:REQUIRED NO. CORRECTION L:APPLICATION SERIAL NO. CORRECTION
T:APPLICATION CORRECTION Z:REMARKS CHANGE

PARTS CATALOGUE NEWS

BOOKNo. : 13Z2F401

Block No.	Ref. No.	Note	Part No.	Description	Reqd. QTY		Serial No.		Parts catalogue code
					GX 160K1 (1)	GX 160K1 (2)			
					1	-	1359762	1513849	HX, LJC7, LX, QX, QXC, QXE, QXM1, RX, SJC1, SJC5, SKM, SMJ, SMJ1, SNX, SNX1, SX, SXE, VEBM, VED1, VED3, VED5, VED7, VES, VMT, VSB1, VSG, VSW3, VSW5, VSW6, VSX, VSX1, VS3, VS4, VX, VXD1, VXX, VXM, WMT
					-	(1)	1359762		
	24	D	35480-Z0T-003	SWITCH ASSY., OIL LEVEL	1	-	1513850	-----	HX, LJC7, LX, QX, QXC, QXE, QXM1, RX, SJC1, SJC5, SKM, SMJ, SMJ1, SNX, SNX1, SX, SXE, SXE2, VEBM, VED1, VED3, VED5, VED7, VED9, VES, VMT, VSB1, VSG, VSG2, VSW2, VSW3, VSW5, VSW6, VSX, VSX1, VSX2, VS2, VS3, VS4, VX, VXD1, VXX, VXM, WMT

NOTE A:PART NO. CHANGE D:NEWLY PROVIDED E:PART NO.DELETION K:REQUIRED NO. CORRECTION L:APPLICATION SERIAL NO. CORRECTION
T:APPLICATION CORRECTION Z:REMARKS CHANGE

September 22, 2008



PARTS CATALOGUE NEWS

Honda Motor Co., Ltd. Service Division

PARTS CATALOGUE - CORRECTED

Printed in Japan

CODE NO.	BOOKLET TYPE	13Z2F401
	MICRO-FICHE	13Z2F4EA/FA
PARTS CATALOGUE NEWS	GX160K1 [GCAAK-100]	
NEWS NO.	054	

Block No.	Ref. No.	Note	Part No.	Description	Reqd. QTY		Serial No.	Parts catalogue code
					GX 160K1 (1)	GX 160K1 (2)		
PARTS NAME CORRECTED								
E-40-1	2	Z	21111-766-000	CASE, TRANSMISSION	1	-	-----	QFE4
	3	Z	21210-766-000	CASE COMP., TRANSMISSION ...	1	-	-----	QFE4

NOTE A:PART NO. CHANGE D:NEWLY PROVIDED E:PART NO. DELETION K:REQUIRED NO. CORRECTION L:APPLICATION SERIAL NO. CORRECTION
T:APPLICATION CORRECTION Z:REMARKS CHANGE



PARTS CATALOGUE NEWS

Honda Motor Co., Ltd. Service Division

PARTS CATALOGUE - CORRECTED

Printed in Japan

CODE NO.	BOOKLET TYPE	13Z2F401
	MICRO-FICHE	13Z2F4EA/FA
PARTS CATALOGUE NEWS	GX160K1 [GCAAK-100]	
NEWS NO.	055	

Block No.	Ref. No.	Note	Part No.	Description	Reqd. QTY		Serial No.	Parts catalogue code
					GX 160K1 (1)	GX 160K1 (2)		
E-12	2	E	19610-ZB6-000	*PARTS NO. DELETION				
		D	19610-ZB6-010	COVER COMP., FAN	1	-	-----	NJC1

NOTE A:PART NO. CHANGE D:NEWLY PROVIDED E:PART NO. DELETION K:REQUIRED NO. CORRECTION L:APPLICATION SERIAL NO. CORRECTION
T:APPLICATION CORRECTION Z:REMARKS CHANGE